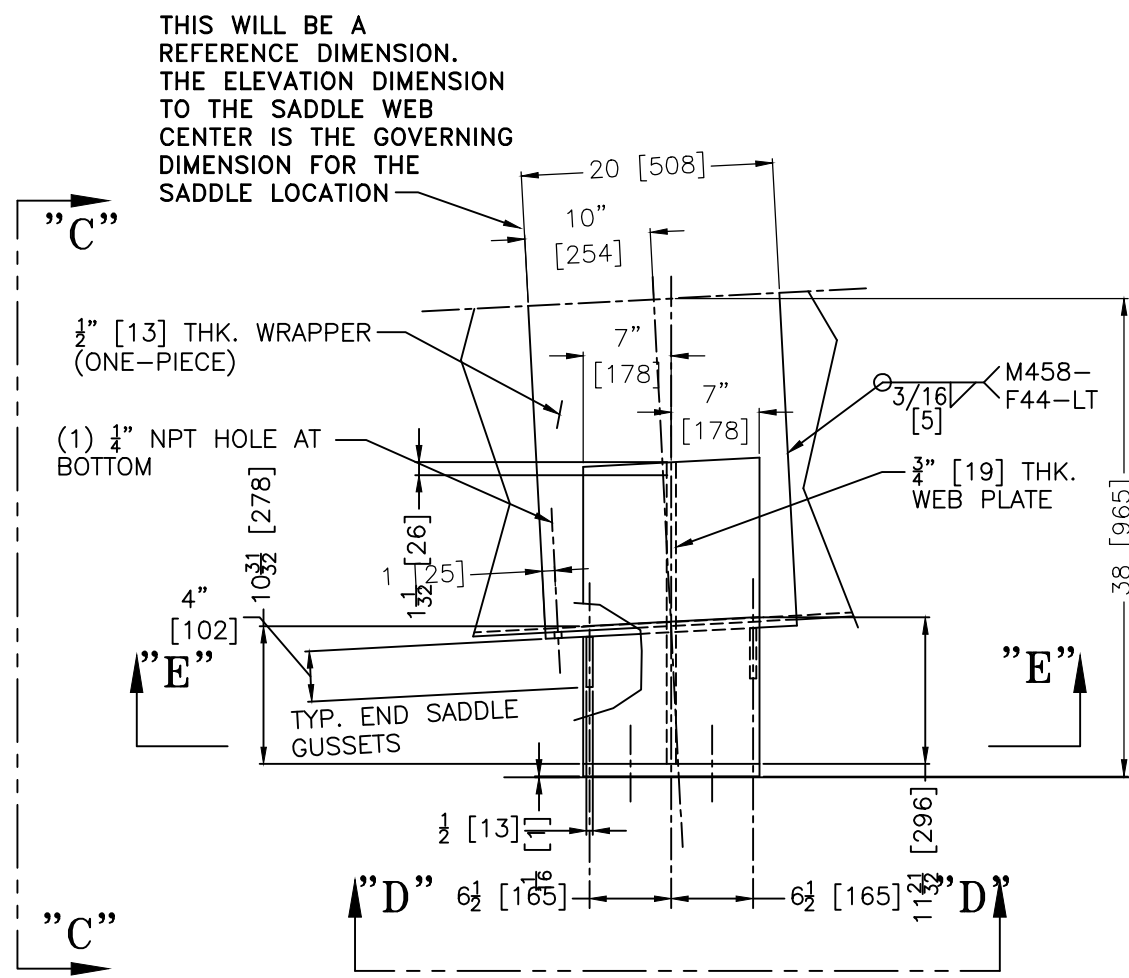


NOTE TO SHI: THIS IS AN ARBITRARY DIMENSION TO GENERATE REFERENCE HEIGHTS OF CRITICAL NOZZLES/SADDLES FROM A LINE PARALLEL TO THE SHIP'S HULL

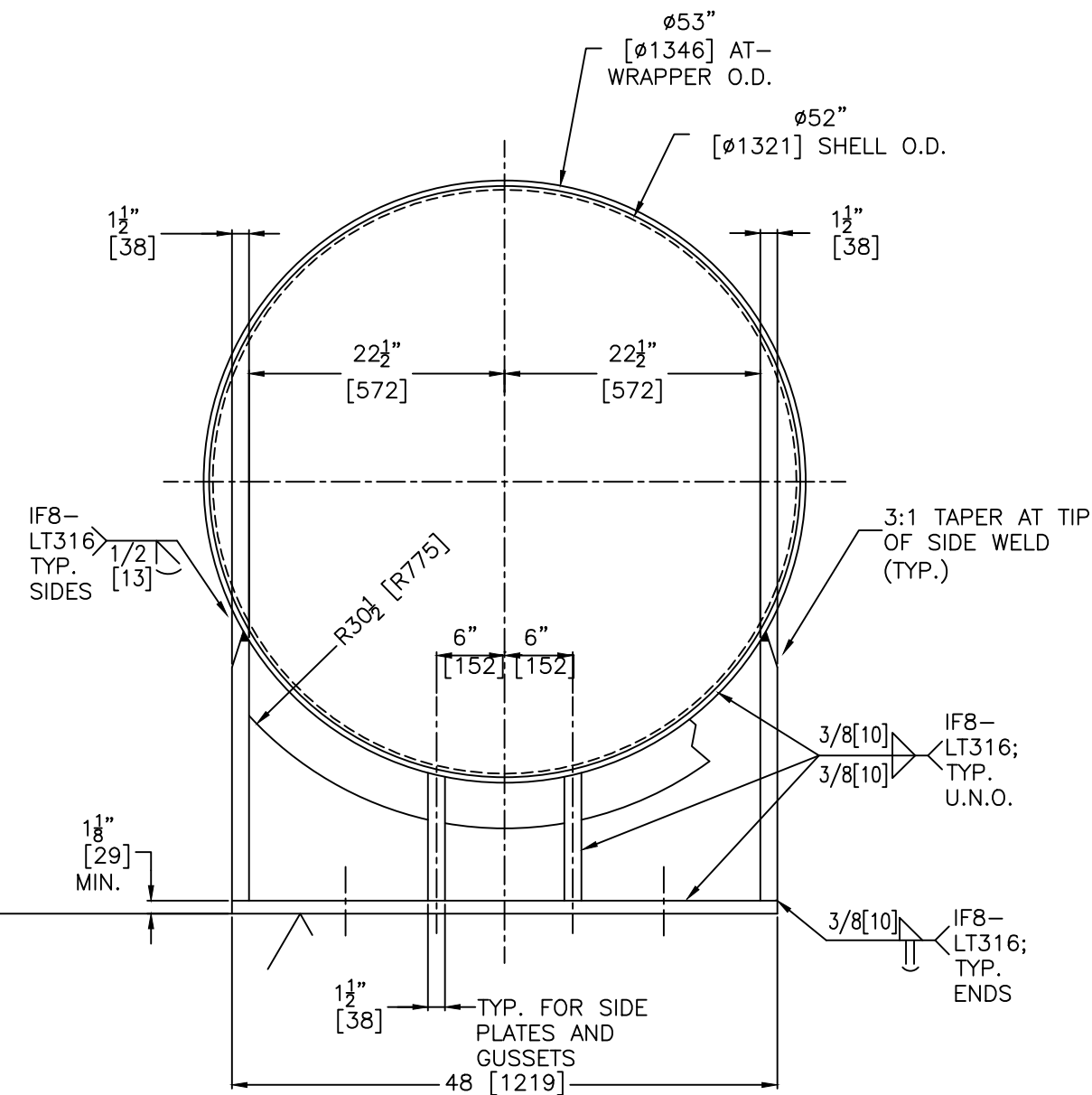
DIMENSION REFERENCE LINES; HORIZONTAL LINE LOCATION IS ARBITRARY

**ELEVATION**

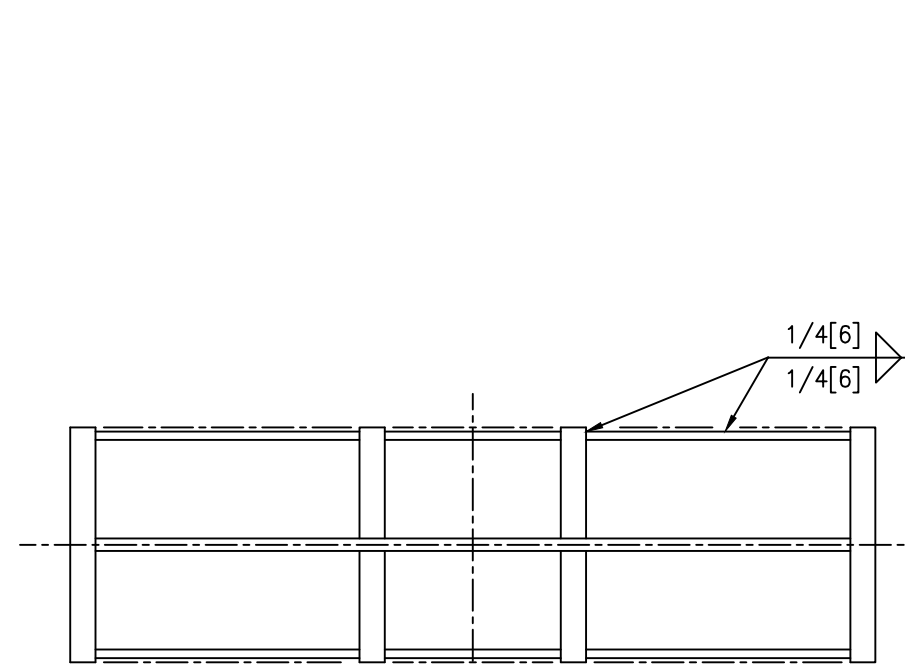
SCALE: 3/8" = 1'-0"



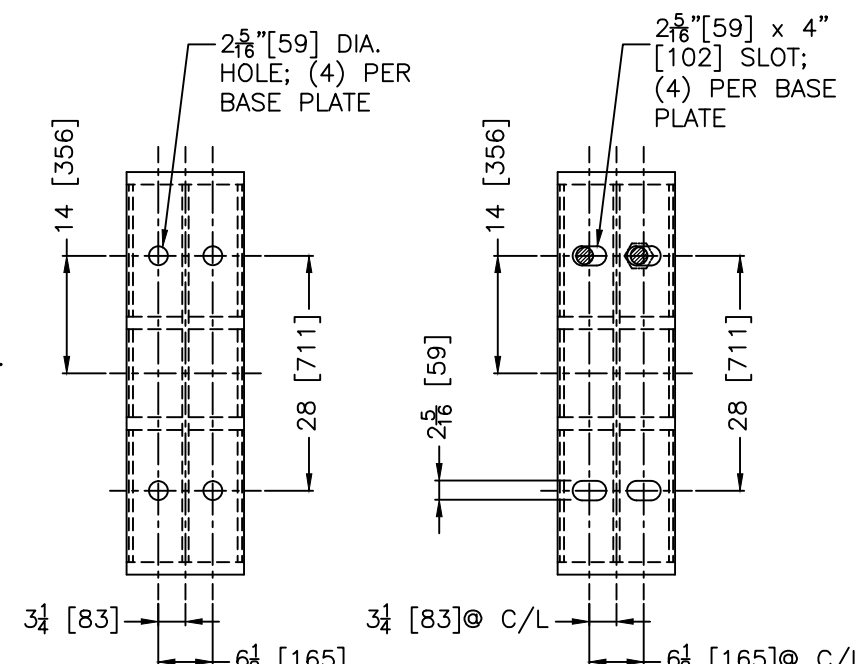
**SADDLE DETAILS**  
ALL DIMENSIONS ARE TYPICAL BOTH SADDLES



**SADDLES PER VIEW C-C**



**SECTION E-E**  
SHOWING ADDED END GUSSETS



**VIEW D-D**  
LOWER SADDLE: HOLES  
**VIEW D-D**  
UPPER SADDLE: SLOTS

**AS-BUILT**

P.O. NUMBER: P10HA00052 --- H2056	
ITEM NO.: E-101A THROUGH F	
NO.	DESCRIPTION
Δ	CORRECTED LLC NOTATION.
DATE	16 DEC 2013 J.A.P.

WORK THIS DWG. WITH DWG. L13-077-A.

**KOPETZ MFG., LLC**

1500 N. COUNTRY CLUB RD.  
DECATUR, IL 62521  
TELEPHONE (217) 422-5638  
FAX (217) 425-4921  
e-mail: info@kopetzmf.com

(6) 52-648 LNG VAPORIZERS  
[125 barG] IN-SERVICE ARRANGEMENT  
SAMSUNG HEAVY INDUSTRIES - GOLAR

DWN: J.A.P.	SHOP ORDER NO. 13-077	REV.
CHKD: R.D.F.		
DATE: 12 NOV. 2013	<b>L13-077-B</b>	<b>1</b>