

1. ALL PIPES ARE SIZED TO ENSURE THE FLOW VELOCITIES ARE BETWEEN 0.75 AND 3.75 m/s.
2. ALL ITEMS SHOWN SUPPLIED AS LOOSE COMPONENTS.
3. SHIPYARD TO INSTALL.
4. ALL FLANGES JIS 10K.
5. ALL PIPING AND CABLE TO BE SUPPLIED AND INSTALLED BY OTHERS.
6. 316SS/TRAFFOLYTE TAG NO. LABELS CAN BE SUPPLIED BY SIEMENS (CLIENT TO ADVISE MATERIAL AND NUMBERING).
7. EFFECTIVE TREATMENT ASSUMES ONE OFF DOSING LINE TO BE OPERATING AT ANY ONE TIME:-
 F VALVE 'Z1' IS OPEN THEN 'Z2' IS CLOSED.
 F VALVE 'Z2' IS OPEN THEN 'Z1' IS CLOSED.
 VALVE 'X' AND 'Z' ADJUSTS FLOW RATE.
8. ENCLOSURES/ EQUIPMENT TO BE SUPPLIED PAINTED AS FOLLOWS:-

GENERAL

- FLOW REQUIRED : 11m³/h NOMINAL
 ELECTROLYSER : 2 x 100%
 PRESSURE AT INLET : 0.5 TO 1 barg
 PRESSURE MIN. OPERATING : 4.5 barg (ELECTROLYSER)
 PRESSURE MAX. DESIGN : 8 barg (ELECTROLYSER)
 TEMP. SUPPLY SEAWATER : 32°C MAX.
 TEMP. DESIGN SEAWATER : 40°C MAX.
 TEMP. DESIGN AMBIENT : 50°C MAX.
 PIPING MATERIAL : CS (PE LINED)
 CHLORIDE CONC. SEAWATER : 19g/l (TYPICAL)
 CAPACITY ELECTROLYSER : 24000m³/h (TREATABLE) AT 0.5ppm

TRANSFORMER/RECTIFIER (SB6K)

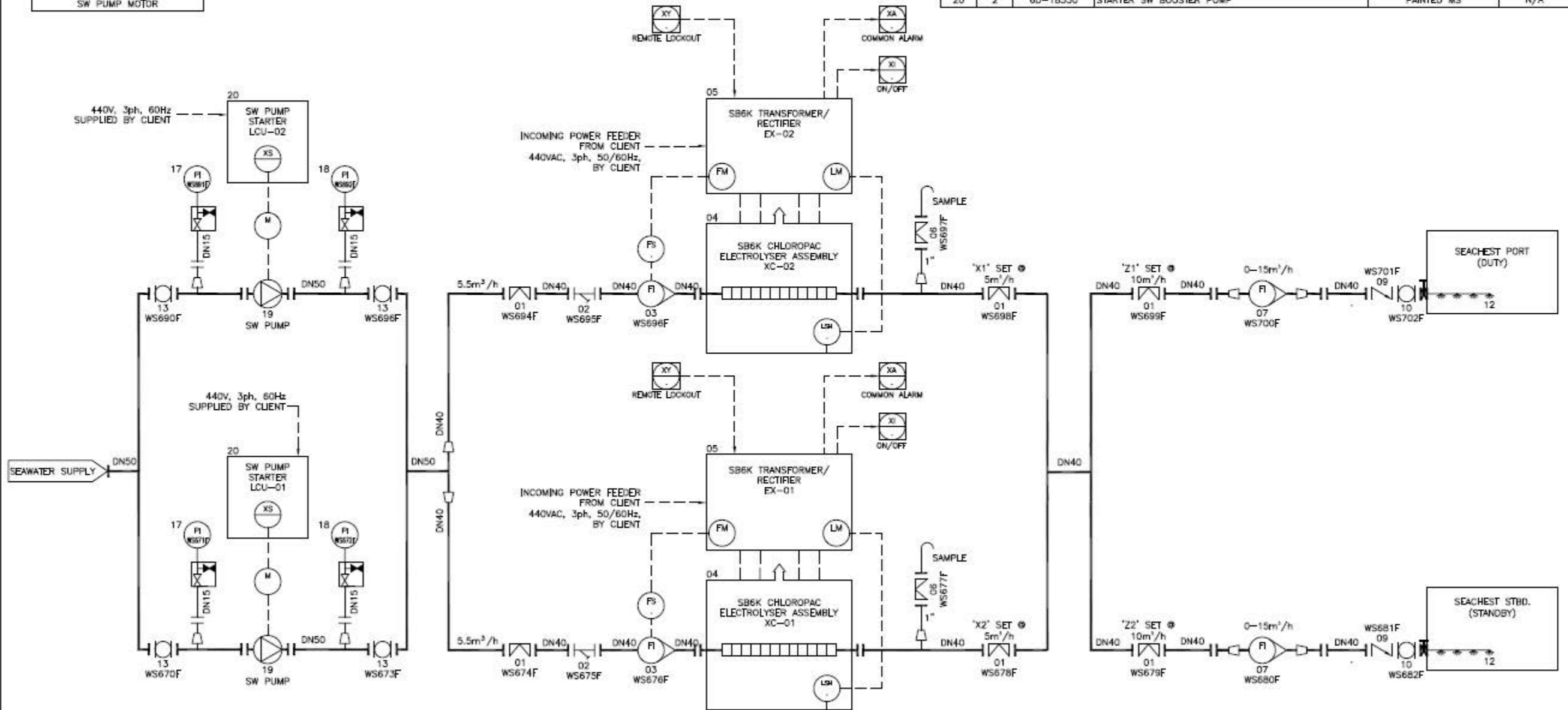
- POWER CONSUMPTION : 52kW
 OUTPUT : 90VDC, 440A

SW BOOSTER PUMP (2 x 100%)

- NPSH REQUIRED : 9m³/h
 DUTY FLOW RATE : 9m³/h
 HEAD @ DUTY FLOW RATE : 54m
 HEAD (MAX. CLOSED VALVE) : 62m

MUNSELL BG 7/2 (BLUE/GREEN)
TRANSFORMER/RECTIFIER
SW PUMP STARTER
SW PUMP MOTOR

ITEM	QTY.	DRG. NO.	DESCRIPTION	MATERIAL	PRESS. DROP (bar)
01	6	6D-16982	VALVE DIAPHRAGM DN40 JIS 10K	CI RUBBER LINED	0.05
02	2	6D-18278	STRAINER, SINGLE BASKET, DN40 DRILLED JIS 10K	BRONZE/MONEL	0.10
03	2	6D-18328	FLOWSWITCH ASSY. DN40 JIS 10K	CPVC	0.10
04	2	6D-18345	SB6K HYPO ELECTROLYSER ASSY DN40 JIS 10K	Ti/ABS/316SS	3.50
05	2	6D-17636	SB6K TRANSFORMER/RECTIFIER	PAINTED MS	N/A
06	2	6D-16980	VALVE DIAPHRAGM DN25 JIS 10K	CI RUBBER LINED	N/A
07	2	6D-18325	FLOW INDICATOR ASSY. 0-15m ³ /h DN40 JIS 10K	PA/PVDF/CPVC	0.01
09	2	6D-17750	VALVE CHECK DN40 JIS 10K	CS PFA LINED	0.10
10	2	6D-18320	VALVE SHIPSIDE DN40 JIS 10K	DI FEP LINED	0
12	2	6D-18342	DISPERSAL PIPE DN40 JIS 10K 1850mm LG CUST. 2	TITANIUM	N/A
13	4	6D-18344	VALVE BALL DN50 JIS 10K	DI FEP LINED	0
17	2	6D-18144	PRESSURE INDICATOR 0-2.5BAR C/W 2-WAY MANIFOLD	ALLOY 400/316	N/A
18	2	6D-18144	PRESSURE INDICATOR 0-10BAR C/W 2-WAY MANIFOLD	ALLOY 400/316	N/A
19	2	6D-18343	PUMP SW BOOSTER DN50 JIS 10K	TITANIUM	N/A
20	2	6D-18350	STARTER SW BOOSTER PUMP	PAINTED MS	N/A



<p>DESIGNER: CL DATE: 23.01.12</p> <p>CHECKER: NF DATE: 27.01.12</p> <p>ENGINEER: NF DATE: 27.01.12</p> <p>MANAGER: NF DATE: 27.01.12</p> <p>FILE: .</p> <p>SCALE: .</p>	<p>TITLE: P & I DIAGRAM</p> <p>SB6K ELECTROCHLORINATION SYSTEM</p> <p>HULL 2031</p> <p>CLIENT: GOLAR FSRU</p> <p>SAMSUNG HEAVY INDUSTRIES</p> <p>SIEMENS Water Technologies</p> <p>ELECTROCATALYTIC</p> <p>+44 (0) 1291 426500</p> <p>PROJECT: 70PO-02727</p> <p>CODE: .</p> <p>DRAWING: 6D-18302</p> <p>SHEET: 1 of 1</p> <p>REV: C</p>
--	---

STD: BORDER-0106-564x841A1 INTL REF: BAR = 25mm AT PLOT SCALE

REV	DESCRIPTION	DATE	DWN	CHKD	APVD	ECN
C	TREATABLE VOLUME WAS 10000.	20.02.12	CL	SCE	NF	
B	CUSTOMER COMMENTS.	01.02.12	CL	NF	CWH	

THIS DOCUMENT AND ALL INFORMATION CONTAINED HEREIN ARE THE PROPERTY OF SIEMENS AND/OR ITS SUPPLIERS. THE DESIGN, CONSTRUCTION AND OPERATION OF THE SYSTEM DESCRIBED IN THIS DOCUMENT IS THE RESPONSIBILITY OF SIEMENS. SIEMENS SHALL NOT BE LIABLE FOR ANY DAMAGE, LOSS OR INJURY TO PERSONS OR PROPERTY ARISING FROM THE USE OF THIS DOCUMENT OR THE SYSTEM DESCRIBED HEREIN. ALL INFORMATION CONTAINED HEREIN IS UNCLASSIFIED EXCEPT WHERE SHOWN OTHERWISE. THIS DOCUMENT IS UNCLASSIFIED EXCEPT WHERE SHOWN OTHERWISE. THIS DOCUMENT IS UNCLASSIFIED EXCEPT WHERE SHOWN OTHERWISE. THIS DOCUMENT IS UNCLASSIFIED EXCEPT WHERE SHOWN OTHERWISE.