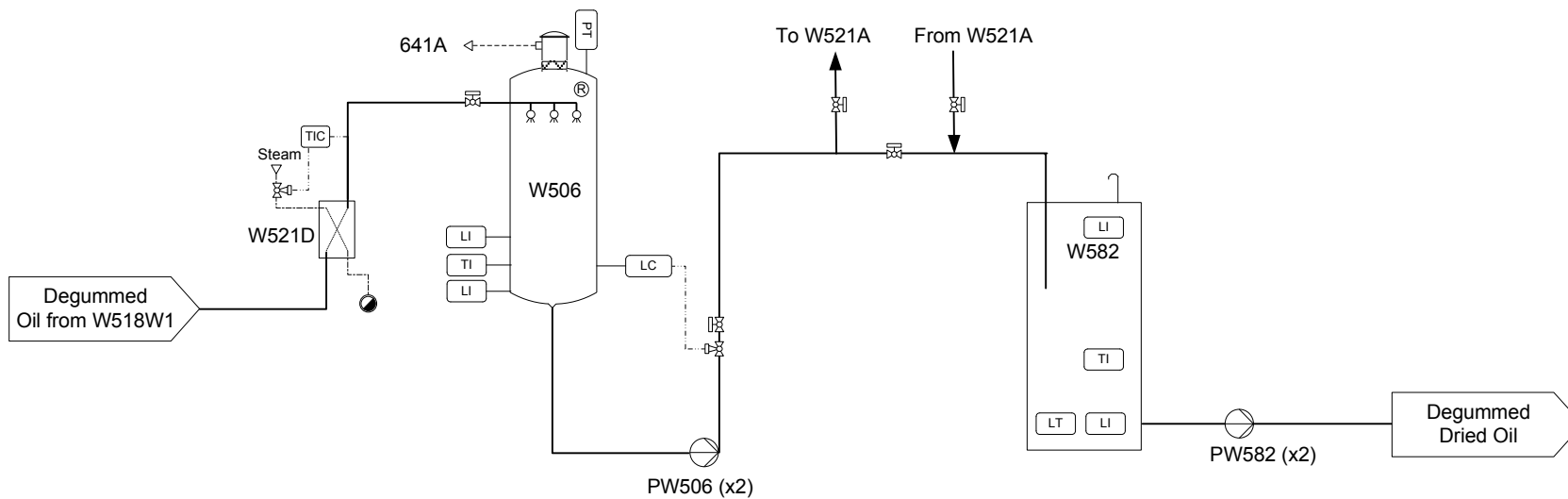
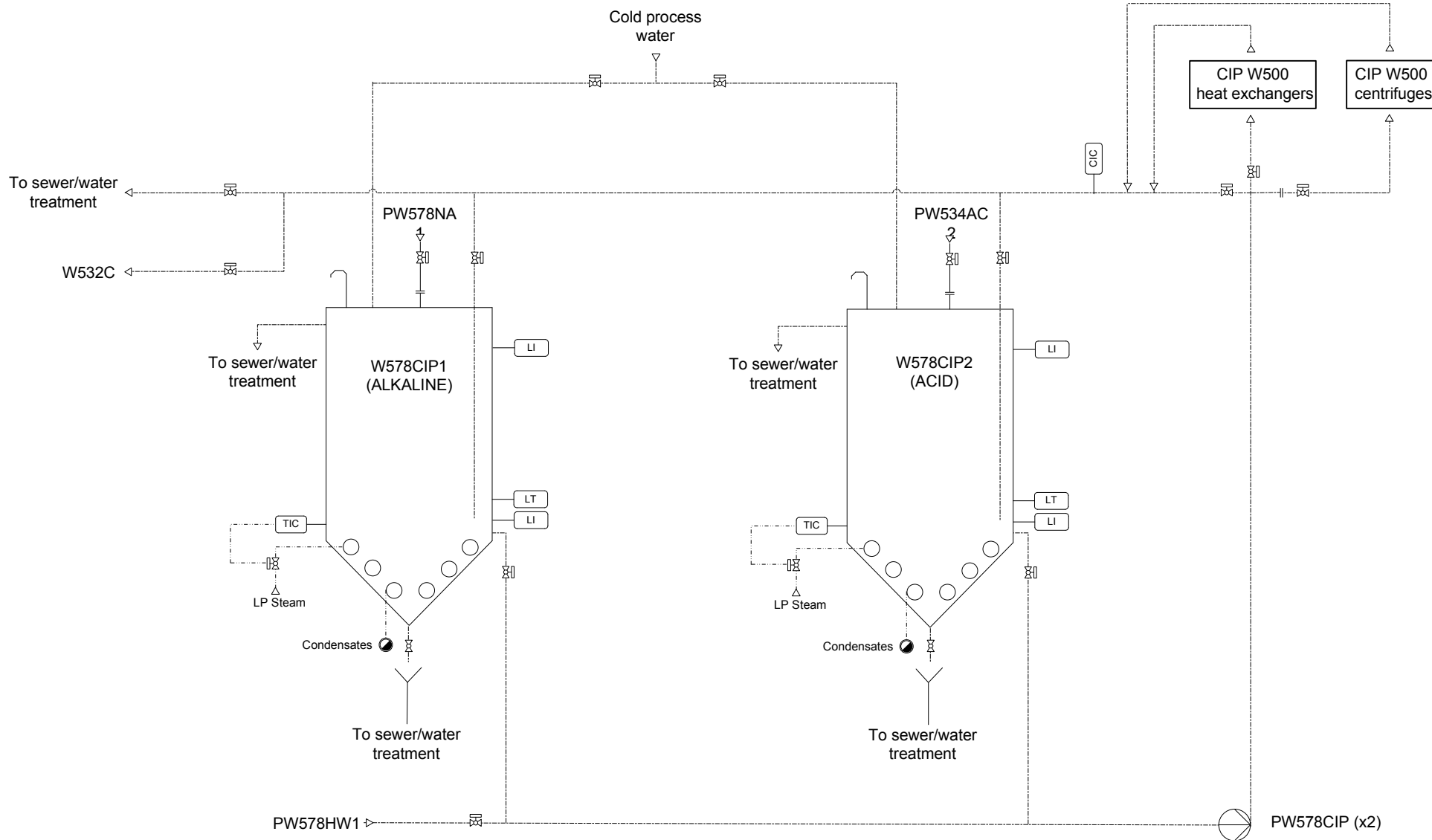


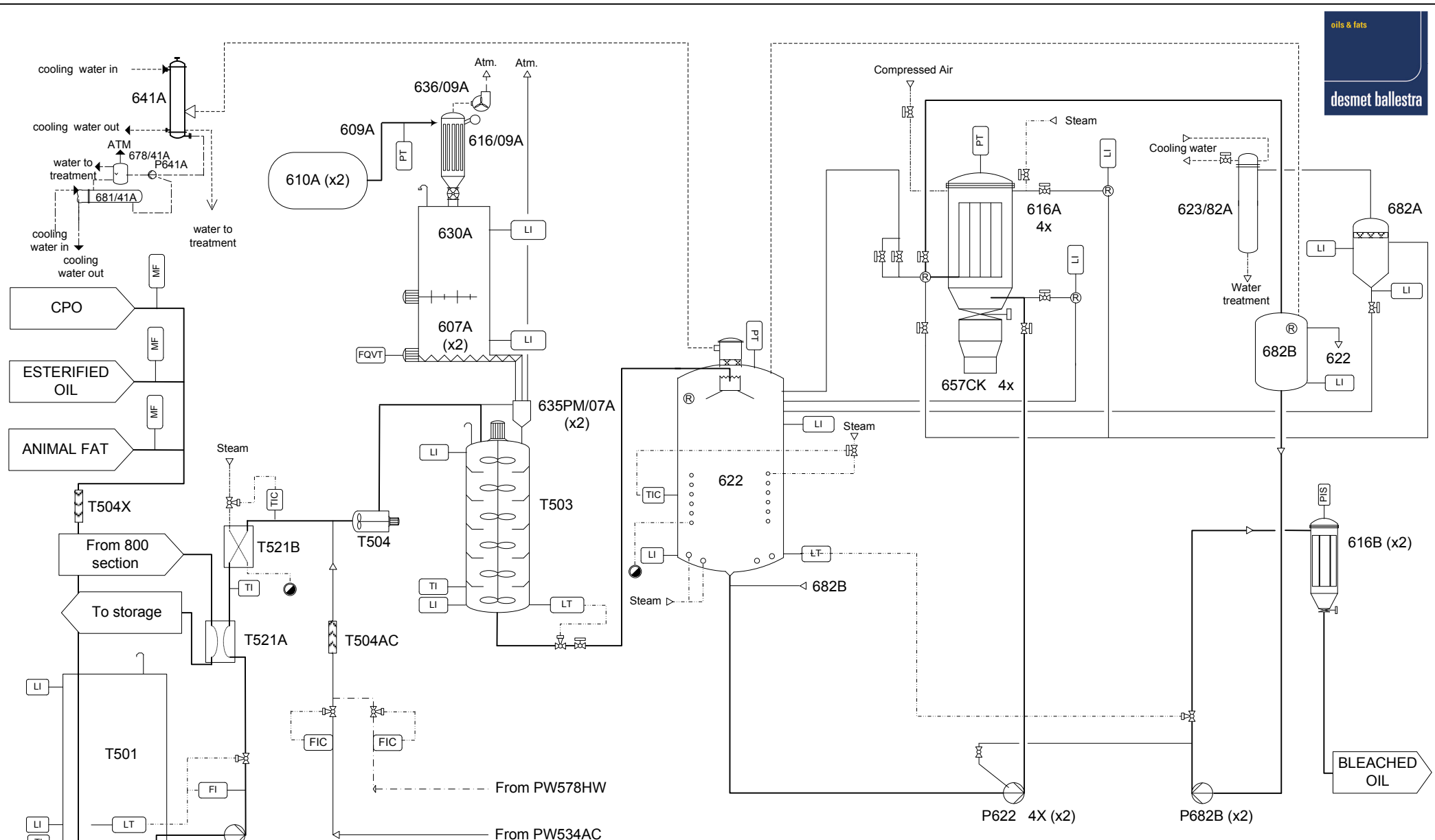
DE SMET BALLESTRA GROUP			
PROJECT	ENI_ITALY		
DESCRIPTION	Section W500 – ACID DEGUMMING - Automated plant		
ITEM	W598	FILENAME	ENI_W500_17052013.vsd



DE SMET BALLESTRA GROUP			
PROJECT	ENI _ITALY		
DESCRIPTION	Oil drying & Vacuum System Automated plant - W500 Options		
ITEM	W598	FILENAME	ENI_W500 Oil drying_17052013.vsd

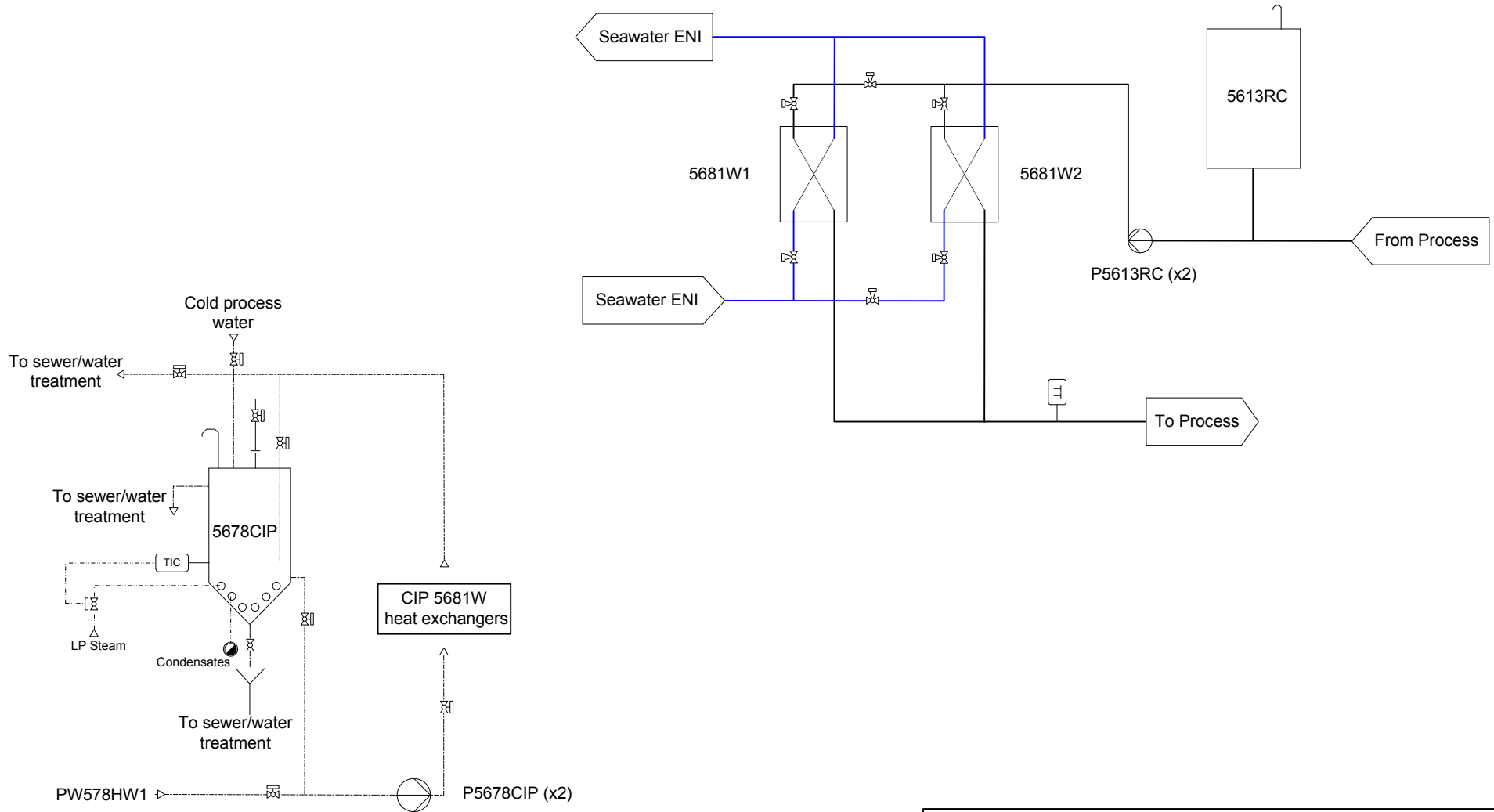


DE SMET BALLESTRA GROUP			
PROJECT	ENI - ITALY		
DESCRIPTION	Section W500 – CIP System		
ITEM	W598	FILENAME	ENI_W500 CIP_17052013.vsd



DE SMET BALLESTRA GROUP			
PROJECT	ENI - ITALY		
DESCRIPTION	CONTINUOUS DRY PRETREATMENT WITH BLEACHING		
ITEM	T5-698	FILENAME	ENI_T5_600_17052013.vsd

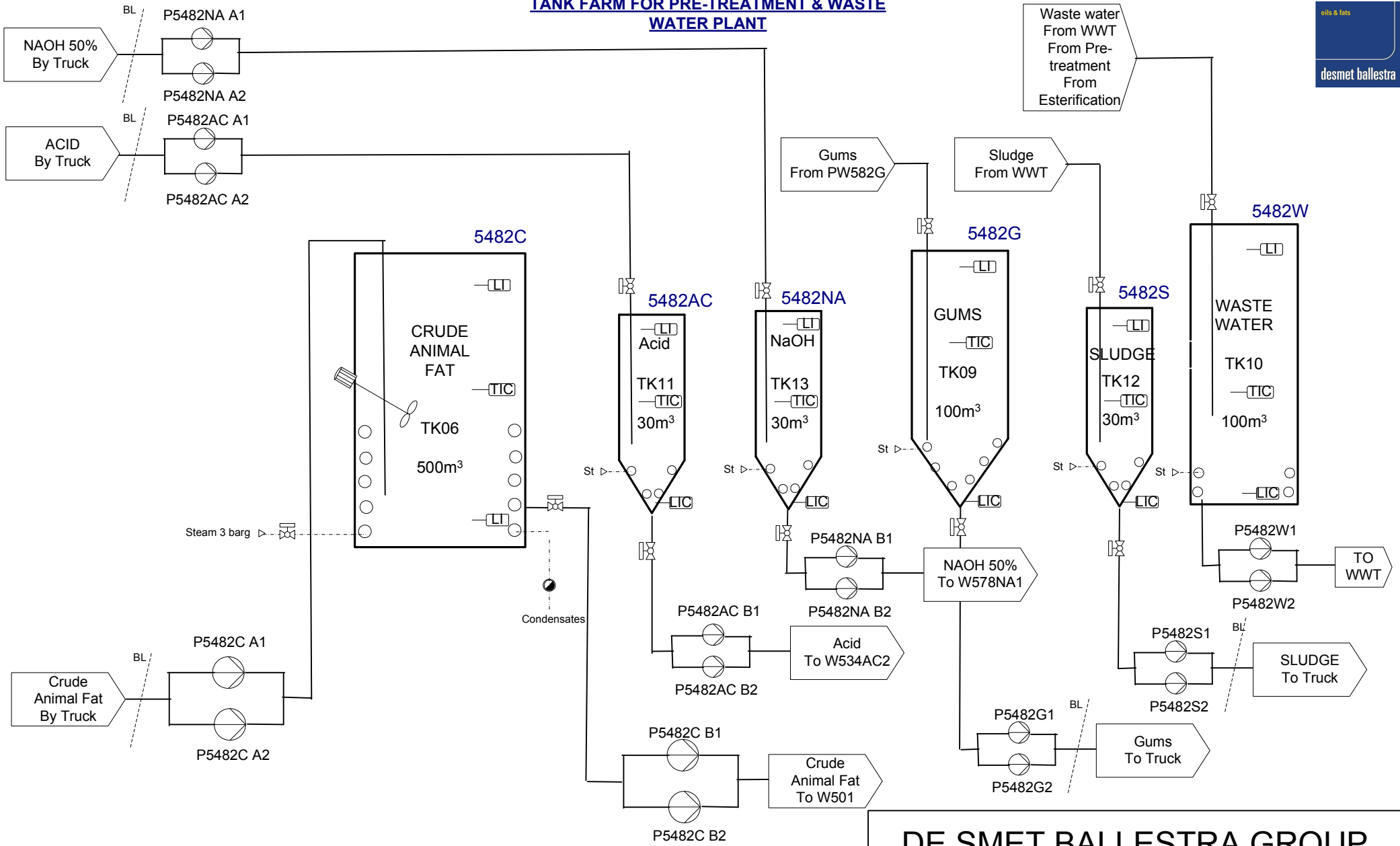
The specifications contain proprietary information of DE SMET BALLESTRA GROUP and is handed over to the client under the restriction of DE SMET's Standard Secrecy agreement.



DE SMET BALLESTRA GROUP

PROJECT	ENI - ITALY		
DESCRIPTION	SEAWATER COOLING SYSTEM		
ITEM	5613RC	FILENAME	ENI_5600RC_17052013 Rev01.vsd


TANK FARM FOR PRE-TREATMENT & WASTE WATER PLANT

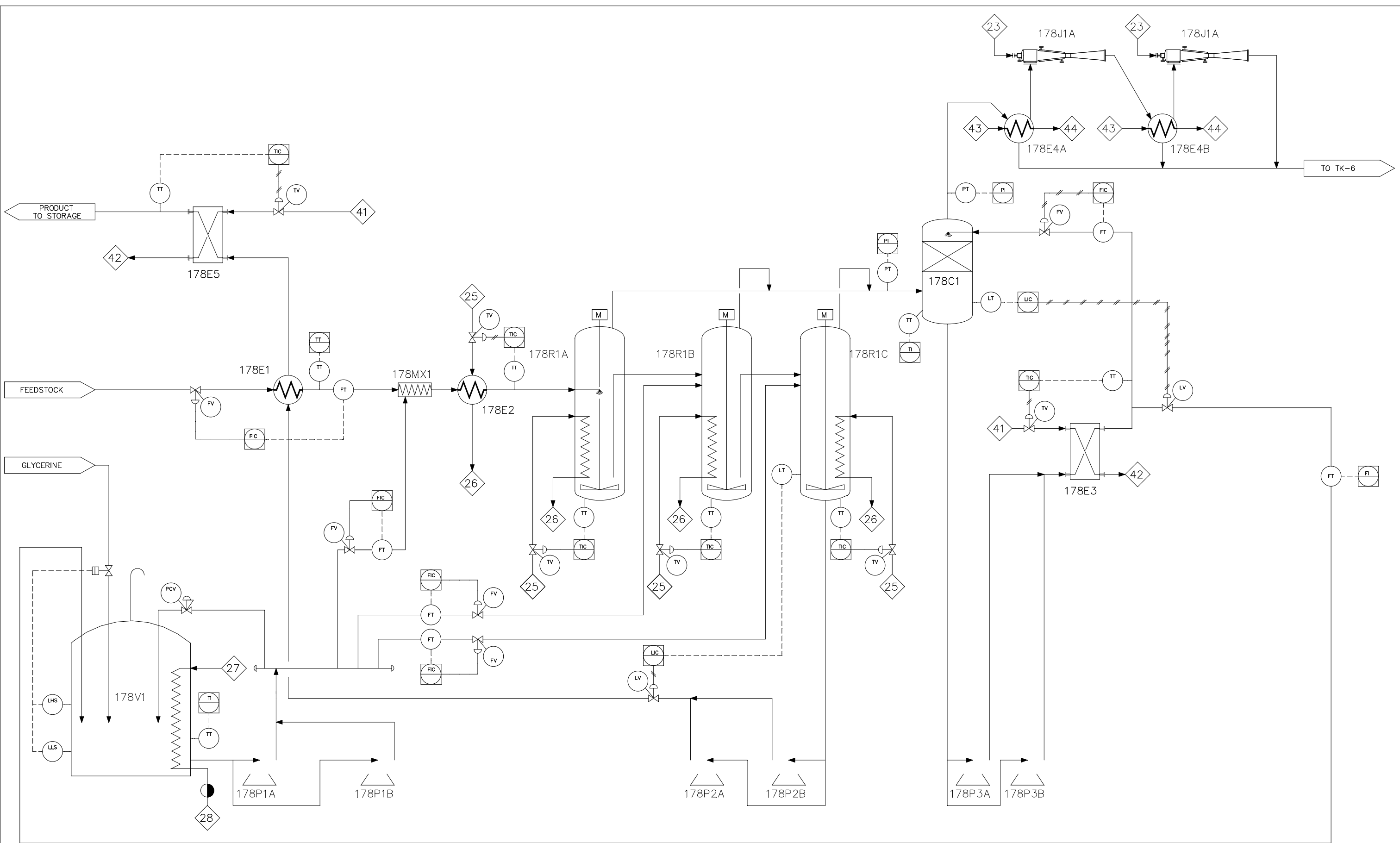


DE SMET BALLESTRA GROUP

PROJECT	ENI - ITALY		
DESCRIPTION	PRE-TREATMENT & WASTE WATER TANKFARM		
ITEM	FILENAME	ENI_Tank farm_refinery_03062013.vsd	

N.	DESCRIPTION
11	COOLING WATER SUPPLY (FROM OIL Y WATER COOLING WATER)
12	COOLING WATER SUPPLY (FROM OIL Y WATER COOLING WATER)
13	BRINE SUPPLY
14	BRINE RETURN
15	COOLING TOWER WATER SUPPLY
16	COOLING TOWER WATER RETURN
17	HOT WATER SUPPLY
18	HOT WATER RETURN
19	PROCESS WATER
20	DRINKING WATER
21	HIGH PRESSURE STEAM
22	HIGH PRESSURE STEAM CONDENSATE
23	MEDIUM PRESSURE STEAM AT 12 bar (DRY SATURATED)
24	MEDIUM PRESSURE STEAM CONDENSATE AT 12 bar
25	HIGH PRESSURE STEAM AT 36 bar (DRY SATURATED)
26	HIGH PRESSURE STEAM CONDENSATE AT 36 bar
27	PRESSURE STEAM AT 3 bar (DRY SATURATED)
28	PRESSURE STEAM CONDENSATE AT 3 bar
29	FUEL OIL
30	FUEL GAS
31	INSTRUMENT AIR
32	SERVICE AIR
33	LUBRICATED AIR
34	CLEAN WATER SEWER
35	WASTE WATER SEWER
36	ATMOSPHERE
37	NITROGEN 7 barg
38	NITROGEN 10 mbar
39	DIATHERMIC OIL SUPPLY
40	DIATHERMIC OIL RETURN
41	THERMOSTATIZED WATER SUPPLY
42	THERMOSTATIZED WATER RETURN
43	SEA WATER SUPPLY
44	SEA WATER RETURN

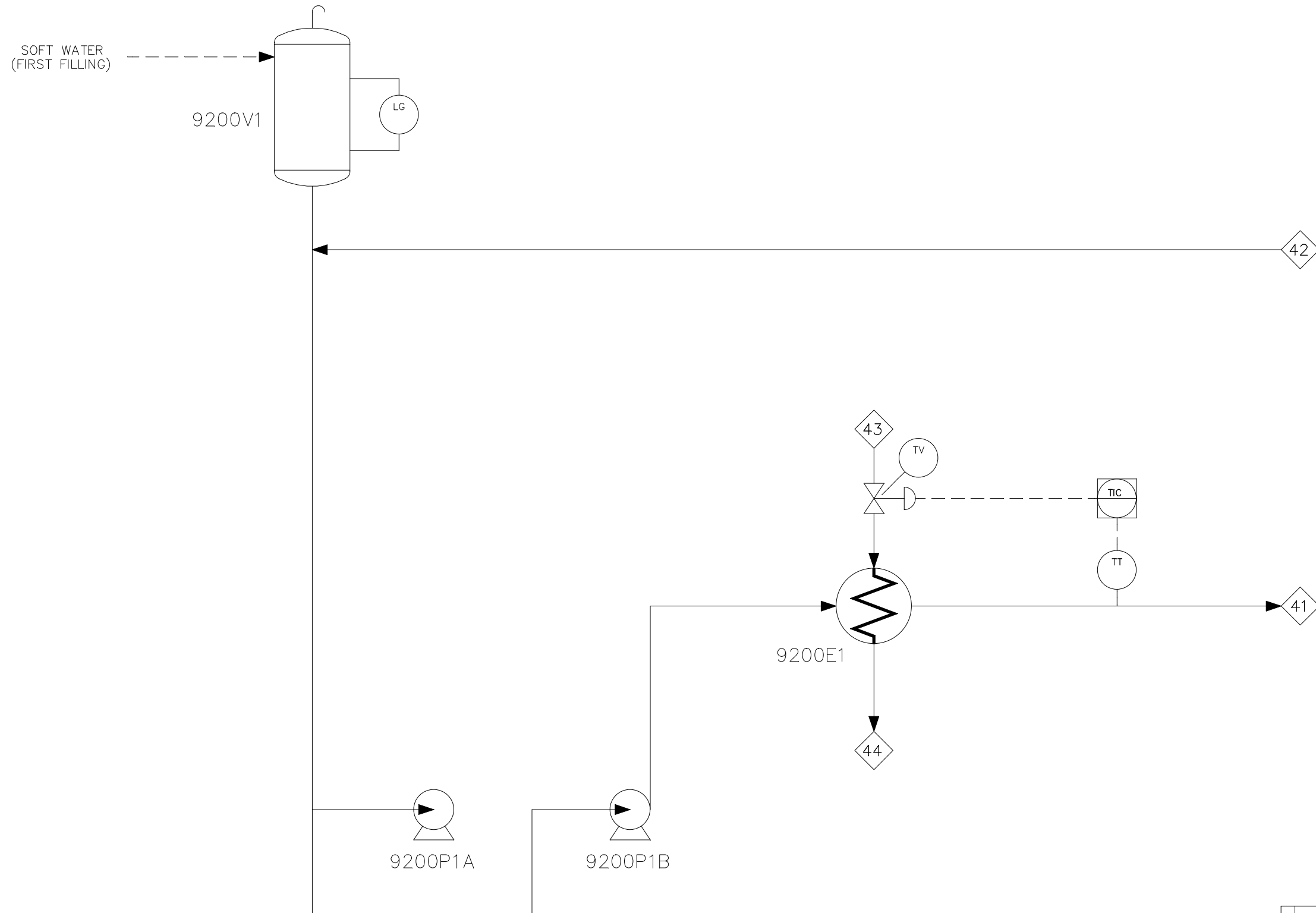
0		PRELIMINARY ISSUE		MOM FRS		ANZ 23.04.13	
REV.	DESCRIPTION	DATE	DRAWN	CHECKED	DATE	DATE	DATE
		23.04.13	Montuori	FRS			
 desmet ballestra s.p.a. Via dei Castelli Romani 2L - 00040 Pomezia Roma - ITALY		DATE	DRAWN		DATE		
CLIENT:	ENI	23.04.13	Montuori		FRS		
SITE:	VENICE		DRAWING N.		110.01.01		
CONTRACT N.:	012028		SHEET 1		OF 1		REV. 0
FLUID LIST			UNIT:				
<small>WE RESERVE THE OWNERSHIP UNDER THE LAW OF THIS DRAWING WITH PROHIBITION OF EVEN PARTIAL REPRODUCTION AND TO MAKE IT KNOWN PERSONS WITHOUT OUR WRITTEN AUTHORIZATION</small>							



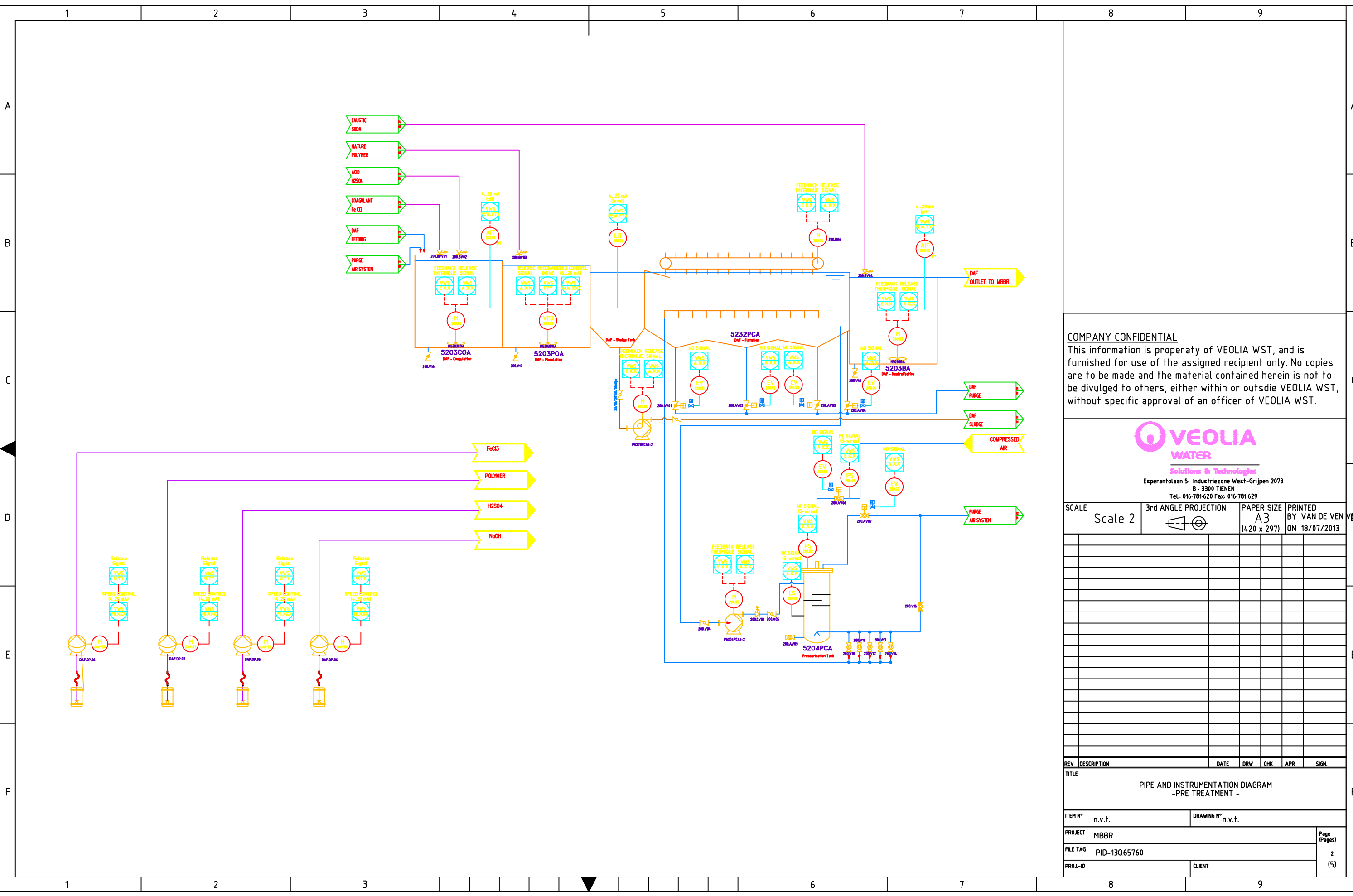
REV.	DESCRIPTION	DATE	BY	CHECKED	DATE
0	PRELIMINARY ISSUE	23.04.13	FRS	FRS	

desmet ballestra s.p.a. Via del Castelli Romani 2L - 00040 Pomezia Roma - ITALY		DATE 23.04.13	DRAWN Montuori
CLIENT: ENI	SITE: VENICE	CONTRACT N.: 0L12028	DRAWING N. 178.01.01A
CONTINUOS ESTERIFICACION WITH GLYCEROL			SHEET 1 OF 1 REV. 0
PRELIMINARY FLOW-SHEET			UNIT: 178

WE RESERVE THE OWNERSHIP UNDER THE LAW OF THIS DRAWING WITH PROHIBITION OF EVEN PARTIAL REPRODUCTION AND TO MAKE IT KNOWN PERSONS WITHOUT OUR WRITTEN AUTHORIZATION



REV.	DESCRIPTION	DATE	DRWN	CHEK	UNIT
0	PRELIMINARY ISSUE		FRS	FRS	FRS
	desmet ballestra s.p.a.	23.04.13	Montuori	FRS	
	Via dei Castelli Romani 2L - 00040 Pomezia Roma - ITALY				
	CLIENT: ENI		DRAWING N°		
	SITE: VENICE		9200A		
	CONTRACT N.: 0L12028		SHEET 1 OF 1	REV. 0	
	THERMOSTATIZED WATER SYSTEM				
	PRELIMINARY FLOW-SHEET		UNIT: 9200		
<small>WE RESERVE THE OWNERSHIP UNDER THE LAW OF THIS DRAWING WITH PROHIBITION OF EVEN PARTIAL REPRODUCTION AND TO MAKE IT KNOWN PERSONS WITHOUT OUR WRITTEN AUTHORIZATION</small>					



COMPANY CONFIDENTIAL
 This information is property of VEOLIA WST, and is furnished for use of the assigned recipient only. No copies are to be made and the material contained herein is not to be divulged to others, either within or outside VEOLIA WST, without specific approval of an officer of VEOLIA WST.



Solutions & Technologies
 Esperantolaan 5 - Industriezone West-Gripen 2073
 B - 3300 TIENEN
 Tel.: 016-781-620 Fax: 016-781-629

SCALE	Scale 2	3rd ANGLE PROJECTION	PAPER SIZE	PRINTED
			A3	BY VAN DE VEN
			(420 x 297)	ON 18/07/2013

REV	DESCRIPTION	DATE	DRW	CHK	APR	SIGN.
TITLE						
PIPE AND INSTRUMENTATION DIAGRAM -PRE TREATMENT -						
ITEM N°	n.v.t.	DRAWING N°	n.v.t.			
PROJECT	MBBR					Page
FILE TAG	PID-13Q65760					(Pages)
PROJ-ID	CLIENT					2
						(5)

