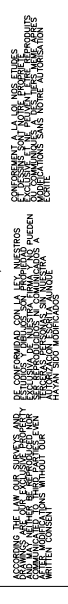


IF IN DOUBT, ASK - DO NOT SCALE !



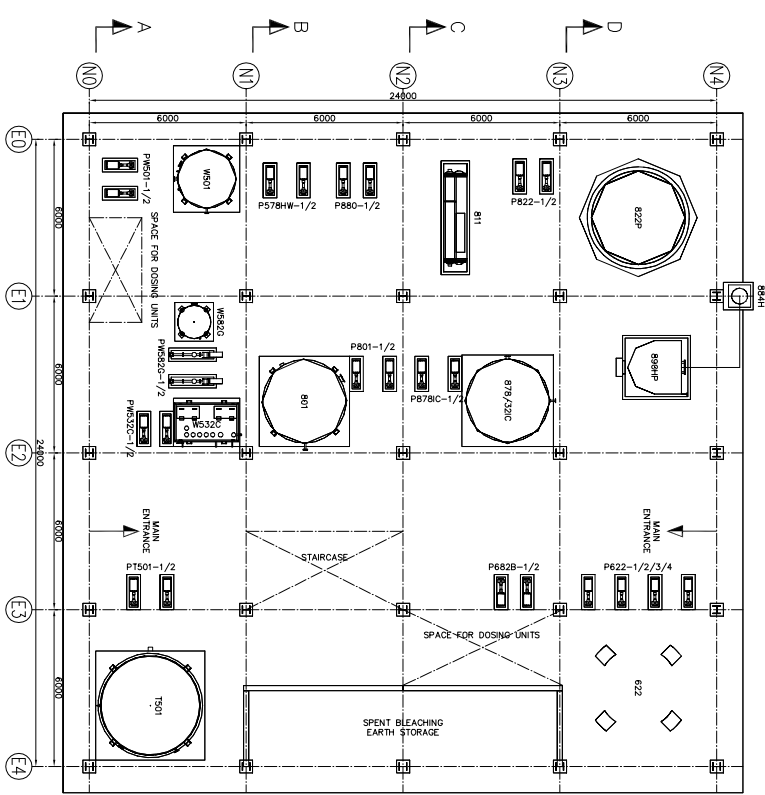
REV.	DATE	DESCRIPTION OF MODIFICATION	NO. OF SALES	BY
1	09.05.2013		001	

PROJECT ID	PROJECT NAME	SCALE	FORMAT	ENI
6487	Desmet Ballestra Group			

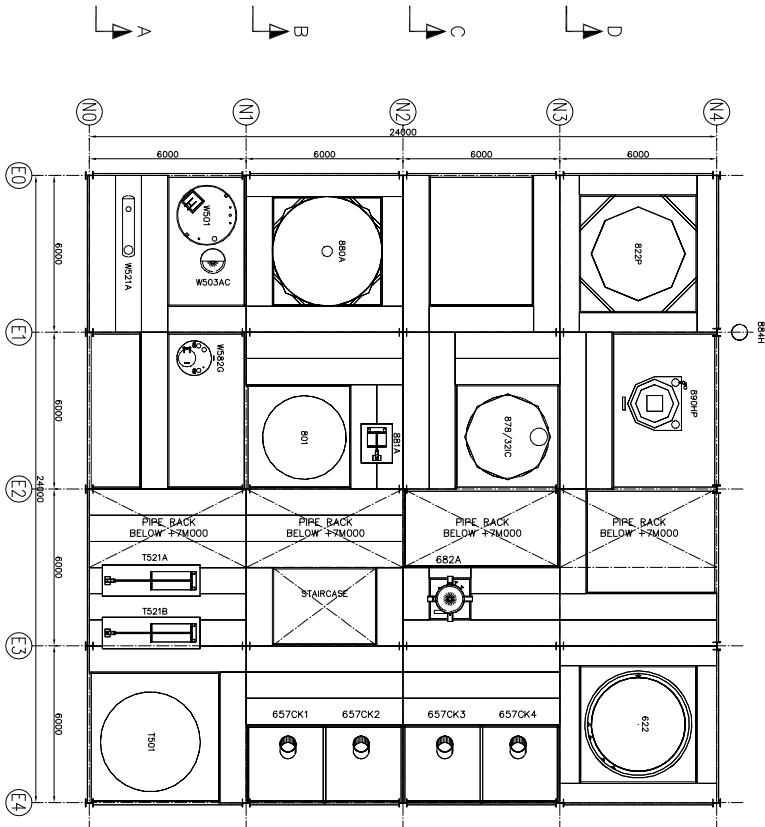
ITEM NBR	DOCUMENT TYPE	SEC	SCALE	FORMAT	ENI
001	FACTORY LAYOUT				

PROGRAM	DATE	USER	CAO	REASON

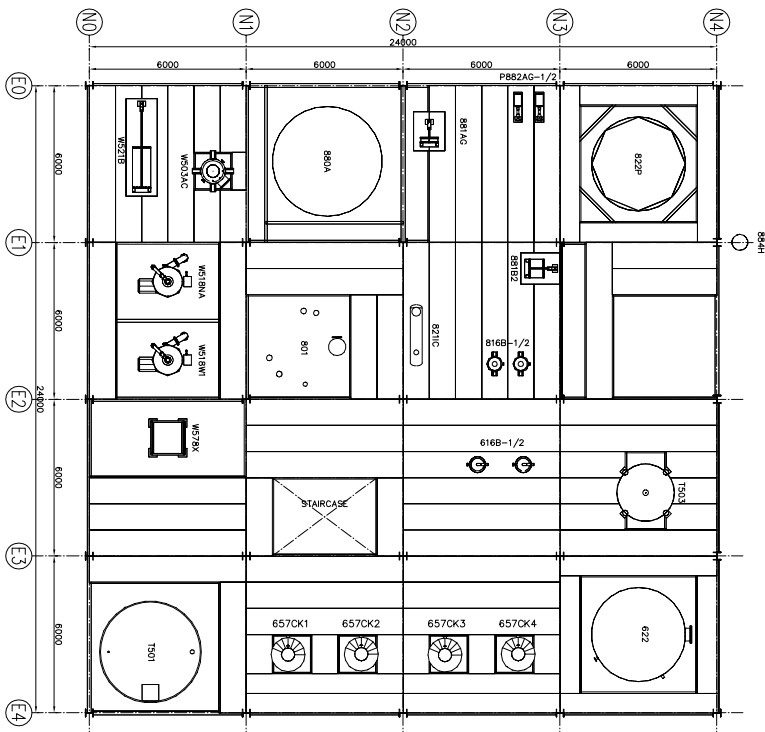
IF IN DOUBT, ASK - DO NOT SCALE !



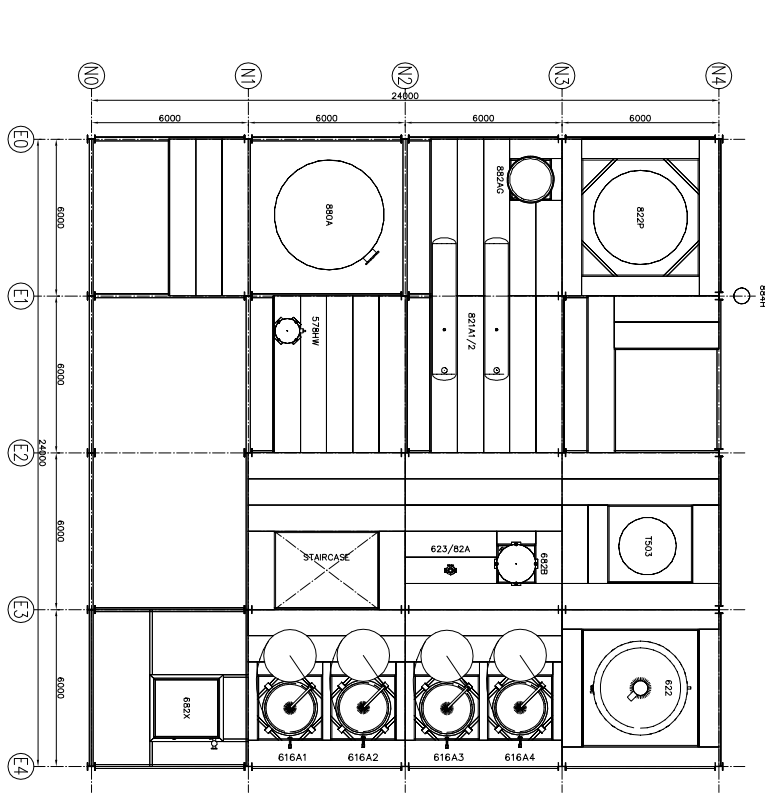
FLOOR AT LEVEL +0M000



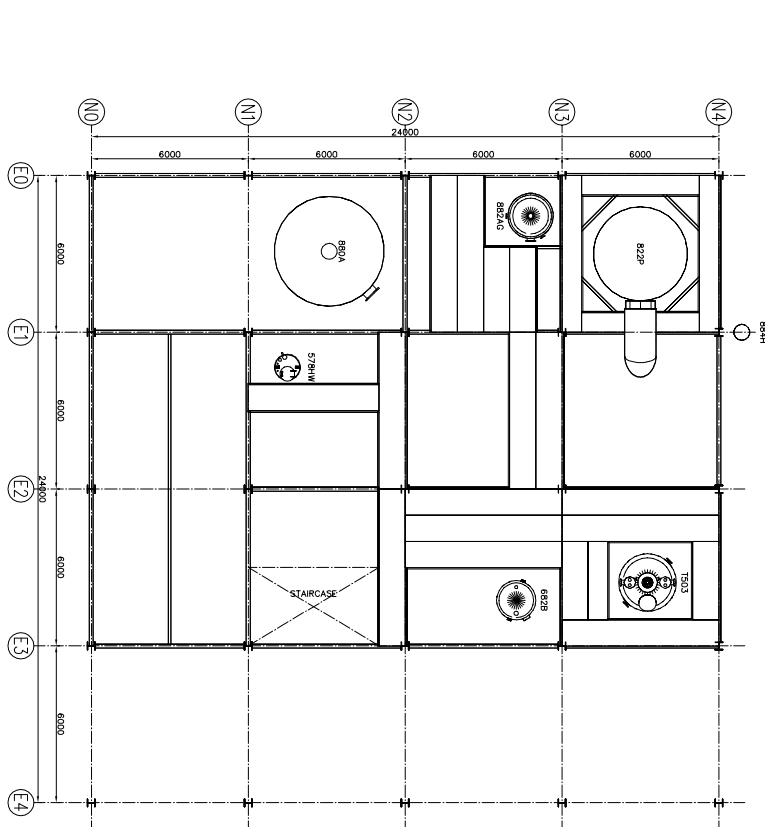
FLOOR AT LEVEL +3M500



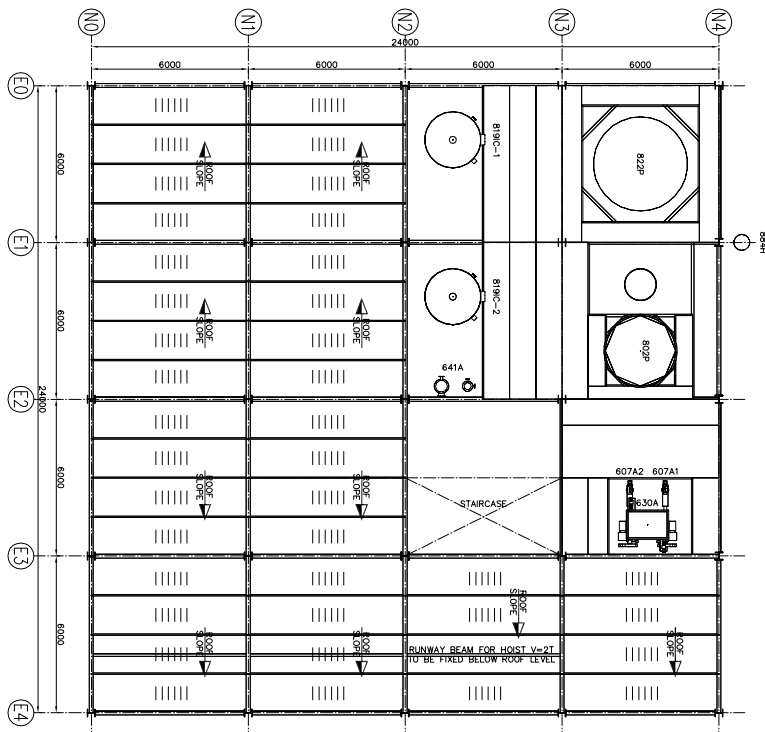
FLOOR AT LEVEL +7M000



FLOOR AT LEVEL +10M500



FLOOR AT LEVEL +14M000



FLOOR AT LEVEL +17M500

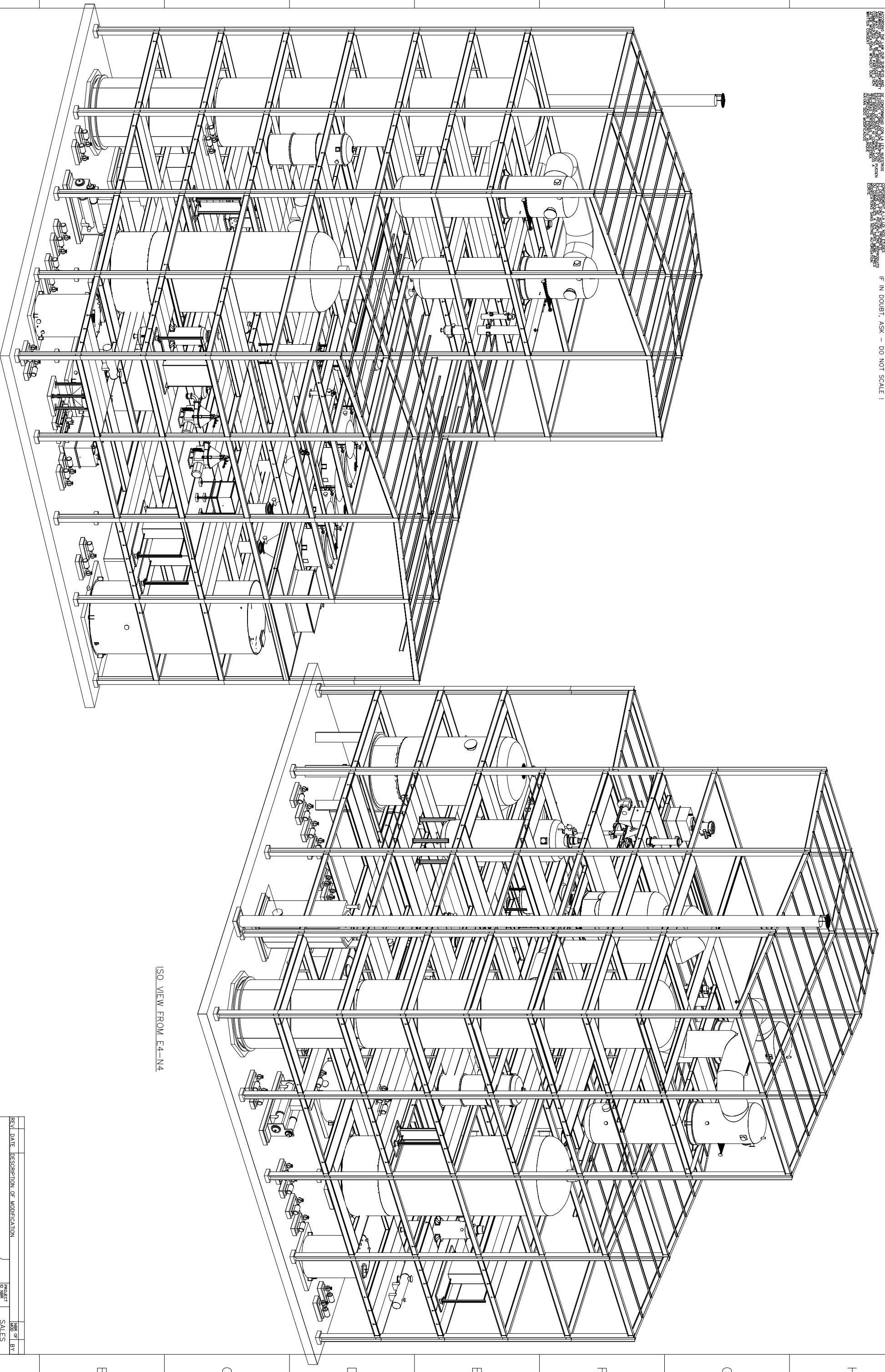
REV	DATE	DESCRIPTION OR MODIFICATION	DRAWN BY	CHECKED BY
0				
1				

PROJECT	Desmet Ballestra Group
DOCUMENT TYPE	SALES
SCALE	1:100
DATE	30.04.2013
DRAWING NUMBER	001

ITEM NO.	W03-1707/09-097
DISCIPLINE	REFINERY LAYOUT
DATE	30.04.2013
DRAWING NUMBER	001

A00(841 x 1189) 8 7 6 5 4 3 2 1 CAD DRWG. DO NOT SCALE !

IF IN DOUBT, ASK - DO NOT SCALE !



ISO VIEW FROM E0-N0

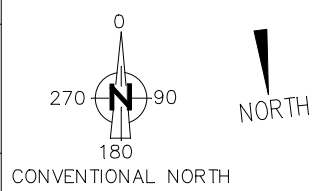
ISO VIEW FROM E4-N4

REV	DATE	DESCRIPTION OF MODIFICATION	DESIGNED BY	CHECKED BY

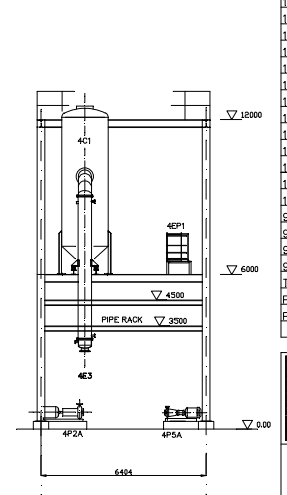
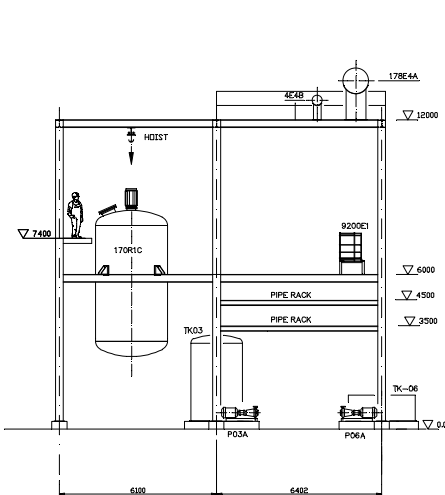
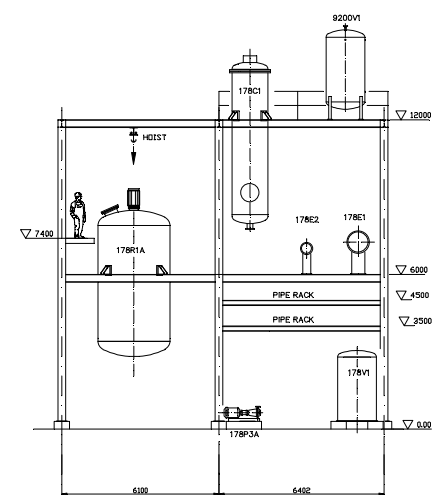
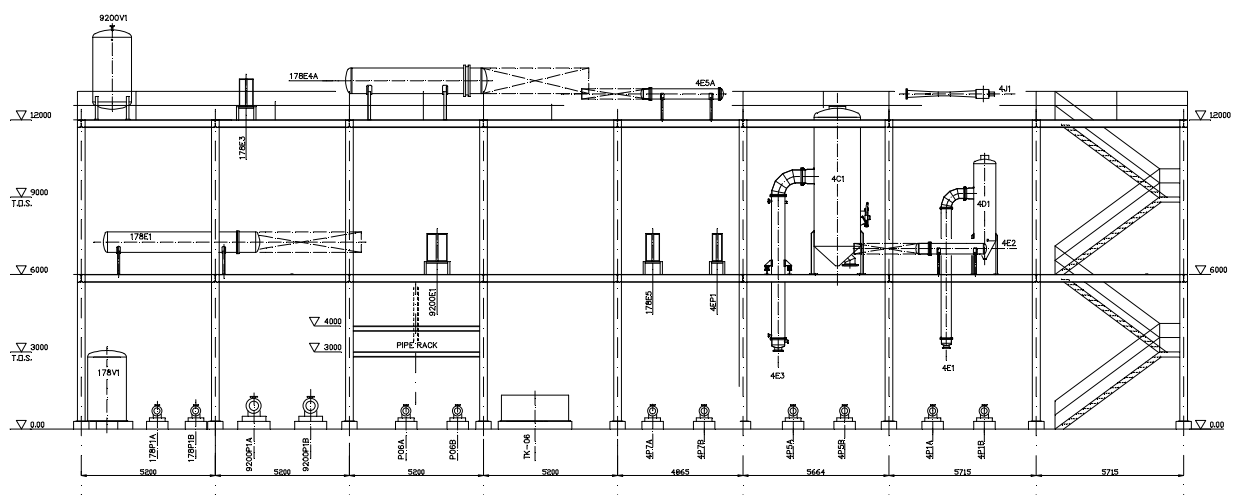
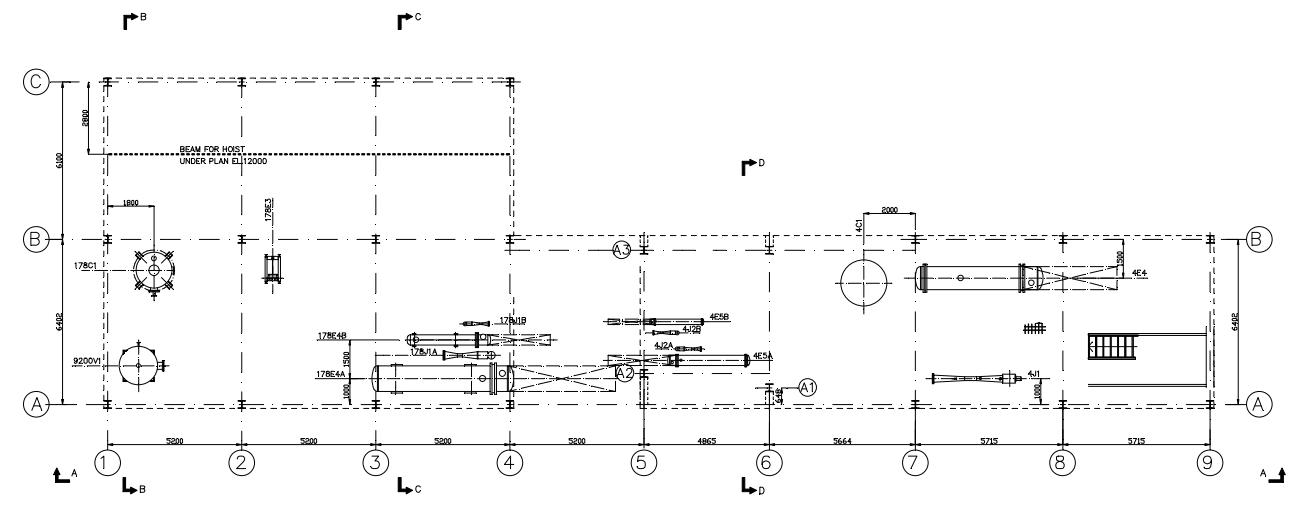
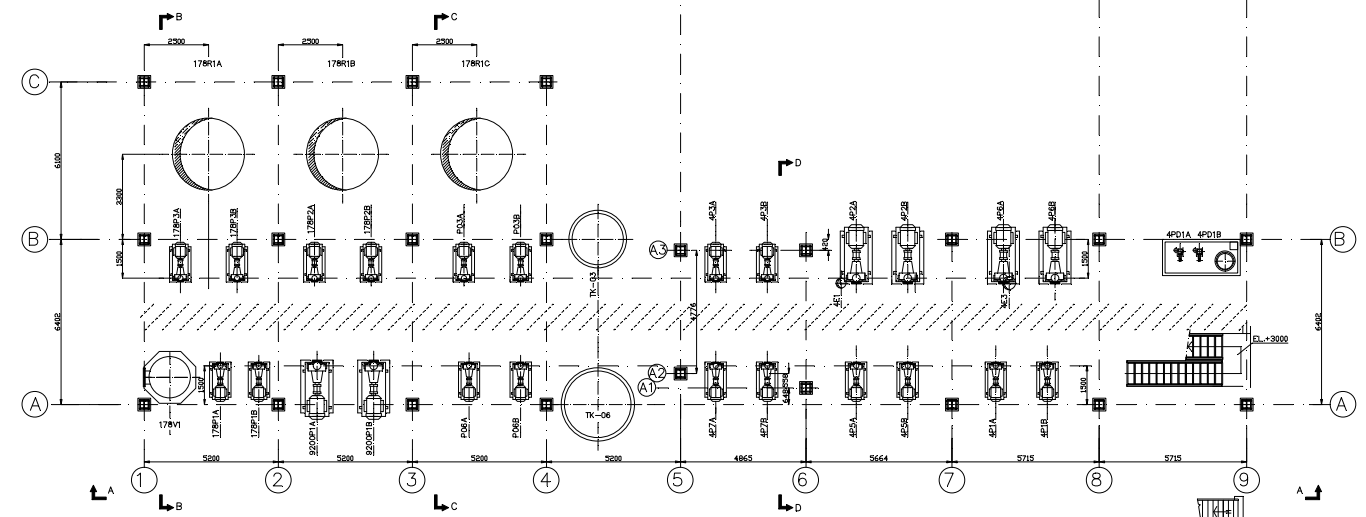
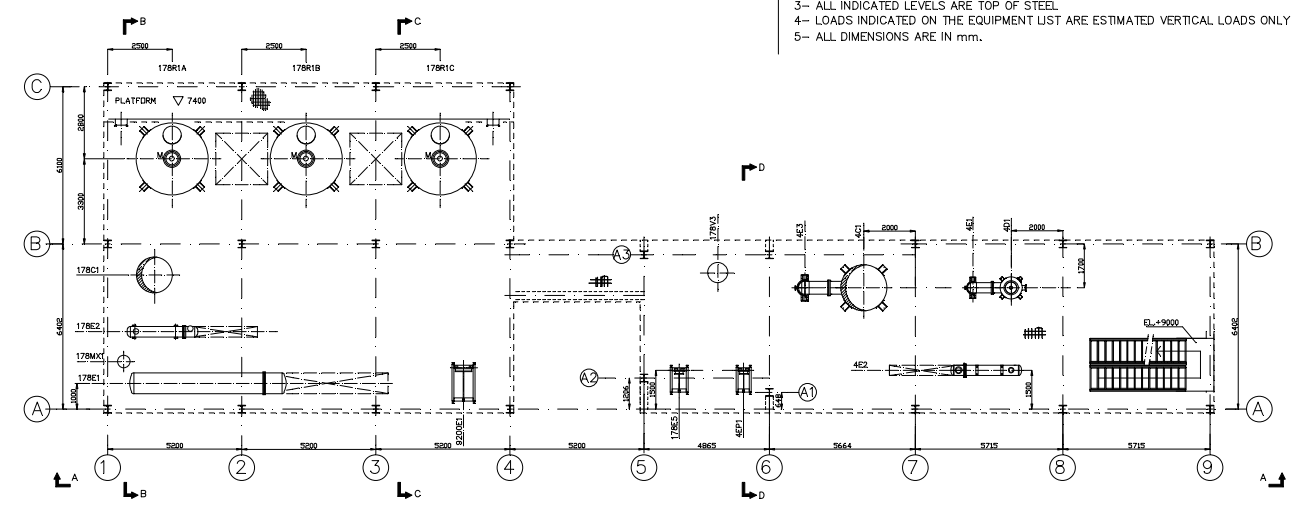
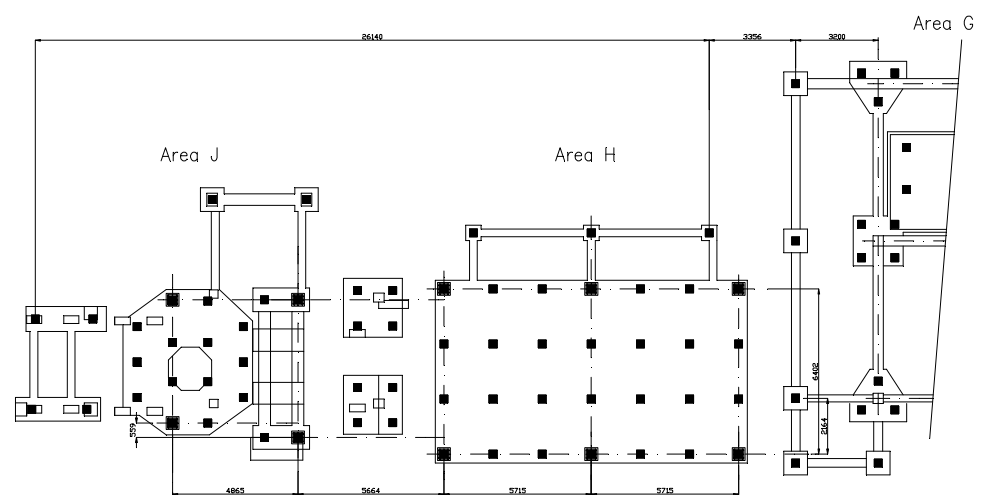
PROJECT: SALES
 DESMET BALLESTRA GROUP
 ENI

ITEM NO.	REV	DATE	DESCRIPTION	SCALE	FORMAT

PROPOSAL LAYOUT - ISO VIEWS
 30.04.2013
 001
 IF IN DOUBT, ASK - DO NOT SCALE !
 CAD DRWG.
 DO NOT MODIFY



- GENERAL NOTES**
- 1- THIS DRAWING IS NOT VALID FOR ORIENTATION OF EQUIPMENTS
 - 2- INDICATED LOADS AND LOCATION OF BEAMS ARE GIVEN FOR INFORMATION ONLY
 - 3- ALL INDICATED LEVELS ARE TOP OF STEEL
 - 4- LOADS INDICATED ON THE EQUIPMENT LIST ARE ESTIMATED VERTICAL LOADS ONLY
 - 5- ALL DIMENSIONS ARE IN MM.



ITEM	EMPTY WEIGHT Kg.	OPER. WEIGHT Kg.	ITEM	EMPTY WEIGHT Kg.	OPER. WEIGHT Kg.
17B-R1A	6072	40000	4-C1	3123	12000
17B-R1B	6072	40000	4-D1	855	1800
17B-R1C	6072	40000	4-E1	900	1800
17B-V1	1648	4500	4-E2	530	750
17B-V3	500	500	4-E3	1800	3700
17B-C1	1967	5500	4-E4	3500	5000
17B-E4A	4000	6000	4-E5A	1000	2000
17B-E4B	600	900	4-E5B	500	700
17B-E1	4300	7300	4-EP1	300	300
17B-E2	530	750	4-P1A	300	300
17B-E3	600	900	4-P1B	300	300
17B-E5	300	500	4-P2A	1000	1000
17B-P1A	300	300	4-P2B	1000	1000
17B-P1B	300	300	4-P3A	300	300
17B-P2A	300	300	4-P3B	300	300
17B-P3A	400	400	4-P5A	300	300
17B-P3B	400	400	4-P5B	300	300
17B-J1A	70	70	4-P6A	1000	1000
17B-J1B	70	70	4-P6B	1000	1000
17B-MX1	100	130	4-P7A	300	300
9200-E1	850	1000	4-P7B	300	300
9200-V1	1141	5700	4-PD1A	100	100
9200-P1A	1300	1300	4-PD1B	100	100
9200-P1B	1300	1300	4-J1	250	250
TK-06	2000	7000	4-J2A	70	70
P-06A	300	300	4-J2B	70	70
P-06B	300	300	TK-03	2300	8000
			P-03A	300	300
			P-03B	300	300

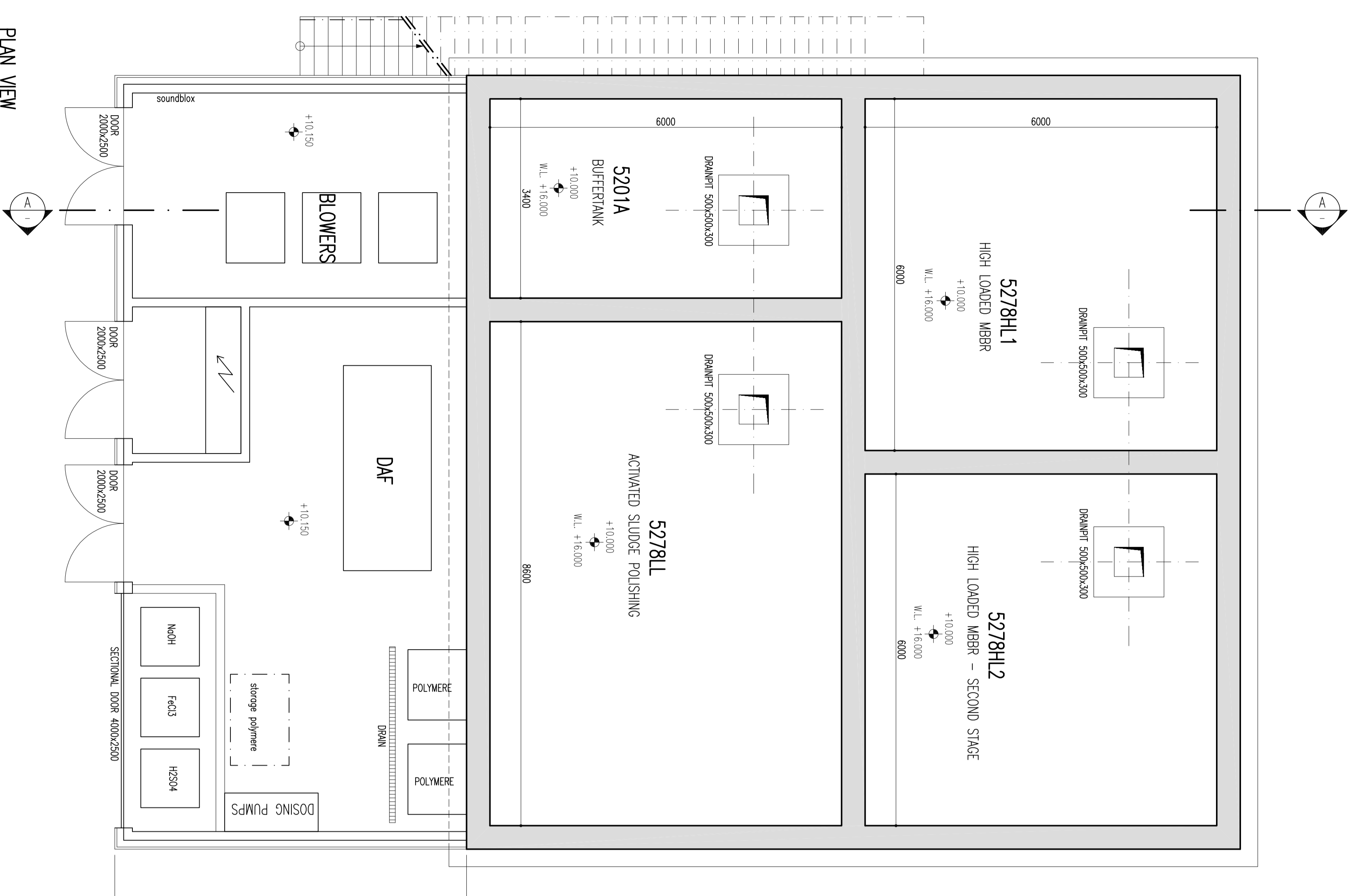
desmet ballestra s.p.a.
Via del Costello Romano 21
- 00040 Pomezia Roma - ITALY

CLIENT: AGIP PETROLI
SITE: VENEZIA-ITALY
JOB: OL12028

CONTINUOUS ESTERIFICATION
WITH GLYCEROL
PLOT PLAN

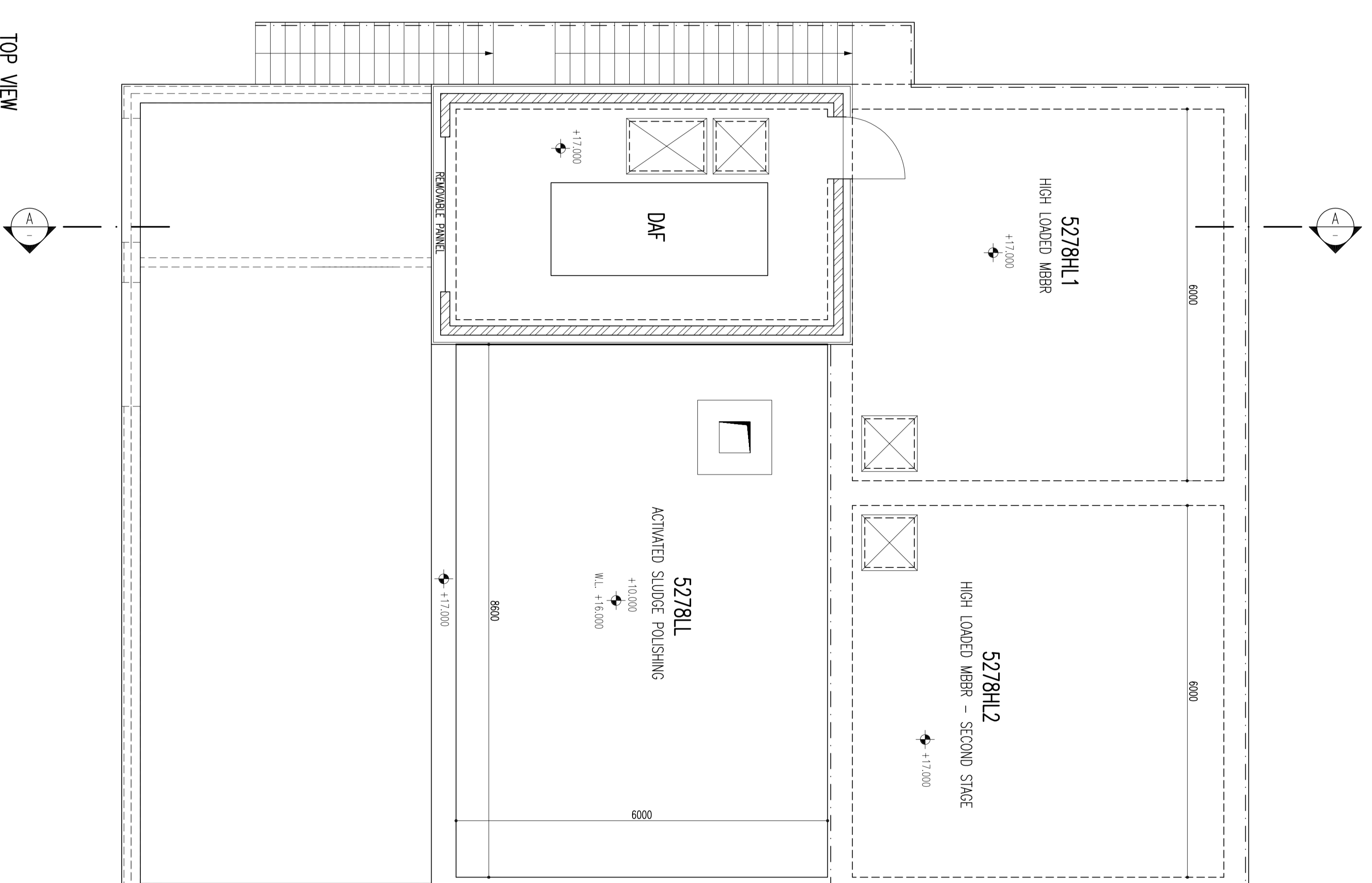
DATE: 12-04-13
DRAWN: NEMA
CHECKED: GP

DRAWING N°: OL12028-0-DW-20-002-01
SHEET 1 OF 1 REV. 1
FORMAT/SCALE: A0 / 1:100 UNIT:



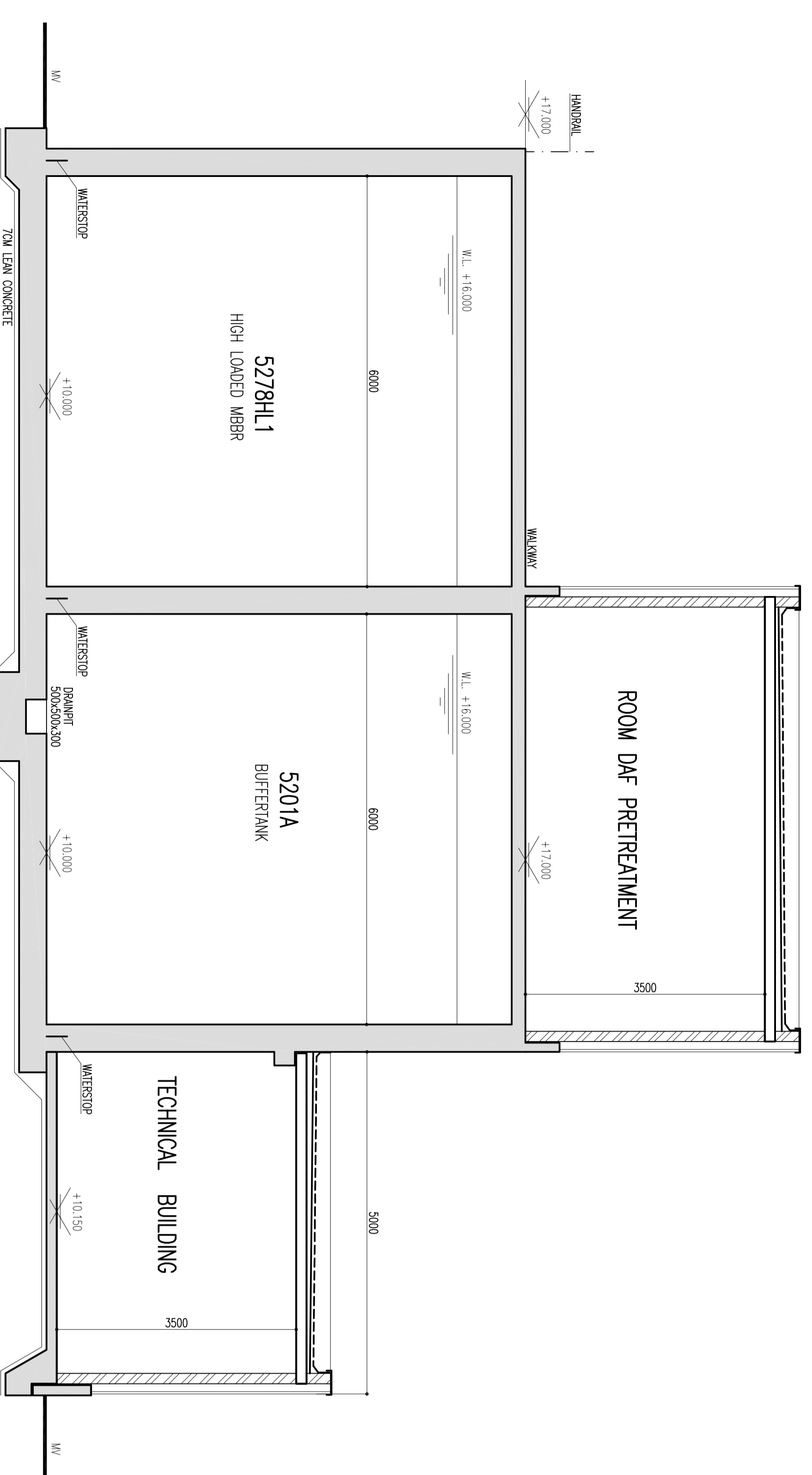
PLAN VIEW

SCALE 1/50



TOP VIEW

SCALE 1/50



SECTION

SCALE 1/50

ACCORDING TO THE LAW OUR SURVEYS AND COMMUNICATIONS TO THIRD PARTIES MAY BE REPRODUCED AND TRANSMITTED IN ANY FORM OR BY ANY MEANS WITHOUT OUR WRITTEN CONSENT.

REFERENCES

REV	DATE	DESCRIPTION	DESIGN	CHECK	APPROB.
2	15/05/2013	GENERAL MODIFICATION	NO		
1	14/05/2013	GENERAL MODIFICATION	NO		
0	13/05/2013	FOR REVIEW	NO		

oveoia
 WASTE WATER
 SOLUTIONS & TECHNOLOGIES

WVS BELGIUM
 ESPERANTIDJAN 5
 3300 HEREN
 BELGIUM

TEL: +32 (0)16 816220
 FAX: +32 (0)16 816219
 WWW.VEOLIAWATERSIJBE

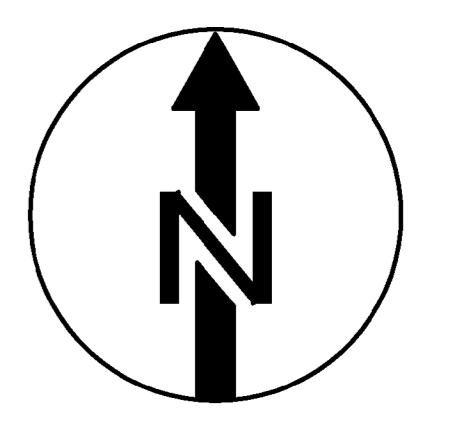
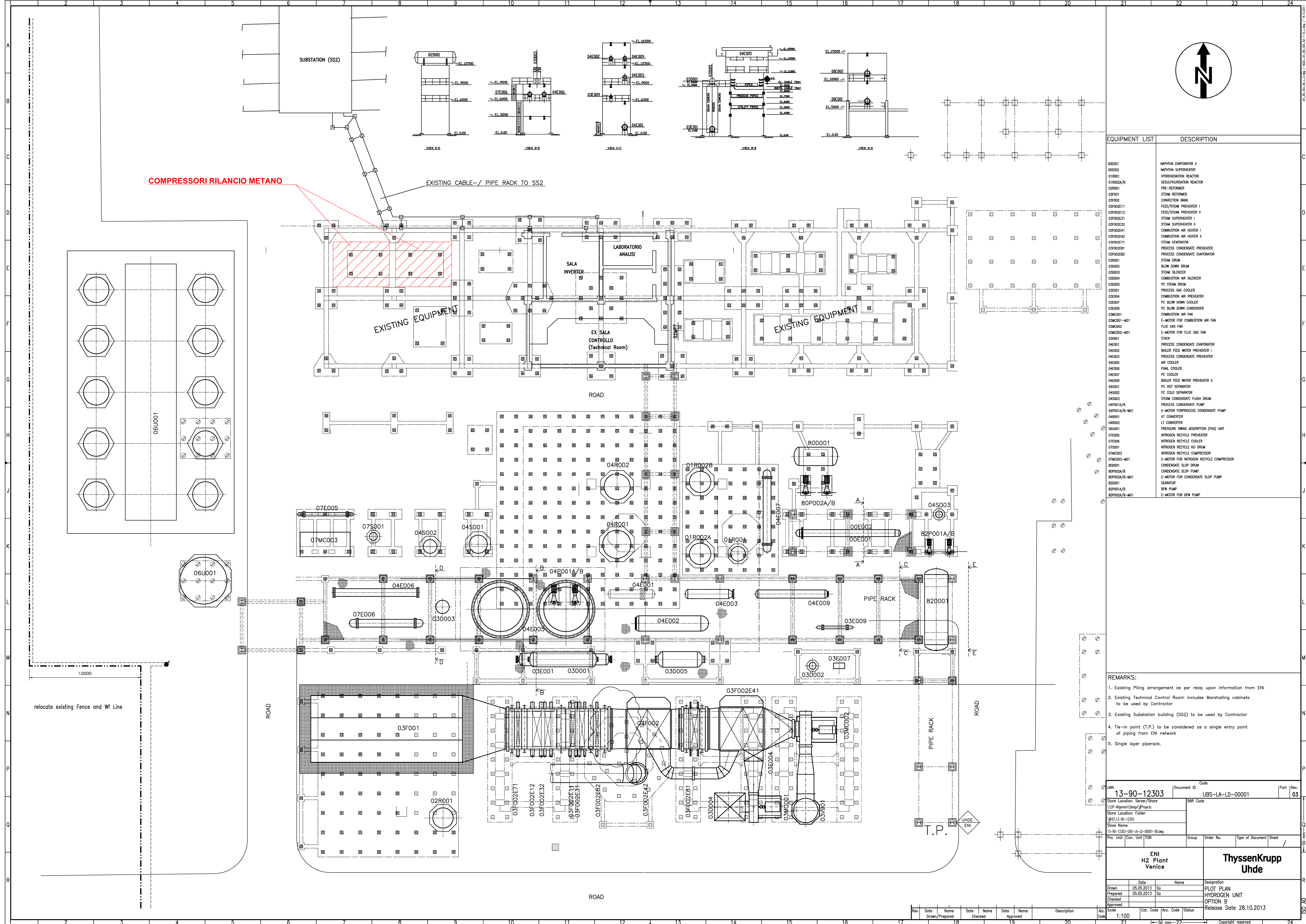
CLIENT: **DBG/DBI**

CONSULTANT:

PROJECT: **WASTE WATER TREATMENT PLANT**

DRAWING TITLE: **PLAN VIEWS AND SECTION**

PROJECT NO.:	-	SCALE:	1/100	FORMAT:	A0
DWG NO.:	C-101	SHEET NO.:	...	TOTAL SHEETS:	2



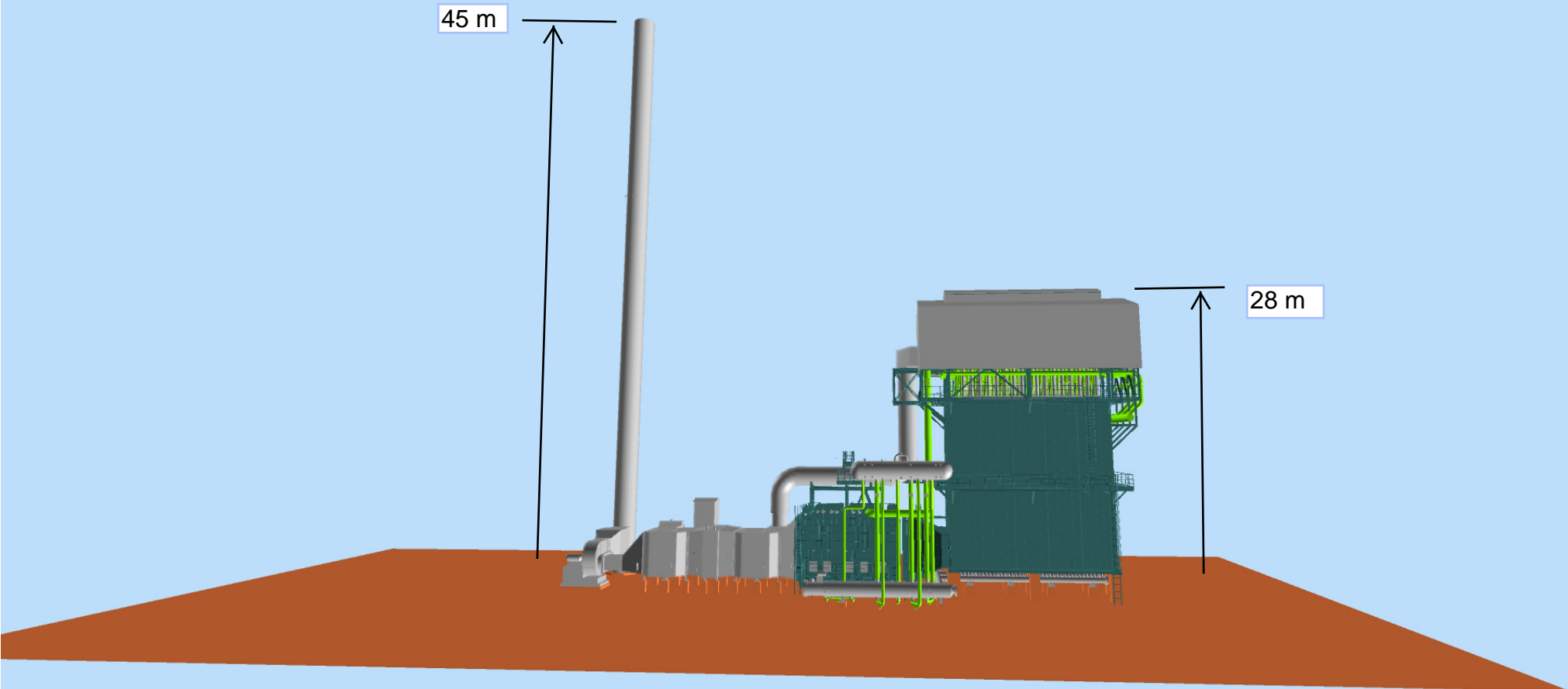
EQUIPMENT LIST	DESCRIPTION
00E001	NAPHTHA EVAPORATOR II
00E002	NAPHTHA SUPERHEATER
01R001	HYDROGENATION REACTOR
01R002A/B	DESULPHURISATION REACTOR
02R001	PRE-REFORMER
03F001	STEAM REFORMER
03F002	CONVECTION BANK
03F002E11	FEED/STEAM PREHEATER I
03F002E12	FEED/STEAM PREHEATER II
03F002E31	STEAM SUPERHEATER I
03F002E32	STEAM SUPERHEATER II
03F002E41	COMBUSTION AIR HEATER I
03F002E42	COMBUSTION AIR HEATER II
03F002E71	STEAM GENERATOR
03F002E81	PROCESS CONDENSATE PREHEATER
03F002E82	PROCESS CONDENSATE EVAPORATOR
03D001	STEAM DRUM
03D002	BLOW DOWN DRUM
03D003	STEAM SILENCER
03D004	COMBUSTION AIR SILENCER
03D005	PC STEAM DRUM
03E001	PROCESS GAS COOLER
03E004	COMBUSTION AIR PREHEATER
03E007	PC BLOW DOWN COOLER
03E009	PC BLOW DOWN CONDENSER
03M001	COMBUSTION AIR FAN
03M001-M01	E-MOTOR FOR COMBUSTION AIR FAN
03M002	FLUE GAS FAN
03M002-M01	E-MOTOR FOR FLUE GAS FAN
03N001	STACK
04E001	PROCESS CONDENSATE EVAPORATOR
04E002	BOILER FEED WATER PREHEATER I
04E003	PROCESS CONDENSATE PREHEATER
04E005	AIR COOLER
04E006	TANK COOLER
04E007	PC COOLER
04E009	BOILER FEED WATER PREHEATER II
04S001	PC HOT SEPARATOR
04S002	PC COLD SEPARATOR
04S003	STEAM CONDENSATE FLASH DRUM
04F001A/B	PROCESS CONDENSATE PUMP
04F001A/B-M01	E-MOTOR FOR PROCESS CONDENSATE PUMP
04R001	HT CONVERTER
04R002	LT CONVERTER
06R001	PRESSURE SWING ADSORPTION (PSA) UNIT
07E005	NITROGEN RECYCLE PREHEATER
07E006	NITROGEN RECYCLE COOLER
07S001	NITROGEN RECYCLE KO DRUM
07N0003	NITROGEN RECYCLE COMPRESSOR
07N0003-M01	E-MOTOR FOR NITROGEN RECYCLE COMPRESSOR
80D001	CONDENSATE SLOP DRUM
80P002A/B	E-MOTOR FOR CONDENSATE SLOP PUMP
80P002A/B-M01	E-MOTOR FOR CONDENSATE SLOP PUMP
82D001	SEPARATOR
82P001A/B	BNW PUMP
82P001A/B-M01	E-MOTOR FOR BNW PUMP

- REMARKS:
- Existing Piling arrangement as per relay upon information from ENI
 - Existing Technical Control Room includes Marshalling cabinets to be used by Contractor
 - Existing Substation building (SS2) to be used by Contractor
 - Tie-In point (T.I.P.) to be considered as a single entry point of piping from ENI network
 - Single layer piperack.

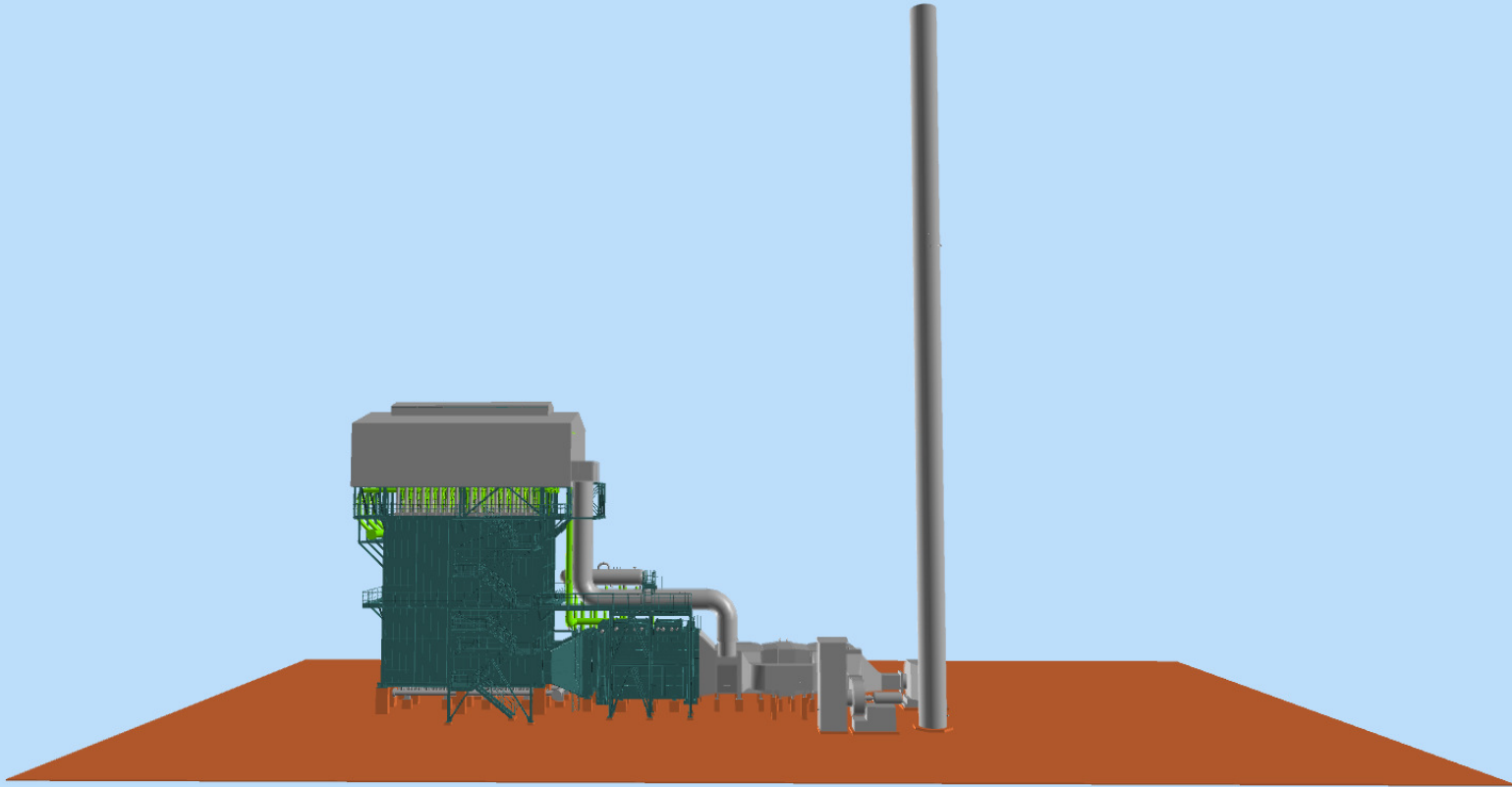
UN	13-90-12303	Document ID	UBS-LA-LD-00001	Part	Rev	03
Store Location:	Server/Share	BAR Code				
Store Location:	Folder					
Store Name	13-90-12303-UBS-LA-LD-00001-00.dwg					
Pro. Unit	Com. Unit	ITON	Group	Order No.	Type of Document	Sheet

ENI H2 Plant Venice		ThyssenKrupp Uhde	
Drawn	05.05.2013	Name	HYDROGEN UNIT
Prepared	05.05.2013	Designation	OPTION B
Checked		Release Date	28.10.2013
Approved			

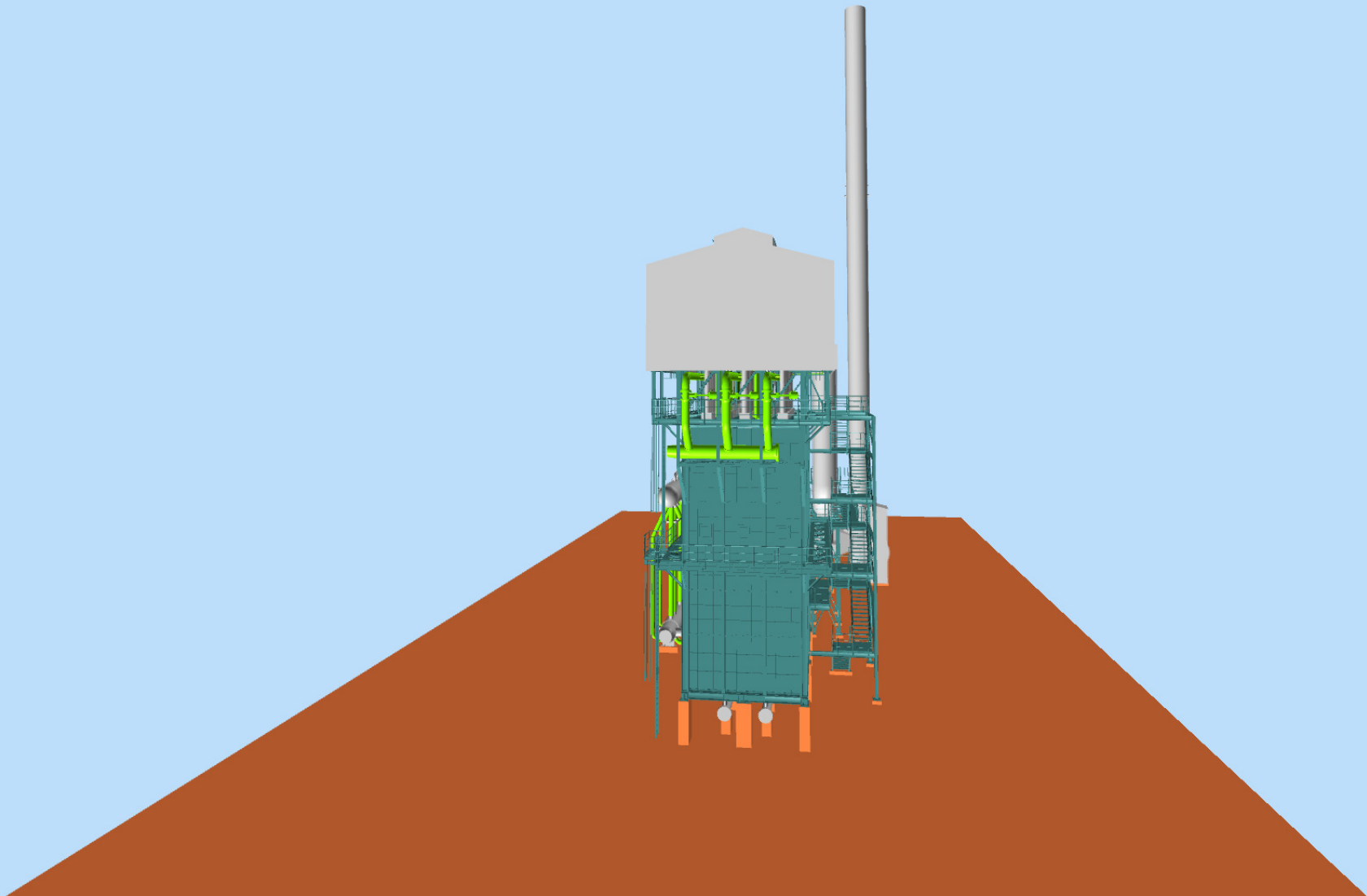
**Steam Reformer Unit and Flue Gas Stack
VIEW TO SOUTH**



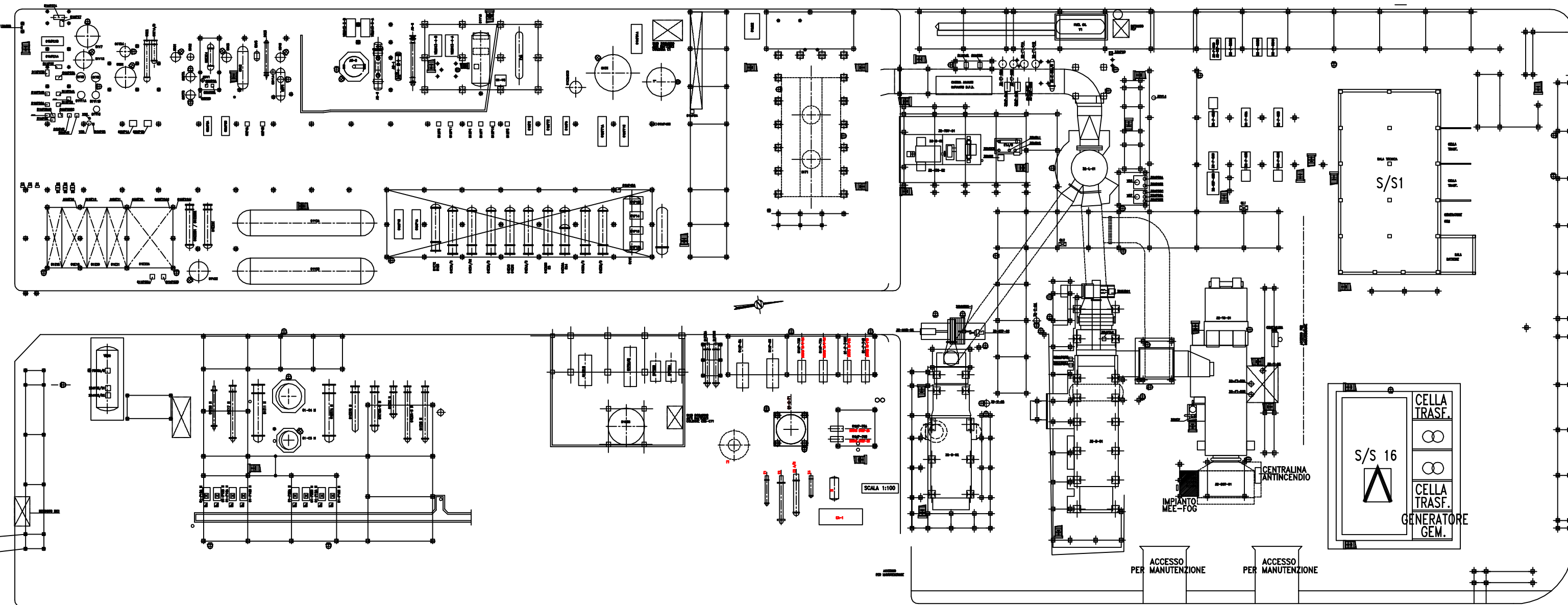
**Steam Reformer Unit and Flue Gas Stack
VIEW TO NORTH**



**Steam Reformer Unit and Flue Gas Stack
VIEW TO EAST**



STRADA DECIMA



STRADA XI

STRADA XI