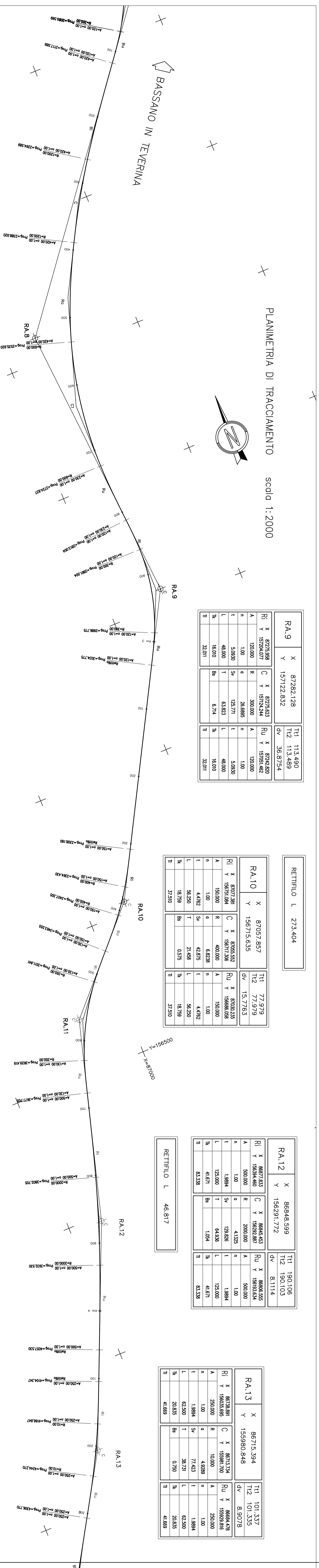


PLANIMETRIA DI TRACCIAMENTO SCALA 1:2000



RA.9		X	87282,128	TI1	113,490
		Y	157122,832	TI2	113,489
		dv		36,8754	
RI	X	87275,588	C	X	87282,128
	Y	157204,077		Y	157051,482
A	n	120,000	R	q	300,000
		1,00			26,8955
L	t	5,0330	Sv	T	123,371
		48,000	T	L	63,823
TK	Bs	16,010		TK	6,714
		32,011			32,011

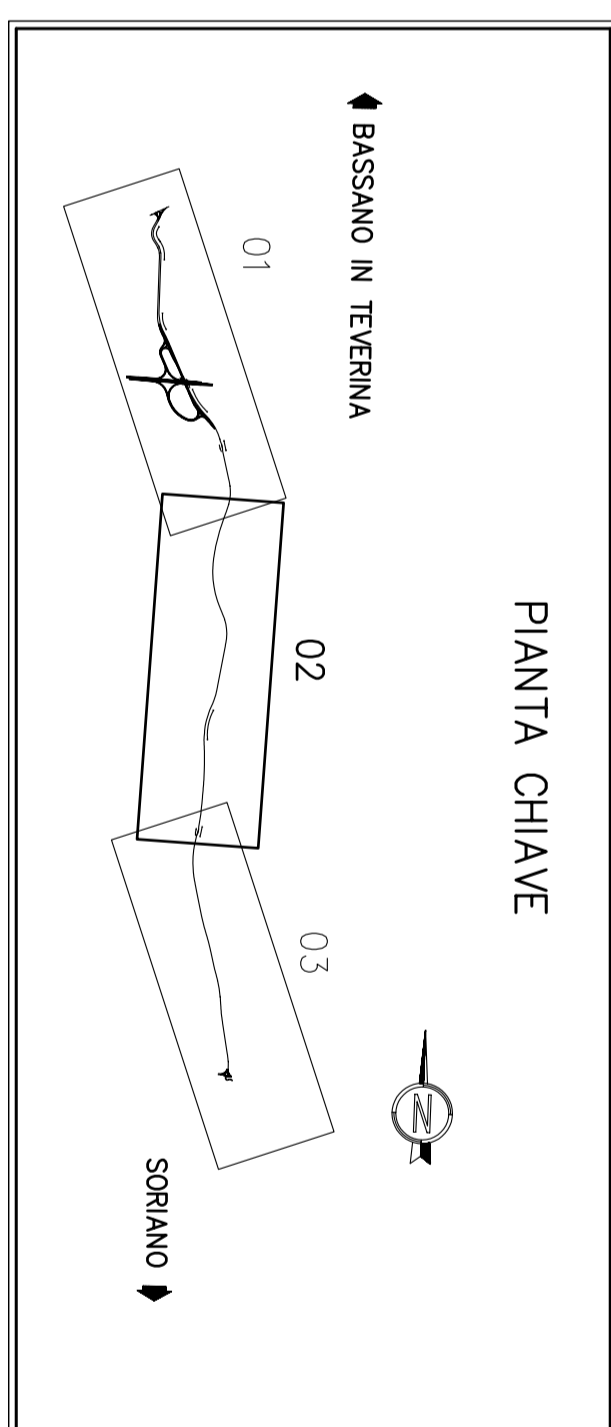
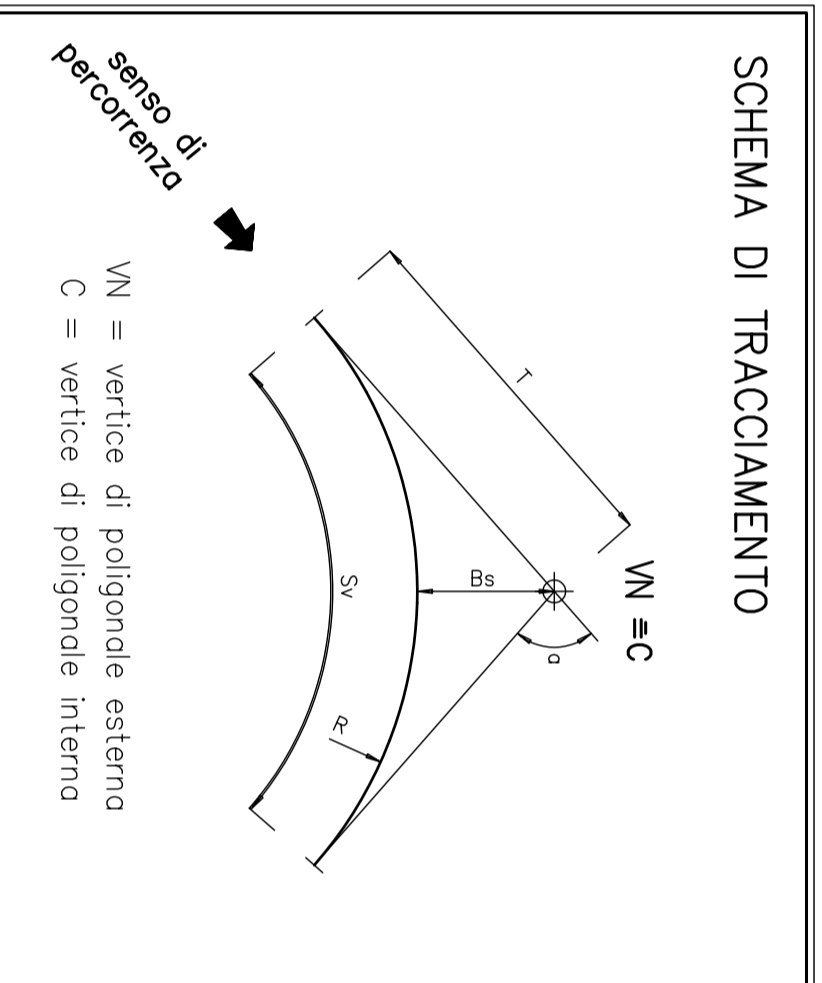
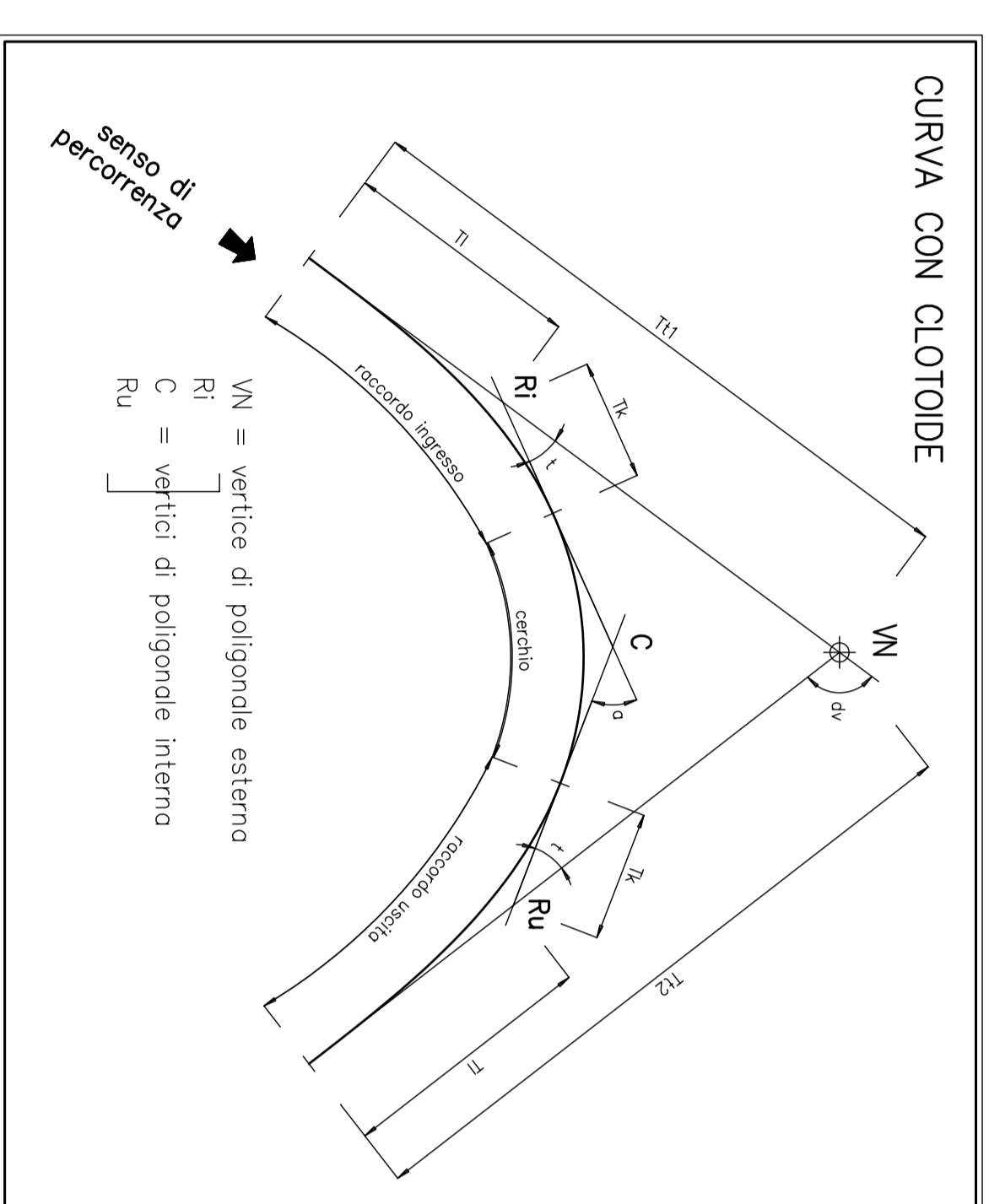
RA.10		X	87057,857	TI1	77,979
		Y	156715,635	TI2	77,979
		dv		15,7763	
RI	X	87077,788	C	X	87057,857
	Y	156751,084		Y	156688,628
A	n	150,000	R	q	400,000
		1,00			150,000
L	t	4,4782	Sv	T	4,4782
		56,250	T	L	56,250
TK	Bs	37,510		TK	18,759
		37,510			37,510

RA.12		X	86948,599	TI1	190,106
		Y	156291,772	TI2	190,103
		dv		8,1114	
RI	X	86877,833	C	X	86948,599
	Y	156394,480		Y	156292,887
A	n	500,000	R	q	2000,000
		1,00			4,125
L	t	1,9894	Sv	T	129,825
		125,000	T	L	64,938
TK	Bs	41,671		TK	1,094
		83,338			83,338

RA.13		X	86715,394	TI1	101,337
		Y	155980,848	TI2	101,335
		dv		8,5078	
RI	X	86738,891	C	X	86715,394
	Y	156055,895		Y	155981,700
A	n	250,000	R	q	10,000
		1,00			4,9288
L	t	1,9894	Sv	T	77,423
		62,500	T	L	38,131
TK	Bs	20,835		TK	0,750
		41,669			41,669

RA.8		X	87250,809	TI1	421,833
		Y	157535,205	TI2	300,071
		dv		-45,9153	
RI	X	8748,638	C	X	87250,809
	Y	15796,798		Y	157688,975
A	n	420,000	R	q	1200,000
		1,00			-8,5959
L	t	-3,8983	Sv	T	124,331
		147,000	T	L	62,221
TK	Bs	49,018		TK	1,617
		98,036			81,874

RA.11		X	86930,422	TI1	108,726
		Y	156579,184	TI2	108,726
		dv		-30,1692	
RI	X	86982,685	C	X	86930,422
	Y	156635,113		Y	156579,582
A	n	130,000	R	q	350,000
		1,00			-21,3855
L	t	-4,3914	Sv	T	117,518
		48,285	T	L	59,348
TK	Bs	16,103		TK	4,596
		32,199			32,199



**REGIONE LAZIO**  
 ASS.TO TRASPORTI E LAVORI PUBBLICI  
 DIP.TO TERRITORIO - DIR. REGIONALE INFRASTRUTTURE  
 Via Capellan, Biavastro, 108-110  
 00154 ROMA

**" LAVORI DI COLLEGAMENTO CANEPINA - VALLERANO - VIGNANELLO CON LA ORTE - CIVITAVECCHIA "**  
**- PROGETTO DEFINITIVO -**



Responsabile unico del procedimento (art. 7 L. 108/94 e succ. mod. ed inl.): Dott. Ing. B.M. Fabrizio

ELABORATO: **TR02-ST009.dwg**

PROGETTISTA: **ING. GUIDO VESTRONI**  
 Via. Giovanni XXIII, 11 - Capranica (VT)  
 Tel. 0764-479795 Fax 0761-669755  
 E-mail: guidov@vnet.it

DATA: **MAGGIO 2004**

AGGIORNAMENTI:

VISTO DI APPROVAZIONE

SCALA: 1:2000