

PARCO EOLICO SV3 - BRIC CIAN DE VACHE'

Il Committente: **Duferco**
Sviluppo

Sede Legale DUFERCO Sviluppo S.p.A. :
via Armando Diaz n. 248
25010, San Zeno Naviglio (BS)
P.IVA e C.F. 03594850178

Oggetto:
PARTICOLARI COSTRUTTIVI

Titolo:
SCHEDA AEROGENERATORE V162

Il Progettista



Ing. Silvio Mario Bauducco

Data	Emis.	Aggiornamento	Data	Contr.	Data	Autor.
02/2024	FO	Emissione	02/2024	MP	02/2024	SMB

SCALA: -

FORMATO: -

FEBBRAIO 2024

Commessa

Tip. impianto

Fase Progetto

Disciplina

Tip. Doc

Titolo

N. Elab

REV

23056

EO

DE

GN

DS

13

0001

A

RICERCA, SVILUPPO E COORDINAMENTO IMPIANTI EOLICI E FOTOVOLTAICI A CURA DI:



Sede Amministrativa e Operativa
via Benessia, 14 12100 Cuneo (CU)
tel 335.6012098
e-mail: emmecsr@s@gmail.com

Geom. Domenico Bresciano

PROGETTAZIONE EDILE, AMBIENTALE, STRUTTURALE ED IMPIANTISTICA A CURA DI:



Sede Amministrativa via Maroncelli, 23 10024 Moncalieri (TO)
tel 011.6052113 - 011.6059915 e-mail: amministrazione@bautel.it
Sede Operativa Torino - via Maroncelli, 23 10024 Moncalieri (TO)
Sede Operativa Genova - via Banderali, 2/4 16121 Genova (GE)

I Tecnici:

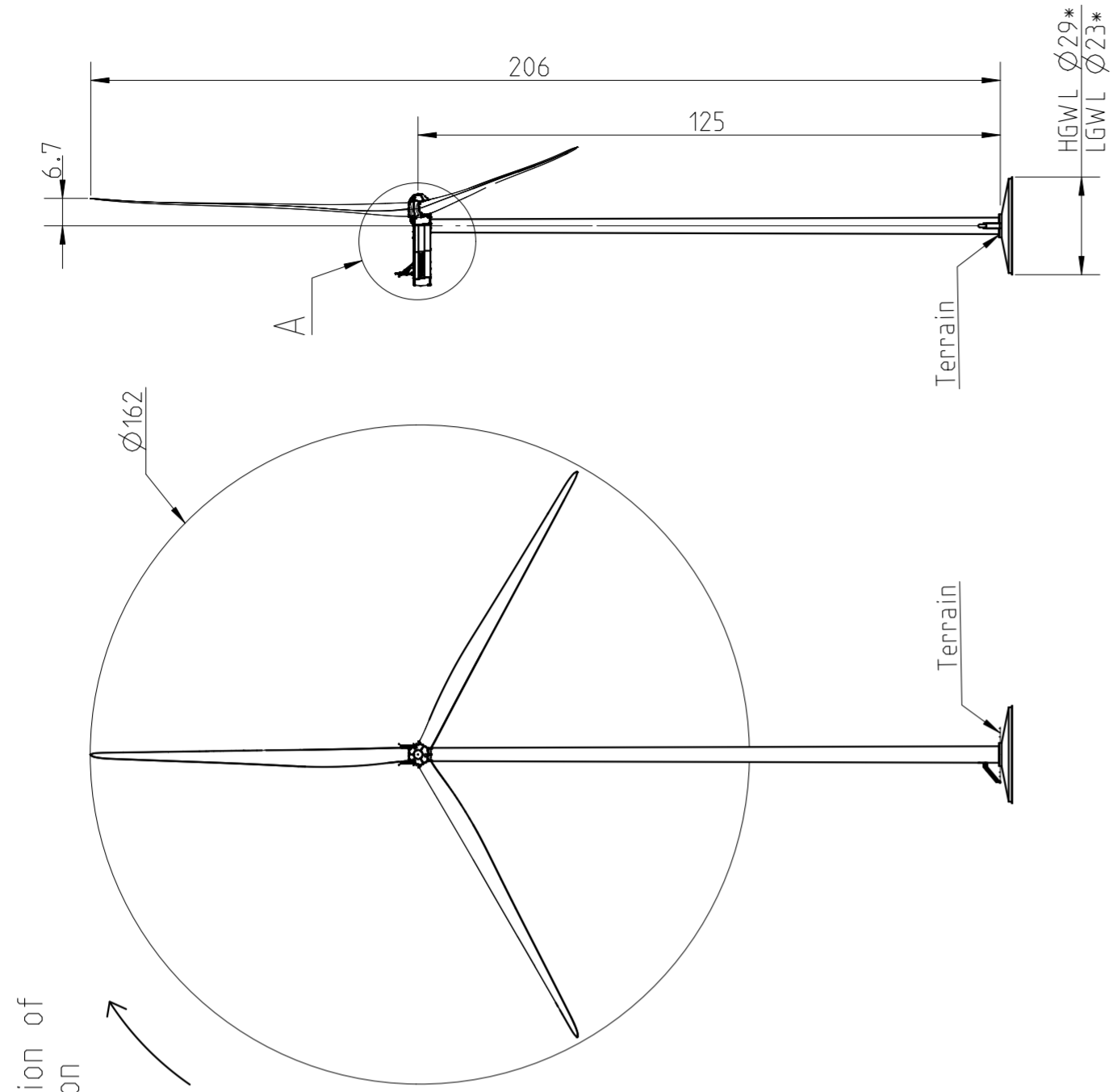
Coord. gruppo di progettazione
Ing. Silvio Mario Bauducco

Collaboratori

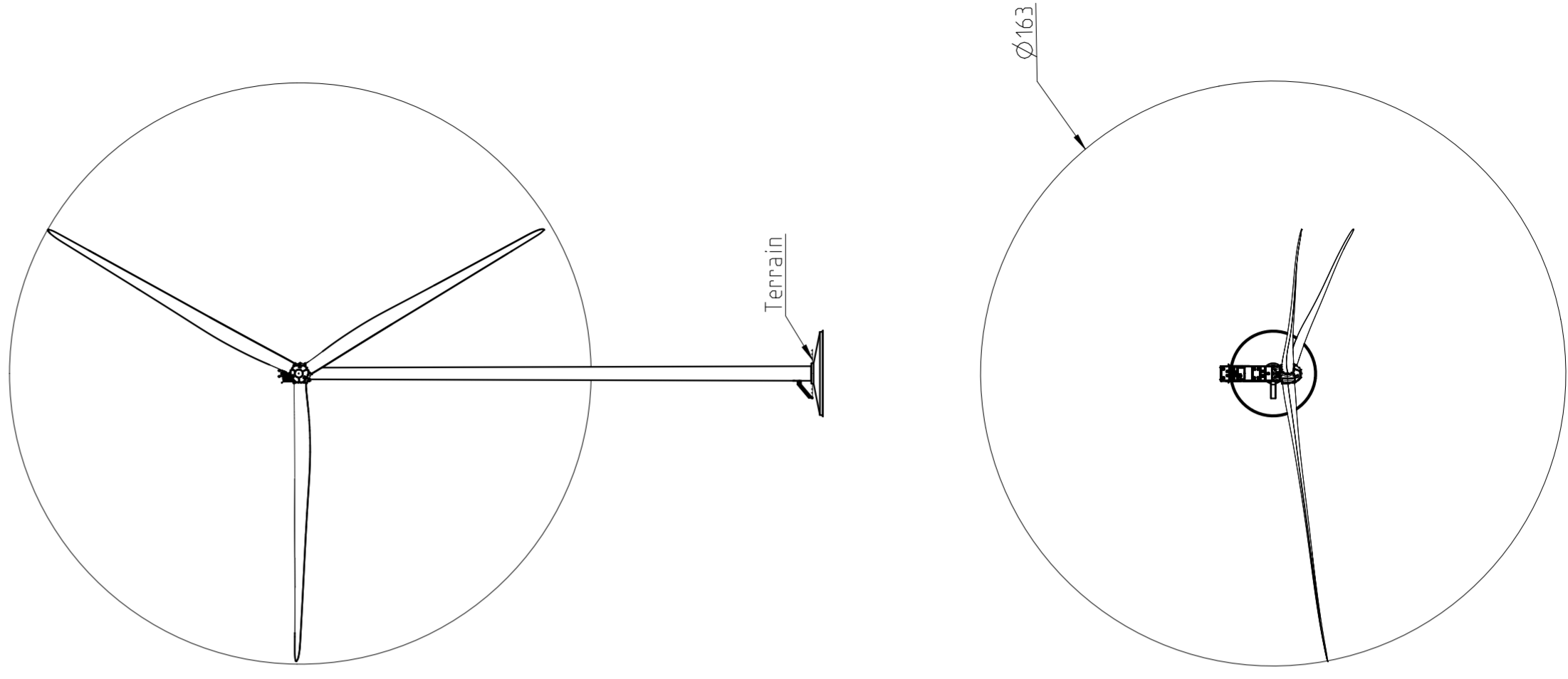
Geom. Benzoni Manuel
Per. Ind. Biasin Emanuele
Ing. Occhiuto Felice
Arch. Ostino Paolo
Arch. Pelleri Martina

File: testalini.dwg

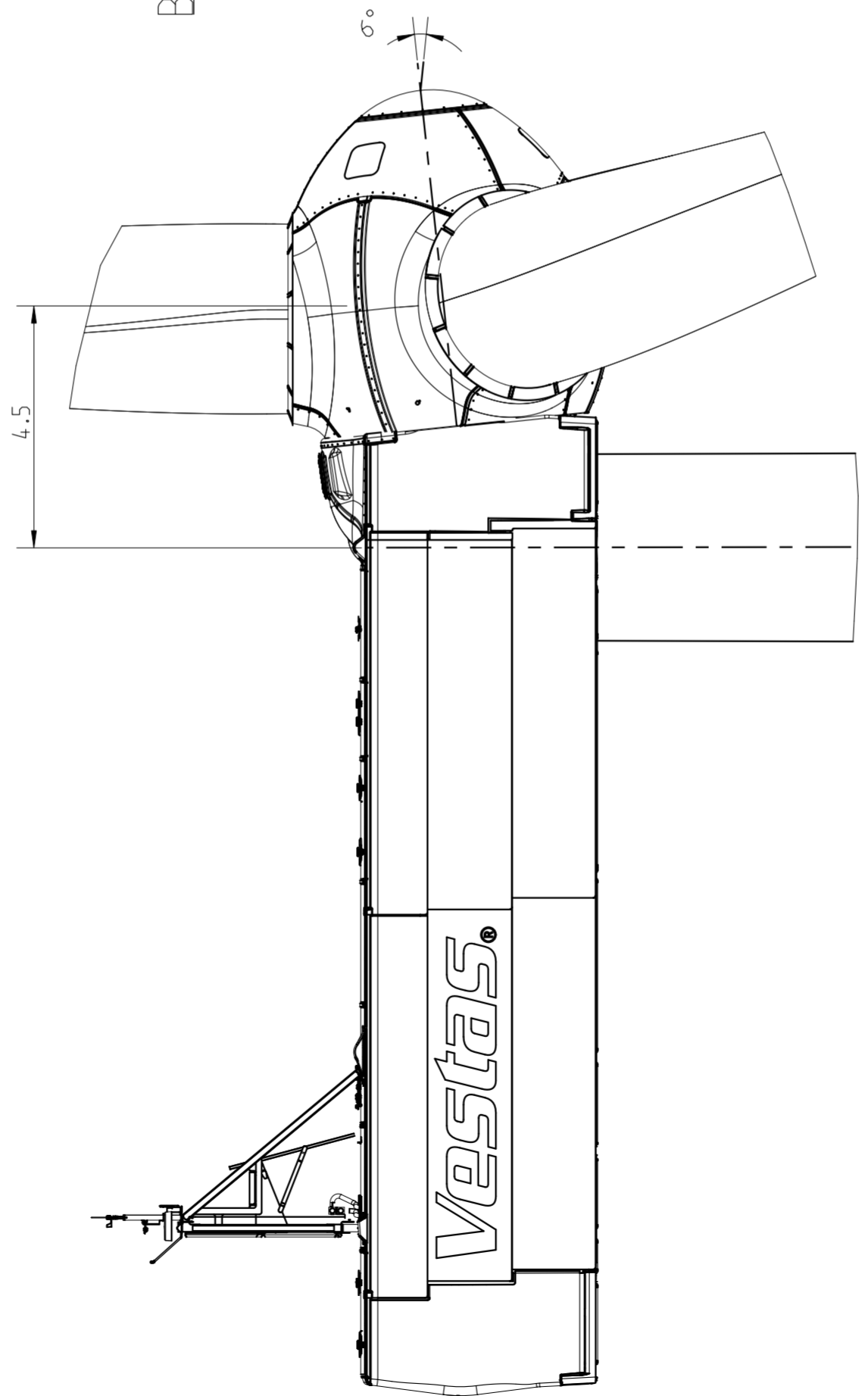
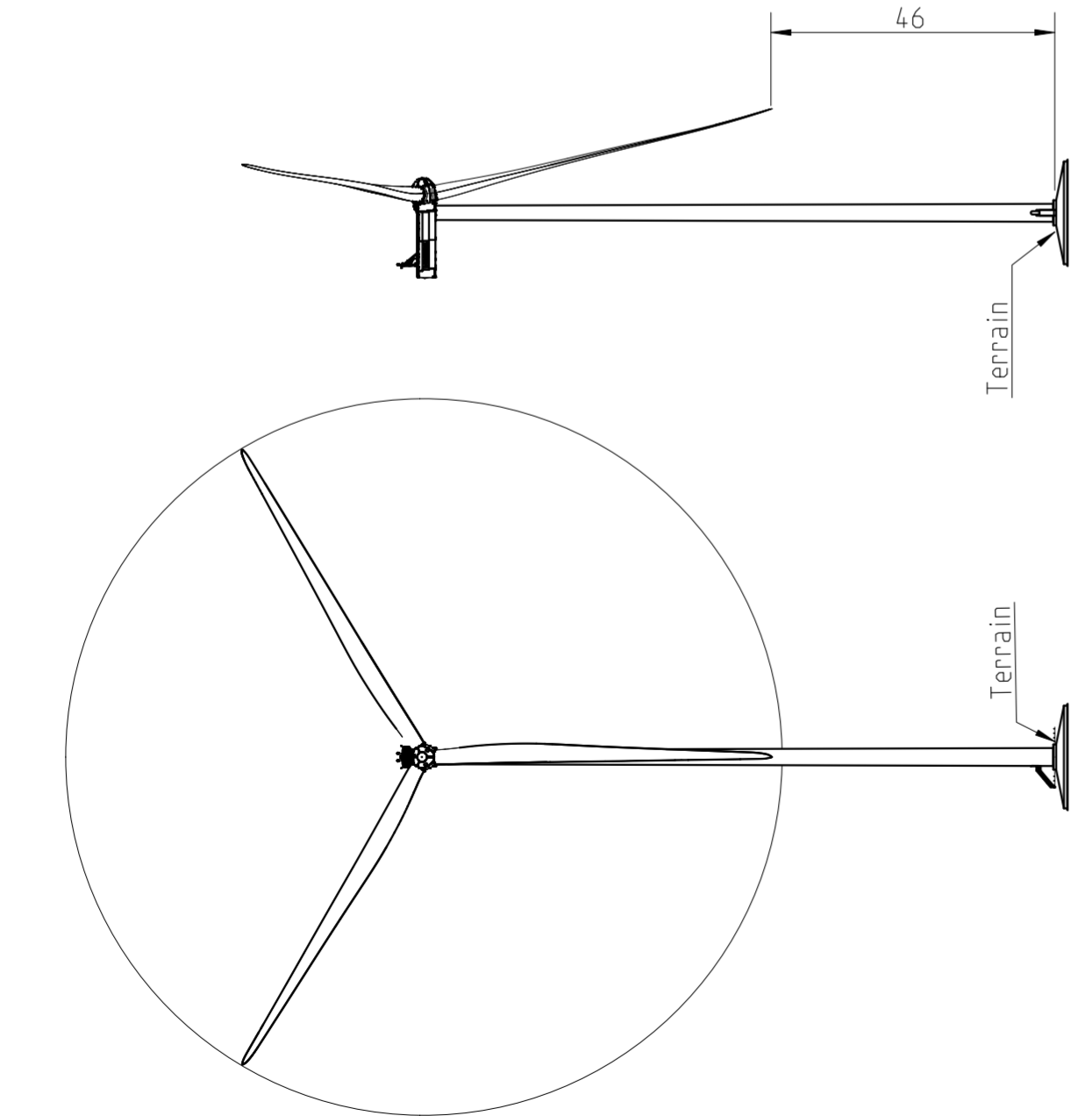
Blade in Inverted-Y Position



Blade in Horizontal Position



Blade in Y Position



Drawing is only for documentation of dimensions. Actual turbine design may differ in visual appearance.

*Foundation diameter is indicative and depends on actual site condition

All dimensions are shown in meters

Item no. 0079-6651	Mass (kg) -	Certificate -	Format A2	Status -	Revised by -	Created date -	Created by -
Material specification -			Scale 1:1500	Change no. -	PDM ver. -	Approved date -	Approved by -
Proj. -			Item description V162 HH125				
Pro/E			Metric		Replaces / Copy of	Drawing no. 0079-6651	
Dimensions shown in mm unless otherwise specified			-		Ver. 2	Sheet 1 of 1	

WARNING: PROPRIETARY AND CONFIDENTIAL INFORMATION. This document and the information set forth herein are confidential and proprietary to Vestas Wind Systems A/S. It contains trade secrets, and independent economic value, actual or potential, may be derived from the document/information not being generally known. In consideration of you receiving this document you agree (i) to keep the information secret (ii) only to use the information for the purpose specifically agreed with Vestas (iii) not to disclose directly or indirectly any part of the information to any third party and (iv) not to make copies or reproductions thereof by whatsoever means or undertake any qualitative or quantitative analysis, reverse engineering or replication.