



PROPONENTE

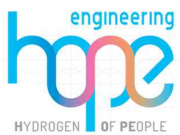


PROGETTO PER LA REALIZZAZIONE DI UN PARCO EOLICO OFFSHORE  
NELLO STRETTO DI SICILIA - EUREKA WIND  
38 WTG – 570 MW

**PROGETTO DEFINITIVO - SIA**

GRUPPO DI PROGETTAZIONE

Progettazione e Studio di Impatto Ambientale



GEOWYND



Studio misure di mitigazione e compensazione



**4\_STAZIONE DI TRASFORMAZIONE OFFSHORE**

REV. DATA DESCRIZIONE

**T.4.3 Sottostazione offshore - elaborati grafici strutture metalliche**

00	07/24	1ª emissione



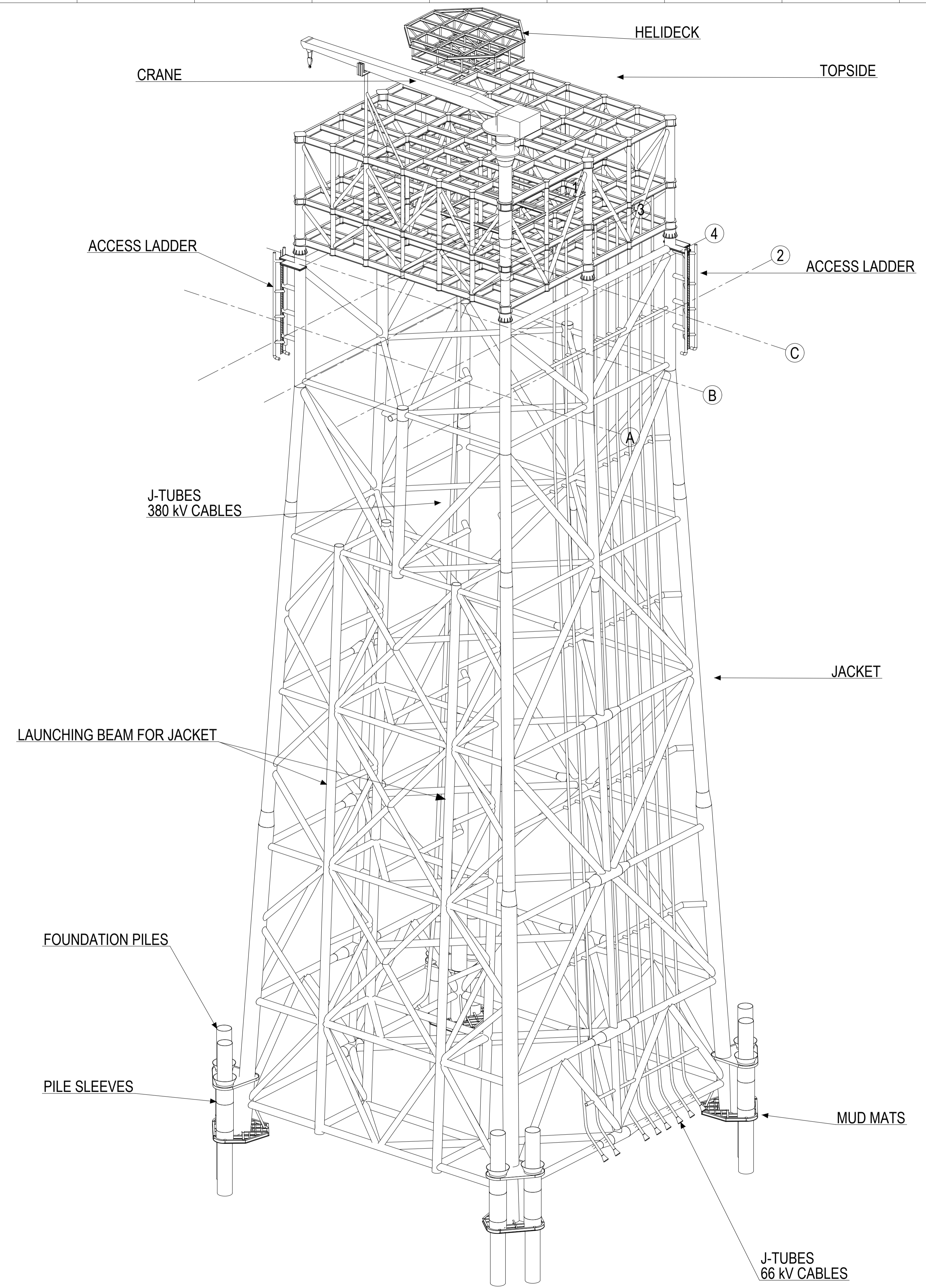


1 2 3 4 5 6 7 8 9 10 11 12

13 14 15 16

A  
B  
C  
D  
E  
F  
G  
H  
L  
M  
N  
P

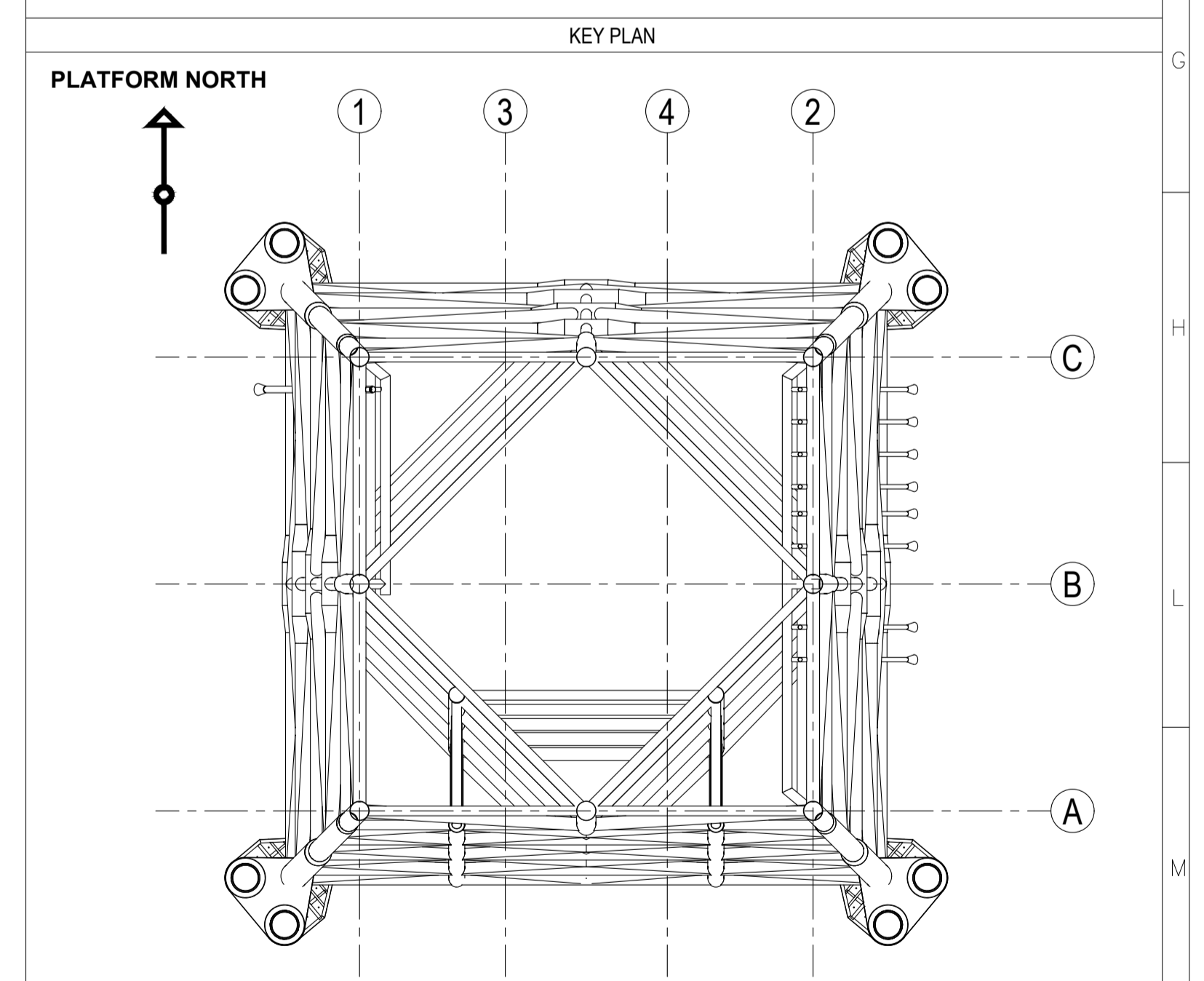
A  
B  
C  
D  
E  
F  
G  
H  
L  
M  
N  
P



REFERENCE DOCUMENTS		
REF	DOC TAG	DESCRIPTION

**NOTES**

1 - ALL DIMENSIONS ARE IN mm U.N.O.  
2 - ALL ELEVATION ARE IN m REFERRED TO L.A.T.



00	16.04.2024	FM	GP	MT	First Issue
Rev.	Date	Created by	Checked by	Approved by	Description
Customer		Project			Customer Document ID
Eureka Srl		Eureka Offshore Substation			-
Project ID		Replacing		Based on	Scale
12084		-		-	NTS
Responsible Department		Created by		Checked by	Approved by
-		Fabio Maroni		Giulio Pascolini	Mauro Tavola
Title		Document ID			
SUBSTATION ASSEMBLY - ISOMETRIC VIEW		12084-CDD-100			
Rev.	Rel. Date	Page			
00	16.04.2024	1/1			

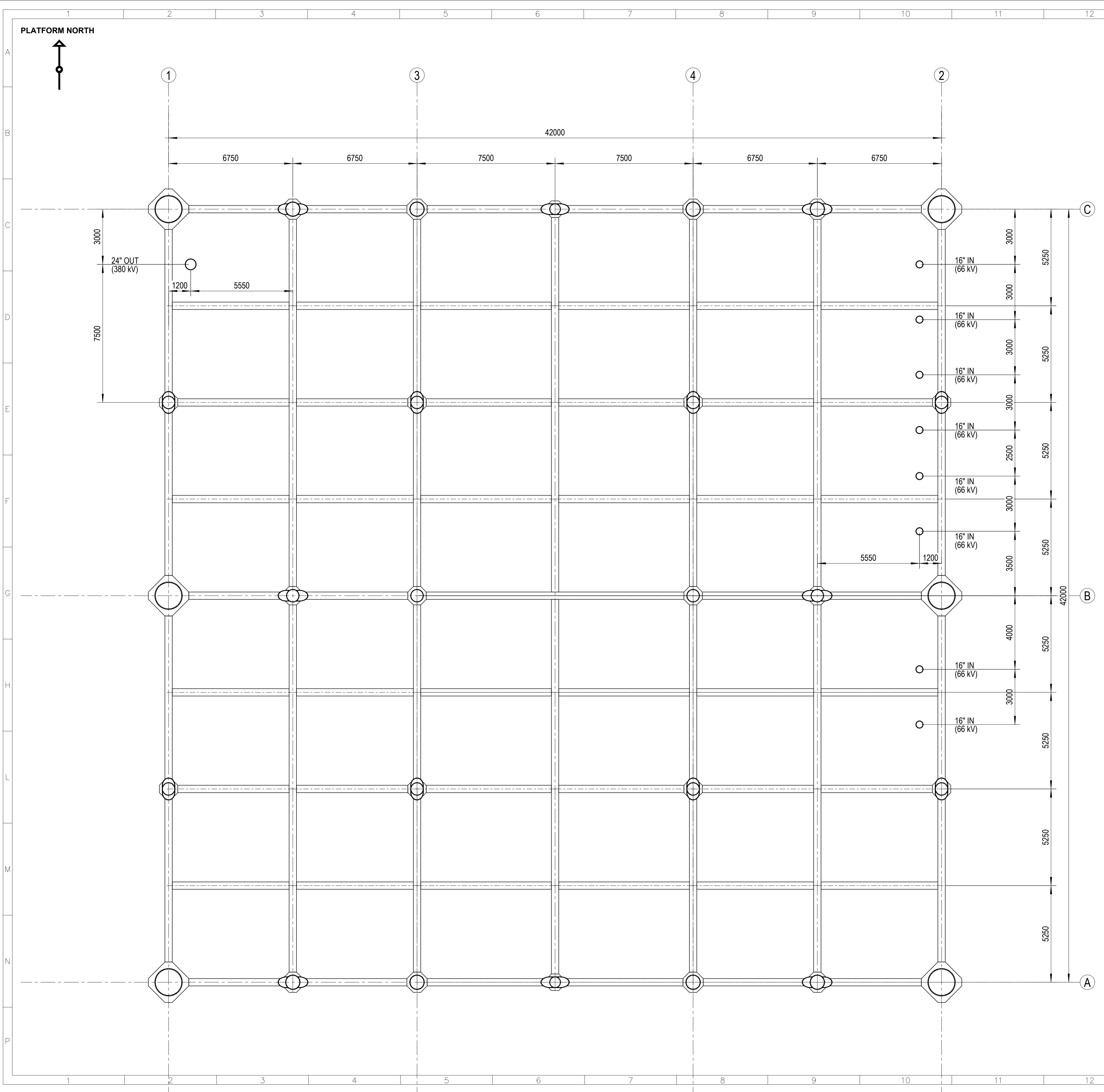
1 2 3 4 5 6 7 8 9 10 11 12

13 14 15 16

File name: 12084-CDD-100\_010.dwg

Mod. UNI-EN-5710





REFERENCE DOCUMENTS		
REF	DOC TAG	DESCRIPTION
1	12084-CDD-100	SUBSTATION - ASSEMBLY - ISOMETRIC VIEW

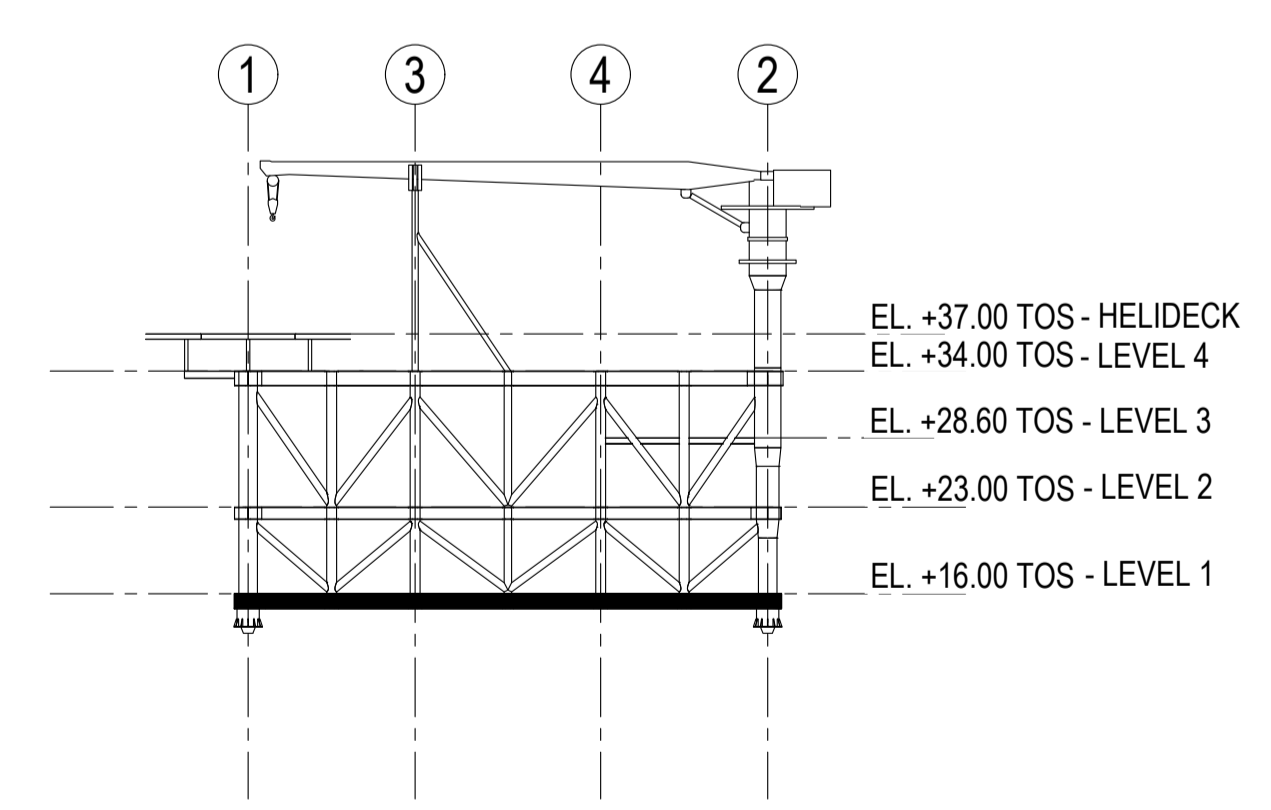
  

**NOTES**

1 - ALL DIMENSIONS ARE IN mm U.N.O.  
2 - ALL ELEVATION ARE IN m REFERRED TO L.A.T.

**KEY ELEVATION**

Rev.	Date	Created by	Checked by	Approved by	Description
00	16.04.2024	FM	GP	MT	First Issue

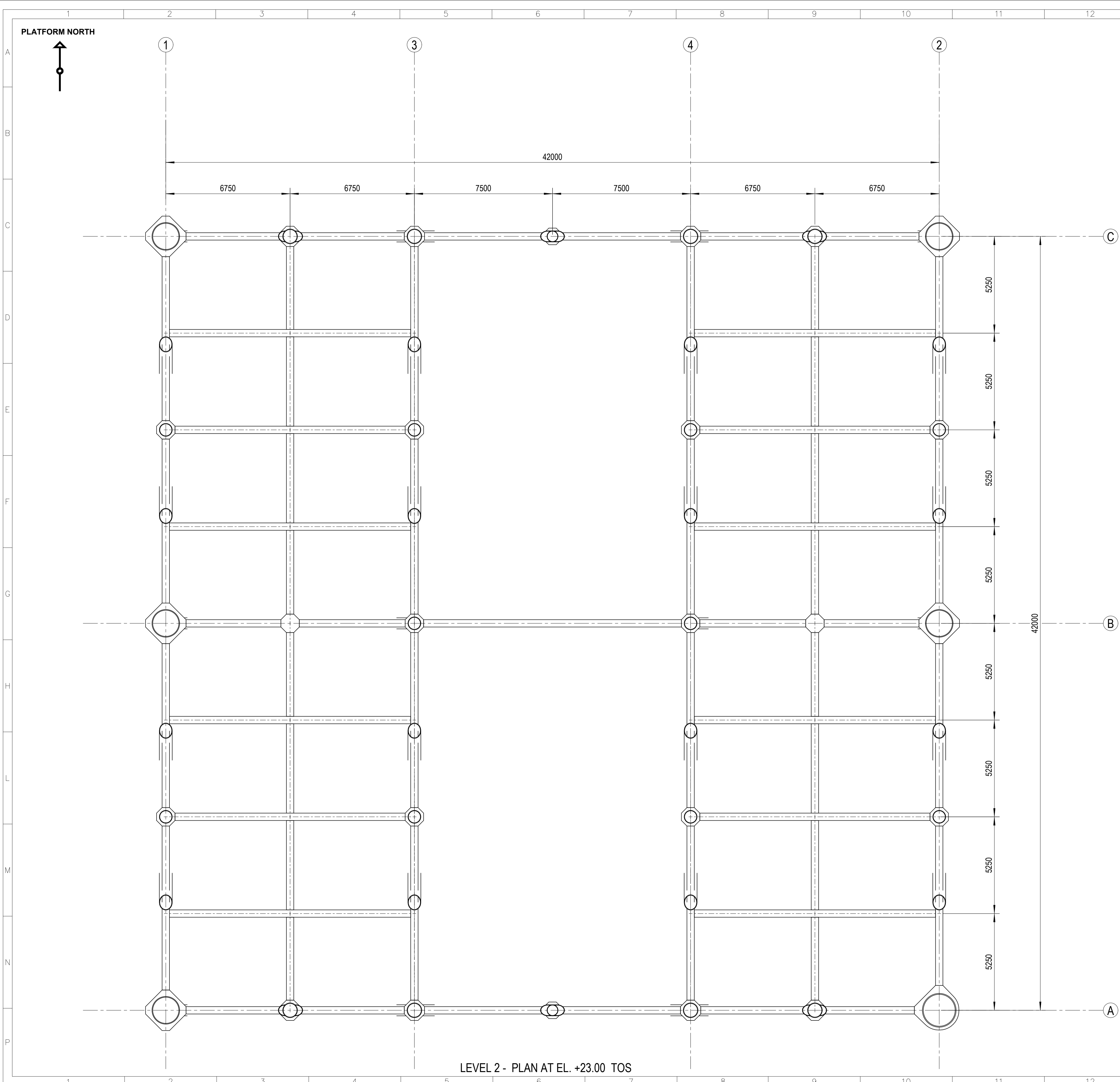
  

Customer	Project		Customer Document ID
Eureka Srl	Eureka Offshore Substation		-
Project ID	Replacing	Based on	Scale
12084	-	-	1:100
Responsible Department	Created by	Checked by	Approved by
-	Fabio Maroni	Giulio Pascolini	Mauro Tavola
Title		Document ID	
SUBSTATION TOPSIDES - LEVEL 1		12084-CDD-101	
Rev.	Rel. Date	Page	
00	16.04.2024	1/1	

File name: 12084-CDD-101\_010.dwg



Mod. UNI-EN-1010



LEVEL 2 - PLAN AT EL. +23.00 TOS

REFERENCE DOCUMENTS		
REF	DOC TAG	DESCRIPTION
1	12084-CDD-100	SUBSTATION - ASSEMBLY - ISOMETRIC VIEW

**NOTES**

1 - ALL DIMENSIONS ARE IN mm U.N.O.  
 2 - ALL ELEVATION ARE IN m REFERRED TO L.A.T.

**KEY ELEVATION**

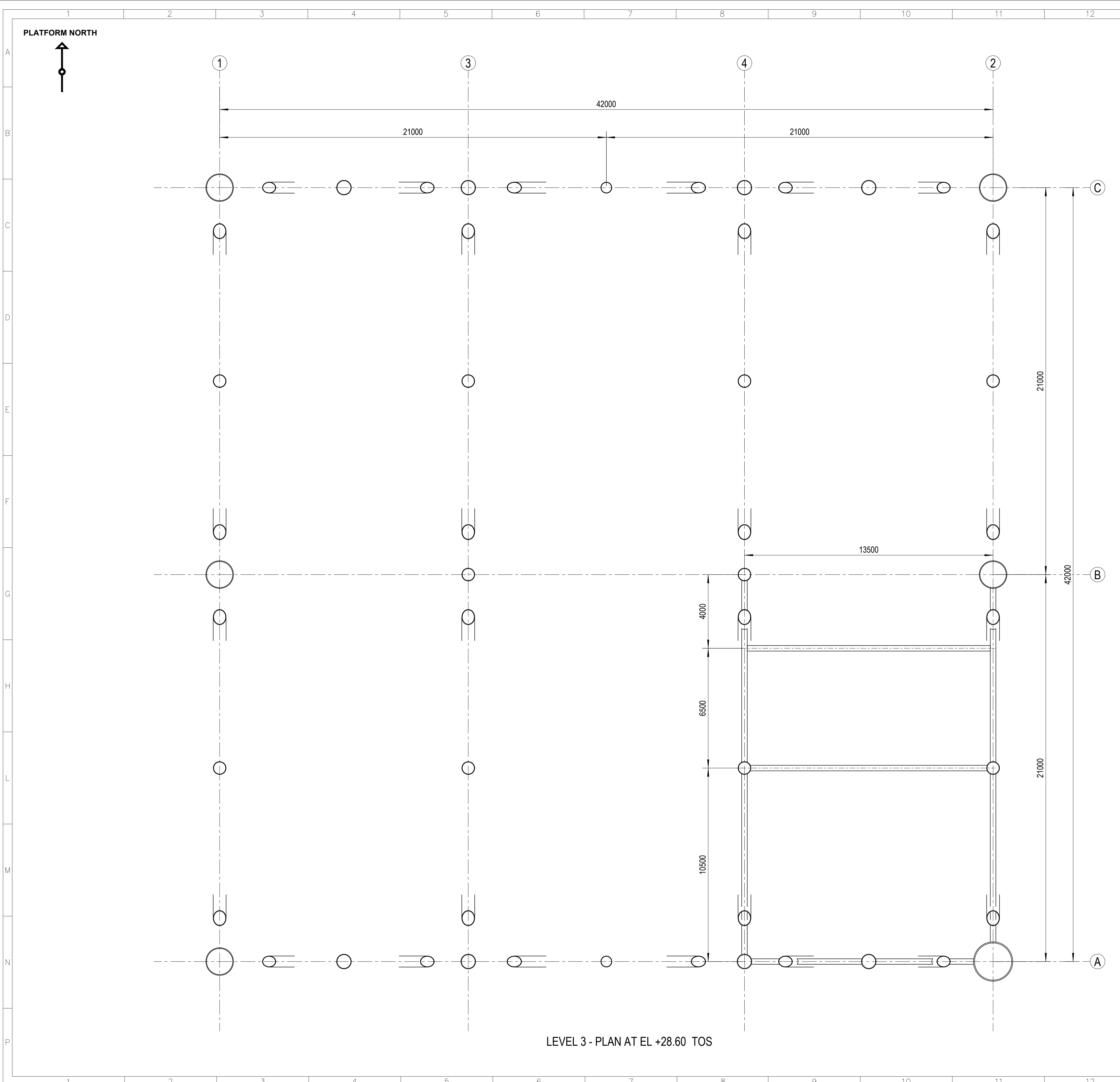
  

00	16.04.2024	FM	GP	MT	First Issue
Rev.	Date	Created by	Checked by	Approved by	Description
Customer		Project			Customer Document ID
Eureka Srl		Eureka Offshore Substation			-
Project ID		Replacing	Based on	Scale	Format
12084		-	-	1:100	A1
Responsible Department		Created by	Checked by	Approved by	
-		Fabio Maroni	Giulio Pascolini	Mauro Tavola	
Title				Document ID	
SUBSTATION TOPSIDES - LEVEL 2				12084-CDD-102	
Rev.		Rel. Date		Page	
00		16.04.2024		1/1	

File name: 12084-CDD-102\_00.dwg



Mod. UNI-A1/D



LEVEL 3 - PLAN AT EL +28.60 TOS

REFERENCE DOCUMENTS					
REF	DOC TAG	DESCRIPTION			
1	12084-CDD-100	SUBSTATION - ASSEMBLY - ISOMETRIC VIEW			

NOTES					
1 - ALL DIMENSIONS ARE IN mm U.N.O.					
2 - ALL ELEVATION ARE IN m REFERRED TO L.A.T.					

KEY ELEVATION					

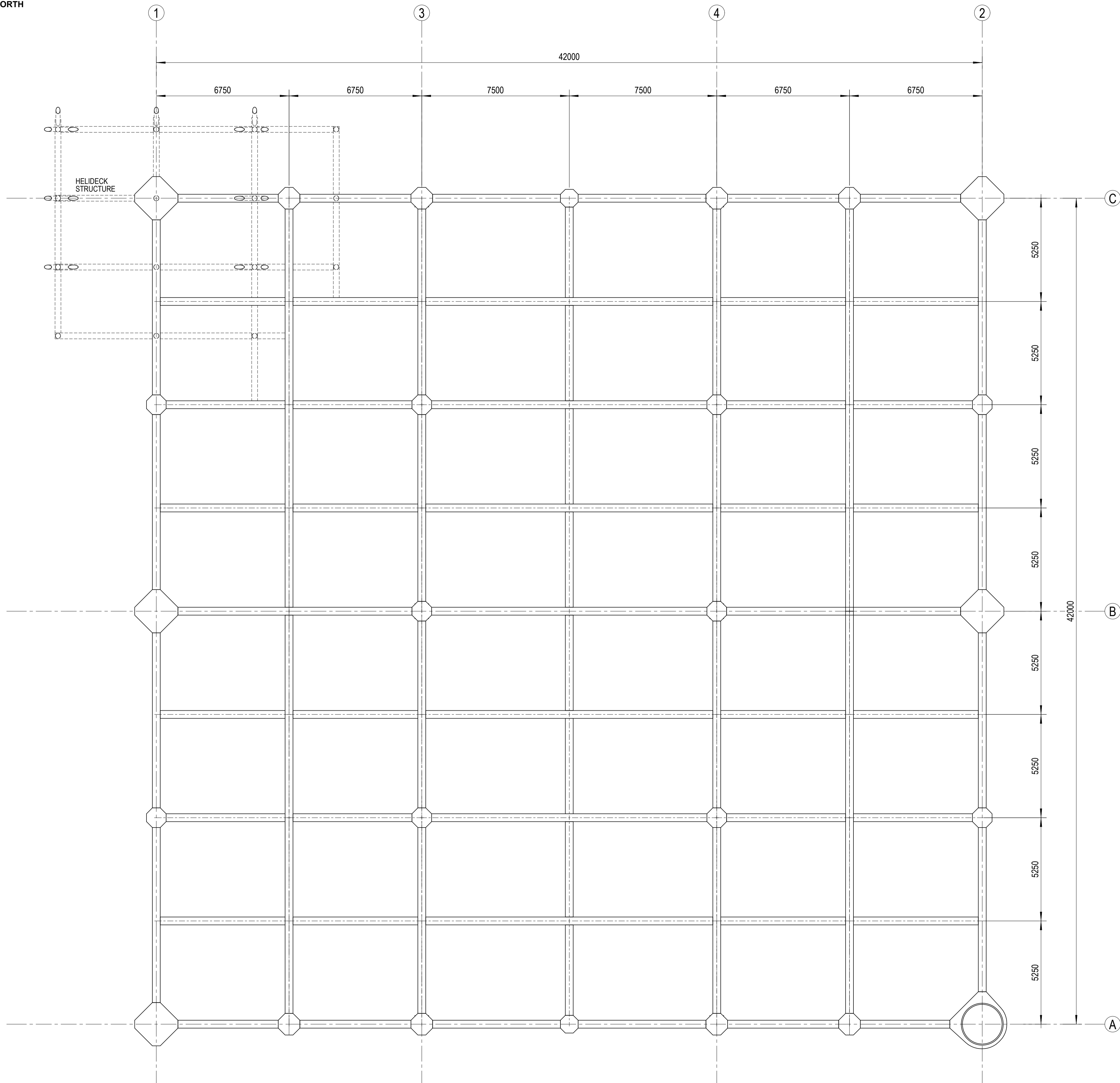
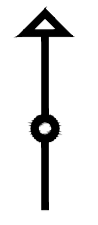
00	16.04.2024	FM	GP	MT	First Issue
Rev.	Date	Created by	Checked by	Approved by	Description
Customer		Project			Customer Document ID
Eureka Srl		Eureka Offshore Substation			-
Project ID		Replacing	Based on	Scale	Format
12084		-	-	1:100	A1
Responsible Department		Created by	Checked by	Approved by	
-		Fabio Maroni	Giulio Pascolini	Mauro Tavola	
Title		Document ID			
SUBSTATION TOPSIDES - LEVEL 3		12084-CDD-103			
KKS-NO: -		Rev.	Rel. Date	Page	
		00	16.04.2024	1/1	

File name: 12084-CDD-103\_00.dwg



Mod. UNI-A1/D

PLATFORM NORTH



LEVEL 4 - PLAN AT EL. +34.00 TOS

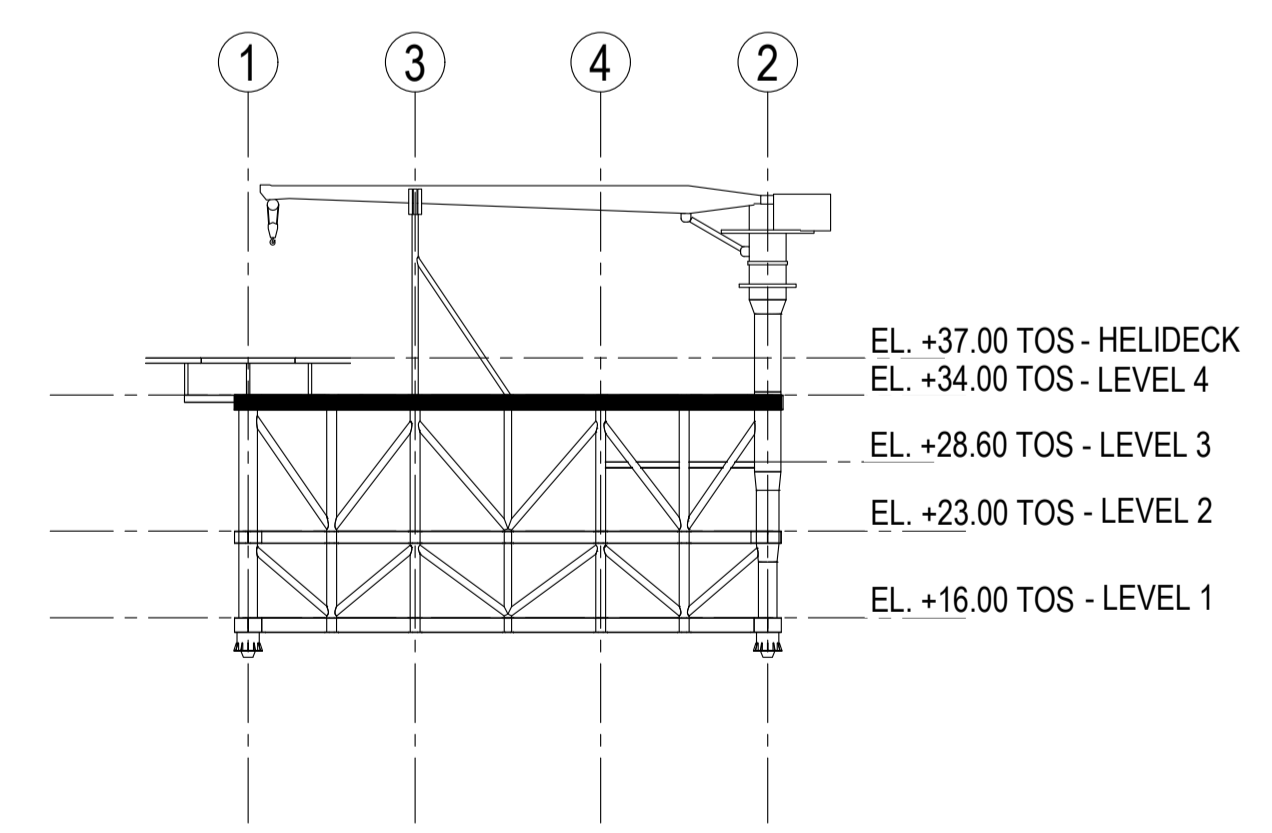
REFERENCE DOCUMENTS

REF	DOC TAG	DESCRIPTION
1	12084-CDD-100	SUBSTATION - ASSEMBLY - ISOMETRIC VIEW

NOTES

- 1 - ALL DIMENSIONS ARE IN mm U.N.O.
- 2 - ALL ELEVATION ARE IN m REFERRED TO L.A.T.

KEY ELEVATION

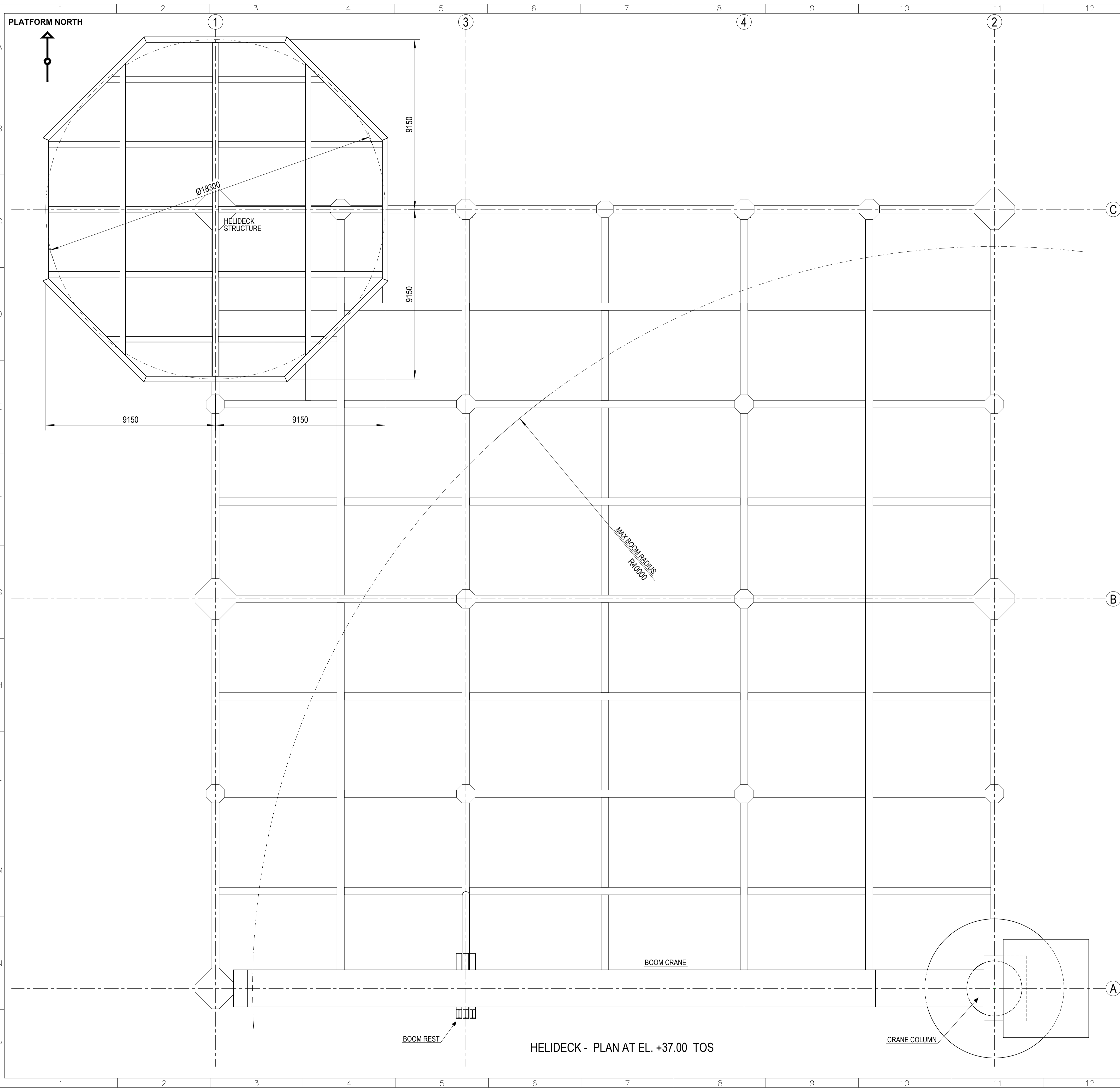


Rev.	Date	Created by	Checked by	Approved by	Description
00	16.04.2024	FM	GP	MT	First Issue
Customer		Project			Customer Document ID
Eureka Srl		Eureka Offshore Substation			-
Project ID		Replacing		Based on	Scale
12084		-		-	1:100
Responsible Department		Created by		Checked by	Approved by
-		Fabio Maroni		Giulio Pascolini	Mauro Tavola
Title				Document ID	
SUBSTATION TOPSIDES - LEVEL 4				12084-CDD-104	
Rev.		Rel. Date		Page	
00		16.04.2024		1/1	

File name: 12084-CDD-104\_00.dwg



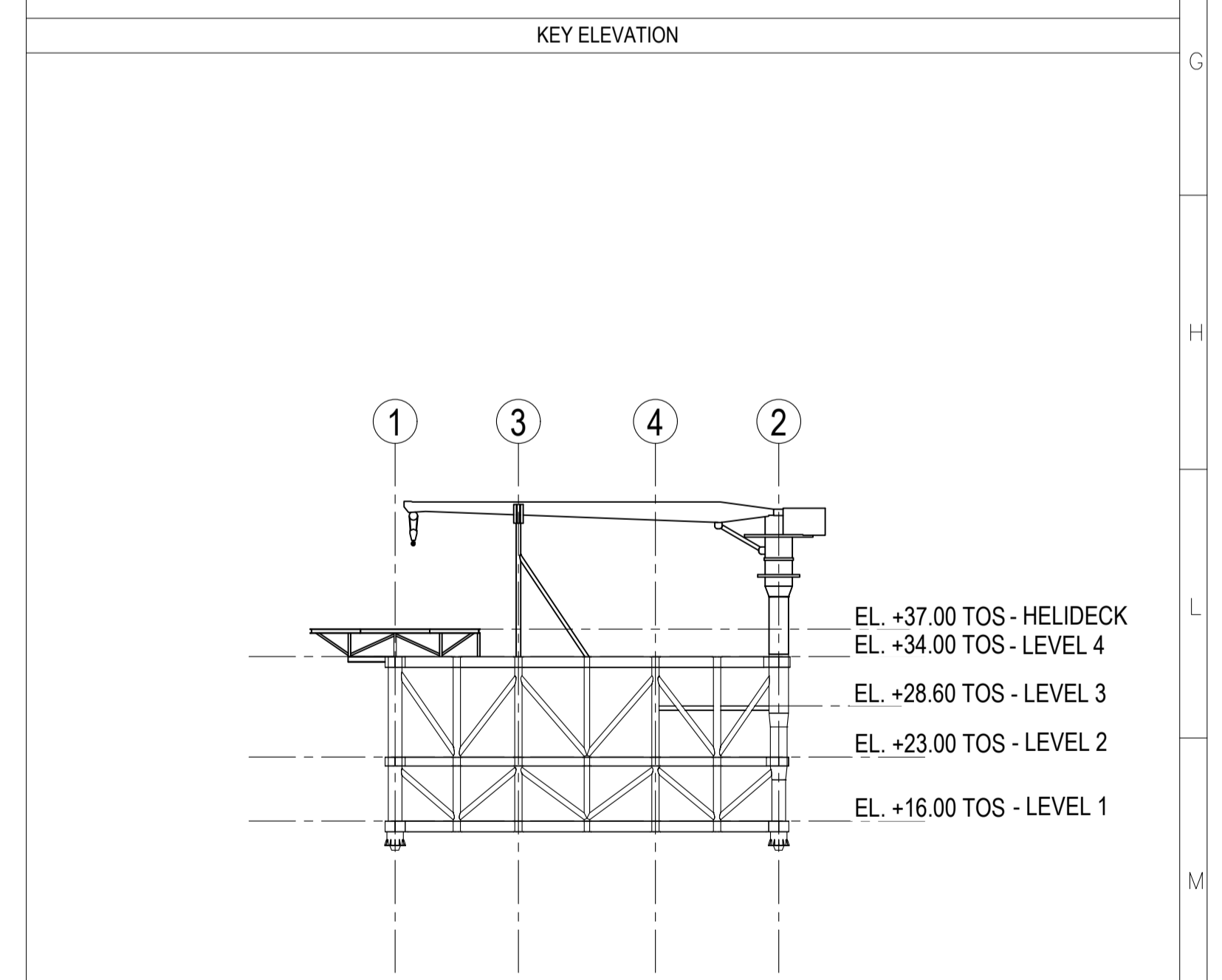
Mod. UNI-EN-170



REFERENCE DOCUMENTS		
REF	DOC TAG	DESCRIPTION
1	12084-CDD-100	SUBSTATION - ASSEMBLY - ISOMETRIC VIEW

**NOTES**

1 - ALL DIMENSIONS ARE IN mm U.N.O.  
 2 - ALL ELEVATION ARE IN m REFERRED TO L.A.T.



Rev.	Date	Created by	Checked by	Approved by	Description
00	16.04.2024	FM	GP	MT	First Issue

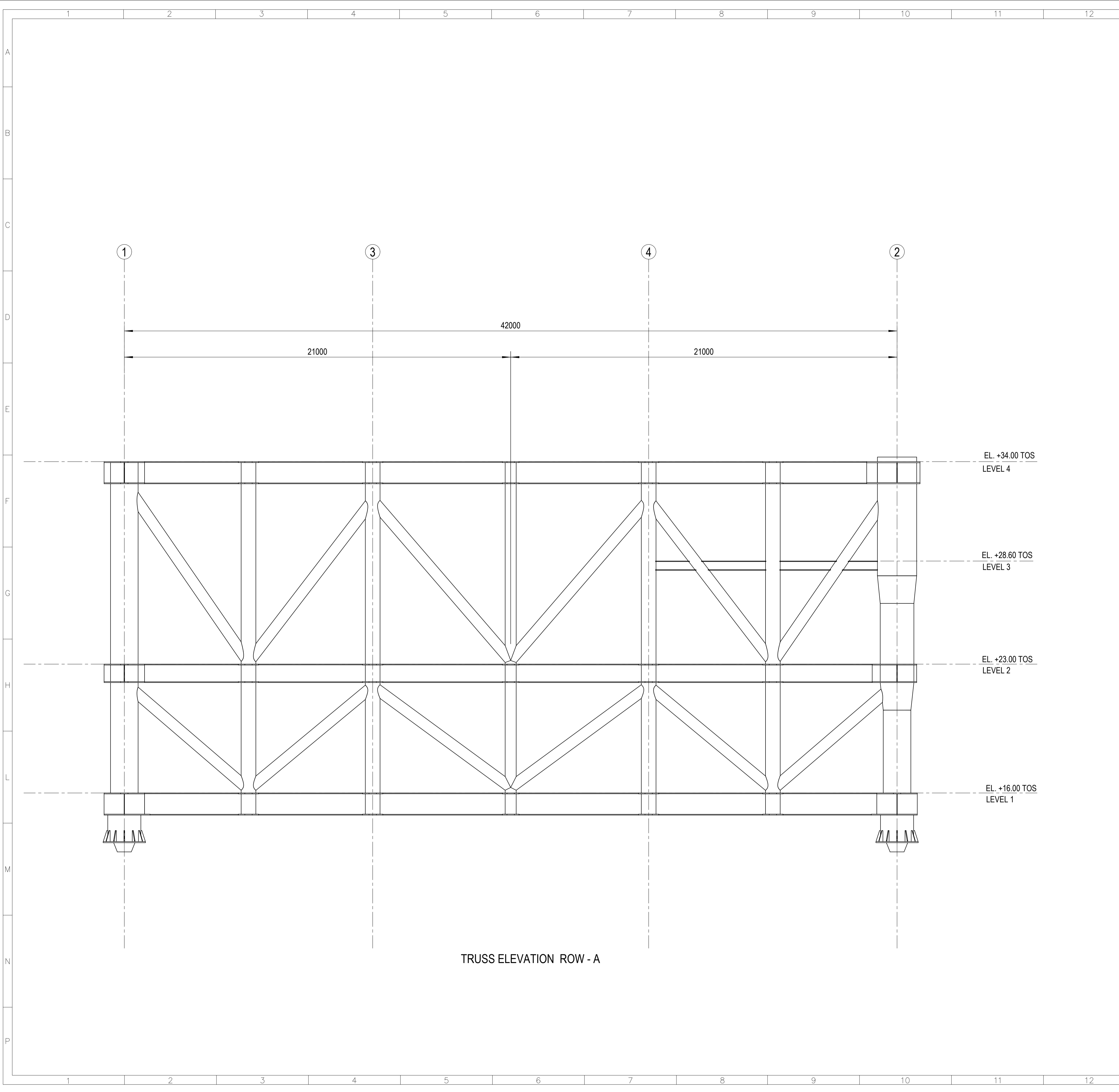
Customer	Project		Customer Document ID
Eureka Srl	Eureka Offshore Substation		-
Project ID	Replacing	Based on	Scale
12084	-	-	1:100
Responsible Department	Created by	Checked by	Approved by
-	Fabio Maroni	Giulio Pascolini	Mauro Tavola
Title			Document ID
SUBSTATION TOPSIDES - HELIDECK			12084-CDD-105
KKS-NO: -			Rev. Rel. Date Page
			00 16.04.2024 1/1

File name: 12084-CDD-105\_010.dwg



Mod. UNI-A1/0



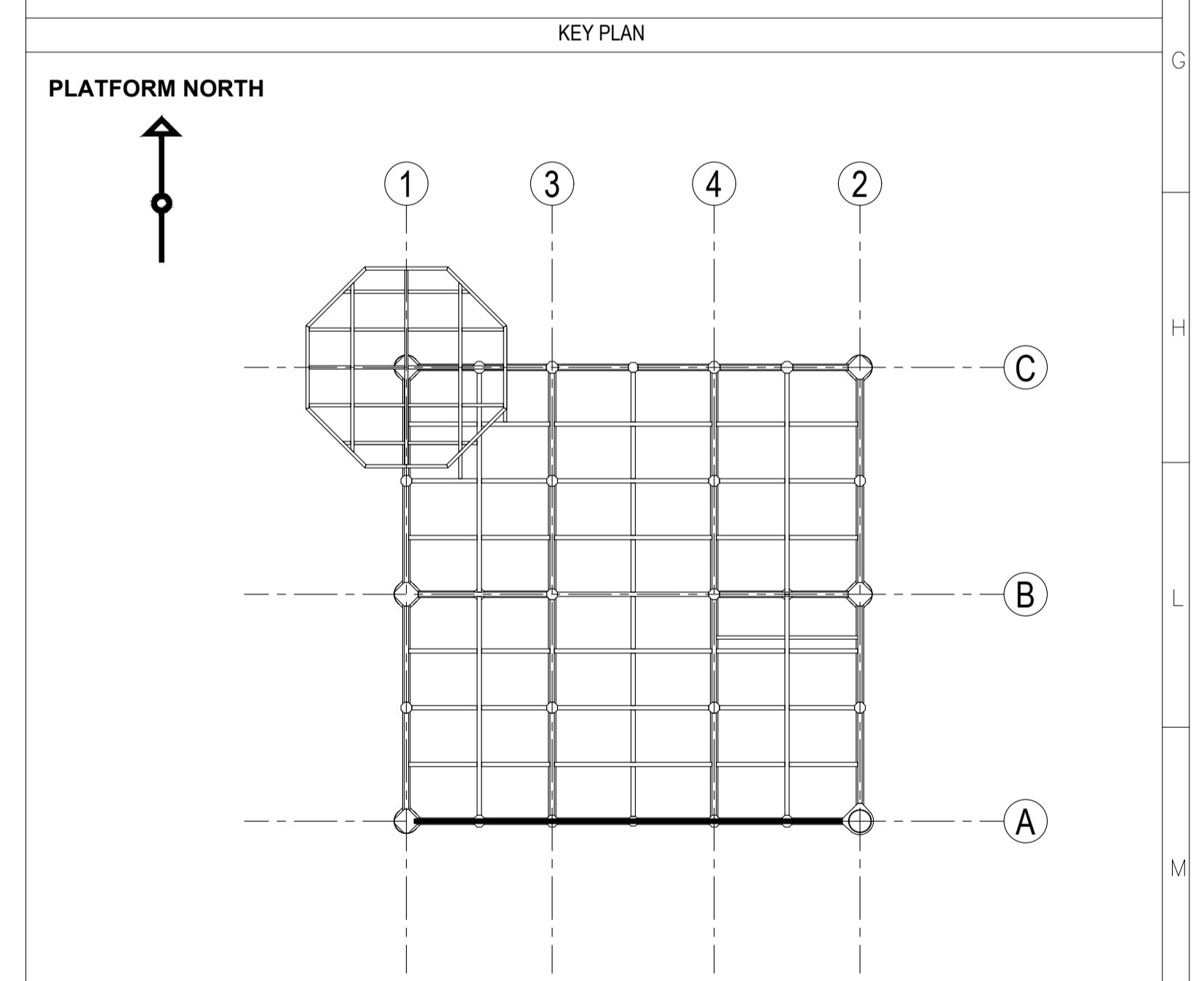


TRUSS ELEVATION ROW - A

REFERENCE DOCUMENTS		
REF	DOC TAG	DESCRIPTION
1	12084-CDD-100	SUBSTATION - ASSEMBLY - ISOMETRIC VIEW

**NOTES**

1 - ALL DIMENSIONS ARE IN mm U.N.O.  
 2 - ALL ELEVATION ARE IN m REFERRED TO L.A.T.



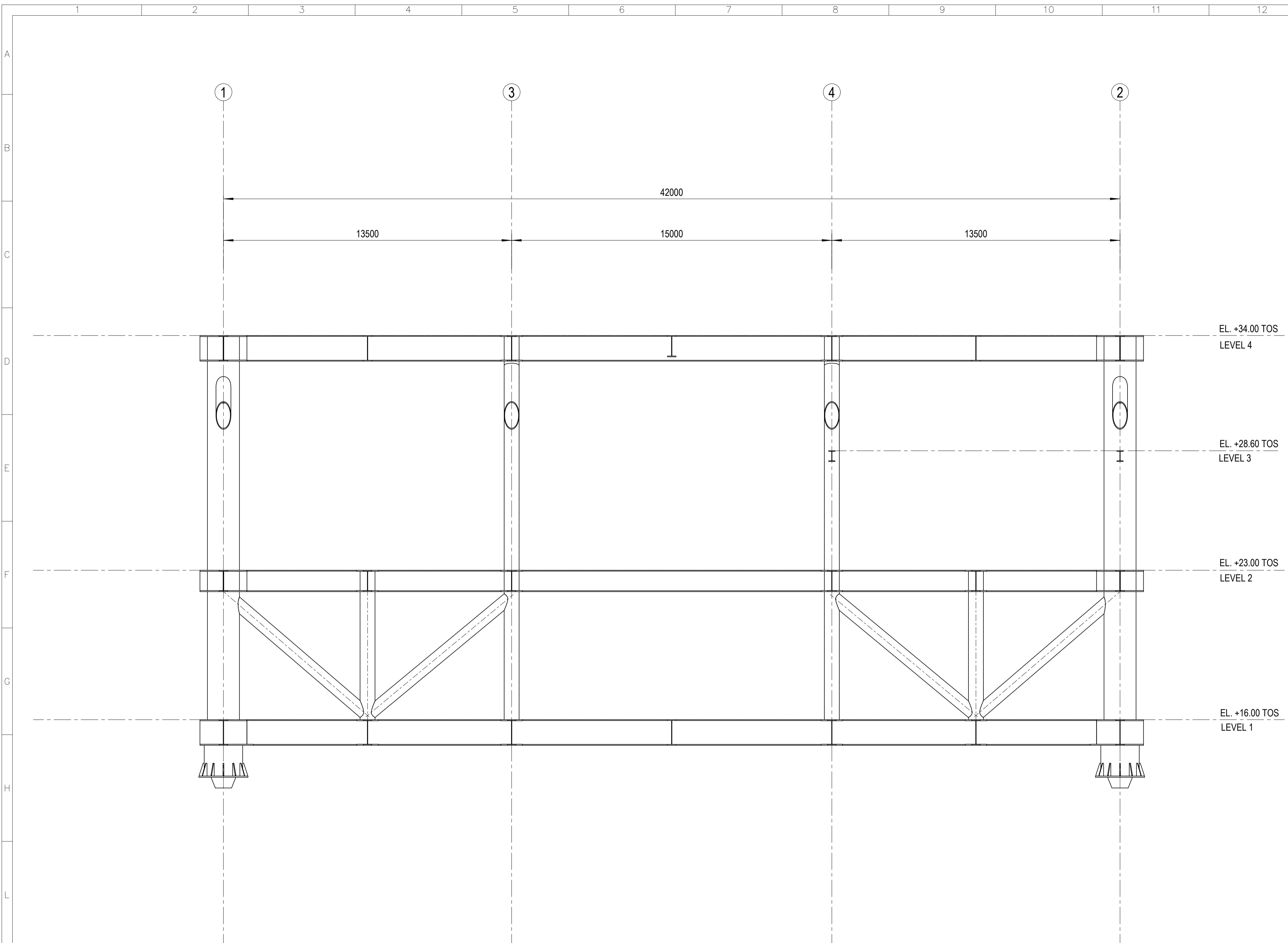
00	16.04.2024	FM	GP	MT	First Issue
Rev.	Date	Created by	Checked by	Approved by	Description
Customer		Project		Customer Document ID	
Eureka Srl		Eureka Offshore Substation		-	
Project ID		Replacing		Based on	
12084		-		-	
Responsible Department		Created by		Checked by	
-		Fabio Maroni		Giulio Pascolini	
Approved by		Title		Document ID	
Mauro Tavola		SUBSTATION TOPSIDES - ROW A		12084-CDD-106	
Rev.		Rel. Date		Page	
00		16.04.2024		1/1	

File name: 12084-CDD-106\_010.dwg



Mod. UNI-EN-10



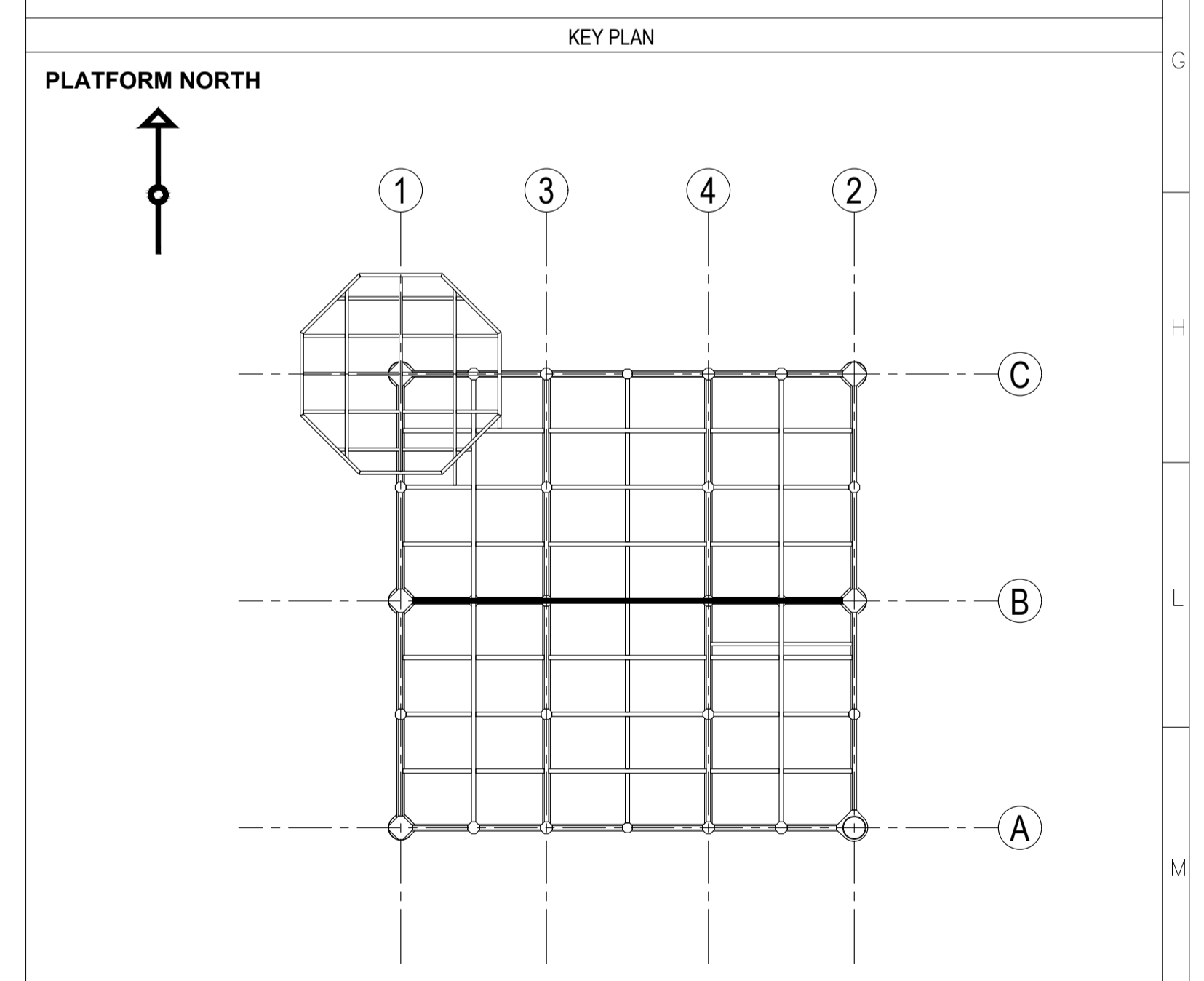


TRUSS ELEVATION ROW - B

REFERENCE DOCUMENTS		
REF	DOC TAG	DESCRIPTION
1	12084-CDD-100	SUBSTATION - ASSEMBLY - ISOMETRIC VIEW

**NOTES**

1 - ALL DIMENSIONS ARE IN mm U.N.O.  
 2 - ALL ELEVATION ARE IN m REFERRED TO L.A.T.

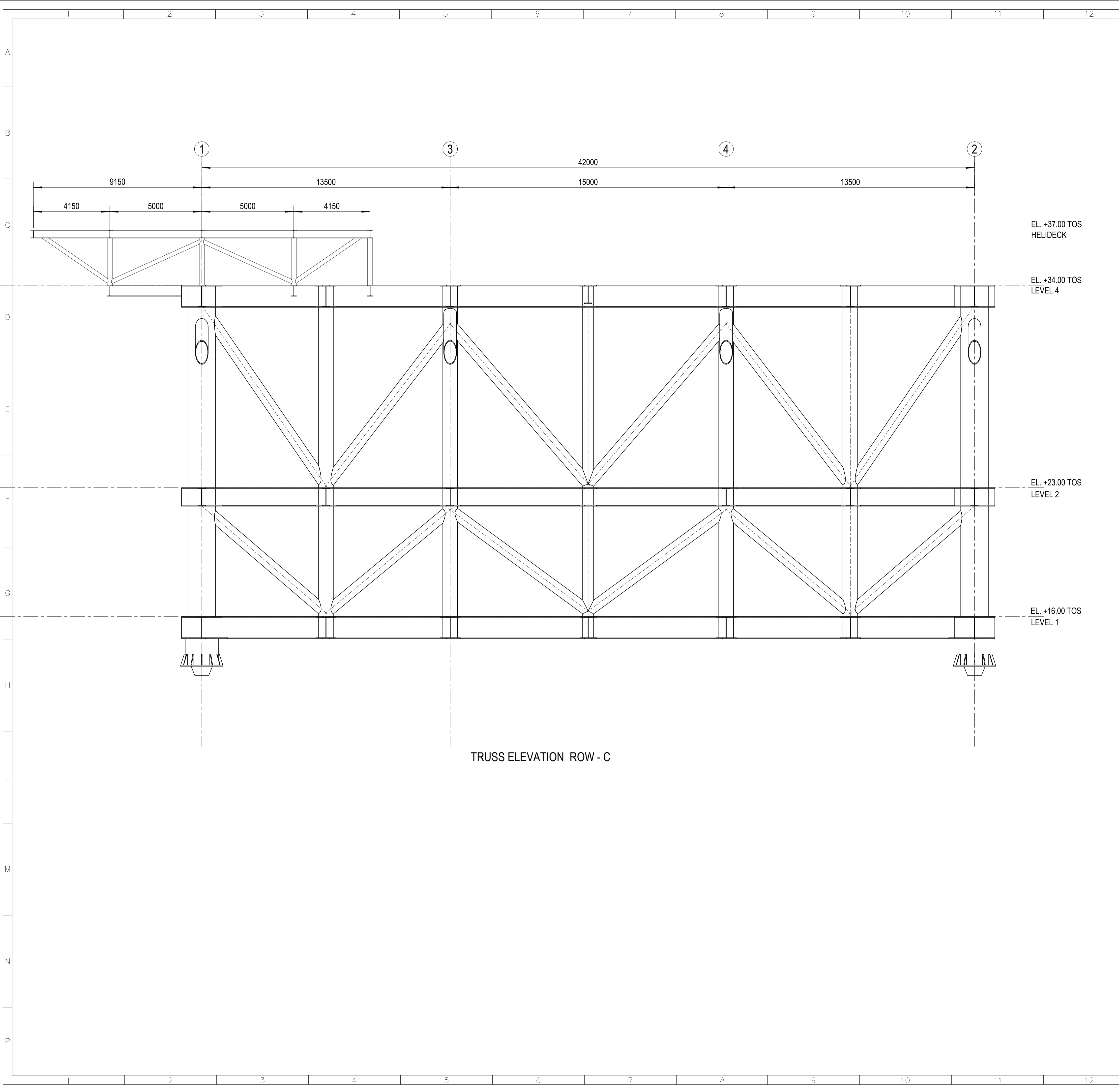


00	16.04.2024	FM	GP	MT	First Issue
Rev.	Date	Created by	Checked by	Approved by	Description
Customer		Project		Customer Document ID	
Eureka Srl		Eureka Offshore Substation		-	
Project ID		Replacing		Based on	
12084		-		-	
Responsible Department		Created by		Checked by	
-		Fabio Maroni		Giulio Pascolini	
Approved by		Title		Document ID	
Mauro Tavola		SUBSTATION TOPSIDES - ROW B		12084-CDD-107	
Rev.		Rel. Date		Page	
00		16.04.2024		1/1	

File name: 12084-CDD-107\_010.dwg



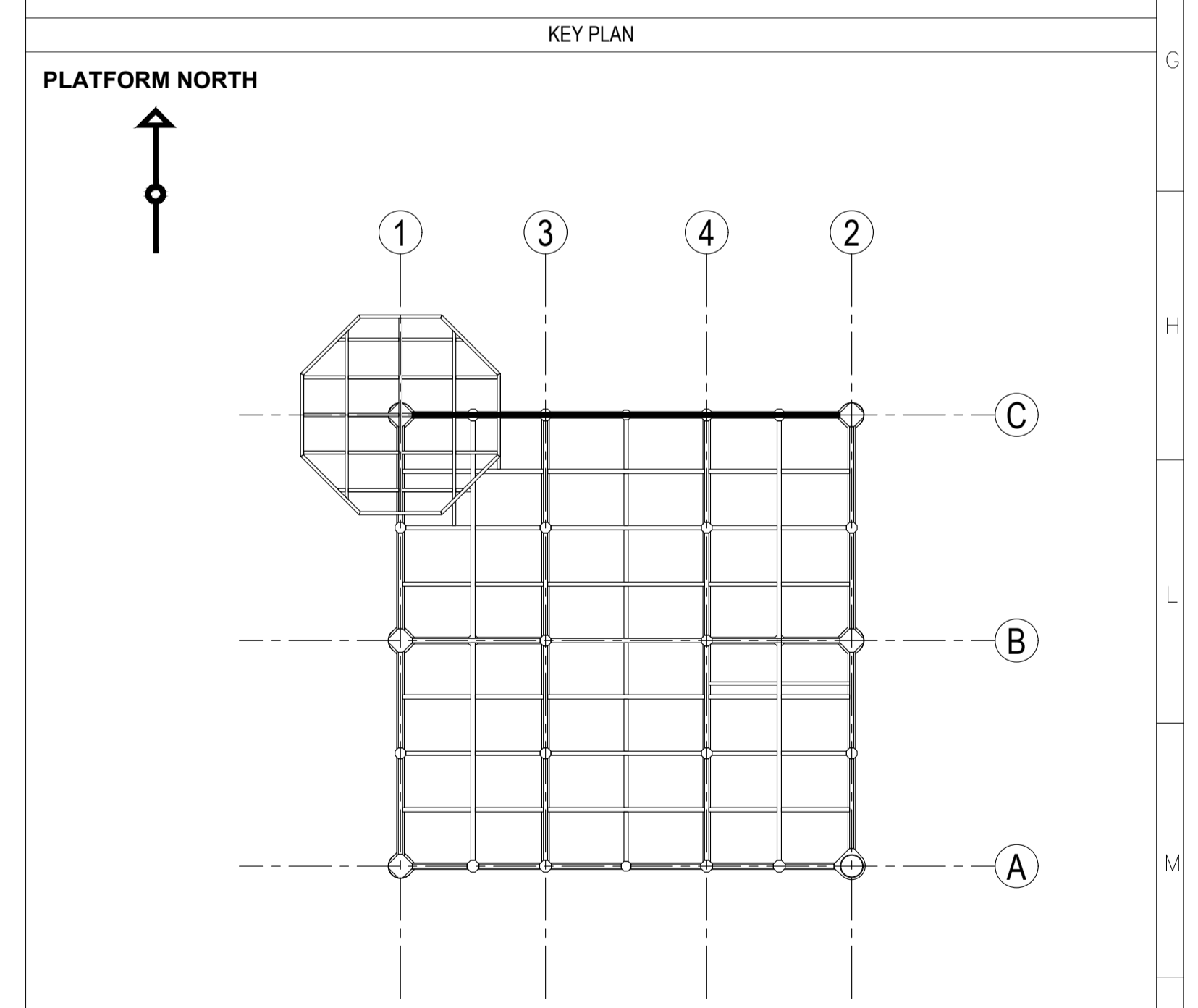
Mod. UNI-EN-100



REFERENCE DOCUMENTS		
REF	DOC TAG	DESCRIPTION
1	12084-CDD-100	SUBSTATION - ASSEMBLY - ISOMETRIC VIEW

**NOTES**

1 - ALL DIMENSIONS ARE IN mm U.N.O.  
 2 - ALL ELEVATION ARE IN m REFERRED TO L.A.T.

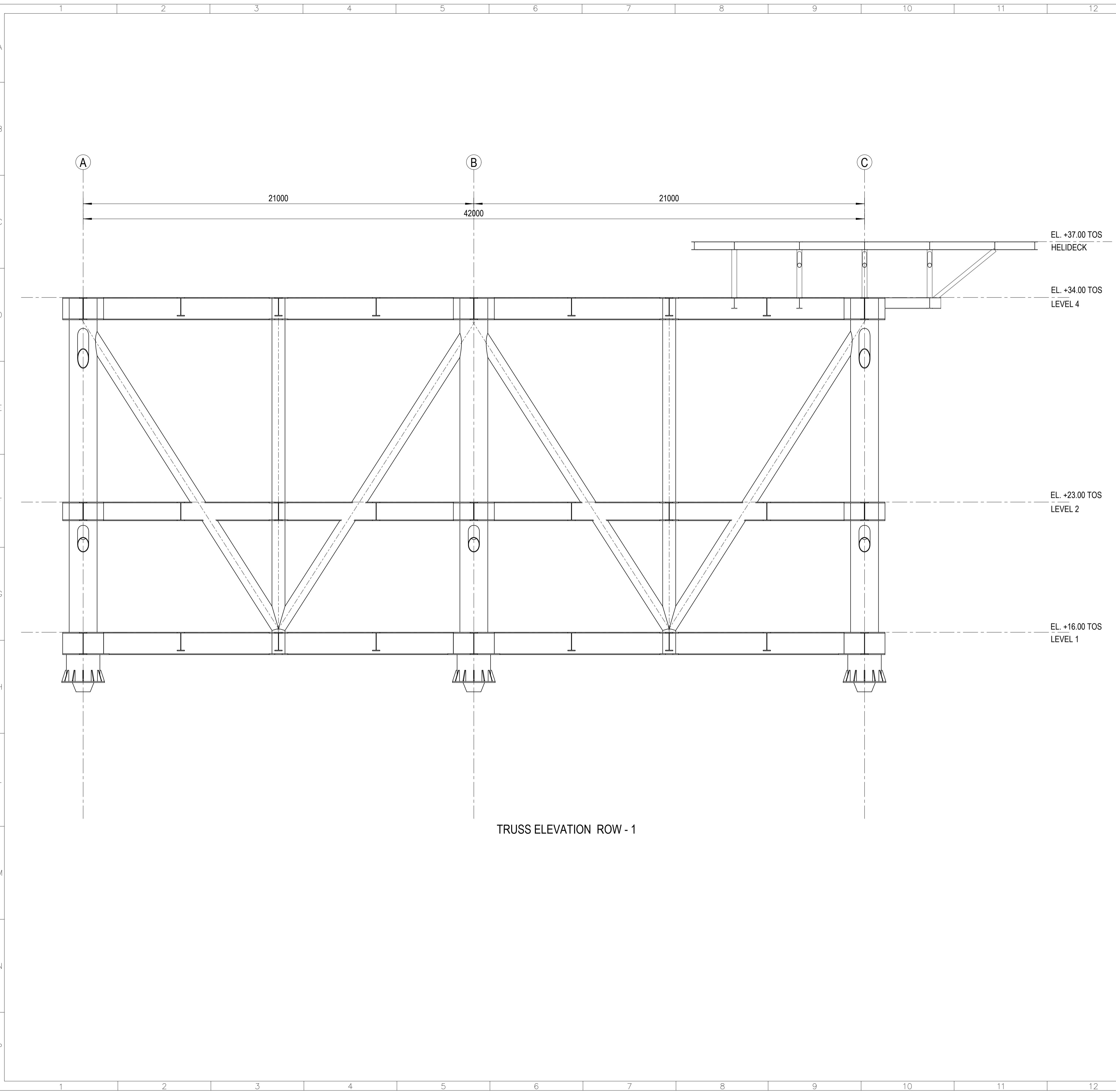


Rev.	Date	Created by	Checked by	Approved by	Description
00	16.04.2024	FM	GP	MT	First Issue
Customer		Project		Customer Document ID	
Eureka Srl		Eureka Offshore Substation		-	
Project ID		Replacing		Based on	
12084		-		-	
Responsible Department		Created by		Checked by	
-		Fabio Maroni		Giulio Pascolini	
Approved by		Title		Document ID	
Mauro Tavola		SUBSTATION TOPSIDES - ROW C		12084-CDD-108	
Rev.		Rel. Date		Page	
00		16.04.2024		1/1	

File name: 12084-CDD-108\_010.dwg



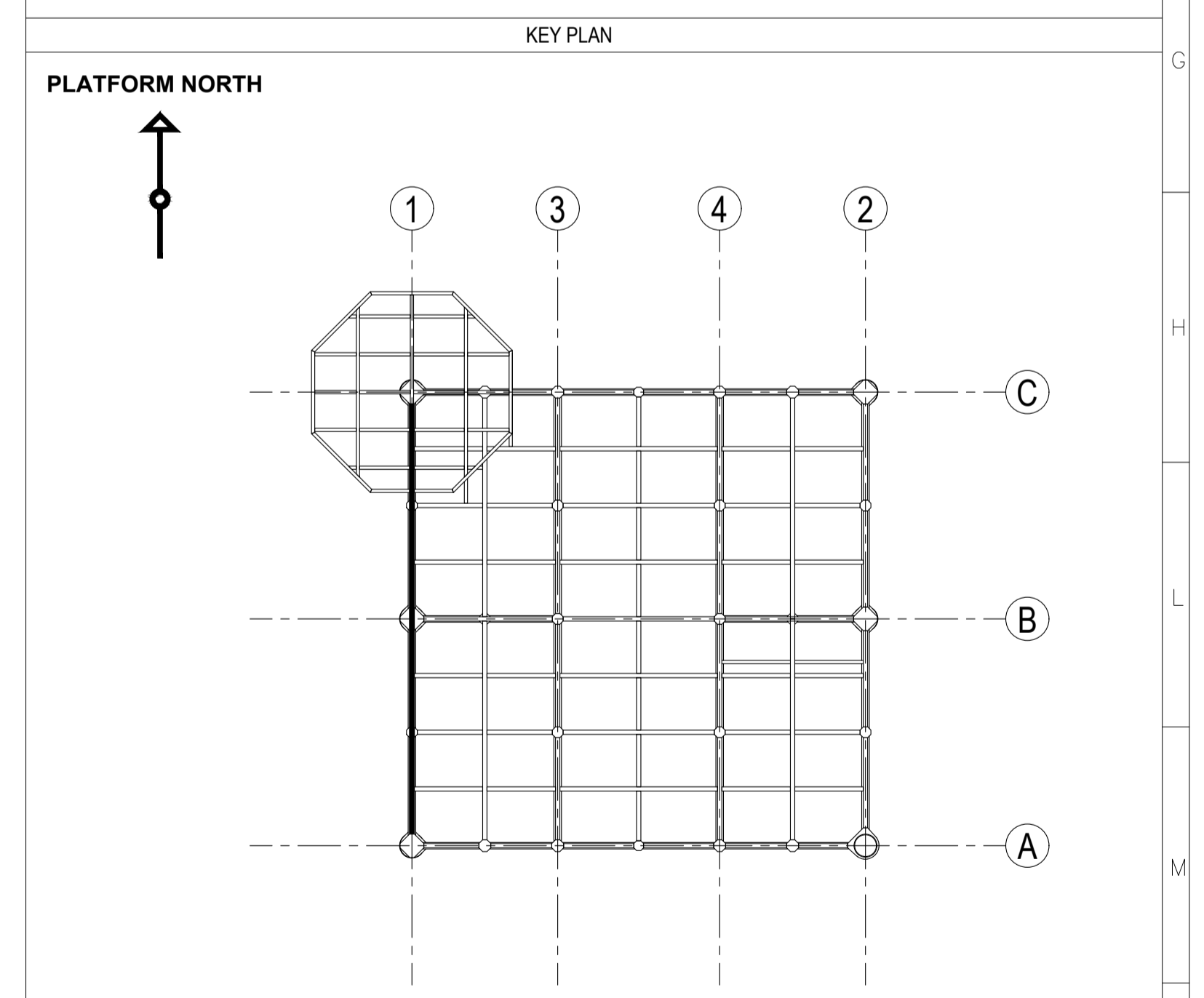
Mod. JWB-A1/D



REFERENCE DOCUMENTS		
REF	DOC TAG	DESCRIPTION
1	12084-CDD-100	SUBSTATION - ASSEMBLY - ISOMETRIC VIEW

NOTES

1 - ALL DIMENSIONS ARE IN mm U.N.O.  
 2 - ALL ELEVATION ARE IN m REFERRED TO L.A.T.



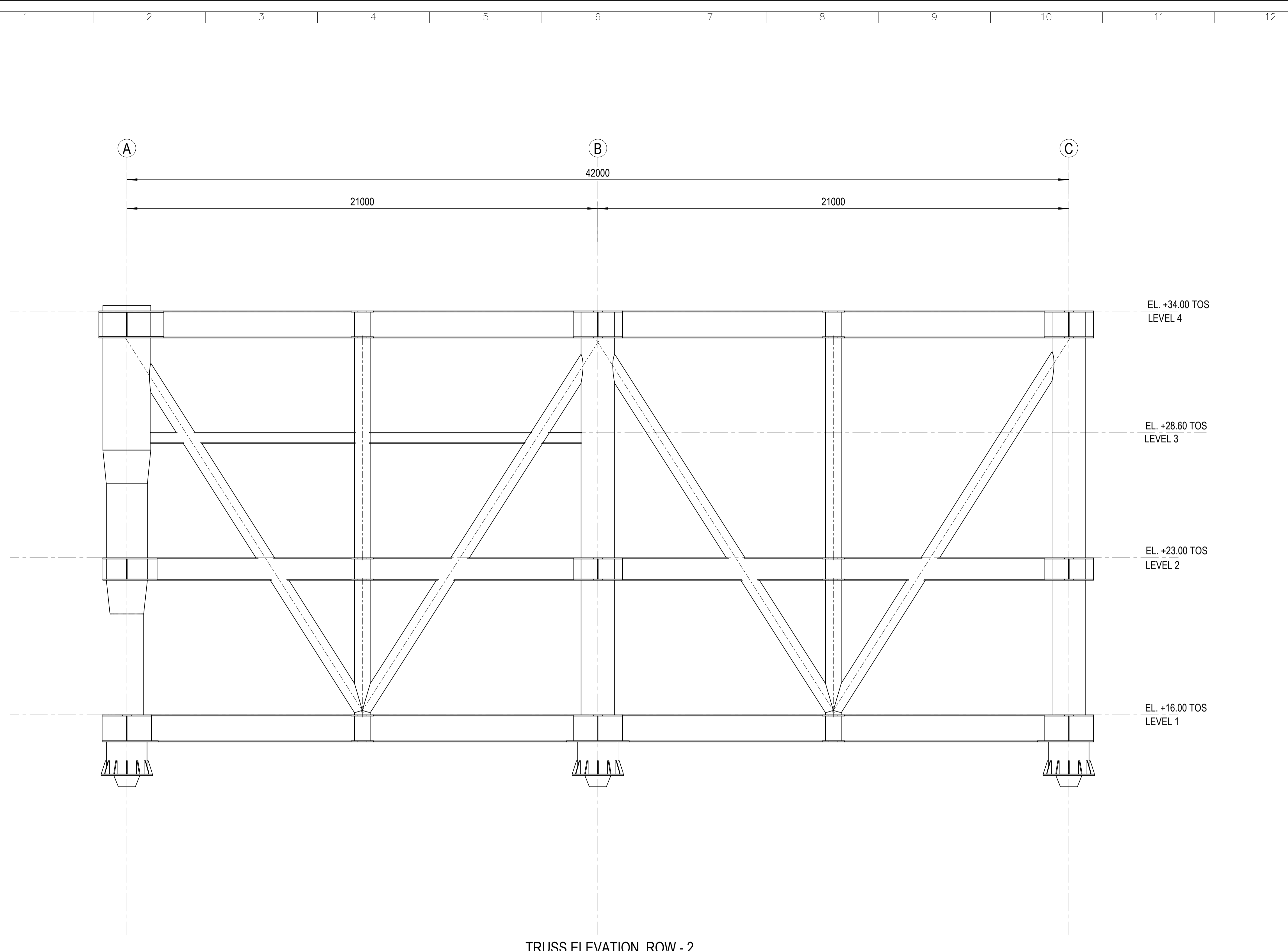
00	16.04.2024	FM	GP	MT	First Issue
Rev.	Date	Created by	Checked by	Approved by	Description
Customer		Project			Customer Document ID
Eureka Srl		Eureka Offshore Substation			-
Project ID		Replacing	Based on	Scale	Format
12084		-	-	1:100	A1
Responsible Department		Created by	Checked by	Approved by	
-		Fabio Maroni	Giulio Pascolini	Mauro Tavola	
Title		Document ID			
SUBSTATION TOPSIDES - ROW 1		12084-CDD-109			
Rev.	Rel. Date	Page			
00	16.04.2024	1/1			

File name: 12084-CDD-109\_00.dwg



Mod. JWE-21/20



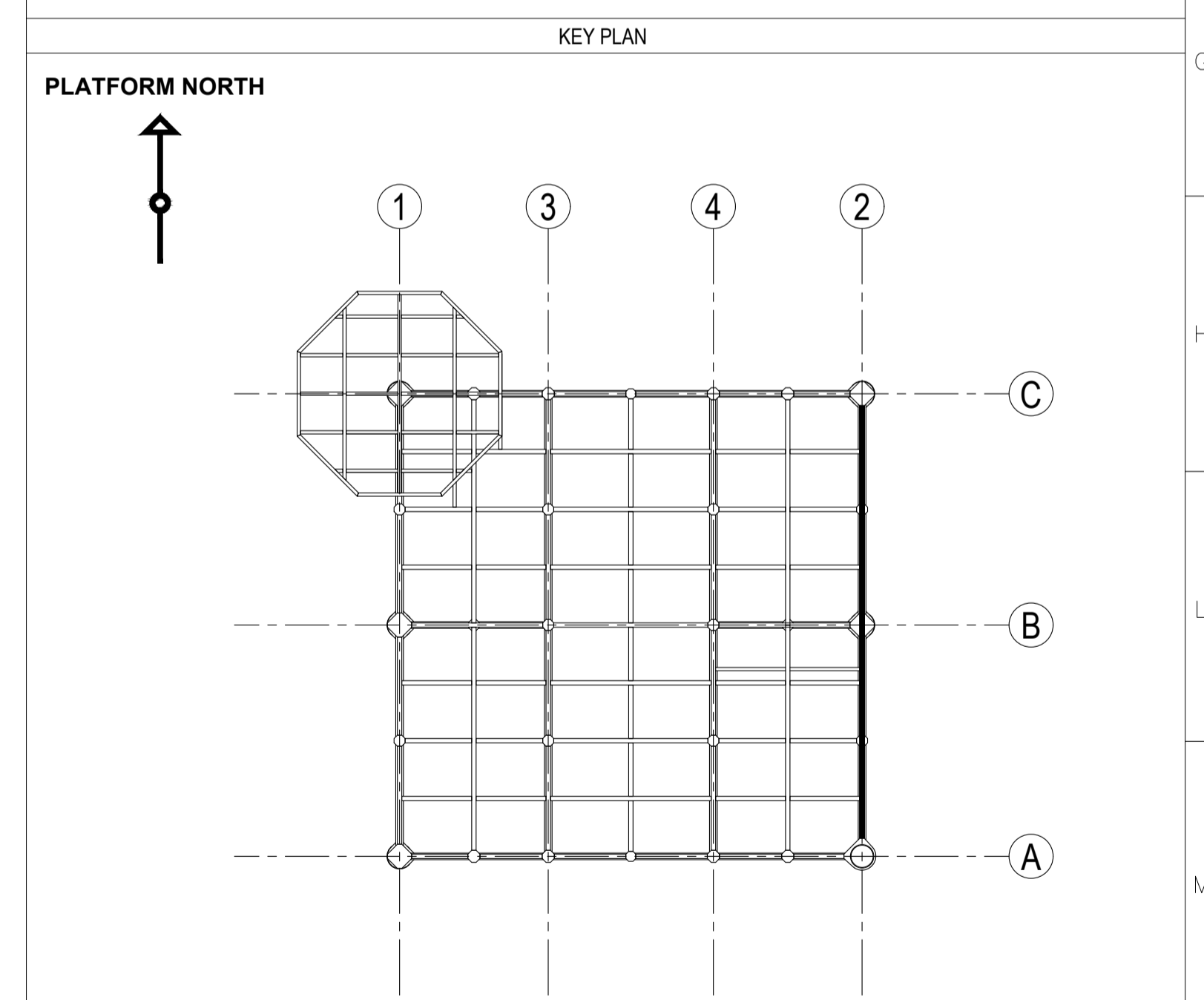


TRUSS ELEVATION ROW - 2

REFERENCE DOCUMENTS		
REF	DOC TAG	DESCRIPTION
1	12084-CDD-100	SUBSTATION - ASSEMBLY - ISOMETRIC VIEW

**NOTES**

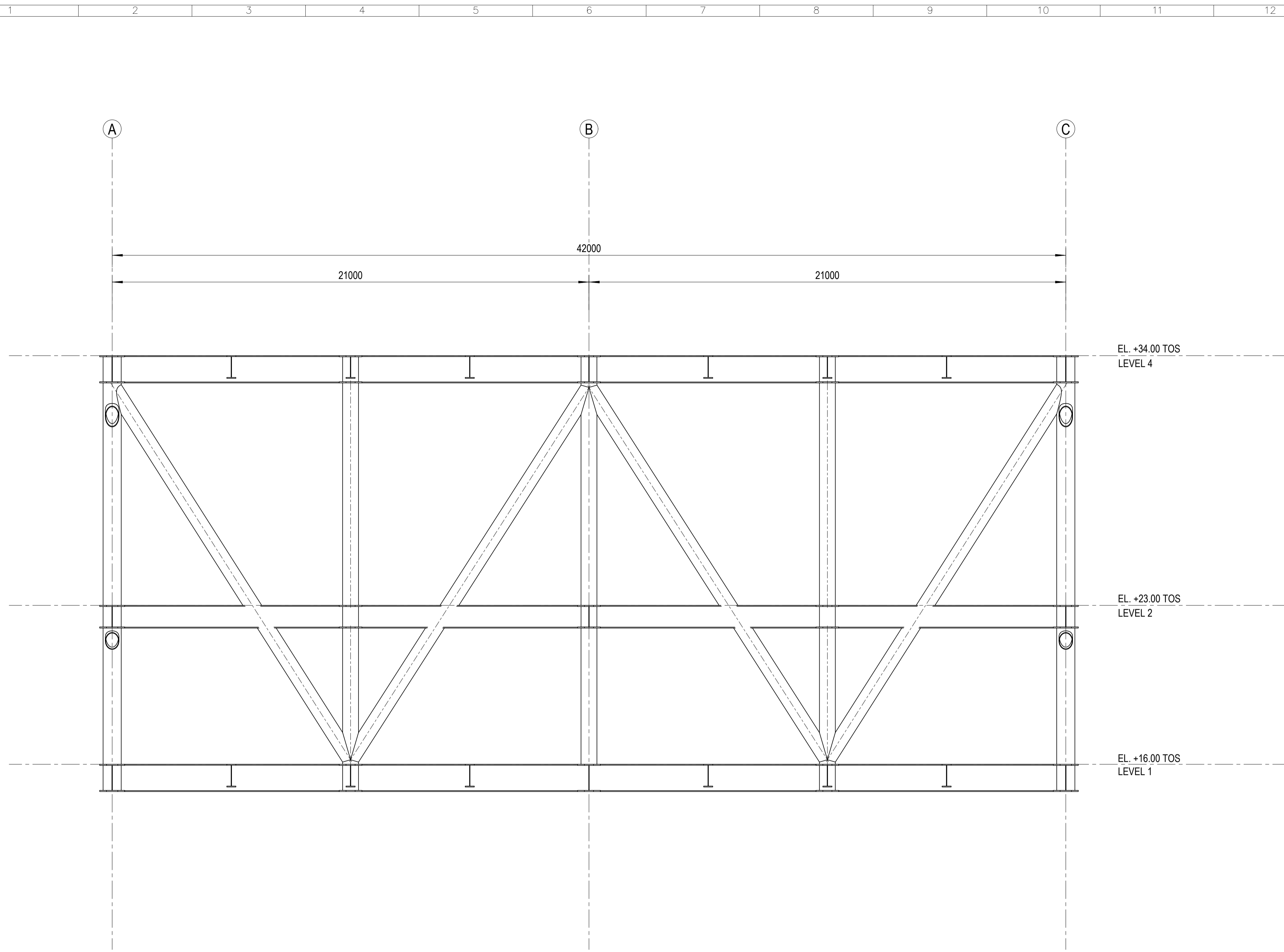
1 - ALL DIMENSIONS ARE IN mm U.N.O.  
 2 - ALL ELEVATION ARE IN m REFERRED TO L.A.T.



00	16.04.2024	FM	GP	MT	First Issue
Rev.	Date	Created by	Checked by	Approved by	Description
Customer		Project		Customer Document ID	
Eureka Srl		Eureka Offshore Substation		-	
Project ID		Replacing		Based on	
12084		-		-	
Responsible Department		Created by		Checked by	
-		Fabio Maroni		Giulio Pascolini	
Approved by		Approved by		Approved by	
-		Mauro Tavola		Mauro Tavola	
Title		Document ID		-	
SUBSTATION TOPSIDES - ROW 2		12084-CDD-110		-	
Rev.		Rel. Date		Page	
00		16.04.2024		1/1	

File name: 12084-CDD-110\_010.dwg



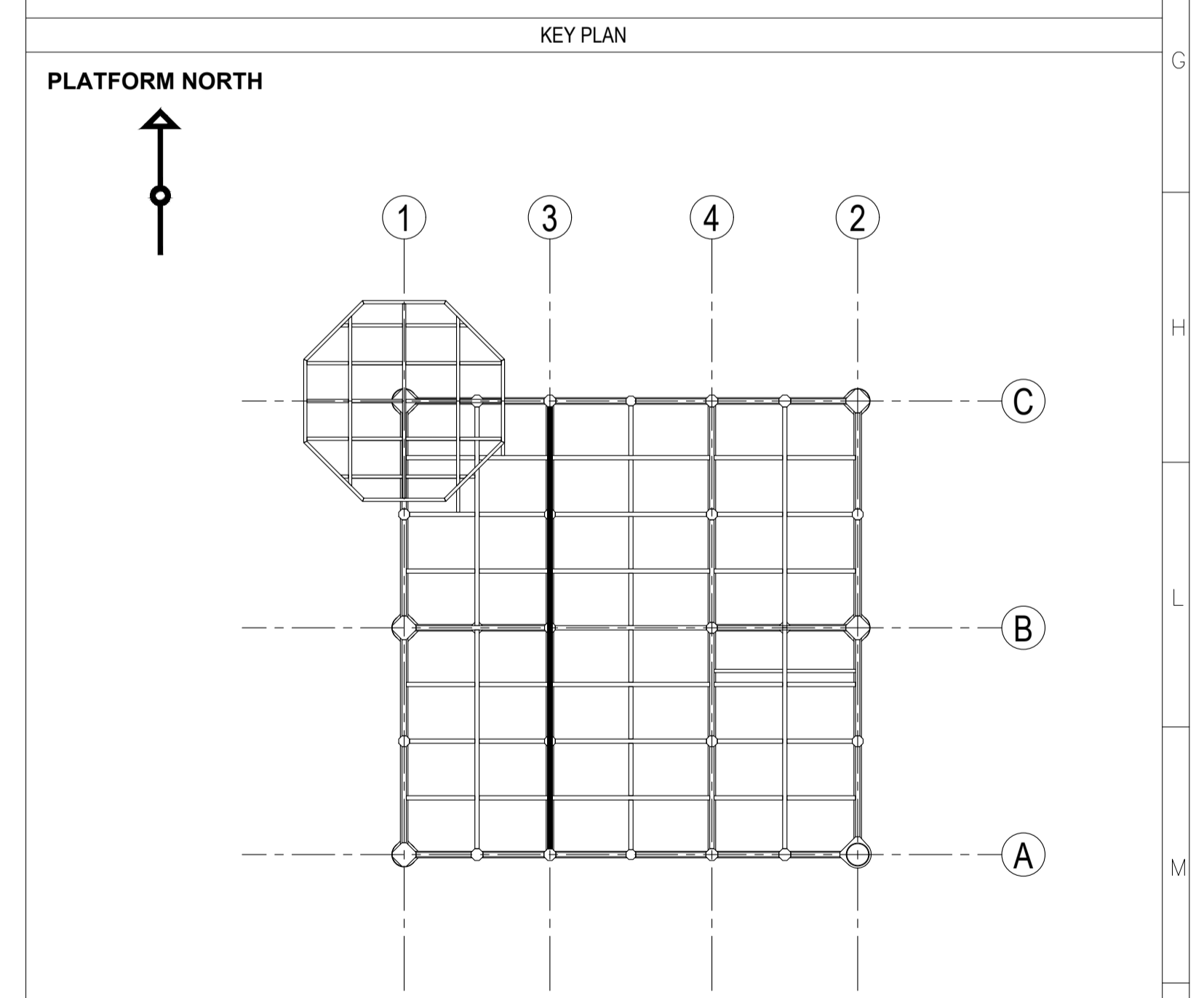


TRUSS ELEVATION ROW - 3

REFERENCE DOCUMENTS		
REF	DOC TAG	DESCRIPTION
1	12084-CDD-100	SUBSTATION - ASSEMBLY - ISOMETRIC VIEW

**NOTES**

1 - ALL DIMENSIONS ARE IN mm U.N.O.  
 2 - ALL ELEVATION ARE IN m REFERRED TO L.A.T.

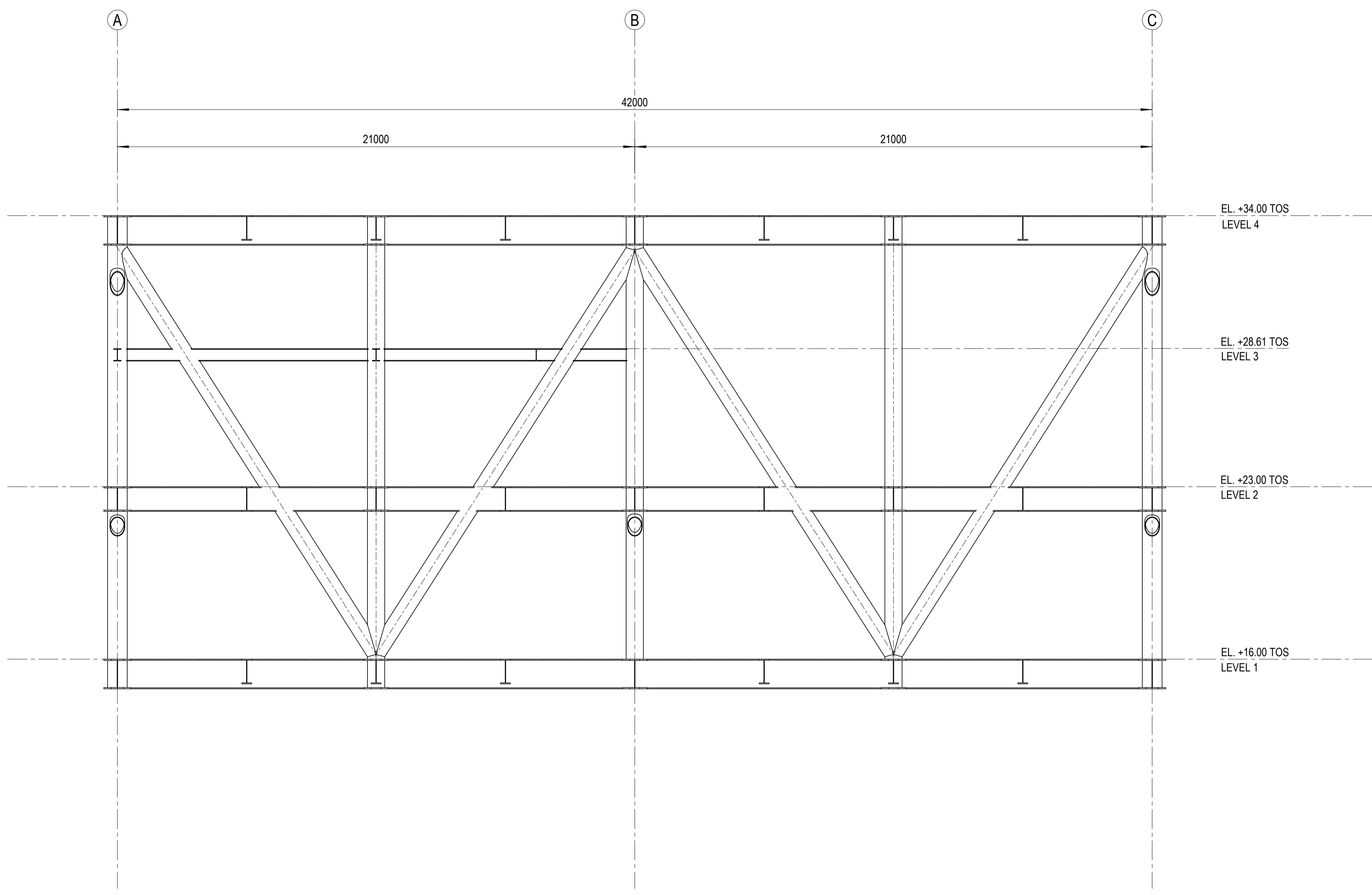


00	16.04.2024	FM	GP	MT	First Issue
Rev.	Date	Created by	Checked by	Approved by	Description
Customer		Project			Customer Document ID
Eureka Srl		Eureka Offshore Substation			-
Project ID		Replacing	Based on	Scale	Format
12084		-	-	1:100	A1
Responsible Department		Created by	Checked by	Approved by	
-		Fabio Maroni	Giulio Pascolini	Mauro Tavola	
Title		Document ID			
SUBSTATION TOPSIDES - ROW 3		12084-CDD-111			
Rev.	Rel. Date	Page			
00	16.04.2024	1/1			

File name: 12084-CDD-111\_010.dwg



Mod. UNI-EN/ISO

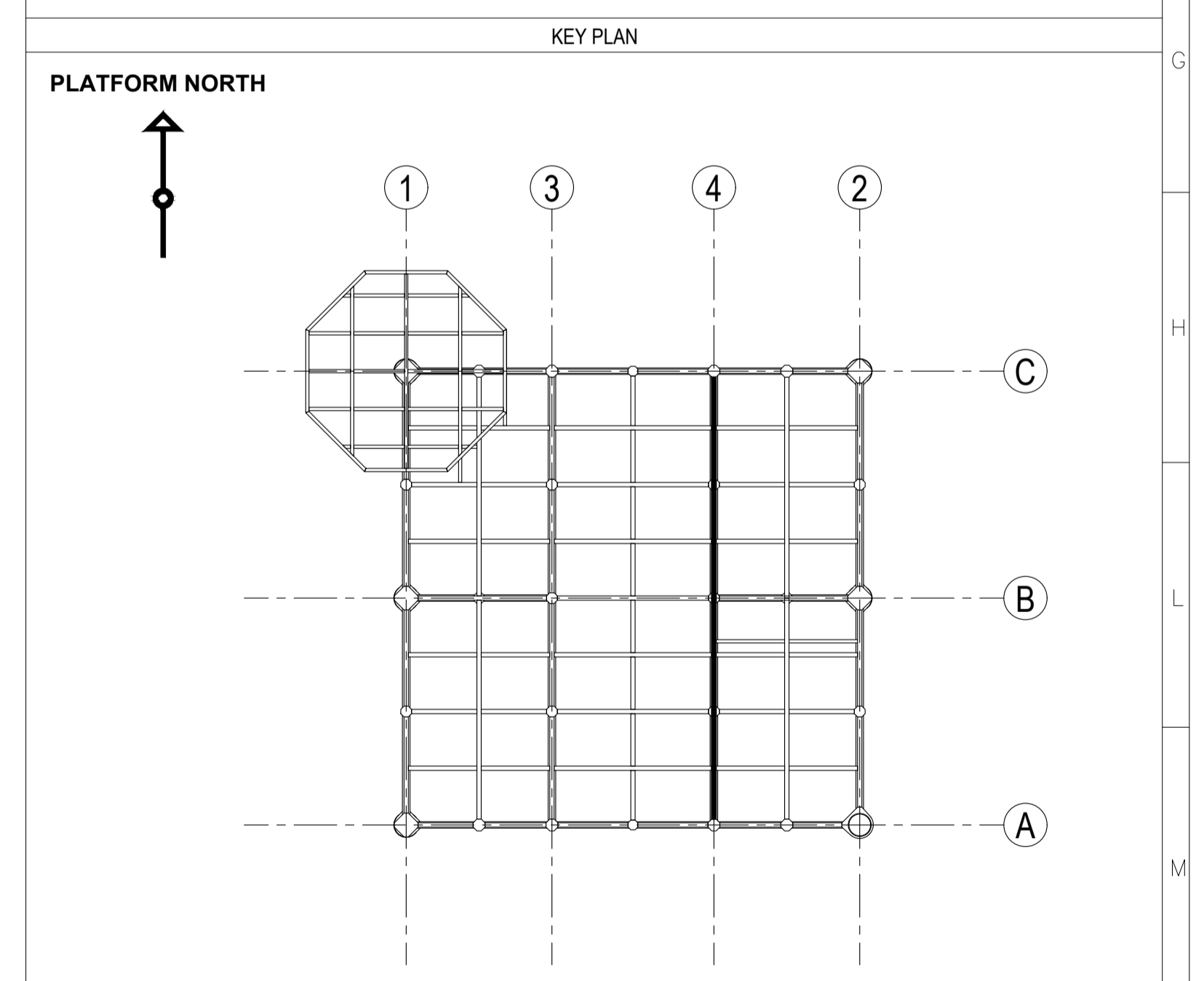


TRUSS ELEVATION ROW - 4

REFERENCE DOCUMENTS		
REF	DOC TAG	DESCRIPTION
1	12084-CDD-100	SUBSTATION - ASSEMBLY - ISOMETRIC VIEW

**NOTES**

1 - ALL DIMENSIONS ARE IN mm U.N.O.  
 2 - ALL ELEVATION ARE IN m REFERRED TO L.A.T.



00	16.04.2024	FM	GP	MT	First Issue
Rev.	Date	Created by	Checked by	Approved by	Description
Customer		Project		Customer Document ID	
Eureka Srl		Eureka Offshore Substation		-	
Project ID		Replacing		Based on	
12084		-		-	
Responsible Department		Created by		Checked by	
-		Fabio Maroni		Giulio Pascolini	
Approved by		Title		Document ID	
Mauro Tavola		SUBSTATION TOPSIDES - ROW 4		12084-CDD-112	
Rev.		Rel. Date		Page	
00		16.04.2024		1/1	

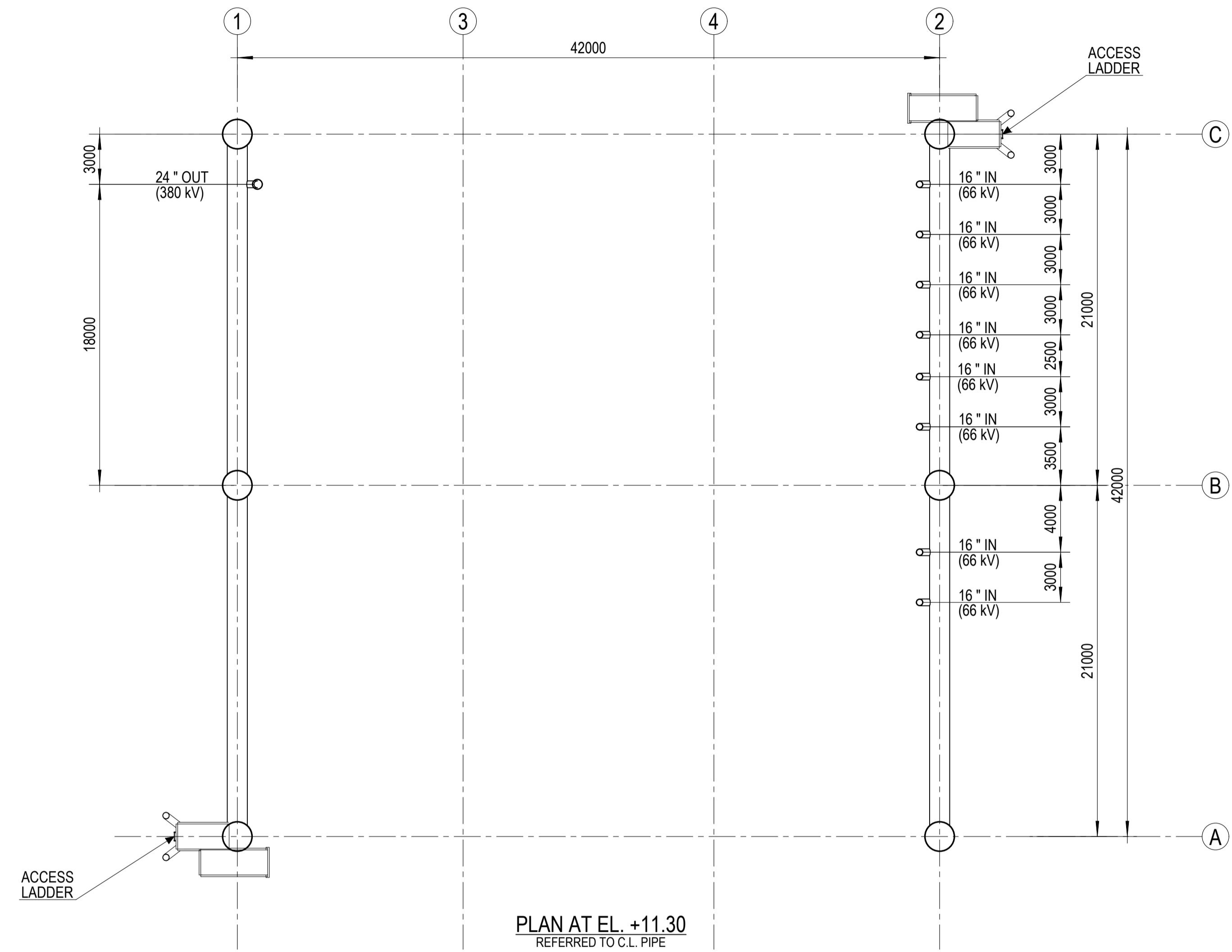
File name: 12084-CDD-112\_010.dwg



Mod. UNI-A1/D



PLATFORM NORTH



PLAN AT EL. +11.30  
REFERRED TO C.L. PIPE

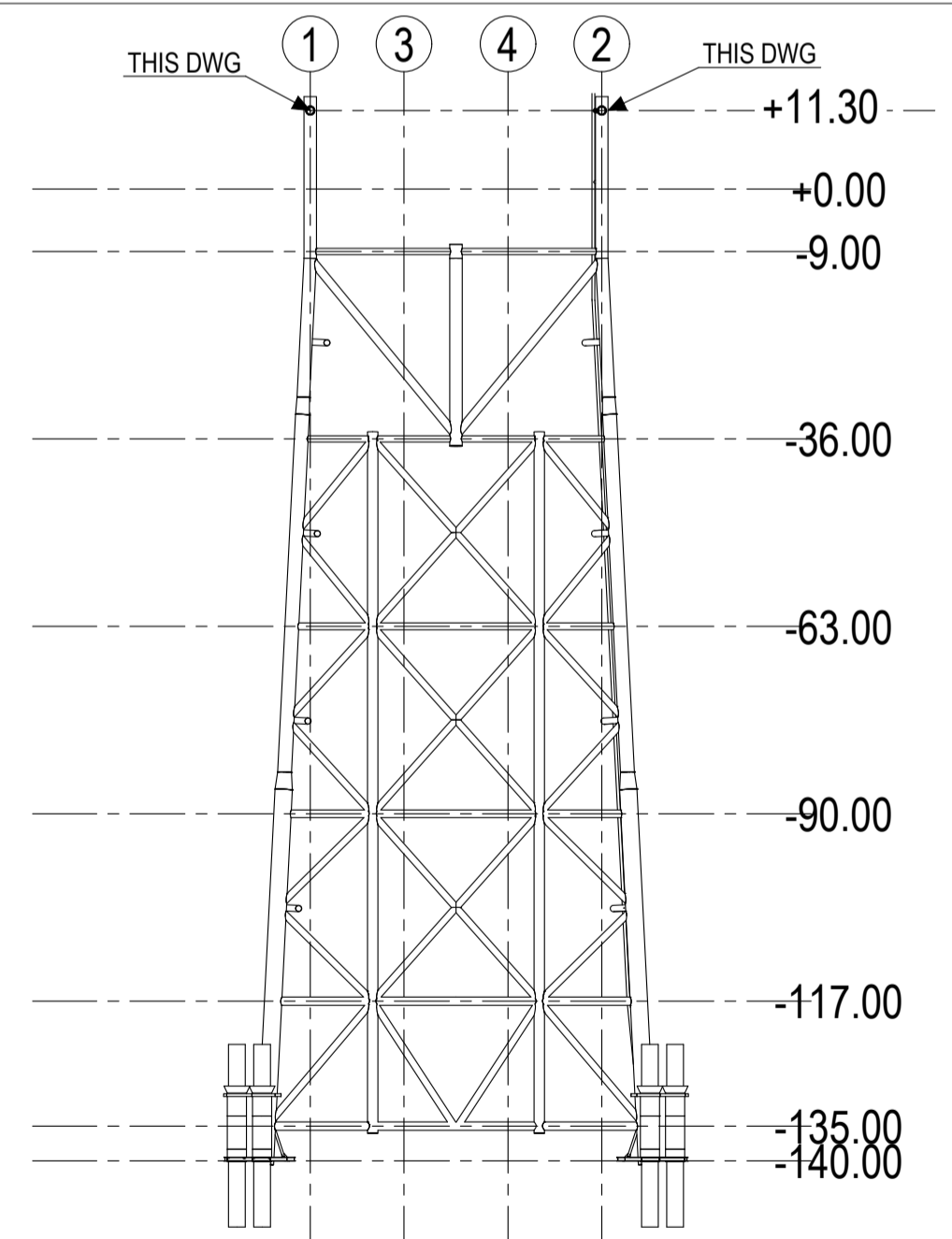
REFERENCE DOCUMENTS

REF	DOC TAG	DESCRIPTION
1	12084-CDD-100	SUBSTATION - ASSEMBLY - ISOMETRIC VIEW

NOTES

- 1 - ALL DIMENSIONS ARE IN mm U.N.O.
- 2 - ALL ELEVATION ARE IN m REFERRED TO L.A.T.

KEY ELEVATION



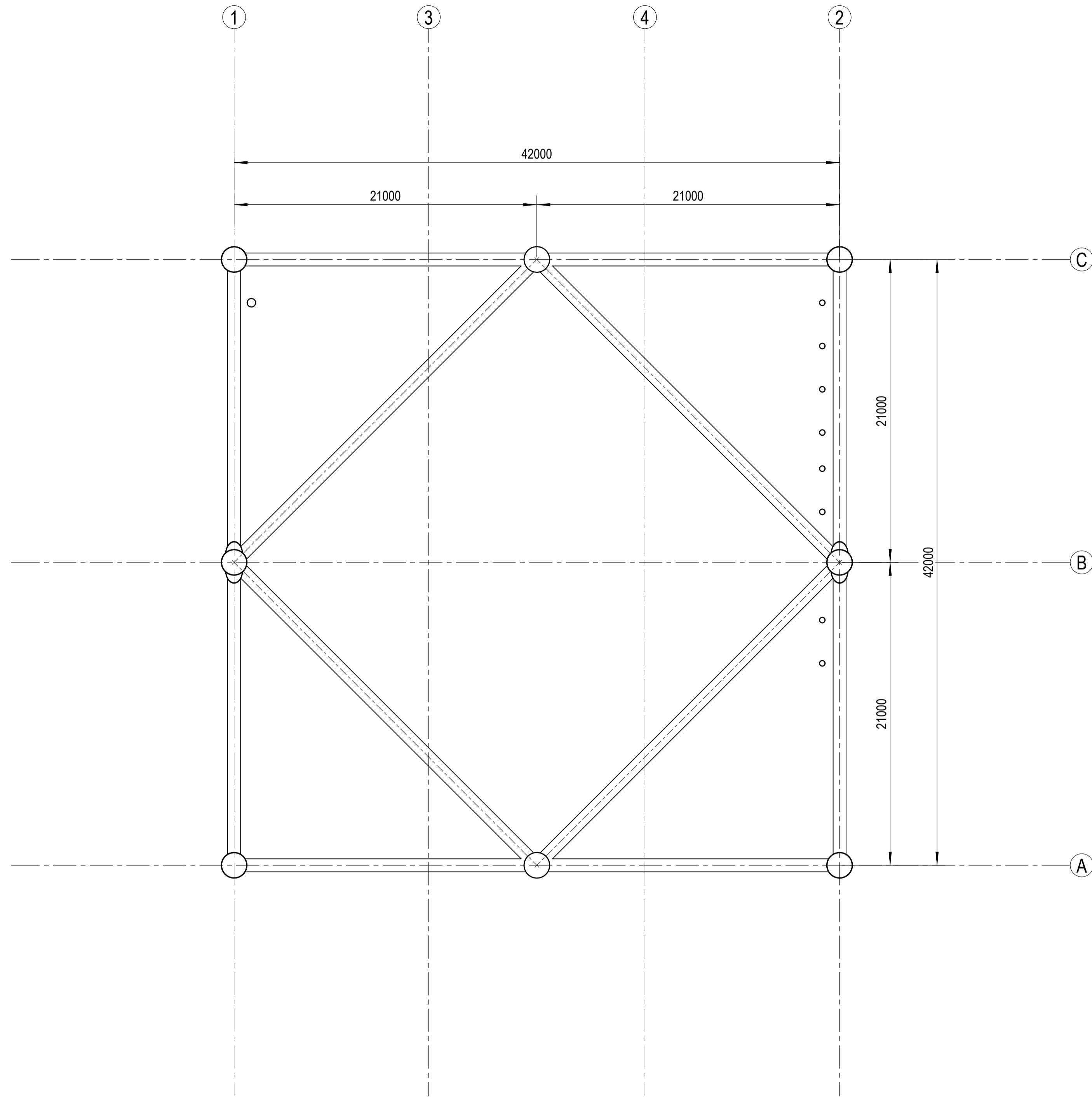
Rev.	Date	Created by	Checked by	Approved by	Description
00	16.04.2024	FM	GP	MT	First Issue
Customer		Project		Customer Document ID	
Eureka Srl		Eureka Offshore Substation		-	
Project ID		Replacing		Based on	
12084		-		-	
Responsible Department		Created by		Checked by	
-		Fabio Maroni		Giulio Pascolini	
Title		Document ID		Approved by	
SUBSTATION JACKET - PLAN AT EL. +11.30		12084-CDD-113		Mauro Tavola	
Rev.		Rel. Date		Page	
00		16.04.2024		1/1	

File name: 12084-CDD-113\_00.dwg



Mod. JWE-AT/0

PLATFORM NORTH



PLAN AT EL. -9.00  
REFERRED TO C.L. PIPE

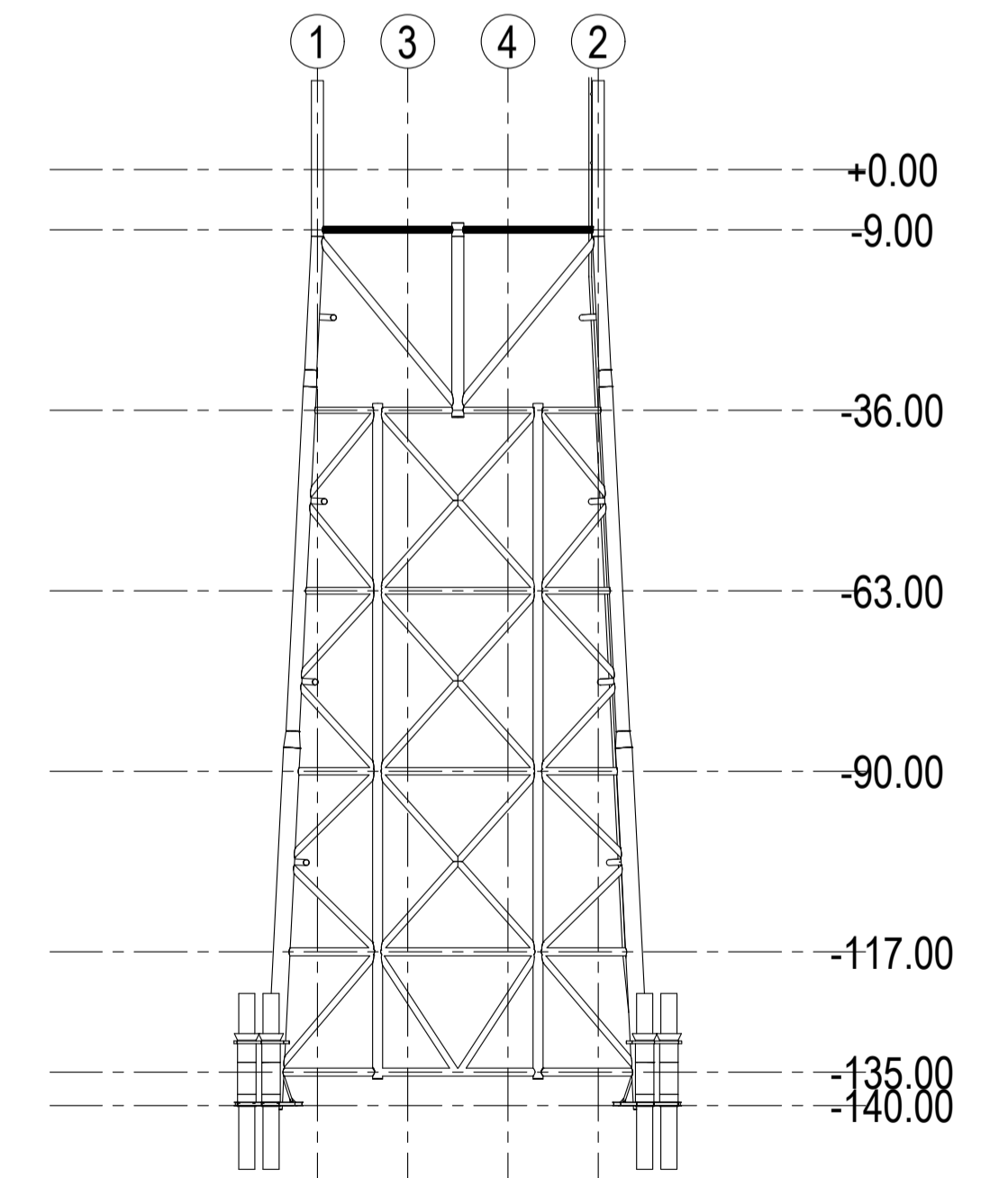
REFERENCE DOCUMENTS

REF	DOC TAG	DESCRIPTION
1	12084-CDD-100	SUBSTATION - ASSEMBLY - ISOMETRIC VIEW

NOTES

- 1 - ALL DIMENSIONS ARE IN mm U.N.O.
- 2 - ALL ELEVATION ARE IN m REFERRED TO L.A.T.

KEY ELEVATION

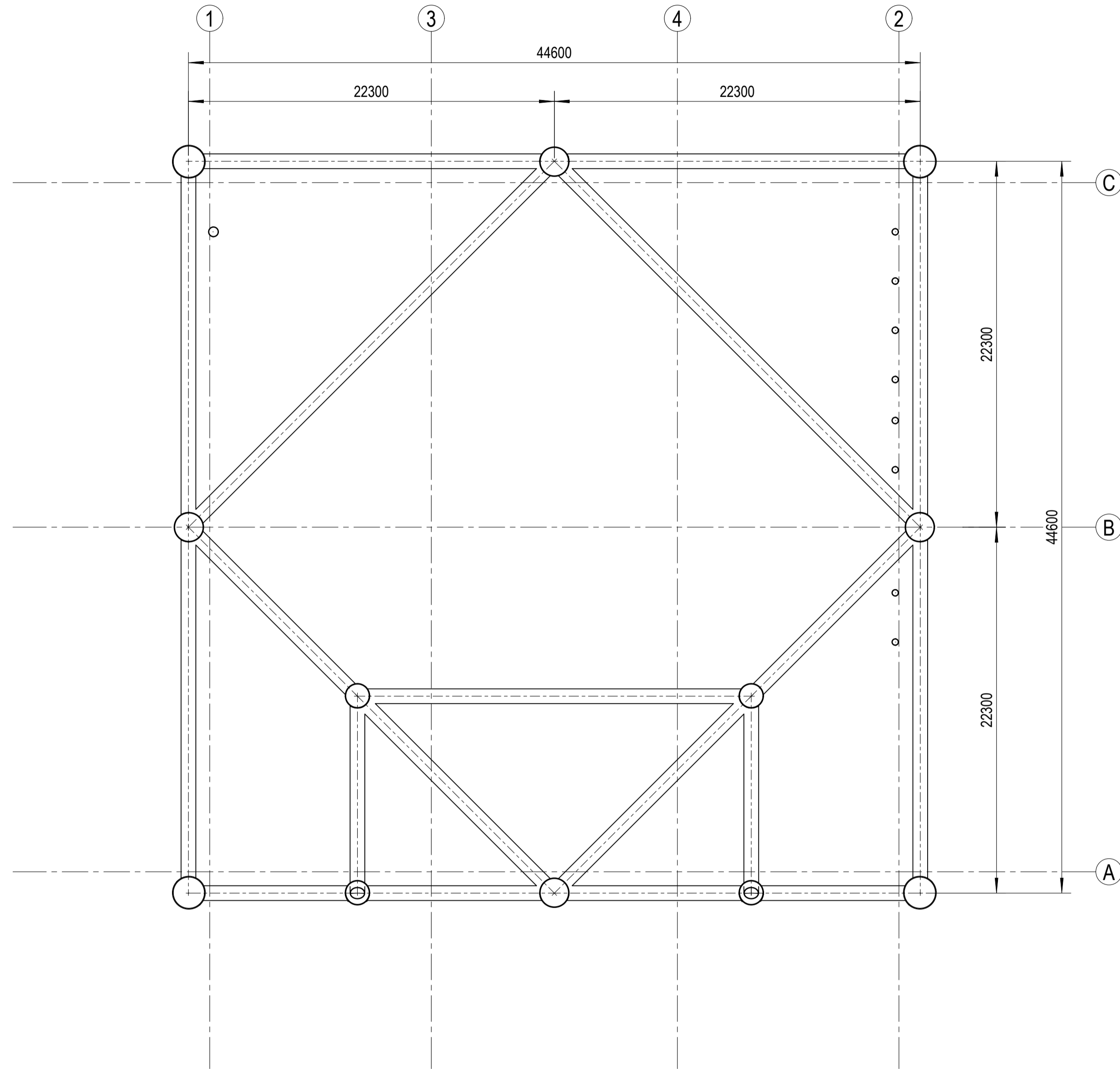


00	16.04.2024	FM	GP	MT	First Issue
Rev.	Date	Created by	Checked by	Approved by	Description
Customer		Project			Customer Document ID
Eureka Srl		Eureka Offshore Substation			-
Project ID		Replacing	Based on	Scale	Format
12084		-	-	1:200	A1
Responsible Department		Created by	Checked by	Approved by	
-		Fabio Maroni	Giulio Pascolini	Mauro Tavola	
Title		Document ID			
SUBSTATION JACKET - PLAN AT EL. -9.00		12084-CDD-114			
Rev.	Rel. Date	Page			
00	16.04.2024	1/1			

File name: 12084-CDD-114\_00.dwg



PLATFORM NORTH



PLAN AT EL. -36.00  
REFERRED TO C.L. PIPE

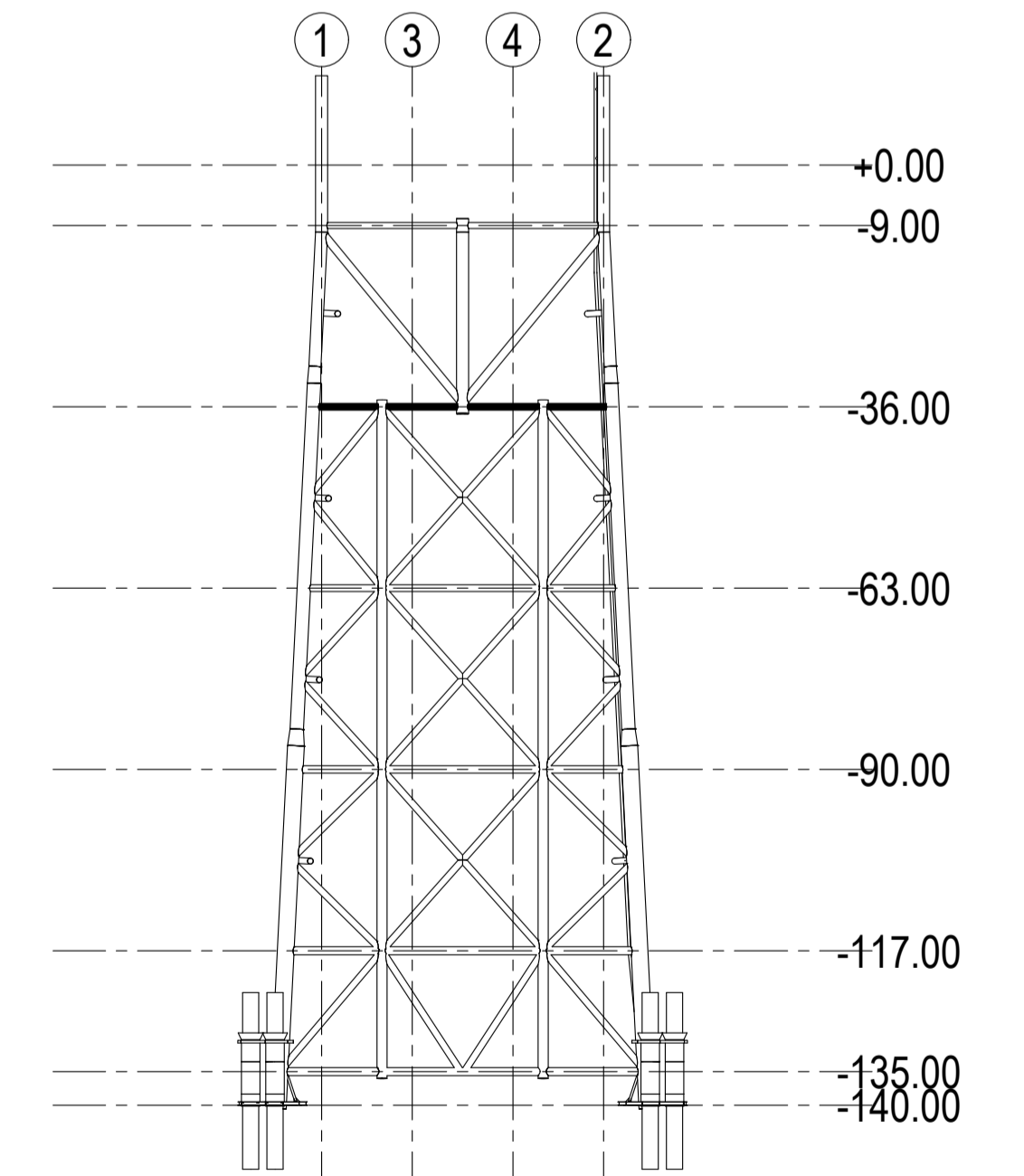
REFERENCE DOCUMENTS

REF	DOC TAG	DESCRIPTION
1	12084-CDD-100	SUBSTATION - ASSEMBLY - ISOMETRIC VIEW

NOTES

- 1 - ALL DIMENSIONS ARE IN mm U.N.O.
- 2 - ALL ELEVATION ARE IN m REFERRED TO L.A.T.

KEY ELEVATION



Rev.	Date	Created by	Checked by	Approved by	Description
00	16.04.2024	FM	GP	MT	First Issue
Customer		Project		Customer Document ID	
Eureka Srl		Eureka Offshore Substation		-	
Project ID		Replacing		Based on	
12084		-		-	
Responsible Department		Created by		Checked by	
-		Fabio Maroni		Giulio Pascolini	
Approved by		Title		Document ID	
Mauro Tavola		SUBSTATION JACKET - PLAN AT EL. -36.00		12084-CDD-115	
Rev.		Rel. Date		Page	
00		16.04.2024		1/1	

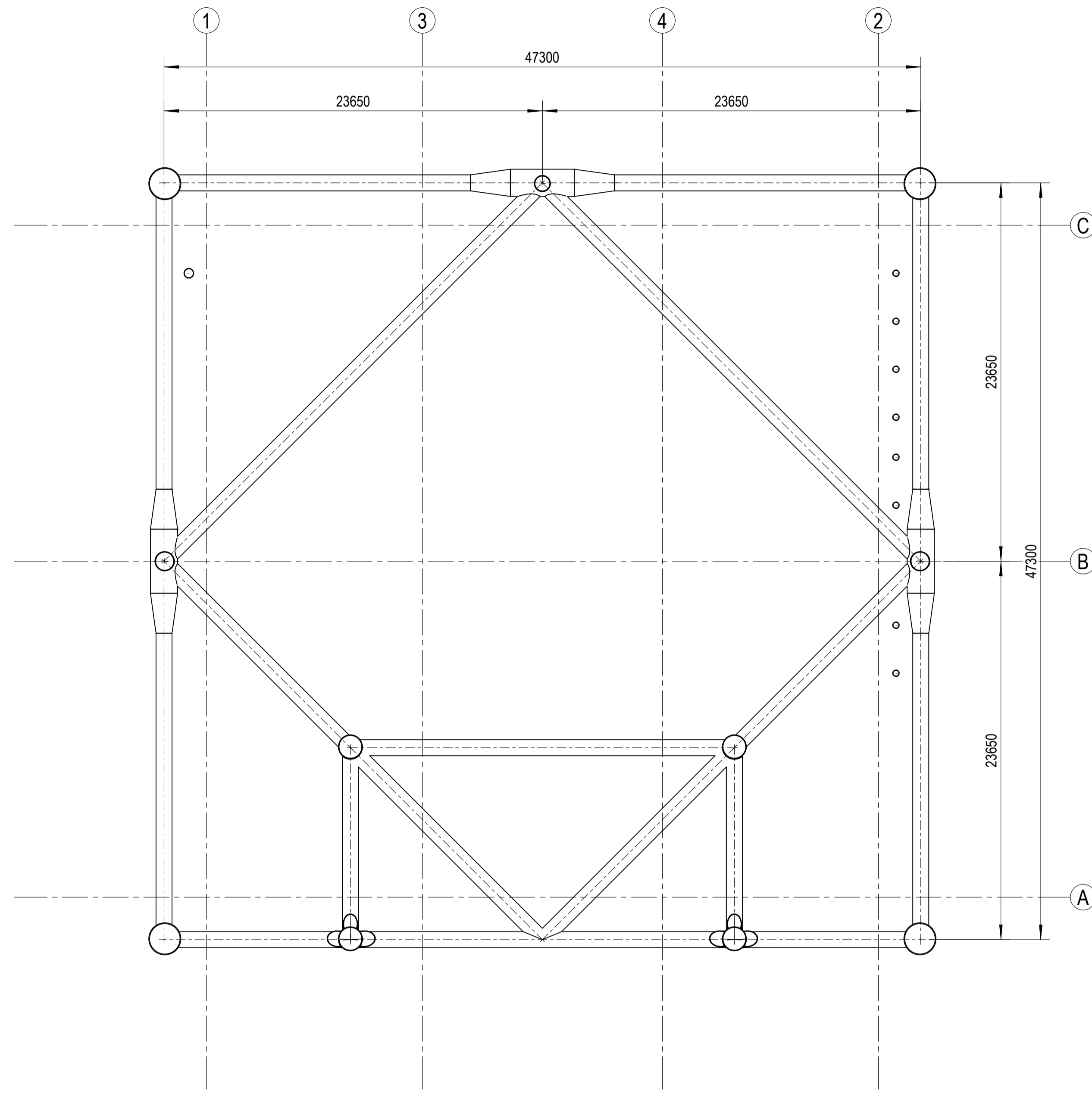
File name: 12084-CDD-115\_010.dwg



Mod. JWS-A1/0



PLATFORM NORTH



PLAN AT EL. -63.00  
REFERRED TO C.L. PIPE

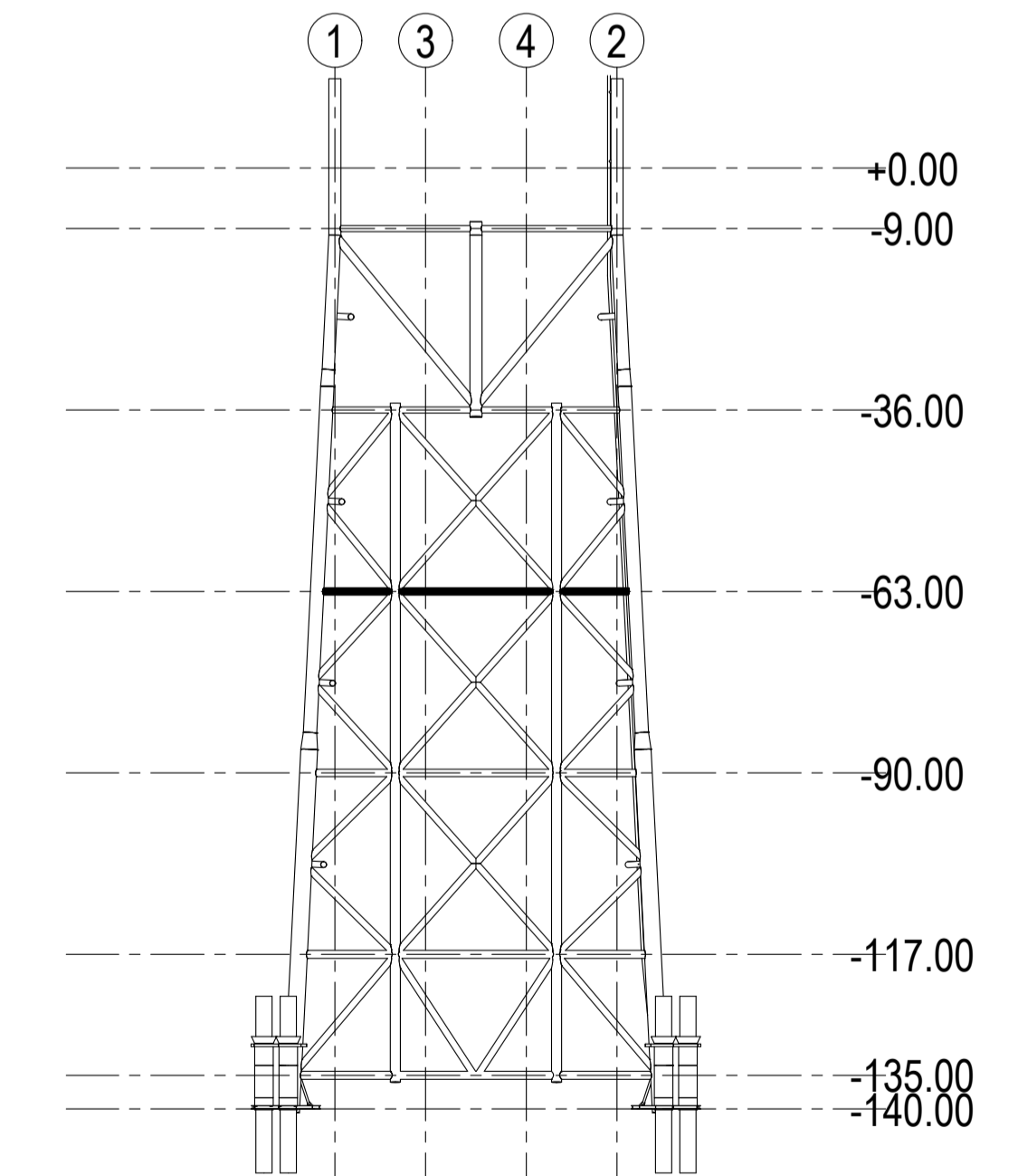
REFERENCE DOCUMENTS

REF	DOC TAG	DESCRIPTION
1	12084-CDD-100	SUBSTATION - ASSEMBLY - ISOMETRIC VIEW

NOTES

- 1 - ALL DIMENSIONS ARE IN mm U.N.O.
- 2 - ALL ELEVATION ARE IN m REFERRED TO L.A.T.

KEY ELEVATION

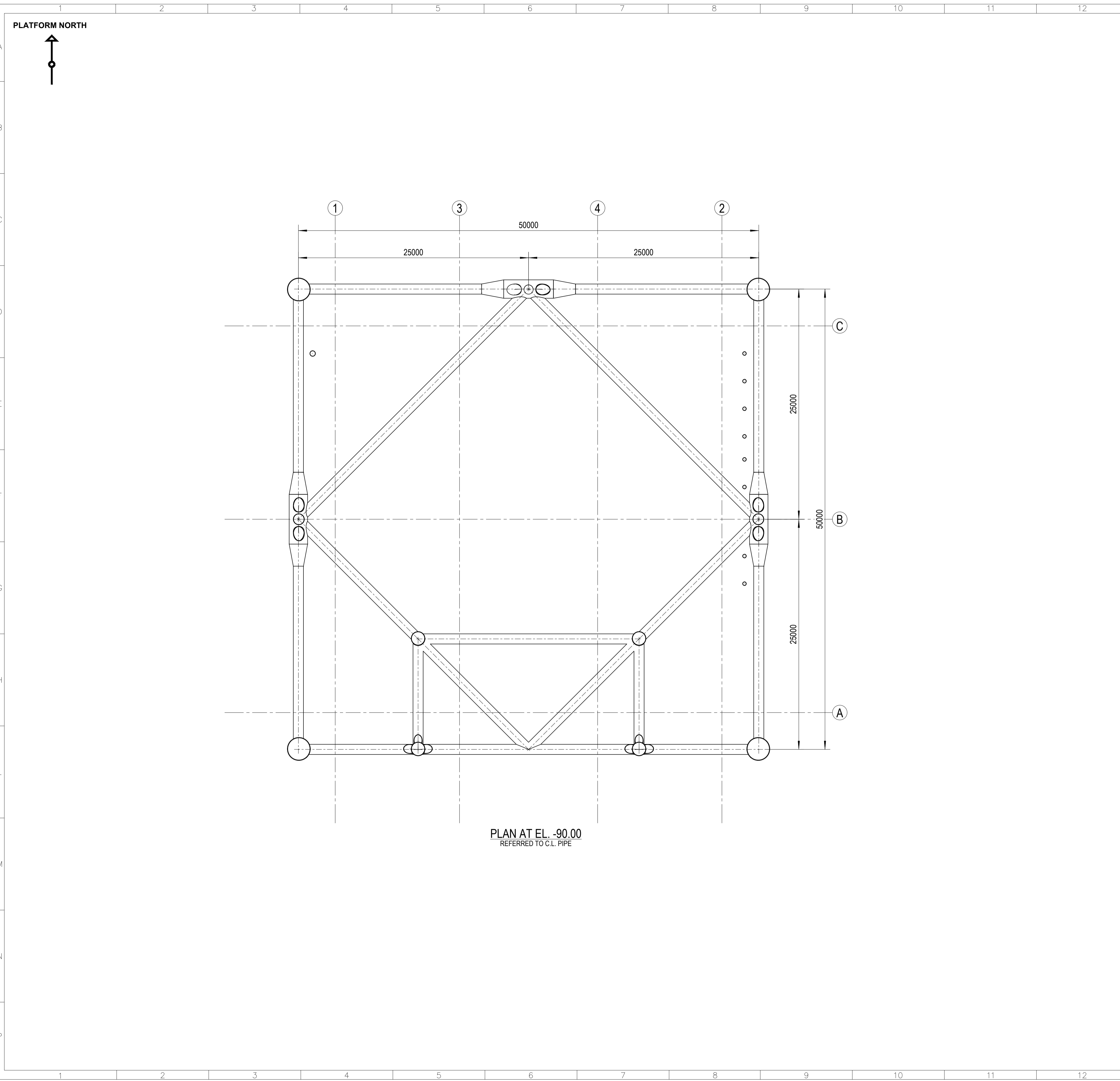


Rev.	Date	Created by	Checked by	Approved by	Description
00	16.04.2024	FM	GP	MT	First Issue
Customer		Project		Customer Document ID	
Eureka Srl		Eureka Offshore Substation		-	
Project ID		Replacing		Based on	
12084		-		-	
Responsible Department		Created by		Checked by	
-		Fabio Maroni		Giulio Pascolini	
Approved by		Title		Document ID	
Mauro Tavola		SUBSTATION JACKET - PLAN AT EL. -63.00		12084-CDD-116	
Rev.		Rel. Date		Page	
00		16.04.2024		1/1	

File name: 12084-CDD-116\_010.dwg



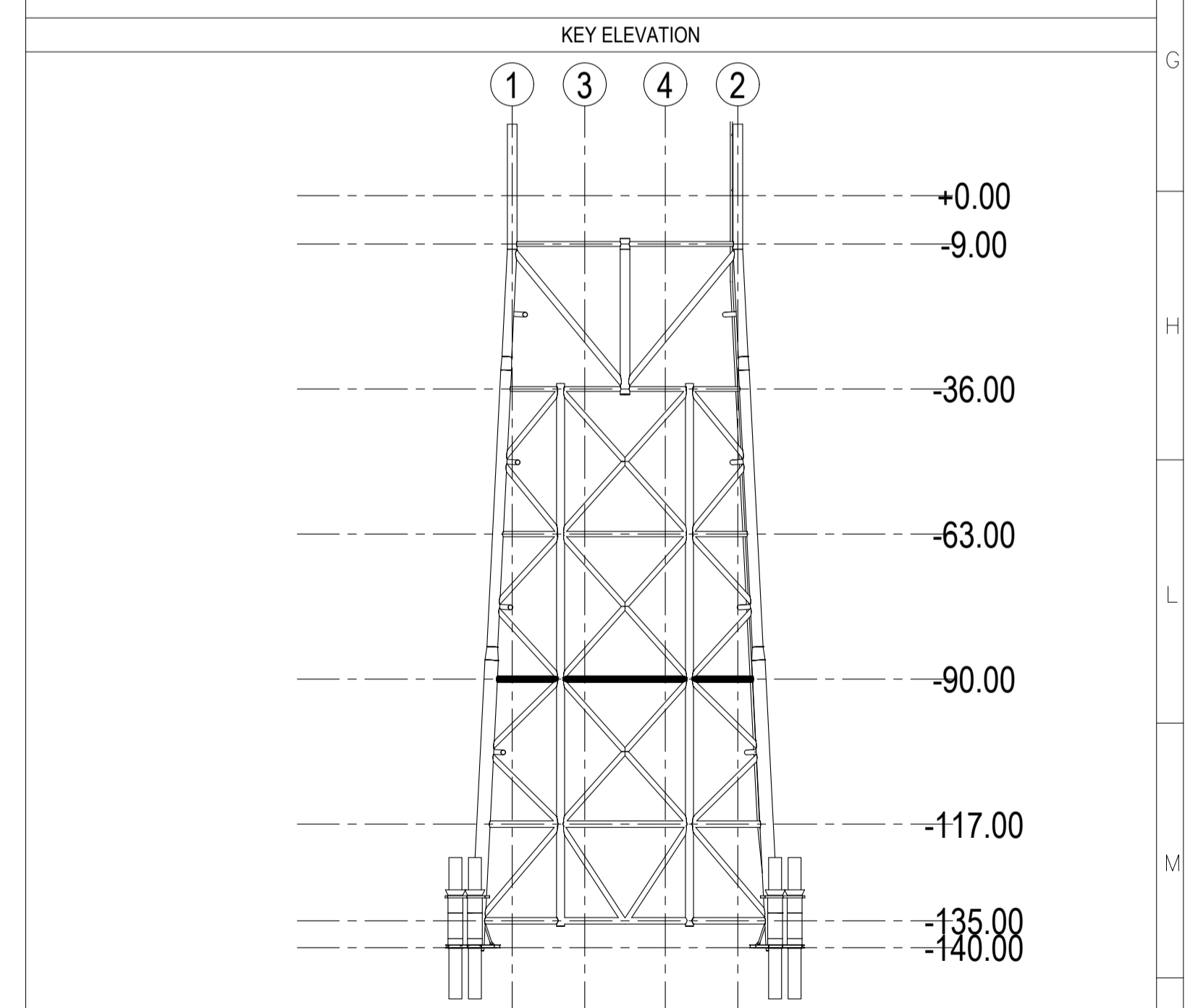
Mod. UNI-A1/0



REFERENCE DOCUMENTS		
REF	DOC TAG	DESCRIPTION
1	12084-CDD-100	SUBSTATION - ASSEMBLY - ISOMETRIC VIEW

**NOTES**

1 - ALL DIMENSIONS ARE IN mm U.N.O.  
2 - ALL ELEVATION ARE IN m REFERRED TO L.A.T.



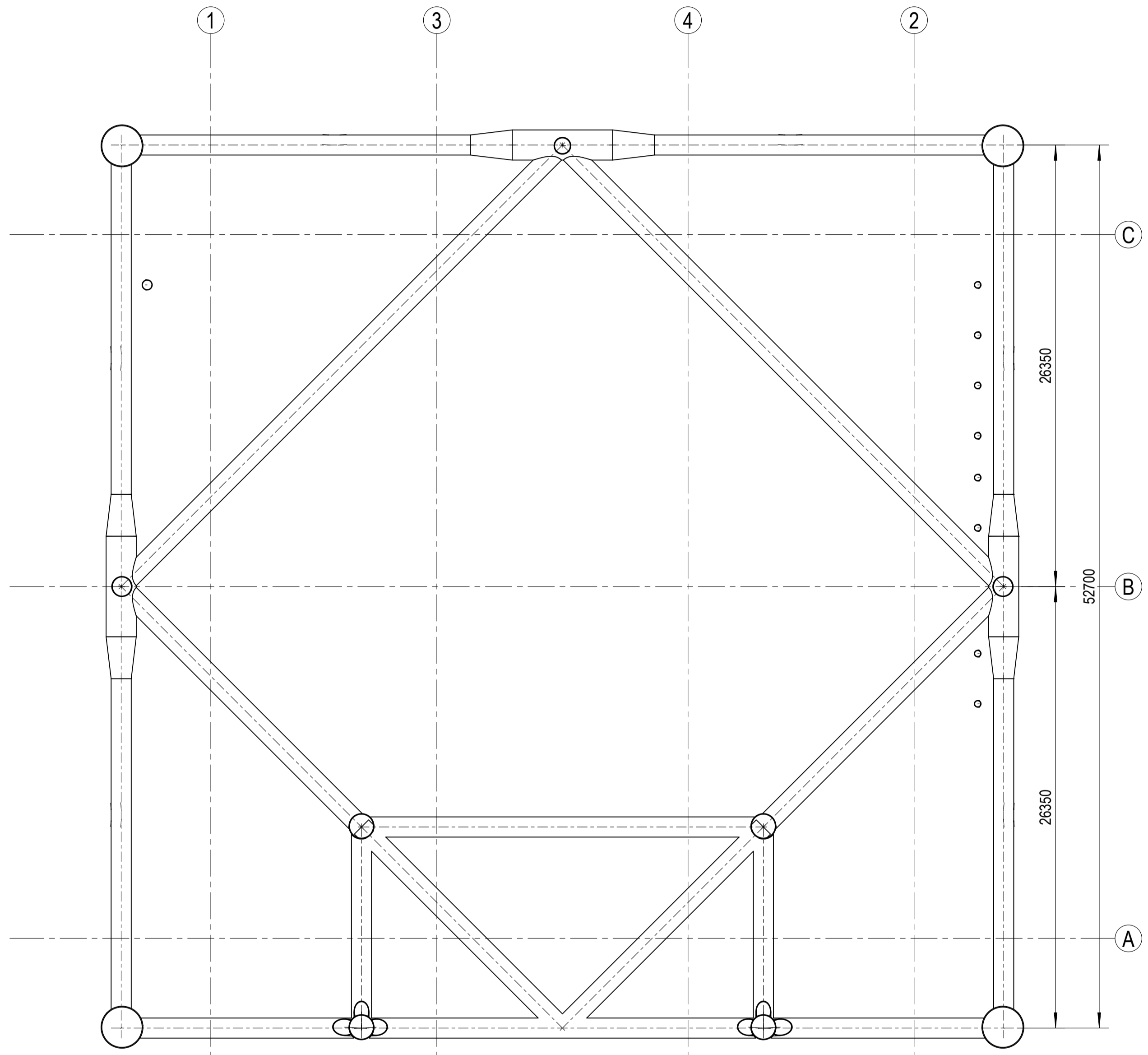
Rev.	Date	Created by	Checked by	Approved by	Description
00	16.04.2024	FM	GP	MT	First Issue
Customer		Project		Customer Document ID	
Eureka Srl		Eureka Offshore Substation		-	
Project ID		Replacing		Based on	
12084		-		-	
Responsible Department		Created by		Checked by	
-		Fabio Maroni		Giulio Pascolini	
Approved by		Title		Document ID	
Mauro Tavola		SUBSTATION JACKET - PLAN AT EL. -90.00		12084-CDD-117	
Rev.		Rel. Date		Page	
00		16.04.2024		1/1	

File name: 12084-CDD-117\_010.dwg



Mod. JWS-A1/0

PLATFORM NORTH



PLAN AT EL. -117.00  
REFERRED TO C.L. PIPE

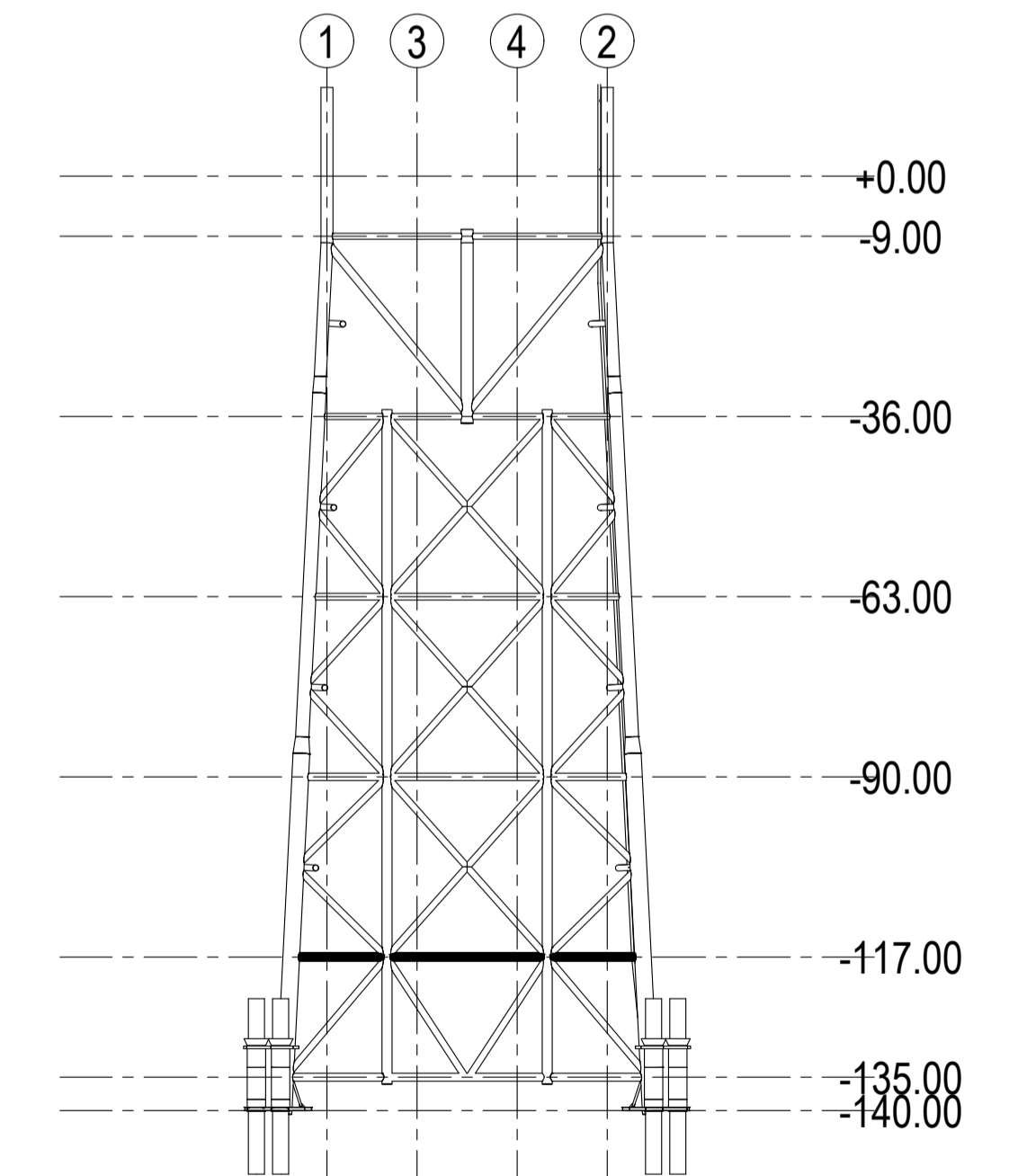
REFERENCE DOCUMENTS

REF	DOC TAG	DESCRIPTION
1	12084-CDD-100	SUBSTATION - ASSEMBLY - ISOMETRIC VIEW

NOTES

- 1 - ALL DIMENSIONS ARE IN mm U.N.O.
- 2 - ALL ELEVATION ARE IN m REFERRED TO L.A.T.

KEY ELEVATION



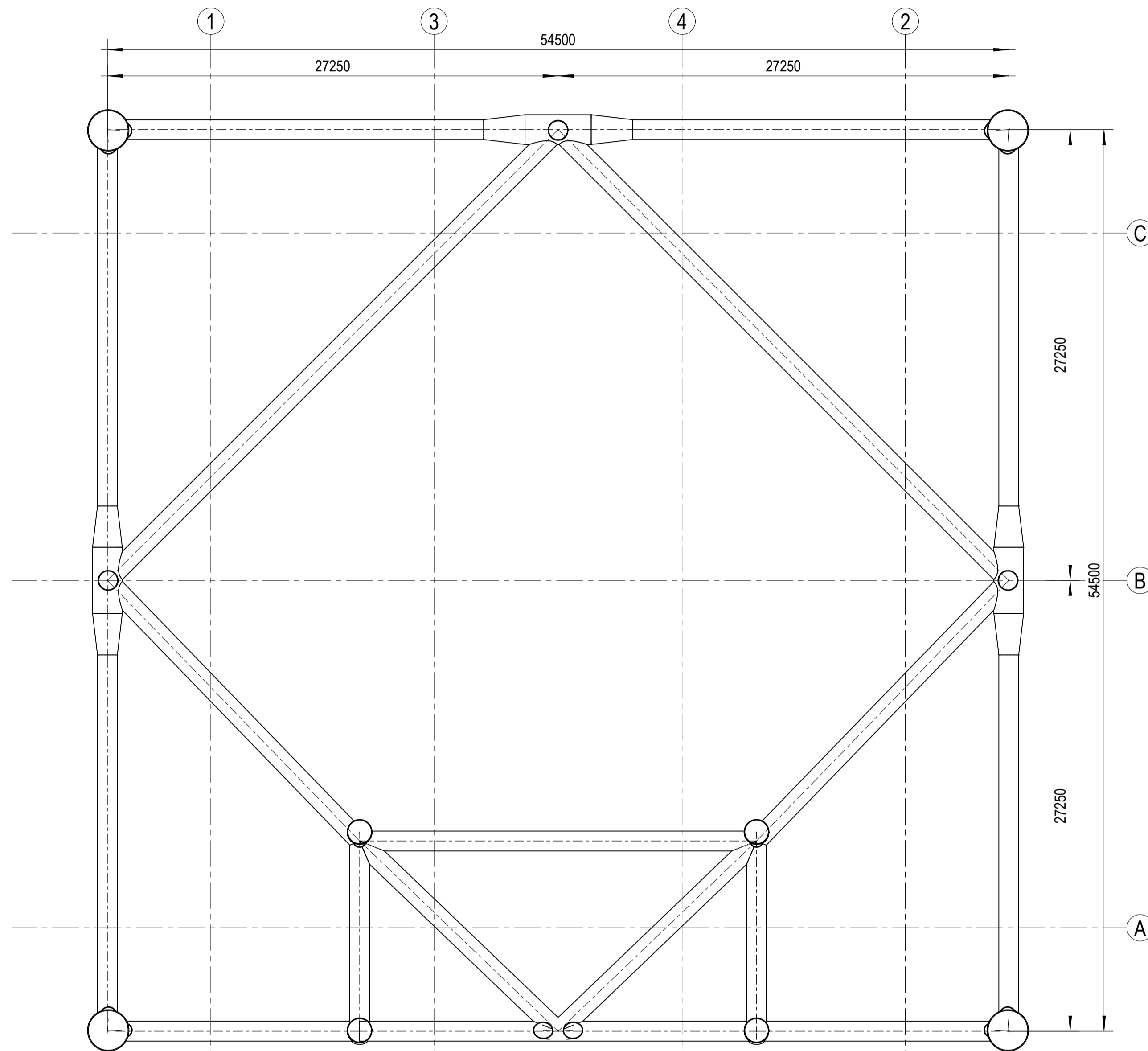
Rev.	Date	Created by	Checked by	Approved by	Description
00	16.04.2024	FM	GP	MT	First Issue
Customer		Project		Customer Document ID	
Eureka Srl		Eureka Offshore Substation		-	
Project ID		Replacing		Based on	
12084		-		-	
Responsible Department		Created by		Checked by	
-		Fabio Maroni		Giulio Pascolini	
Approved by		Approved by		Approved by	
-		Mauro Tavola		Mauro Tavola	
Title		Document ID		Rev.	
SUBSTATION JACKET - PLAN AT EL. -117.00		12084-CDD-118		00	
KKS-NO.: -		Rel. Date		Page	
-		16.04.2024		1/1	

File name: 12084-CDD-118\_00.dwg



Mod. JWS-A1/0

PLATFORM NORTH



PLAN AT EL. -135.00  
REFERRED TO C.L. PIPE

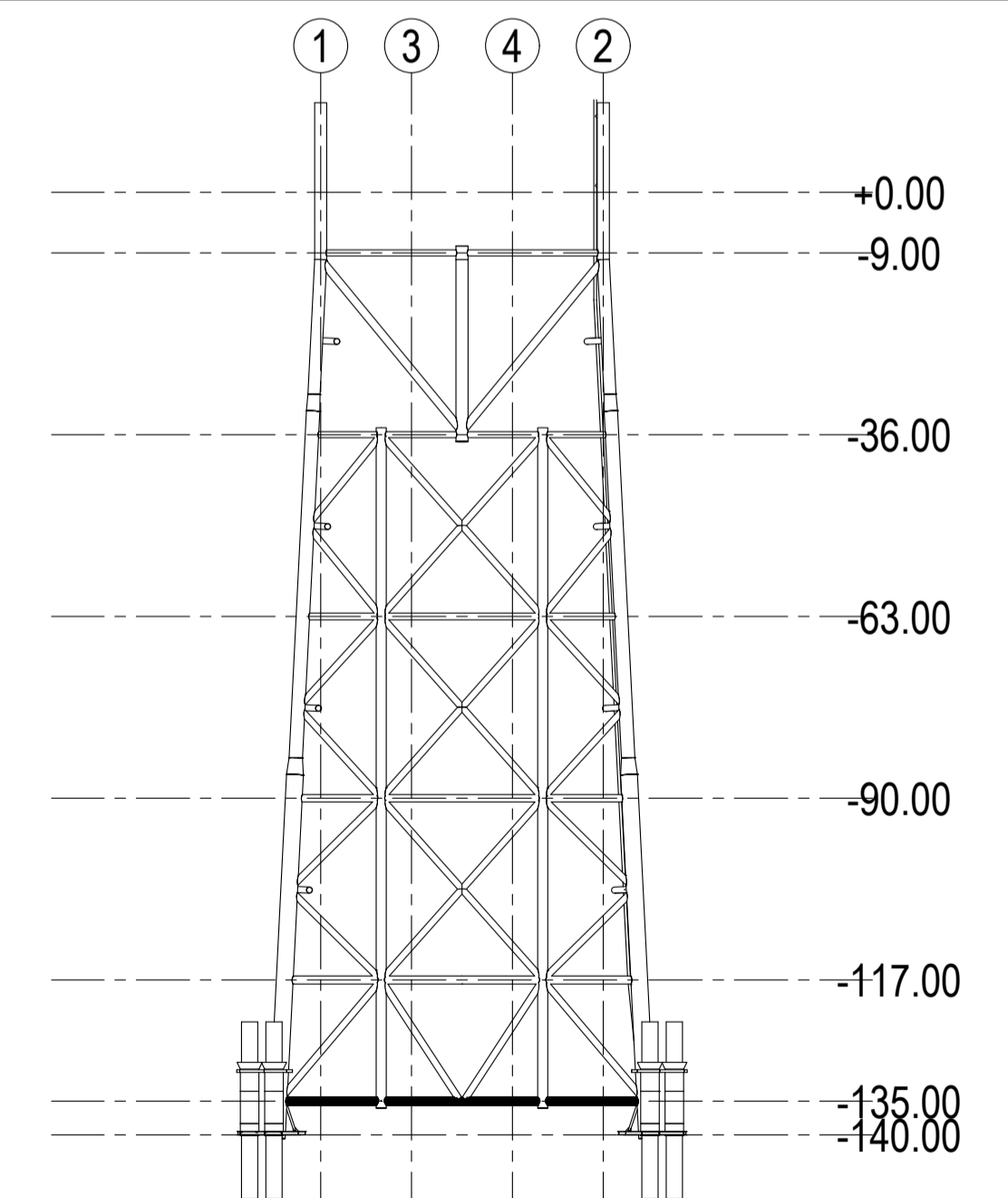
REFERENCE DOCUMENTS

REF	DOC TAG	DESCRIPTION
1	12084-CDD-100	SUBSTATION - ASSEMBLY - ISOMETRIC VIEW

NOTES

- 1 - ALL DIMENSIONS ARE IN mm U.N.O.
- 2 - ALL ELEVATION ARE IN m REFERRED TO L.A.T.

KEY ELEVATION



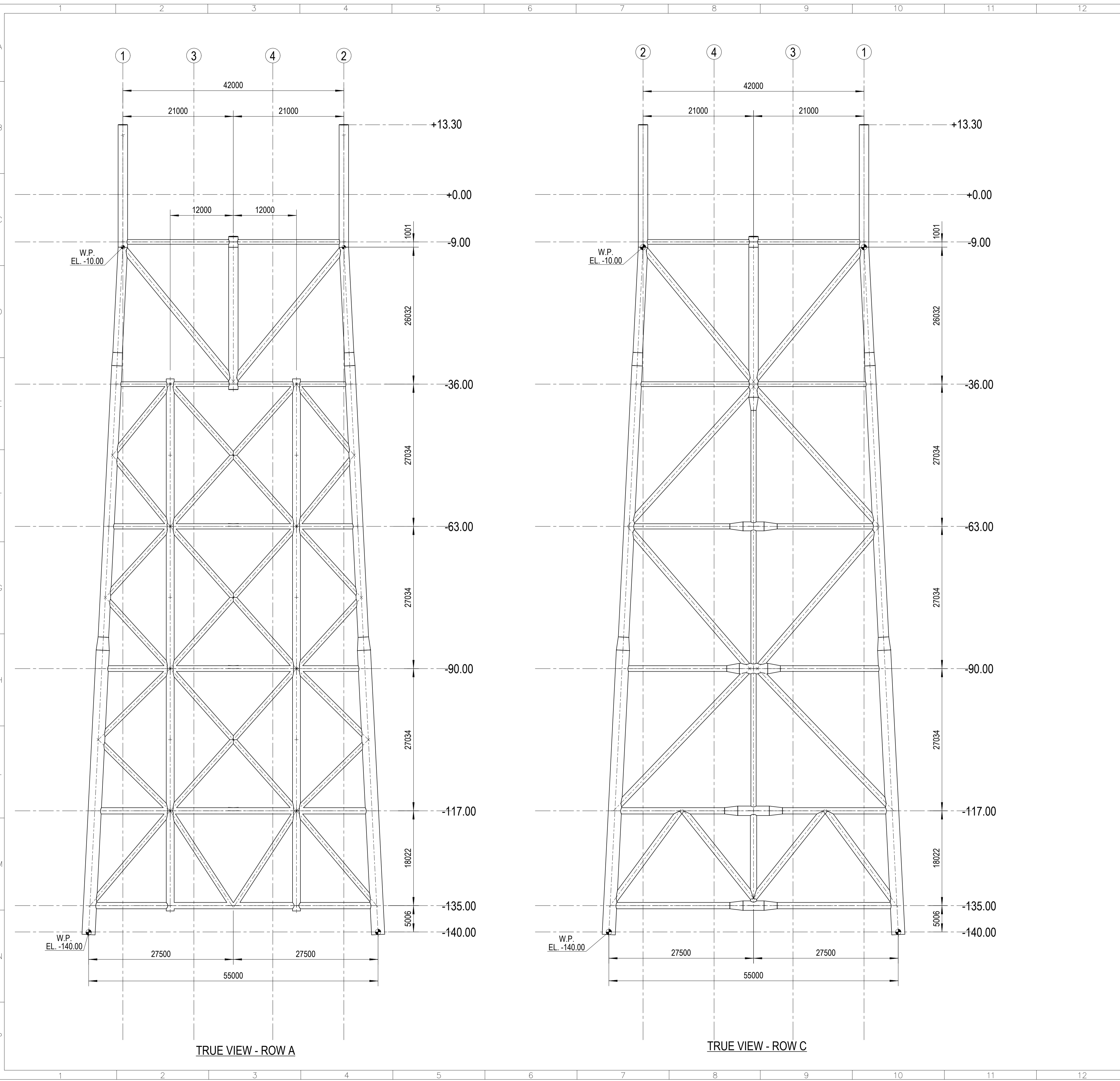
00	16.04.2024	FM	GP	MT	First Issue
Rev.	Date	Created by	Checked by	Approved by	Description
Customer		Project			Customer Document ID
Eureka Srl		Eureka Offshore Substation			-
Project ID		Replacing		Based on	Scale
12084		-		-	1:200
Responsible Department		Created by		Checked by	Approved by
-		Fabio Maroni		Giulio Pascolini	Mauro Tavola
Title		Document ID			
SUBSTATION JACKET - PLAN AT EL. -135.00		12084-CDD-119			
Rev.		Rel. Date		Page	
00		16.04.2024		1/1	

File name: 12084-CDD-119\_00.dwg



Mod. JWS-A1/0





REFERENCE DOCUMENTS		
REF	DOC TAG	DESCRIPTION
1	12084-CDD-100	SUBSTATION - ASSEMBLY - ISOMETRIC VIEW

**NOTES**

1 - ALL DIMENSIONS ARE IN mm U.N.O.  
 2 - ALL ELEVATION ARE IN m REFERRED TO L.A.T.

**KEY PLAN**

**PLATFORM NORTH**

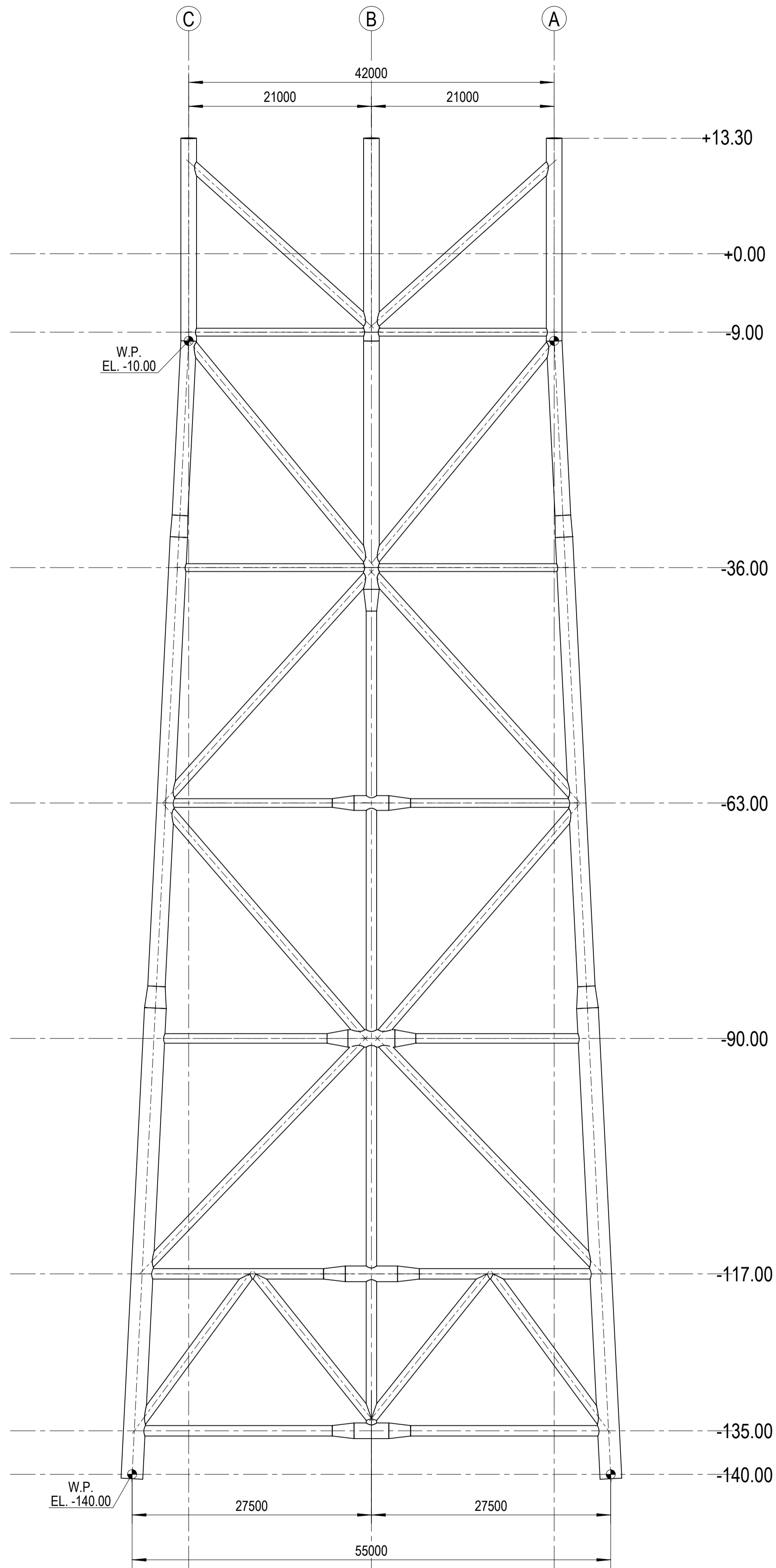
  

00	16.04.2024	FM	GP	MT	First Issue
Rev.	Date	Created by	Checked by	Approved by	Description
Customer		Project			Customer Document ID
Eureka Srl		Eureka Offshore Substation			-
Project ID		Replacing		Based on	Scale
12084		-		-	1:350
Responsible Department		Created by		Checked by	Approved by
-		Fabio Maroni		Giulio Pascolini	Mauro Tavola
Title		Document ID			
SUBSTATION JACKET - TRUE VIEW ROW A - C		12084-CDD-120			
KKS-NO: -		Rev.	Rel. Date	Page	
-		00	16.04.2024	1/1	

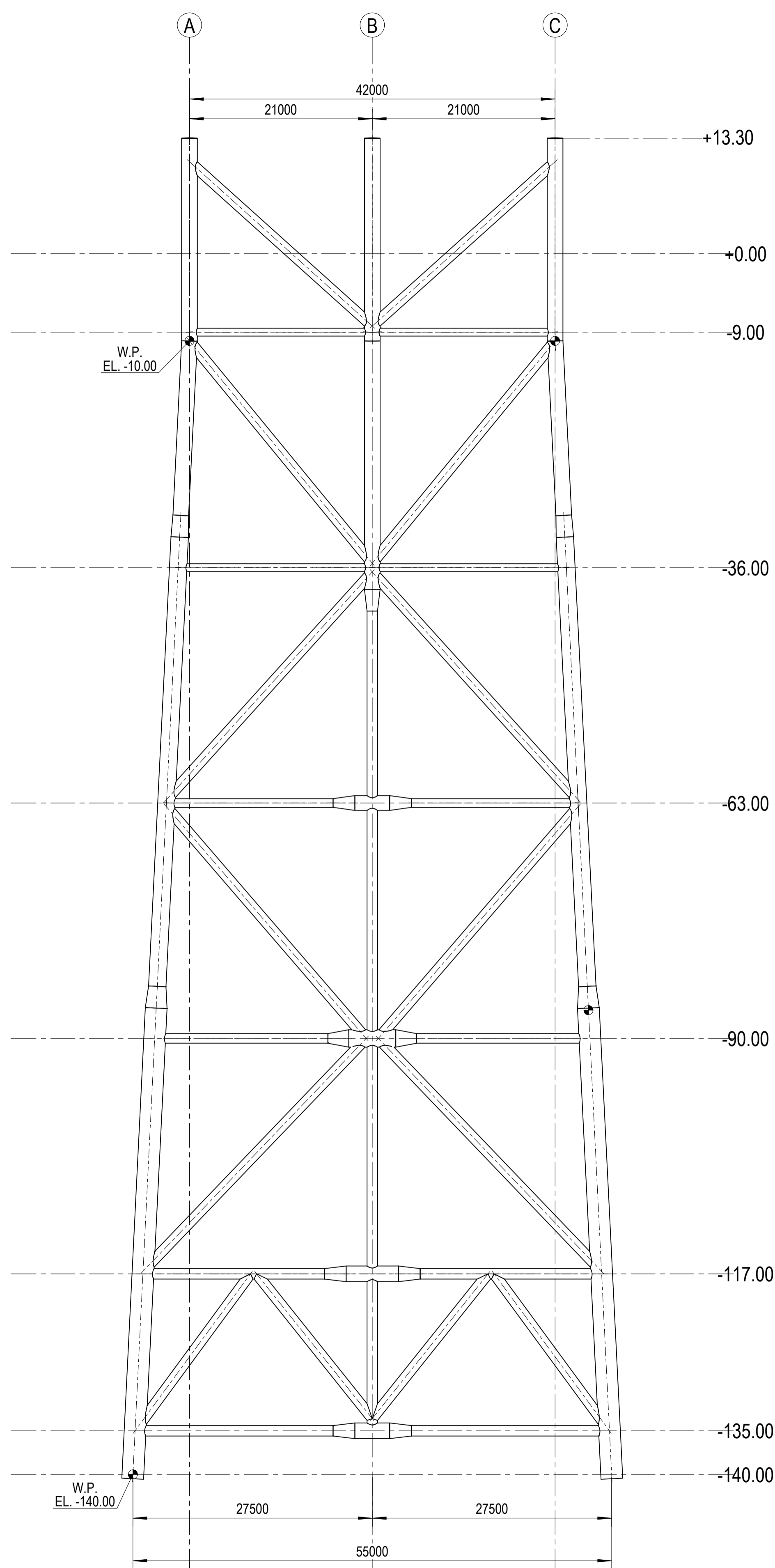
File name: 12084-CDD-120\_010.dwg



Mod. UNI-81/0



TRUE VIEW - ROW 1

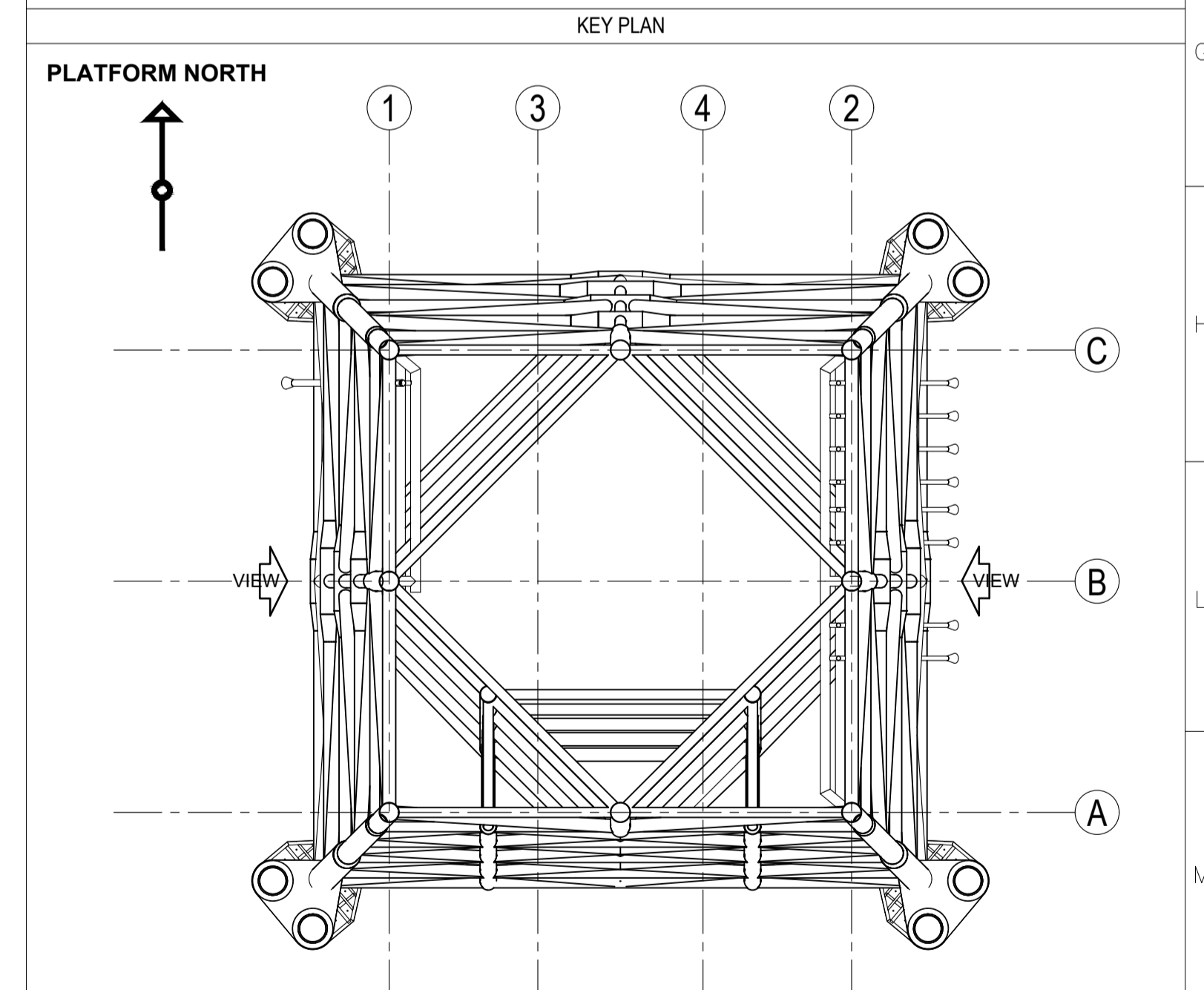


TRUE VIEW - ROW 2

REFERENCE DOCUMENTS		
REF	DOC TAG	DESCRIPTION
1	12084-CDD-100	SUBSTATION - ASSEMBLY - ISOMETRIC VIEW

**NOTES**

1 - ALL DIMENSIONS ARE IN mm U.N.O.  
 2 - ALL ELEVATION ARE IN m REFERRED TO L.A.T.



00	16.04.2024	FM	GP	MT	First Issue
Rev.	Date	Created by	Checked by	Approved by	Description
Customer		Project			Customer Document ID
Eureka Srl		Eureka Offshore Substation			-
Project ID		Replacing		Based on	Scale
12084		-		-	1:350
Responsible Department		Created by		Checked by	Approved by
-		Fabio Maroni		Giulio Pascolini	Mauro Tavola
Title				Document ID	
SUBSTATION JACKET - TRUE VIEW ROW 1 - 2				12084-CDD-121	
Rev.		Rel. Date		Page	
00		16.04.2024		1/1	

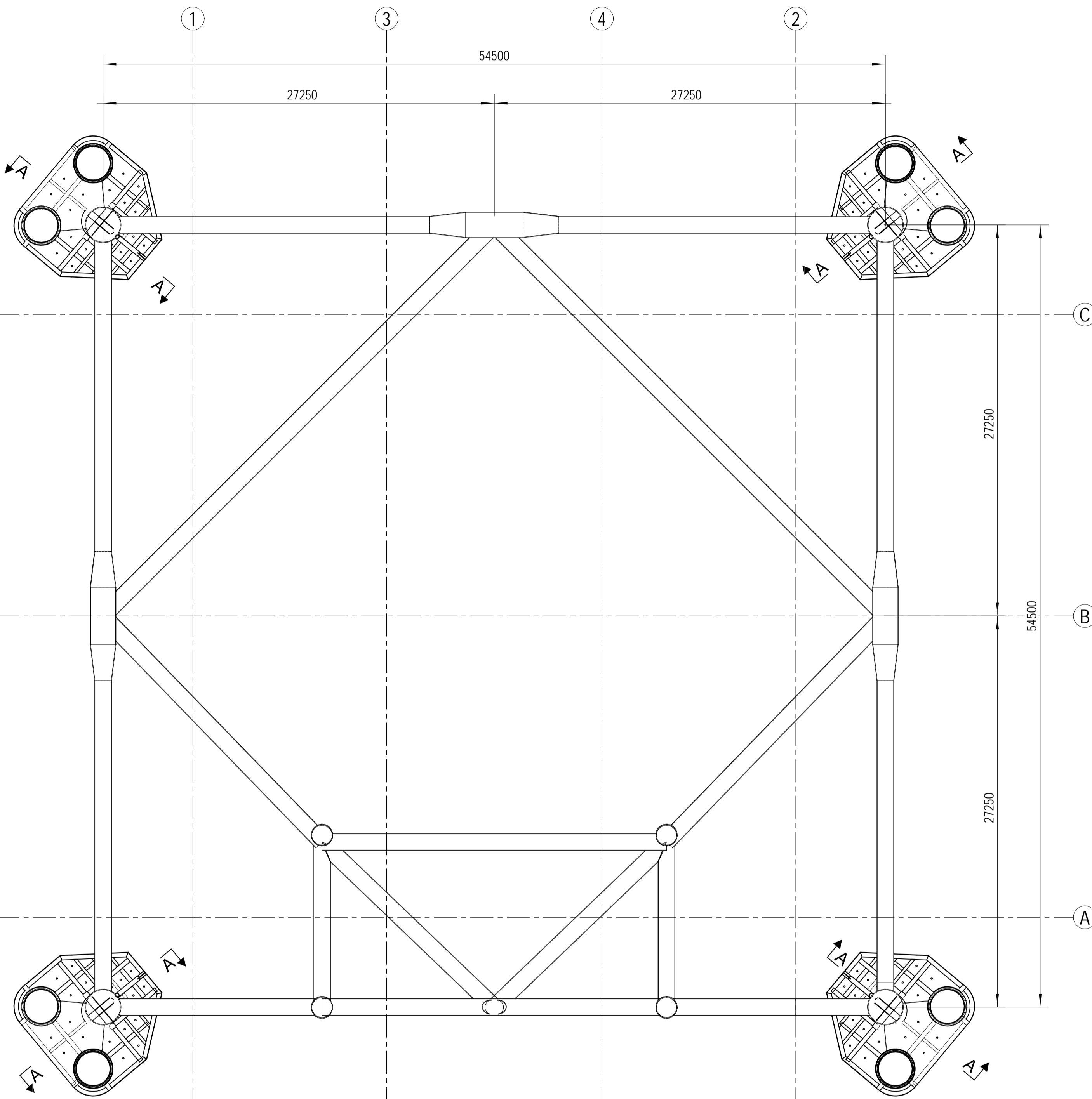
File name: 12084-CDD-121\_010.dwg



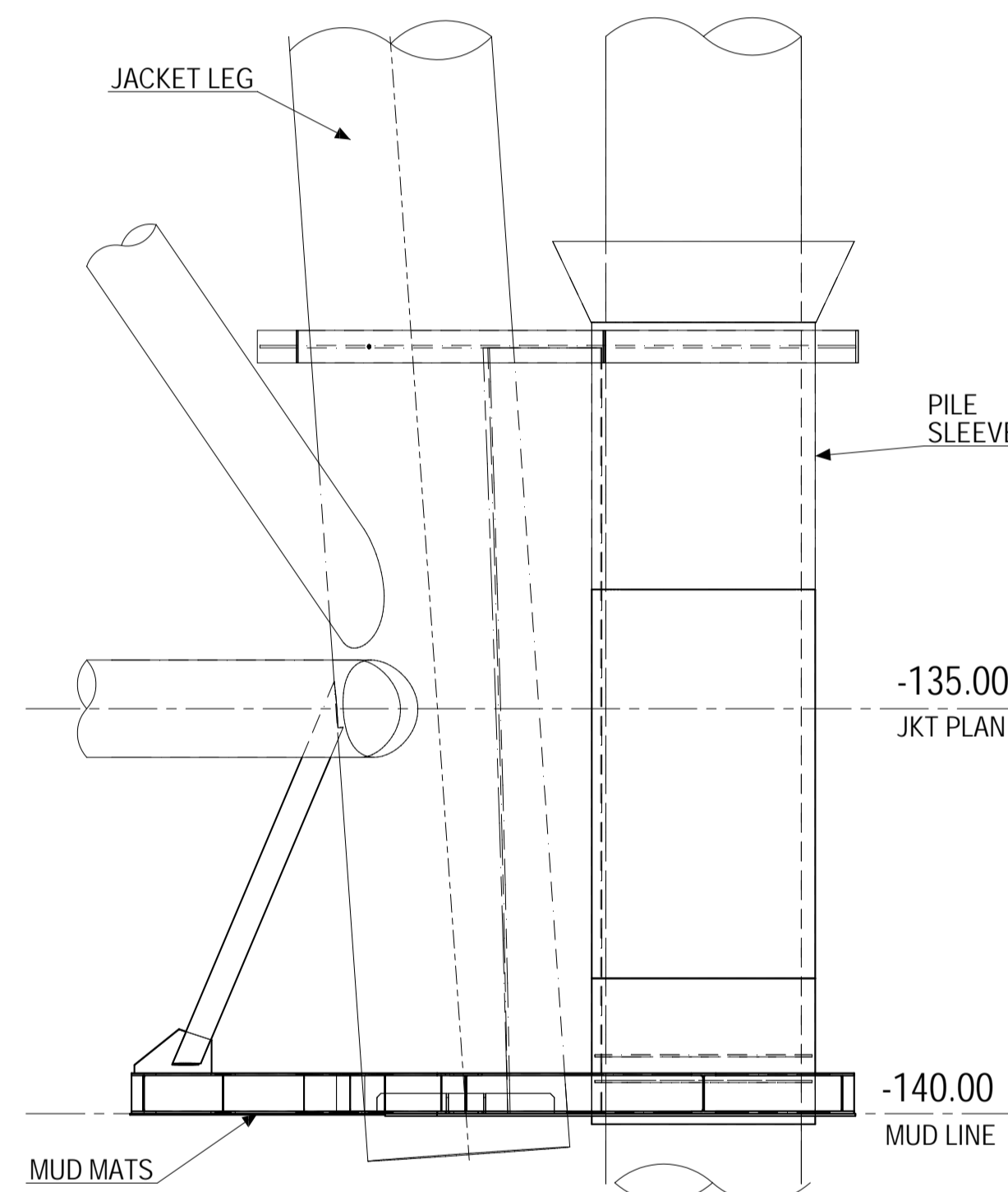
Mod. JWS-A1/0



PLATFORM NORTH



PLAN AT EL. -135.00  
REFERRED TO C.L. PIPE



SECTION A-A  
1:75

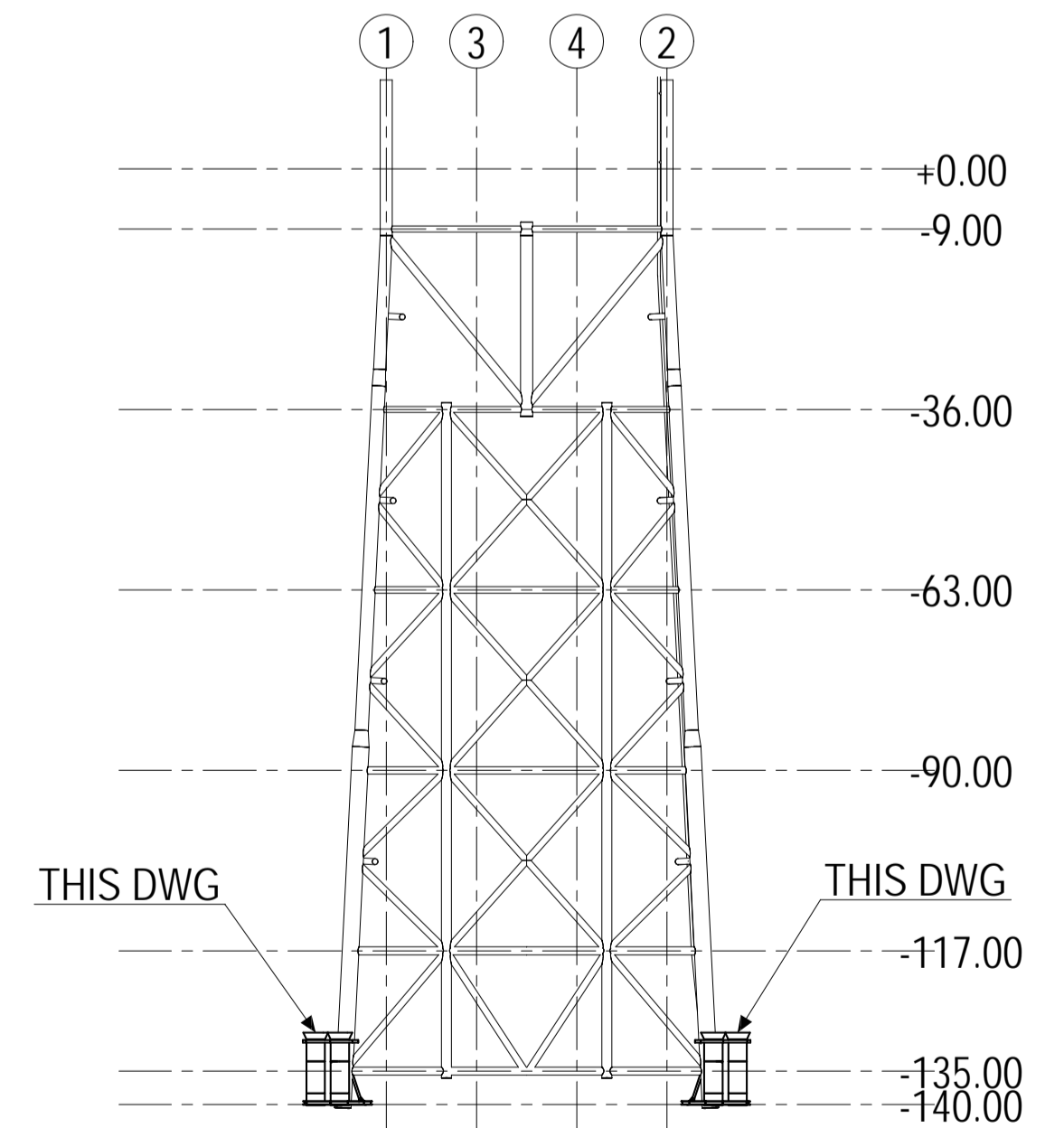
REFERENCE DOCUMENTS

REF	DOC TAG	DESCRIPTION
1	12084-CDD-100	SUBSTATION - ASSEMBLY - ISOMETRIC VIEW

NOTES

- 1 - ALL DIMENSIONS ARE IN mm U.N.O.
- 2 - ALL ELEVATION ARE IN m REFERRED TO L.A.T.

KEY ELEVATION

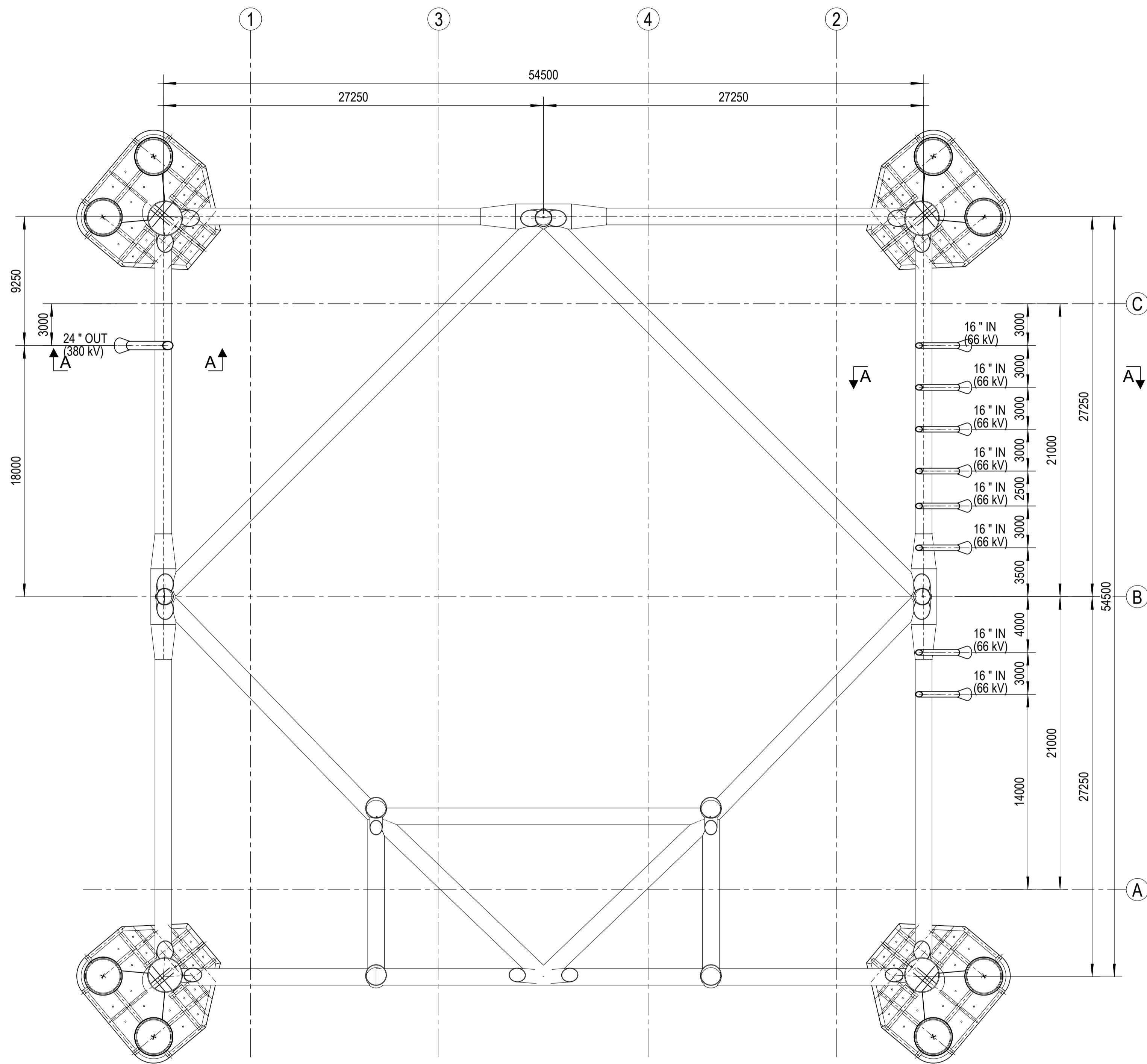
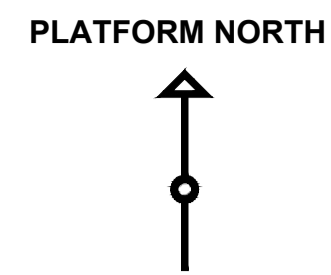


Rev.	Date	Created by	Checked by	Approved by	Description
00	16.04.2024	FM	GP	MT	First Issue
Customer		Project		Customer Document ID	
Eureka Srl		Eureka Offshore Substation		-	
Project ID		Replacing		Based on	
12084		-		-	
Responsible Department		Created by		Checked by	
-		Fabio Maroni		Giulio Pascolini	
Approved by		Title		Document ID	
Mauro Tavola		SUBSTATION JACKET - PILES SLEEVES & MUD MATS ASSEMBLY		12084-CDD-122	
KKS-NO.: -		Rev.		Rel. Date	
-		00		16.04.2024	
				Page	
				1/1	

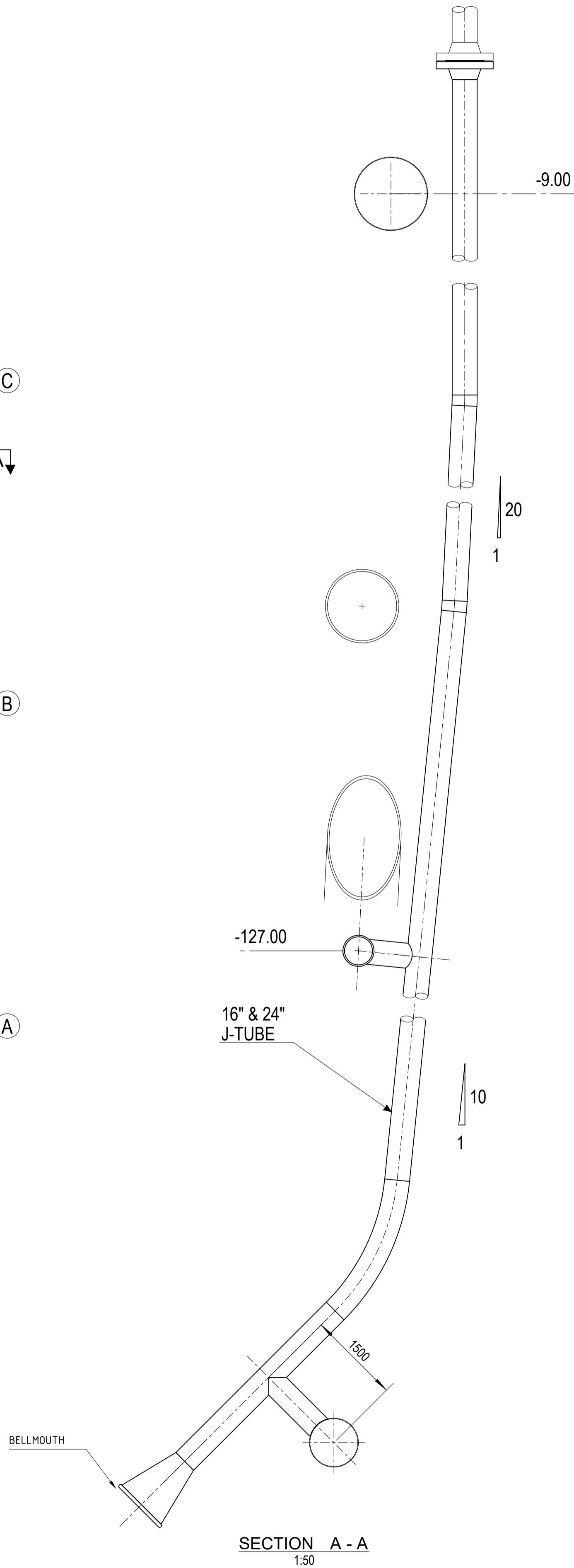
File name: 12084-CDD-122\_00.dwg



Mod. UNI-T/0



PLAN AT EL. -135.00  
REFERRED TO C.L. PIPE

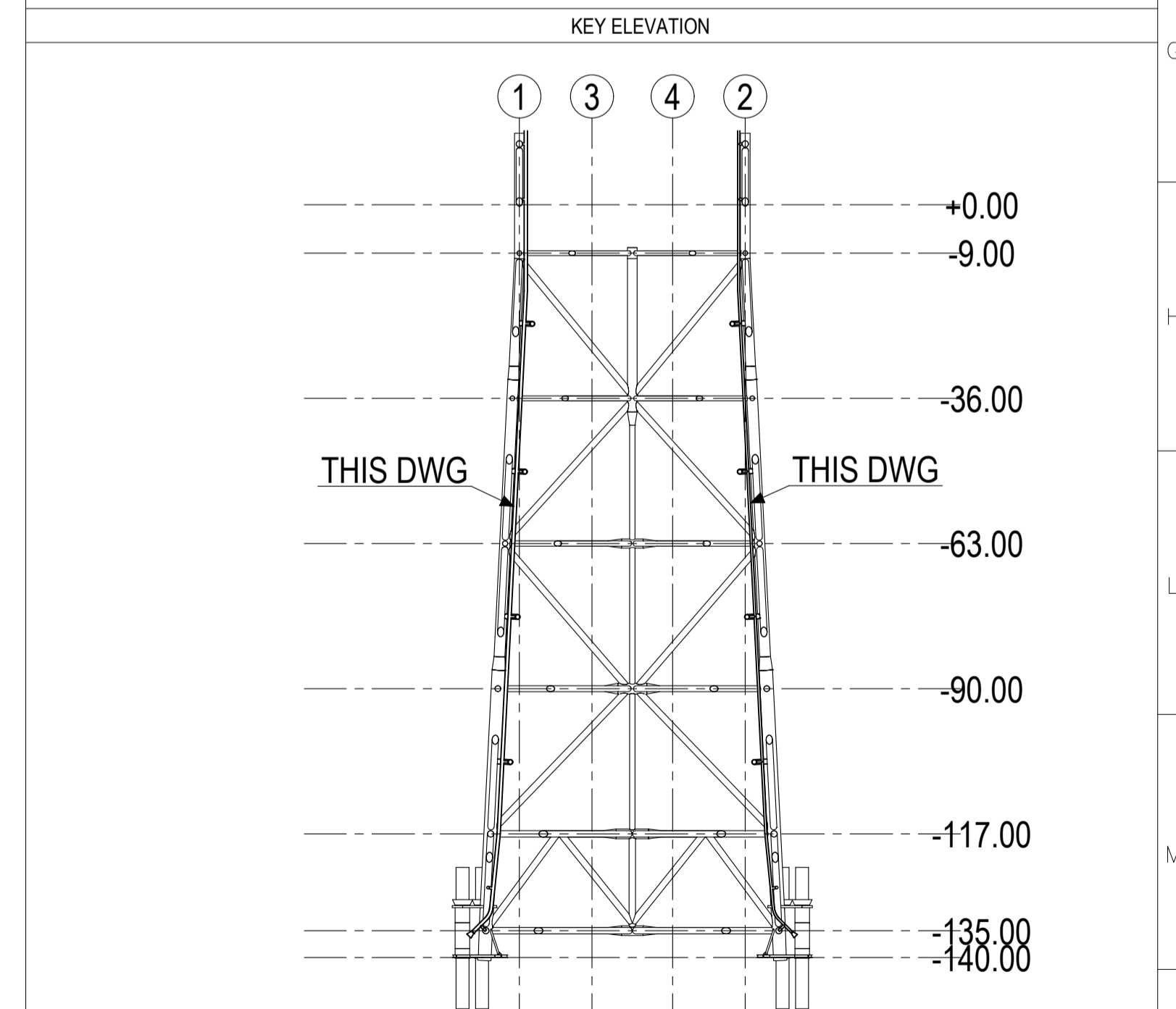


SECTION A - A  
1:50

REFERENCE DOCUMENTS		
REF	DOC TAG	DESCRIPTION
1	12084-CDD-100	SUBSTATION - ASSEMBLY - ISOMETRIC VIEW

NOTES

1 - ALL DIMENSIONS ARE IN mm U.N.O.  
2 - ALL ELEVATION ARE IN m REFERRED TO L.A.T.

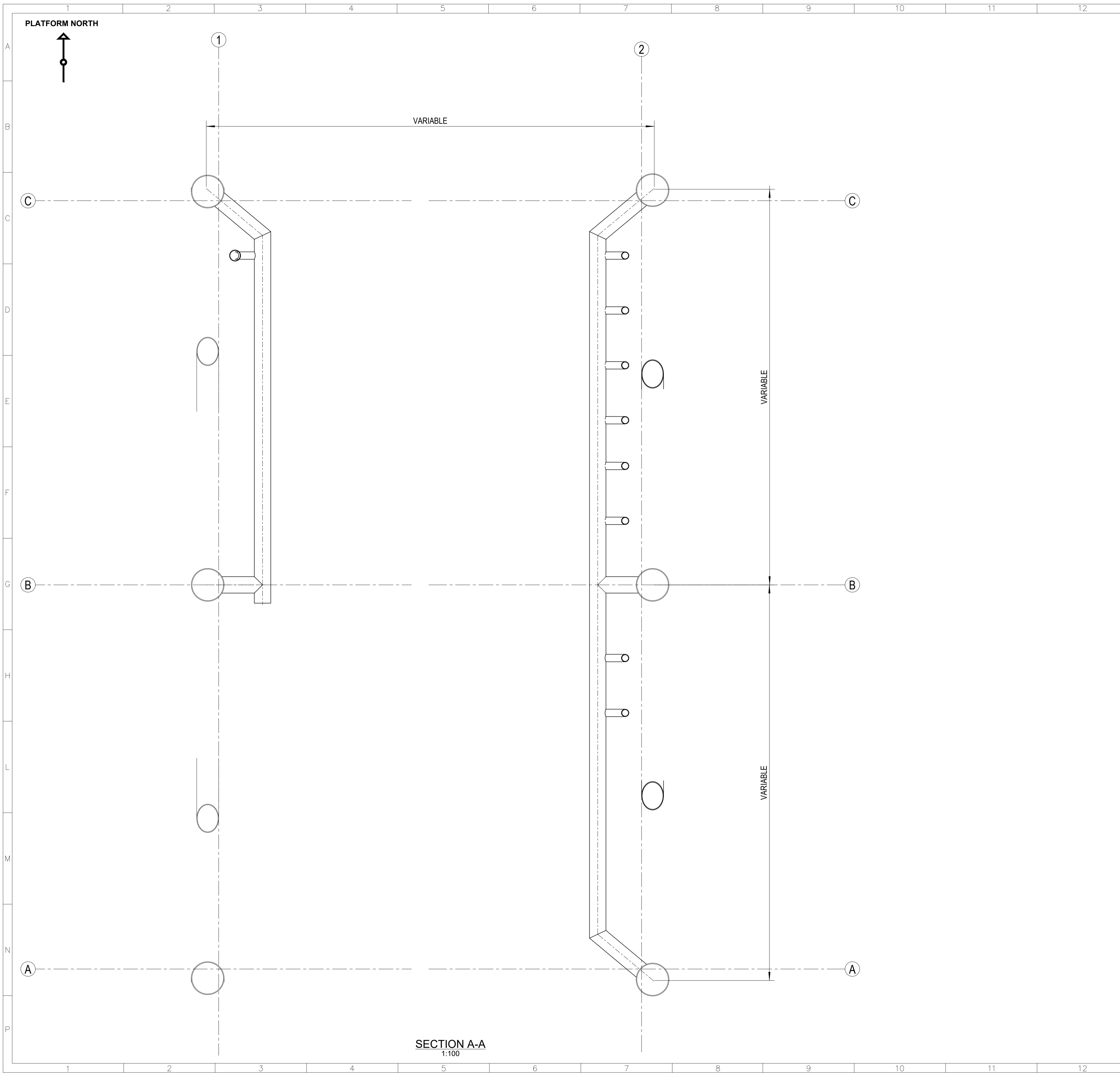


Rev.	Date	Created by	Checked by	Approved by	Description
00	16.04.2024	FM	GP	MT	First Issue
Customer		Project		Customer Document ID	
Eureka Srl		Eureka Offshore Substation		-	
Project ID		Replacing		Based on	
12084		-		-	
Responsible Department		Created by		Checked by	
-		Fabio Maroni		Giulio Pascolini	
Approved by		Approved by		Approved by	
-		Mauro Tavola		Mauro Tavola	
Title		Document ID		Rev.	
SUBSTATION JACKET - J-TUBES ASSEMBLY AND DETAILS		12084-CDD-123		16.04.2024	
KKS-NO.: -		Page		1/1	

File name: 12084-CDD-123\_00.dwg





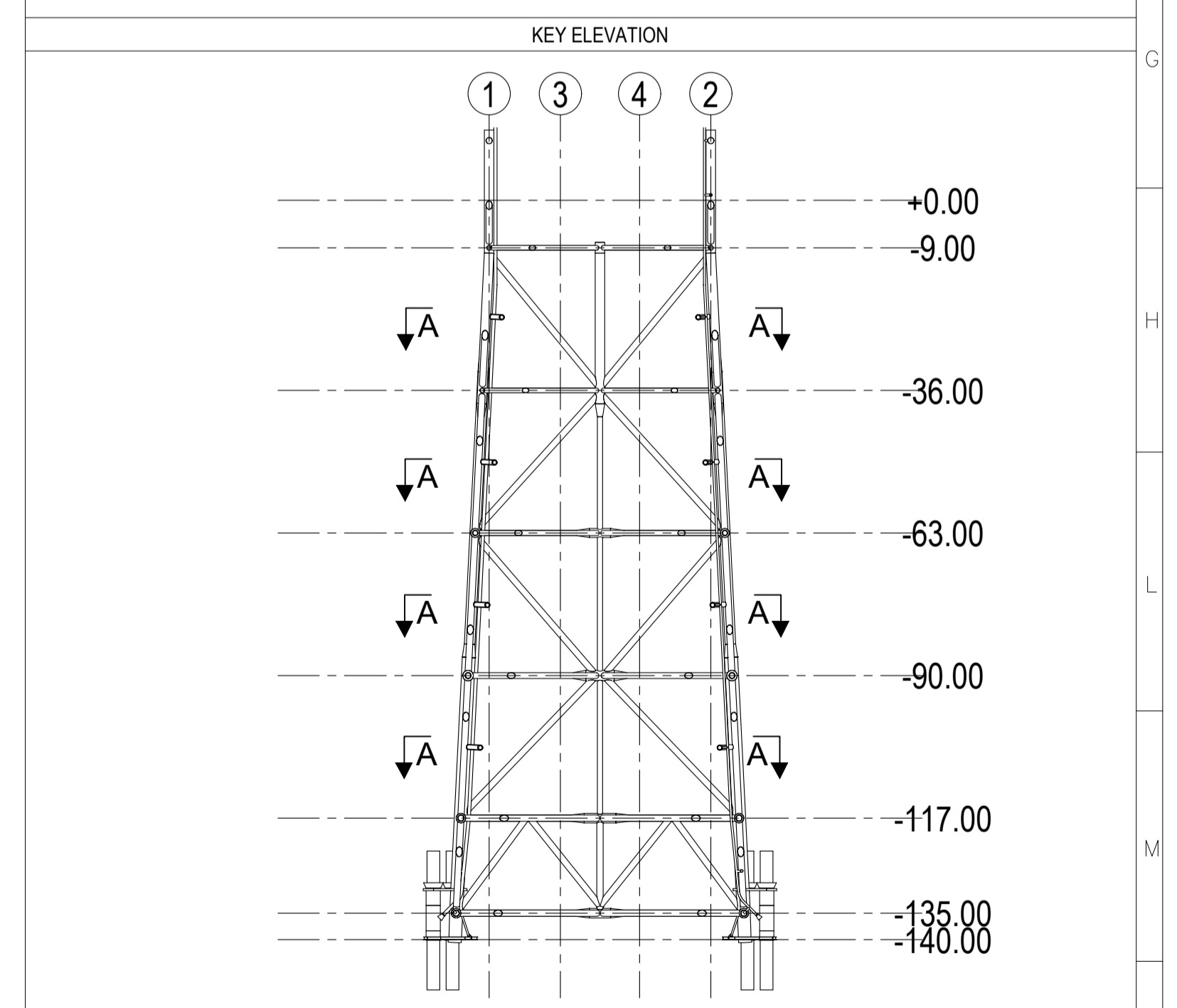


SECTION A-A  
1:100

REFERENCE DOCUMENTS		
REF	DOC TAG	DESCRIPTION
1	12084-CDD-100	SUBSTATION - ASSEMBLY - ISOMETRIC VIEW

NOTES

1 - ALL DIMENSIONS ARE IN mm U.N.O.  
2 - ALL ELEVATION ARE IN m REFERRED TO L.A.T.

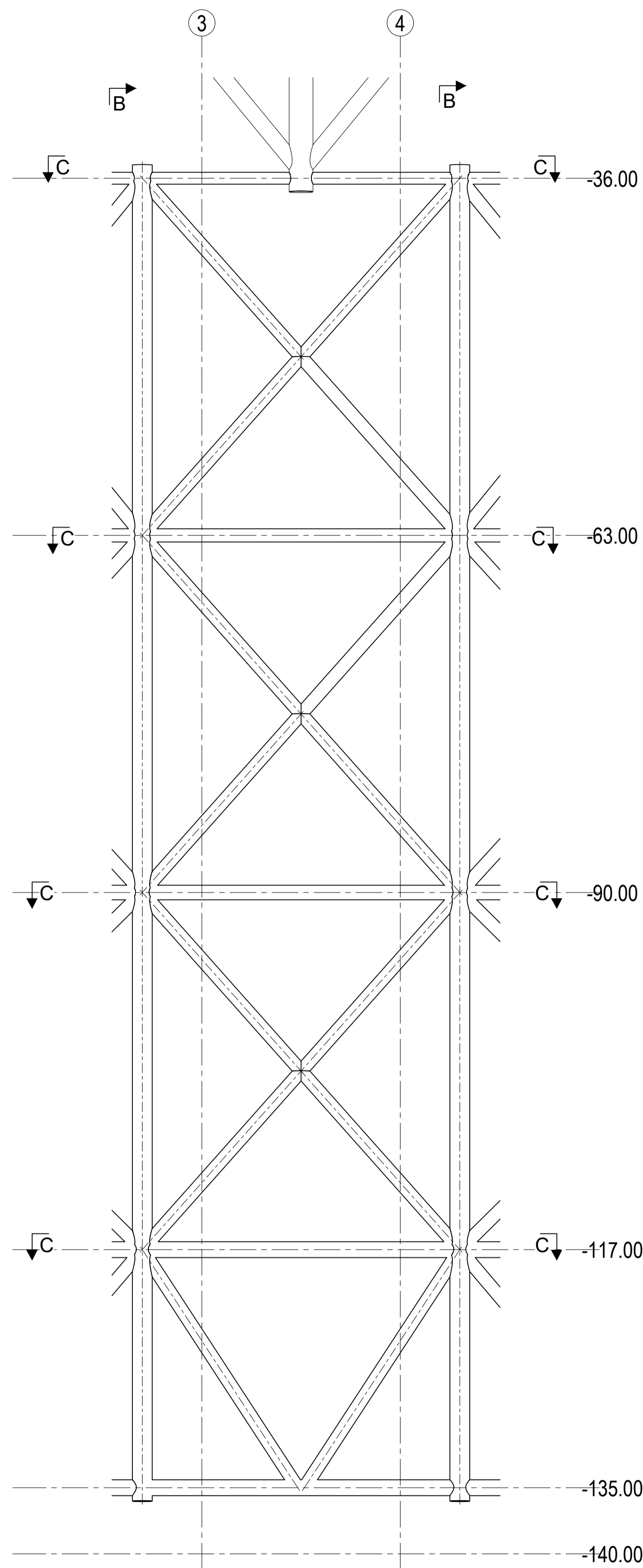


00	16.04.2024	FM	GP	MT	First Issue
Rev.	Date	Created by	Checked by	Approved by	Description
Customer		Project			Customer Document ID
Eureka Srl		Eureka Offshore Substation			-
Project ID		Replacing		Based on	Scale
12084		-		-	1:100
Responsible Department		Created by		Checked by	Approved by
-		Fabio Maroni		Giulio Pascolini	Mauro Tavola
Title		Document ID			
SUBSTATION JACKET - J-TUBE SUPPORTS ASSEMBLY AND DETAILS		12084-CDD-124			
KKS-NO: -		Rev.	Rel. Date	Page	
-		00	16.04.2024	1/1	

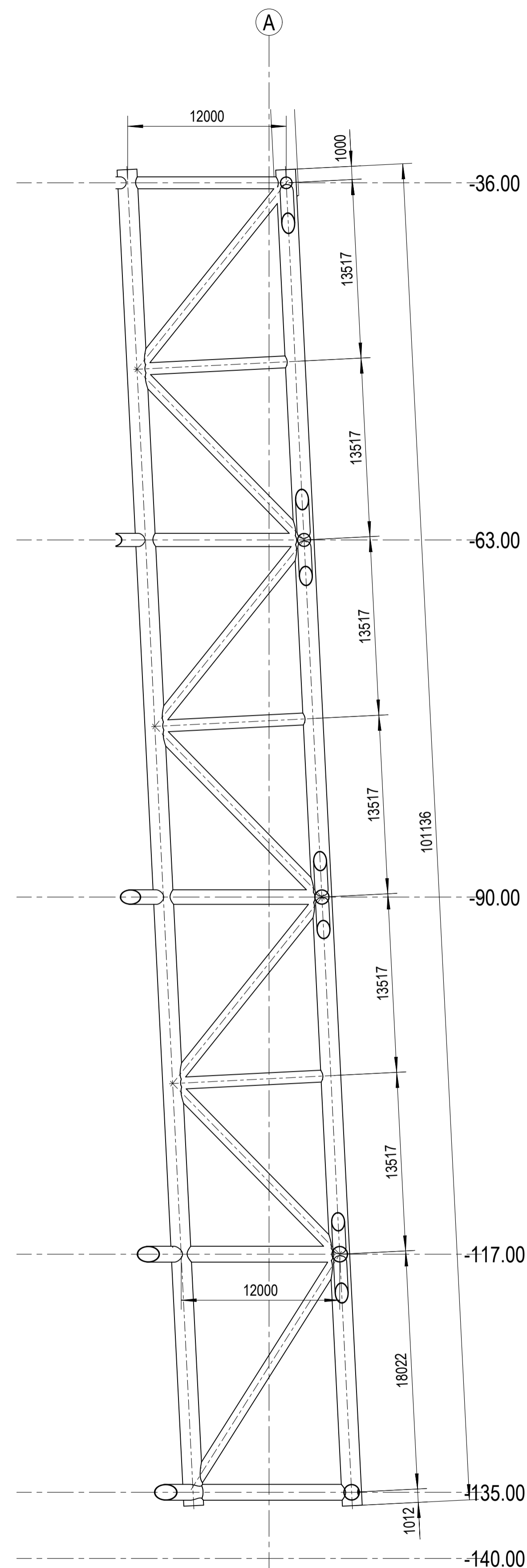
File name: 12084-CDD-124\_010.dwg



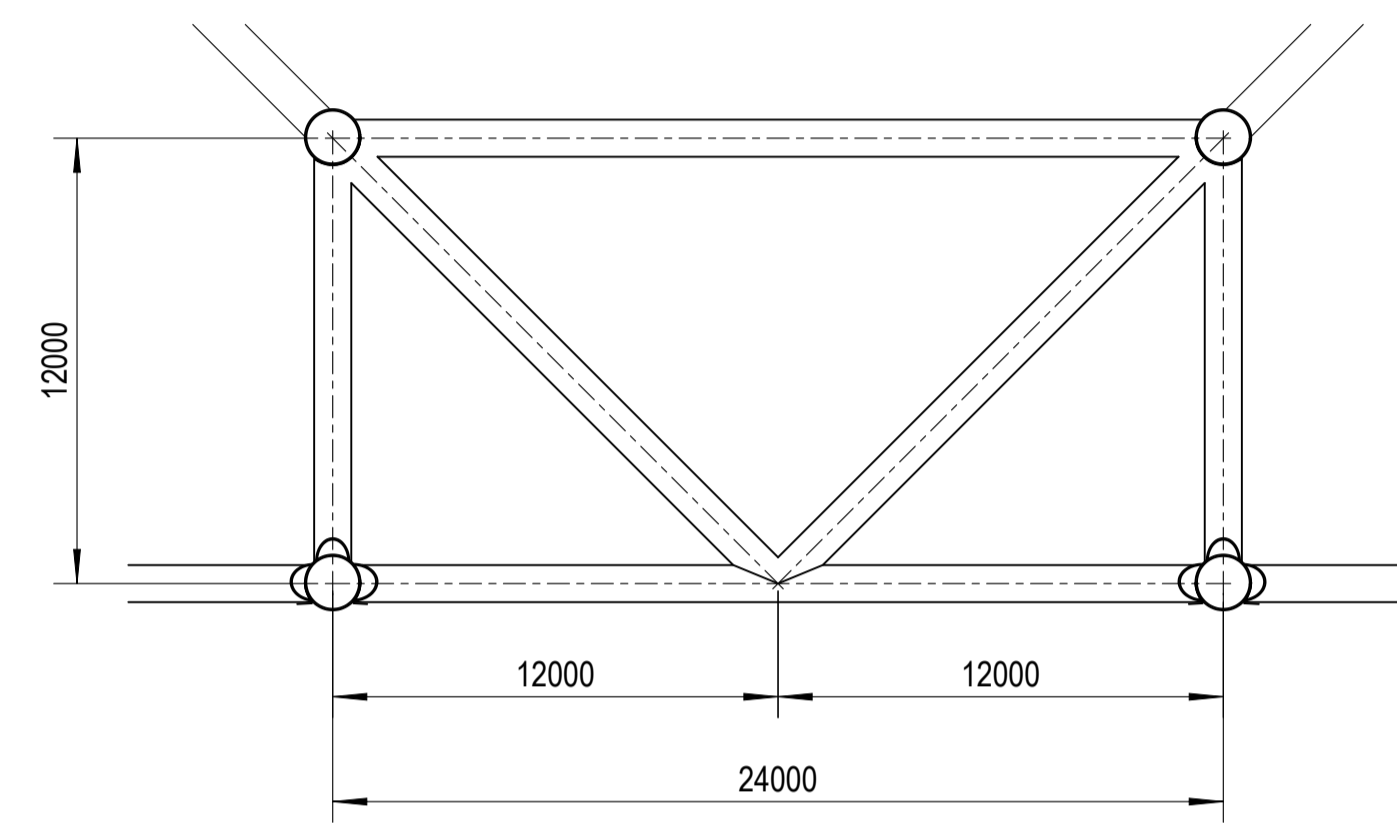
Mod. JTB-A1/0



SECTION A - A  
1:250



SECTION B - B  
1:250

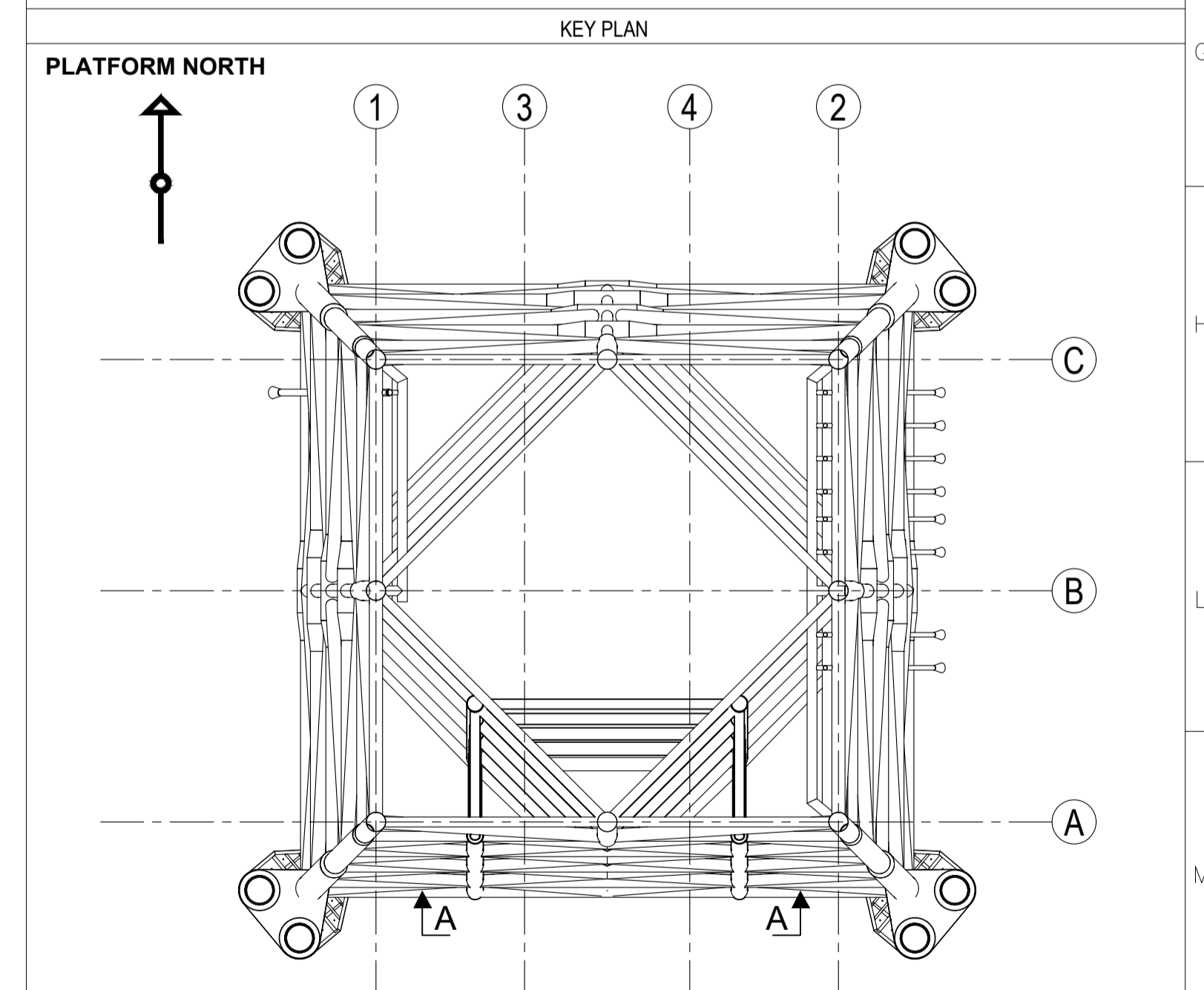


SECTION C - C  
1:200

REFERENCE DOCUMENTS		
REF	DOC TAG	DESCRIPTION
1	12084-CDD-100	SUBSTATION - ASSEMBLY - ISOMETRIC VIEW

NOTES

1 - ALL DIMENSIONS ARE IN mm U.N.O.  
2 - ALL ELEVATION ARE IN m REFERRED TO L.A.T.



00	16.04.2024	FM	GP	MT	First Issue
Rev.	Date	Created by	Checked by	Approved by	Description
Customer		Project			Customer Document ID
Eureka Srl		Eureka Offshore Substation			-
Project ID		Replacing		Based on	Scale
12084		-		-	1:200
Responsible Department		Created by		Checked by	Approved by
-		Fabio Maroni		Giulio Pascolini	Mauro Tavola
Title		Document ID			
SUBSTATION JACKET - LAUNCHING TRUSS ASSEMBLY AND DETAILS		12084-CDD-125			
KKS-NO.: -		Rev.	Rel. Date	Page	
-		00	16.04.2024	1/1	

File name: 12084-CDD-125\_010.dwg



Mod. UNI-A1/D