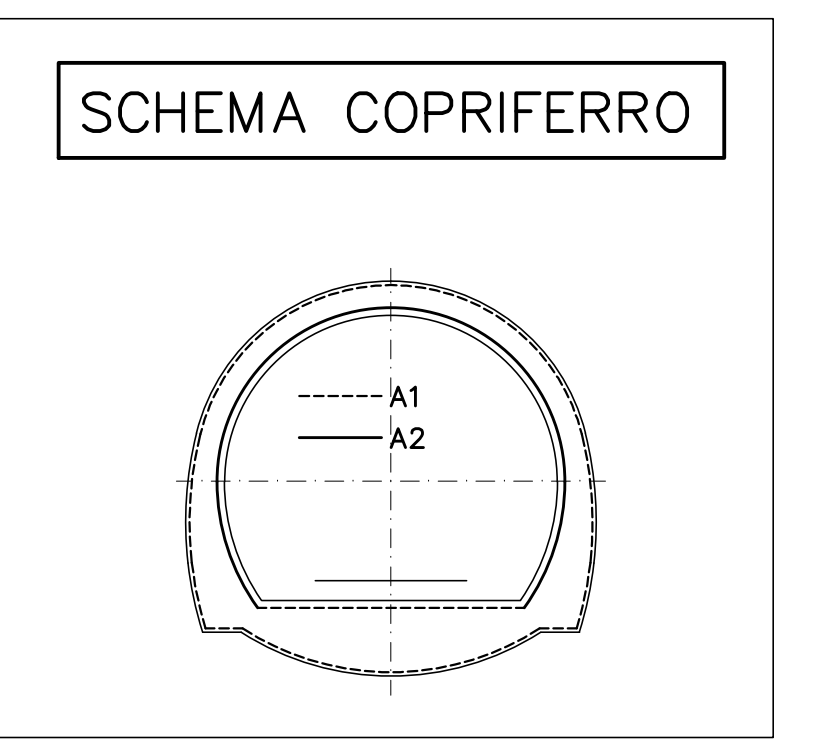
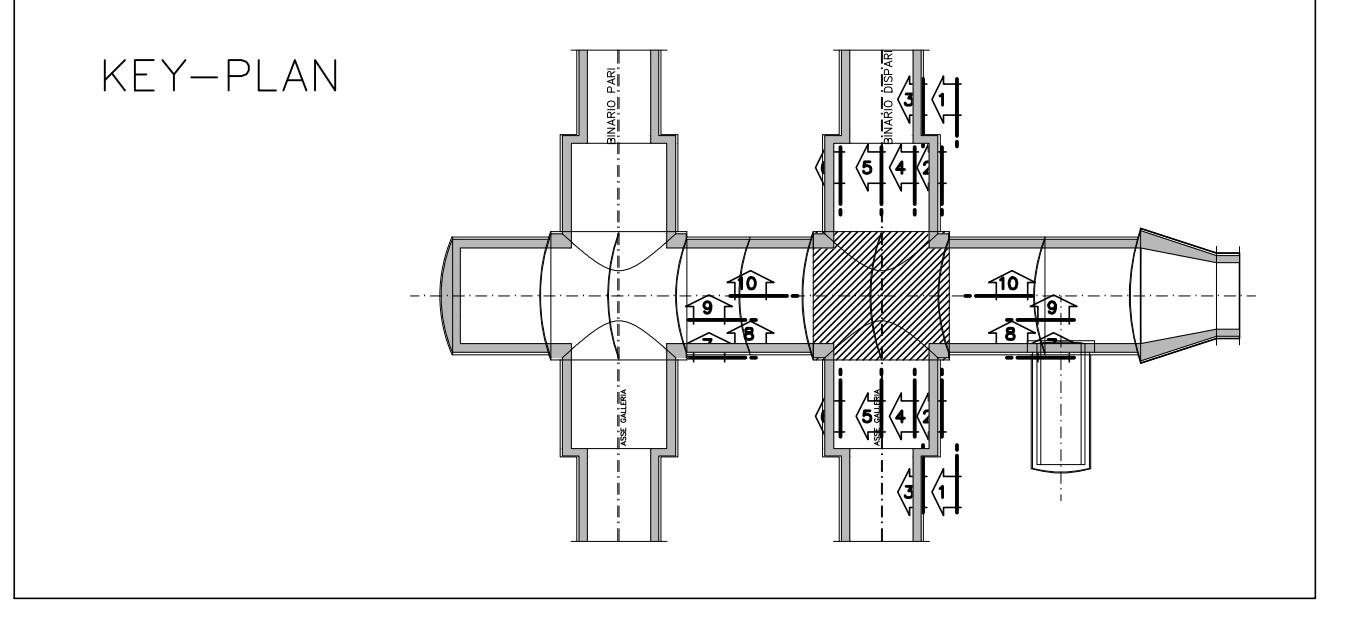


SEZIONE A-A
SCALA 1:50
PIANTA a quota muretta



PARTICOLARE "2"
SCALA 1:10
PARTICOLARE COPRIFERRO ARCO ROVESCIO

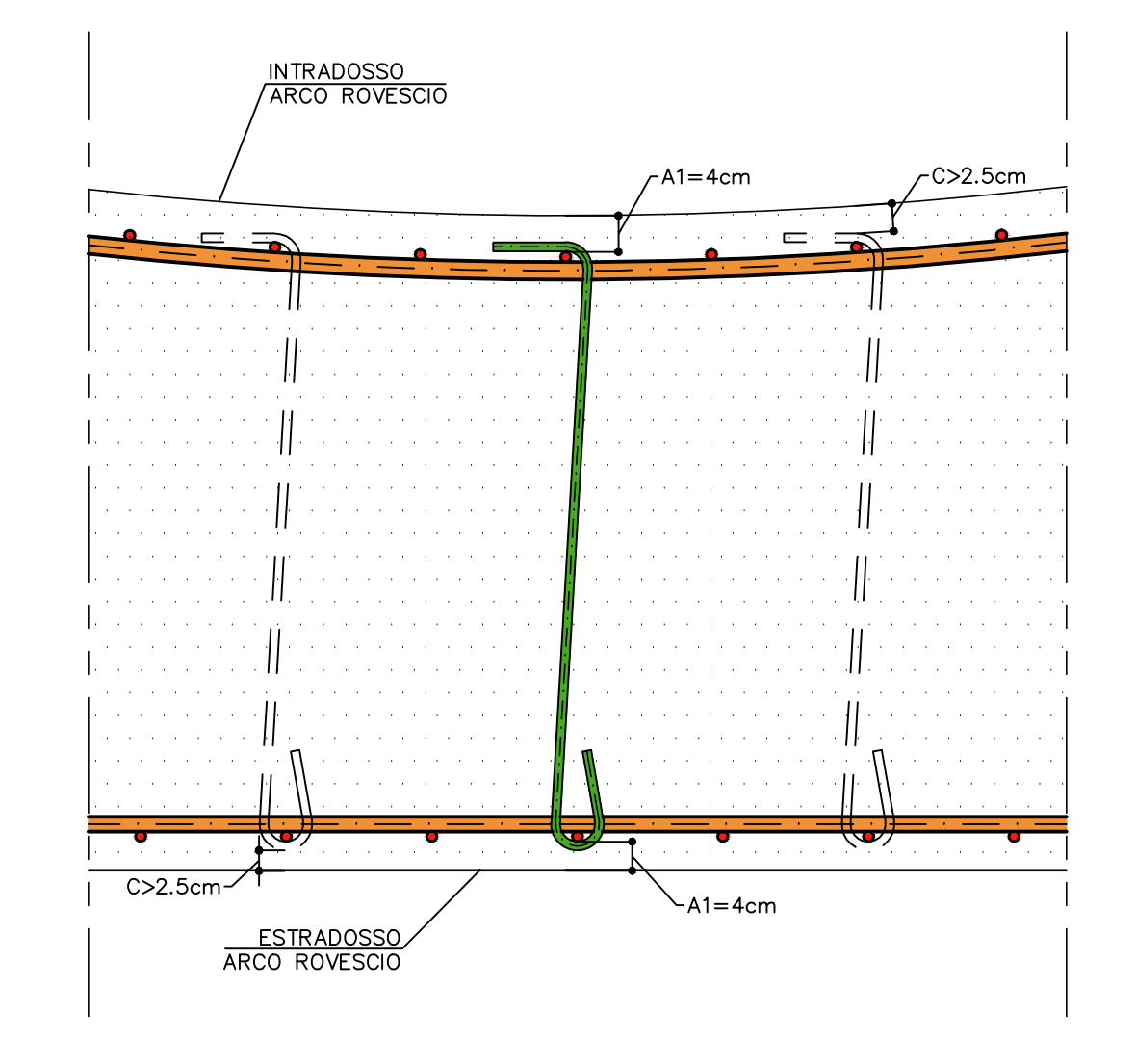
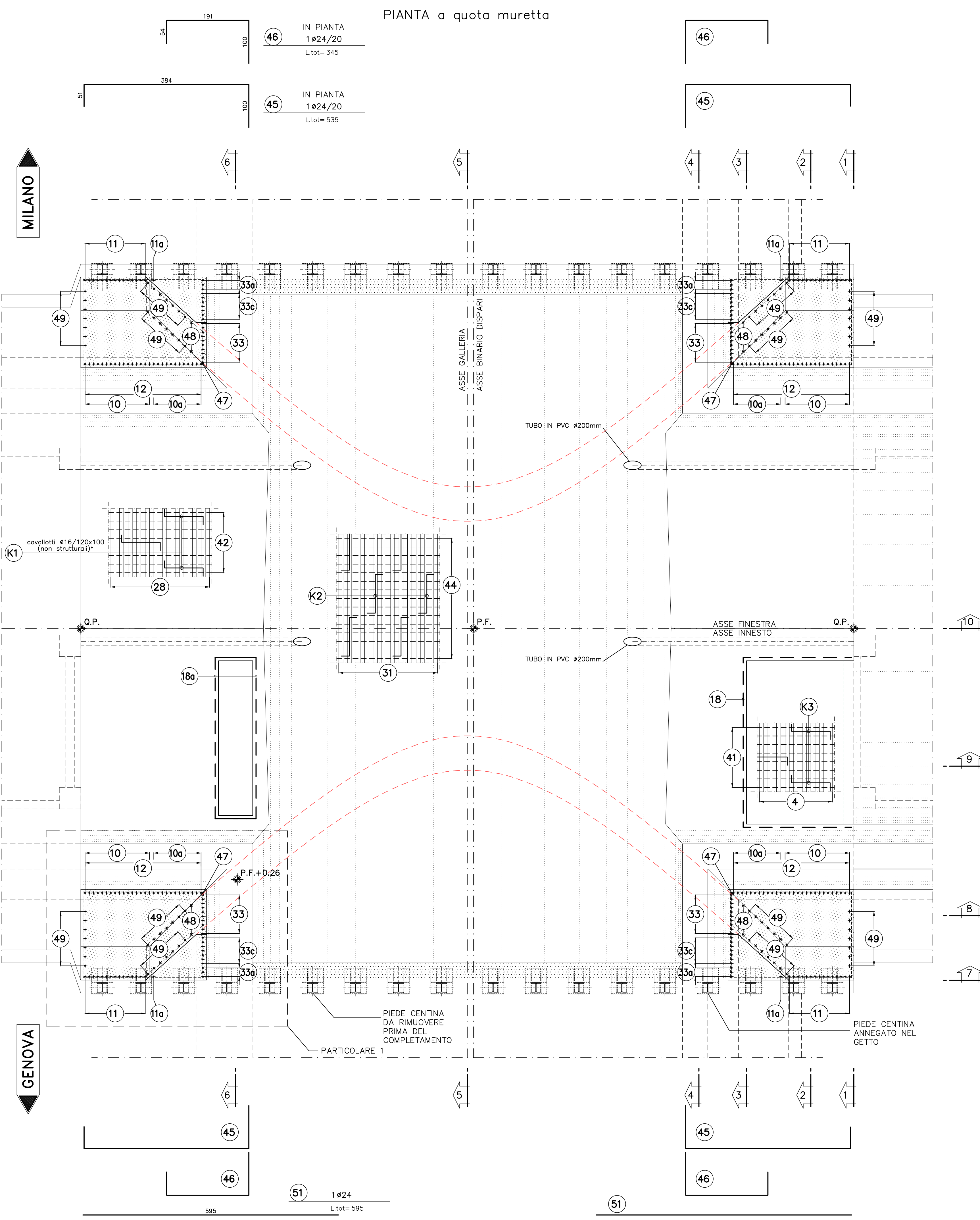
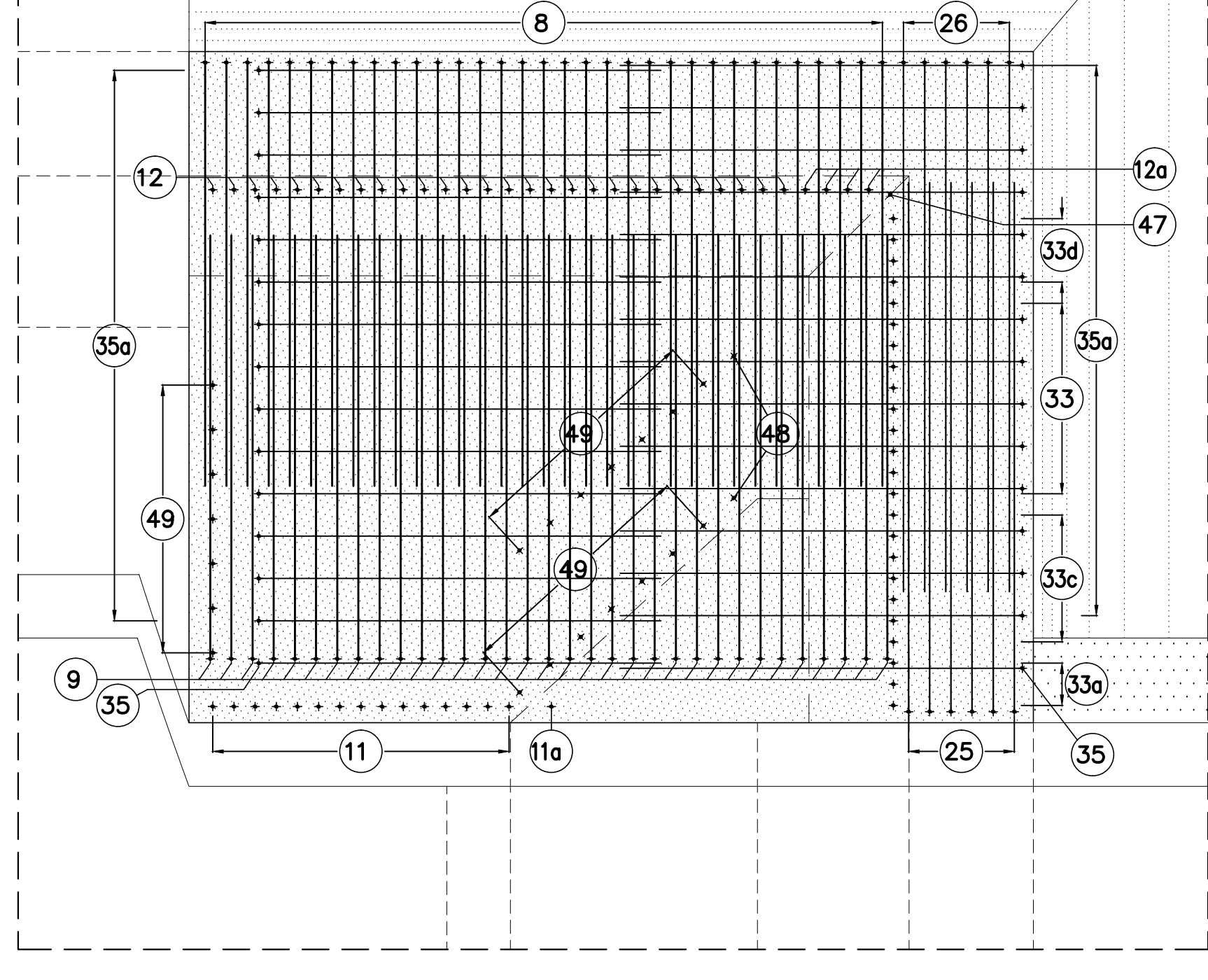


TABELLA MATERIALI

Table listing materials: ACCIAIO ARMATURE B450C, COPRIFERRO (vedi schema), and LEGENDA with symbols for P.C., Q.P., P.F., and P.I.M. A note states that stirrups are not to be considered structural.

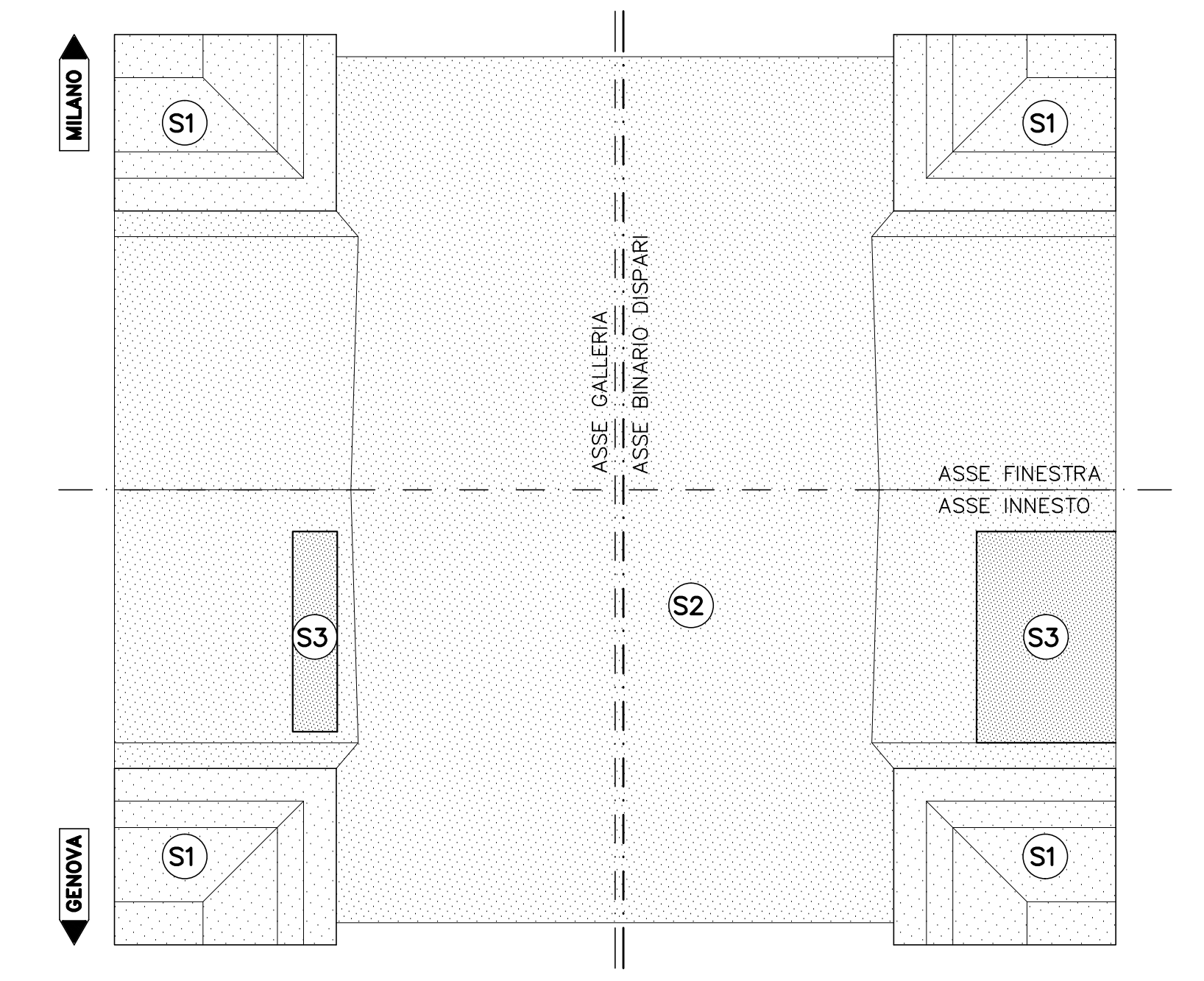


PARTICOLARE 1 - P.F.+0.26



- List of reinforcement details: CAVALLOTTI #16/120, SPILLI #14/40, #14/60, and #14/80 with dimensions and lengths.

SCHEMA SPILLI



Grid lines A-H and 1-10 are marked along the edges of the drawing.

Administrative information including: COMMITTENTE: RFI RETE FERROVIARIA ITALIANA; ALTA Sorveglianza: ITALFERR; GENERAL CONTRACTOR: CODIV; Project name: INFRASTRUTTURE FERROVIARIE STRATEGICHE... TRATTA A.V./A.C. TERZO VALICO DEI GIOVI; and a project approval table with dates and signatures.