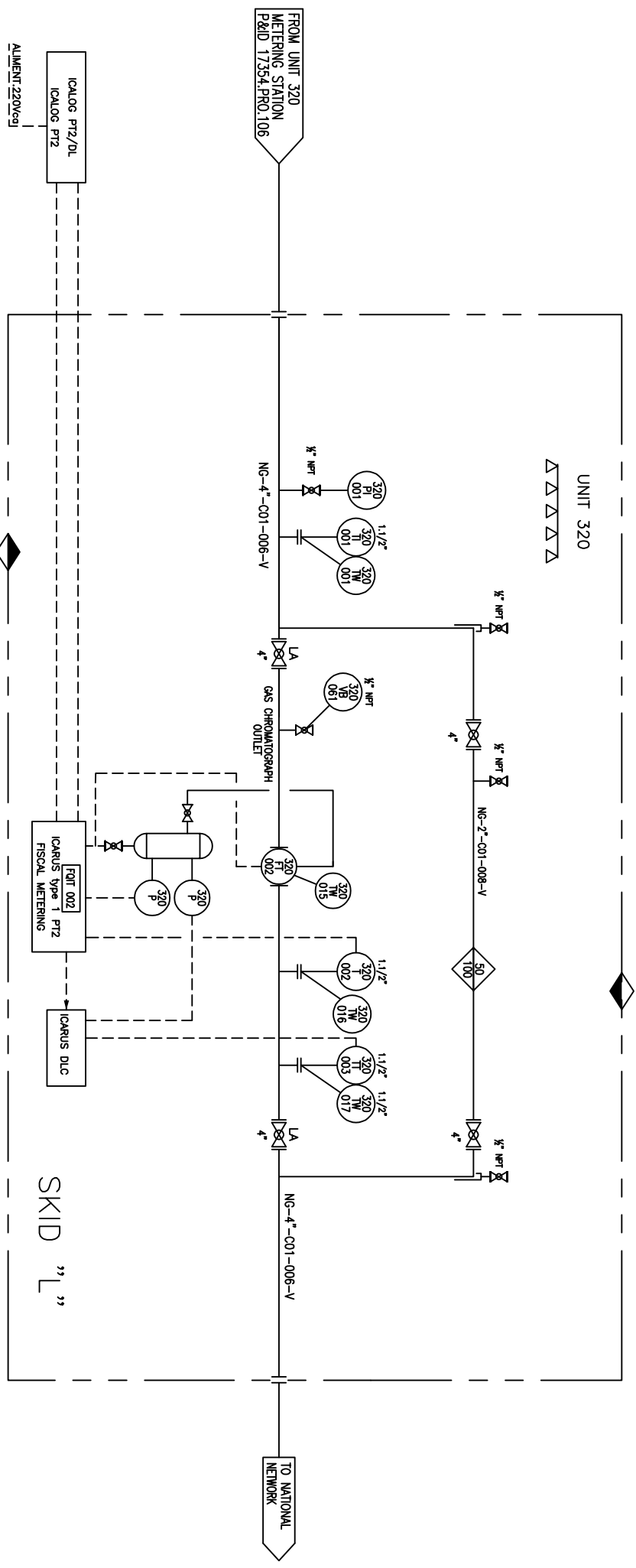


|                    |                                       |                               |    |
|--------------------|---------------------------------------|-------------------------------|----|
| 15                 | 16                                    | 17                            | 18 |
| PROVAZIONE INTERNA | ESISTE IN INTERNO / INTERIOR FINISHES | NUMERO VERSIONI / REV. NUMBER |    |
|                    |                                       |                               |    |
|                    |                                       |                               |    |



- OPERATING TEMPERATURE (C)
- RELATED PROJECT PRESSURE (bar)
- = LOCAL INSTRUMENT
- = CONNECTED INSTRUMENT to/from DCS
- V = PAINTED LINE
- C = INSULATED LINE
- CT = INSULATED LINE IN TRACK

- = LINE HEATED ELETTRICALLY
- = INSULATED HOT LINE
- = POWER LINE
- = PNEUMATIC LINE
- = HYDRAULIC LINE
- = SKID / PACKAGE WELL HEAD PLANT AREA

- PROCESS FLUIDS**
- NG NATURAL GAS
  - WN WET NITROGEN
  - DR DREIN
  - BD BLOW-DOWN
  - WG WET GAS
  - PW PROCESS WATER
  - ME METHANOL
  - DG DEHYDRATED GAS
  - TG TREATED GAS
  - RN NITROGEN

|     |          |                  |        |               |                 |                   |           |                |
|-----|----------|------------------|--------|---------------|-----------------|-------------------|-----------|----------------|
| 1   | 28.11.23 | GENERAL REVISION | TESI   | TESI          |                 |                   |           |                |
| 0   | 17.05.17 | FIRST ISSUE      | PUMA   | PUMA          |                 |                   |           |                |
| REV | DATA     | DESCRIZIONE      | INSEDI | COMP. CLIENTE | APPROV. CLIENTE | APPROV. SKID AREA | SKID AREA | REV. SKID AREA |



TRAVA 2  
P&ID - FISCAL METERING STATION  
UNIT 320

|           |                    |                     |                       |          |
|-----------|--------------------|---------------------|-----------------------|----------|
| SOLO SKID | NUMERO DEL CLIENTE | USO/USAZIONE NUMERO | DESCRIZIONE DOCUMENTO | RE / REV |
| -         | -                  | -                   | 17354.PROJ.110        | 1/1      |