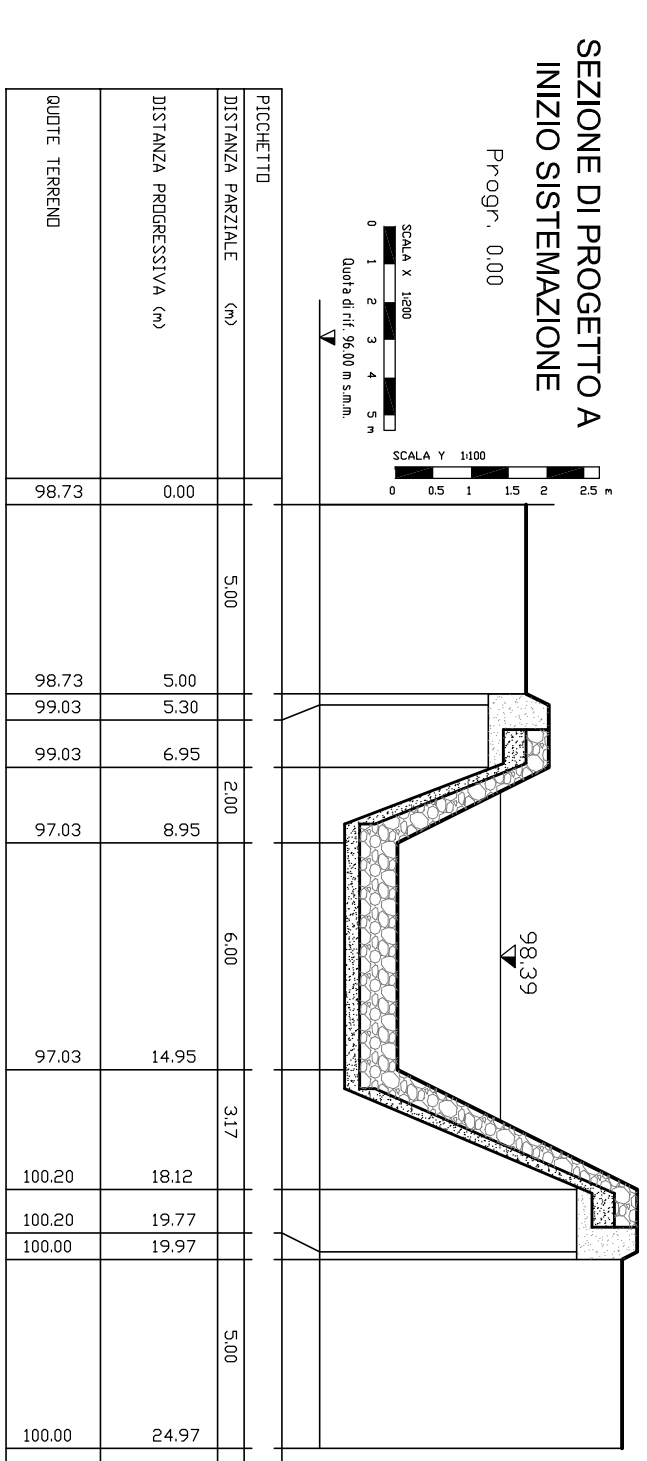
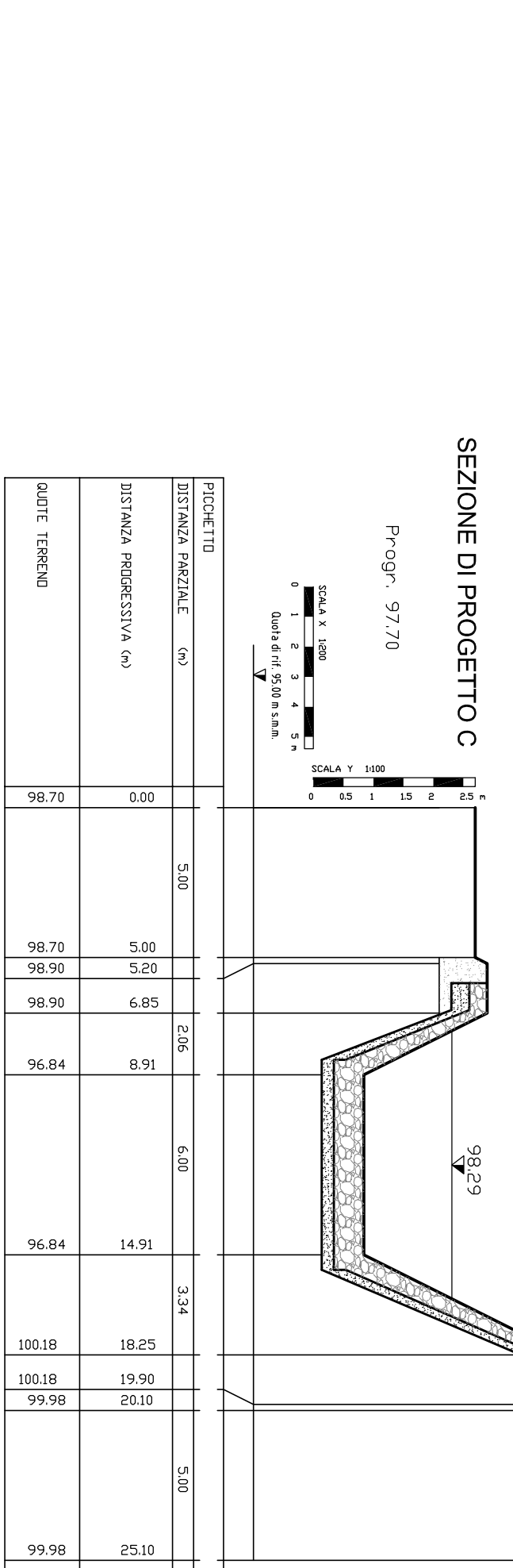


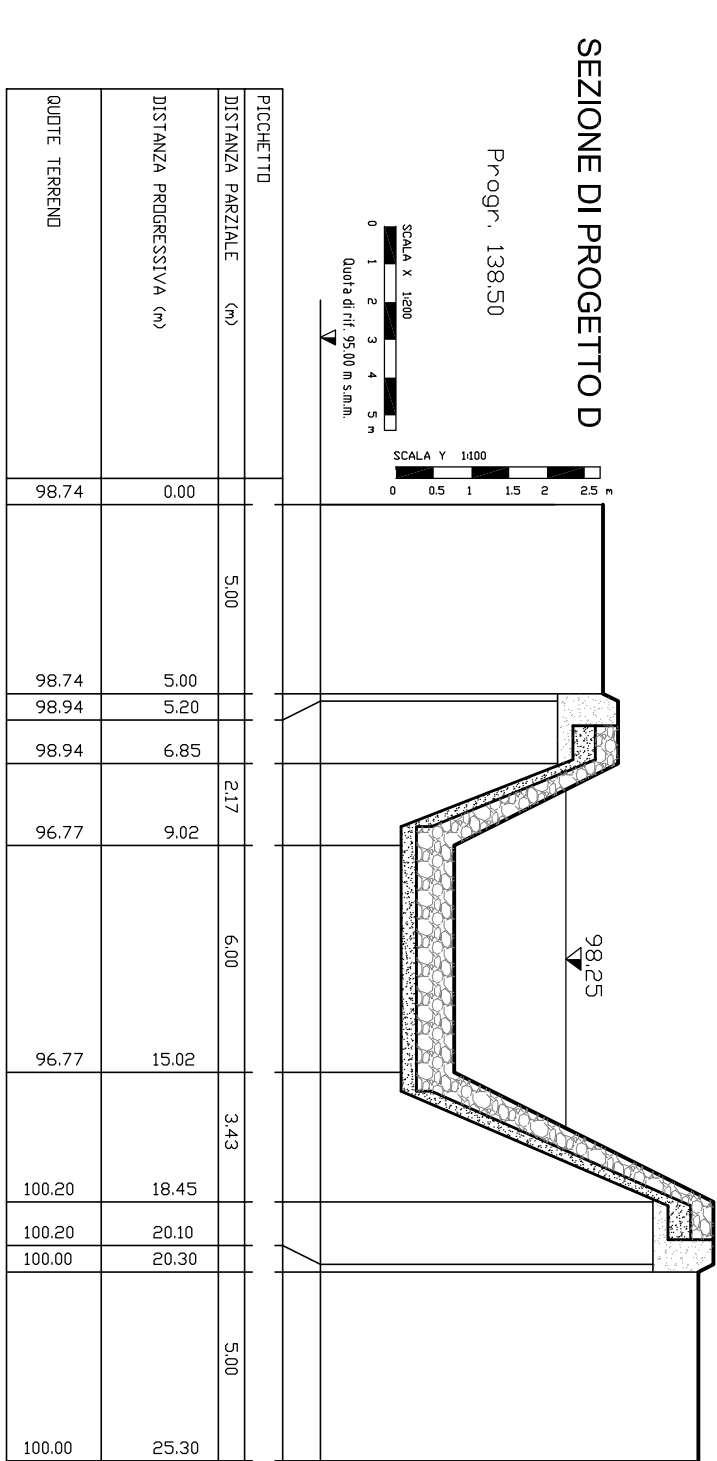
SEZIONI TRASVERSALI VASO FIUME (PK 81+476.000)



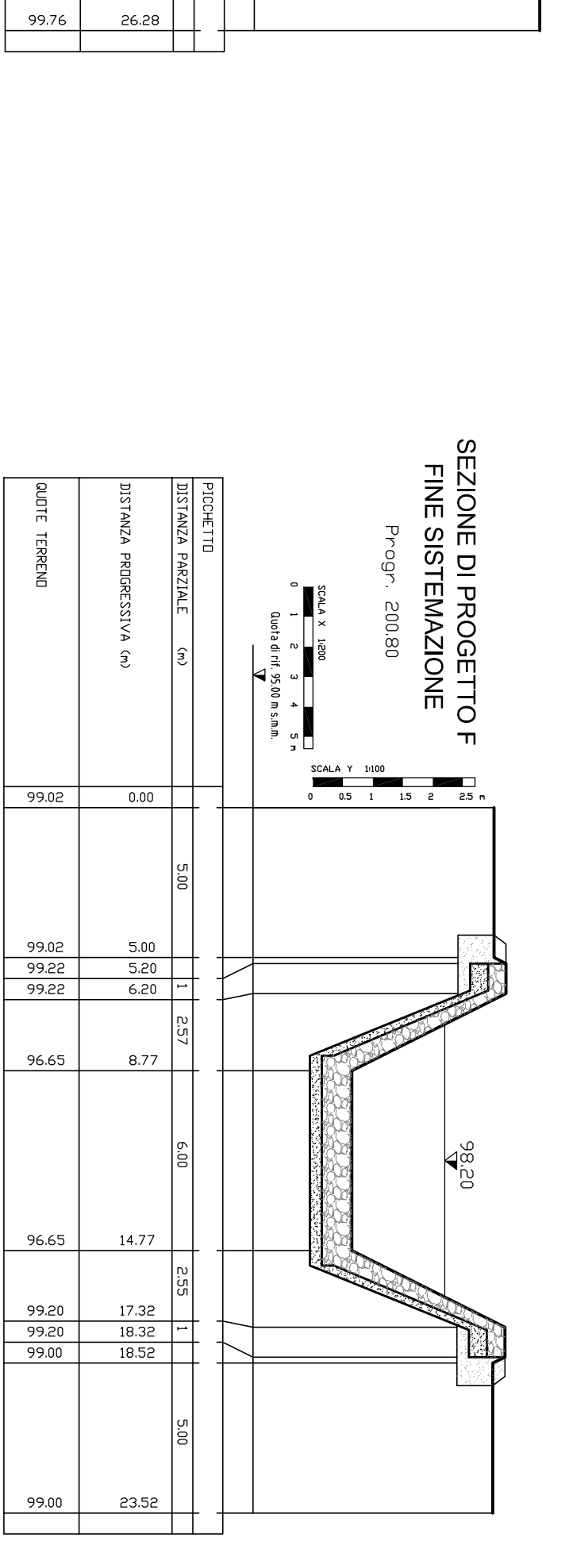
PROFILI	STACCAZIONE	NO	1	2	3	4	5	6	7	8	9	10	11	12	13	14	15	16	17	18	19	20
PROF. T.S.	98.72	98.72	98.72	98.72	98.72	98.72	98.72	98.72	98.72	98.72	98.72	98.72	98.72	98.72	98.72	98.72	98.72	98.72	98.72	98.72	98.72	98.72
STACCAZIONE	0.00	0.00	0.00	0.00	0.00	0.00	0.00	0.00	0.00	0.00	0.00	0.00	0.00	0.00	0.00	0.00	0.00	0.00	0.00	0.00	0.00	0.00
STACCAZIONE	0.00	0.00	0.00	0.00	0.00	0.00	0.00	0.00	0.00	0.00	0.00	0.00	0.00	0.00	0.00	0.00	0.00	0.00	0.00	0.00	0.00	0.00
ALTEZ. FONDO	98.72	98.72	98.72	98.72	98.72	98.72	98.72	98.72	98.72	98.72	98.72	98.72	98.72	98.72	98.72	98.72	98.72	98.72	98.72	98.72	98.72	98.72



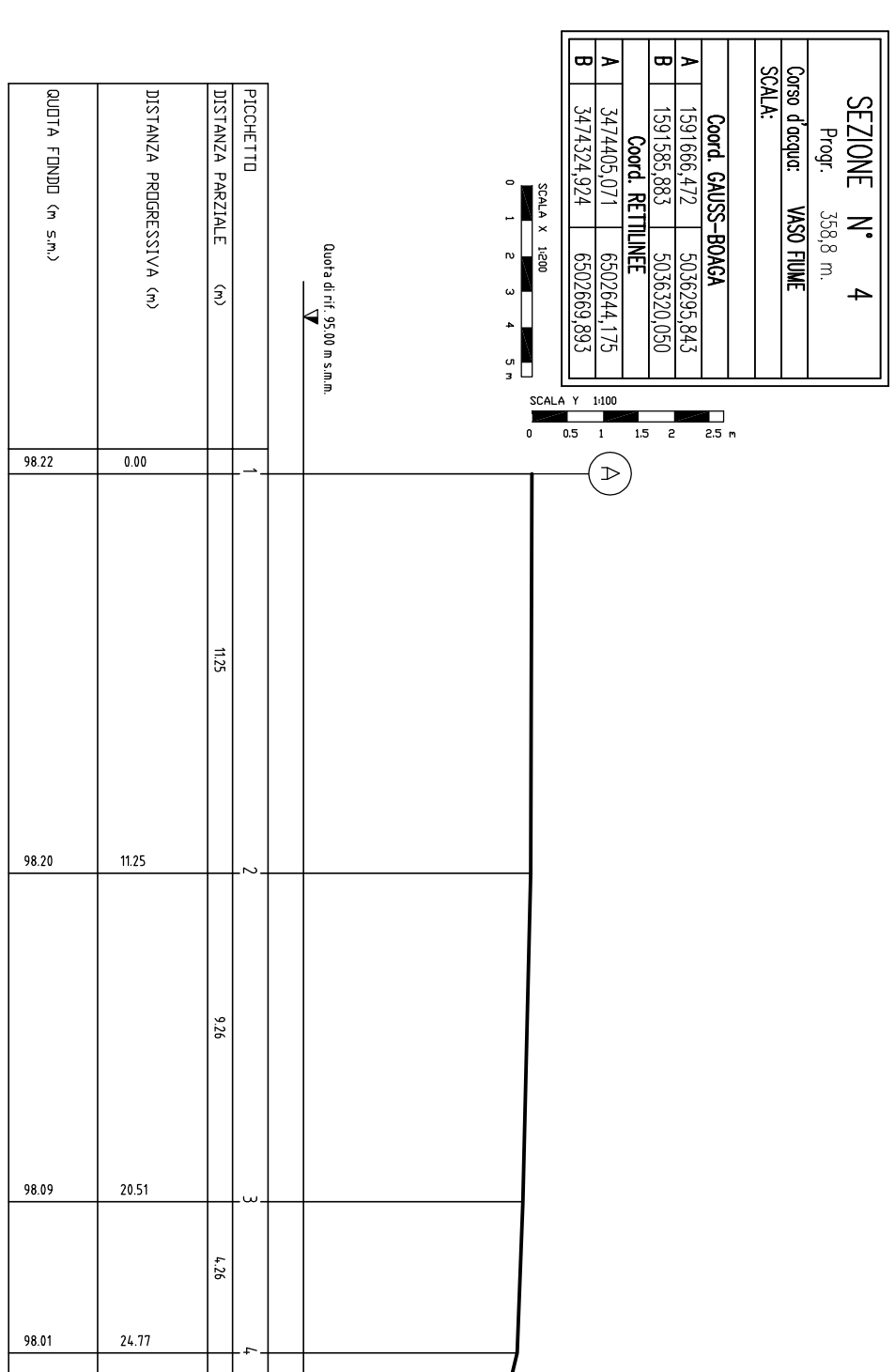
PROFILI	STACCAZIONE	NO	1	2	3	4	5	6	7	8	9	10	11	12	13	14	15	16	17	18	19	20
PROF. T.S.	98.72	98.72	98.72	98.72	98.72	98.72	98.72	98.72	98.72	98.72	98.72	98.72	98.72	98.72	98.72	98.72	98.72	98.72	98.72	98.72	98.72	98.72
STACCAZIONE	0.00	0.00	0.00	0.00	0.00	0.00	0.00	0.00	0.00	0.00	0.00	0.00	0.00	0.00	0.00	0.00	0.00	0.00	0.00	0.00	0.00	0.00
STACCAZIONE	0.00	0.00	0.00	0.00	0.00	0.00	0.00	0.00	0.00	0.00	0.00	0.00	0.00	0.00	0.00	0.00	0.00	0.00	0.00	0.00	0.00	0.00
ALTEZ. FONDO	98.72	98.72	98.72	98.72	98.72	98.72	98.72	98.72	98.72	98.72	98.72	98.72	98.72	98.72	98.72	98.72	98.72	98.72	98.72	98.72	98.72	98.72



PROFILI	STACCAZIONE	NO	1	2	3	4	5	6	7	8	9	10	11	12	13	14	15	16	17	18	19	20
PROF. T.S.	98.74	98.74	98.74	98.74	98.74	98.74	98.74	98.74	98.74	98.74	98.74	98.74	98.74	98.74	98.74	98.74	98.74	98.74	98.74	98.74	98.74	98.74
STACCAZIONE	0.00	0.00	0.00	0.00	0.00	0.00	0.00	0.00	0.00	0.00	0.00	0.00	0.00	0.00	0.00	0.00	0.00	0.00	0.00	0.00	0.00	0.00
STACCAZIONE	0.00	0.00	0.00	0.00	0.00	0.00	0.00	0.00	0.00	0.00	0.00	0.00	0.00	0.00	0.00	0.00	0.00	0.00	0.00	0.00	0.00	0.00
ALTEZ. FONDO	98.74	98.74	98.74	98.74	98.74	98.74	98.74	98.74	98.74	98.74	98.74	98.74	98.74	98.74	98.74	98.74	98.74	98.74	98.74	98.74	98.74	98.74



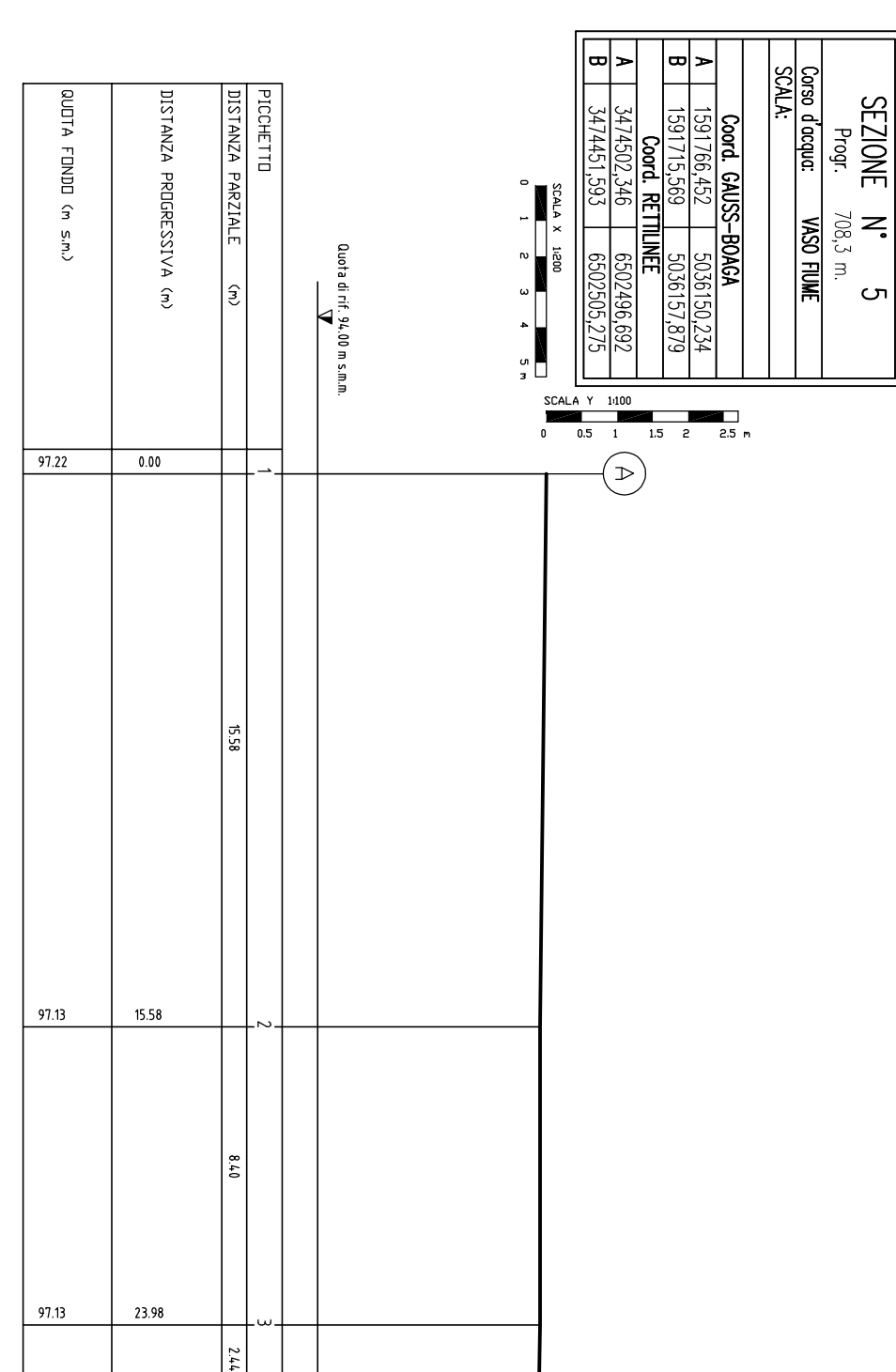
PROFILI	STACCAZIONE	NO	1	2	3	4	5	6	7	8	9	10	11	12	13	14	15	16	17	18	19	20
PROF. T.S.	98.74	98.74	98.74	98.74	98.74	98.74	98.74	98.74	98.74	98.74	98.74	98.74	98.74	98.74	98.74	98.74	98.74	98.74	98.74	98.74	98.74	98.74
STACCAZIONE	0.00	0.00	0.00	0.00	0.00	0.00	0.00	0.00	0.00	0.00	0.00	0.00	0.00	0.00	0.00	0.00	0.00	0.00	0.00	0.00	0.00	0.00
STACCAZIONE	0.00	0.00	0.00	0.00	0.00	0.00	0.00	0.00	0.00	0.00	0.00	0.00	0.00	0.00	0.00	0.00	0.00	0.00	0.00	0.00	0.00	0.00
ALTEZ. FONDO	98.74	98.74	98.74	98.74	98.74	98.74	98.74	98.74	98.74	98.74	98.74	98.74	98.74	98.74	98.74	98.74	98.74	98.74	98.74	98.74	98.74	98.74



PROFILI	STACCAZIONE	NO	1	2	3	4	5	6	7	8	9	10	11	12	13	14	15	16	17	18	19	20
PROF. T.S.	98.75	98.75	98.75	98.75	98.75	98.75	98.75	98.75	98.75	98.75	98.75	98.75	98.75	98.75	98.75	98.75	98.75	98.75	98.75	98.75	98.75	98.75
STACCAZIONE	0.00	0.00	0.00	0.00	0.00	0.00	0.00	0.00	0.00	0.00	0.00	0.00	0.00	0.00	0.00	0.00	0.00	0.00	0.00	0.00	0.00	0.00
STACCAZIONE	0.00	0.00	0.00	0.00	0.00	0.00	0.00	0.00	0.00	0.00	0.00	0.00	0.00	0.00	0.00	0.00	0.00	0.00	0.00	0.00	0.00	0.00
ALTEZ. FONDO	98.75	98.75	98.75	98.75	98.75	98.75	98.75	98.75	98.75	98.75	98.75	98.75	98.75	98.75	98.75	98.75	98.75	98.75	98.75	98.75	98.75	98.75



PROFILI	STACCAZIONE	NO	1	2	3	4	5	6	7	8	9	10	11	12	13	14	15	16	17	18	19	20
PROF. T.S.	98.75	98.75	98.75	98.75	98.75	98.75	98.75	98.75	98.75	98.75	98.75	98.75	98.75	98.75	98.75	98.75	98.75	98.75	98.75	98.75	98.75	98.75
STACCAZIONE	0.00	0.00	0.00	0.00	0.00	0.00	0.00	0.00	0.00	0.00	0.00	0.00	0.00	0.00	0.00	0.00	0.00	0.00	0.00	0.00	0.00	0.00
STACCAZIONE	0.00	0.00	0.00	0.00	0.00	0.00	0.00	0.00	0.00	0.00	0.00	0.00	0.00	0.00	0.00	0.00	0.00	0.00	0.00	0.00	0.00	0.00
ALTEZ. FONDO	98.75	98.75	98.75	98.75	98.75	98.75	98.75	98.75	98.75	98.75	98.75	98.75	98.75	98.75	98.75	98.75	98.75	98.75	98.75	98.75	98.75	98.75



PROFILI	STACCAZIONE	NO	1	2	3	4	5	6	7	8	9	10	11	12	13	14	15	16	17	18	19	20
PROF. T.S.	98.74	98.74	98.74	98.74	98.74	98.74	98.74	98.74	98.74	98.74	98.74	98.74	98.74	98.74	98.74	98.74	98.74	98.74	98.74	98.74	98.74	98.74
STACCAZIONE	0.00	0.00	0.00	0.00	0.00	0.00	0.00	0.00	0.00	0.00	0.00	0.00	0.00	0.00	0.00	0.00	0.00	0.00	0.00	0.00	0.00	0.00
STACCAZIONE	0.00	0.00	0.00	0.00	0.00	0.00	0.00	0.00	0.00	0.00	0.00	0.00	0.00	0.00	0.00	0.00	0.00	0.00	0.00	0.00	0.00	0.00
ALTEZ. FONDO	98.74	98.74	98.74	98.74	98.74	98.74	98.74	98.74	98.74	98.74	98.74	98.74	98.74	98.74	98.74	98.74	98.74	98.74	98.74	98.74	98.74	98.74



PROFILI	STACCAZIONE	NO	1	2	3	4	5	6	7	8	9	10	11	12	13	14	15	16	17	18	19	20
PROF. T.S.	98.74	98.74	98.74	98.74	98.74	98.74	98.74	98.74	98.74	98.74	98.74	98.74	98.74	98.74	98.74	98.74	98.74	98.74	98.74	98.74	98.74	98.74
STACCAZIONE	0.00	0.00	0.00	0.00	0.00	0.00	0.00	0.00	0.00	0.00	0.00	0.00	0.00	0.00	0.00	0.00	0.00	0.00	0.00	0.00	0.00	0.00
STACCAZIONE	0.00	0.00	0.00	0.00	0.00	0.00	0.00	0.00	0.00	0.00	0.00	0.00	0.00	0.00	0.00	0.00	0.00	0.00	0.00	0.00	0.00	0.00
ALTEZ. FONDO	98.74	98.74	98.74	98.74	98.74	98.74	98.74	98.74	98.74	98.74	98.74	98.74	98.74	98.74	98.74	98.74	98.74	98.74	98.74	98.74	98.74	98.74

DISEGNI DI RIFERIMENTO

DESCRIZIONE	CODICE
-DELIZIONE ENDOGICA	-M05 00 122 M0 00 02 01 001
-DELIZIONE ENDOGICA CONE STACCAZIONE	-M05 00 122 M0 00 02 02 003
-DELIZIONE ENDOGICA CONE STACCAZIONE CON PK 81+400 A PK 100+000	-M05 00 122 M0 00 02 02 014
-DELIZIONE ENDOGICA CONE STACCAZIONE CON PK 100+000 A PK 150+000	-M05 00 122 M0 00 02 02 039
-VASO FIUME - PAKI+450 - FIANCOSTA E PROFILATO STAZIONE	-M05 00 122 M0 00 02 02 013
-VASO FIUME - PAKI+450 - FIANCOSTA E PROFILATO STAZIONE	-M05 00 122 L2 00 02 02 094
-FIANCOSTA SRT 00A DI INGA 100/68 SA M81+450/970 A M81+450/970	-M05 00 122 P1 00 02 02 048

NOTE GENERALI

- Comune: (ESSE) (BESCONA)
- Concorso di bandita: (ESSE) (BESCONA)
- Pendenza: 1/200 metri - 0 = 11.50 m/s
- Pendenza: 1/500 metri - 0 = 12.50 m/s
- I livelli finali indicati sulla tavola sono riferiti alla quota 0 (0 = 200 metri). Per i livelli corrispondenti alle altre quote si veda la relazione idraulica.

CARATTERISTICHE DEI MATERIALI

- Le sezioni trasversali Scala 1:200 sono effettuate solo dalla Marzo 2004
- NEI CASI IN CUI IL LIVELLO ENDOGICO ATTUALE CONCORDA CON IL LIVELLO ENDOGICO DI PROGETTO SI IMPERNA IN SEZIONE UN UNICO

COMITTEE

ATA S.P.A. SPONSORING

ATA S.P.A. SPONSORING

GENERAL CONTRACTOR

Caprav due

RFL GRUPPO RIFORMA STRADA ITALIANA

ITALFERRA

INFRASTRUTTURE FERROVIARIE STRATEGICHE DEFINITE DALLA LEGGE OBBLIGATIVO N. 443/01

LINEA A.V. /A.C. TORINO - VENEZIA

Lato funzionale Brescia-Verona

PROGETTO DEFINITIVO

VASO FIUME PK 81+476.000 SISTEM