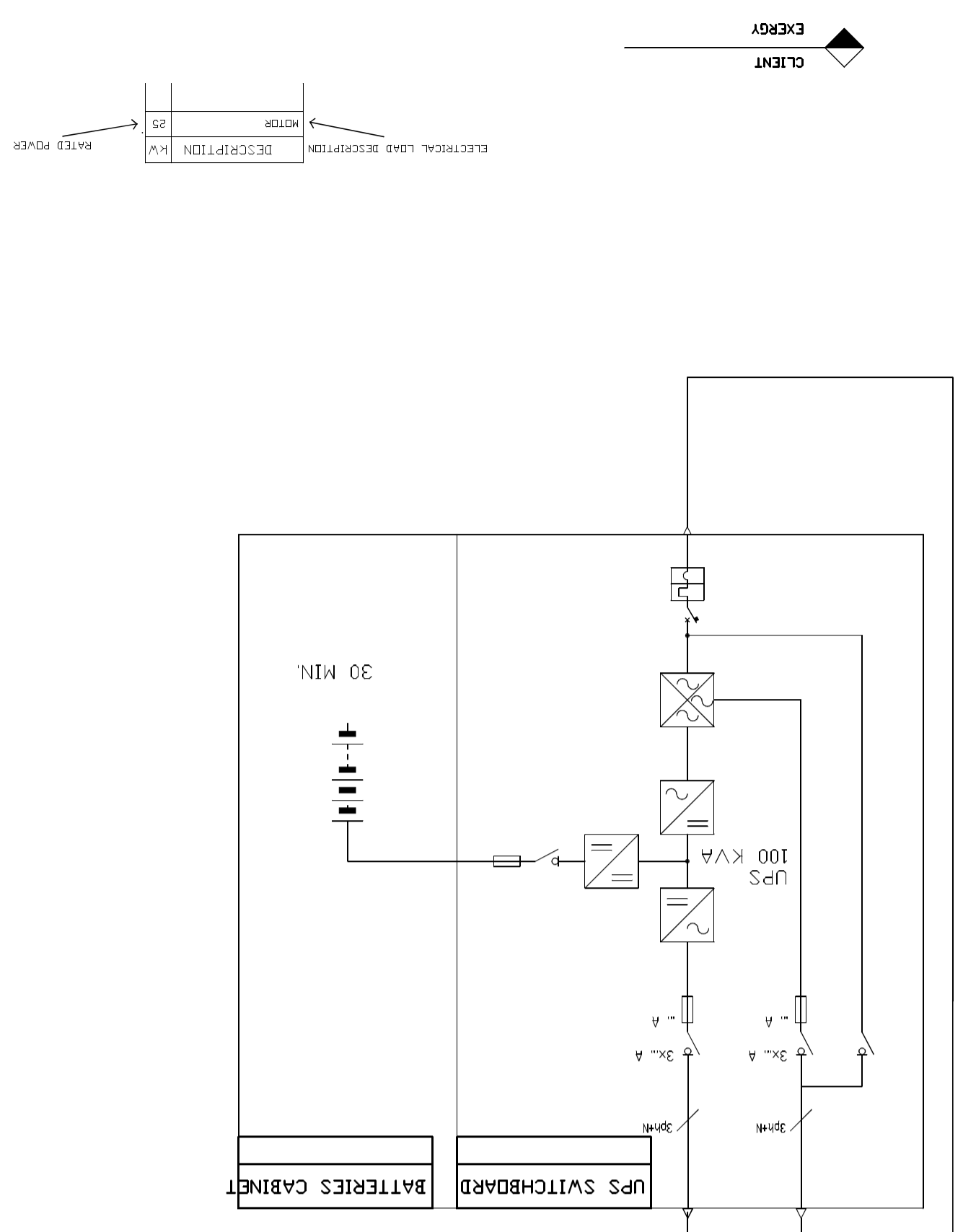
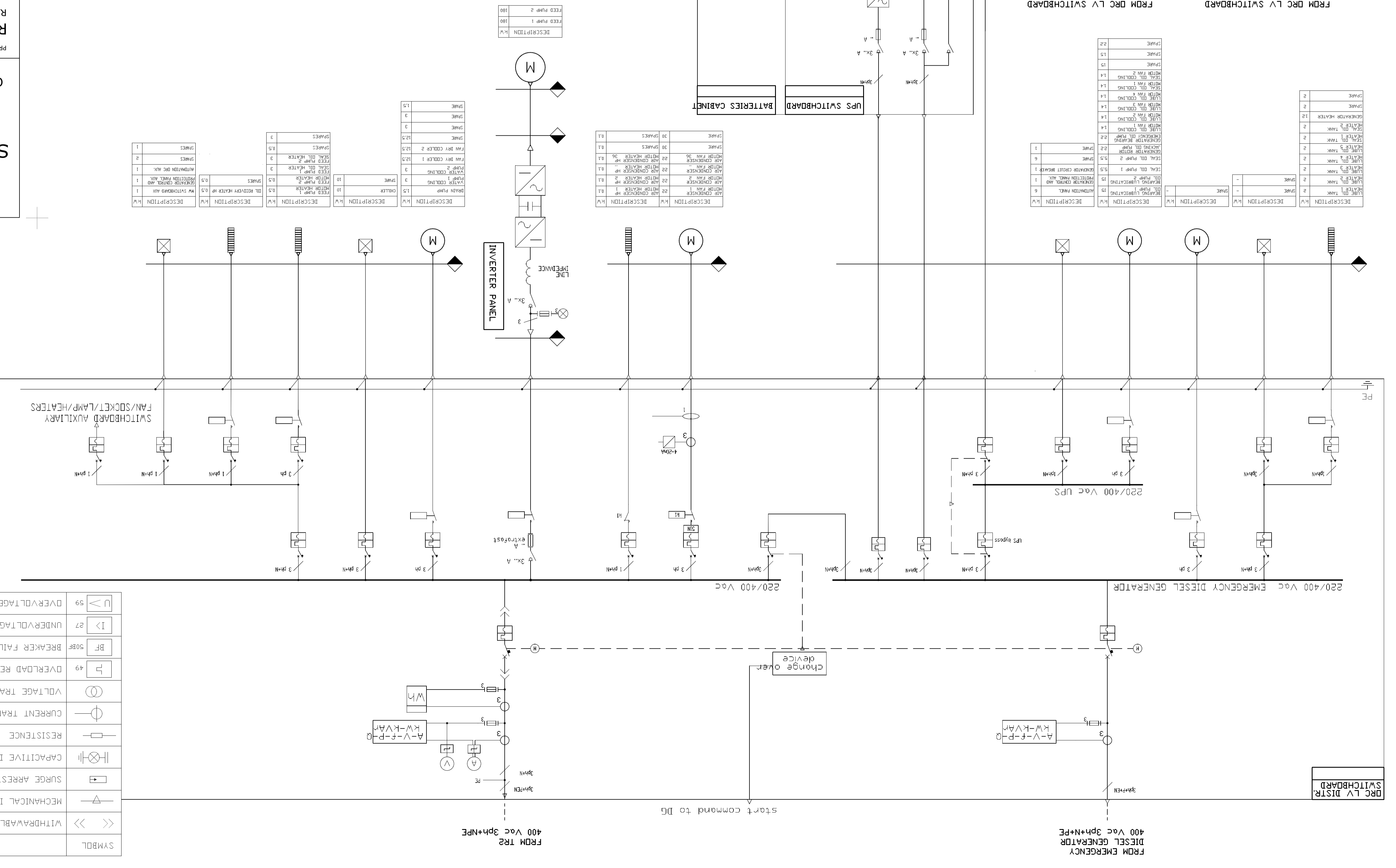


DESCRIPTION	kw	DESCRIPTION	kw
UPS BUSBAR	0.05	UPS BUSBAR	0.05
FROM DRC LV SWITCHBOARD	0.05	FROM DRC LV SWITCHBOARD	0.05
220 VAc 1ph+N	0.05	220 VAc 1ph+N	0.05
UPS BUSBAR	0.05	UPS BUSBAR	0.05
FROM DRC LV SWITCHBOARD	0.05	FROM DRC LV SWITCHBOARD	0.05
220 VAc 1ph+N	0.05	220 VAc 1ph+N	0.05
UPS BUSBAR	0.05	UPS BUSBAR	0.05
FROM DRC LV SWITCHBOARD	0.05	FROM DRC LV SWITCHBOARD	0.05
220 VAc 1ph+N	0.05	220 VAc 1ph+N	0.05
UPS BUSBAR	0.05	UPS BUSBAR	0.05
FROM DRC LV SWITCHBOARD	0.05	FROM DRC LV SWITCHBOARD	0.05
220 VAc 1ph+N	0.05	220 VAc 1ph+N	0.05
UPS BUSBAR	0.05	UPS BUSBAR	0.05
FROM DRC LV SWITCHBOARD	0.05	FROM DRC LV SWITCHBOARD	0.05
220 VAc 1ph+N	0.05	220 VAc 1ph+N	0.05



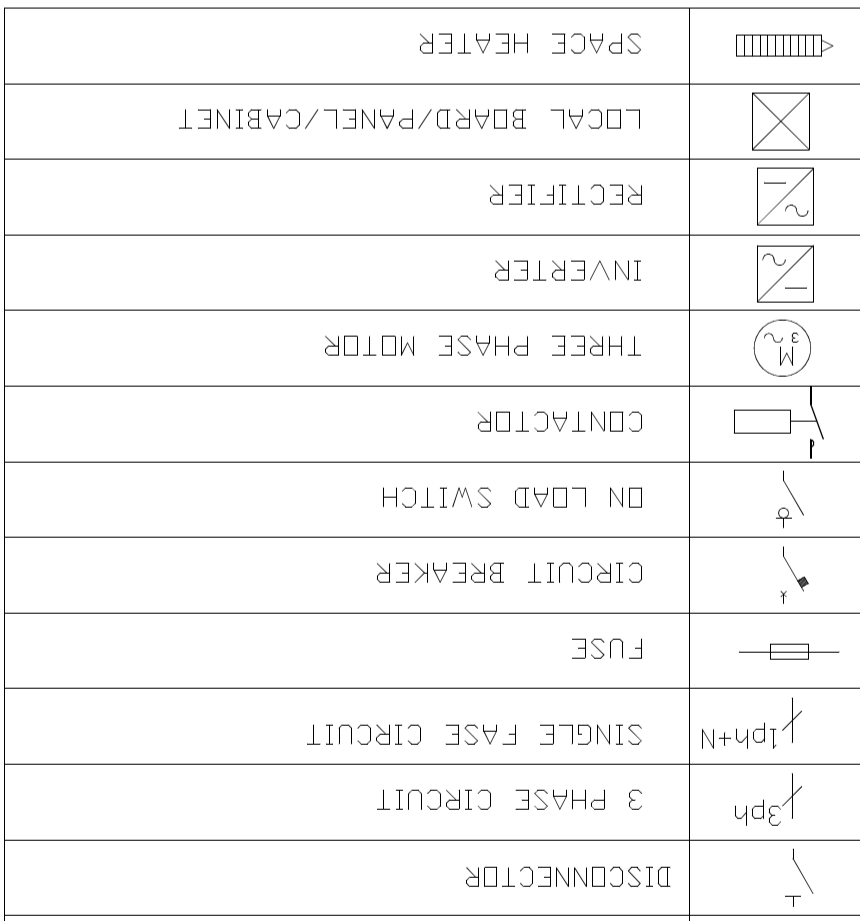
DESCRIPTION	kw	DESCRIPTION	kw
UPS SWITCHBOARD	0.05	UPS SWITCHBOARD	0.05
BATTERIES CABINET	0.05	BATTERIES CABINET	0.05
UPS SWITCHBOARD	0.05	UPS SWITCHBOARD	0.05
BATTERIES CABINET	0.05	BATTERIES CABINET	0.05
UPS SWITCHBOARD	0.05	UPS SWITCHBOARD	0.05
BATTERIES CABINET	0.05	BATTERIES CABINET	0.05

CLIENT SUBMITTAL	FOR APPROVAL	FOR INFORMATION	NOT REQUESTED
A1	PE348	018SLD.GEX.WFF.710.EU.EN	0
FORMATO	SCALA	COMMESSA	REV.
TAV/PLATE. NO.	0	2 of 2	
ORGANIC RANKINE CYCLE (ORC)			
PRELIMINARY SINGLE LINE DIAGRAM			
TITLO/TITLE:			
BASIC ENGINEERING DESIGN FOR BINARY POWER PLANT		PROJECT/PROJECT	
PE438 Geothermal Binary Power Plant		CLIENT/CLIENT	
REV.		DATA/DATE	
0		01.07.2015	
PRELIMINARY		DESCRIZIONE/DESCRIPTION	
CP		ESQUIT/IV	
DM		CONTR.OMA. BIPROD/APPND	
LX			



DESCRIPTION	kw	DESCRIPTION	kw
FEED PIPE 1	180	FEED PIPE 1	180
FEED PIPE 2	180	FEED PIPE 2	180
FEED PIPE 3	180	FEED PIPE 3	180
FEED PIPE 4	180	FEED PIPE 4	180
FEED PIPE 5	180	FEED PIPE 5	180
FEED PIPE 6	180	FEED PIPE 6	180
FEED PIPE 7	180	FEED PIPE 7	180
FEED PIPE 8	180	FEED PIPE 8	180
FEED PIPE 9	180	FEED PIPE 9	180
FEED PIPE 10	180	FEED PIPE 10	180

SYMBOL	DESCRIPTION	SYMBOL	DESCRIPTION
12	INVERSE CURRENT	10	GEN. DIFFERENTIAL PROTECTION RELAY
32	MECHANICAL INTERLOCK	9	REVERSE POWER RELAY
40	SURGE ARRESTER	8	LOSS OF EXCITATION RELAY
64	CAPACITIVE DIVIDER	7	STATOR FAULT PROTECTION
50/51	RESISTANCE	6	OVERCURRENT RELAY
21	CURRENT TRANSFORMER	5	UNDERIMPEDENCE RELAY
25A	VOLTAGE TRANSFORMER	4	AUTOMATIC SYNCHRONIZER
49	DEVLAD RELAY	3	UNDER / DVER FREQUENCY RELAY
50BF	BREAKER FAILURE RELAY	2	OVERFLUX RELAY
27	UNDERVOLTAGE RELAY	1	SHORT CIRCUIT AND OVERCURRENT PROT.
59	OVERVOLTAGE RELAY		



PERMESSO DI RICERCA DI RISORSE GEOTERMICHE FINALIZZATO ALLA SPERIMENTAZIONE DI UN IMPIANTO PILOTA CONVENZIONALMENTE DENOMINATO "CORTOLLA" COMUNE DI MONTECATINI VAL DI CECINA - PROVINCIA DI PISA

R.T.I.
Raggruppamento Temporaneo di Imprese

PROGETTO DEFINITIVO

NUMERO ELABORATO: **CRT-RP01-A02-T02-V00**
TITOLO: **SCHEMA UNIFILARE 2-2**

FORMATO: A1
SCALA: DATA: **Giugno 2015**

PRONOME:
RENEWEM S.r.l.
Via Norvegia n° 68 - 56021 Cascina (PI)
TEL. 050 6205317 - FAX: 050 0987814
email: technical@renewem.com
PEC: renewem@pec.renewem.com

PROGETTAZIONE:
EXERGY S.p.a.
Via Santa Rita, 14
21057 Olgiate Olona (VA), Italy

QUESTO DOCUMENTO È DI PROPRIETÀ DELLA SOCIETÀ RENEWEM S.r.l. - OGNI RIPRODUZIONE DEVE ESSERE ESPRESSAMENTE AUTORIZZATA