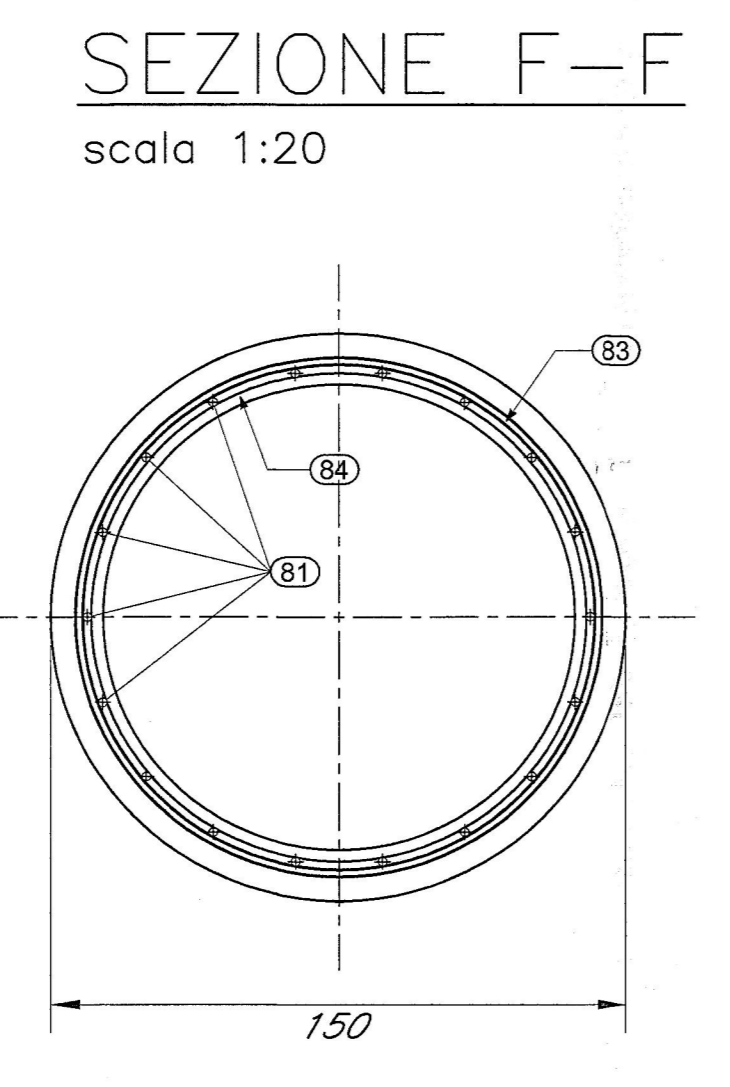
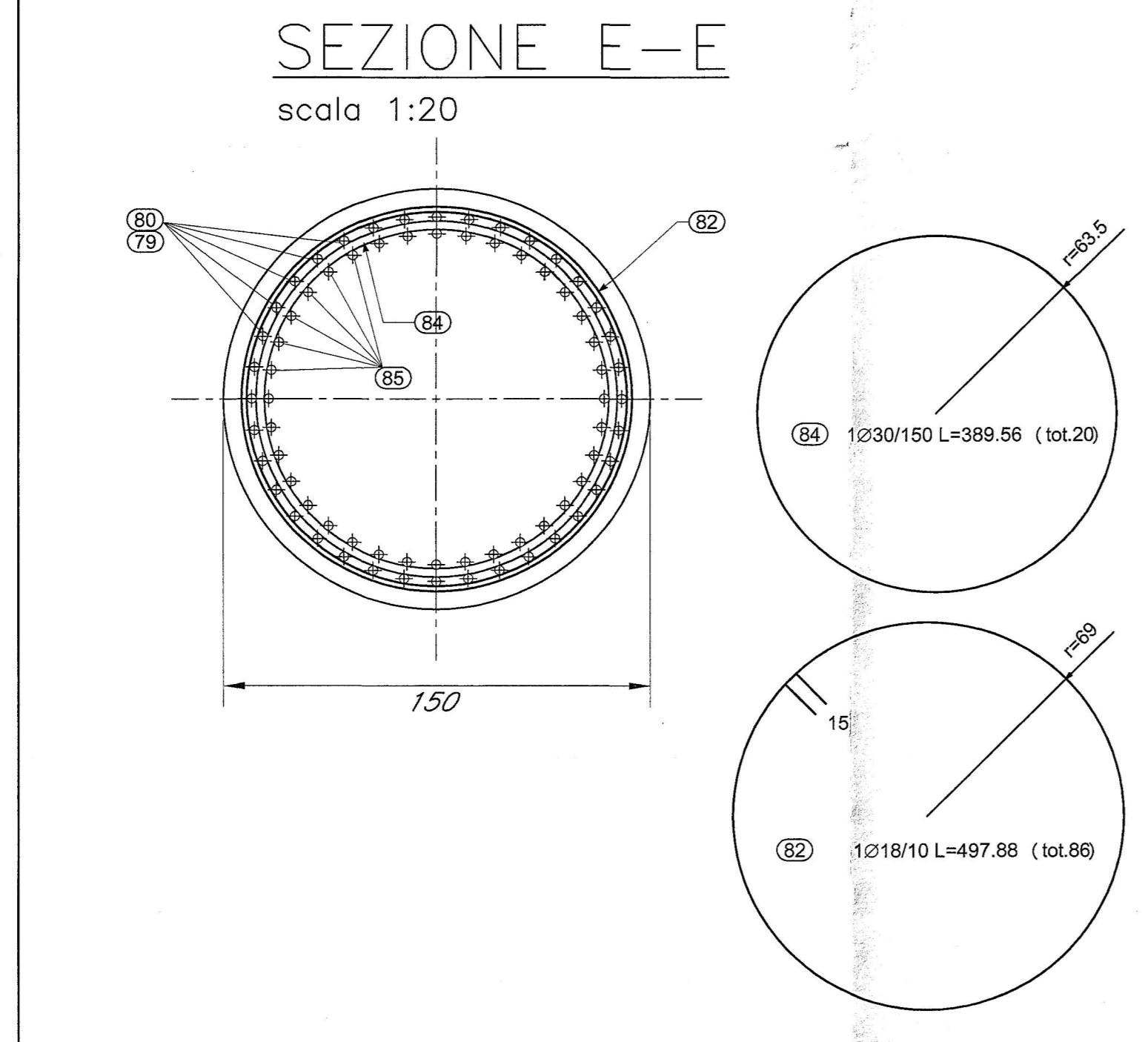
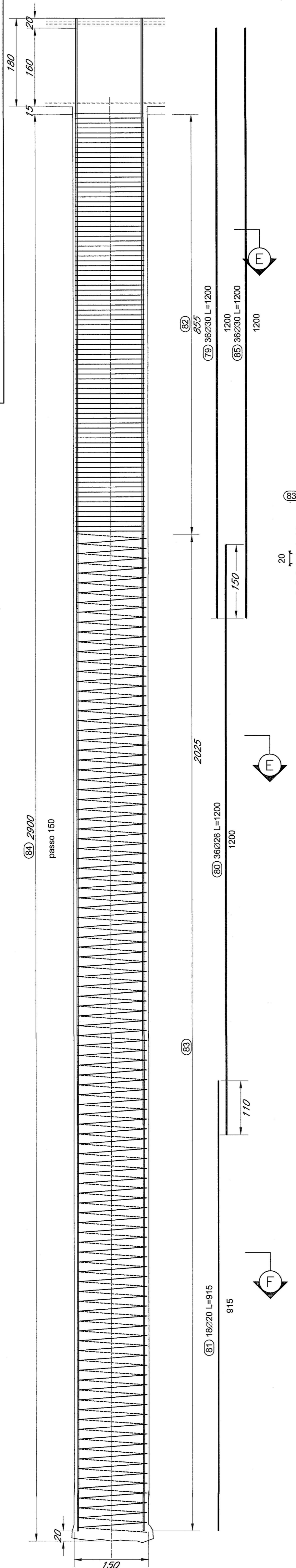


ELEMENTO: elevazione						N.ELEMENTI: 1
POSIZIONE	N. PEZZI	Ø [mm]	L [cm]	L. TOT [m]	PESO [kg]	SCHEMA PIEGATURA (misure al filo esterno)
6	27	26	1048.1	283.0	1179.5	
7	57	26	896.7	511.1	2130.3	
8	36	26	1061.7	382.2	1593.1	
9	36	26	1122.4	404.1	1684.1	
10	57	26	897.0	511.3	2131.1	
11	27	26	1047.2	282.7	1178.5	
18	10	20	1001.9	100.2	247.1	
19	19	28	815.6	165.0	645.9	
20	20	24	800.2	160.0	568.3	
21	11	20	869.2	95.6	235.6	
22	8	16	999.5	80.0	126.2	
23	15	24	1000.5	160.1	532.9	
24	70	26	710.0	497.0	2071.5	
25	47	26	537.0	262.4	1052.0	
26	47	20	496.1	233.2	574.9	
27	77	16	420.1	323.5	510.5	
28	47	16	388.6	182.6	288.2	
29	47	16	189.5	89.1	140.6	
30	70	26	625.0	437.5	1823.4	
31	108	26	625.0	675.0	2813.3	
32	74	20	560.7	414.9	1023.1	
33	130	20	560.7	728.8	1797.3	
34	68	16	344.3	234.1	369.5	
35	68	16	304.5	207.0	326.7	
37	42	16	774.1	325.1	513.1	
38	11	16	1020.0	112.2	177.1	
41	46	20	742.0	341.3	841.7	
43	40	20	1000.0	400.0	986.4	
47	21	20	1002.1	210.4	519.0	
73	24	20	1042.4	250.2	616.9	
74	50	20	740.0	370.0	912.4	
75	19	26	820.0	155.8	649.4	
76	10	20	999.6	100.0	246.5	
77	20	24	800.2	160.0	568.3	
78	11	20	869.2	95.6	235.6	
PESO TOTALE:					31310.4	x 1 elemento = 31310.4 kg



Armatura palo Ø1500 l=29.00m
scala 1:50



ELEMENTO: palo						N.ELEMENTI: 1
POSIZIONE	N. PEZZI	Ø [mm]	L [cm]	L. TOT [m]	PESO [kg]	SCHEMA PIEGATURA (misure al filo esterno)
79	36	30	1200.0	432.0	23	