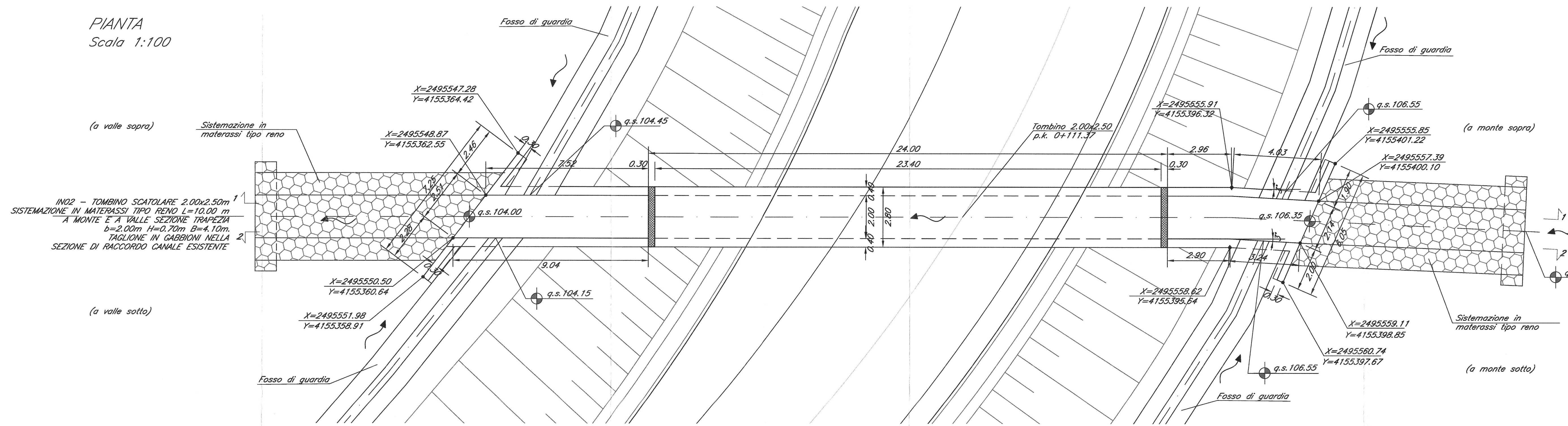
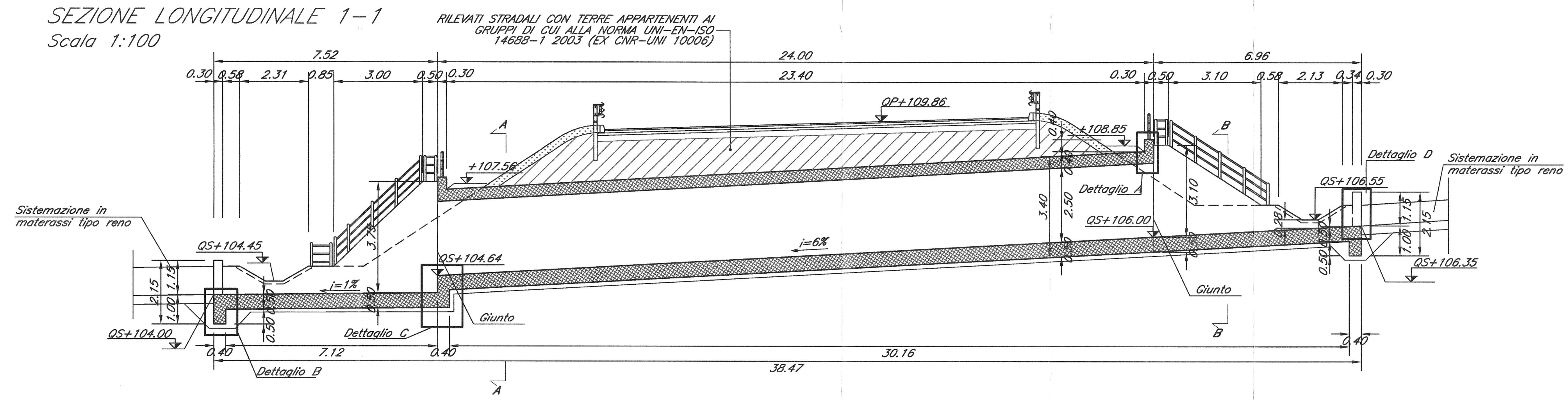


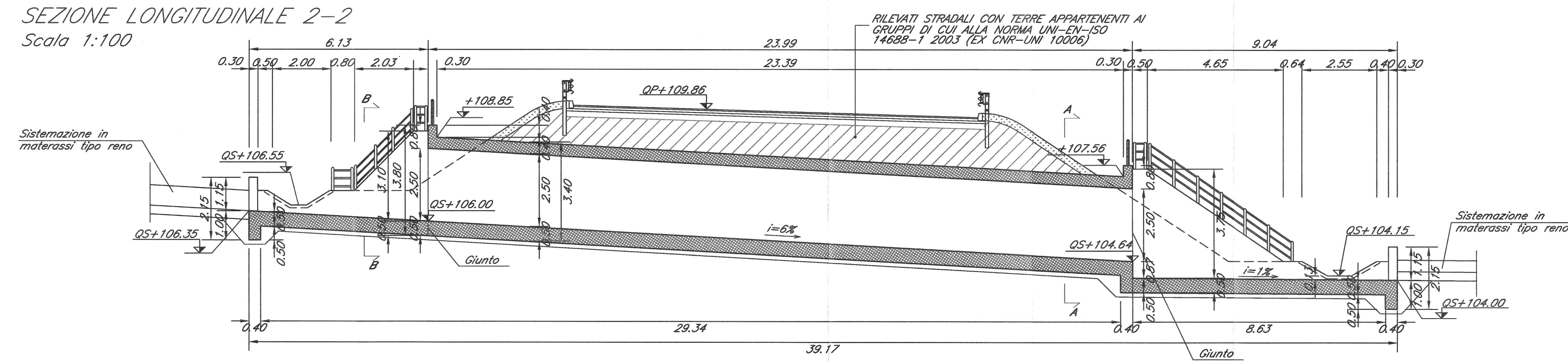
PIANTA
Scala 1:100



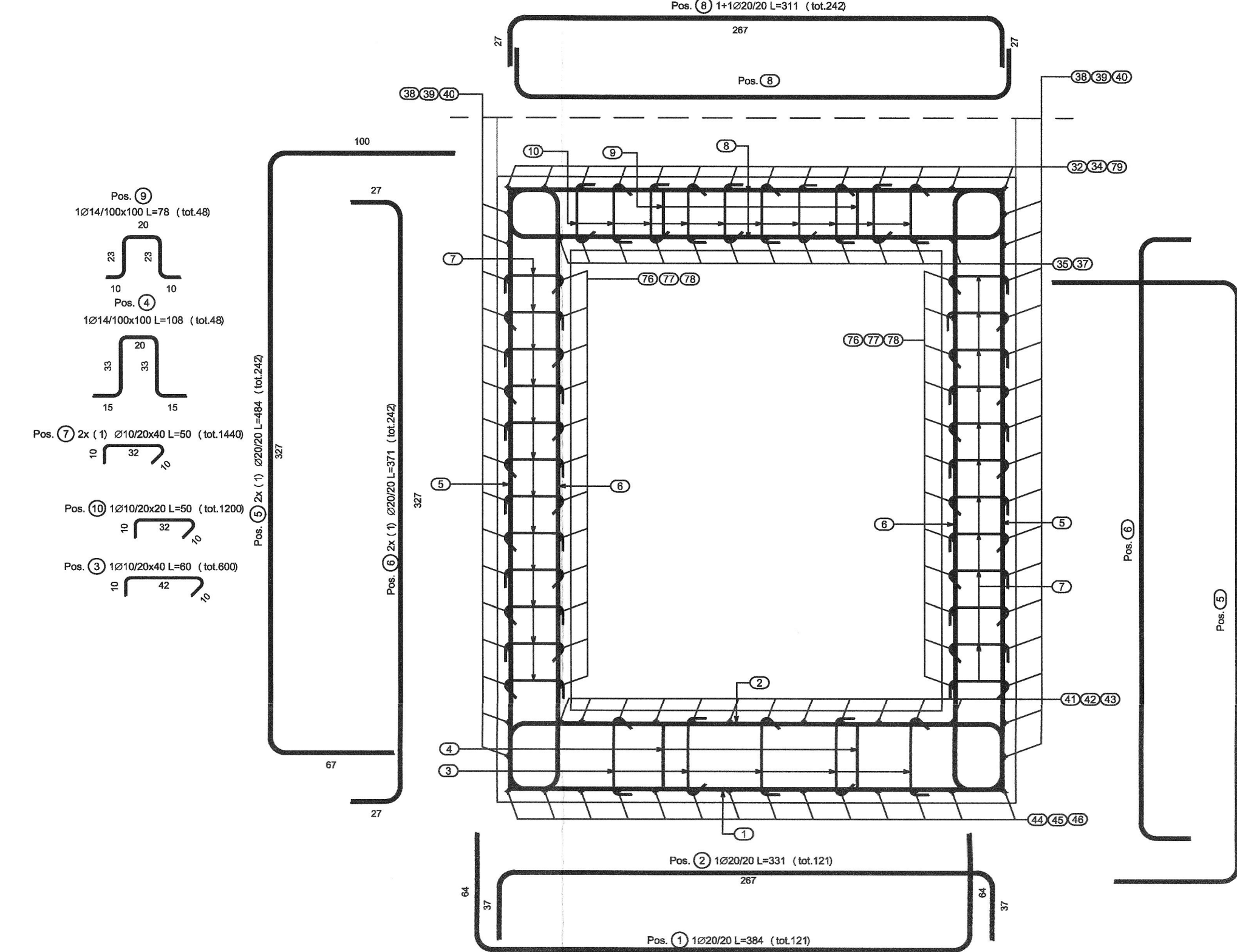
SEZIONE LONGITUDINALE 1-1
Scala 1:100



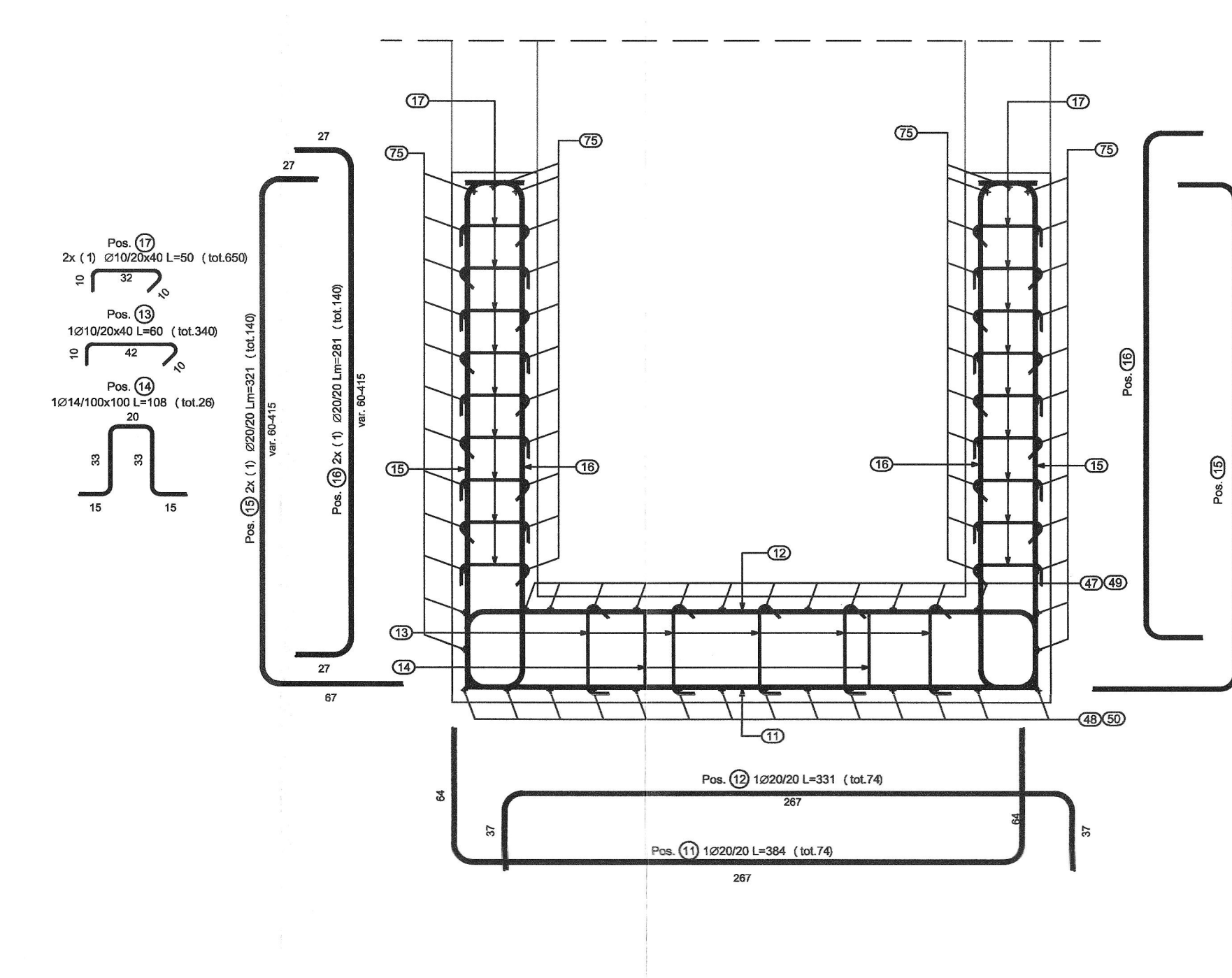
SEZIONE LONGITUDINALE 2-2
Scala 1:100



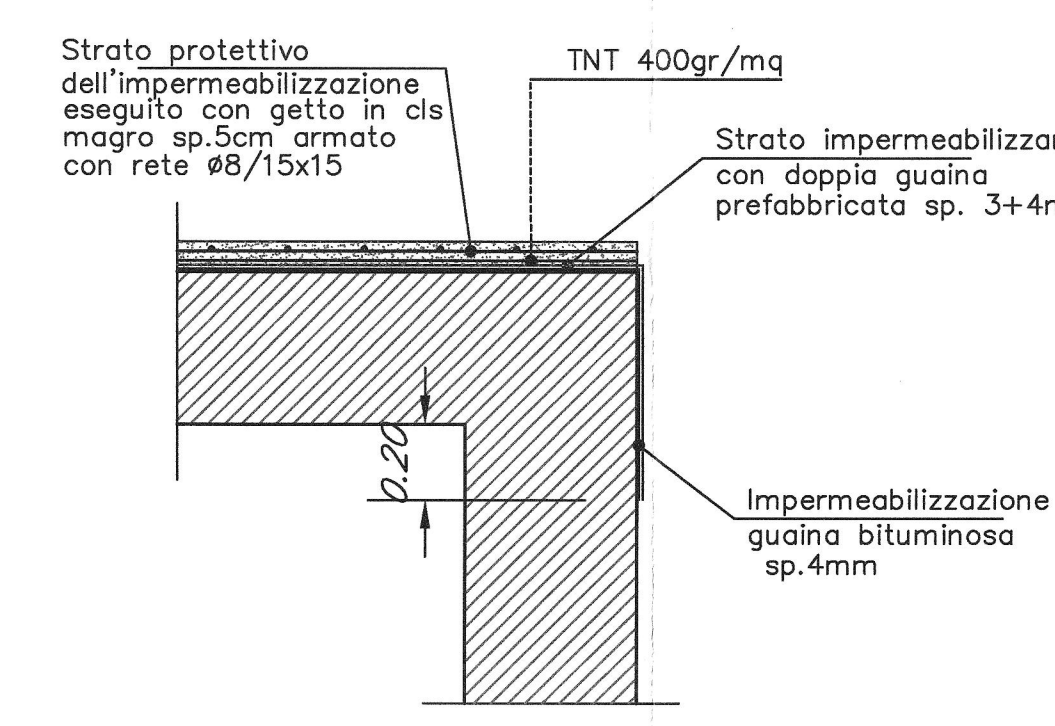
SEZIONE A-A ARMATURA
Scala 1:20



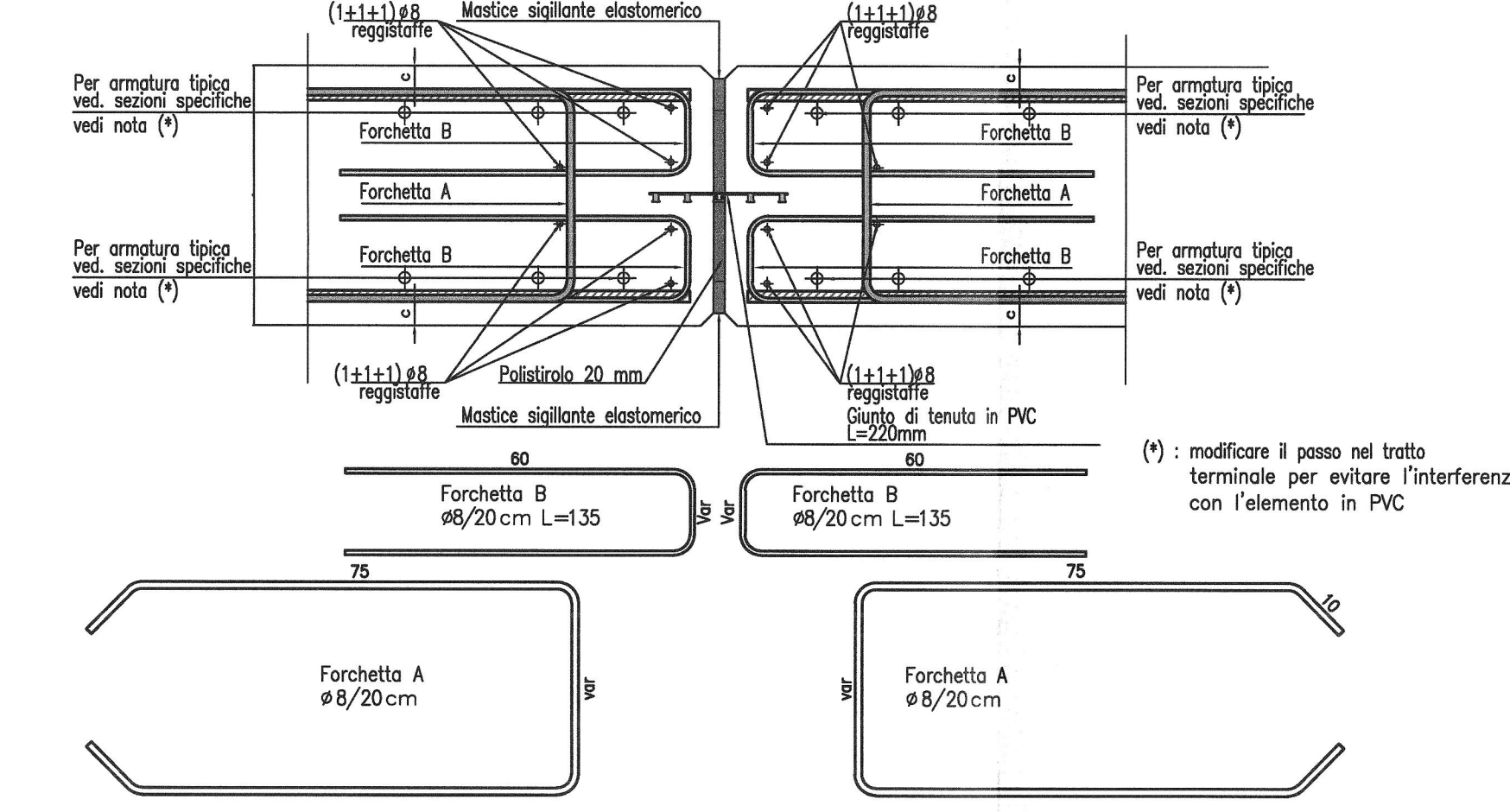
SEZIONE B-B ARMATURA
Scala 1:20



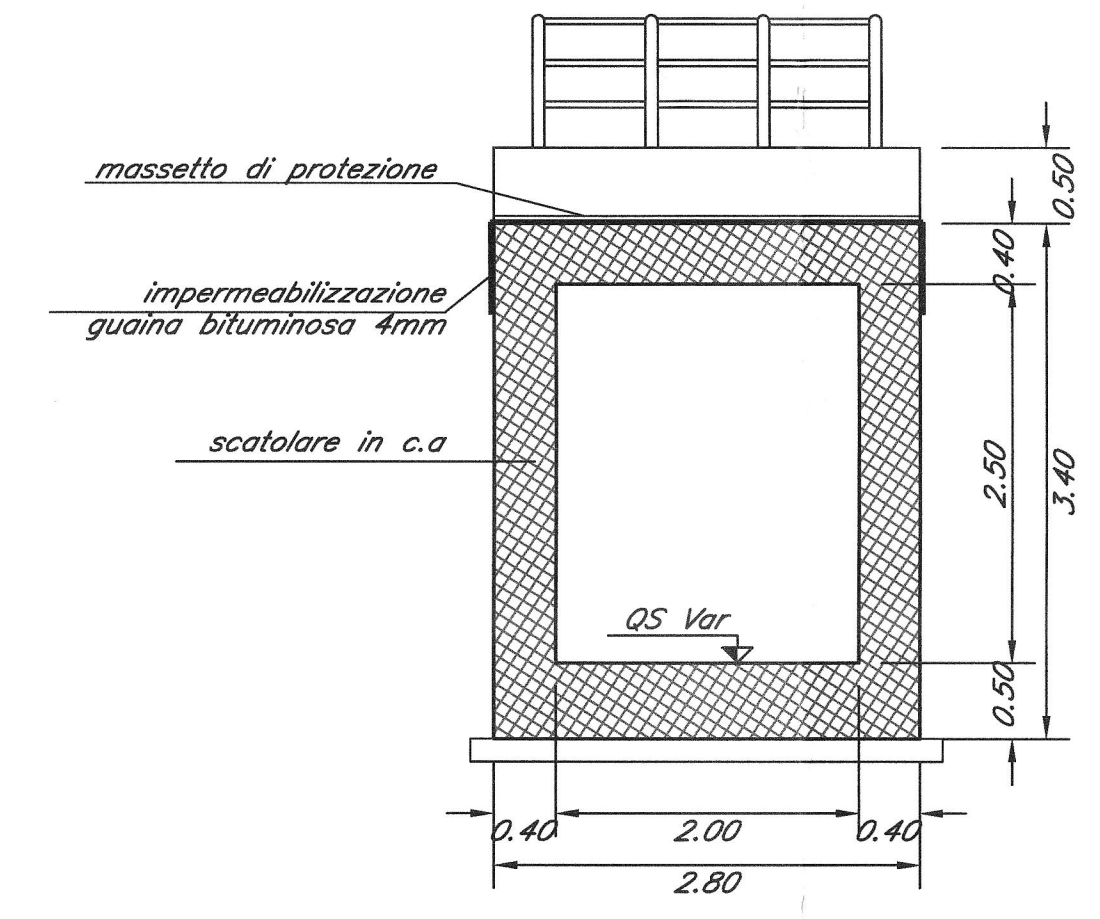
DETTAGLIO IMPERMEABILIZZAZIONE
ESTRADOSSO SCATOLARE
Scala 1:20



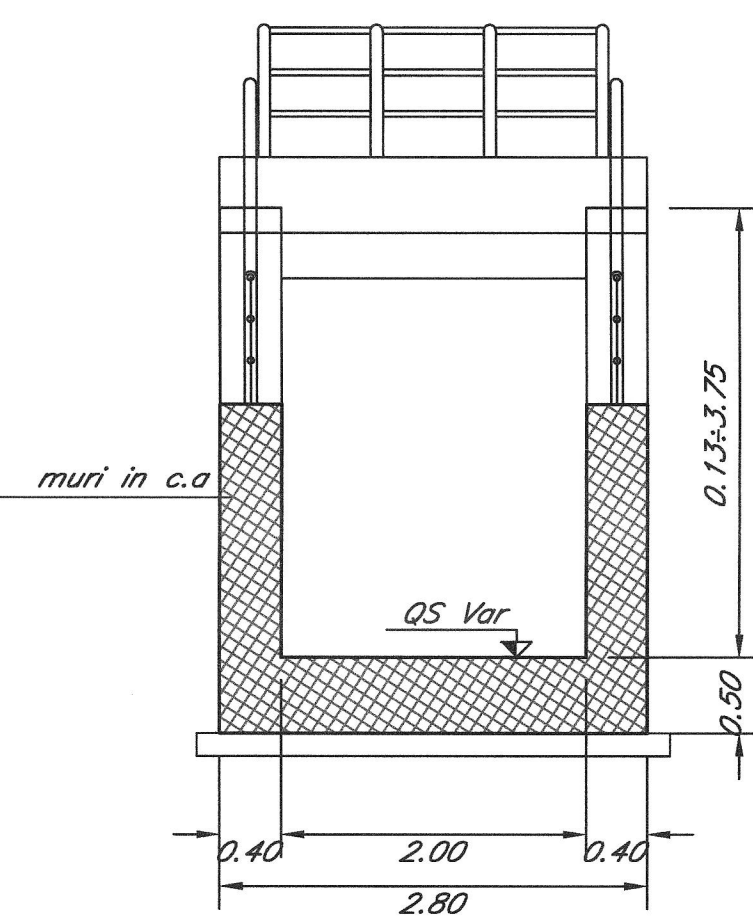
GIUNTO WATERSTOP
Scala 1:20



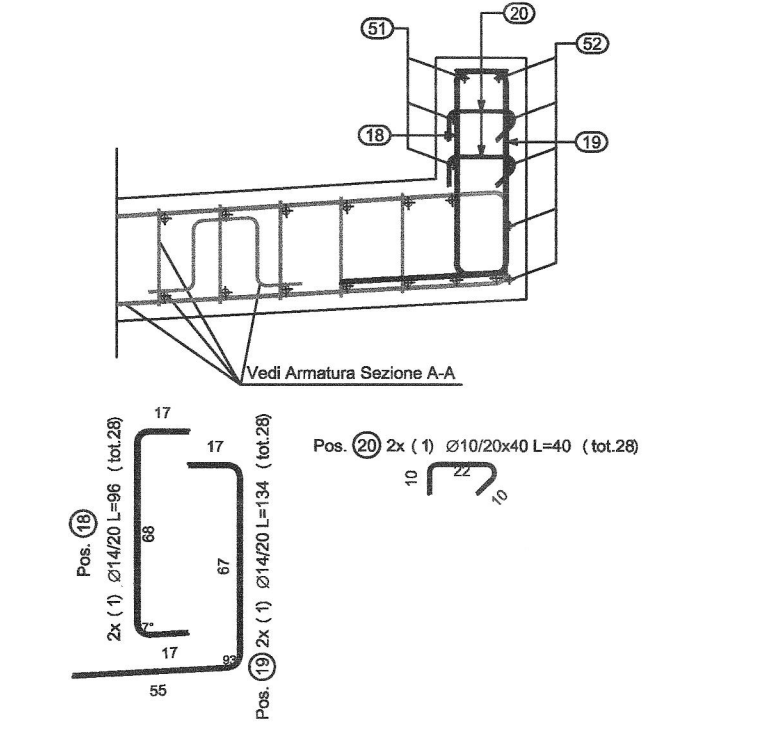
SEZIONE A-A
Scala 1:50



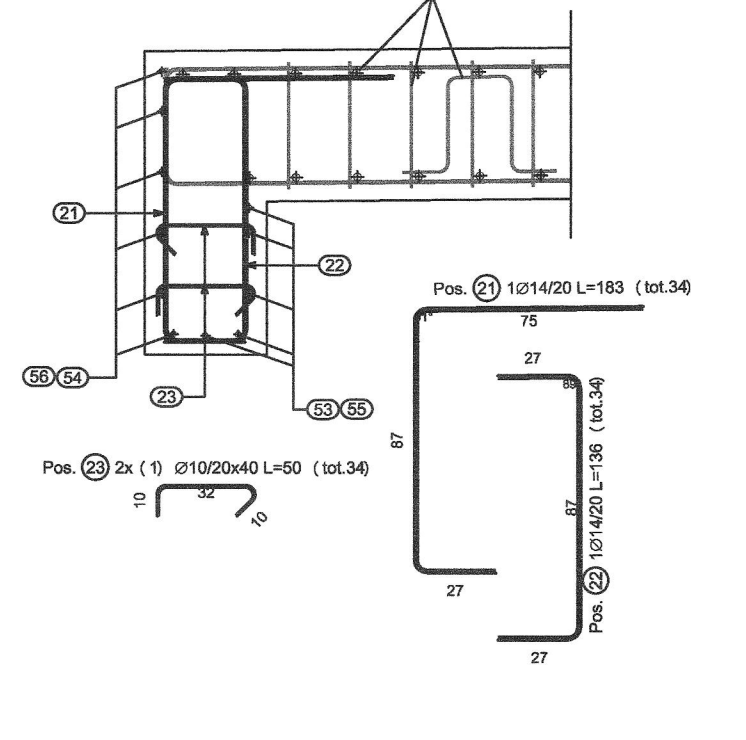
SEZIONE B-B
Scala 1:50



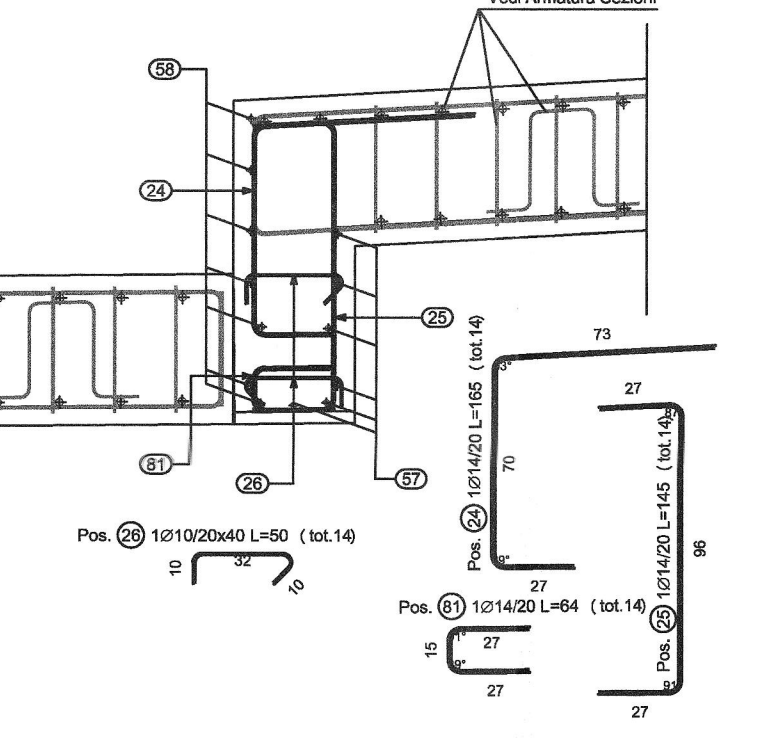
DETTAGLIO A ARMATURA
Scala 1:20



DETTAGLIO B ARMATURA
Scala 1:20



DETTAGLIO C ARMATURA
Scala 1:20



DETTAGLIO D ARMATURA
Scala 1:20

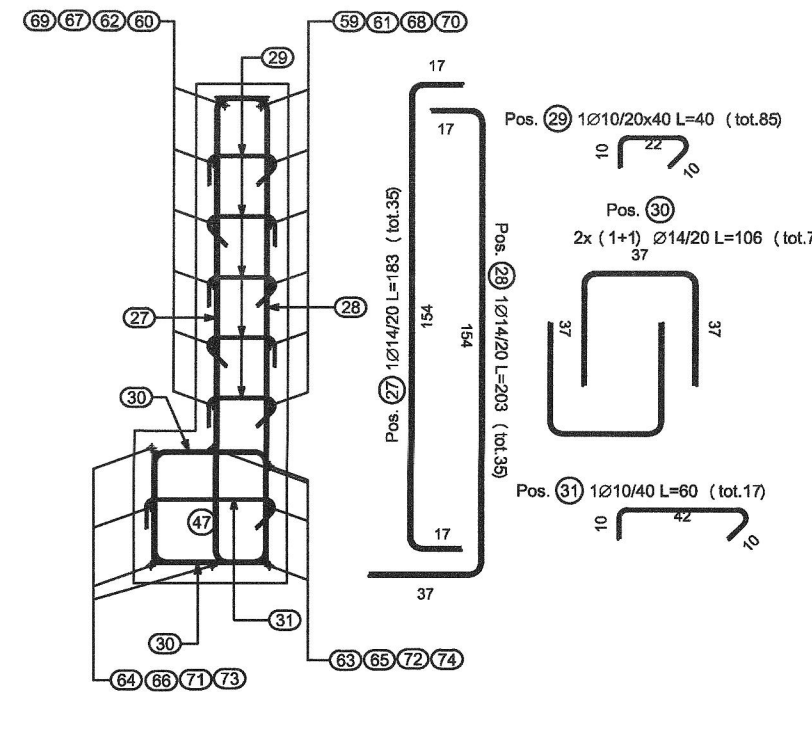


TABELLA FERRI SEZIONE A-A

Table with 4 columns: ELEMENTO, POSIZIONE, N. PEZZI, and PESO. It lists the reinforcement bars for Section A-A, including their positions and total weight.

TABELLA FERRI DETTAGLIO D

Table with 4 columns: ELEMENTO, POSIZIONE, N. PEZZI, and PESO. It lists the reinforcement bars for Detail D, including their positions and total weight.

TABELLA FERRI DETTAGLIO A

Table with 4 columns: ELEMENTO, POSIZIONE, N. PEZZI, and PESO. It lists the reinforcement bars for Detail A, including their positions and total weight.

TABELLA FERRI DETTAGLIO B

Table with 4 columns: ELEMENTO, POSIZIONE, N. PEZZI, and PESO. It lists the reinforcement bars for Detail B, including their positions and total weight.

TABELLA FERRI DETTAGLIO C

Table with 4 columns: ELEMENTO, POSIZIONE, N. PEZZI, and PESO. It lists the reinforcement bars for Detail C, including their positions and total weight.

TABELLA FERRI DETTAGLIO B

Table with 4 columns: ELEMENTO, POSIZIONE, N. PEZZI, and PESO. It lists the reinforcement bars for Detail B, including their positions and total weight.

TABELLA MATERIALI: A table listing various construction materials, their specifications, and the quantities required for the project.

ACCIAIO: A table listing steel materials, their specifications, and the quantities required for the project.

ACCIAIO ARMONICO DI TIPO STABILIZZATO PER TRAVI E TRAVERSI: A table listing specific steel materials for beams and cross-panels.

ACCIAIO PER CARPENTERIA METALLICA STRUTTURE PRINCIPALI: A table listing steel materials for the main structural steelwork.

BALLONI PER UNIONI A TAGLIO: A table listing materials for cutting joints.

BALLONI PER UNIONI AD ATRITTO: A table listing materials for friction joints.

ACCIAIO PER ARMATURA MICROPLI: A table listing steel materials for micro-reinforcement.

PRESCRIZIONI COPRIFERRO NETTO: A table listing net reinforcement cover requirements for various conditions.

LE SOVRAPPOSIZIONI DELLE BARRE DEVONO ESSERE DI MINIMO 50 VOLTE IL DIAMETRO DELLE STESSA: A table listing lap length requirements for reinforcement bars.

REINFORCEMENT LAYOUT: A table listing the reinforcement layout for various parts of the structure.

REINFORCEMENT LAYOUT: A table listing the reinforcement layout for various parts of the structure.

REINFORCEMENT LAYOUT: A table listing the reinforcement layout for various parts of the structure.

REINFORCEMENT LAYOUT: A table listing the reinforcement layout for various parts of the structure.

REINFORCEMENT LAYOUT: A table listing the reinforcement layout for various parts of the structure.

REINFORCEMENT LAYOUT: A table listing the reinforcement layout for various parts of the structure.

REINFORCEMENT LAYOUT: A table listing the reinforcement layout for various parts of the structure.

REINFORCEMENT LAYOUT: A table listing the reinforcement layout for various parts of the structure.

REINFORCEMENT LAYOUT: A table listing the reinforcement layout for various parts of the structure.

REINFORCEMENT LAYOUT: A table listing the reinforcement layout for various parts of the structure.

REINFORCEMENT LAYOUT: A table listing the reinforcement layout for various parts of the structure.

REINFORCEMENT LAYOUT: A table listing the reinforcement layout for various parts of the structure.

Nota bene: Le sovrapposizioni devono essere minimo 50d