

VIADOTTO TARO - CARREGGIATA NORD - IMPALCATO SP1-P11 Lto= 1017,8m

Table with columns for location (PARMA, VERONA), lane (X, Y, Z), and elevation data for various sections of the viaduct.

Table with columns for location (PARMA, VERONA), lane (X, Y, Z), and elevation data for various sections of the viaduct.

NOTA: PER CARATTERISTICHE DEI MATERIALI E SPECIFICHE TECNICHE VEDI TAVOLA RAA/TEMP/SG/PRODOTTI

DESCRIZIONE DELLA MODIFICA: Inserita nota

VIADOTTO TARO - CARREGGIATA NORD - IMPALCATO SP1-P11 Lto= 1017,8m

Table with columns for location (PARMA, VERONA), lane (X, Y, Z), and elevation data for various sections of the viaduct.

VERONA

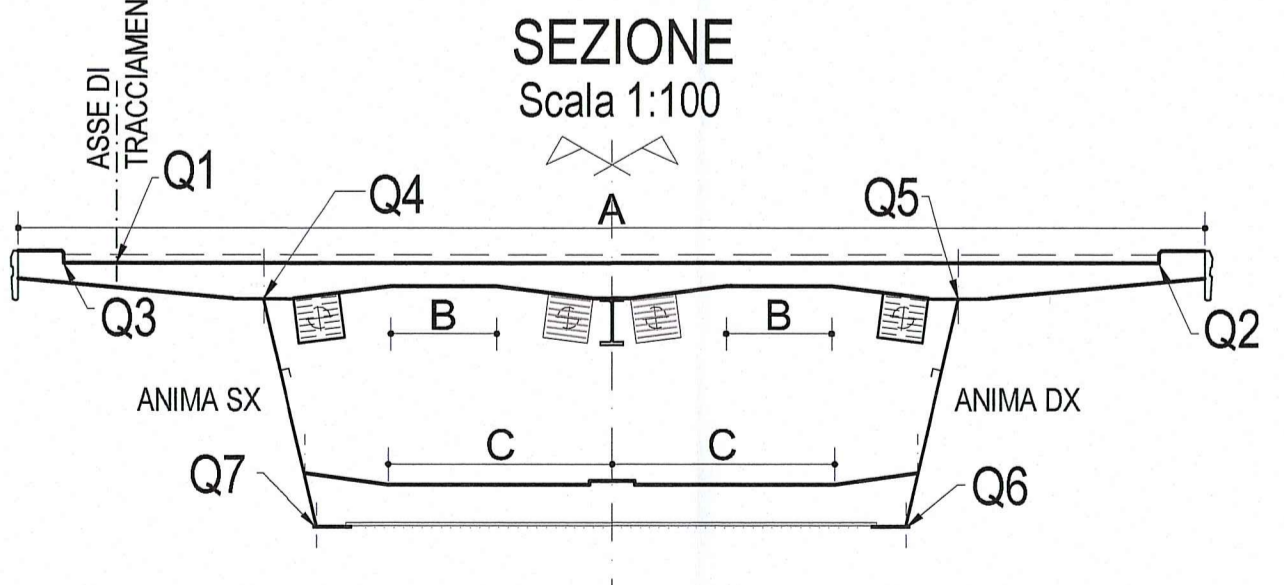


Table with columns for location (PARMA, VERONA), lane (X, Y, Z), and elevation data for various sections of the viaduct.

Project information block including company name (AUTOCAMIONALE DELLA CISA S.p.A.), project title (PROGETTO ESECUTIVO), scale (1:100), date (18/03/2014), and various technical details.