

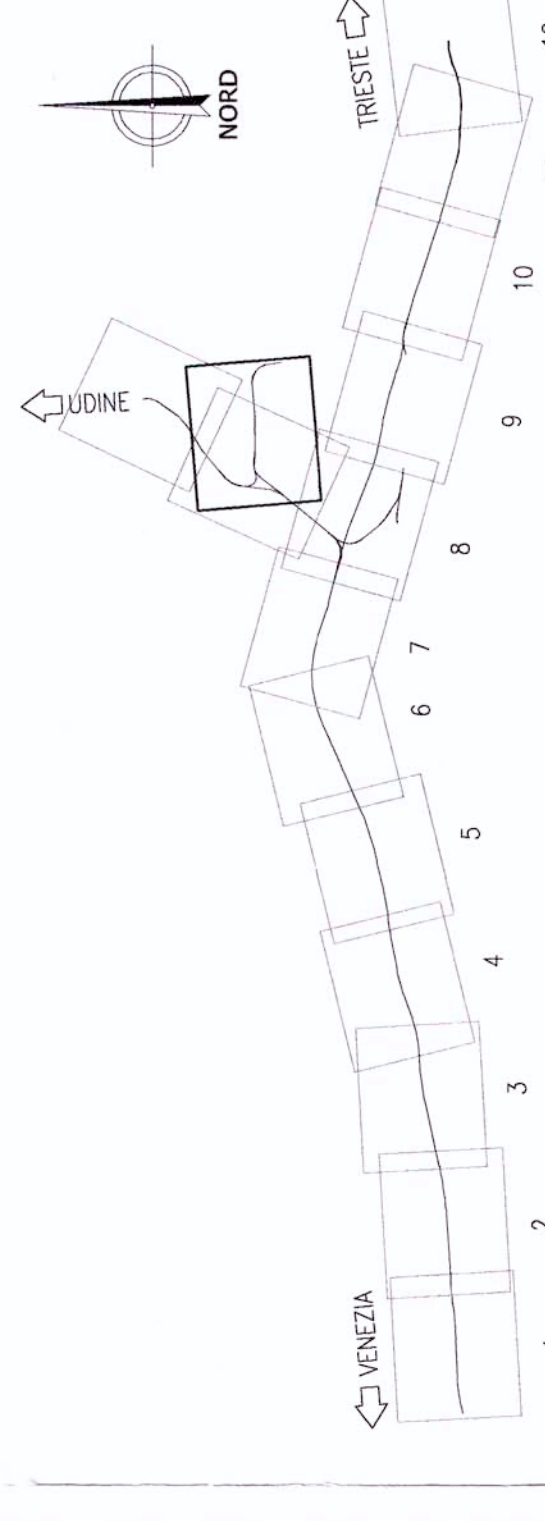
LIMITE ESPROPRIO (ex art. 48 D.P.R. 752/80)

LIMITE FASCIA VINCULO URBANISTICO

RECINZIONI

DEMOLIZIONI

PANTA CHIAVE



COMITENTE: RFI

PROGETTAZIONE: ITALFER

U.O.: PROGETTAZIONE LINEE, NODI E ARMAMENTO

PROGETTO PRELIMINARE

NUOVA LINEA AV/AC VENEZIA - TRIESTE

TRATTA PORTOGUARO - RONCHI DEI LEGIONARI

Planimetria su cartografia Aee vincolata Recorordo merci sud e Recorordo merci nord

SCALA: 1:5.000

COMMESSA LOTTO FASE ENTE TIPO DOC. OPERANDOPLAN. PROG. REV.

L3416 00 R 13 P5 IF0001 033 A

Rev. Descrizione Redatto Data Verificato Data Approvato Data Autografo Data

A Emissione esecutiva 0.000 2010 2010 2010 2010

FILE: L3416/001-UP/1000/033/A.A99

Credito progetto e contenuto: Geo-CAD/GeoBent

EUROPEAN UNION



**B.P. UD.**

**V. PLAN 7.4**

X	120916.290	54814.788	286.67748
Y	150918.648	256.87198	100.00000
Z	120916.290	54814.788	100.00000
AA	120916.290	54814.788	100.00000
AB	120916.290	54814.788	100.00000
AC	120916.290	54814.788	100.00000
AD	120916.290	54814.788	100.00000
AE	120916.290	54814.788	100.00000
AF	120916.290	54814.788	100.00000
AG	120916.290	54814.788	100.00000
AH	120916.290	54814.788	100.00000
AI	120916.290	54814.788	100.00000
AJ	120916.290	54814.788	100.00000

**B.P. UD.**

**V. PLAN 7.5**

X	120916.290	54814.788	286.67748
Y	150918.648	256.87198	100.00000
Z	120916.290	54814.788	100.00000
AA	120916.290	54814.788	100.00000
AB	120916.290	54814.788	100.00000
AC	120916.290	54814.788	100.00000
AD	120916.290	54814.788	100.00000
AE	120916.290	54814.788	100.00000
AF	120916.290	54814.788	100.00000
AG	120916.290	54814.788	100.00000
AH	120916.290	54814.788	100.00000
AI	120916.290	54814.788	100.00000
AJ	120916.290	54814.788	100.00000

**B.P. UD.**

**V. PLAN 7.6**

X	120916.290	54814.788	286.67748
Y	150918.648	256.87198	100.00000
Z	120916.290	54814.788	100.00000
AA	120916.290	54814.788	100.00000
AB	120916.290	54814.788	100.00000
AC	120916.290	54814.788	100.00000
AD	120916.290	54814.788	100.00000
AE	120916.290	54814.788	100.00000
AF	120916.290	54814.788	100.00000
AG	120916.290	54814.788	100.00000
AH	120916.290	54814.788	100.00000
AI	120916.290	54814.788	100.00000
AJ	120916.290	54814.788	100.00000

**B.P. UD.**

**V. PLAN 7.7**

X	120916.290	54814.788	286.67748
Y	150918.648	256.87198	100.00000
Z	120916.290	54814.788	100.00000
AA	120916.290	54814.788	100.00000
AB	120916.290	54814.788	100.00000
AC	120916.290	54814.788	100.00000
AD	120916.290	54814.788	100.00000
AE	120916.290	54814.788	100.00000
AF	120916.290	54814.788	100.00000
AG	120916.290	54814.788	100.00000
AH	120916.290	54814.788	100.00000
AI	120916.290	54814.788	100.00000
AJ	120916.290	54814.788	100.00000

**B.P. UD.**

**V. PLAN 7.8**

X	120916.290	54814.788	286.67748
Y	150918.648	256.87198	100.00000
Z	120916.290	54814.788	100.00000
AA	120916.290	54814.788	100.00000
AB	120916.290	54814.788	100.00000
AC	120916.290	54814.788	100.00000
AD	120916.290	54814.788	100.00000
AE	120916.290	54814.788	100.00000
AF	120916.290	54814.788	100.00000
AG	120916.290	54814.788	100.00000
AH	120916.290	54814.788	100.00000
AI	120916.290	54814.788	100.00000
AJ	120916.290	54814.788	100.00000

**B.P. UD.**

**V. PLAN 7.9**

X	120916.290	54814.788	286.67748
Y	150918.648	256.87198	100.00000
Z	120916.290	54814.788	100.00000
AA	120916.290	54814.788	100.00000
AB	120916.290	54814.788	100.00000
AC	120916.290	54814.788	100.00000
AD	120916.290	54814.788	100.00000
AE	120916.290	54814.788	100.00000
AF	120916.290	54814.788	100.00000
AG	120916.290	54814.788	100.00000
AH	120916.290	54814.788	100.00000
AI	120916.290	54814.788	100.00000
AJ	120916.290	54814.788	100.00000

**B.P. UD.**

**V. PLAN 8.0**

X	120916.290	54814.788	286.67748
Y	150918.648	256.87198	100.00000
Z	120916.290	54814.788	100.00000
AA	120916.290	54814.788	100.00000
AB	120916.290	54814.788	100.00000
AC	120916.290	54814.788	100.00000
AD	120916.290	54814.788	100.00000
AE	120916.290	54814.788	100.00000
AF	120916.290	54814.788	100.00000
AG	120916.290	54814.788	100.00000
AH	120916.290	54814.788	100.00000
AI	120916.290	54814.788	100.00000
AJ	120916.290	54814.788	100.00000

**B.P. UD.**

**V. PLAN 8.1**

X	120916.290	54814.788	286.67748
Y	150918.648	256.87198	100.00000
Z	120916.290	54814.788	100.00000
AA	120916.290	54814.788	100.00000
AB	120916.290	54814.788	100.00000
AC	120916.290	54814.788	100.00000
AD	120916.290	54814.788	100.00000
AE	120916.290	54814.788	100.00000
AF	120916.290	54814.788	100.00000
AG	120916.290	54814.788	100.00000
AH	120916.290	54814.788	100.00000
AI	120916.290	54814.788	100.00000
AJ	120916.290	54814.788	100.00000