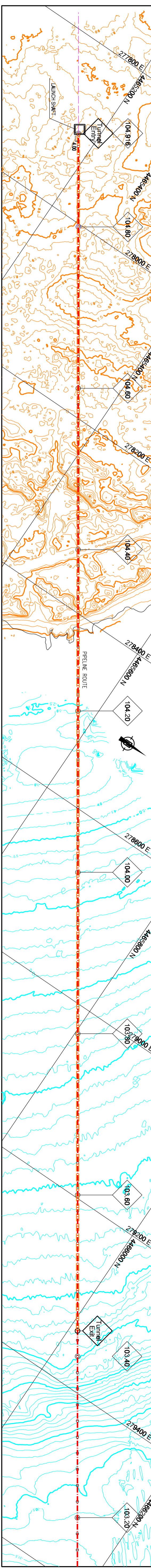
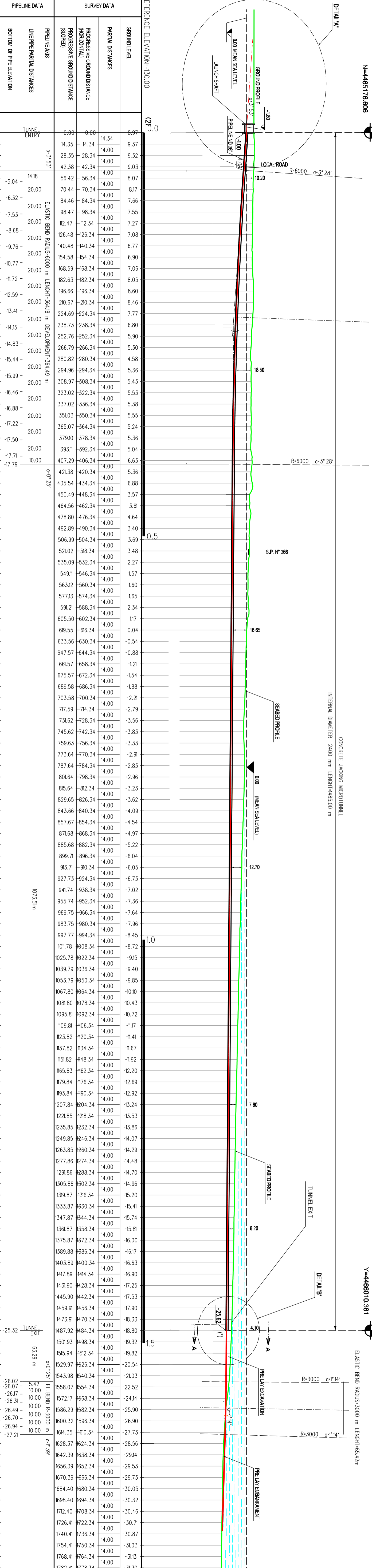


BATHYMETRIC MAP SCALE 1: 2500

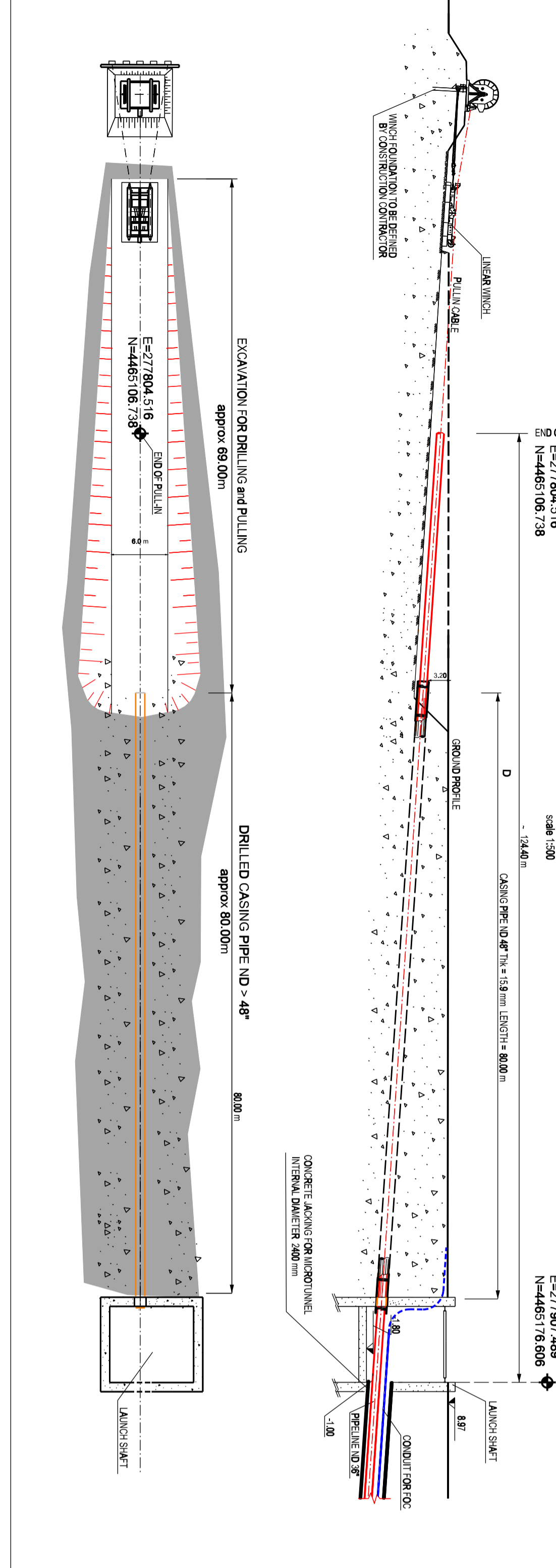


LONGITUDINAL PROFILE 1:2500

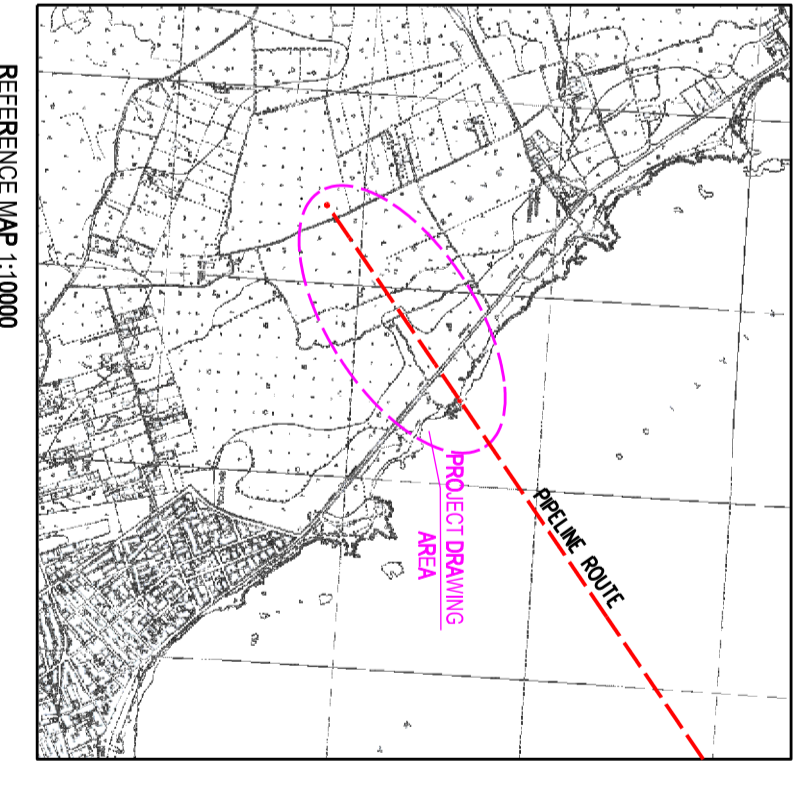
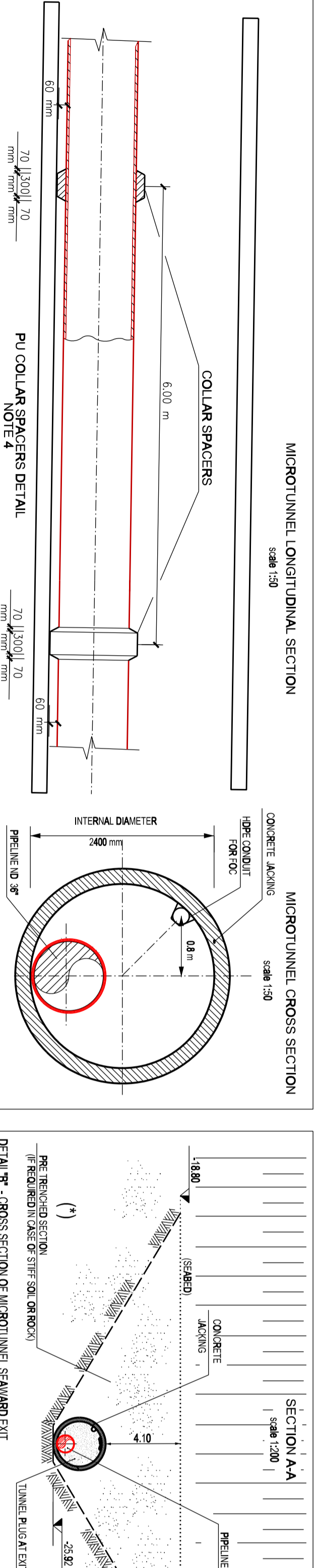


PIPELINE DATA		SURVEY DATA	
LINE PER PARTIAL DISTANCES	TUNNEL ENTRY	PARTIAL DISTANCES	PROGRESSIVE GROUND DISTANCE (HORIZONTAL)
BOTTOM OF PIPE ELEVATION		PROGRESSIVE GROUND DISTANCE (SLOPED)	
			PROGRESSIVE GROUND DISTANCE (SLOPED)

PIPELINE PULLING DRILLED CASING PIPE ND > 48"



- NOTE:
- 1- TOPOGRAPHIC DATA FROM IGM (S17222) TO BE USED FOR THIS DRAWING
 - 2- CORRECTIONS TO BE MADE TO THE DATA
 - 3- UPON GEOTECHNICAL CONSTRUCTION, SOIL AND ROCK TESTS AND THEIR RESULTS SHALL BE ENCOUNTERED DURING DRILLING
 - 4- PI COLLAR SPACERS SHALL BE LOCATED BRACKET ANGLE



REV.	DATE	DESCRIPTION	Prepared	Checked	Approved	Date	Approved
01	08-03-2015	REVISION FOR CONSTRUCTION	GALLI	MARCHIONNI	BODALINI		
02	28-11-2013	ISSUED FOR CONSTRUCTION	SABARINI	MARCHIONNI	BODALINI		
03	08-09-2013	REVISION FOR REVIEW - NEW LAUNCH LOCATION	SABARINI	MARCHIONNI	BODALINI		
A	21-11-2012	ISSUED FOR I.D.C.	SABARINI	MARCHIONNI	BODALINI		

TRANSPADRIC PIPELINE PROJECT OFFSHORE PIPELINE DETAIL DESIGN

OP100 SPF 124 Q DQP 0001 01

Scale: 1:10000

Document Title: **MICROTUNNEL INSTALLATION MAP AND PROFILE**

Company: **Stalioni**

NO	REVISION DOCUMENTS	OP 100 SPF 124 Q DQP 0001
1	ORIGINAL FIELD LAYOUT REV. 01	OP 100 SPF 124 Q DQP 0001
2	ITALIAN LANDFILL GENERAL LAYOUT - REV. 00	OP 100 SPF 124 Q DQP 0001
3	SHAFT REQUIREMENTS - REV. 01	OP 100 SPF 124 Q DQP 0001
4	ITALY TEMPORARY PIG TRAP AREA LAYOUT - REV. 01	OP 100 SPF 124 Q DQP 0001