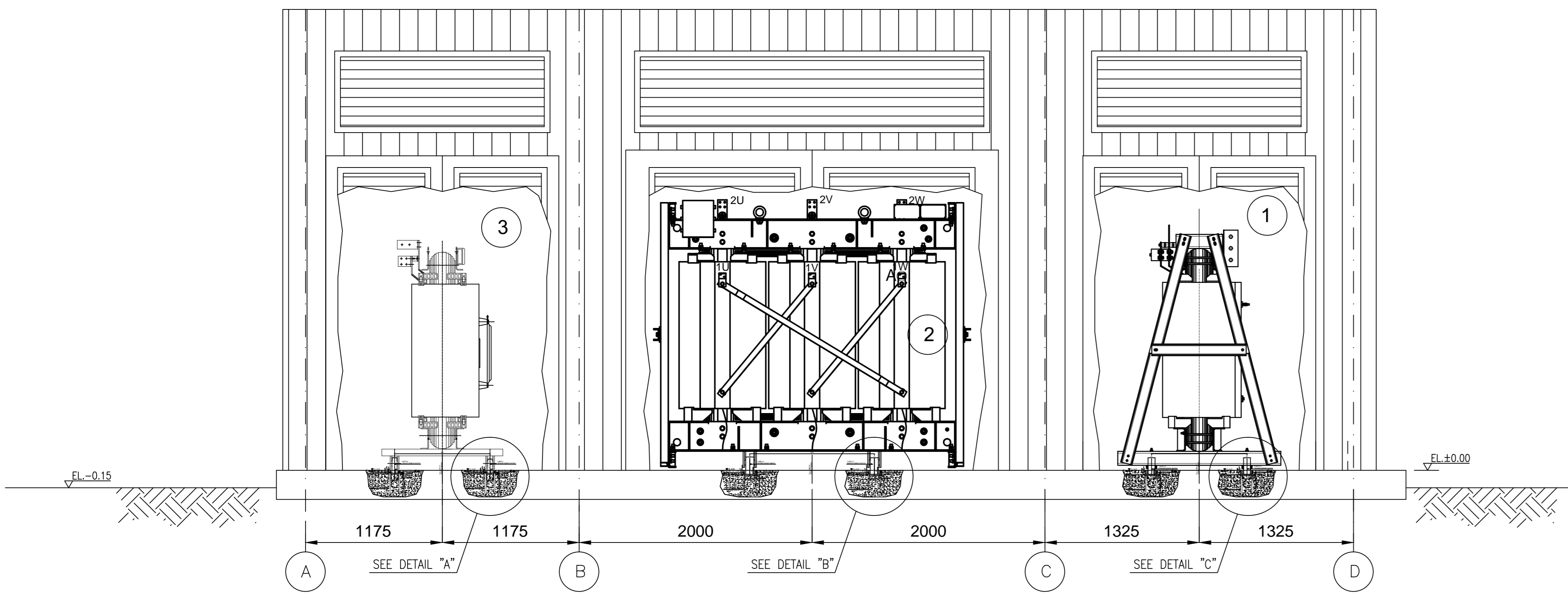
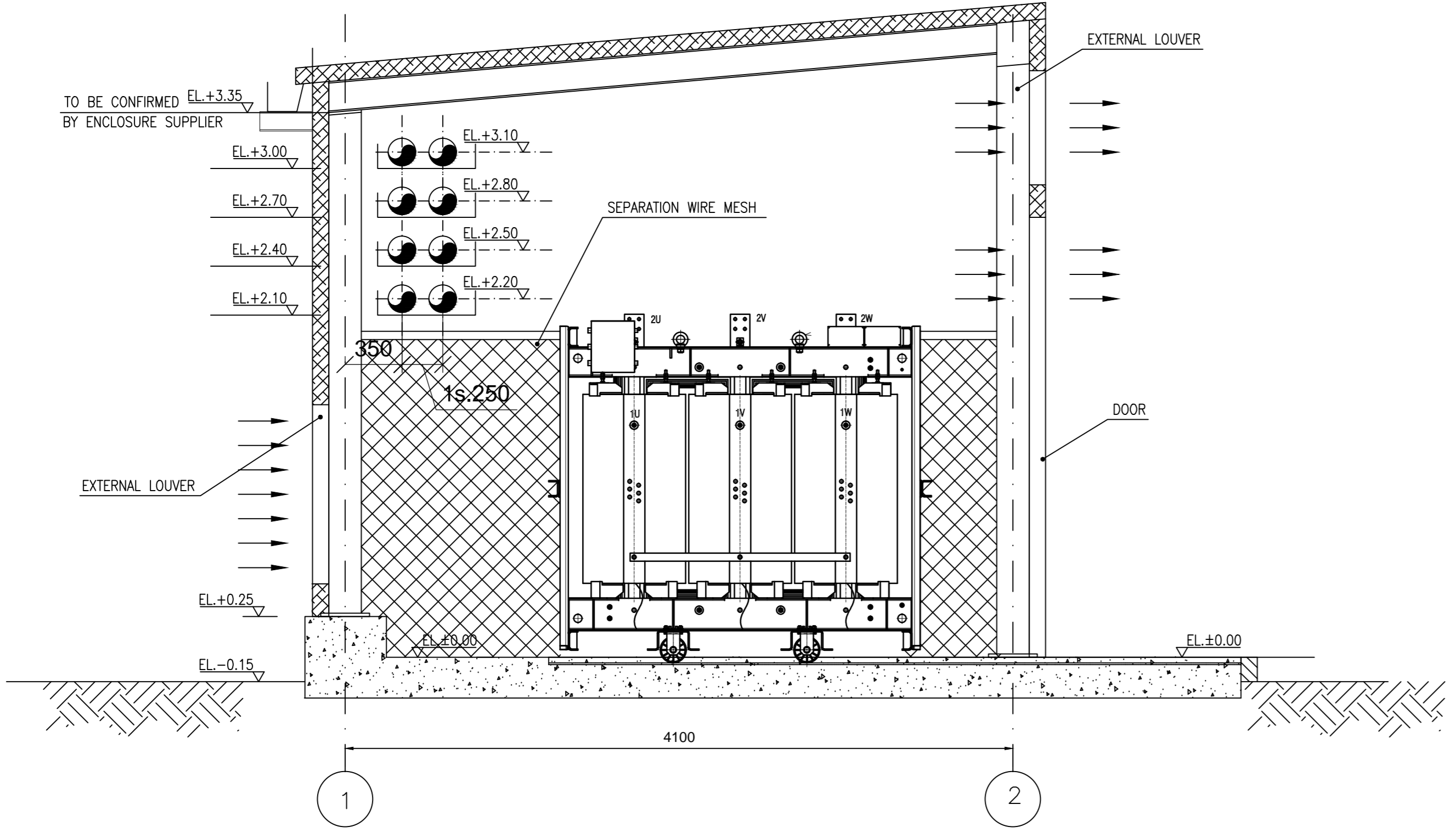




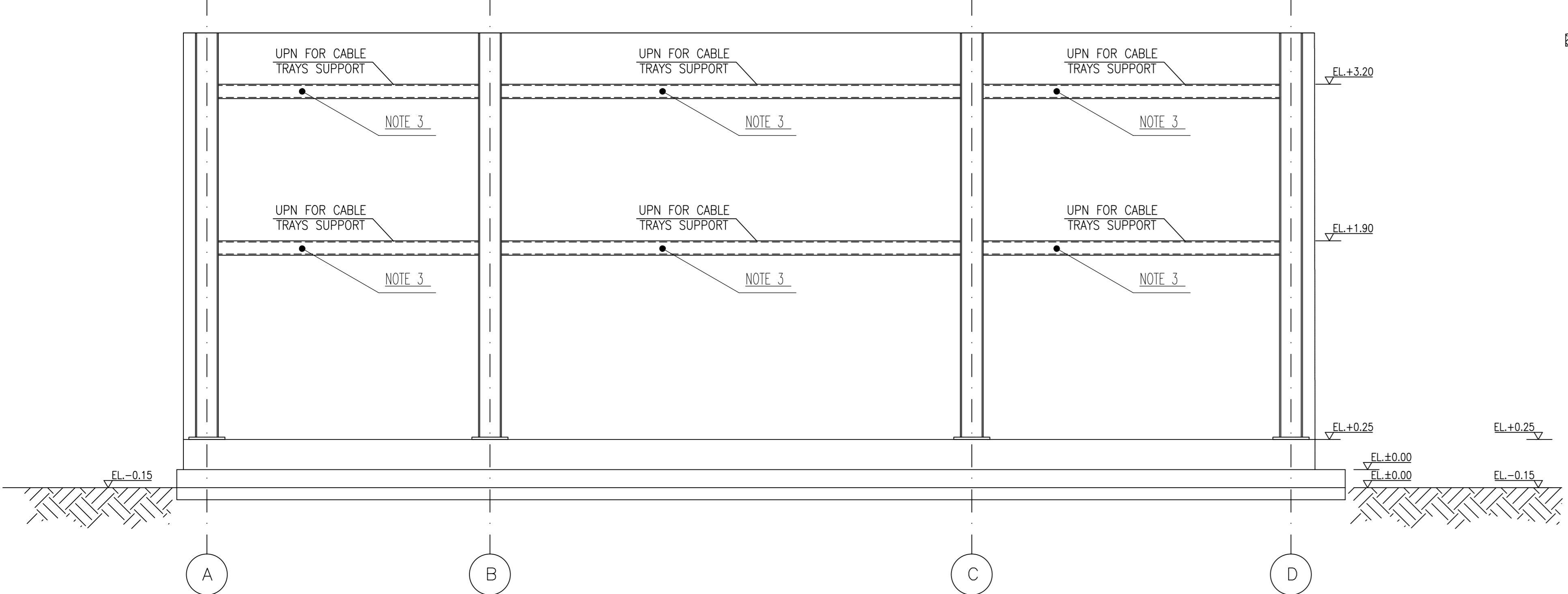
SECTION A-A



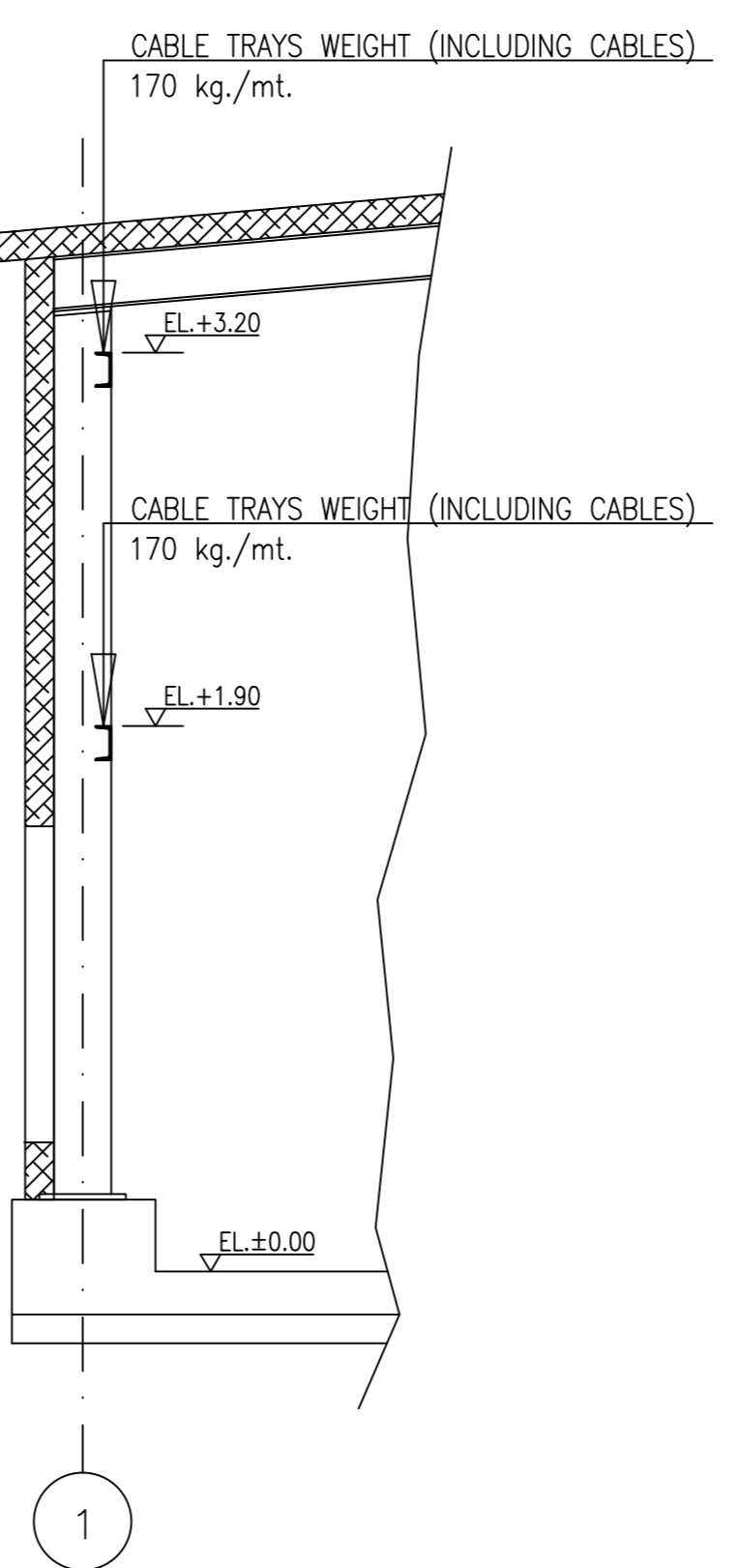
SECTION B-B



SECTION C-C



SECTION D-D



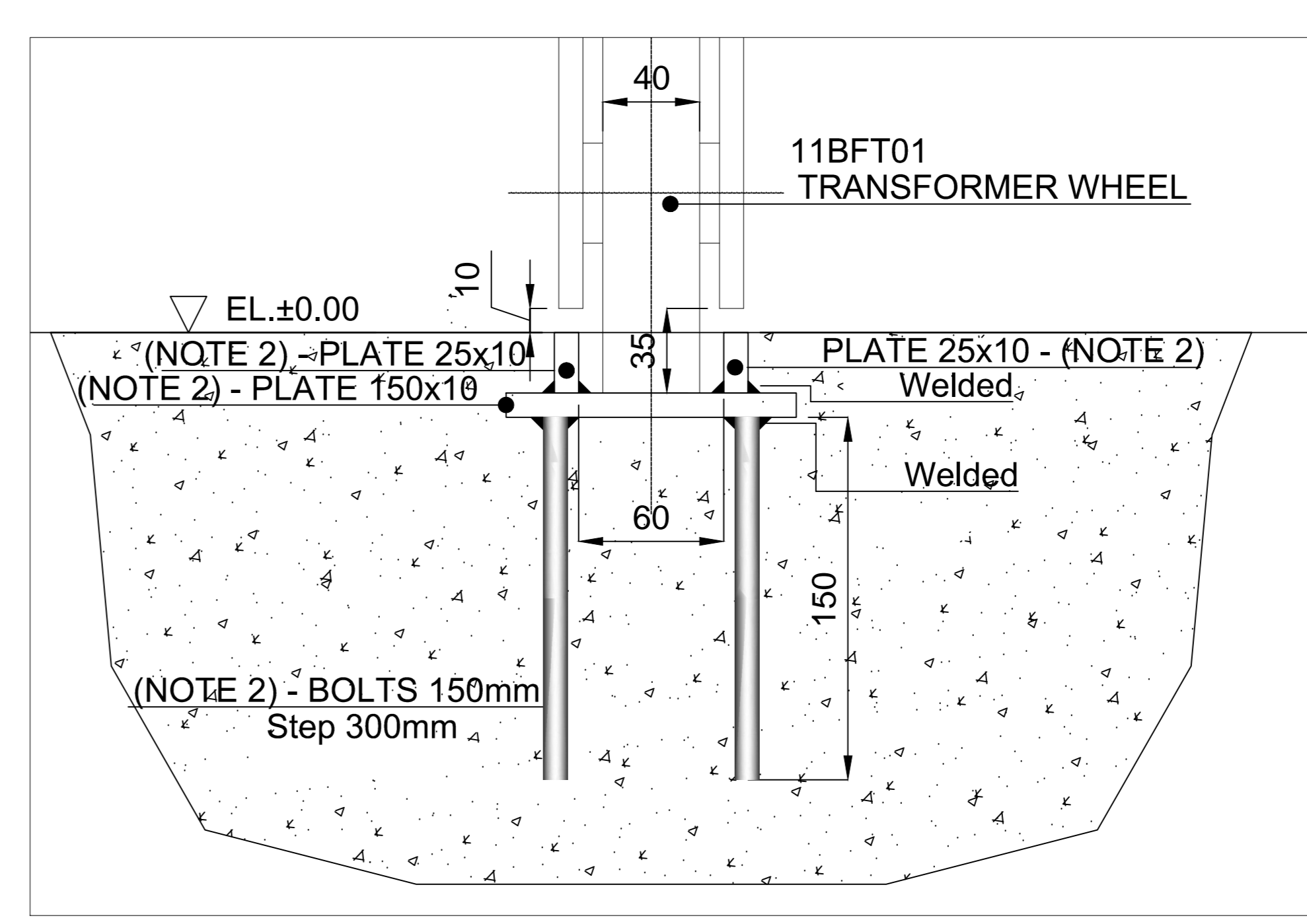
ELECTRICAL EQUIPMENTS LEGEND								
POS.	DESCRIPTION	KKS	MOUNTING TYPE	CABLES ENTRY	DIMENSIONS (mm)	WEIGHT (kg)	HEAT LOSSES (kW)	REFERENCE DRAWING
01	INDUCTION TRANSFORMER	11MKC10	ON FLOOR	F. TOP	2350x1400x2150	4450	1.855(OPT. LOAD) 31.285(O.N. LOAD)	0572
02	STATIC STARTER TRANSFORMER	11MBJ10	ON FLOOR	F. TOP	2750x1600x2400	9600	3.995(OPT. LOAD) 23.43(O.N. LOAD)	0572
03	AUXILIARY TRANSFORMER	11BFT01	ON FLOOR	F. TOP	1650x1040x2000	3500	1.650(OPT. LOAD) 11.00(O.N. LOAD)	0572

ELECTRICAL EQUIPMENTS LEGEND							
- ALL DIMENSIONS ARE IN m.							
- ALL ELEVATIONS AND COORDINATES ARE IN m.							
- ALL ELEVATIONS ARE REFERRED TO PLANT DATUM LEVEL 0.00=±0.5 Meters							

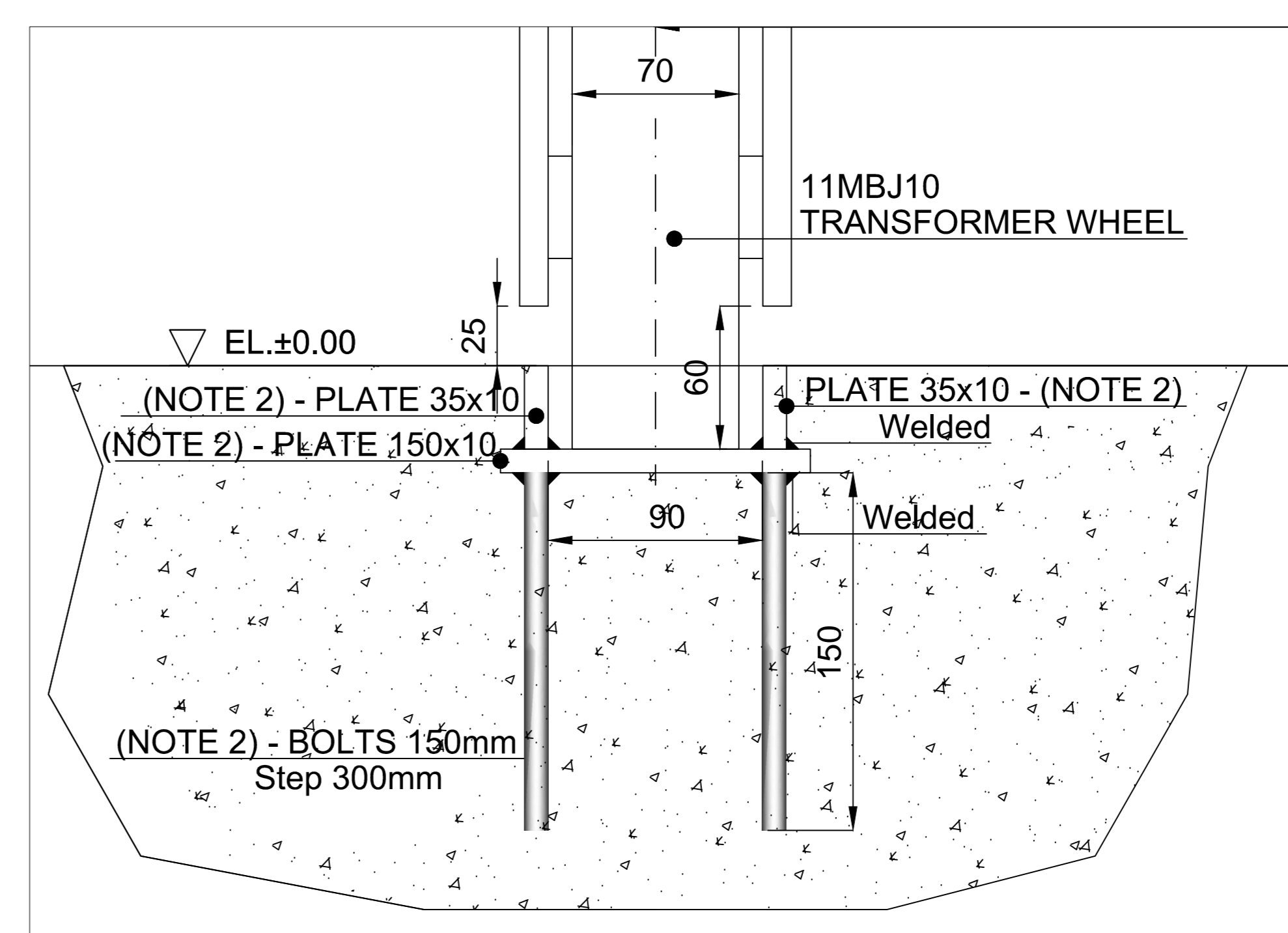
REFERENCE DRAWINGS							
0572	ADWD001	GENERAL ONE LINE DIAGRAM					
0572	ATVBP001	GENERAL ARRANGEMENT PLAN & SECTIONS					
0572	AUXBE200	AUXILIARY TRANSFORMERS PLAN - INPUT FOR CIVIL WORK					

NOTE							
01) THE DETAIL AND THE FINAL POSITION OF CABLE TRAYS SUPPORT WILL BE DEFINED ACCORDING TO GC&S STRUCTURE DESIGN							
02) ALL EMBEDDED MATERIAL SHOWN ON PRESENT DRAWING WILL BE SUPPLIED BY CIVIL							
03) AUXILIARY STRUCTURES FOR CABLE TRAYS WILL BE SUPPLIED BY TRANSFORMERS ENCLOSURE VENDOR							

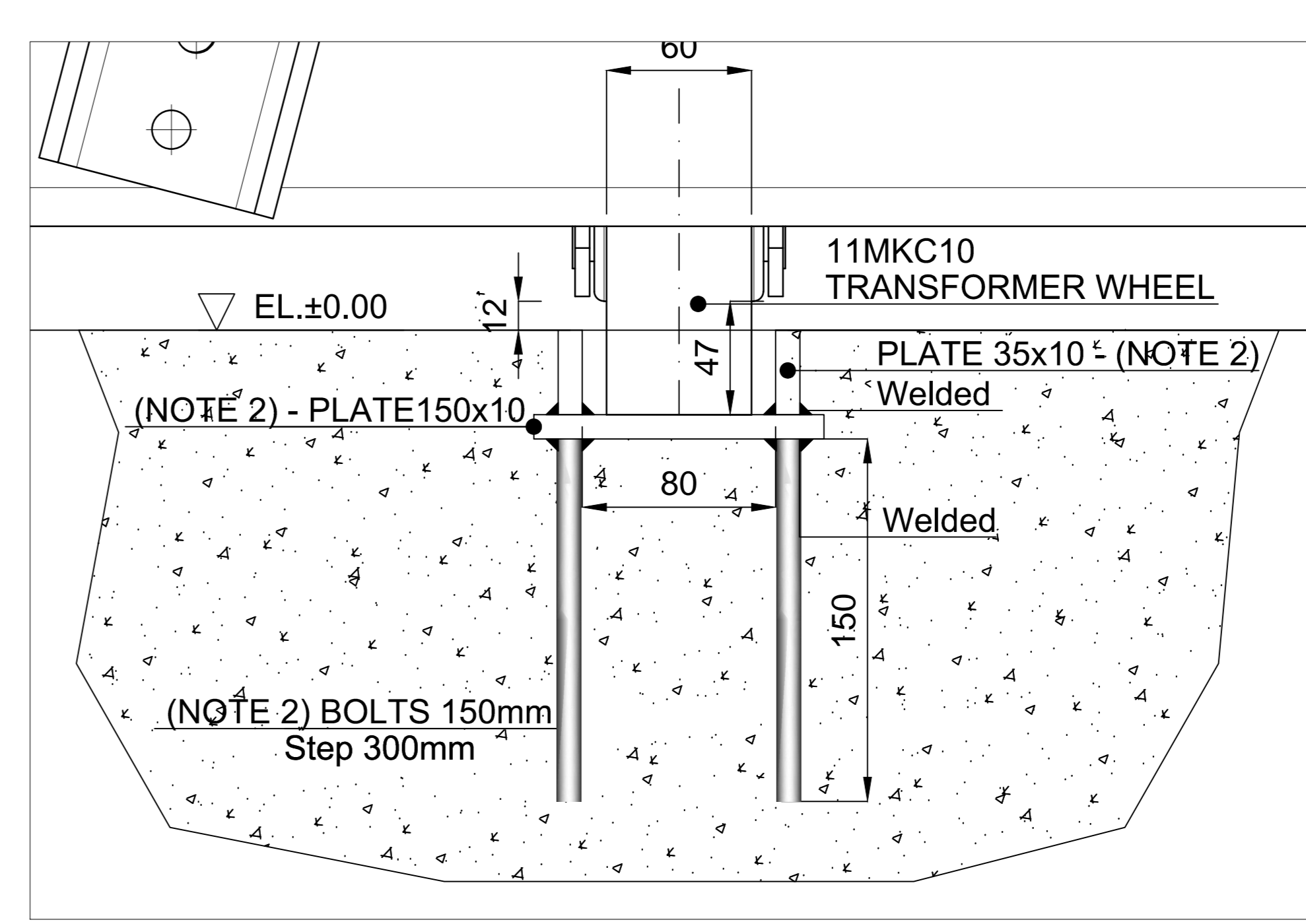
"DETAIL A"



"DETAIL B"



"DETAIL C"



Rev.	Sc.	Desc.	Preparato	Controllato	Verificato	Verificato	Approvato	Data
01	I	GENERAL REVISION						19-12-16
00	U	PRELIMINARY ISSUE						27-07-16

Progetto/Project		Numero cliente/Project Reference	
ROSEN 2017 EPCM		ROSN-01-E-ZE-ADR-002	

Cliente/Client		Ingegnere Cliente/Owner Engineer	

Commissio/Job no.	Codice/Team/center	Emittente/Issued by	Classe/Class	Tipologia/Type	Scala/Scale	Derivato da/derived from	Rev. rev.
0572	ELE	RE/EE/ME	2	ICW	1:25		

ANSALDO ENERGIA		AUXILIARY TRANSFORMERS SECTIONS AND DETAILS INPUT FOR CIVIL WORK				
<small>Ansaldo Energia si riserva tutti i diritti su questo documento che non potrà essere ristampato, copiato, parzialmente o integralmente senza il suo autorizzazione scritta. Ansaldo Energia reserves all rights on this document. This document can be reproduced in any part without its written consent.</small>		Codice struttura/structure	Identificativo/document no.	Rev./rev.	Foglio/Sheet	Spazio foglio/Sheet of
		0572 A 1 UBE E 201		0	001	001