

GENERAL NOTES

- ALL ELEVATION ARE REFERRED AT EL. ∇ 0.00 = ∇ 8400
- ALL DRAINAGE, IN THE LOWER POINT OF THE PIPE LINE, HAVE TO BE COLLECTED TO NEAREST EXISTING SEWER
- ALL DIMENSION ARE SHOWN IN mm
- ∇ SHOWN CENTER OF PIPE OR CENTER LINE EQUIPMENT
- ∇ SHOWN BOTTOM OF PIPE OR GENERIC ELEVATION
- PIPING SUPPORT HAVE TO BE DEFINING DURING DETAIL ENGINEERING
- ROUTING AND DIMENSION HAVE TO BE CHECKED OR CONFIRMED DURING DETAIL ENGINEERING

LEGEND

- X P.F. FIXED POINT
- G GUIDE
- A SUPPORT

Typical SUPPORT

Valid for pipe $10'' \leq \varnothing \leq 24''$

Typical GUIDE

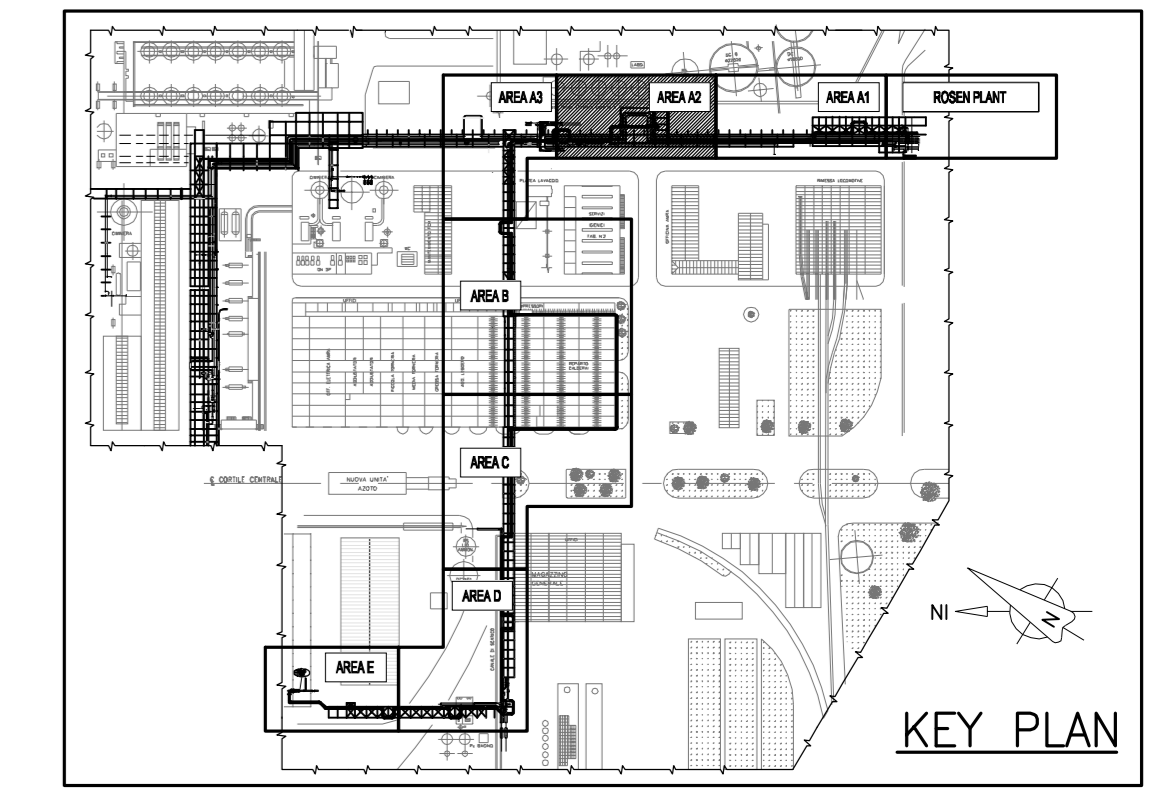
Valid for pipe $10'' \leq \varnothing \leq 24''$

Typical FIXED POINT ON EXISTING SLEEPER

Valid for pipe $10'' \leq \varnothing \leq 24''$

Typical For Drainage Collecting

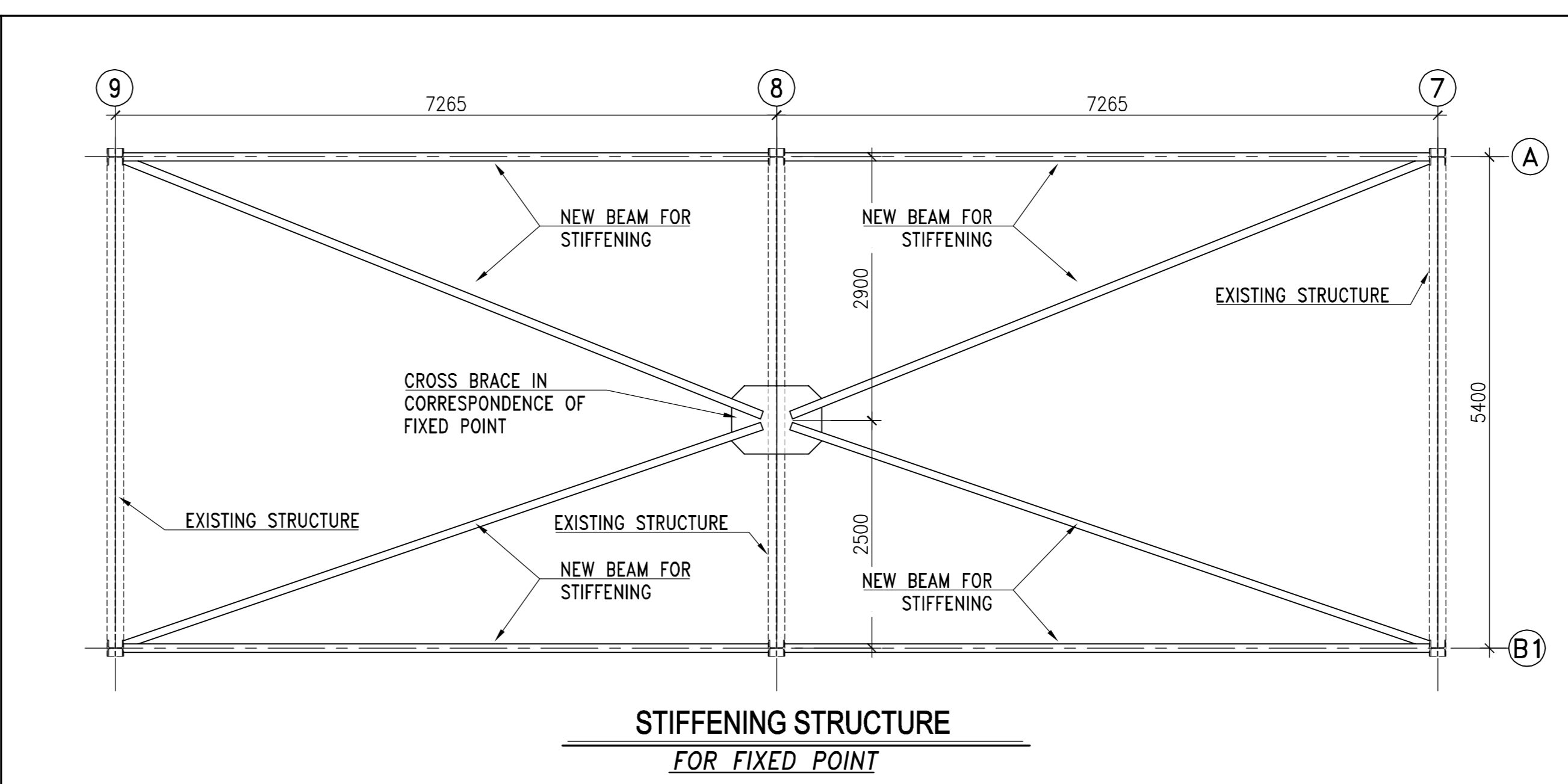
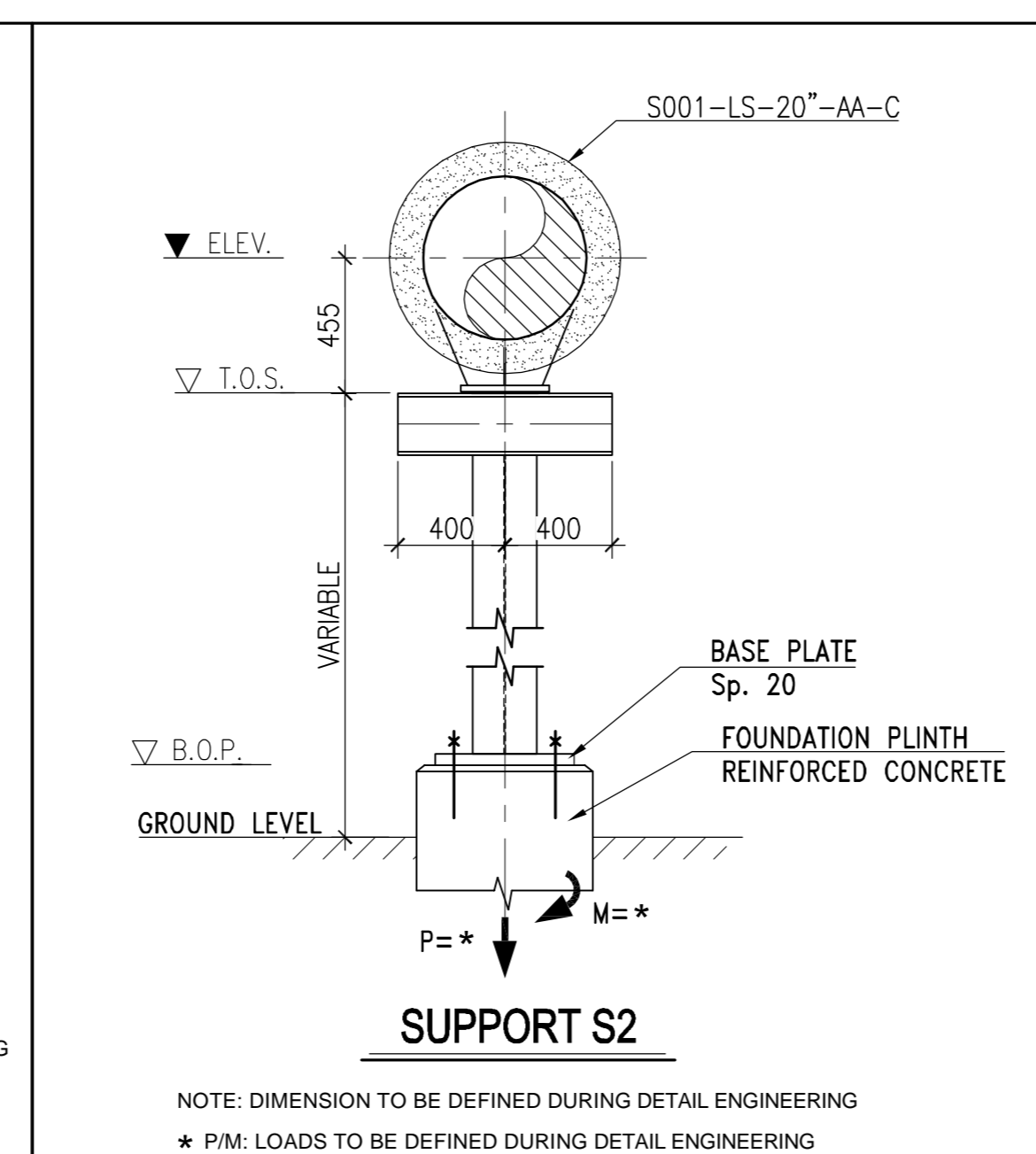
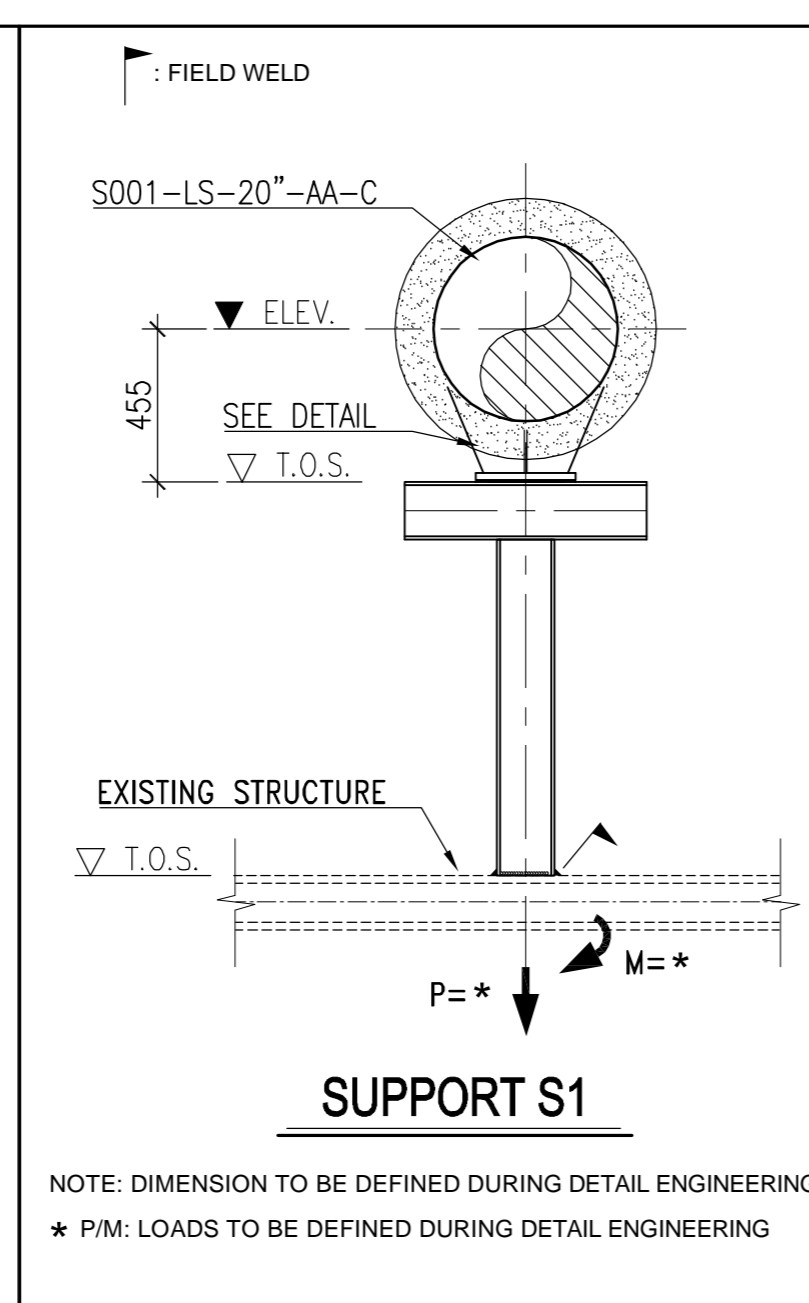
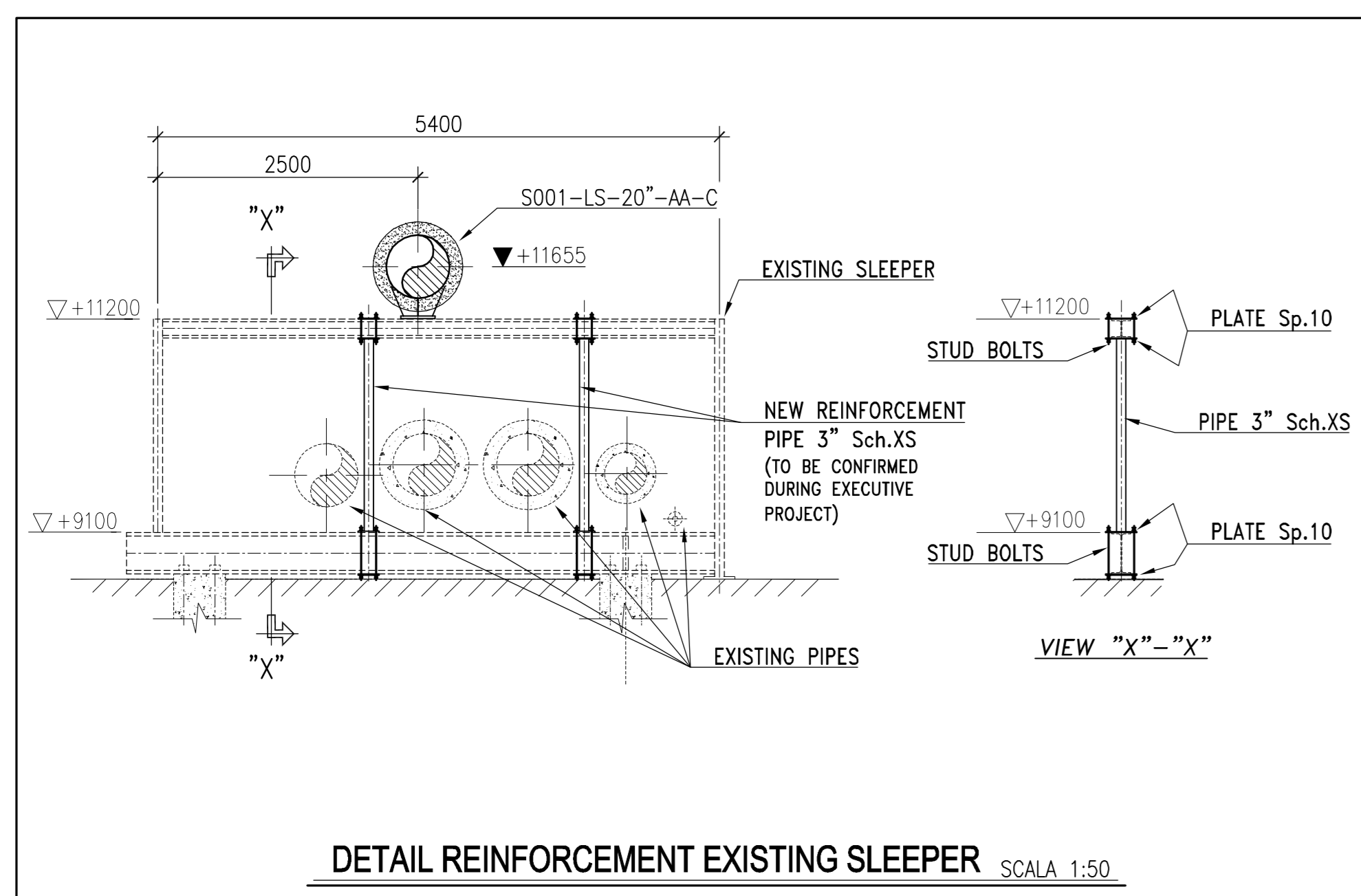
NOTE: EXISTING ELEVATION SLEEPERS OBTAINED FROM DWG R80057



Documenti di Riferimento

Doc. number	Title
ROS2017-560-1261375-001	Key Plan
ROS2017-560-1261375-000	General Layout

Rev.	Desc.	Author	Check	Approved	Date
01	1st ISSUE				
02	2nd ISSUE				
03	3rd ISSUE				



SOLVAY CHIMICA ITALIA S.P.A.

ROSEN 2017 CONVERSION

BASIC DESIGN

MAJOR PIPING LAYOUT

AREA "A2"

TRACTEBEL Engineering

Scale: 1:100

Sheet: 01

Project: P.008561.2004

Project Number: ROS2017 560 1261375 003 01