

GENERAL NOTES

- ALL ELEVATION ARE REFERRED AT EL. $\nabla 0.00 = \nabla 8400$
- ALL DRAINAGE, IN THE LOWER POINT OF THE PIPE LINE, HAVE TO BE COLLECTED TO NEAREST EXISTING SEWER
- ALL DIMENSION ARE SHOWN IN mm
- ∇ SHOWN CENTER OF PIPE OR CENTER LINE EQUIPMENT
- ∇ SHOWN BOTTOM OF PIPE OR GENERIC ELEVATION
- PIPING SUPPORT HAVE TO BE DEFINING DURING DETAIL ENGINEERING
- ROUTING AND DIMENSION HAVE TO BE CHECKED OR CONFIRMED DURING DETAIL ENGINEERING

LEGEND

- P.F. FIXED POINT
- G GUIDE
- A SUPPORT

Typical SUPPORT

Valid for pipe $10'' < \varnothing < 24''$

Typical GUIDE

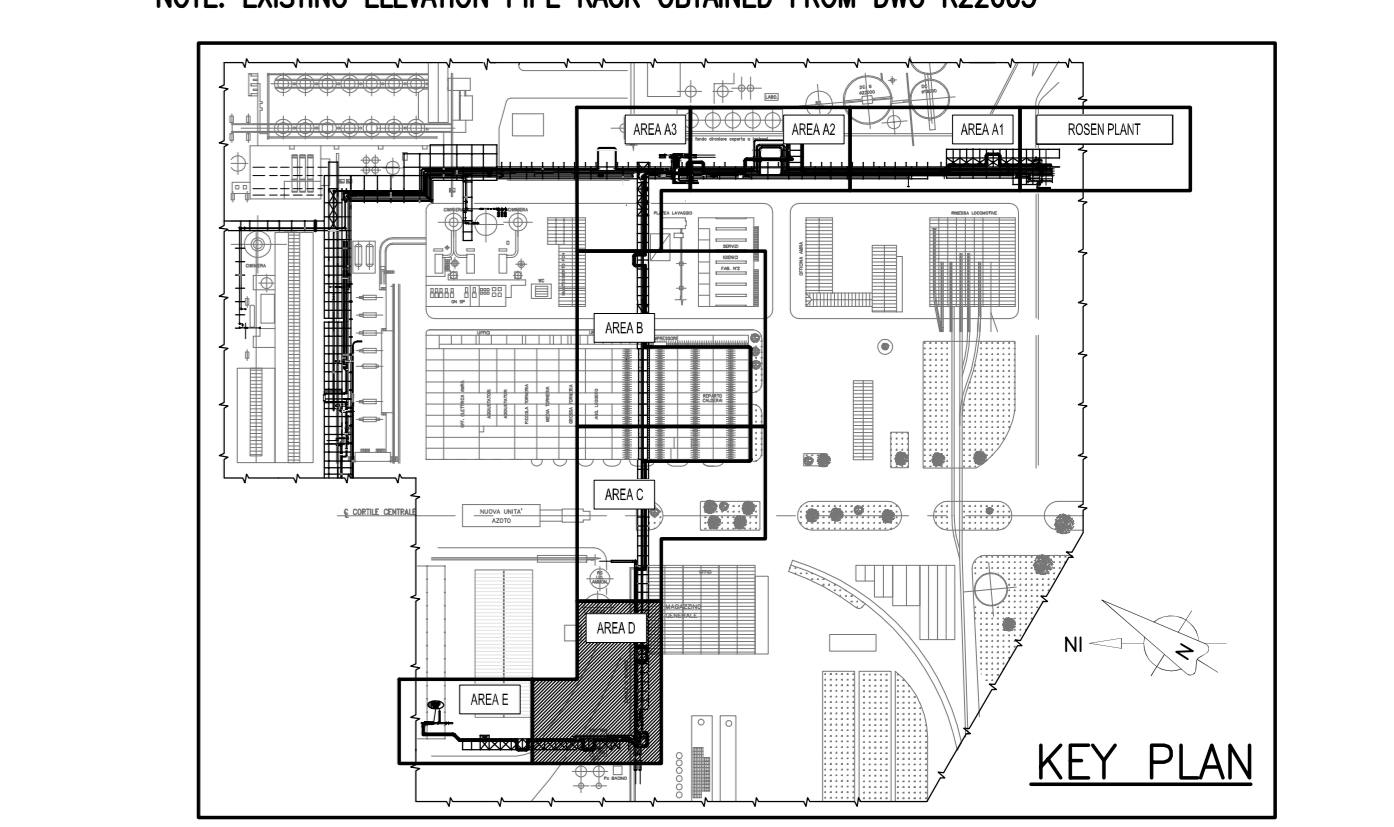
Valid for pipe $10'' < \varnothing < 24''$

Typical FIXED POINT ON EXISTING PIPE RACK

Valid for pipe $10'' < \varnothing < 24''$

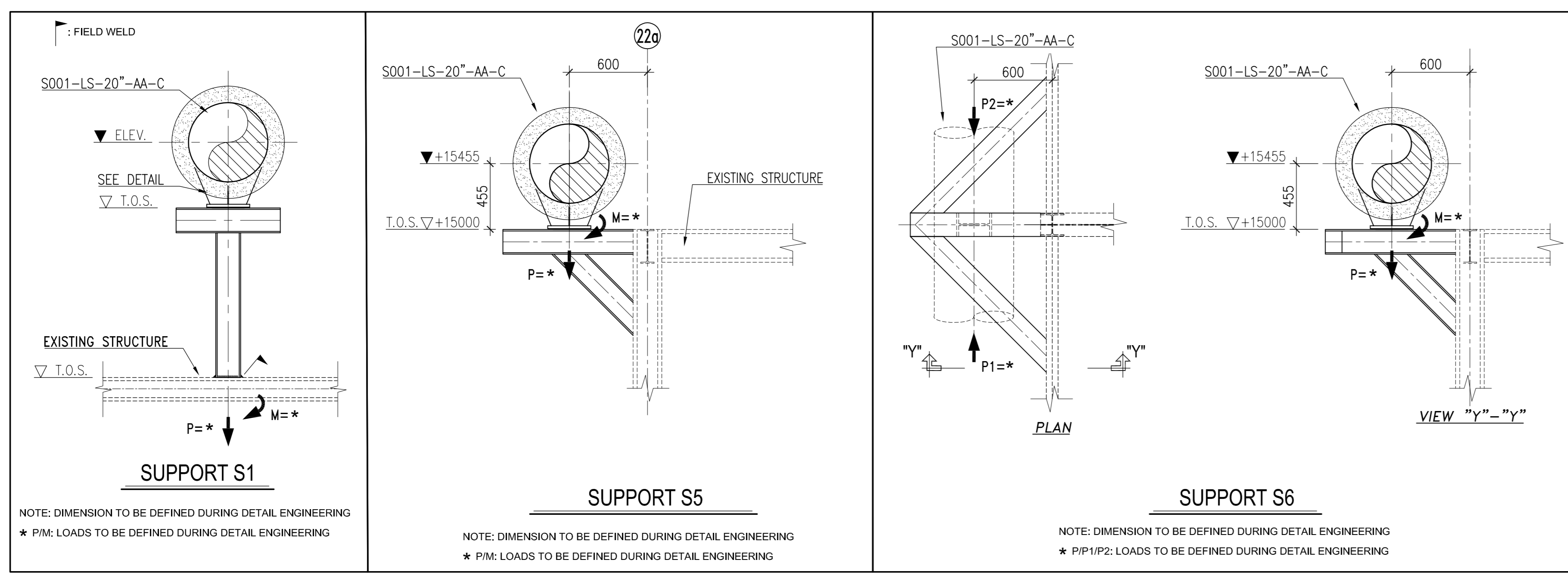
Typical For Drainage Collecting

NOTE: EXISTING ELEVATION PIPE RACK OBTAINED FROM DWG R22605



Documenti di Riferimento	
Doc. number	Titolo
ROS2017-560-1261375-001	Key Plan
ROS2017-560-1261375-000	General Layout

Rev.	Y	M	D	Descrizione	Stato	Disegn.	Check.	Approv.	Validità
01				Revisione					



SOLVAY CHIMICA ITALIA S.P.A.

ROSEN 2017 CONVERSION

BASIC DESIGN

MAJOR PIPING LAYOUT

AREA "D"

TRACTEBEL Engineering

GDF SVEZ

Scale: 1:100

Sheet: 01

Format: A0

Project: P.008561.2004

Project Number: ROS2017 560 1261375 007 01