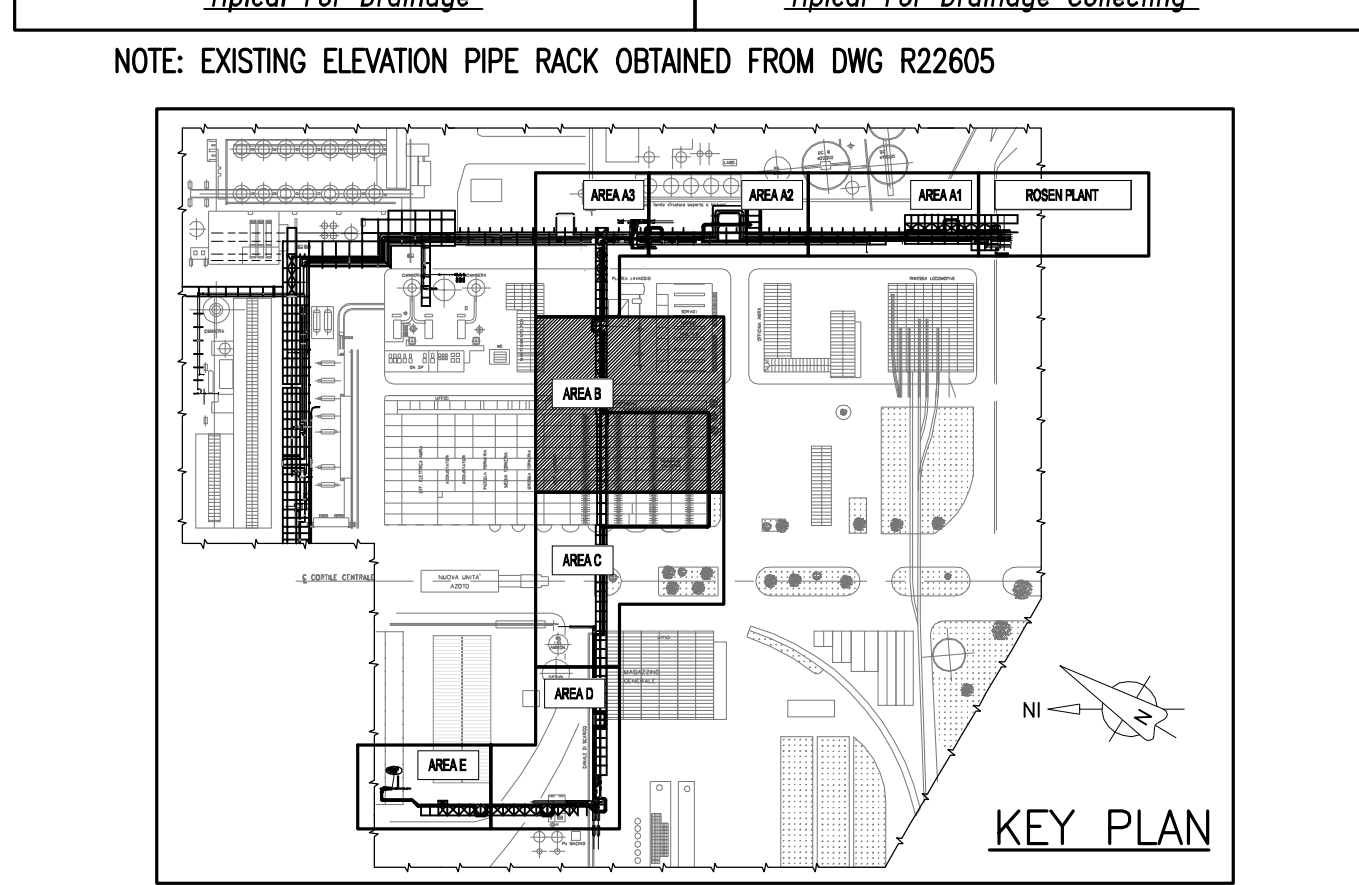
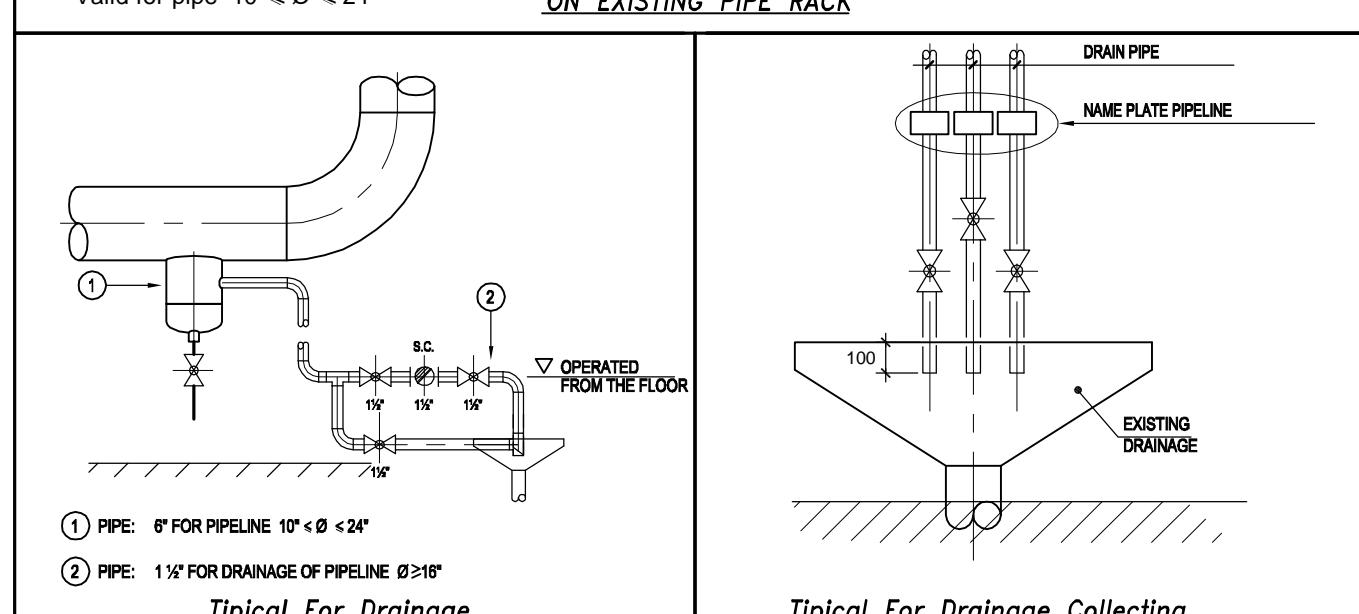
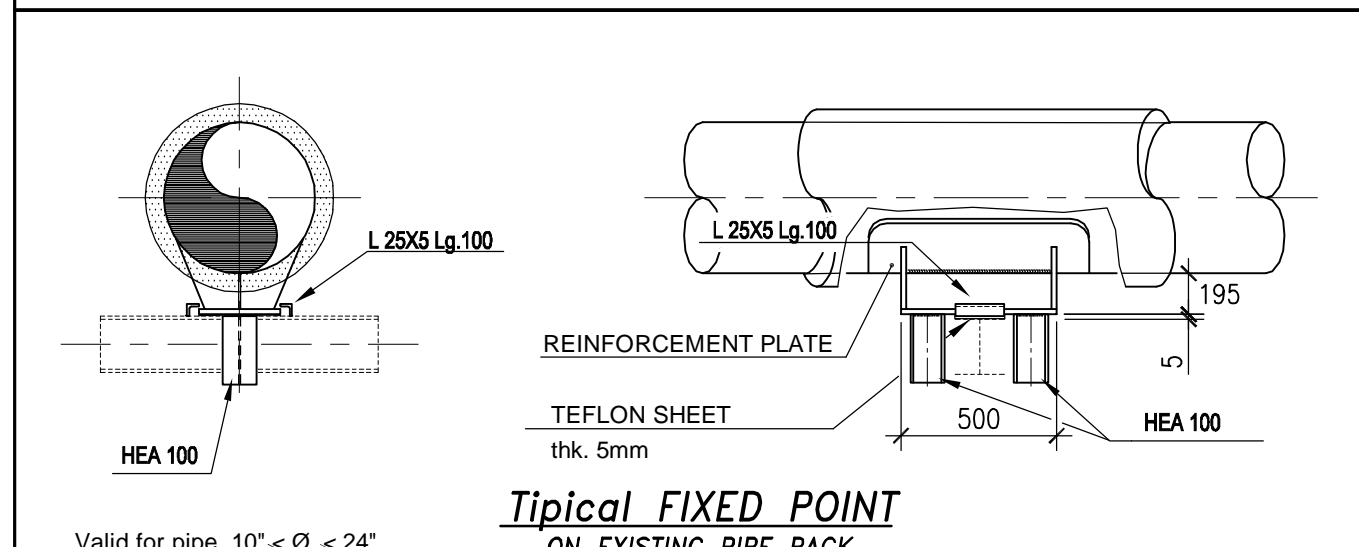
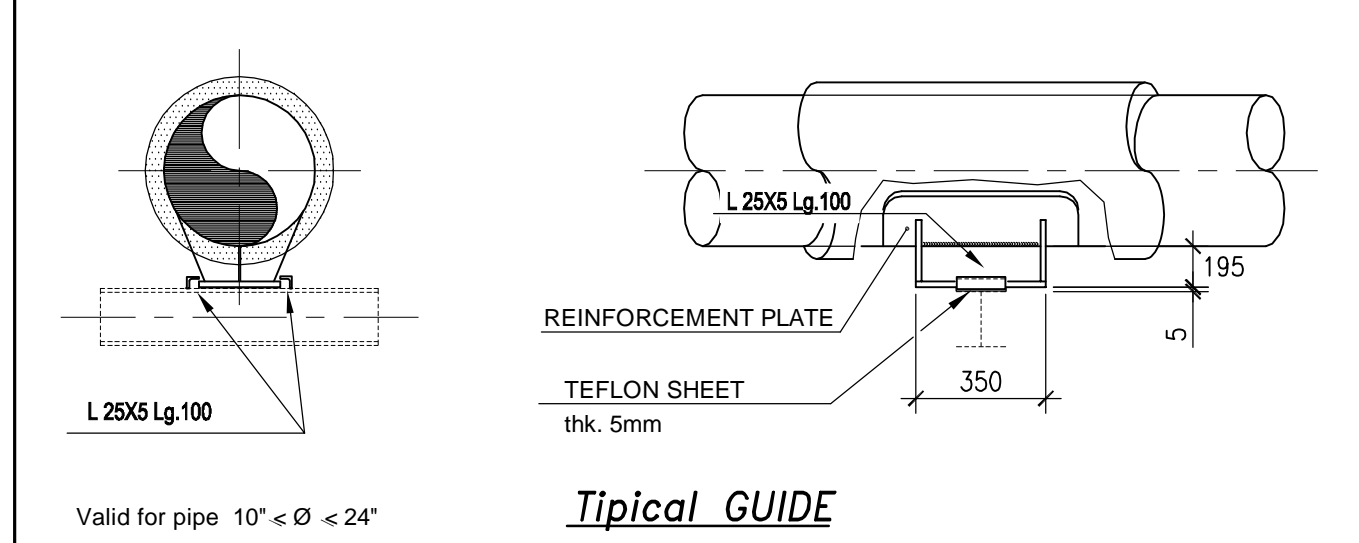
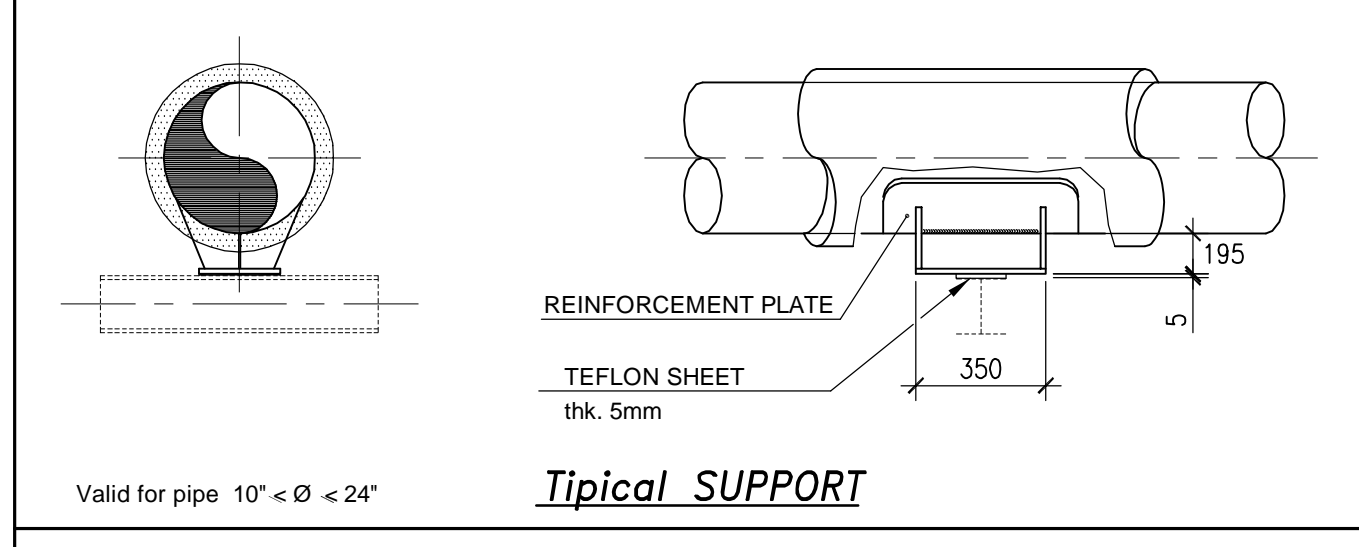


GENERAL NOTES

- ALL ELEVATION ARE REFERRED AT EL. $\nabla 0.00 = \nabla 84.00$
- ALL DRAINAGE IN THE LOWER POINT OF THE PIPE LINE, HAVE TO BE COLLECTED TO NEAREST EXISTING SEWER
- ALL DIMENSION ARE SHOWN IN mm
- ∇ SHOWN CENTER OF PIPE OR CENTER LINE EQUIPMENT
- ∇ SHOWN BOTTOM OF PIPE OR GENERIC ELEVATION
- PIPING SUPPORT HAVE TO BE DEFINING DURING DETAIL ENGINEERING
- ROUTING AND DIMENSION HAVE TO BE CHECKED OR CONFIRMED DURING DETAIL ENGINEERING

LEGEND

- X P.F. FIXED POINT
- G GUIDE
- A SUPPORT



Documenti di Riferimento	
Doc. number	Titolo
ROS2017-560-1261375-001	Key Plan
ROS2017-560-1261375-000	General Layout

CD	CA	CC	CE	CF	CG	CH	CI	CJ	CK	CL	CM	CN	CO	CP	CQ	CR	CS	CT	CU	CV	CW	CX	CY	CZ

SOLVAY SOLVAY CHIMICA ITALIA S.P.A.

ROSEN 2017 CONVERSION

BASIC DESIGN
MAJOR PIPING LAYOUT
AREA "B"

Doc. number: ROS2017-560-1261375-001
Scale: 1:100
Date: 01/2017

Project: P.008561.2004
Drawing number: ROS2017-560-1261375-005-01

TRACTEBEL Engineering