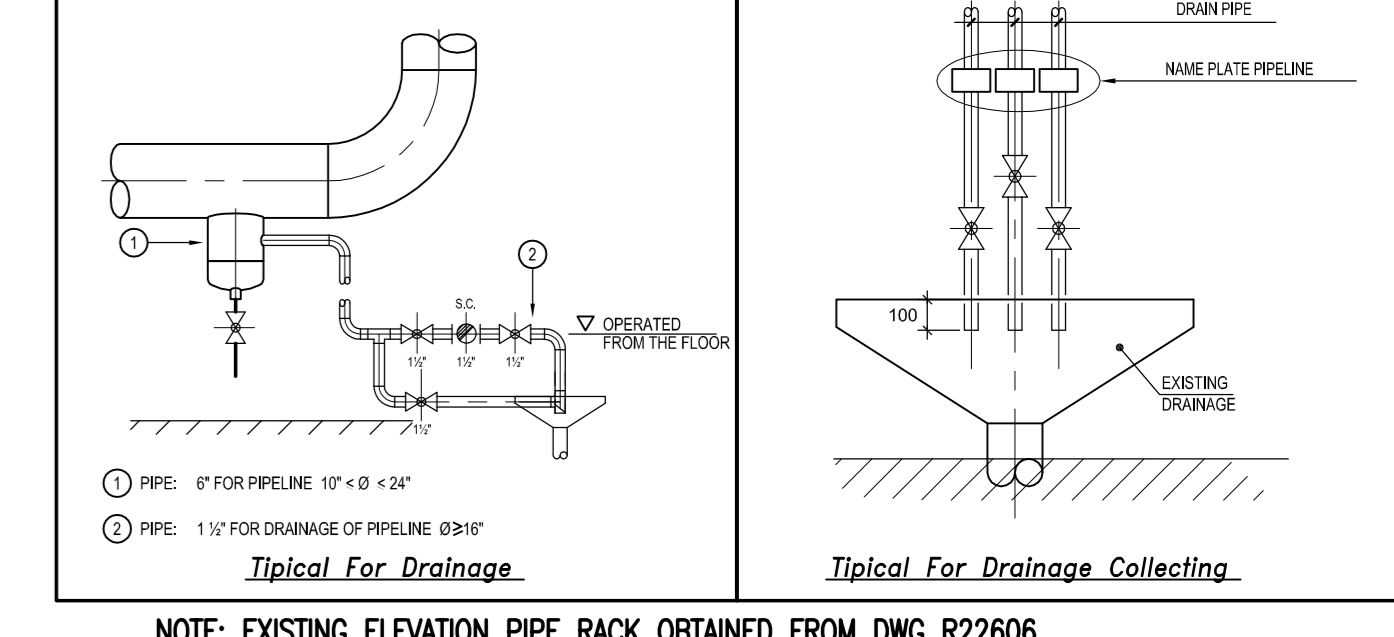
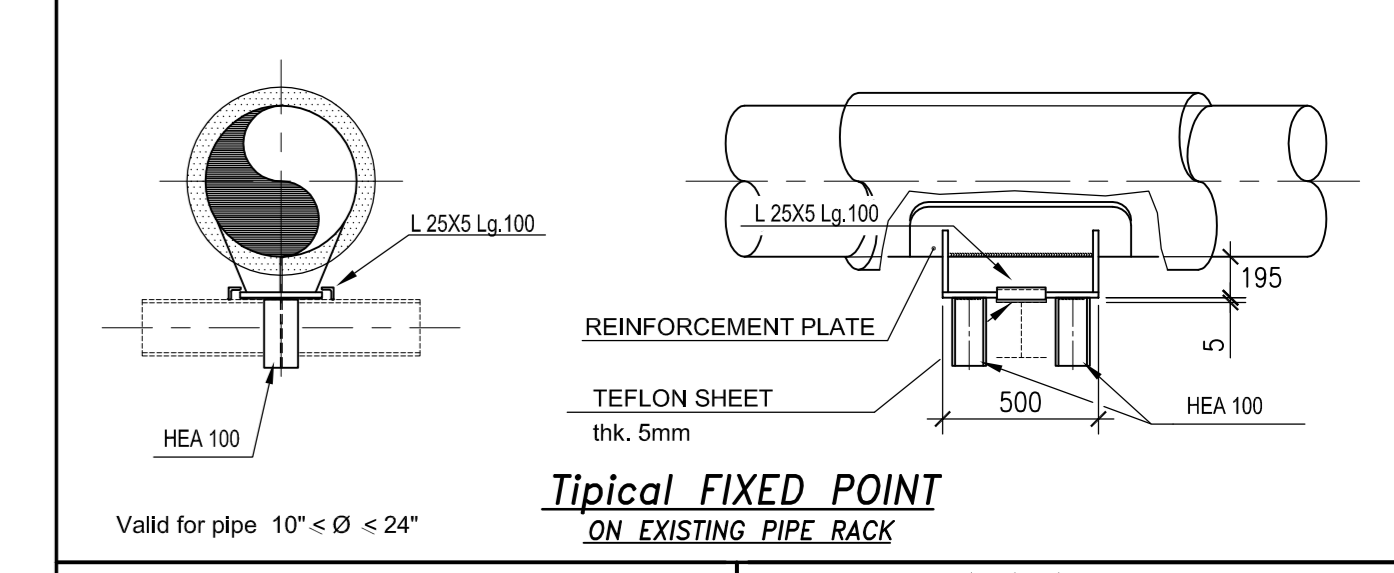
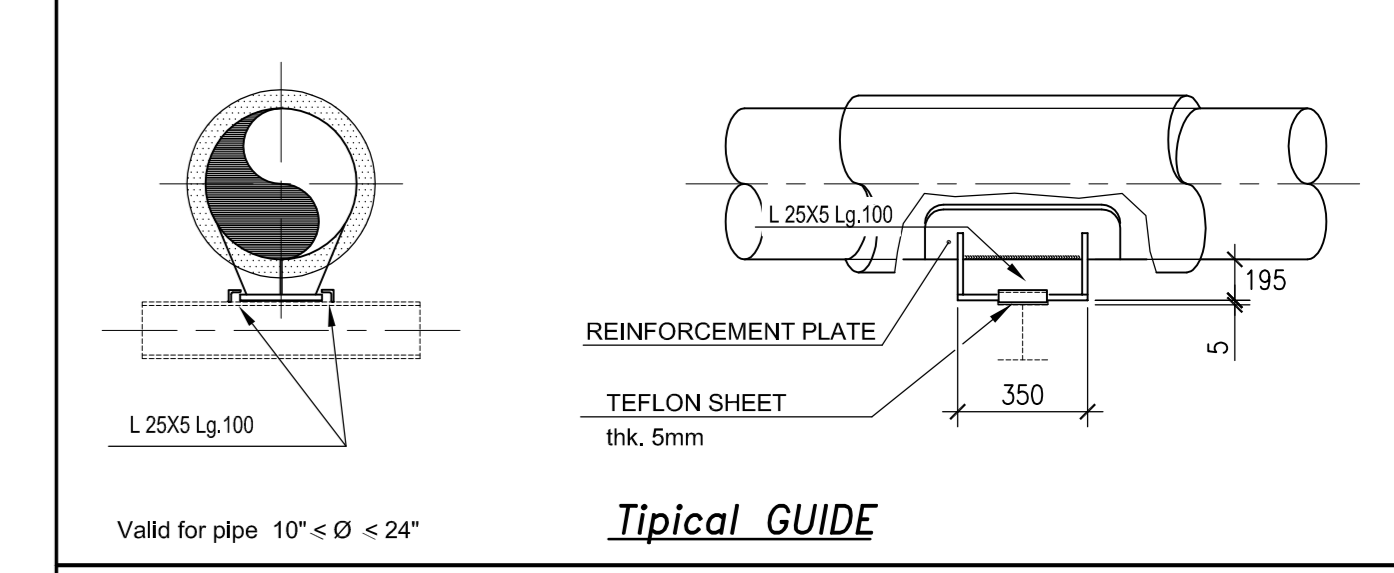
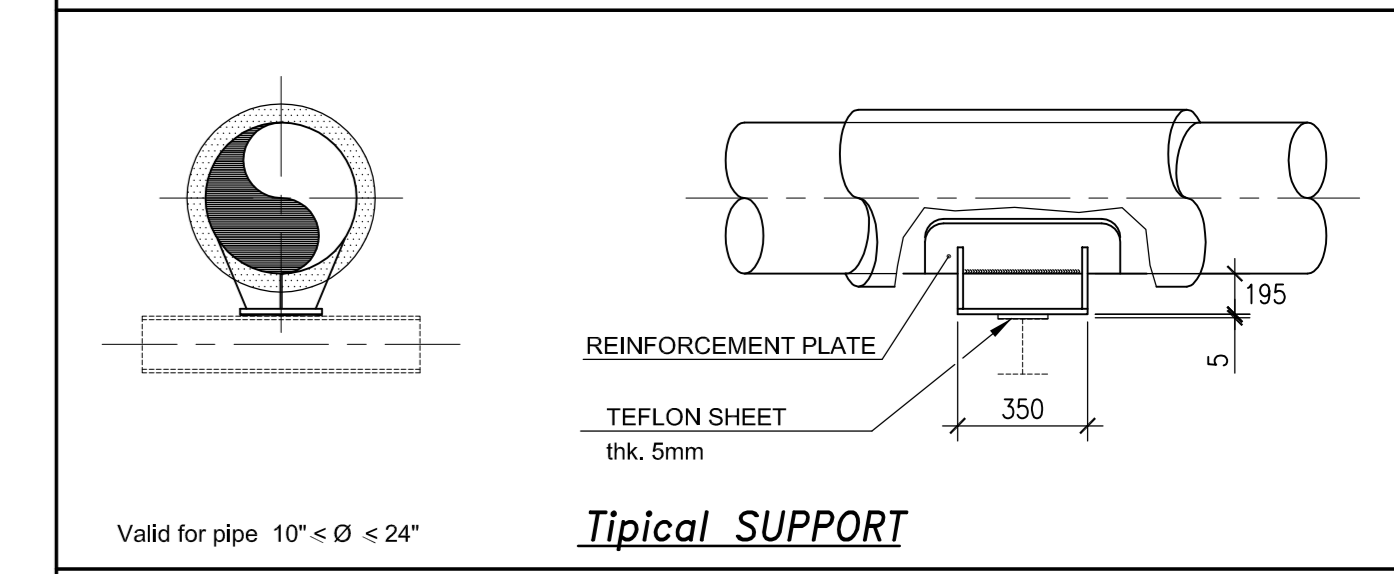


GENERAL NOTES

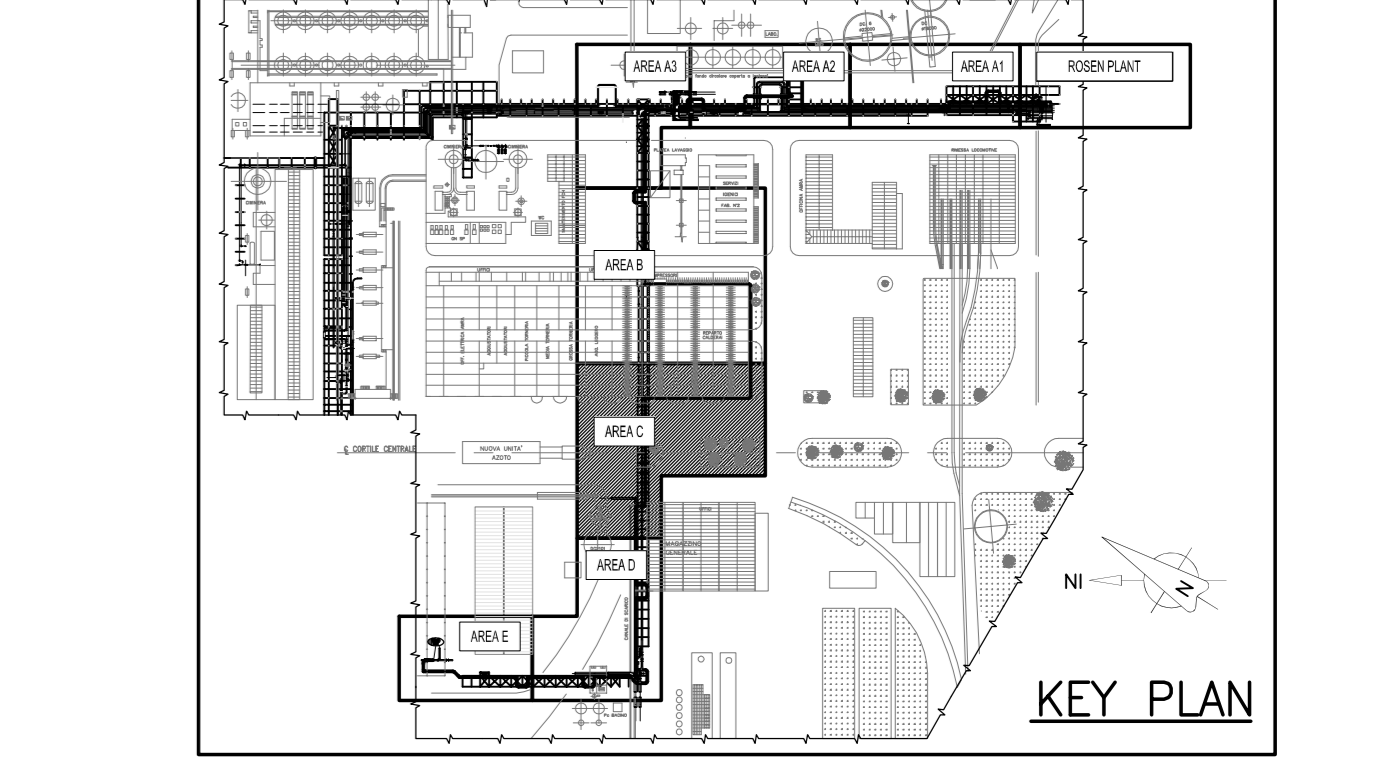
- ALL ELEVATION ARE REFERRED AT EL. $\nabla 0.00 = \nabla 8400$
- ALL DRAINAGE, IN THE LOWER POINT OF THE PIPE LINE, HAVE TO BE COLLECTED TO NEAREST EXISTING SEWER
- ALL DIMENSION ARE SHOWN IN mm
- ∇ SHOWN CENTER OF PIPE OR CENTER LINE EQUIPMENT
- ∇ SHOWN BOTTOM OF PIPE OR GENERIC ELEVATION
- PIPING SUPPORT HAVE TO BE DEFINING DURING DETAIL ENGINEERING
- ROUTING AND DIMENSION HAVE TO BE CHECKED OR CONFIRMED DURING DETAIL ENGINEERING

LEGEND

- ✕ P.F. FIXED POINT
- G GUIDE
- A SUPPORT



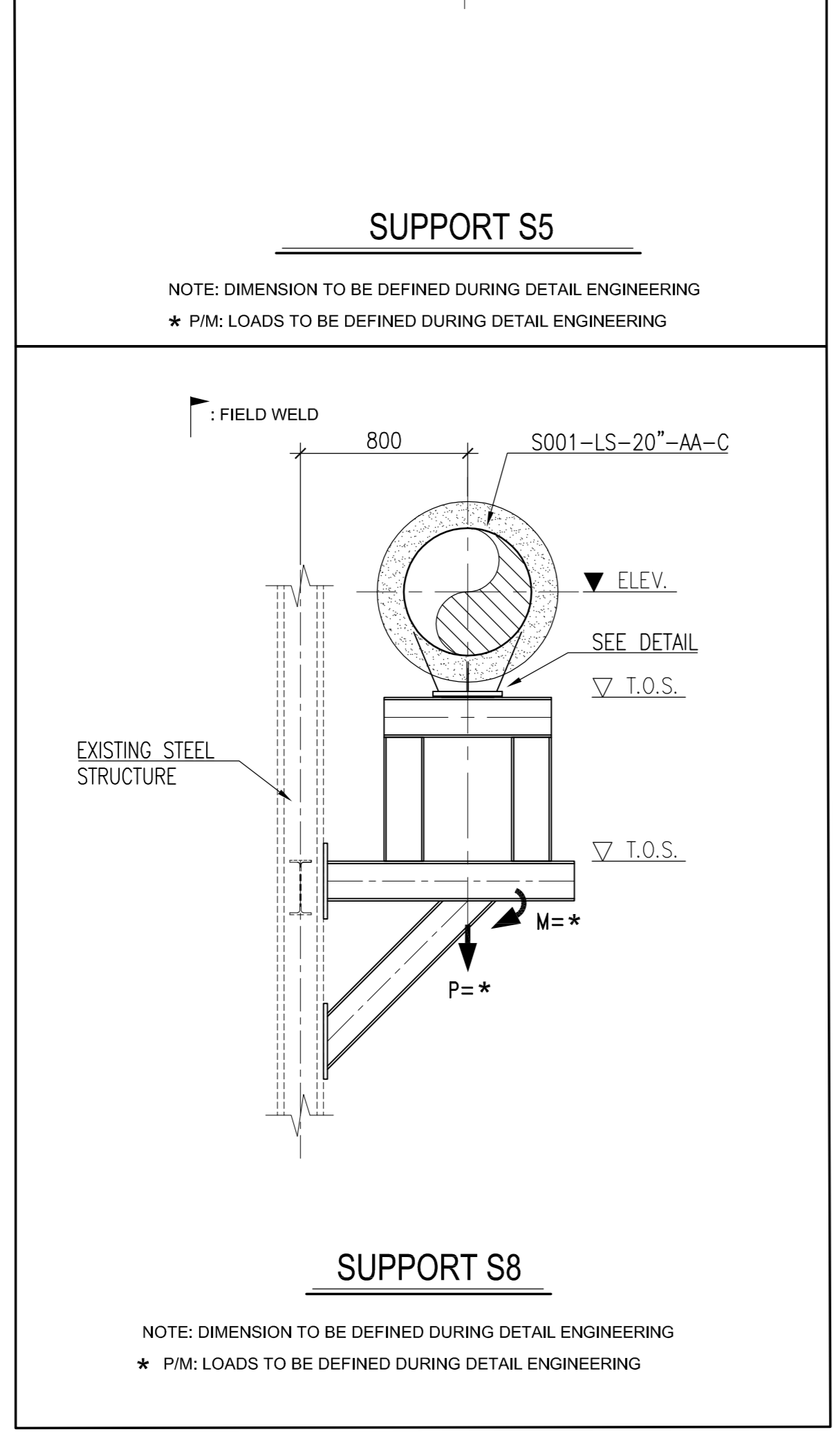
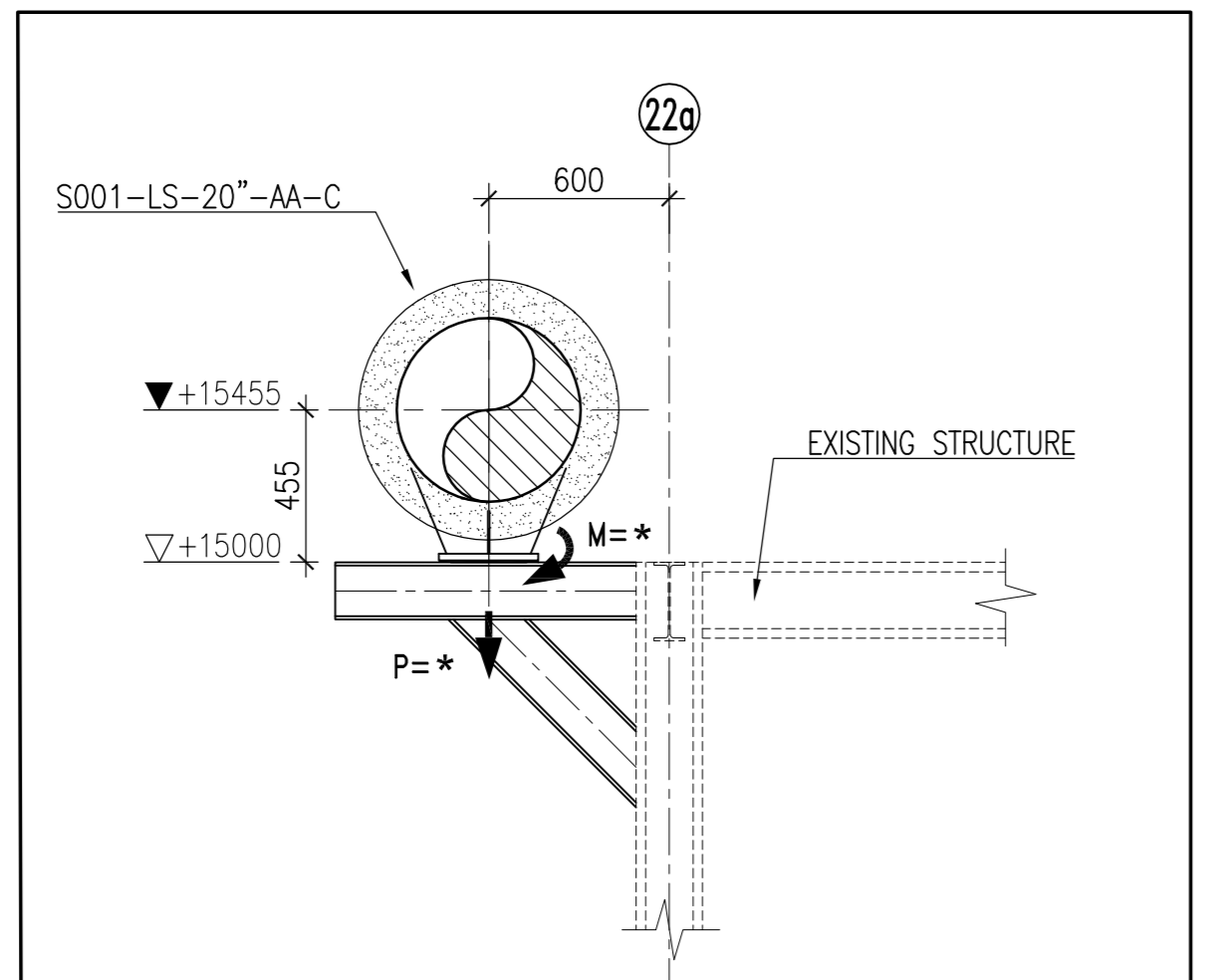
NOTE: EXISTING ELEVATION PIPE RACK OBTAINED FROM DWG R22606



Documenti di Riferimento

Doc. number	Titolo
ROS2017-560-1261375-001	Key Plan
ROS2017-560-1261375-000	General Layout

Rev.	Y	M	D	Descr.	Stato	Disegn.	Check.	Approv.	Validat.
01				Revisione					



SOLVAY CHIMICA ITALIA S.P.A.

ROSEN 2017 CONVERSION

BASIC DESIGN

MAJOR PIPING LAYOUT

AREA "C"

TRACTEBEL Engineering
GDF SVZ

Scale: 1:100
Sheet: 01
Total: A0

Project Number: P.008561.2004
Project Name: ROS2017-560-1261375-000
Date: 006 01