

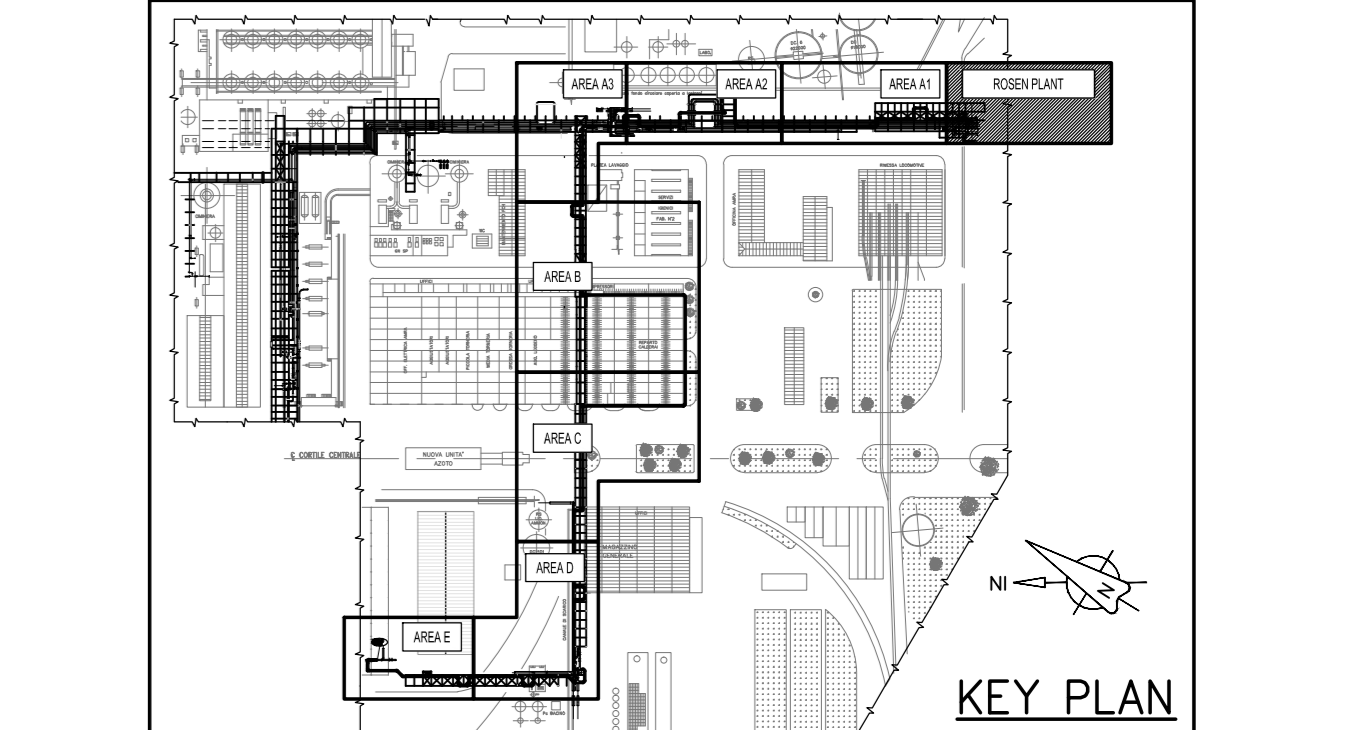
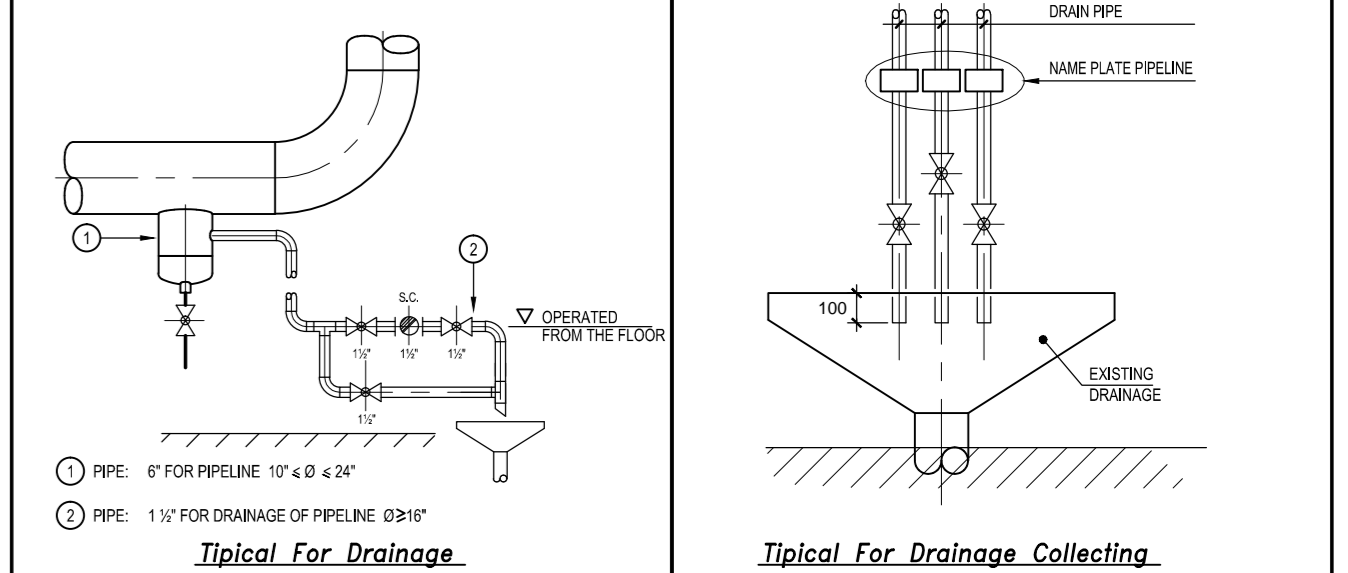
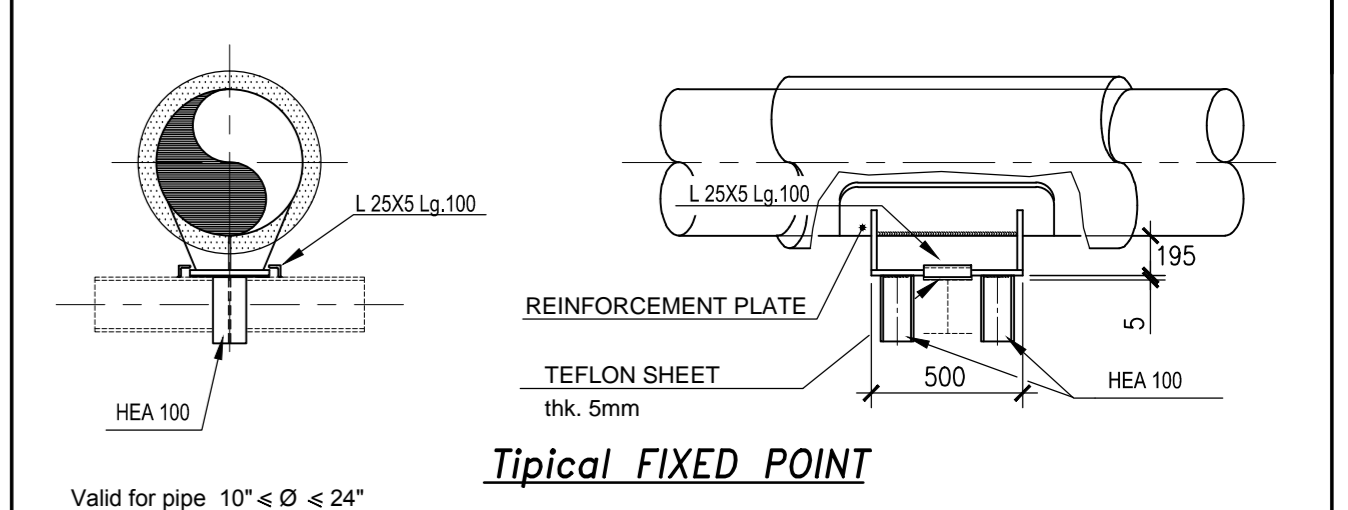
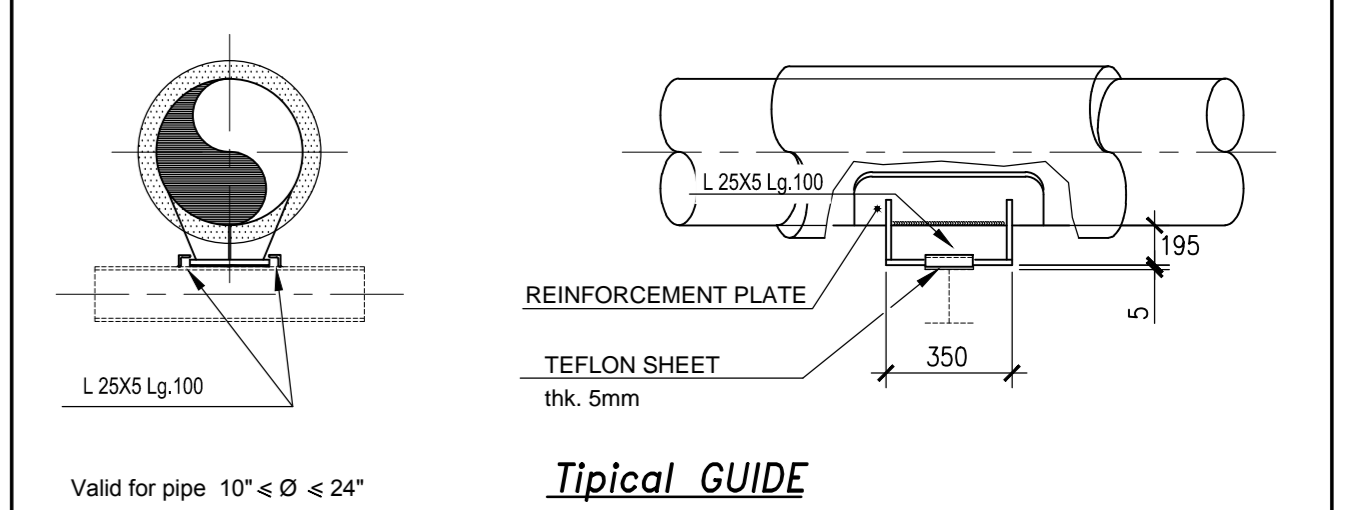
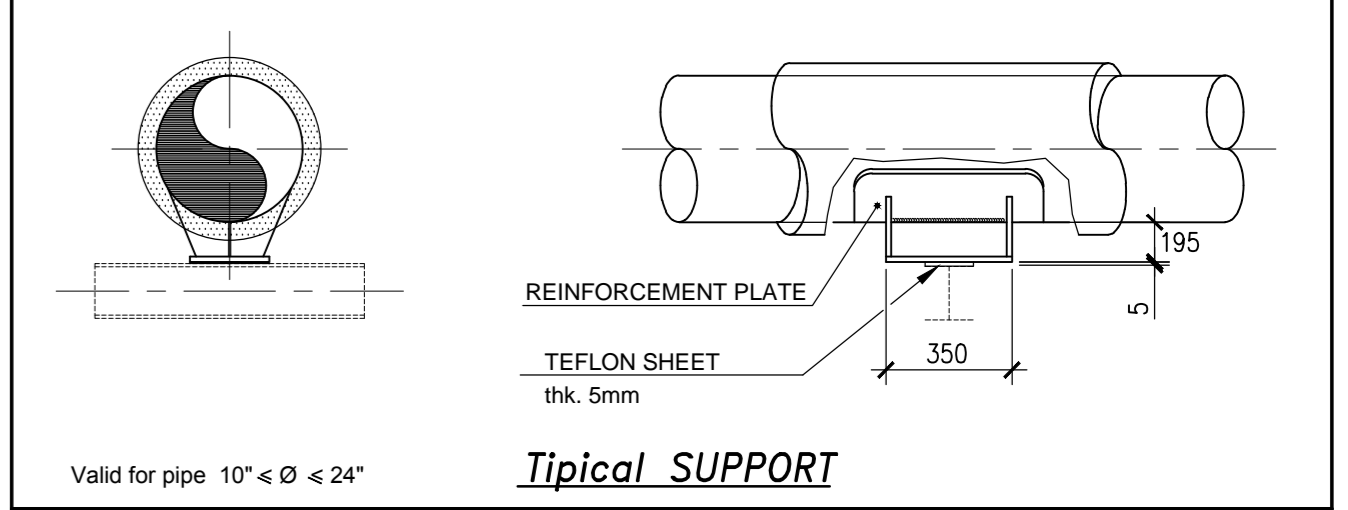
CONTINUE ON DWG. N° ROS2017-560-1261375-010

**GENERAL NOTES**

- ALL ELEVATION ARE REFERRED AT EL.  $\nabla 0.00 = \nabla 8850$
- ALL DRAINAGE, IN THE LOWER POINT OF THE PIPE LINE, HAVE TO BE COLLECTED TO NEAREST EXISTING SEWER
- ALL DIMENSION ARE SHOWN IN mm
- $\nabla$  INDICATE CENTER LINE PIPE OR CENTER LINE EQUIPMENT
- $\nabla$  INDICATE BOTTOM OF PIPE OR GENERIC ELEVATION
- PIPING SUPPORT HAVE TO BE DEFINING DURING DETAIL ENGINEERING
- ROUTING AND DIMENSION HAVE TO BE CHECKED OR CONFIRMED DURING DETAIL ENGINEERING

**LEGEND**

- ✕ P.F. FIXED POINT
- G GUIDE
- A SUPPORT

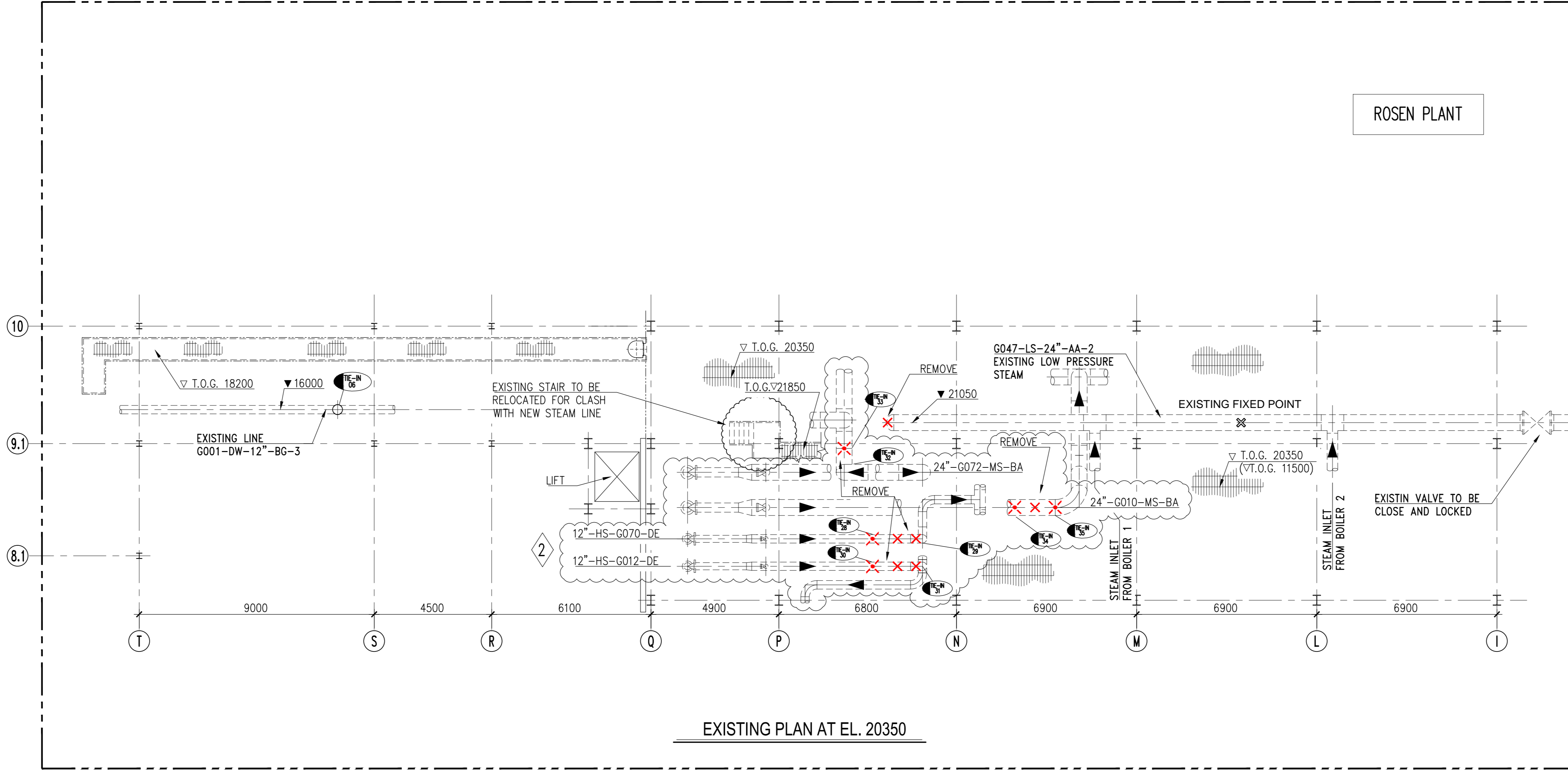
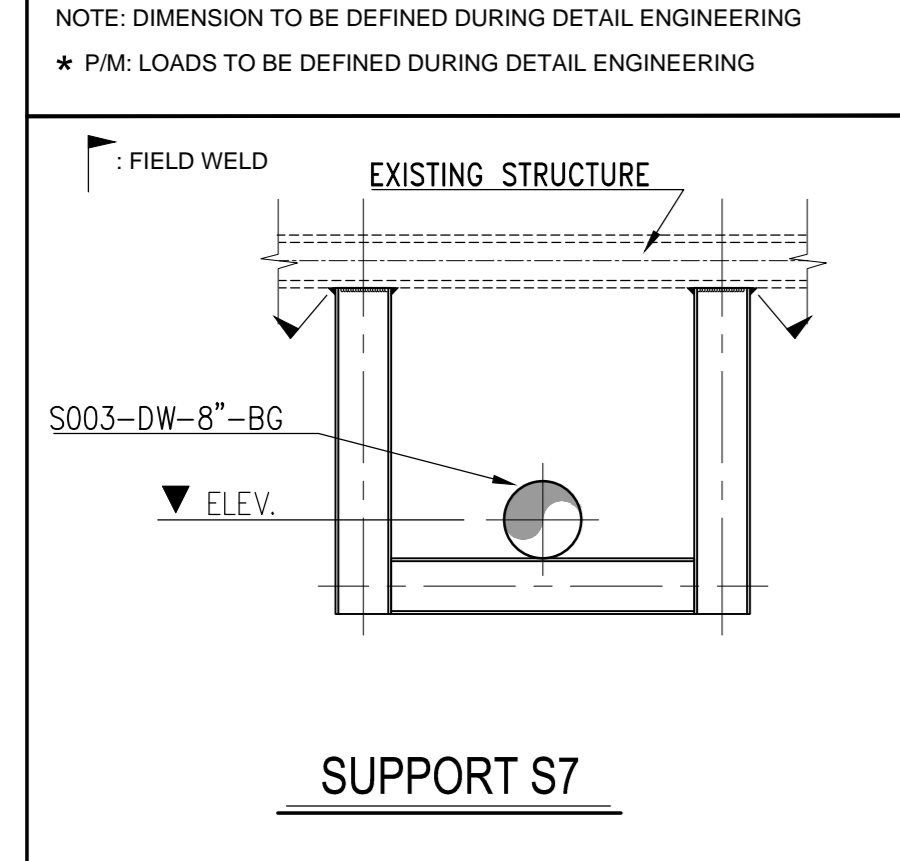
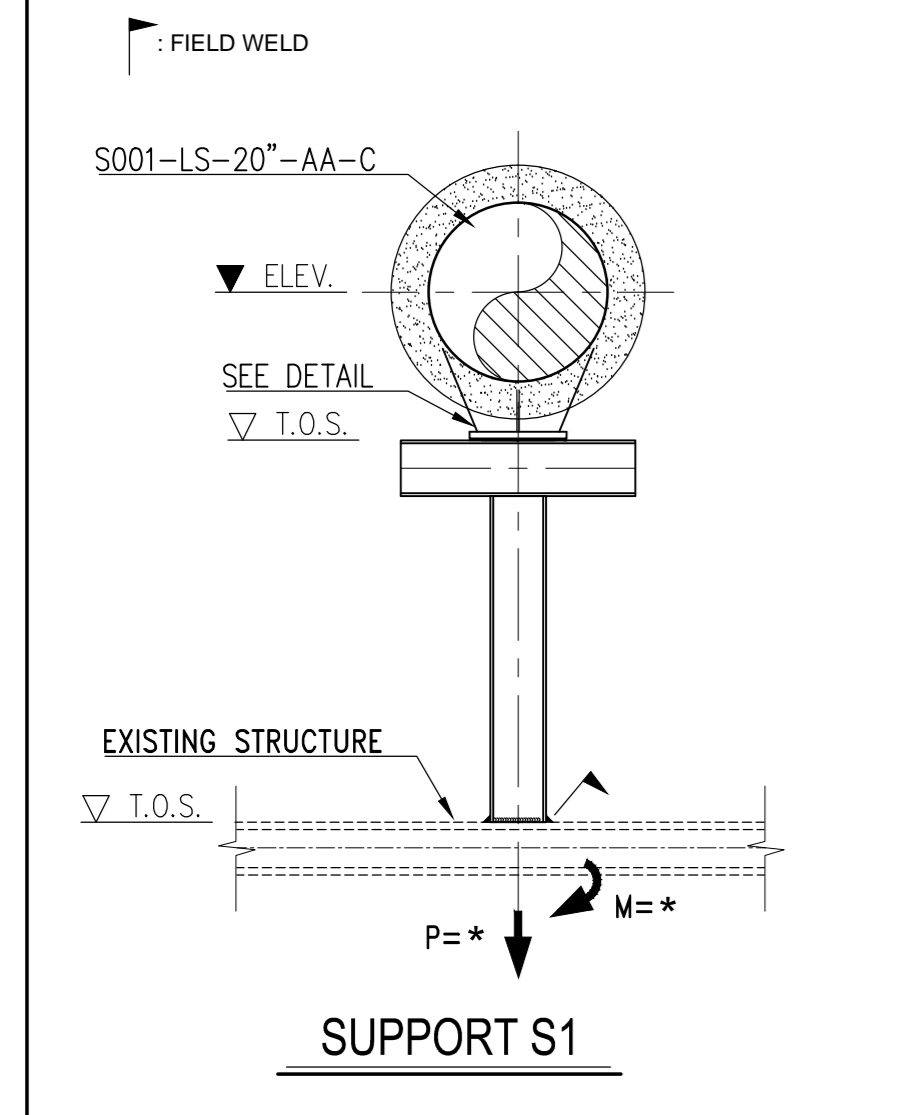
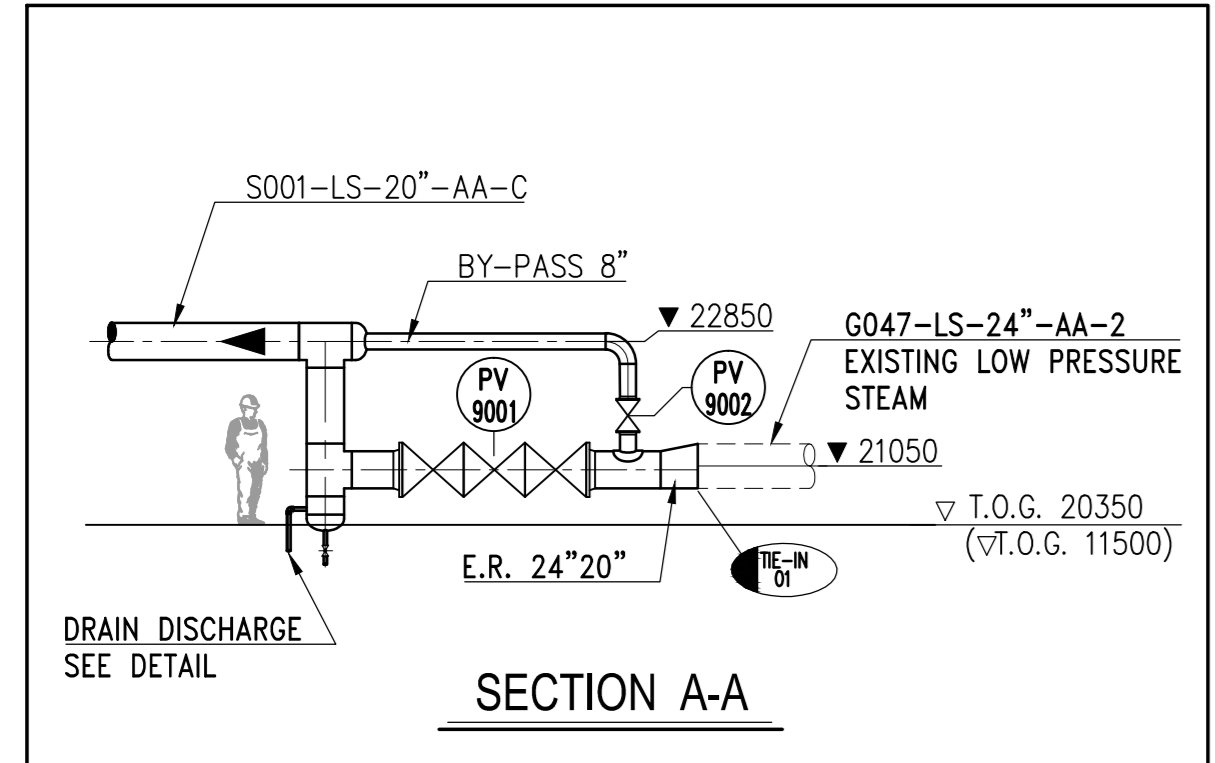


**Reference Drawings**

Doc. number	Title
ROS2017-560-1261375-001	Key Plan
ROS2017-560-1261375-000	General Layout
ROS2017-560-1261375-000	Steam Lines - Isometric Details

Note: DWG Obtained by Doc. Ansaldo N. 95120076129 Fig. 5/8

Rev.	Desc.	Author	Check	Approv.	Validated
01	1st ISSUE				
02	2nd ISSUE				
03	3rd ISSUE				
04	4th ISSUE				
05	5th ISSUE				
06	6th ISSUE				
07	7th ISSUE				
08	8th ISSUE				
09	9th ISSUE				
10	10th ISSUE				



**SOLVAY CHIMICA ITALIA S.P.A.**

**ROSEN 2017 CONVERSION**

**BASIC DESIGN**

**ROSEN PLANT- MAJOR PIPING LAYOUT**

**NEW STEAM LINE AND DEMI WATER el. +20350**

**TRACTEBEL Engineering**

Project Code: ROS2017  
Type: 560  
Running Number: 1261375  
Sheet: 009  
Rev.: 02

Scale: 1:100  
No. Sheet: 01  
Size: A0