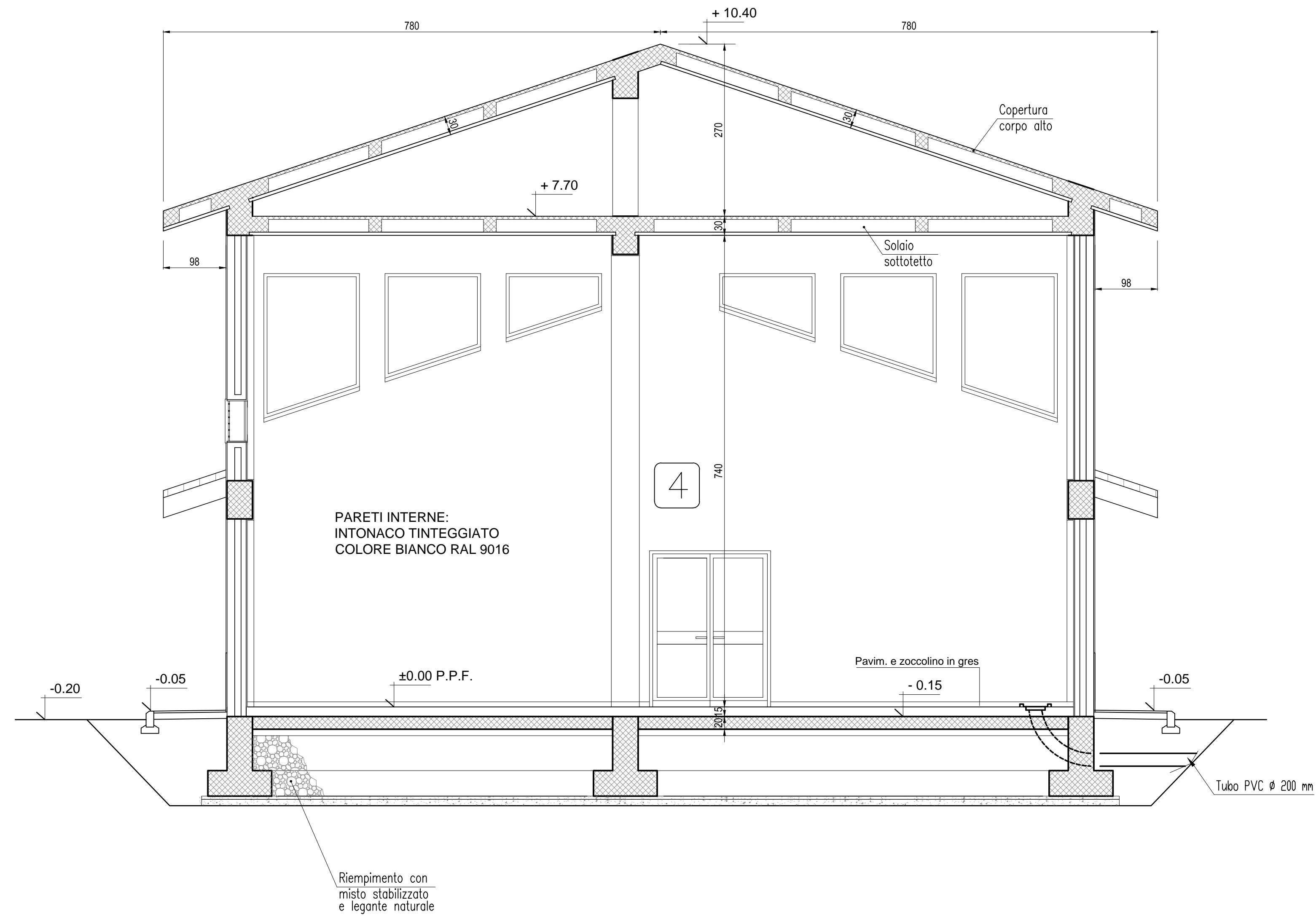
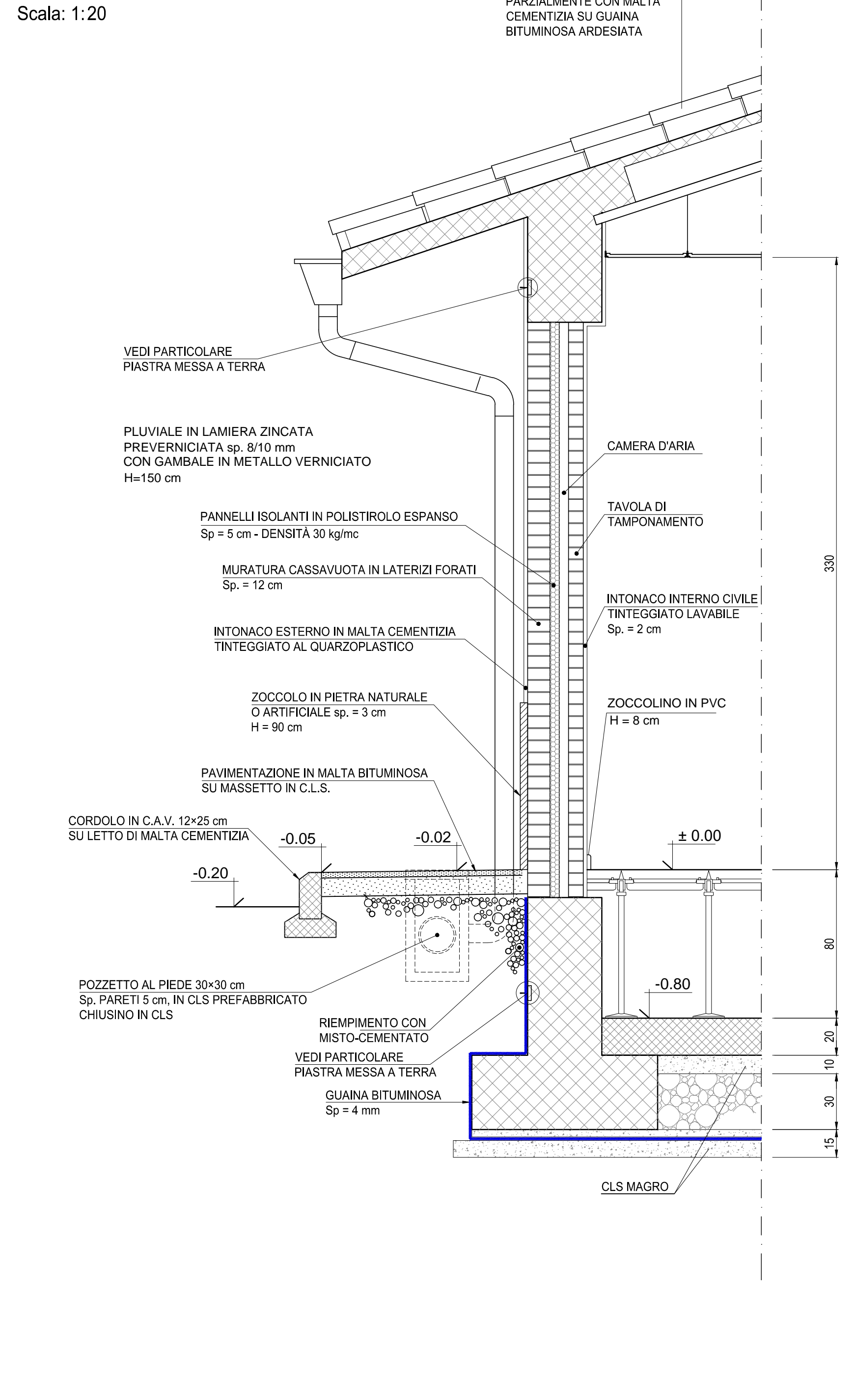


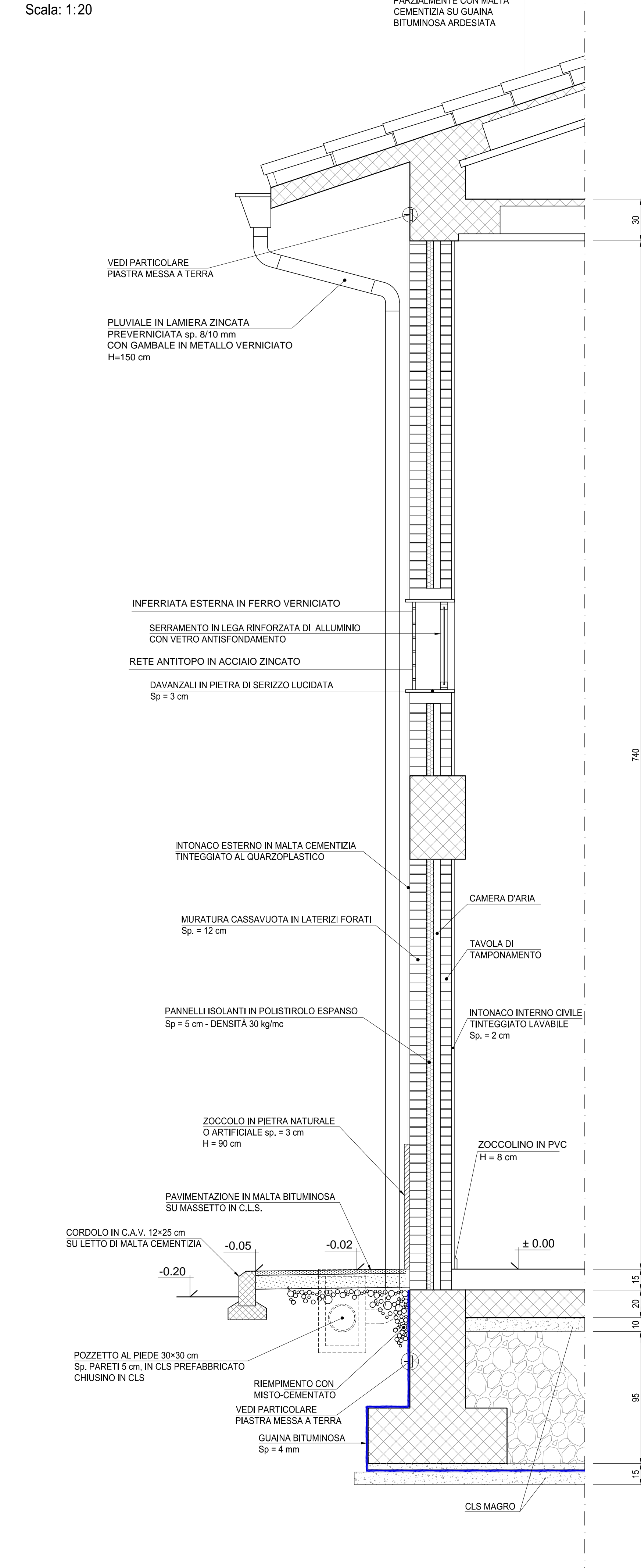
SEZIONE A-A
Scala: 1:50



PARTICOLARE DI FACCIATA EDIFICIO PARTE BASSA
Scala: 1:20

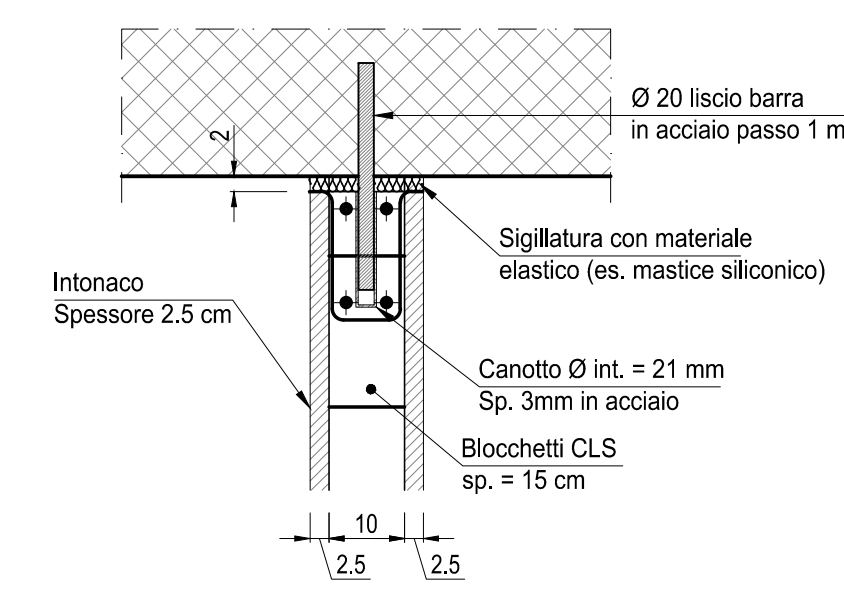


PARTICOLARE DI FACCIATA EDIFICIO PARTE ALTA
Scala: 1:20

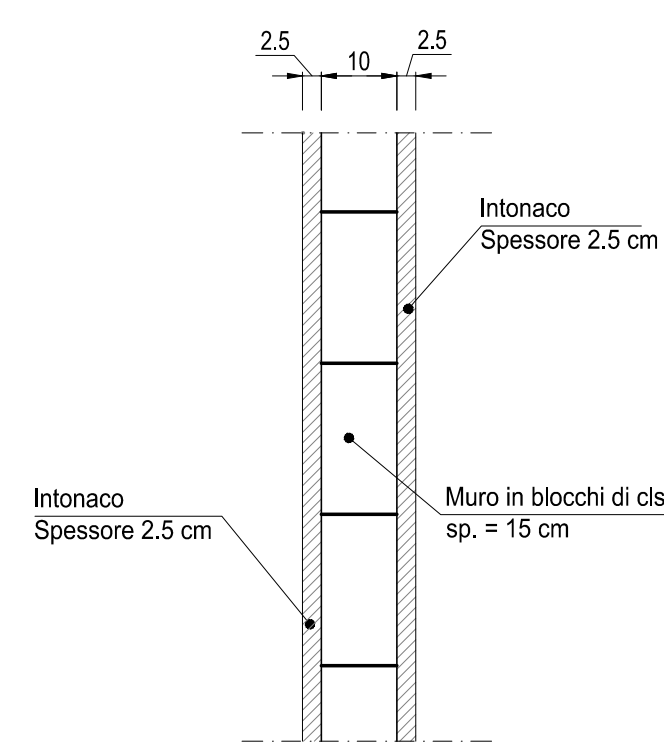


MURI INTERNI DI TAMPONAMENTO
Scala: 1:10

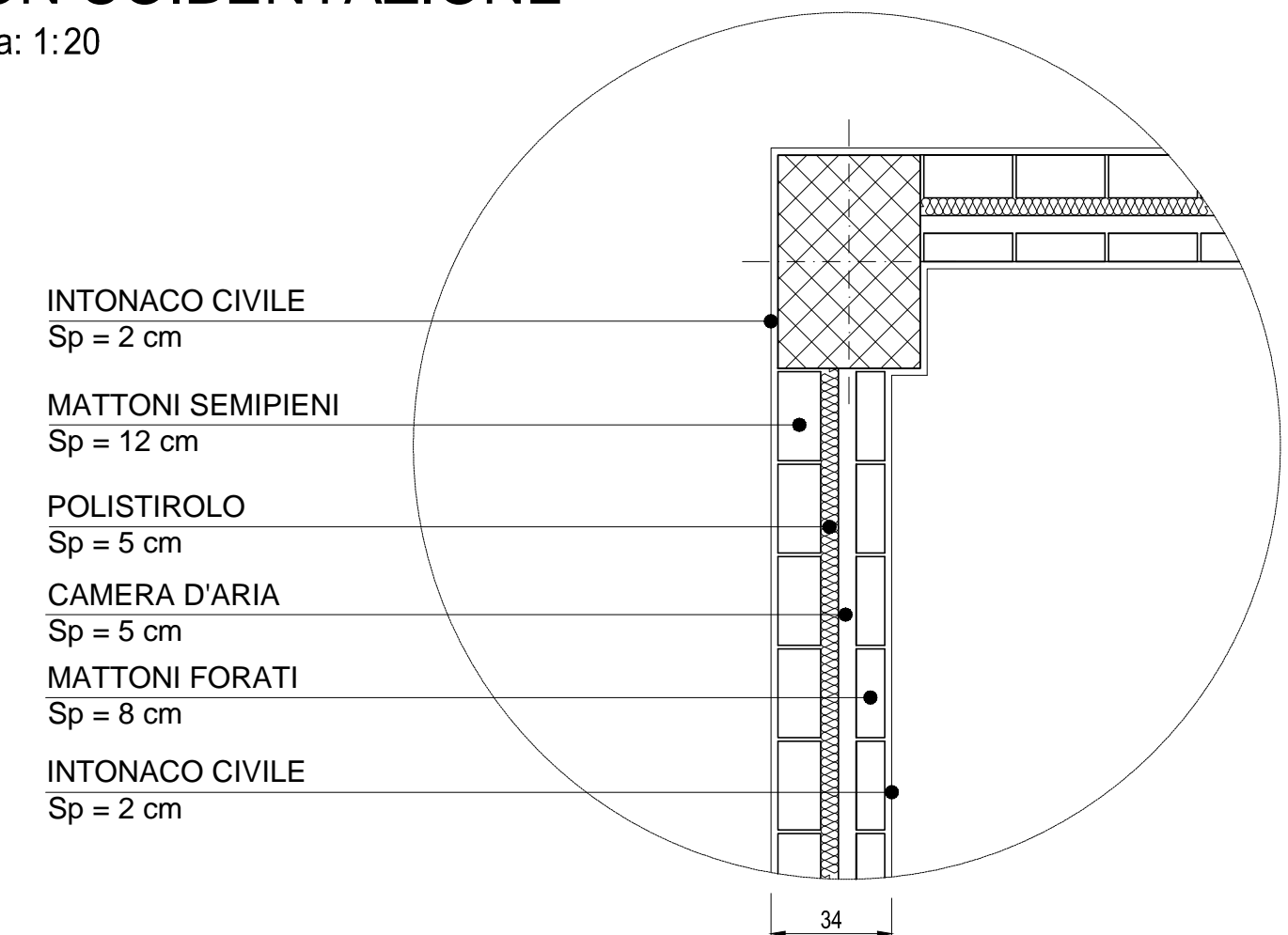
TESTA MURI DI TAMPONAMENTO



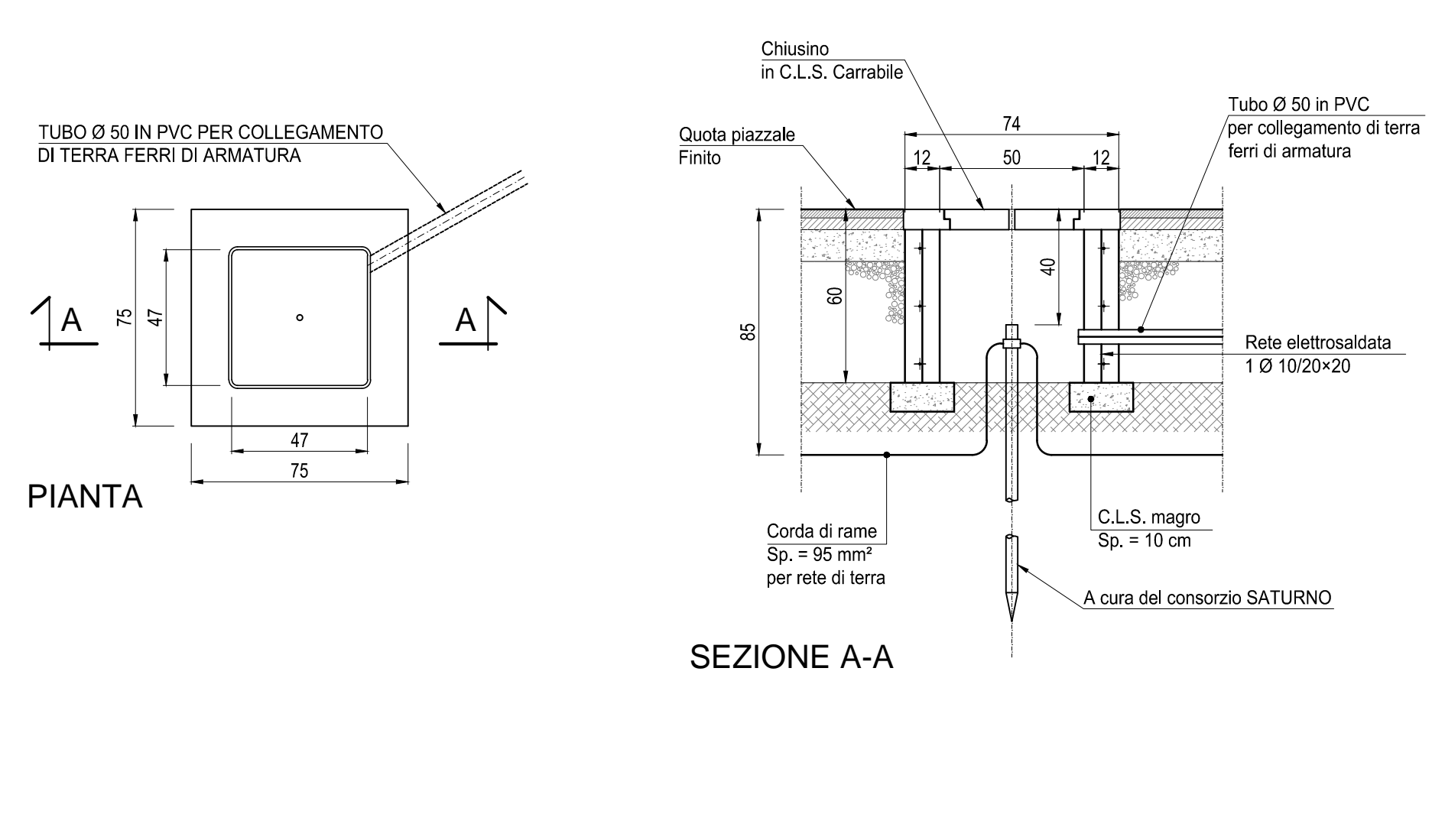
SEZIONE TIPOLOGICA



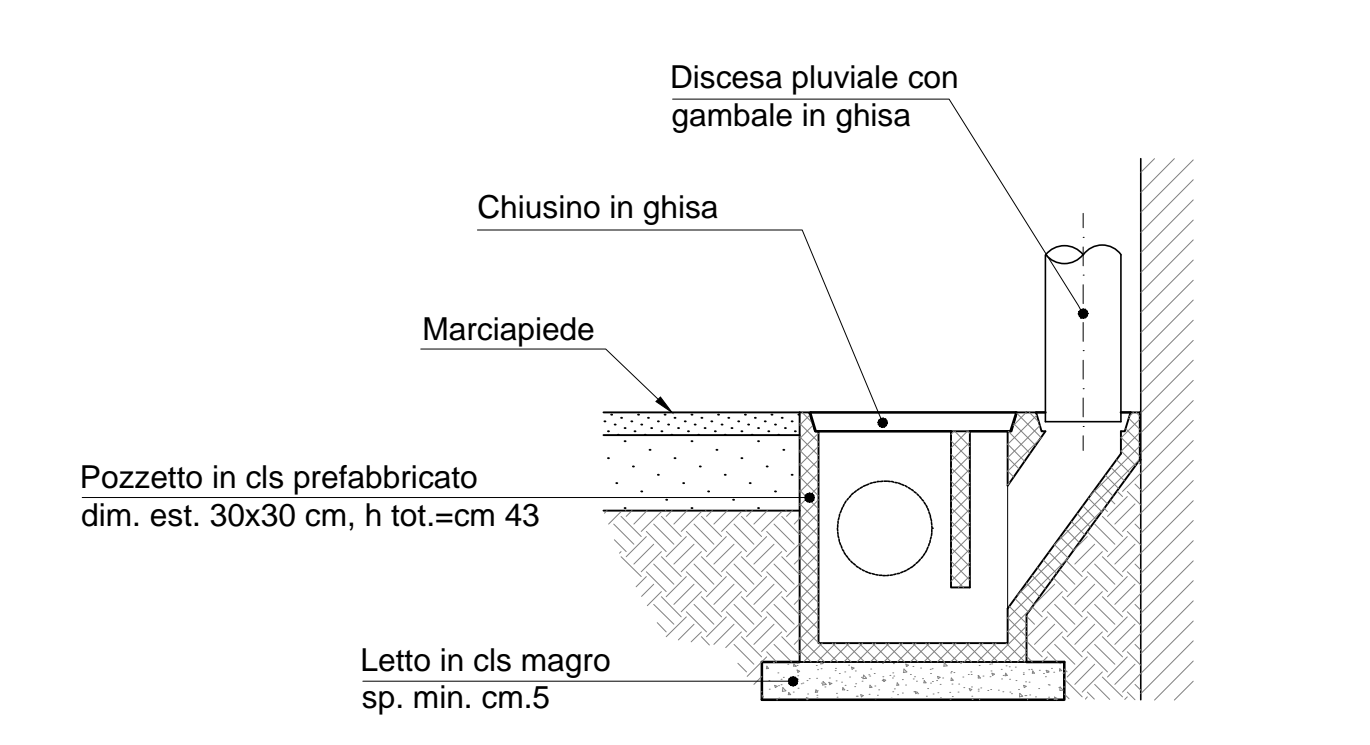
PARTICOLARE PIANA STRATIGRAFIA PARETE CON COIBENTAZIONE
Scala: 1:20



POZZETTI RETE DI TERRA DI SEZIONAMENTO
Scala: 1:20



PARTICOLARE POZZETTO PIÈ DI PLUVIALE
Scala: 1:10



NOTE
Tutti i divisori interni avranno telaio "resistente" come richiesto dal p.to C.6.4, del D.M. 16.02.1996.
(I pannelli divisori interni se hanno altezza superiore a 4 m o sviluppano una superficie superiore a 20 m², debbono essere collegati alle strutture superiori e inferiori mediante nervature verticali disposte a interasse minore di 3,0 m.....).

NOTA
- Tutte le dimensioni sono espresse in cm
- Tutte le quote altimetriche sono espresse in metri

COMMITTENTE: **RFI** RETE FERROVIARIA ITALIANA GRUPPO FERROVIE DELLO STATO ITALIANE

ALTA Sorveglianza: **ITALFERR** GRUPPO FERROVIE DELLO STATO ITALIANE

GENERAL CONTRACTOR: **COCIV** Gruppo Costruzioni Progetti Viabilità

INFRASTRUTTURE FERROVIARIE STRATEGICHE DEFINITE DALLA LEGGE OBIETTIVO N.443/01
TRATTA A.V./A.C. TERZO VALICO DEI GIOVI
PROGETTO ESECUTIVO

FABBRICATO SSE ARQUATA-LIBARNA - SOTTOSTAZIONE ELETTRICA 3KV

Architettonico
Sezioni Architettoniche e Dettagli Costruttivi

GENERAL CONTRACTOR Consorzio Cociv Ing. M. Meoni	DIRETTORE LAVORI	SCALA: VARIÉ
COMMESSA I G 5 1	LOTTO 0 4	FASE E
ENTE C V	TIPO DOC. A Z	OPERA/DISCIPLINA F A I Z O X
PROGR. 0 0 3	REV. A	

Rev.	Descrizione emissione	Redatto	Data	Verificato	Data	Progettista	Data
AD0	Prima emissione	3BA s.r.l.	11/05/2017	COCIV	12/05/2017	A.Mancarella	12/05/2017

Nome File: 001001012_0142_0143_0149_0150_0151_0152_0153_0154_0155_0156_0157_0158_0159_0160_0161_0162_0163_0164_0165_0166_0167_0168_0169_0170_0171_0172_0173_0174_0175_0176_0177_0178_0179_0180_0181_0182_0183_0184_0185_0186_0187_0188_0189_0190_0191_0192_0193_0194_0195_0196_0197_0198_0199_0200_0201_0202_0203_0204_0205_0206_0207_0208_0209_0210_0211_0212_0213_0214_0215_0216_0217_0218_0219_0220_0221_0222_0223_0224_0225_0226_0227_0228_0229_0230_0231_0232_0233_0234_0235_0236_0237_0238_0239_0240_0241_0242_0243_0244_0245_0246_0247_0248_0249_0250_0251_0252_0253_0254_0255_0256_0257_0258_0259_0260_0261_0262_0263_0264_0265_0266_0267_0268_0269_0270_0271_0272_0273_0274_0275_0276_0277_0278_0279_0280_0281_0282_0283_0284_0285_0286_0287_0288_0289_0290_0291_0292_0293_0294_0295_0296_0297_0298_0299_0300_0301_0302_0303_0304_0305_0306_0307_0308_0309_0310_0311_0312_0313_0314_0315_0316_0317_0318_0319_0320_0321_0322_0323_0324_0325_0326_0327_0328_0329_0330_0331_0332_0333_0334_0335_0336_0337_0338_0339_0340_0341_0342_0343_0344_0345_0346_0347_0348_0349_0350_0351_0352_0353_0354_0355_0356_0357_0358_0359_0360_0361_0362_0363_0364_0365_0366_0367_0368_0369_0370_0371_0372_0373_0374_0375_0376_0377_0378_0379_0380_0381_0382_0383_0384_0385_0386_0387_0388_0389_0390_0391_0392_0393_0394_0395_0396_0397_0398_0399_0400_0401_0402_0403_0404_0405_0406_0407_0408_0409_0410_0411_0412_0413_0414_0415_0416_0417_0418_0419_0420_0421_0422_0423_0424_0425_0426_0427_0428_0429_0430_0431_0432_0433_0434_0435_0436_0437_0438_0439_0440_0441_0442_0443_0444_0445_0446_0447_0448_0449_0450_0451_0452_0453_0454_0455_0456_0457_0458_0459_0460_0461_0462_0463_0464_0465_0466_0467_0468_0469_0470_0471_0472_0473_0474_0475_0476_0477_0478_0479_0480_0481_0482_0483_0484_0485_0486_0487_0488_0489_0490_0491_0492_0493_0494_0495_0496_0497_0498_0499_0500_0501_0502_0503_0504_0505_0506_0507_0508_0509_0510_0511_0512_0513_0514_0515_0516_0517_0518_0519_0520_0521_0522_0523_0524_0525_0526_0527_0528_0529_0530_0531_0532_0533_0534_0535_0536_0537_0538_0539_0540_0541_0542_0543_0544_0545_0546_0547_0548_0549_0550_0551_0552_0553_0554_0555_0556_0557_0558_0559_0560_0561_0562_0563_0564_0565_0566_0567_0568_0569_0570_0571_0572_0573_0574_0575_0576_0577_0578_0579_0580_0581_0582_0583_0584_0585_0586_0587_0588_0589_0590_0591_0592_0593_0594_0595_0596_0597_0598_0599_0600_0601_0602_0603_0604_0605_0606_0607_0608_0609_0610_0611_0612_0613_0614_0615_0616_0617_0618_0619_0620_0621_0622_0623_0624_0625_0626_0627_0628_0629_0630_0631_0632_0633_0634_0635_0636_0637_0638_0639_0640_0641_0642_0643_0644_0645_0646_0647_0648_0649_0650_0651_0652_0653_0654_0655_0656_0657_0658_0659_0660_0661_0662_0663_0664_0665_0666_0667_0668_0669_0670_0671_0672_0673_0674_0675_0676_0677_0678_0679_0680_0681_0682_0683_0684_0685_0686_0687_0688_0689_0690_0691_0692_0693_0694_0695_0696_0697_0698_0699_0700_0701_0702_0703_0704_0705_0706_0707_0708_0709_0710_0711_0712_0713_0714_0715_0716_0717_0718_0719_0720_0721_0722_0723_0724_0725_0726_0727_0728_0729_0730_0731_0732_0733_0734_0735_0736_0737_0738_0739_0740_0741_0742_0743_0744_0745_0746_0747_0748_0749_0750_0751_0752_0753_0754_0755_0756_0757_0758_0759_0760_0761_0762_0763_0764_0765_0766_0767_0768_0769_0770_0771_0772_0773_0774_0775_0776_0777_0778_0779_0780_0781_0782_0783_0784_0785_0786_0787_0788_0789_0790_0791_0792_0793_0794_0795_0796_0797_0798_0799_0800_0801_0802_0803_0804_0805_0806_0807_0808_0809_0810_0811_0812_0813_0814_0815_0816_0817_0818_0819_0820_0821_0822_0823_0824_0825_0826_0827_0828_0829_0830_0831_0832_0833_0834_0835_0836_0837_0838_0839_0840_0841_0842_0843_0844_0845_0846_0847_0848_0849_0850_0851_0852_0853_0854_0855_0856_0857_0858_0859_0860_0861_0862_0863_0864_0865_0866_0867_0868_0869_0870_0871_0872_0873_0874_0875_0876_0877_0878_0879_0880_0881_0882_0883_0884_0885_0886_0887_0888_0889_0890_0891_0892_0893_0894_0895_0896_0897_0898_0899_0900_0901_0902_0903_0904_0905_0906_0907_0908_0909_0910_0911_0912_0913_0914_0915_0916_0917_0918_0919_0920_0921_0922_0923_0924_0925_0926_0927_0928_0929_0930_0931_0932_0933_0934_0935_0936_0937_0938_0939_0940_0941_0942_0943_0944_0945_0946_0947_0948_0949_0950_0951_0952_0953_0954_0955_0956_0957_0958_0959_0960_0961_0962_0963_0964_0965_0966_0967_0968_0969_0970_0971_0972_0973_0974_0975_0976_0977_0978_0979_0980_0981_0982_0983_0984_0985_0986_0987_0988_0989_0990_0991_0992_0993_0994_0995_0996_0997_0998_0999_1000