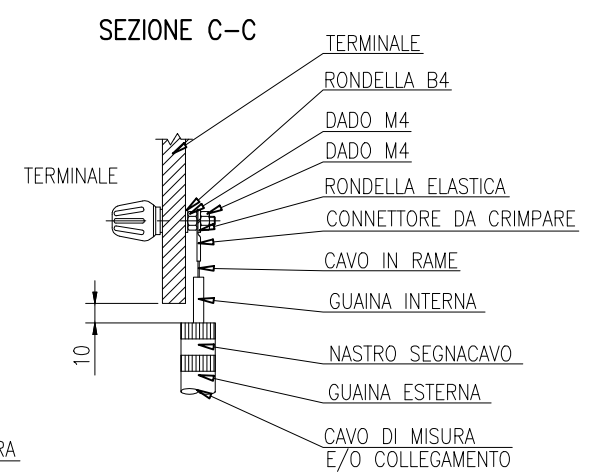
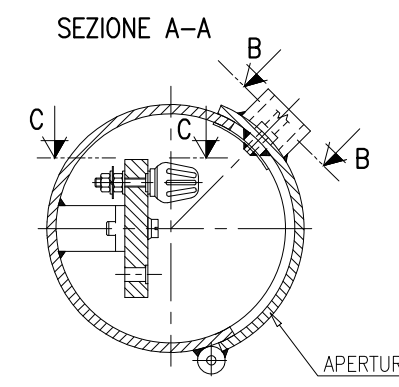
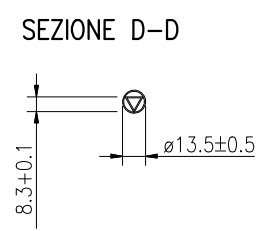
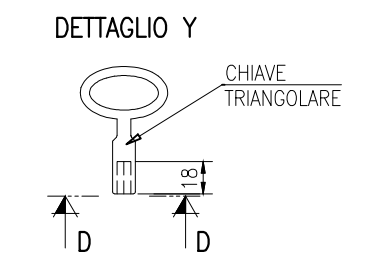
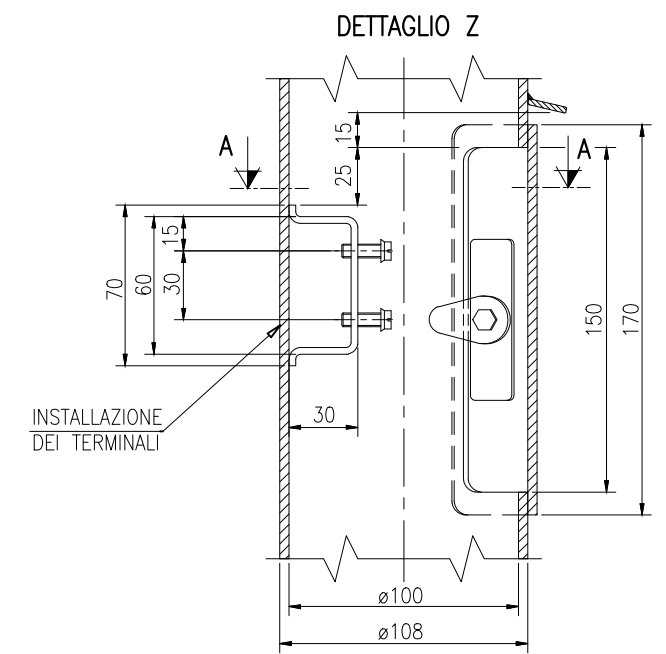
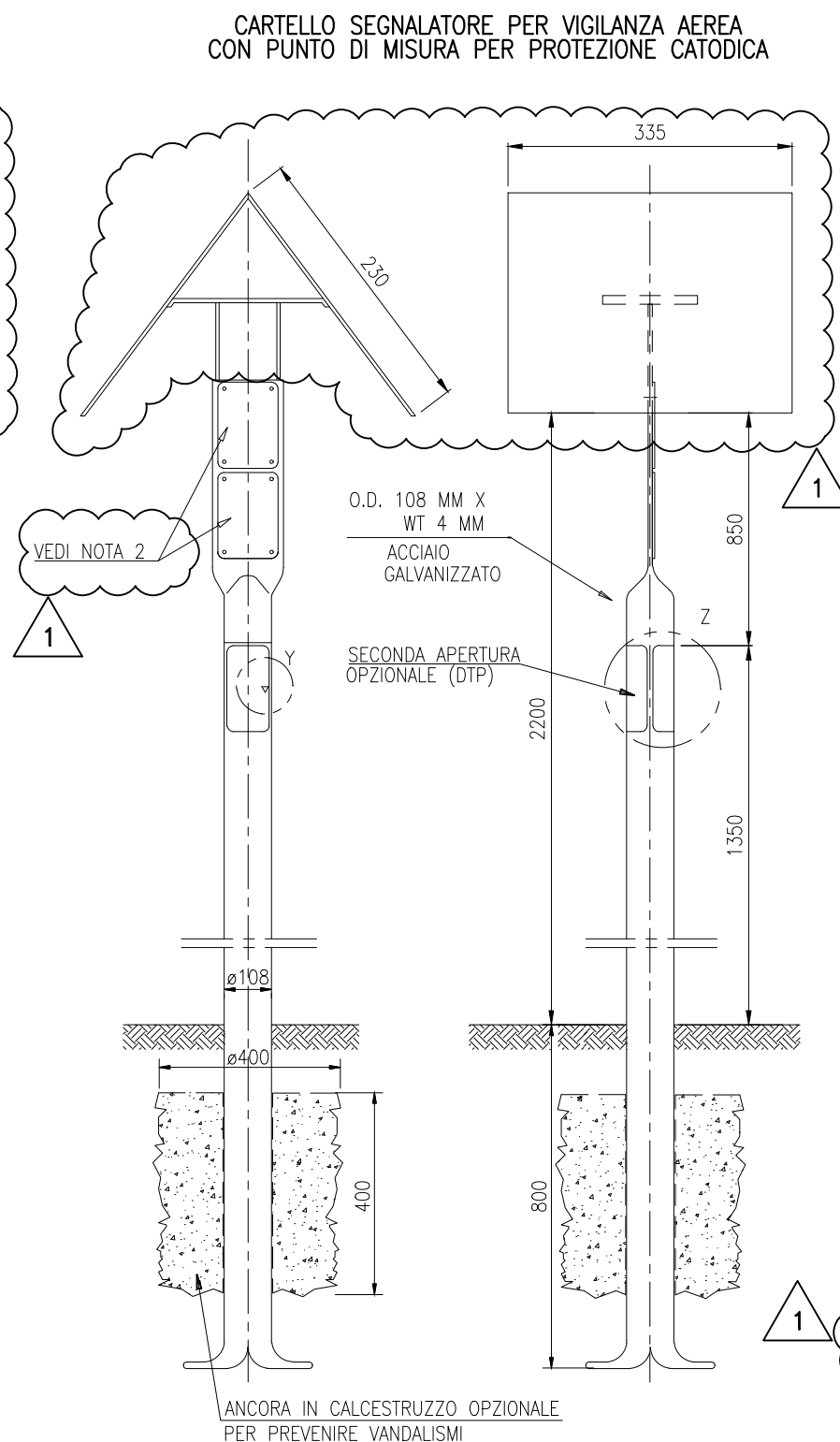
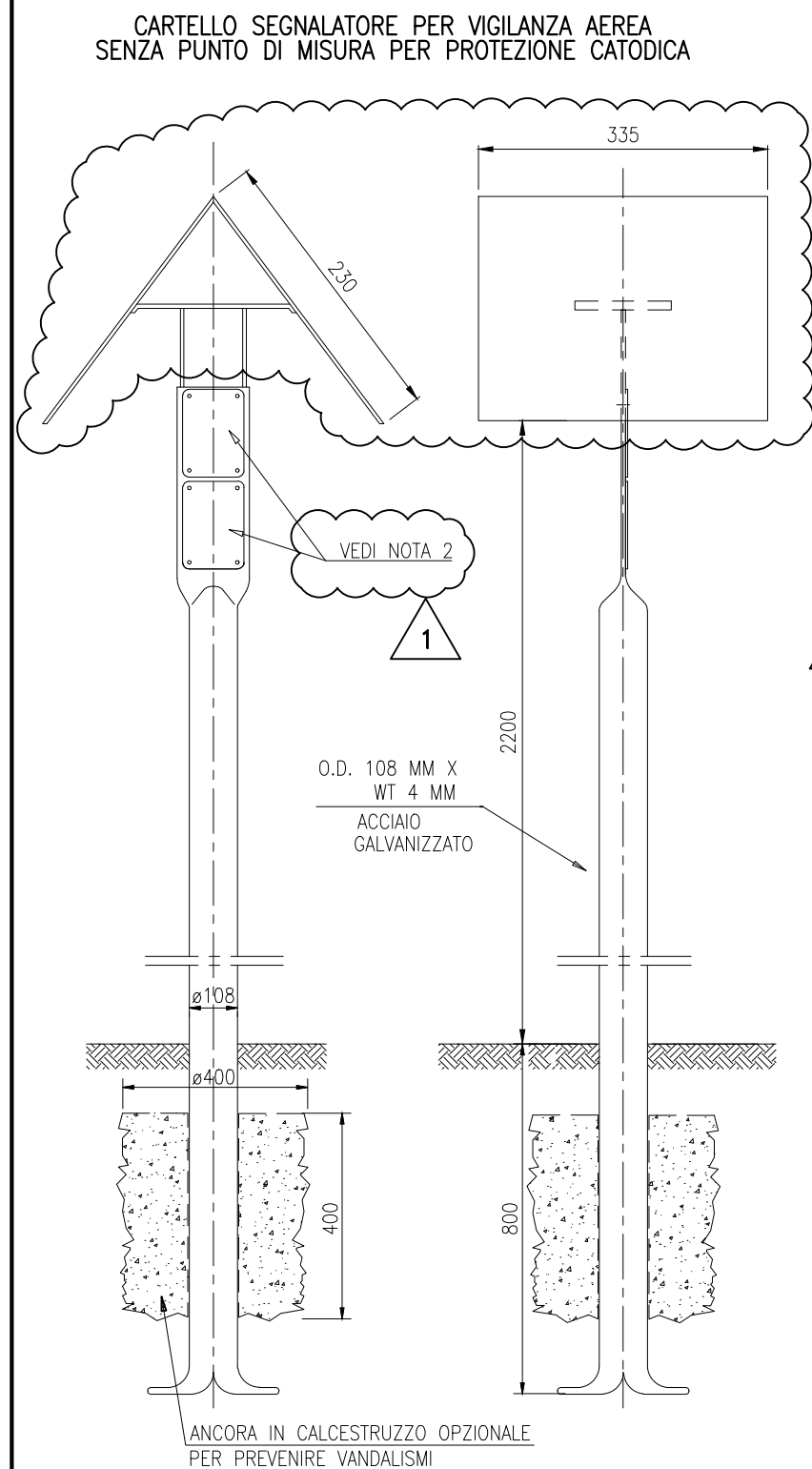


NOTE:

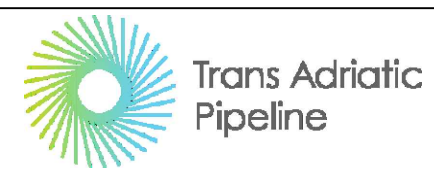
- PIPELINE AERIAL MARKER SHALL BE INSTALLED AS FOLLOW:
 - a: AT THE STARTING AND ENDING POINT OF THE PIPELINE;
 - b: ALONG THE PIPELINE AT EACH 2 Km;
 - c: BEFORE AND AFTER THE BVS AND BEFORE THE PRT AREA;
 - d: AT DIRECTION CHANGES > OR EQUAL TO 30°;
- FOR TEXT/ADHESIVE DESCRIPTION REFER TO THE DOC N. CAL00-ENT-109-K-TSX-0006 "ERECTION AND TAGGING OF MARKERS, MARKER-TEST POSTS AND PROTECTIVE HOUSINGS"
- ALL MEASUREMENTS IN MILLIMETERS.

		PROJECT TITLE Trans Adriatic Pipeline Project/Onshore Pipeline Italy (OPLI)		TAG NUMBERS — — —	
SUPPLIER DOCUMENT NUMBER P15IT03157-PPL-DW-000-006		REV. NO. 1		DRAWING TITLE TYPICAL PIPELINE AERIAL MARKER	
				PAGE 1 of 2	
				REVISION NO. 1	
				DRAWING NO. IPL00-C5522-100-F-DFT-0006-01	
1 RE-ISSUED FOR CONSTRUCTION 0 ISSUED FOR CONSTRUCTION A ISSUED FOR REVIEW REV. DESCRIPTION		IFC IFC IFR PREP VFY APPR DATE		25/11/16 10/11/16 06/09/16	



NOTE:

- IL CARTELLO SEGNALETORE PER VIGILANZA AEREA VA INSTALLATO LUNGO LA CONDOTTA NELLE SEGUENTI POSIZIONI:
a: ALL'INIZIO E ALLA FINE DELLA CONDOTTA;
b: LUNGO L'ASSE DELLA CONDOTTA AD INTERVALLI DI 2 Km;
c: PRIMA E DOPO GLI IMPIANTI DI LINEA;
d: NEI CAMBI DI DIREZIONE > O UGUALI DI 30°;
- PER LA DESCRIZIONE DELL'ADESIVO E DELLE SCRITTE SI FACCIAMO RIFERIMENTO AL DOC N. CAL00-ENT-109-K-TSX-0006. "ERECTION AND TAGGING OF MARKERS, MARKER-TEST POSTS AND PROTECTIVE HOUSINGS"
- TUTTE LE MISURE SONO IN MILLIMETRI.



SUPPLIER DOCUMENT NUMBER
P15IT03157-PPL-DW-000-006

REV. NO.
1



PROJECT TITLE
Trans Adriatic Pipeline Project/Onshore Pipeline Italy (OPLI)

DRAWING TITLE
TIPICO SEGNALETICA PER VIGILANZA AEREA PER GASDOTTI

TAG NUMBERS
—
—
—

REV.	DESCRIPTION	PREP	VFY	APPR	DATE	
1	RE-ISSUED FOR CONSTRUCTION	IFC	EMANUELE PESINI	ALESSANDRO GERVENI	MARCO NARDO	25/11/16
0	ISSUED FOR CONSTRUCTION	IFC	EMANUELE PESINI	ALESSANDRO GERVENI	ALBERTO PAGINA	10/11/16
A	ISSUED FOR REVIEW	IFR	EMANUELE PESINI	ALESSANDRO GERVENI	ALBERTO PAGINA	06/09/16

FORMAT **A3** SCALE **N.T.S.** FACILITY CODE **—** SYSTEM NO. **—** RD CODE **—** REVISION NO. **1**

DRAWING NO. **IPL00-C5522-100-F-DFT-0006-01**