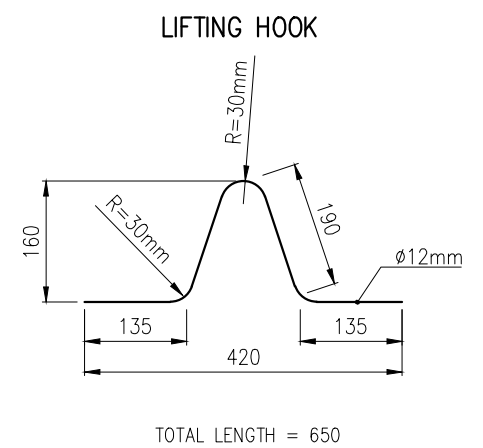
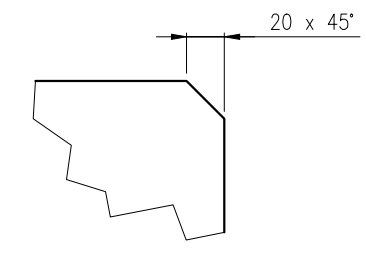
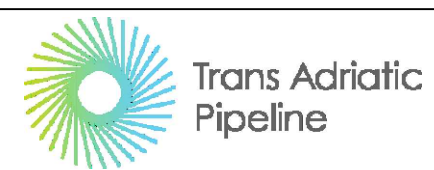


ALL EXPOSED CONCRETE CORNERS SHALL BE CHAMFERED



NOTES:

1. MINIMUM STEEL BAR COVER TO BE 50mm.
2. CHARACTERISTIC OF SLAB MATERIALS:
 - CEMENT TYPE: CEM IV/B 32.5N
 - CONCRETE CLASS RCK min. 30 MPa
 - CEMENT CONTENT min. 350 kg/m³
 - MAX RATIO a/c 0.50
 - REBARS REINFORCEMENT GRADE: B450C FACTORY CHECKED
 - WEIGHT OF SLAB 600 kg
3. ALL MEASUREMENTS ARE IN MILLIMETERS UNLESS OTHERWISE SPECIFIED.



SUPPLIER DOCUMENT NUMBER
P15IT03157-PPL-DW-000-010

REV. NO.
2



PROJECT TITLE
Trans Adriatic Pipeline Project/Onshore Pipeline Italy (OPLI)

DRAWING TITLE
TYPICAL CONCRETE SLAB

TAG NUMBERS

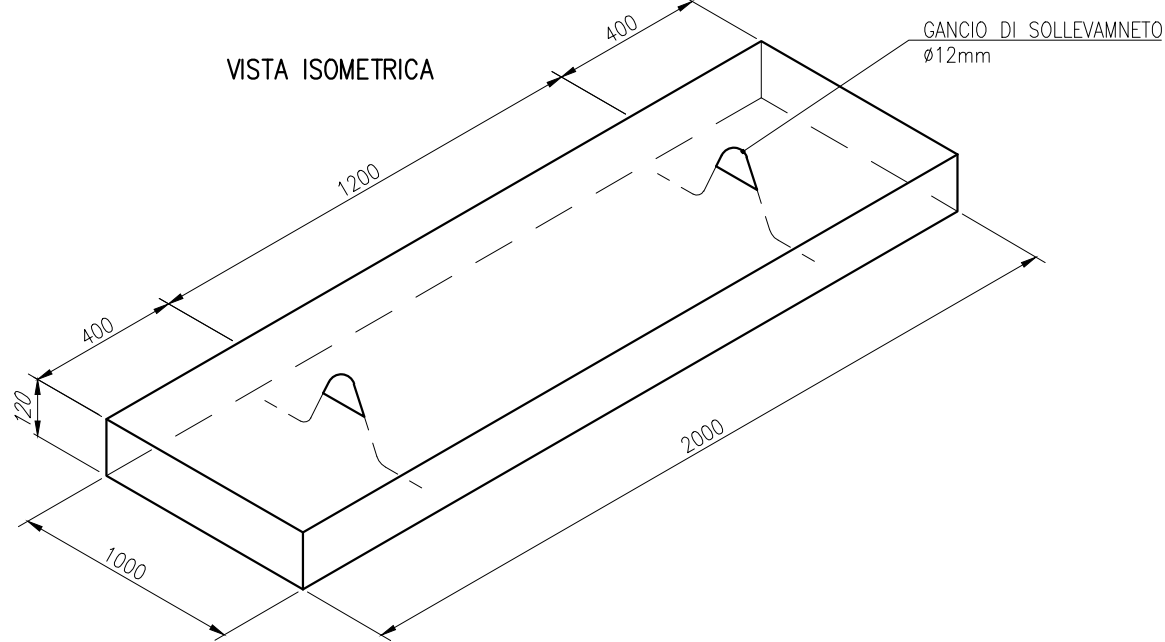
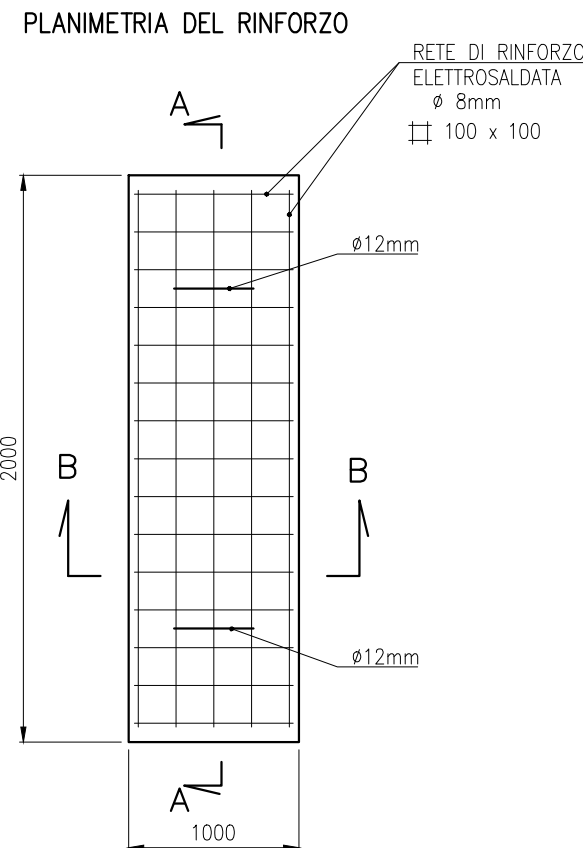
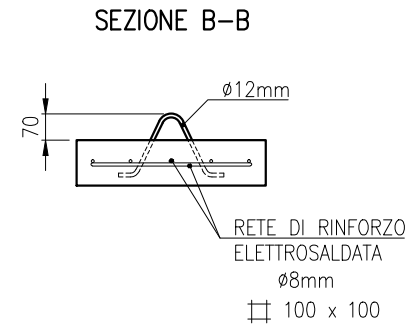
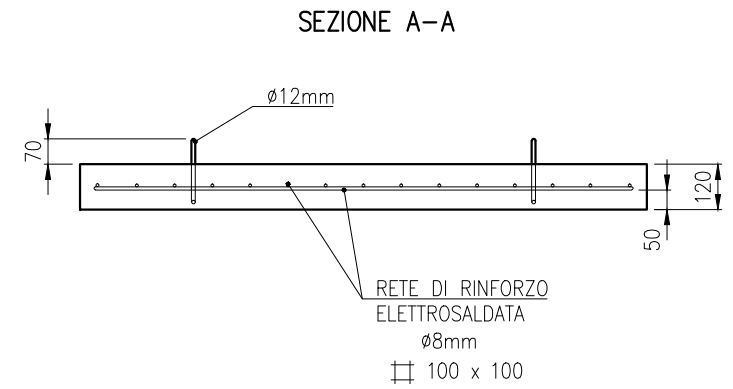
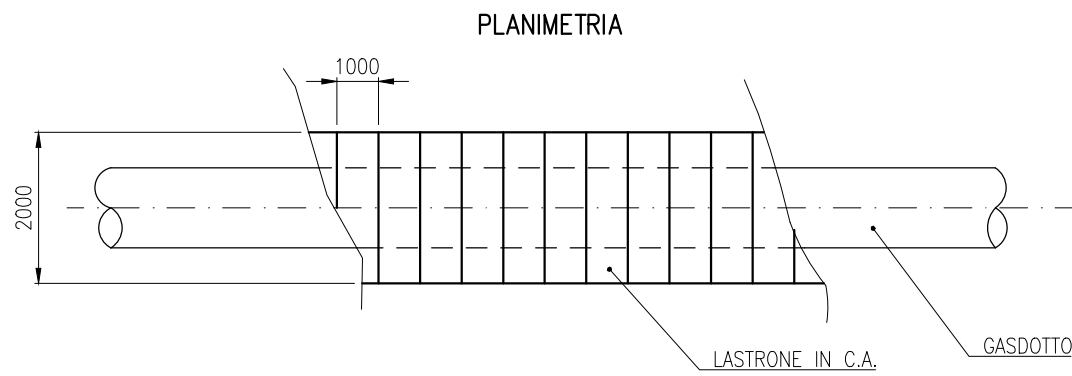
—
—
—

PAGE
1 of 2

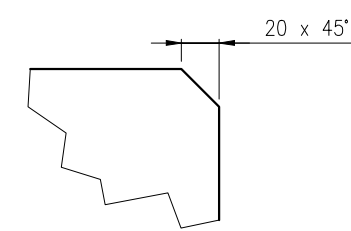
REV.	DESCRIPTION	PREP	VFY	APPR	DATE
2	ISSUED FOR CONSTRUCTION	IFC	EMANUELE PISANI	ALESSANDRO GENTILE	MARCO NARDO 13/02/17
1	ISSUED FOR CONSTRUCTION	IFC	EMANUELE PISANI	ALESSANDRO GENTILE	MARCO NARDO 06/02/17
0	ISSUED FOR CONSTRUCTION	IFC	EMANUELE PISANI	ALESSANDRO GENTILE	MARCO NARDO 11/01/17
B	RE-ISSUED FOR REVIEW	IFR	EMANUELE PISANI	ALESSANDRO GENTILE	ALBERTO PASINA 08/09/16
A	ISSUED FOR REVIEW	IFR	EMANUELE PISANI	ALESSANDRO GENTILE	ALBERTO PASINA 10/08/16

FORMAT	SCALE	FACILITY CODE	SYSTEM NO.	RD CODE	REVISION NO.
A3	N.T.S.	—	—	—	2

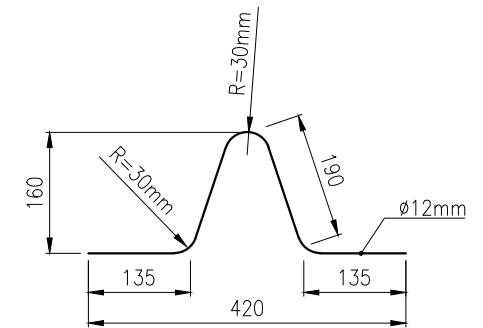
DRAWING NO.
IPL00-C5522-125-F-DFT-0010-01



GLI SPIGOLI DELLE STRUTTURE IN CALCESTRUZZO DOVRANNO ESSERE SMUSSATI



GANCIO DI SOLLEVAMENTO



LUNGHEZZA TOTALE = 650

NOTE:

- DIMENSIONE MINIMA COPRIFERRO 50mm.
- CARATTERISTICHE DEI MATERIALI DEL LASTRONE:
 - TIPO DI CEMENTO CEM IV/B 32.5N
 - CLASSE DEL CALCESTRUZZO RCK min. 30 MPa
 - CONTENUTO CEMENTO min. 350 kg/m³
 - MASSIMO RAPPORTO a/c 0.50
 - BARRE D'ACCIAIO AD ADERENZA MIGLIORATA TIPO B450C CONTROLLATE IN STABILIMENTO
 - PESO DEL LASTRONE 600 kg
- TUTTE LE MISURE SONO IN MILLIMETRI SE NON DIVERSAMENTE INDICATO.



SUPPLIER DOCUMENT NUMBER
P15IT03157-PPL-DW-000-010

REV. NO.
2



PROJECT TITLE
Trans Adriatic Pipeline Project/Onshore Pipeline Italy (OPLI)

DRAWING TITLE
TIPICO LASTRONE DI PROTEZIONE IN C.A.

TAG NUMBERS

—
—
—

PAGE
2 of 2

REV.	DESCRIPTION	DATE	PREP	VFY	APPR
2	ISSUED FOR CONSTRUCTION	13/02/17	EMANUELE PESINI	ALESSANDRO GENTILE	MARCO NARDO
1	ISSUED FOR CONSTRUCTION	06/02/17	EMANUELE PESINI	ALESSANDRO GENTILE	MARCO NARDO
0	ISSUED FOR CONSTRUCTION	11/01/17	EMANUELE PESINI	ALESSANDRO GENTILE	MARCO NARDO
B	RE-ISSUED FOR REVIEW	08/09/16	EMANUELE PESINI	ALESSANDRO GENTILE	ALBERTO FARINA
A	ISSUED FOR REVIEW	10/08/16	EMANUELE PESINI	ALESSANDRO GENTILE	ALBERTO FARINA

FORMAT	SCALE	FACILITY CODE	SYSTEM NO.	RD CODE	REVISION NO.
A3	N.T.S.		—	—	2

DRAWING NO.
IPL00-C5522-125-F-DFT-0010-01