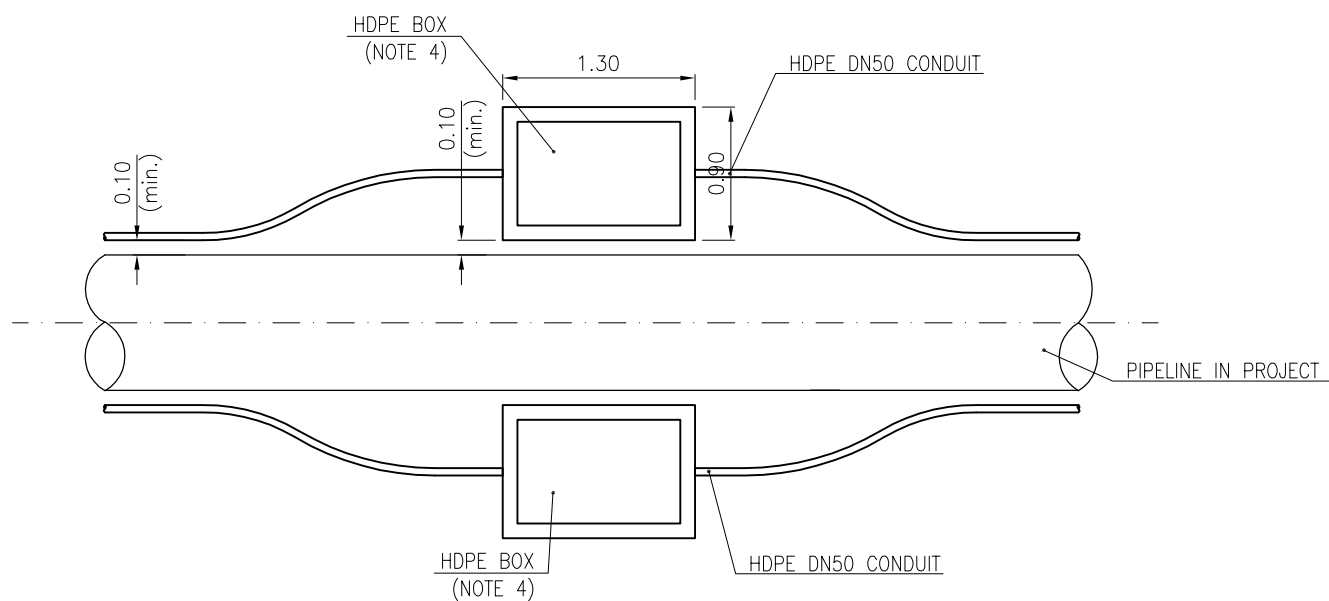
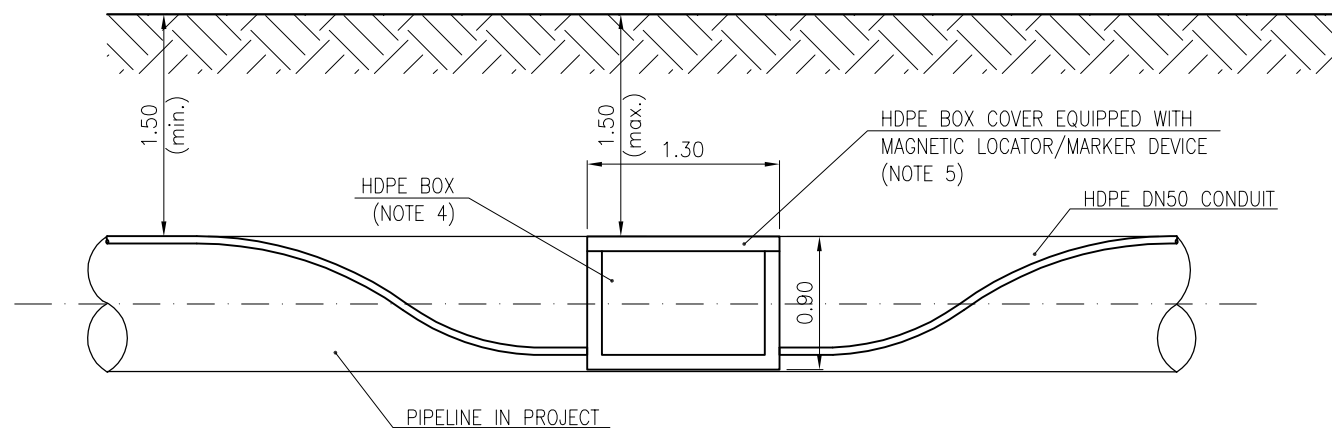


**SYSTEM CONDUIT ACCESS POINT  
PLANT VIEW**



**SIDE VIEW**



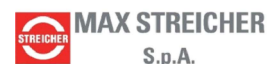
**NOTES:**

1. CONDUIT SYSTEM ACCESS POINT FOR FOC BLOW-IN, SPLICING AND STORAGE, SHALL BE REALIZED WITH BELOW-GROUND HDPE BOXES.
2. HDPE DN50 CONDUIT SHALL BE INSTALLED ON BOTH SIDE OF THE PIPELINE AT THE 10 O'CLOCK AND 2 O'CLOCK POSITIONS IN ACCORDANCE WITH IPL00-C5522-000-F-DFT-0002.
3. ALL MEASUREMENTS ARE IN METRES UNLESS OTHERWISE SPECIFIED.
4. HDPE BOX DIMENSIONS ARE INDICATIVE AND COULD SLIGHTLY CHANGE BASED ON SPECIFIC VENDOR.
5. MARKER DEVICE RANGE SHALL BE SUITABLE FOR A MAXIMUM BURYING DEPTH OF 1.50 METERS.



SUPPLIER DOCUMENT NUMBER  
**P15IT03157-ICT-DW-000-001**

REV. NO.  
**1**



PROJECT TITLE

**Trans Adriatic Pipeline Project/Onshore Pipeline Italy (OPLI)**

DRAWING TITLE

**Typical of conduit access point installation**

TAG NUMBERS

—  
—  
—

PAGE

1 of 2

REVISION NO.

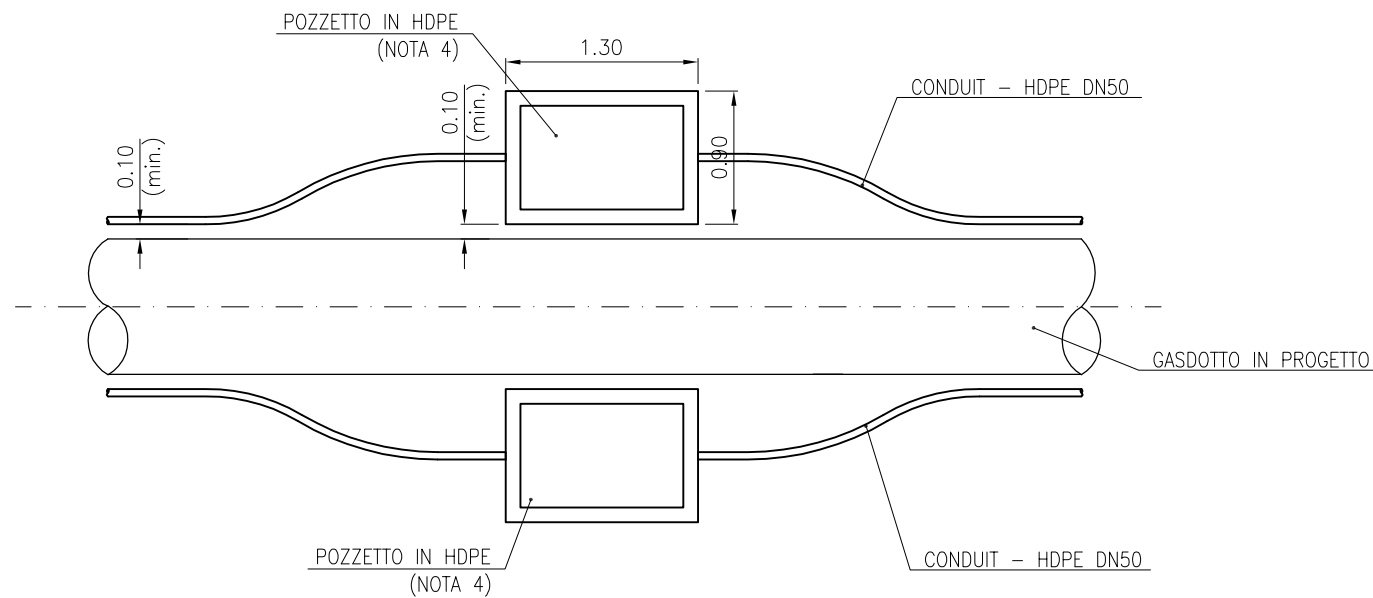
**1**

REV.	DESCRIPTION	PREP	VFY	APPR	DATE
1	RE-ISSUED FOR CONSTRUCTION	IFC	NS	AB AF	11/11/16
0	ISSUED FOR CONSTRUCTION	IFC	NS	AB AF	08/11/16
B	RE-ISSUED FOR REVIEW	IFR	NS	AB AF	24/10/16
A	ISSUED FOR REVIEW	IFR	NS	AB AF	12/09/16

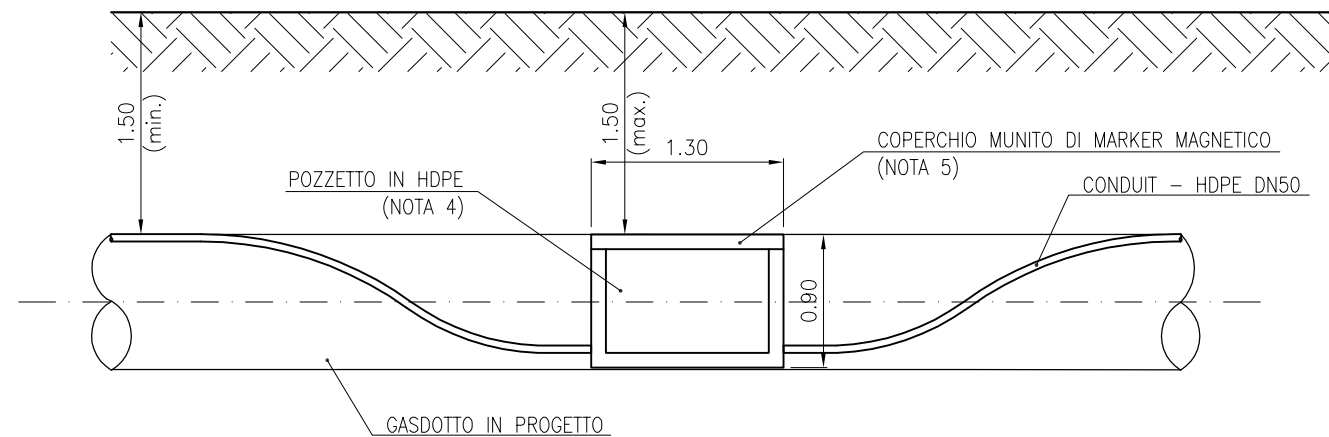
FORMAT <b>A3</b>	SCALE N.T.S.	FACILITY CODE	SYSTEM NO. — —	RD CODE
---------------------	-----------------	---------------	-------------------	---------

DRAWING NO.  
**IPL00-C5522-870-T-DTD-0001-01**

PUNTO DI ACCESSO AL SISTEMA CONDUIT  
PIANTA



VISTA LATERALE



NOTES:

1. I PUNTI DI ACCESSO AL SISTEMA CONDUIT PER L'INFILAGGIO, LA GIUNZIONE E IL DEPOSITO DELLA FIBRA SARANNO REALIZZATI CON POZZETTI SEMI-AFFIORANTI IN HDPE.
2. IL CONDUIT DN50 IN HDPE SARÀ INSTALLATO AI LATI DELLA PIPELINE NELLE POSIZIONI A ORE 10 E A ORE 2 IN ACCORDO CON IPL00-C5522-000-F-DFT-0002.
3. TUTTE LE MISURE SONO ESPRESSE IN METRI SE NON DIVERSAMENTE INDICATO.
4. LE DIMENSIONI DEI POZZETTI IN HDPE SONO INDICATIVE E POTREBBERO CAMBARE LEGGERMENTE A SECONDA DEL VENDOR.
5. IL CAMPO DEL MARKER MAGNETICO DOVRÀ ESSERE ADATTO AD UNA PROFONDITÀ MASSIMA DI INTERRAMENTO DI 1.50 METRI.



SUPPLIER DOCUMENT NUMBER  
P15IT03157-ICT-DW-000-001

REV. NO.  
1

**MAX STREICHER**  
S.p.A.



PROJECT TITLE

Trans Adriatic Pipeline Project/Onshore Pipeline Italy (OPLI)

DRAWING TITLE

Tipico di installazione per punti di accesso  
al sistema conduit

TAG NUMBERS

—  
—  
—

PAGE

2 of 2

REVISION NO.

1

REV.	DESCRIPTION	PREP	VFY	APPR	DATE
1	RE-ISSUED FOR CONSTRUCTION	IFC	NS	AB AF	11/11/16
0	ISSUED FOR CONSTRUCTION	IFC	NS	AB AF	08/11/16
B	RE-ISSUED FOR REVIEW	IFR	NS	AB AF	24/10/16
A	ISSUED FOR REVIEW	IFR	NS	AB AF	12/09/16

FORMAT  
A3

SCALE  
N.T.S.

FACILITY CODE

SYSTEM NO.

—

—

RD CODE

DRAWING NO.

IPL00-C5522-870-T-DTD-0001-01