

CADASTRAL MAP	IPL00-C5522-000-F-DFK-0001-01
TECHNICAL SPECIFICATION - CONCRETE WORKS	IPL00-C5522-961-Q-TSD-0004
TECHNICAL SPECIFICATION - ACCESS ROADS AND PAVING	IPL00-C5522-961-Q-TSD-0006
RECEIVING TRAP - PIPING LAYOUT OVERVIEW	IPR01-C5522-110-L-DLA-0001-01

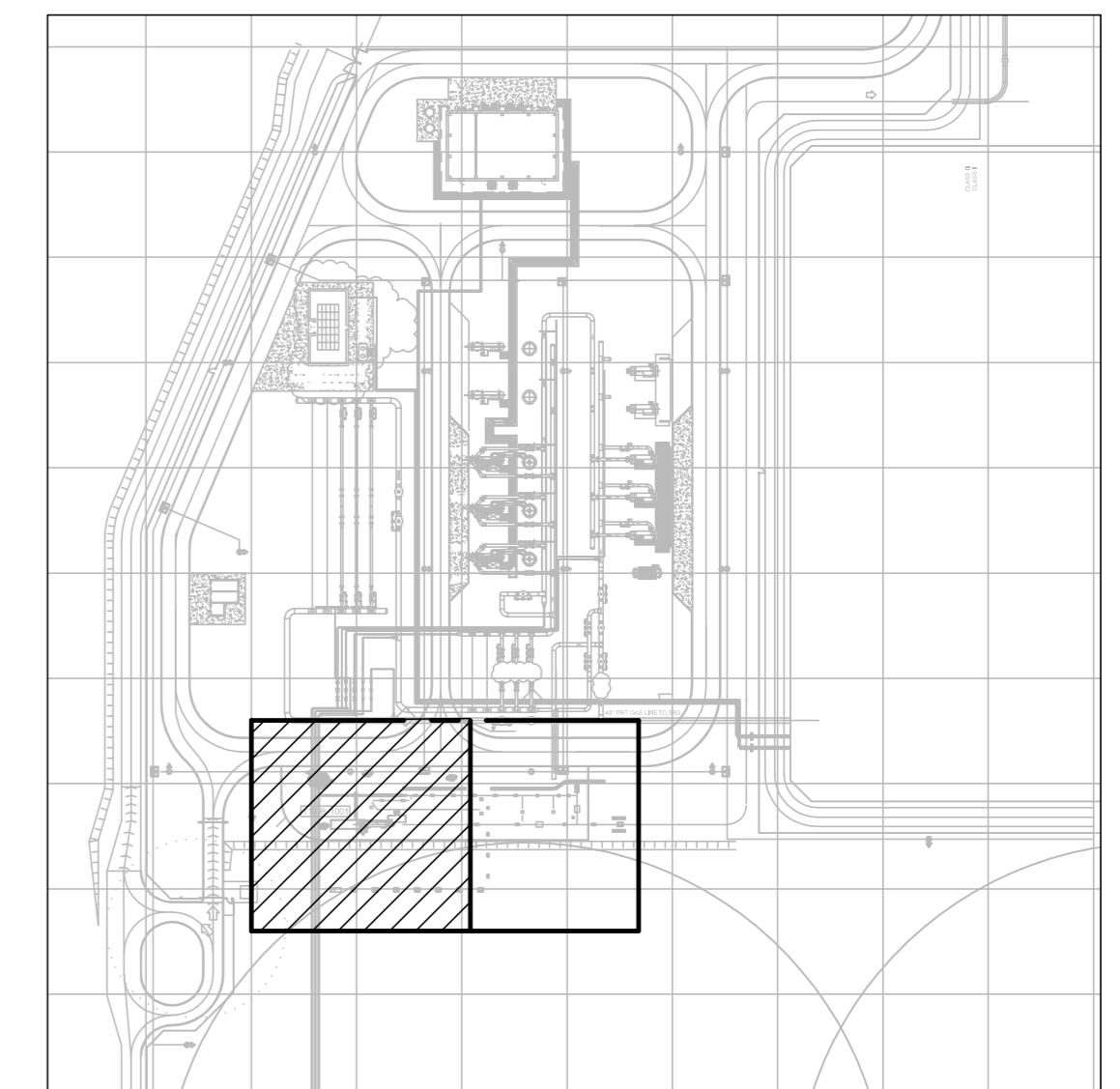
NOTES:
NOTE:

- ALL CO-ORDINATES AND ELEVATIONS ARE IN METRES, DIMENSIONS ARE IN MILLIMETERS.
- TUTTE LE COORDINATE E LE ELEVAZIONI SONO IN METRI, LE DIMENSIONI SONO IN MILLIMETRI.
- PLANT CO-ORDINATE (H 2000, R 2000) IS EQUIVALENT TO GEOGRAPHICAL CO-ORDINATE E=34T 271472.209 N=4461454.086 WITH RESPECT TO TRUE NORTH.
- LE COORDINATE D'IMPIANTO (H 2000, R 2000) CORRISPONDONTI ALLE COORDINATE GEOGRAFICHE E=34T 271472.209 N=4461454.086 CON RISPETTO AL NORD GEOGRAFICO.
- PLANT ELEVATION 0,00 CORRISPONDE TO TOPOGRAPHICAL ELEVATION +40,50m A.S.L.
- LA QUOTA IMPIANTO 0,00 CORRISPONDE ALLA QUOTA +40,50m S.L.M.
- SITE PREPARATION, LEVELLING, STORM WATER DRAINAGE GRID, PROTECTION BARRIER, CABLE TRENCH/DUCTS AND RELEVANT PITS ARE PRELIMINARY SCOPE OF WORK OF PRT CONTRACTOR, SUBJECT TO INTERFACE MANAGEMENT CONFIRMATION.
- PREPARAZIONE DEL SITO, LIVELLAMENTO DEL TERRENO, CANALETTA DI DRENAGGIO, BARRIERE DI PROTEZIONE, CAVIOTTI/BANCOTUBI E POZZETTI RELATIVI SONO PRELIMINARMENTE SCOPO DEL LAVORO DEL PRT CONTRACTOR, SOGGETTO A INTERFACCIA MANAGERIALE PER CONFERMA.

THE COORDINATES ARE BASED ON THE SYSTEM:
LE COORDINATE GEOGRAFICHE SONO BASATE SUL SISTEMA:

GEODETTIC REFERENCE SYSTEM	
Datum: WGS84	Spheroid: WGS84
Projection: UTM (Zone 34)	Central meridian: 21°E
Vertical Ref. Level: LAT	

KEY PLAN:
PIANTA CHIAVE:



SUPPLIER DOCUMENT NUMBER
P15103157-CIV-DW-000-005

REV. NO.
2

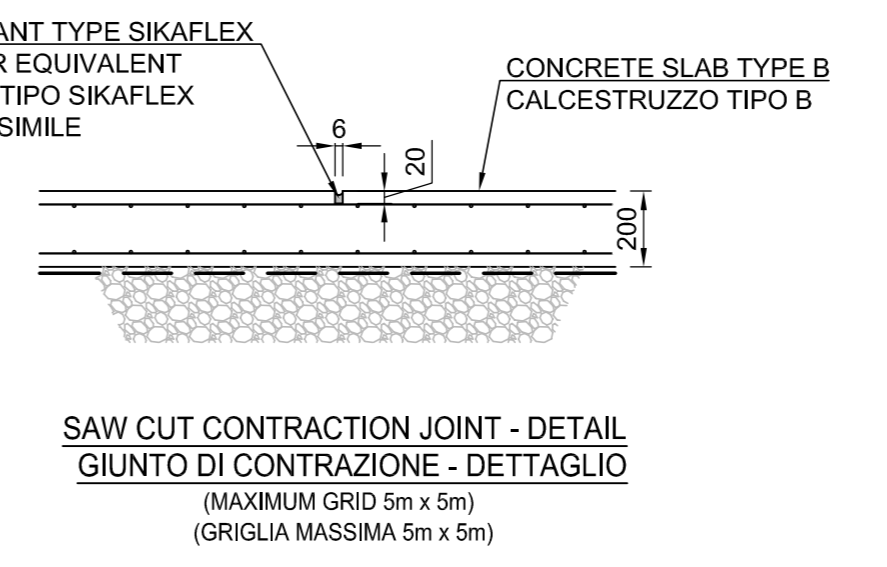
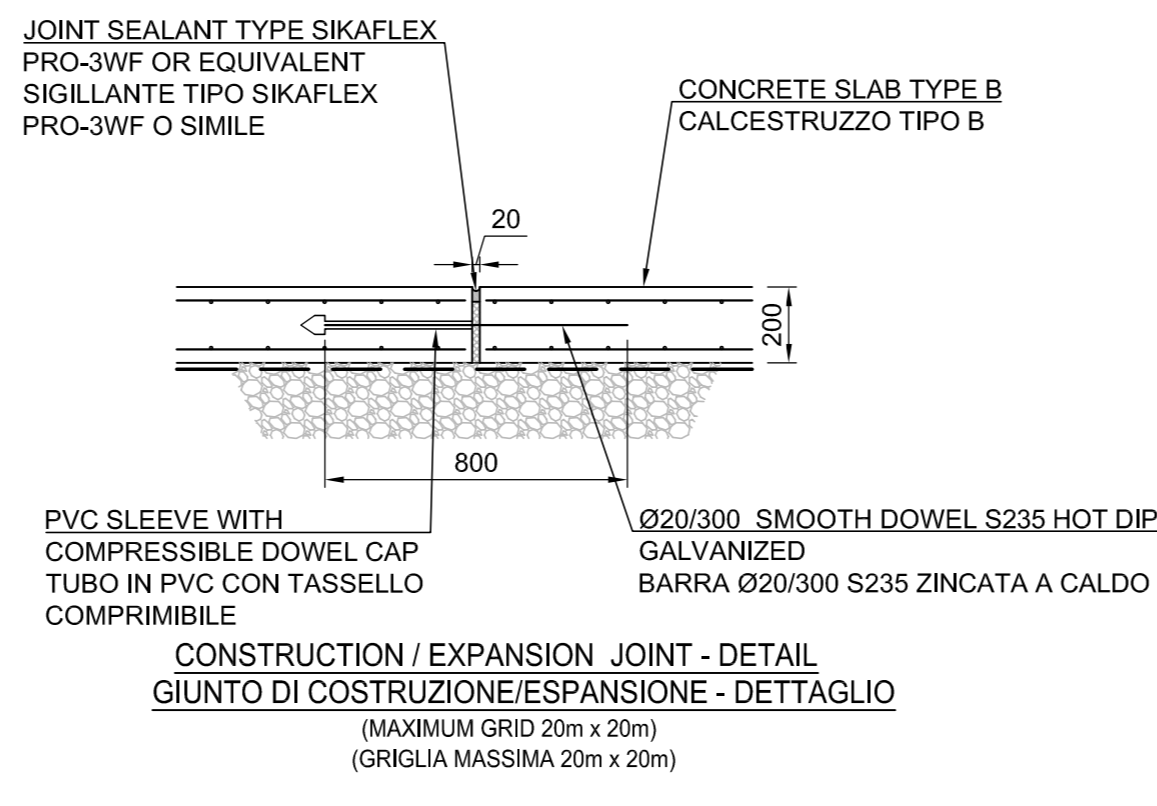
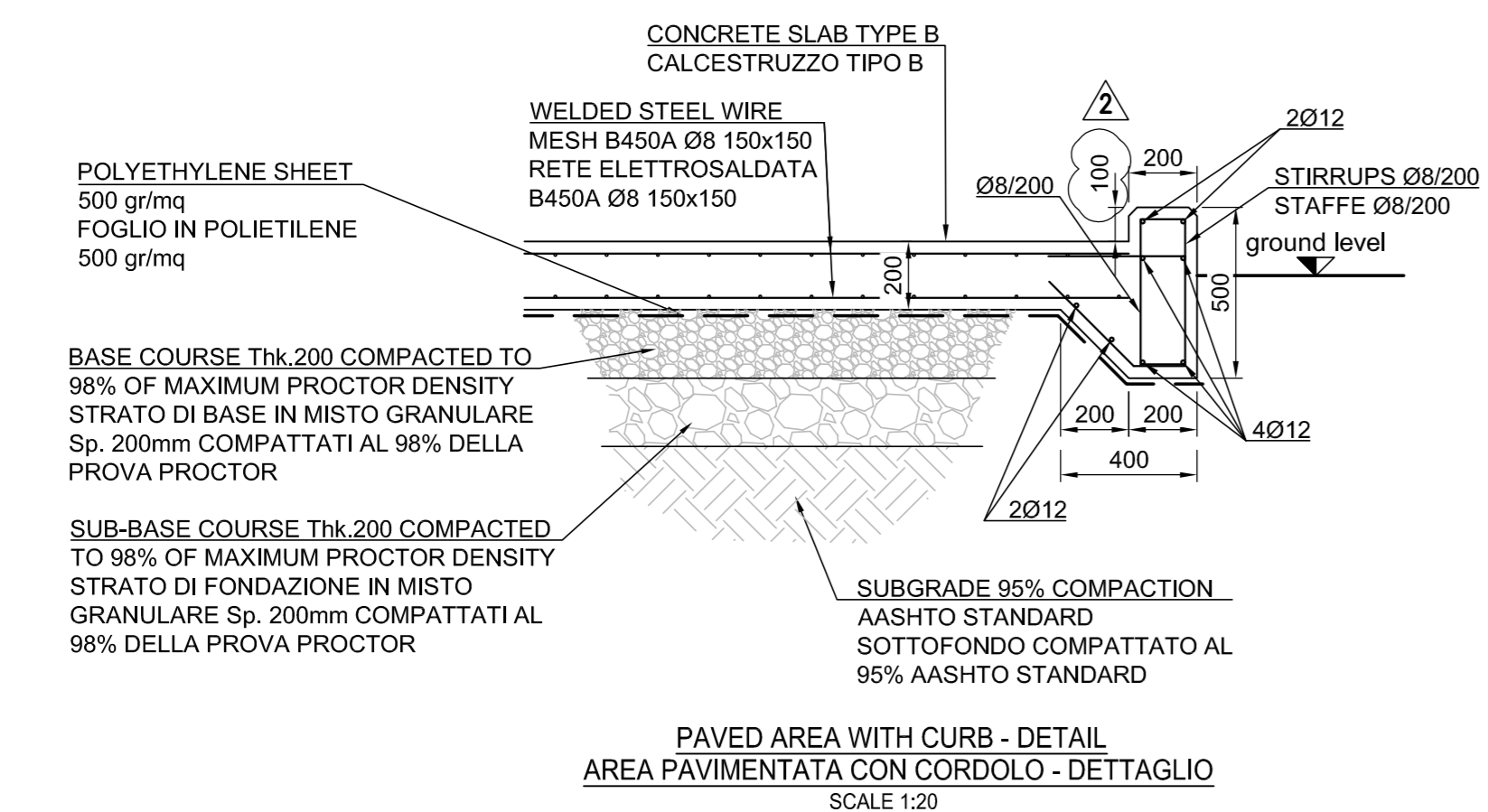
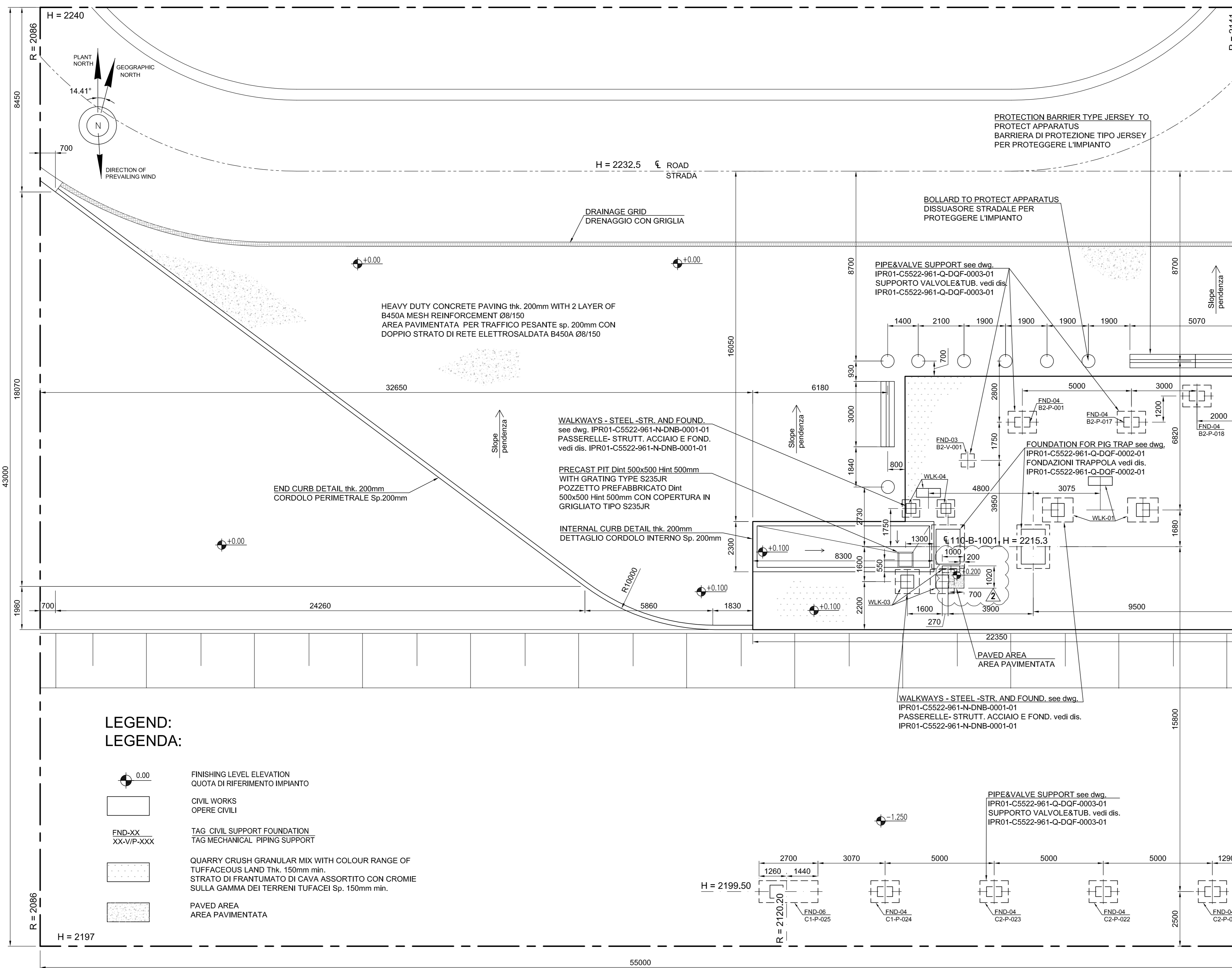
MAX STREICHER
S.p.A.

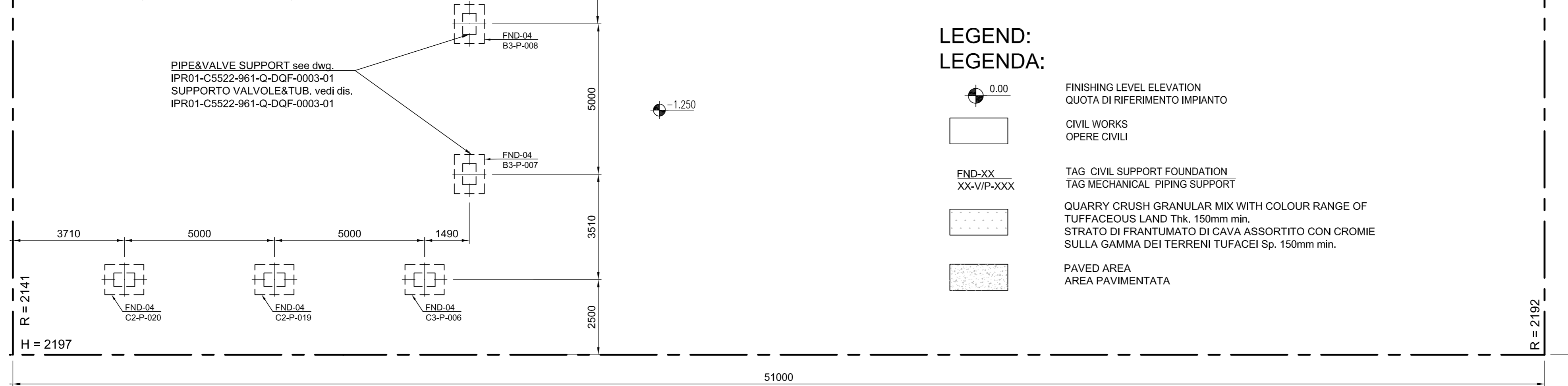
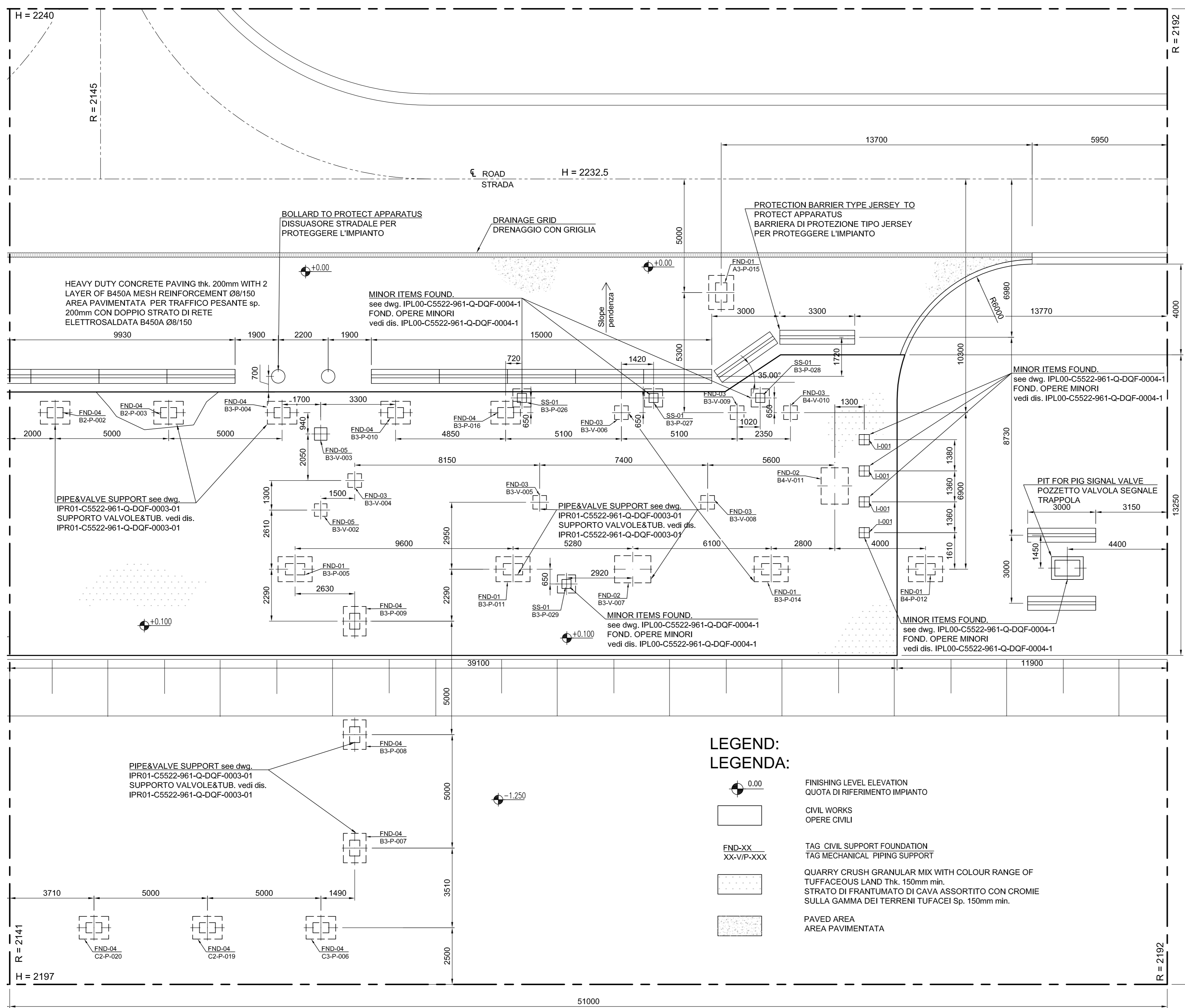
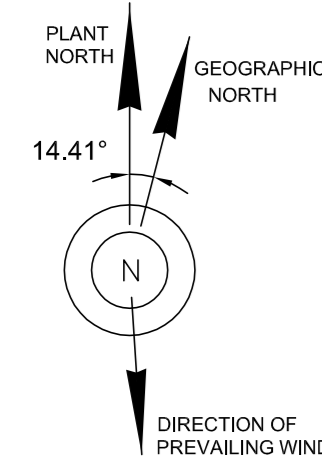


REV.	DESCRIPTION	PREP	VFY	APPR	DATE
2	ISSUED FOR CONSTRUCTION / EMISSIONE PER COSTRUZIONE	IFC	GABRIELLI	BERNARDINI	11/04/17
1	ISSUED FOR CONSTRUCTION / EMISSIONE PER COSTRUZIONE	IFC	GABRIELLI	BERNARDINI	16/03/17
0	ISSUED FOR CONSTRUCTION / EMISSIONE PER COSTRUZIONE	IFC	GABRIELLI	BERNARDINI	16/02/17
A	ISSUED FOR REVIEW / EMISSIONE PER REVISIONE	IFR	GABRIELLI	BERNARDINI	15/12/16

PROJECT TITLE	TAG NUMBERS
Trans Adriatic Pipeline Project/Onshore Pipeline Italy (OPL)	---
DRAWING TITLE	---
Title	---
SCRAPER RECEIVER STATION - CIVIL WORKS GENERAL LAYOUT	PAGE
SCRAPER RECEIVER STATION - PLANIMETRIA OPERE CIVILI	1 of 2
FORMAT	REVISION NO.
A1	2

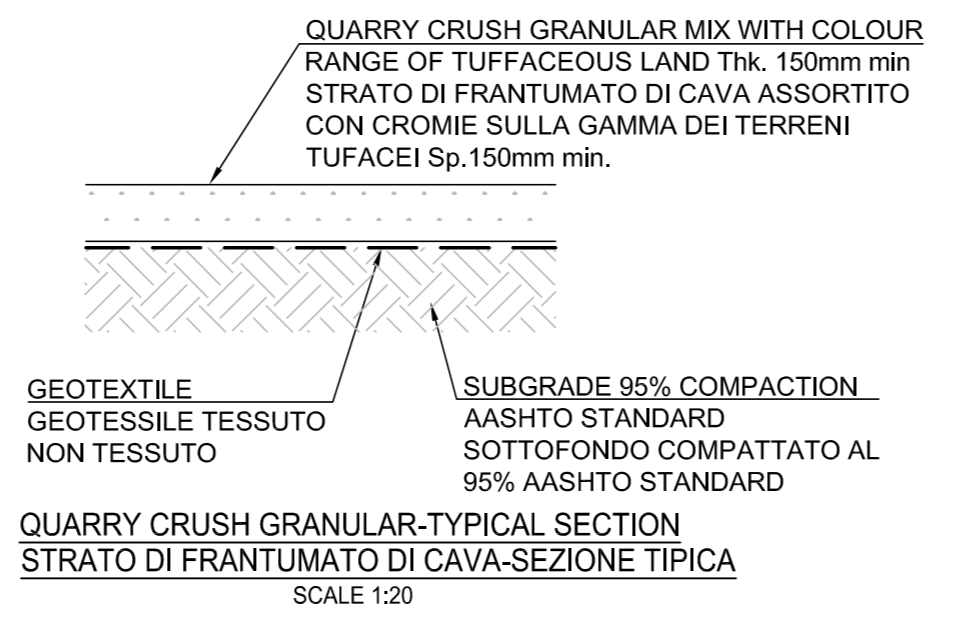
DRAWING NO.
IPR01-C5522-961-Q-DQA-0002-01





**LEGEND:
LEGENDA:**

- 0.00 FINISHING LEVEL ELEVATION
QUOTA DI RIFERIMENTO IMPIANTO
- CIVIL WORKS
OPERE CIVILI
- FND-XX
XX-V/P-XXX TAG CIVIL SUPPORT FOUNDATION
TAG MECHANICAL PIPING SUPPORT
- QUARRY CRUSH GRANULAR MIX WITH COLOUR RANGE OF TUFFACEOUS LAND Thk. 150mm min.
STRATO DI FRANTUMATO DI CAVA ASSORTITO CON CROMIE SULLA GAMMA DEI TERRENI TUFACEI Sp. 150mm min.
- PAVED AREA
AREA PAVIMENTATA



REFERENCE DRAWINGS	N°
CADASTRAL MAP	IPL00-C5522-000-F-DFK-0001-01
TECHNICAL SPECIFICATION - CONCRETE WORKS	IPL00-C5522-961-Q-TSD-0004
TECHNICAL SPECIFICATION - ACCESS ROADS AND PAVING	IPL00-C5522-961-Q-TSD-0006
RECEIVING TRAP - PIPING LAYOUT OVERVIEW	IPR01-C5522-110-L-DLA-0001-01

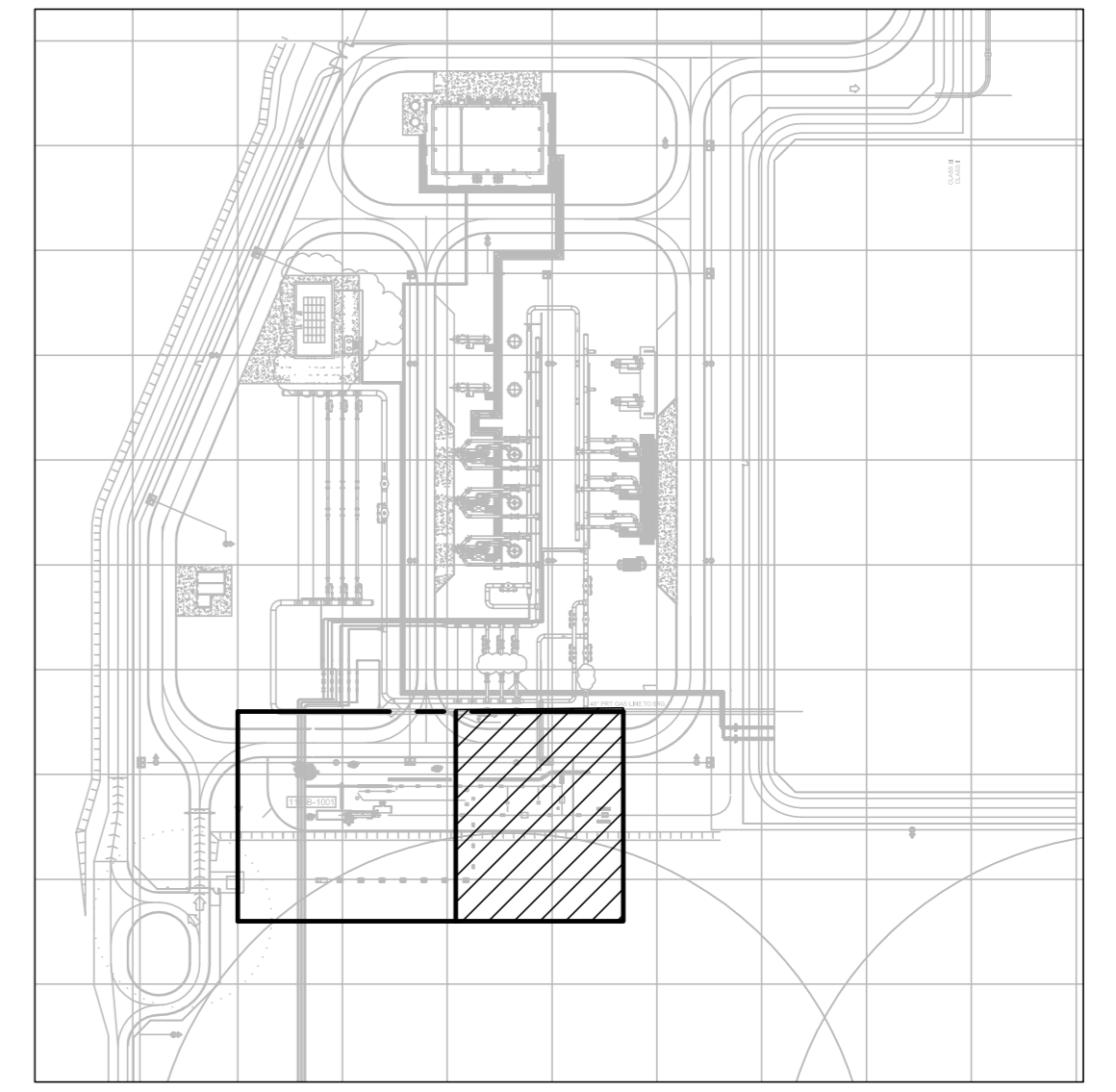
NOTE:

- ALL CO-ORDINATES AND ELEVATIONS ARE IN METRES, DIMENSIONS ARE IN MILLIMETERS.
- TUTTE LE COORDINATE E LE ELEVAZIONI SONO IN METRI, LE DIMENSIONI SONO IN MILLIMETRI.
- PLANT CO-ORDINATE (H 2000, R 2000) IS EQUIVALENT TO GEOGRAPHICAL CO-ORDINATE E=34T 271472.209 N=4461454.086 WITH RESPECT TO TRUE NORTH.
- LE COORDINATE D'IMPIANTO (H 2000, R 2000) CORRISPONDENTI ALLE COORDINATE GEOGRAFICHE E=34T 271472.209 N=4461454.086 CON RISPETTO AL NORD GEOGRAFICO.
- PLANT ELEVATION 0,00 CORRISPONDE TO TOPOGRAPHICAL ELEVATION +40,50m A.S.L.
- LA QUOTA IMPIANTO 0,00 CORRISPONDE ALLA QUOTA +40,50m S.L.M.
- SITE PREPARATION, LEVELLING, STORM WATER DRAINAGE GRID, PROTECTION BARRIER, CABLE TRENCH/DUCTS AND RELEVANT PITS ARE PRELIMINARY SCOPE OF WORK OF PRT CONTRACTOR, SUBJECT TO INTERFACE MANAGEMENT CONFIRMATION.
- PREPARAZIONE DEL SITO, LIVELLAMENTO DEL TERRENO, CANALLETTA DI DRENAGGIO, BARRIERE DI PROTEZIONE, CAVIDOTTI/BANCOTUBI E POZZETTI RELATIVI SONO PRELIMINARMENTE SCOPO DEL LAVORO DEL PRT CONTRACTOR, SOGGETTO A INTERFACCIA MANAGERIALE PER CONFERMA.

THE COORDINATES ARE BASED ON THE SYSTEM:
LE COORDINATE GEOGRAFICHE SONO BASATE SUL SISTEMA:

GEODETTIC REFERENCE SYSTEM	
Datum: WGS84	Spheroid: WGS84
Projection: UTM (Zone 34)	Central meridian: 21°E
Vertical Ref. Level: LAT	

**KEY PLAN:
PIANTA CHIAVE:**



SUPPLIER DOCUMENT NUMBER P15IT03157-CIV-DW-000-005	REV. NO. 2	MAX STREICHER S.p.A.	Enerco
---	---------------	-------------------------	---------------

REV.	DESCRIPTION	PREP	VFY	APPR	DATE
2	ISSUED FOR CONSTRUCTION / EMISSIONE PER COSTRUZIONE	IFC	GABRIELLI	BERVENUTI	11/04/17
1	ISSUED FOR CONSTRUCTION / EMISSIONE PER COSTRUZIONE	IFC	GABRIELLI	BERVENUTI	16/03/17
0	ISSUED FOR CONSTRUCTION / EMISSIONE PER COSTRUZIONE	IFC	GABRIELLI	BERVENUTI	16/02/17
A	ISSUED FOR REVIEW / EMISSIONE PER REVISIONE	IFR	GABRIELLI	BERVENUTI	15/12/16

PROJECT TITLE Trans Adriatic Pipeline Project/Onshore Pipeline Italy (OPLI)	TAG NUMBERS —
DRAWING TITLE Title	—
SCRAPER RECEIVER STATION - CIVIL WORKS GENERAL LAYOUT SCRAPER RECEIVER STATION - PLANIMETRIA OPERE CIVILI	PAGE 2 of 2
FORMAT A1	SCALE 1:100
FACILITY CODE —	SYSTEM NO. —
RD CODE —	REVISION NO. 2

DRAWING NO.
IPR01-C5522-961-Q-DQA-0002-01