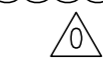


TECHNICAL SPECIFICATION - BLOCK VALVE STATION ILV33 - CIVIL DESIGN SPECIFICATION	IPL00-C5522-961-Q-TSD-0003
TECHNICAL SPECIFICATION - CONCRETE WORKS	IPL00-C5522-961-Q-TSD-0004
SCRAPER RECEIVER STATION - CIVIL WORKS GENERAL LAYOUT	IPL00-C5522-961-Q-DQA-0002-01
SCRAPER RECEIVER STATION - IPR01 - PIG TRAP FOUNDATION CALCULATION REPORT	IPR01-C5522-961-Q-TRE-0001



**NOTES:**

- ALL CO-ORDINATES AND ELEVATIONS ARE IN METRES, DIMENSIONS ARE IN MILLIMETERS.
- TUTTE LE COORDINATE E LE ELEVAZIONI SONO IN METRI, LE DIMENSIONI SONO IN MILLIMETRI.
- PLANT CO-ORDINATE (H 2000, R 2000) IS EQUIVALENT TO GEOGRAPHICAL CO-ORDINATE E=34T 271472.209 N=4461454.086 WITH RESPECT TO TRUE NORTH.
- LE COORDINATE D'IMPIANTO (H 2000, R 2000) CORRISPONDONTI ALLE COORDINATE GEOGRAFICHE E=34T 271472.209 N=4461454.086 CON RISPETTO AL NORD GEOGRAFICO.
- PLANT ELEVATION 0,00 CORRISPONDS TO TOPOGRAPHICAL ELEVATION +40,50m A.S.L.
- LA QUOTA IMPIANTO 0,00 CORRISPONDE ALLA QUOTA +40,50m S.L.M.
- FOR TRAP FOUNDATION POSITIONING REFER TO DOCUMENT CIVIL WORKS GENERAL LAYOUT.
- PER IL POSIZIONAMENTO DELLE FONDAZIONI DELLA TRAPPOLA FARE RIFERIMENTO ALLA PLANIMETRIA OPERE CIVILI.

**LEGEND:**

- T.O.G. = TOP OF GROUT  
 T.O.G. = ESTRADOSSO MALTA DI LIVELLAMENTO  
 T.O.C. = TOP OF CONCRETE  
 T.O.C. = ESTRADOSSO FONDAZIONE IN C.A.  
 B.O.F. = BOTTOM OF FOUNDATION  
 B.O.F. = INTRADOSSO FONDAZIONE IN C.A.

MATERIALS	
CONCRETE	EXPOSURE CLASS XC2 CLASS Rck min. 30 MPa MAX RATIO w/c 0.50 CEMENT CONTENT min. 350 Kg/m <sup>3</sup>
REINFORCING STEEL	TYPE B450C (or FeB44K checked in the factory) COVER min. 35 mm
LEAN CONCRETE	CLASS Rck min. 15 MPa MAX RATIO w/c 0.70 CEMENT CONTENT min. 270 Kg/m <sup>3</sup>
PLATES, STIFFENERS, ANCHOR BOLTS	S235JR (NF-EN 10025) ANCHOR BOLTS S235JR (EN 10029)

MATERIALI	
CALCESTRUZZO PER STRUTTURE IN ELEVAZIONE	CLASSE DI ESPOSIZIONE XC2 CLASSE Rck min. 30 MPa MAX RAPPORTO a/c 0.50 CONTENUTO CEMENTO min. 350 Kg/m <sup>3</sup>
ARMATURA	TIPO B450C (o FeB44K controllato in stabilimento) COPRIFERRO NOMINALE min. 35 mm
CALCESTRUZZO MAGRO	CLASSE Rck min. 15 MPa MAX RAPPORTO a/c 0.70 CONTENUTO CEMENTO min. 270 Kg/m <sup>3</sup>
PIATTI, RINFORZI, BULLONI DI ANCORAGGIO	S235JR (NF-EN 10025) TIRAFONDO S235JR (EN 10029)



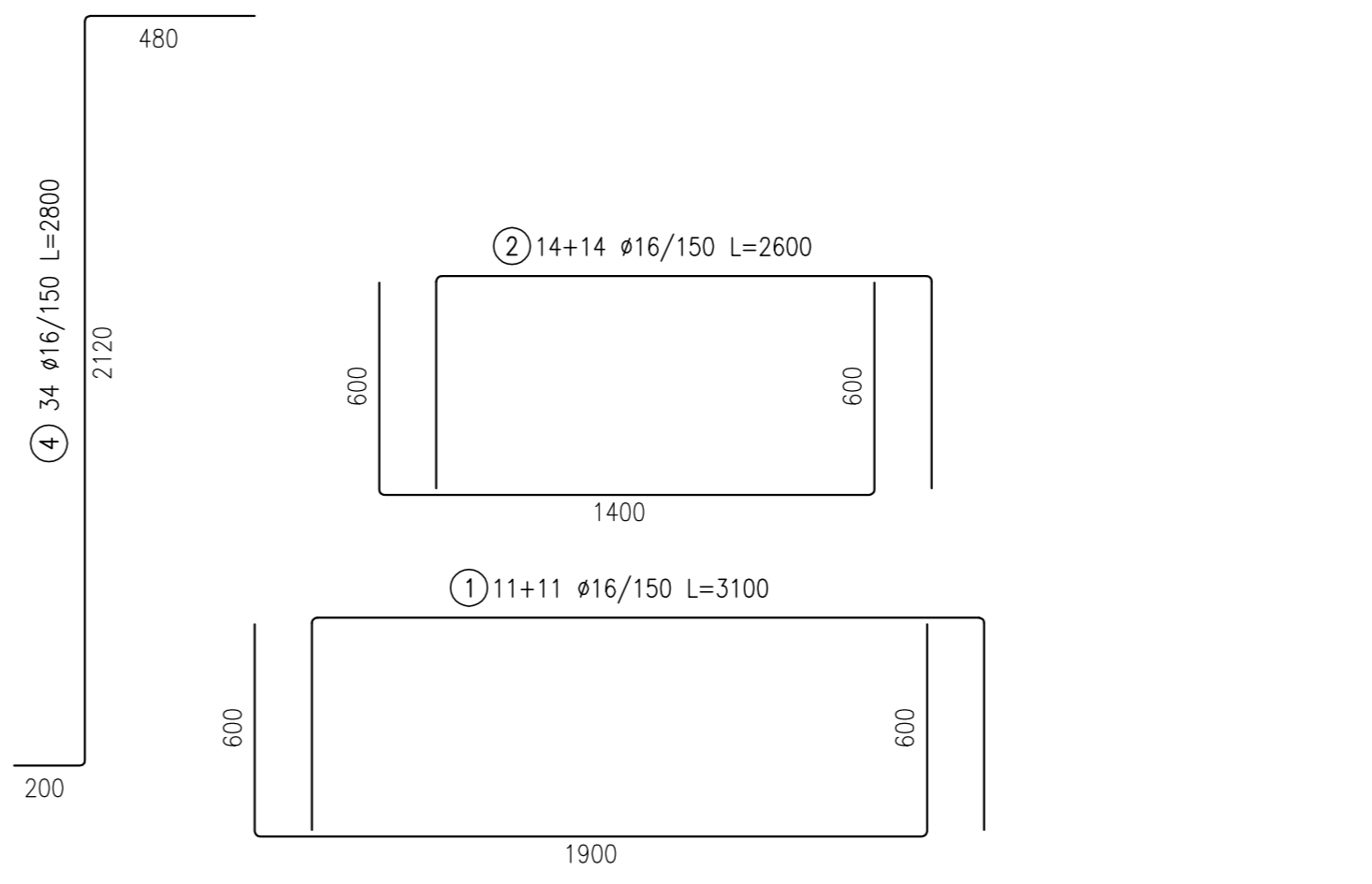
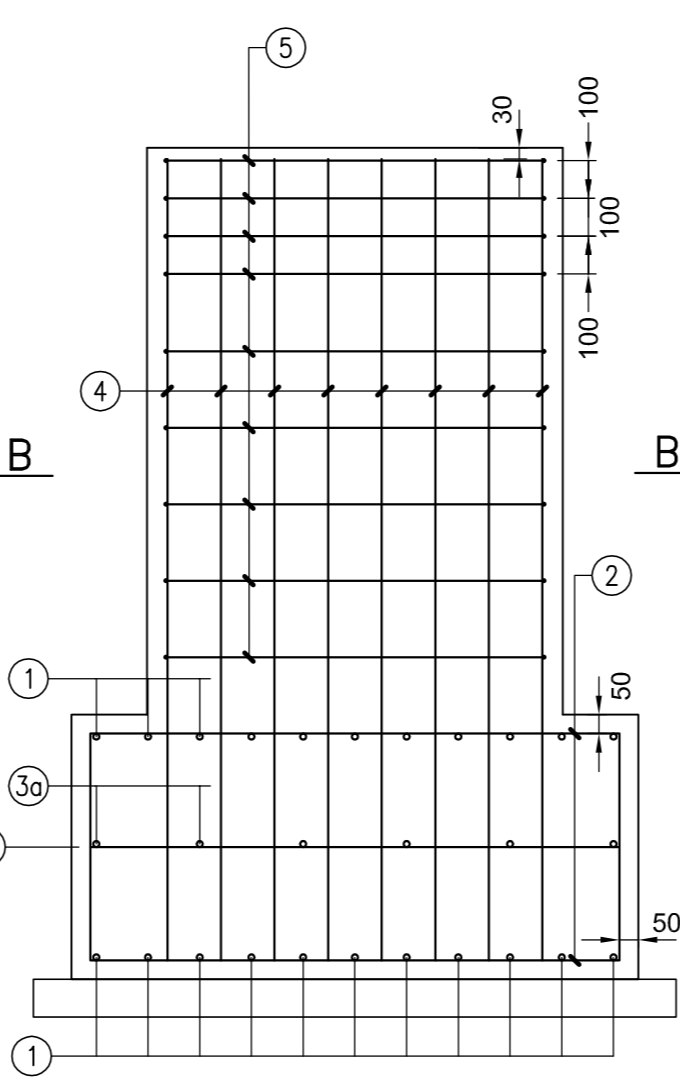
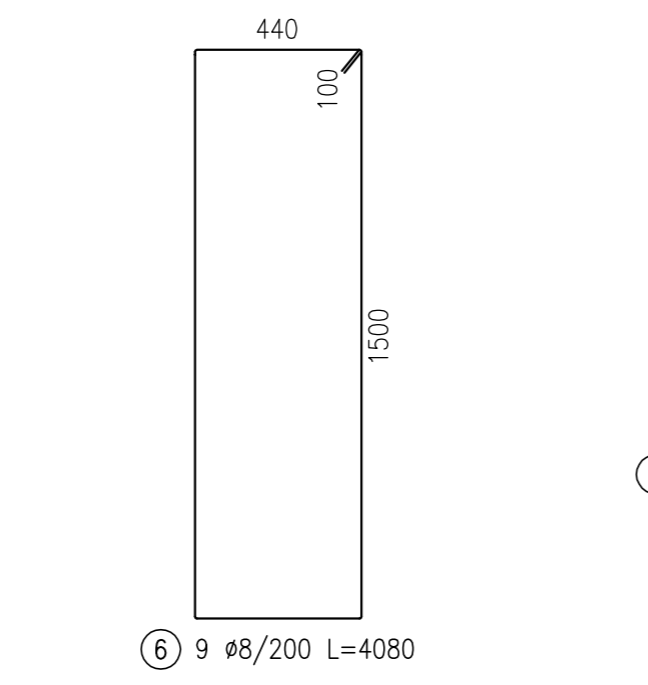
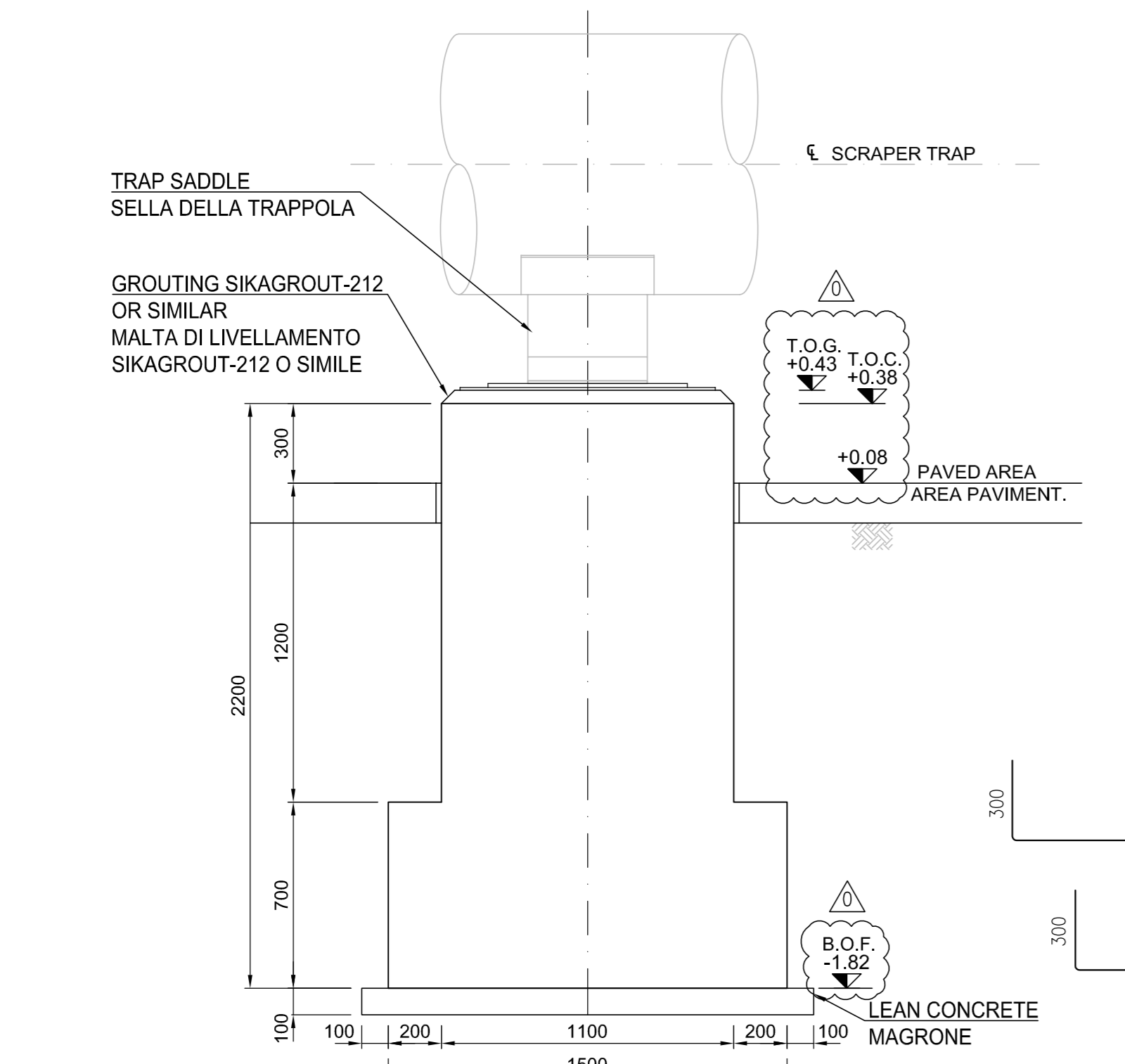
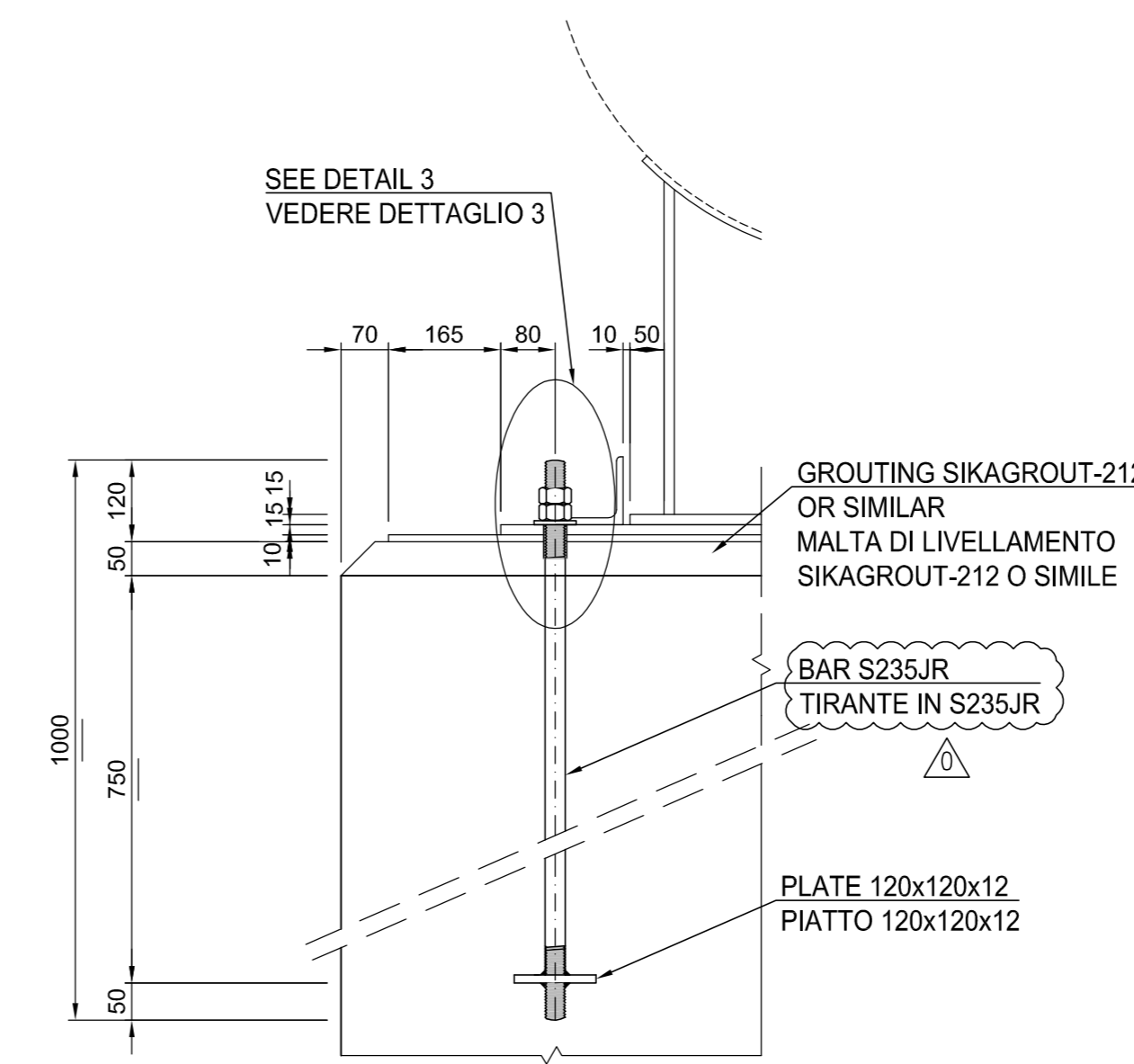
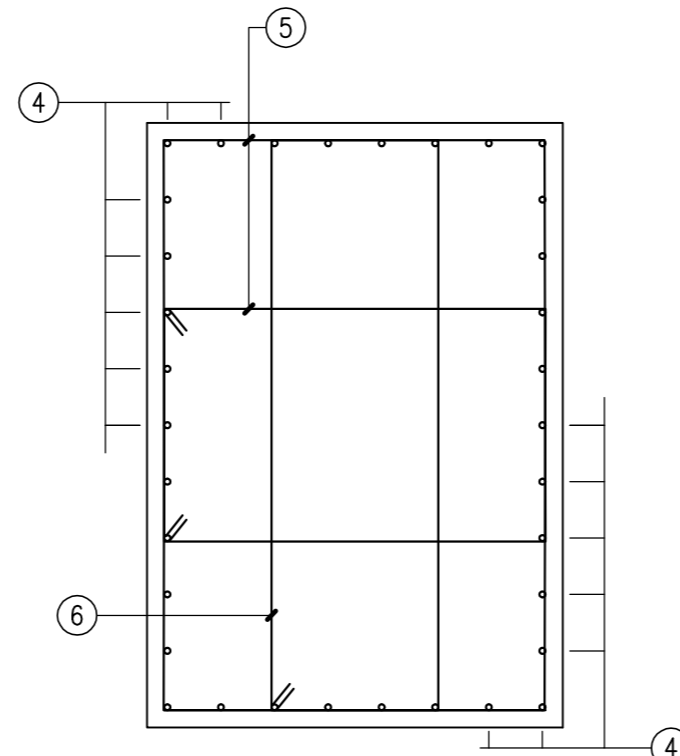
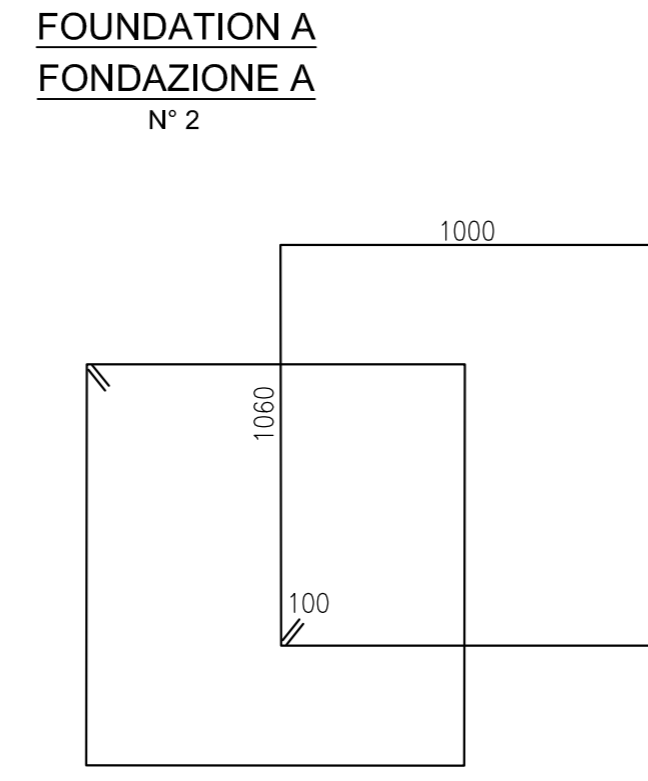
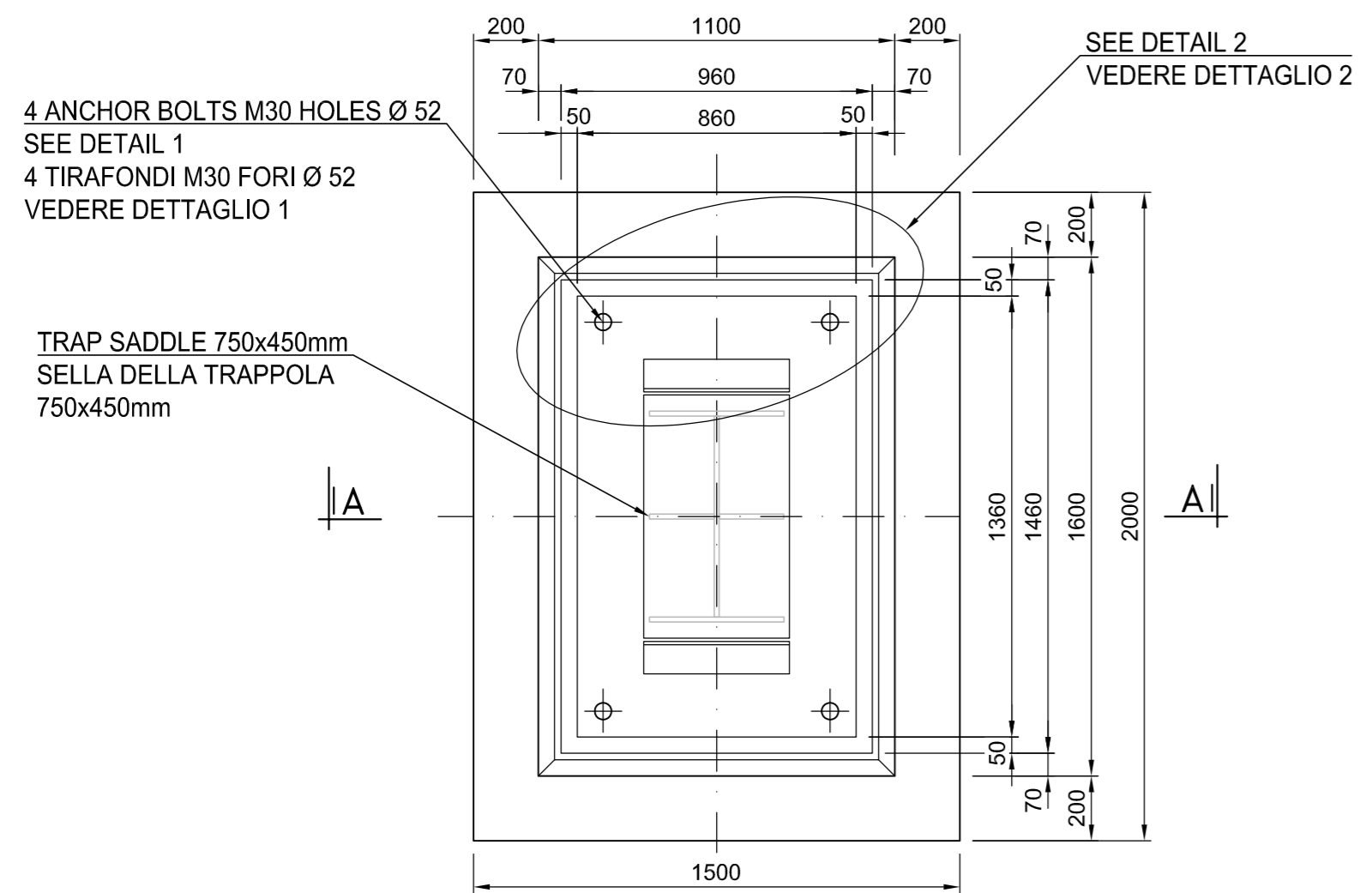
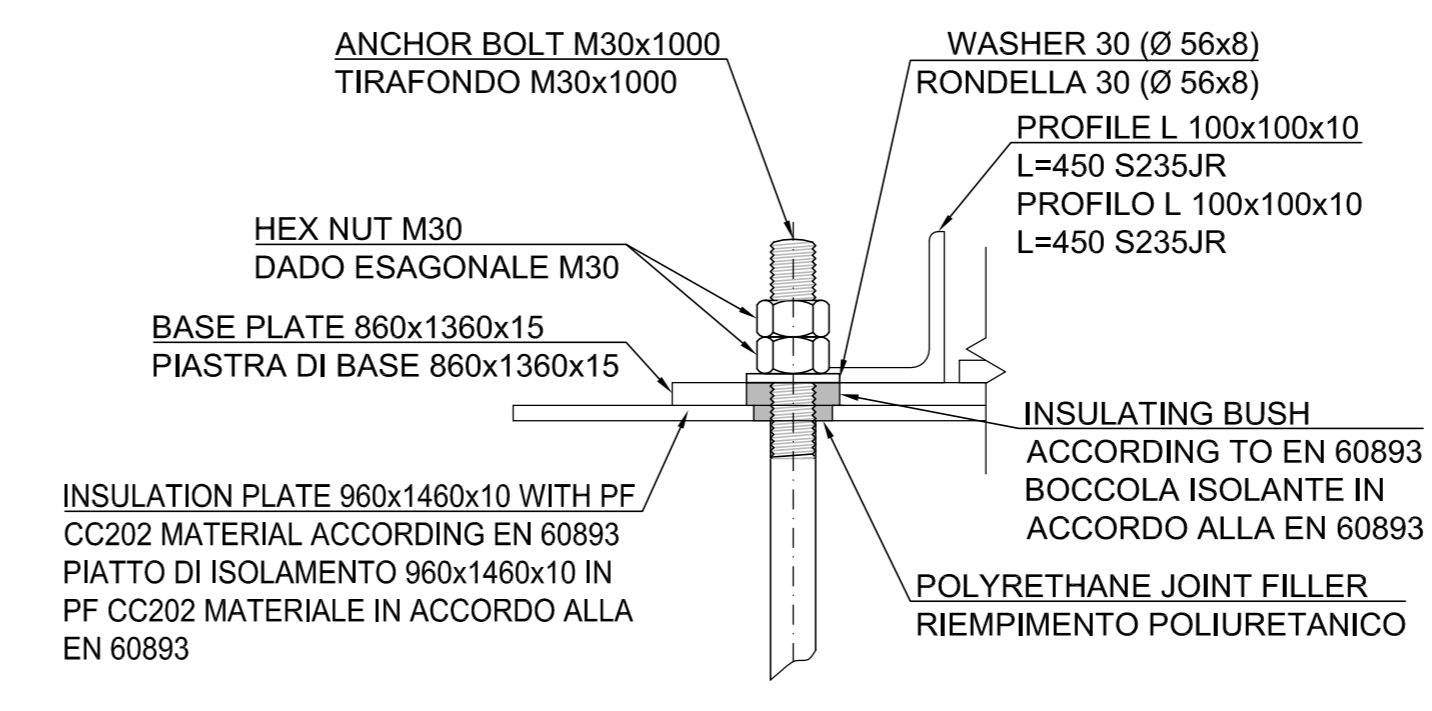
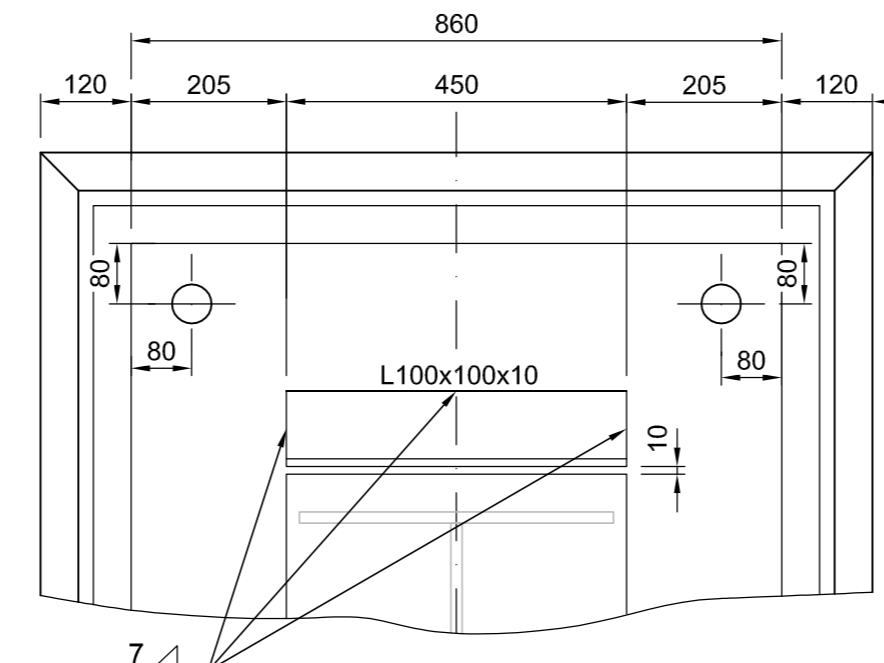
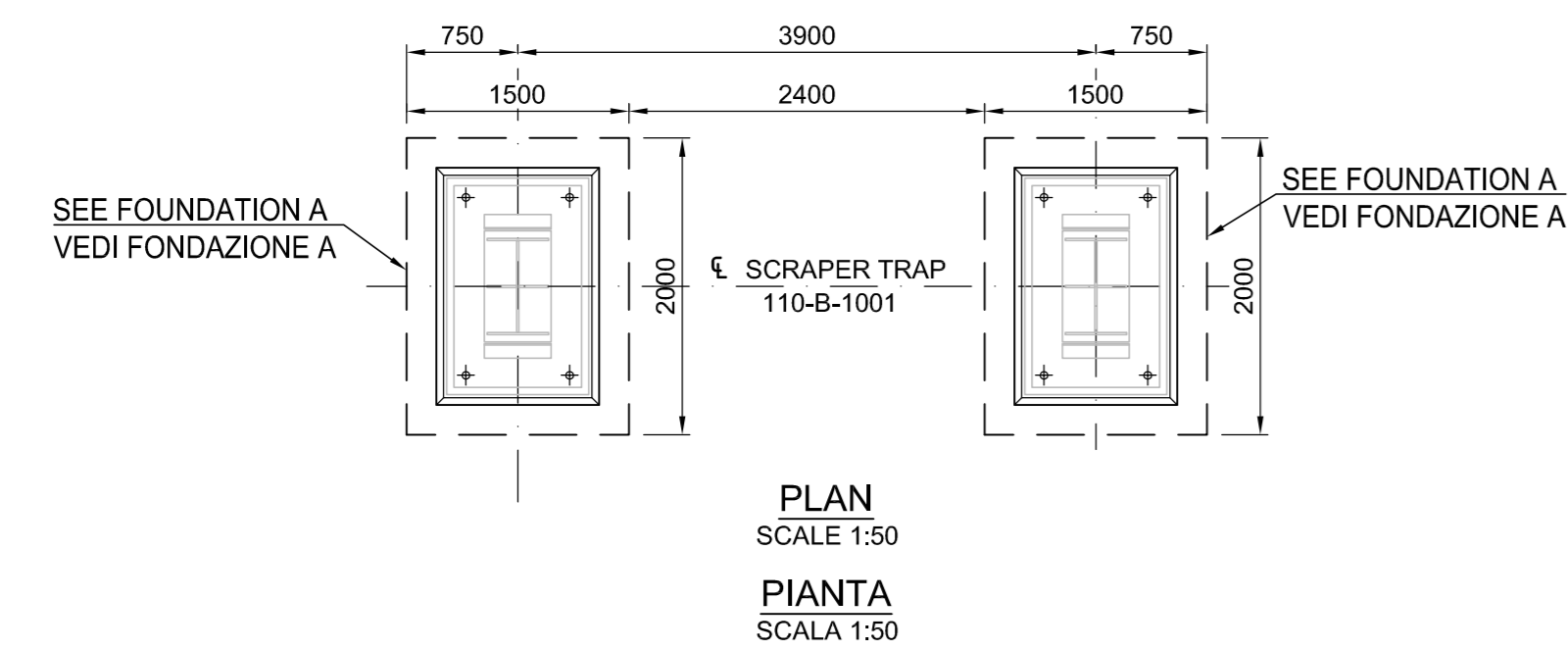
SUPPLIER DOCUMENT NUMBER P15103157-CIV-DW-000-006	REV. NO. 0	MAX STREICHER S.p.A.	ENERECO
--	---------------	----------------------	---------

0	ISSUED FOR CONSTRUCTION / EMISSIONE PER COSTRUZIONE	IFC	ALDOVANI	ALESSANDRO	ALBERTO	30/11/16
A	ISSUED FOR REVIEW / EMISSIONE PER REVISIONE	IFR	GIORGIO	ALESSANDRO	ALBERTO	11/11/16
REV.	DESCRIPTION	PREP	VFY	APPR	DATE	

PROJECT TITLE Trans Adriatic Pipeline Project/Onshore Pipeline Italy (OPL)	TAG NUMBERS
DRAWING TITLE Title SCAPER RECEIVER STATION - R.C. FOUNDATION FOR PIG TRAP - F. & R. SCAPER RECEIVER STATION - FONDAZIONE TRAPPOLA - CASSERATURA ED ARMATURA	PAGE 1 of 1

FORMAT A1	SCALE -	FACILITY CODE -	SYSTEM NO. -	RD CODE -	REVISION NO. 0
--------------	------------	--------------------	-----------------	--------------	-------------------

DRAWING NO. IPR01-C5522-961-Q-DQF-0002-01



ITEM	FOUND. Q.TY	mc	mc	mc	mc	Kg	m <sup>2</sup>	dmc
SCRAPER TRAP FOUNDATION	2	16,5	12,0	0,4	4,8	470	13,0	88,0