

Autorità di Sistema Portuale
del Mar Adriatico Centro Settentrionale

**APPROFONDIMENTO CANALI CANDIANO E BAIONA,
ADEGUAMENTO BANCHINE OPERATIVE ESISTENTI, NUOVO
TERMINAL IN PENISOLA TRATTATOLI E RIUTILIZZO DEL
MATERIALE ESTRATTO IN ATTUAZIONE AL P.R.P. VIGENTE 2007
I FASE**

PROGETTO DEFINITIVO

OGGETTO

BANCHINA TRATTAROLI NORD
(Relazione dei calcoli geotecnici e strutturali)

FILE

1114.STR.07.A - Relazione dei calcoli
geotecnici e strutturali

CODICE

1114.STR.07.A

SCALA

Rev.	Data	Causale
0	Set. 2014	Emissione
1	Set. 2017	Revisione generale
2		
3		

AUTORITÀ DI SISTEMA PORTUALE DEL
MARE ADRIATICO CENTRO SETTENTRIONALE

IL RESPONSABILE DEL PROCEDIMENTO
IL DIRETTORE TECNICO

(Ing. Fabio Maletti)



MINISTERO INFRASTRUTTURE E DEI TRASPORTI
PROVVEDITORATO INTERREGIONALE PER
LE OPERE PUBBLICHE PER LA LOMBARDIA
E L'EMILIA ROMAGNA

IL RESPONSABILE DELLA REVISIONE
DELLA PROGETTAZIONE

(Ing. Francesco Caldani)

PRESTAZIONI SPECIALISTICHE

Geotecnica



Direttore Tecnico : Ing. Paolo Ruggieri

Strutturale



Direttore Tecnico : Ing. Marco Tartaglino

Marittima



SEACON s.r.l.

Direttore Tecnico : Ing. Lucio Abbadesse



**PORTO DI
RAVENNA**

3 General information

General information	
Project	
Filename	Trattaroli Nord-solettone-DEF.P2DX
Directory	C:\Users\Alessandro\Desktop\Plaxis trattaroli nord\
Title	Trattaroli Nord
General	
Model	Plane strain
Elements	15-Noded
Acceleration	
Gravity angle	-90,00°
x-acceleration	0,000 G
y-acceleration	0,000 G
Earth gravity	9,810 m/s ²
Mesh	
Nr of soil elements	1812
Nr of nodes	15121
Average element size	1,829 m
Maximum element size	9,067 m
Minimum element size	0,09630 m
Comments	

3.1 Calculation information - Initial phase

Calculation information				
Step info				
Phase	Initial phase [InitialPhase]			
Step	Initial			
Calculation mode	Classical mode			
Step type	K0 procedure			
Kernel type	32 bit			
Extrapolation factor	0,000			
Relative stiffness	0,000			
Multipliers				
Soil weight			ΣM_{weight}	1,000
Strength reduction factor	M_{sf}	0,000	ΣM_{sf}	1,000
Time	Increment	0,000	End time	0,000
Staged construction				
Active proportion total area	M_{Area}	0,000	ΣM_{Area}	1,000
Active proportion of stage	M_{Stage}	0,000	ΣM_{Stage}	0,000
Forces				
F_x	0,000 kN/m			
F_y	0,000 kN/m			
Consolidation				
Realised $P_{Excess,Max}$	0,000 kN/m ²			

3.2 Calculation information - Paratia esistente

Calculation information				
Step info				
Phase	Paratia esistente [Phase_1]			
Step	Initial			
Calculation mode	Classical mode			
Step type	Plastic			
Updated mesh	False			
Solver type	Picos			
Kernel type	64 bit			
Extrapolation factor	0,06233			
Relative stiffness	0,8446			

Multipliers				
Soil weight			ΣM_{Weight}	1,000
Strength reduction factor	M_{sf}	0,000	ΣM_{sf}	1,000
Time	Increment	0,000	End time	0,000
Staged construction				
Active proportion total area	M_{Area}	3,460E-18	ΣM_{Area}	1,000
Active proportion of stage	M_{Stage}	0,02884	ΣM_{Stage}	1,000
Forces				
F_x	0,000 kN/m			
F_y	0,000 kN/m			
Consolidation				
Realised $P_{Excess,Max}$	0,000 kN/m ²			

3.3 Calculation information - Escavo +1m

Calculation information				
Step info				
Phase	Escavo +1m [Phase_2]			
Step	Initial			
Calculation mode	Classical mode			
Step type	Plastic			
Updated mesh	False			
Solver type	Picos			
Kernel type	64 bit			
Extrapolation factor	0,5393			
Relative stiffness	0,3118			
Multipliers				
Soil weight			ΣM_{Weight}	1,000
Strength reduction factor	M_{sf}	0,000	ΣM_{sf}	1,000
Time	Increment	0,000	End time	0,000
Staged construction				
Active proportion total area	M_{Area}	-0,2677E-3	ΣM_{Area}	0,9980
Active proportion of stage	M_{Stage}	0,09889	ΣM_{Stage}	1,000
Forces				
F_x	0,000 kN/m			
F_y	0,000 kN/m			
Consolidation				
Realised $P_{Excess,Max}$	0,000 kN/m ²			

3.4 Calculation information - Tirante p=196kN/m

Calculation information				
Step info				
Phase	Tirante p=196kN/m [Phase_3]			
Step	Initial			
Calculation mode	Classical mode			
Step type	Plastic			
Updated mesh	False			
Solver type	Picos			
Kernel type	64 bit			
Extrapolation factor	0,9938			
Relative stiffness	0,4315			
Multipliers				
Soil weight			ΣM_{Weight}	1,000
Strength reduction factor	M_{sf}	0,000	ΣM_{sf}	1,000
Time	Increment	0,000	End time	0,000
Staged construction				
Active proportion total area	M_{Area}	0,000	ΣM_{Area}	0,9980
Active proportion of stage	M_{Stage}	0,1816	ΣM_{Stage}	1,000
Forces				
F_x	0,000 kN/m			

F _y	0,000 kN/m			
Consolidation				
Realised P _{Excess,Max}	0,000 kN/m ²			

3.5 Calculation information - Escavo -11,50 m

Calculation information				
Step info				
Phase	Escavo -11,50 m [Phase_4]			
Step	Initial			
Calculation mode	Classical mode			
Step type	Plastic			
Updated mesh	False			
Solver type	Picos			
Kernel type	64 bit			
Extrapolation factor	0,3679			
Relative stiffness	0,1925			
Multipliers				
Soil weight			ΣM _{Weight}	1,000
Strength reduction factor	M _{sf}	0,000	ΣM _{sf}	1,000
Time	Increment	0,000	End time	0,000
Staged construction				
Active proportion total area	M _{Area}	-3,134E-3	ΣM _{Area}	0,9012
Active proportion of stage	M _{Stage}	6,114E-3	ΣM _{Stage}	1,000
Forces				
F _x	0,000 kN/m			
F _y	0,000 kN/m			
Consolidation				
Realised P _{Excess,Max}	0,000 kN/m ²			

3.6 Calculation information Ribasso a monte +1,0m

Calculation information				
Step info				
Phase	Ribasso a monte +1,0m [Phase_5]			
Step	Initial			
Calculation mode	Classical mode			
Step type	Plastic			
Updated mesh	False			
Solver type	Picos			
Kernel type	64 bit			
Extrapolation factor	1,000			
Relative stiffness	0,8683			
Multipliers				
Soil weight			ΣM _{Weight}	1,000
Strength reduction factor	M _{sf}	0,000	ΣM _{sf}	1,000
Time	Increment	0,000	End time	0,000
Staged construction				
Active proportion total area	M _{Area}	-2,353E-3	ΣM _{Area}	0,8965
Active proportion of stage	M _{Stage}	0,5000	ΣM _{Stage}	1,000
Forces				
F _x	0,000 kN/m			
F _y	0,000 kN/m			
Consolidation				
Realised P _{Excess,Max}	0,000 kN/m ²			

3.7 Calculation information Pali+solettone

Calculation information				
Step info				
Phase	Pali+solettone [Phase_6]			
Step	Initial			
Calculation mode	Classical mode			
Step type	Plastic			
Updated mesh	False			
Solver type	Picos			
Kernel type	64 bit			
Extrapolation factor	0,04856			
Relative stiffness	0,6047			
Multipliers				
Soil weight			ΣM_{Weight}	1,000
Strength reduction factor	M_{sf}	0,000	ΣM_{sf}	1,000
Time	Increment	0,000	End time	0,000
Staged construction				
Active proportion total area	M_{Area}	0,05356E-3	ΣM_{Area}	0,8987
Active proportion of stage	M_{Stage}	0,02170	ΣM_{Stage}	1,000
Forces				
F_X	0,000 kN/m			
F_Y	0,000 kN/m			
Consolidation				
Realised $P_{Excess,Max}$	0,000 kN/m ²			

3.8 Calculation information - nuovi tiranti

Calculation information				
Step info				
Phase	nuovi tiranti [Phase_7]			
Step	Initial			
Calculation mode	Classical mode			
Step type	Plastic			
Updated mesh	False			
Solver type	Picos			
Kernel type	64 bit			
Extrapolation factor	0,01422			
Relative stiffness	0,1874			
Multipliers				
Soil weight			ΣM_{Weight}	1,000
Strength reduction factor	M_{sf}	0,000	ΣM_{sf}	1,000
Time	Increment	0,000	End time	0,000
Staged construction				
Active proportion total area	M_{Area}	0,000	ΣM_{Area}	0,8987
Active proportion of stage	M_{Stage}	2,693E-3	ΣM_{Stage}	1,000
Forces				
F_X	0,000 kN/m			
F_Y	0,000 kN/m			
Consolidation				
Realised $P_{Excess,Max}$	0,000 kN/m ²			

3.9 Calculation information - Rinterro +2,50m

Calculation information				
Step info				
Phase	Rinterro +2,50m [Phase_8]			
Step	Initial			
Calculation mode	Classical mode			
Step type	Plastic			
Updated mesh	False			

Solver type	Picos			
Kernel type	64 bit			
Extrapolation factor	0,1657			
Relative stiffness	0,6939			
Multipliers				
Soil weight			ΣM_{Weight}	1,000
Strength reduction factor	M_{sf}	0,000	ΣM_{sf}	1,000
Time	Increment	0,000	End time	0,000
Staged construction				
Active proportion total area	M_{Area}	0,2071E-3	ΣM_{Area}	0,9012
Active proportion of stage	M_{Stage}	0,07267	ΣM_{Stage}	1,000
Forces				
F_x	0,000 kN/m			
F_y	0,000 kN/m			
Consolidation				
Realised $P_{Excess,Max}$	0,000 kN/m ²			

3.10 Calculation information - Escavo -15,0m

Calculation information				
Step info				
Phase	Escavo -15,0m [Phase_9]			
Step	Initial			
Calculation mode	Classical mode			
Step type	Plastic			
Updated mesh	False			
Solver type	Picos			
Kernel type	64 bit			
Extrapolation factor	0,3926			
Relative stiffness	0,1493			
Multipliers				
Soil weight			ΣM_{Weight}	1,000
Strength reduction factor	M_{sf}	0,000	ΣM_{sf}	1,000
Time	Increment	0,000	End time	0,000
Staged construction				
Active proportion total area	M_{Area}	-2,543E-3	ΣM_{Area}	0,8765
Active proportion of stage	M_{Stage}	0,01479	ΣM_{Stage}	1,000
Forces				
F_x	0,000 kN/m			
F_y	0,000 kN/m			
Consolidation				
Realised $P_{Excess,Max}$	0,000 kN/m ²			

3.11 Calculation information - SLE q=60kPa b=40kN/m

Calculation information				
Step info				
Phase	SLE q=60kPa b=40kN/m [Phase_10]			
Step	Initial			
Calculation mode	Classical mode			
Step type	Plastic			
Updated mesh	False			
Solver type	Picos			
Kernel type	64 bit			
Extrapolation factor	0,3154			
Relative stiffness	0,1180			
Multipliers				
Soil weight			ΣM_{Weight}	1,000
Strength reduction factor	M_{sf}	0,000	ΣM_{sf}	1,000
Time	Increment	0,000	End time	0,000
Staged construction				

Active proportion total area	M_{Area}	0,000	ΣM_{Area}	0,8765
Active proportion of stage	M_{Stage}	0,02551	ΣM_{Stage}	1,000
Forces				
F_x	0,000 kN/m			
F_y	0,000 kN/m			
Consolidation				
Realised $P_{Excess,Max}$	0,000 kN/m ²			

3.12 Calculation information SLU11 q=69kPa b=46kN/m

Calculation information				
Step info				
Phase	SLU11 q=69kPa b=46kN/m [Phase_11]			
Step	Initial			
Calculation mode	Classical mode			
Step type	Plastic			
Updated mesh	False			
Solver type	Picos			
Kernel type	64 bit			
Extrapolation factor	0,5545			
Relative stiffness	0,07096			
Multipliers				
Soil weight			ΣM_{Weight}	1,000
Strength reduction factor	M_{sf}	0,000	ΣM_{sf}	1,000
Time	Increment	0,000	End time	0,000
Staged construction				
Active proportion total area	M_{Area}	0,000	ΣM_{Area}	0,8765
Active proportion of stage	M_{Stage}	0,07819	ΣM_{Stage}	1,000
Forces				
F_x	0,000 kN/m			
F_y	0,000 kN/m			
Consolidation				
Realised $P_{Excess,Max}$	0,000 kN/m ²			

3.13 Calculation information - q=78kPa b=52kN/m

Calculation information				
Step info				
Phase	q=78kPa b=52kN/m [Phase_12]			
Step	Initial			
Calculation mode	Classical mode			
Step type	Plastic			
Updated mesh	False			
Solver type	Picos			
Kernel type	64 bit			
Extrapolation factor	0,05669			
Relative stiffness	0,05780			
Multipliers				
Soil weight			ΣM_{Weight}	1,000
Strength reduction factor	M_{sf}	0,000	ΣM_{sf}	1,000
Time	Increment	0,000	End time	0,000
Staged construction				
Active proportion total area	M_{Area}	0,000	ΣM_{Area}	0,8765
Active proportion of stage	M_{Stage}	8,124E-3	ΣM_{Stage}	1,000
Forces				
F_x	0,000 kN/m			
F_y	0,000 kN/m			
Consolidation				
Realised $P_{Excess,Max}$	0,000 kN/m ²			

3.14 Calculation information - SLU12

Calculation information				
Step info				
Phase	SLU12 [Phase_13]			
Step	Initial			
Calculation mode	Classical mode			
Step type	Plastic			
Updated mesh	False			
Solver type	Picos			
Kernel type	64 bit			
Extrapolation factor	0,9292			
Relative stiffness	0,02887			
Multipliers				
Soil weight			ΣM_{Weight}	1,000
Strength reduction factor	M_{sf}	0,000	ΣM_{sf}	1,000
Time	Increment	0,000	End time	0,000
Staged construction				
Active proportion total area	M_{Area}	0,000	ΣM_{Area}	0,8765
Active proportion of stage	M_{Stage}	0,02344	ΣM_{Stage}	1,000
Forces				
F_X	0,000 kN/m			
F_Y	0,000 kN/m			
Consolidation				
Realised $P_{Excess,Max}$	0,000 kN/m ²			

3.15 Calculation information- q=48kPa+west SLV

Calculation information				
Step info				
Phase	q=48kPa+west SLV [Phase_14]			
Step	Initial			
Calculation mode	Classical mode			
Step type	Plastic			
Updated mesh	False			
Solver type	Picos			
Kernel type	64 bit			
Extrapolation factor	0,8193			
Relative stiffness	0,3670			
Multipliers				
Soil weight			ΣM_{Weight}	1,000
Strength reduction factor	M_{sf}	0,000	ΣM_{sf}	1,000
Time	Increment	0,000	End time	0,000
Staged construction				
Active proportion total area	M_{Area}	0,000	ΣM_{Area}	0,8765
Active proportion of stage	M_{Stage}	0,2455	ΣM_{Stage}	1,000
Forces				
F_X	0,000 kN/m			
F_Y	0,000 kN/m			
Consolidation				
Realised $P_{Excess,Max}$	0,000 kN/m ²			

3.16 Calculation information - SLV

Calculation information				
Step info				
Phase	SLV [Phase_15]			
Step	Initial			
Calculation mode	Classical mode			
Step type	Plastic			
Updated mesh	False			

Solver type	Picos			
Kernel type	64 bit			
Extrapolation factor	1,236			
Relative stiffness	0,05075			
Multipliers				
Soil weight			ΣM_{Weight}	1,000
Strength reduction factor	M_{sf}	0,000	ΣM_{sf}	1,000
Time	Increment	0,000	End time	0,000
Staged construction				
Active proportion total area	M_{Area}	0,000	ΣM_{Area}	0,8765
Active proportion of stage	M_{Stage}	0,01980	ΣM_{Stage}	1,000
Forces				
F_x	0,000 kN/m			
F_y	0,000 kN/m			
Consolidation				
Realised $P_{\text{Excess,Max}}$	0,000 kN/m ²			
Pseudo-static acceleration				
X	0,06000 m/s ²			
Y	0,000 m/s ²			

3.17 Calculation information - q=48kPa+west SLD

Calculation information				
Step info				
Phase	q=48kPa+west SLD [Phase_16]			
Step	Initial			
Calculation mode	Classical mode			
Step type	Plastic			
Updated mesh	False			
Solver type	Picos			
Kernel type	64 bit			
Extrapolation factor	1,000			
Relative stiffness	0,7394			
Multipliers				
Soil weight			ΣM_{Weight}	1,000
Strength reduction factor	M_{sf}	0,000	ΣM_{sf}	1,000
Time	Increment	0,000	End time	0,000
Staged construction				
Active proportion total area	M_{Area}	0,000	ΣM_{Area}	0,8765
Active proportion of stage	M_{Stage}	0,5000	ΣM_{Stage}	1,000
Forces				
F_x	0,000 kN/m			
F_y	0,000 kN/m			
Consolidation				
Realised $P_{\text{Excess,Max}}$	0,000 kN/m ²			

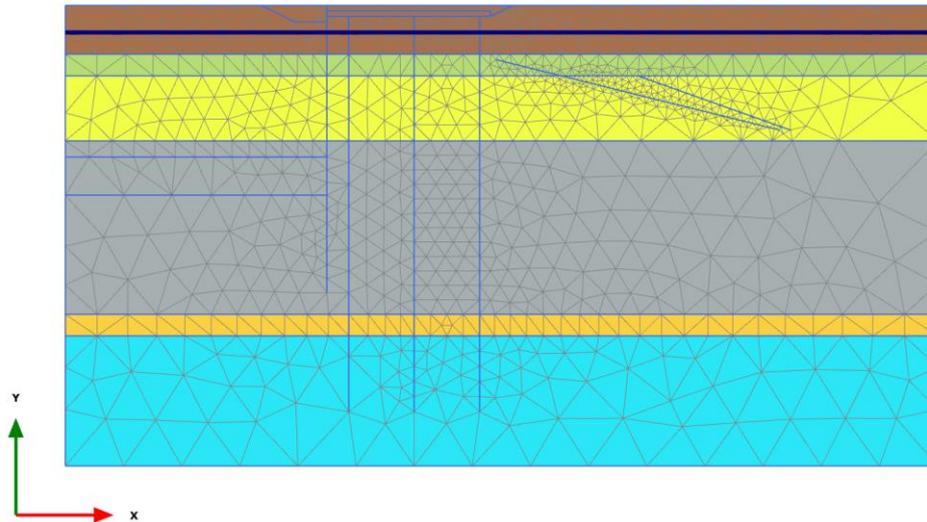
3.18 Calculation information - SLD

Calculation information				
Step info				
Phase	SLD [Phase_17]			
Step	Initial			
Calculation mode	Classical mode			
Step type	Plastic			
Updated mesh	False			
Solver type	Picos			
Kernel type	64 bit			
Extrapolation factor	0,05871			
Relative stiffness	0,06736			
Multipliers				
Soil weight			ΣM_{Weight}	1,000

Strength reduction factor	M_{sf}	0,000	ΣM_{sf}	1,000
Time	Increment	0,000	End time	0,000
Staged construction				
Active proportion total area	M_{Area}	0,000	ΣM_{Area}	0,8765
Active proportion of stage	M_{Stage}	3,731E-3	ΣM_{Stage}	1,000
Forces				
F_x	0,000 kN/m			
F_y	0,000 kN/m			
Consolidation				
Realised $P_{Excess,Max}$	0,000 kN/m ²			
Pseudo-static acceleration				
X	0,03400 m/s ²			
Y	0,000 m/s ²			

4 Calculation results - Total displacements u_x

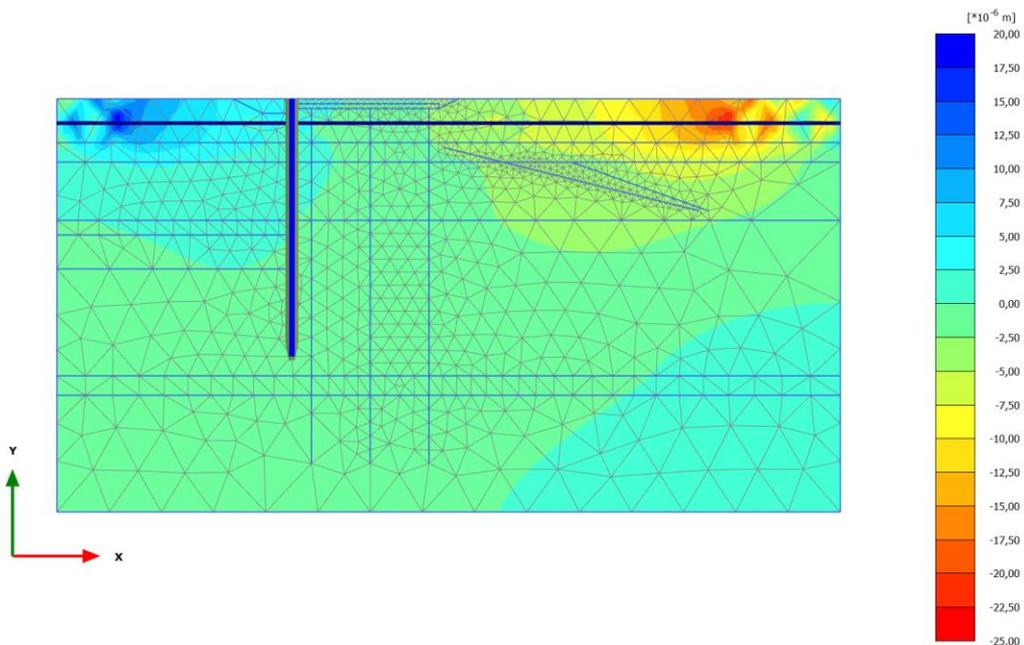
4.1 Initial phase [InitialPhase] (0/0)



Total displacements u_x

Uniform value of 0,000 m

4.2 Paratia esistente [Phase_1] (1/3)

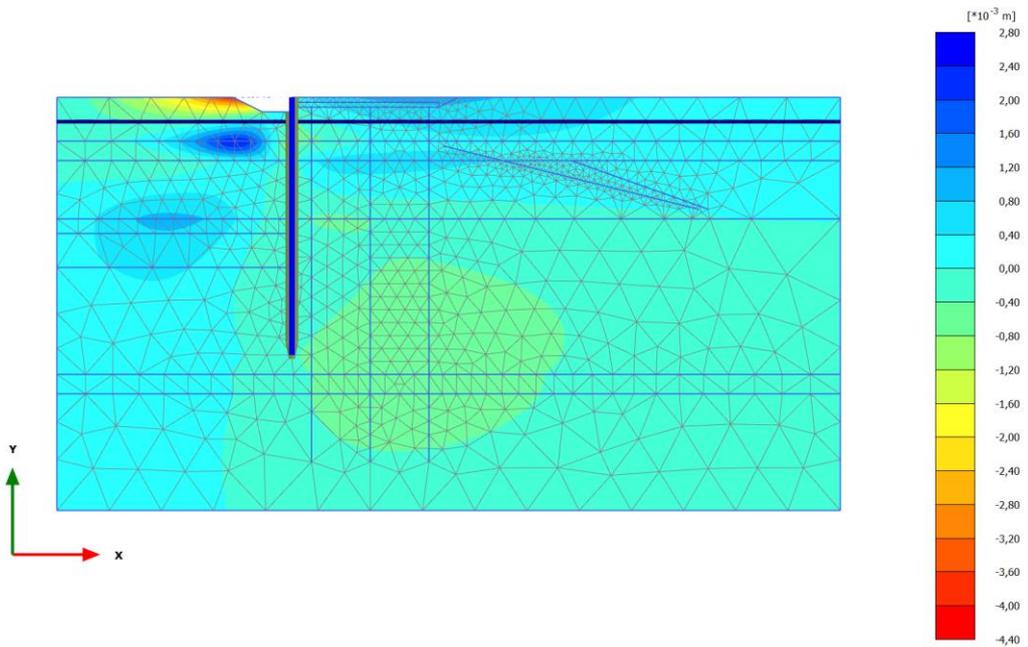


Total displacements u_x

Maximum value = $0,01912 \cdot 10^{-3}$ m (Element 202 at Node 391)

Minimum value = $-0,02256 \cdot 10^{-3}$ m (Element 194 at Node 13913)

4.3 Escavo +1m [Phase_2] (2/7)

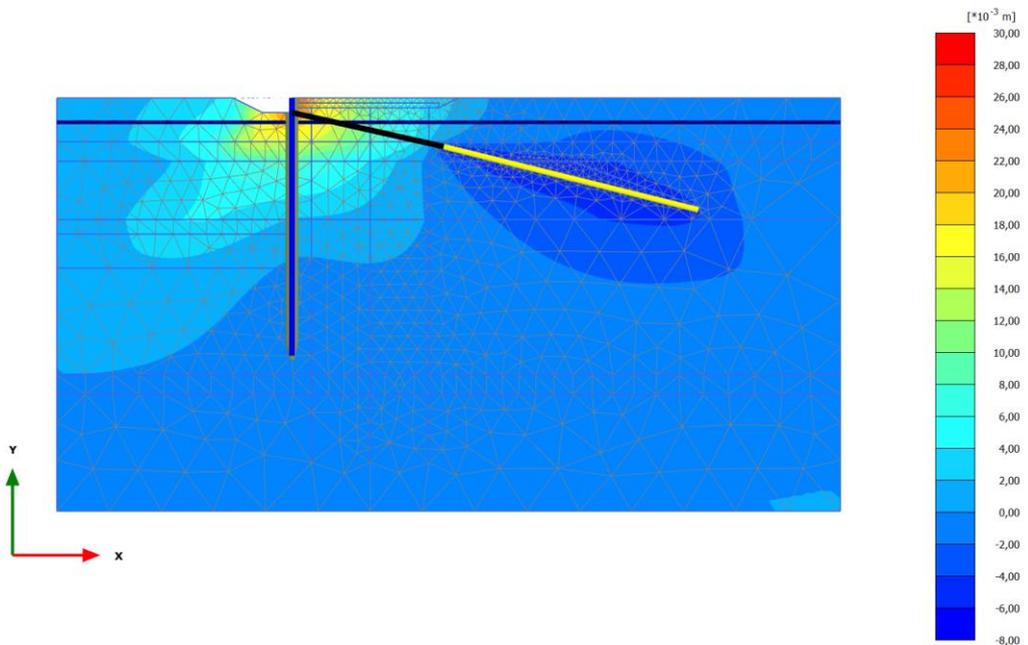


Total displacements u_x

Maximum value = $2,417 \cdot 10^{-3}$ m (Element 218 at Node 1849)

Minimum value = $-4,073 \cdot 10^{-3}$ m (Element 205 at Node 1975)

4.4 Tirante p=196kN/m [Phase_3] (3/13)

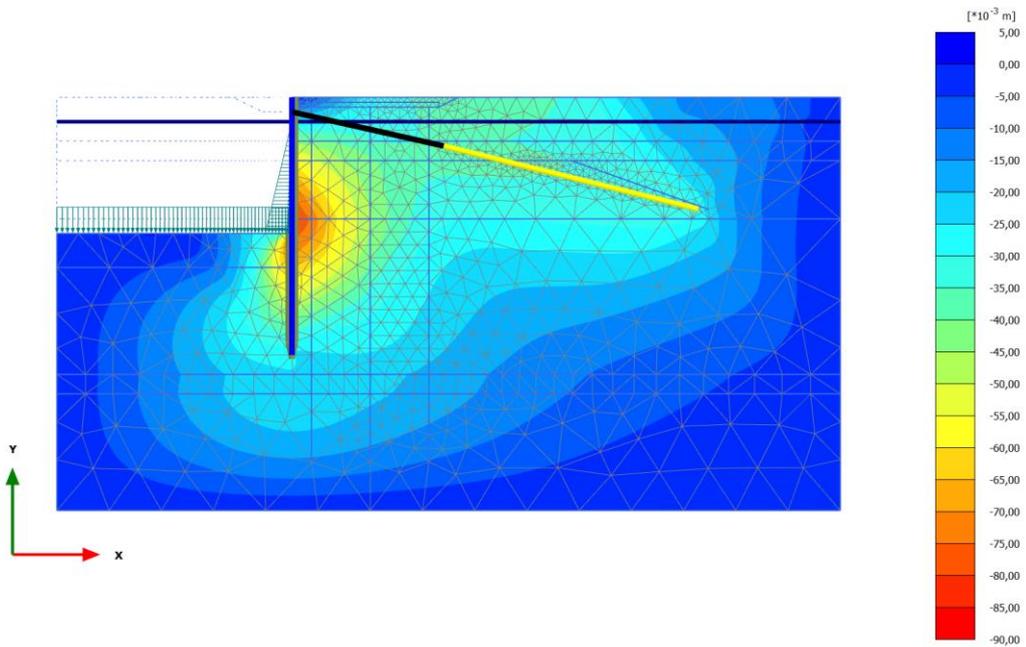


Total displacements u_x

Maximum value = 0,02830 m (Element 30 at Node 3253)

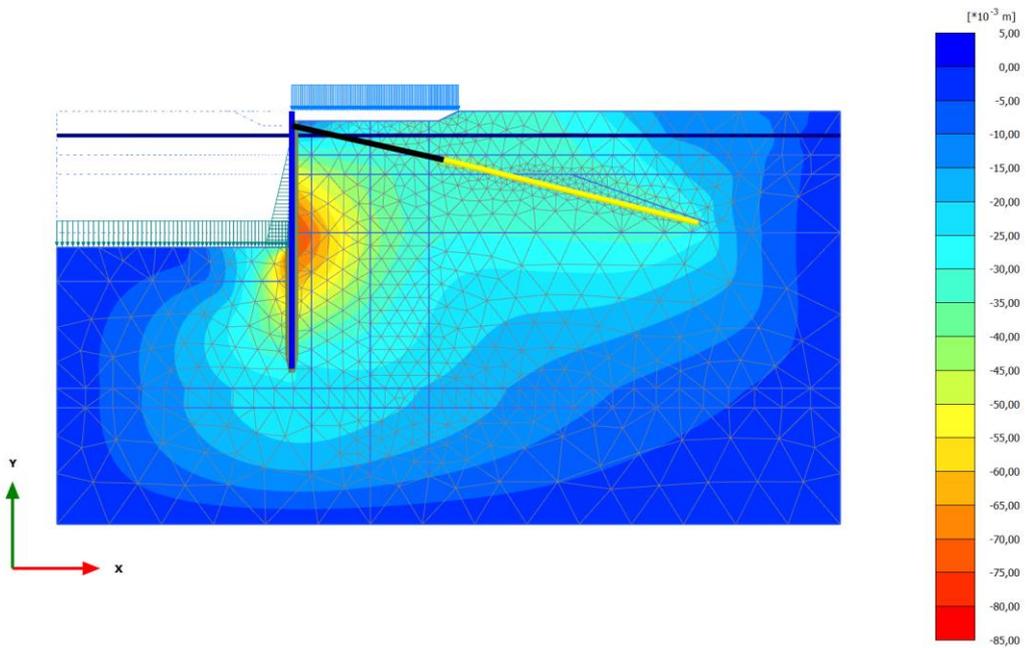
Minimum value = $-7,897 \cdot 10^{-3}$ m (Element 379 at Node 9556)

4.5 Escavo -11,50 m [Phase_4] (4/21)



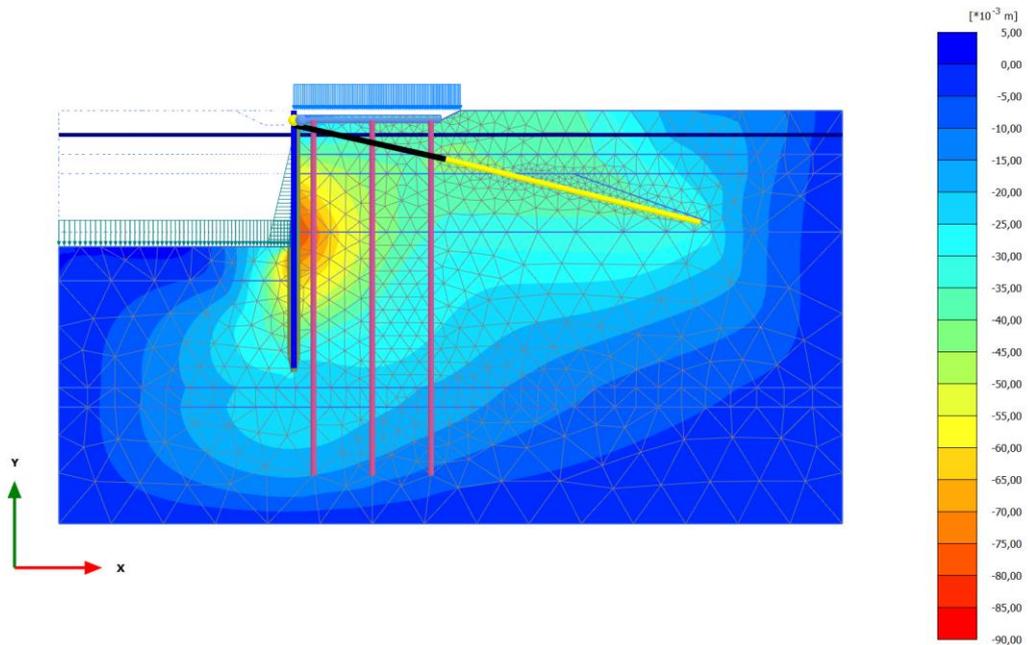
Total displacements u_x
Maximum value = $0,7636 \cdot 10^{-3}$ m (Element 30 at Node 3253)
Minimum value = $-0,08554$ m (Element 1098 at Node 2776)

4.6 Ribasso a monte +1,0m [Phase_5] (5/23)



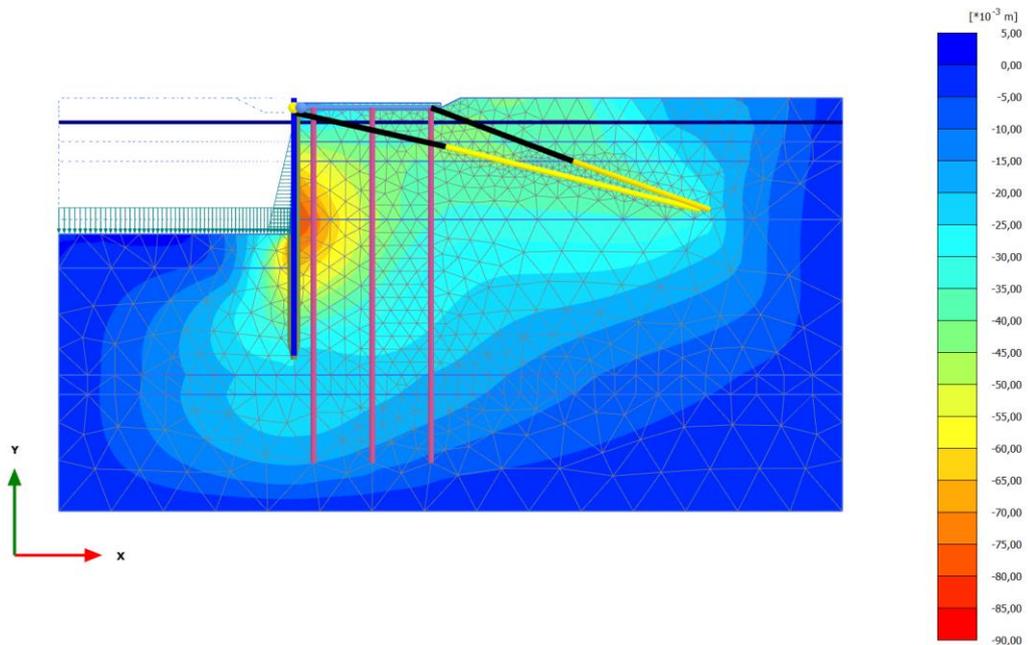
Total displacements u_x
Maximum value = $0,000$ m (Element 103 at Node 12552)
Minimum value = $-0,08455$ m (Element 1098 at Node 2776)

4.7 Pali+solettone [Phase_6] (6/26)



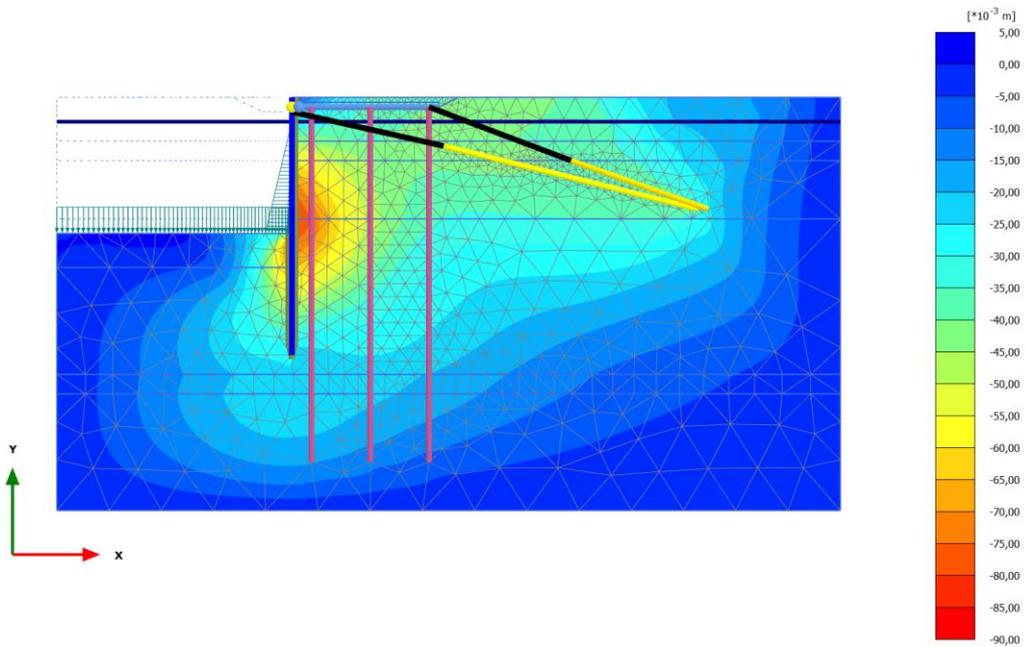
Total displacements u_x
Maximum value = $2,139 \cdot 10^{-3}$ m (Element 1075 at Node 450)
Minimum value = -0,08569 m (Element 1098 at Node 2776)

4.8 nuovi tiranti [Phase_7] (7/51)



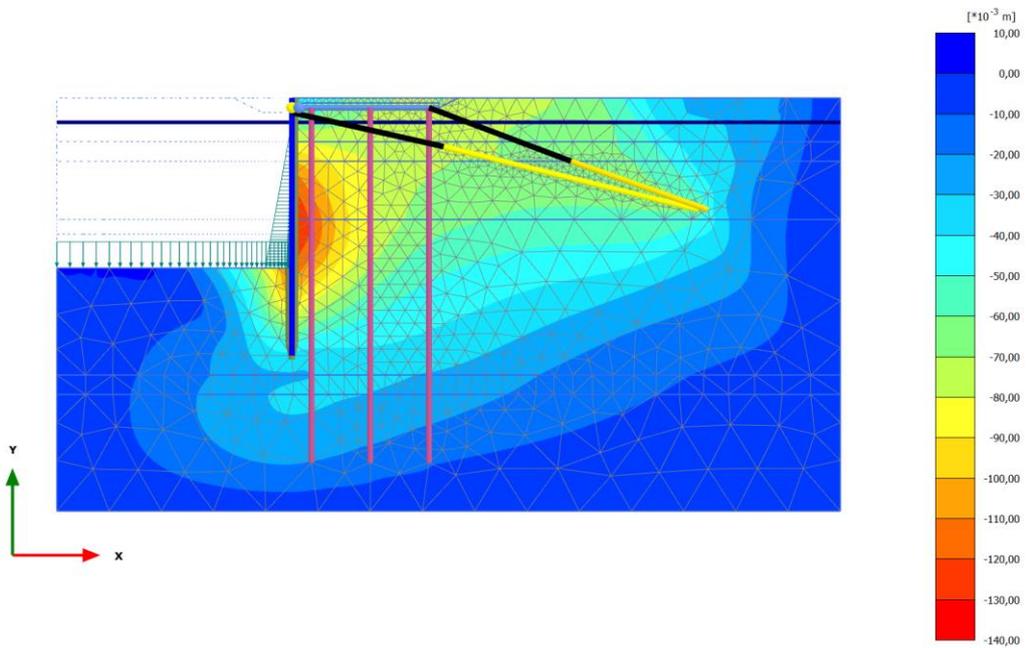
Total displacements u_x
Maximum value = $2,079 \cdot 10^{-3}$ m (Element 1075 at Node 450)
Minimum value = -0,08722 m (Element 1098 at Node 2776)

4.9 Rinterro +2,50m [Phase_8] (8/54)



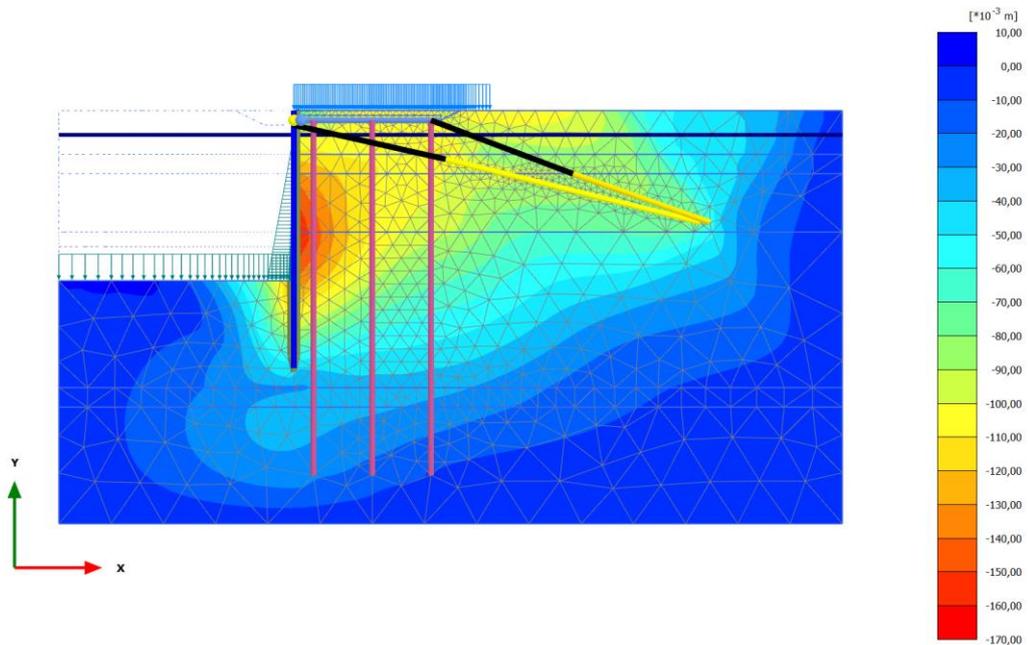
Total displacements u_x
Maximum value = $2,445 \cdot 10^{-3}$ m (Element 1075 at Node 450)
Minimum value = $-0,08764$ m (Element 1098 at Node 2776)

4.10 Escavo -15,0m [Phase_9] (9/62)



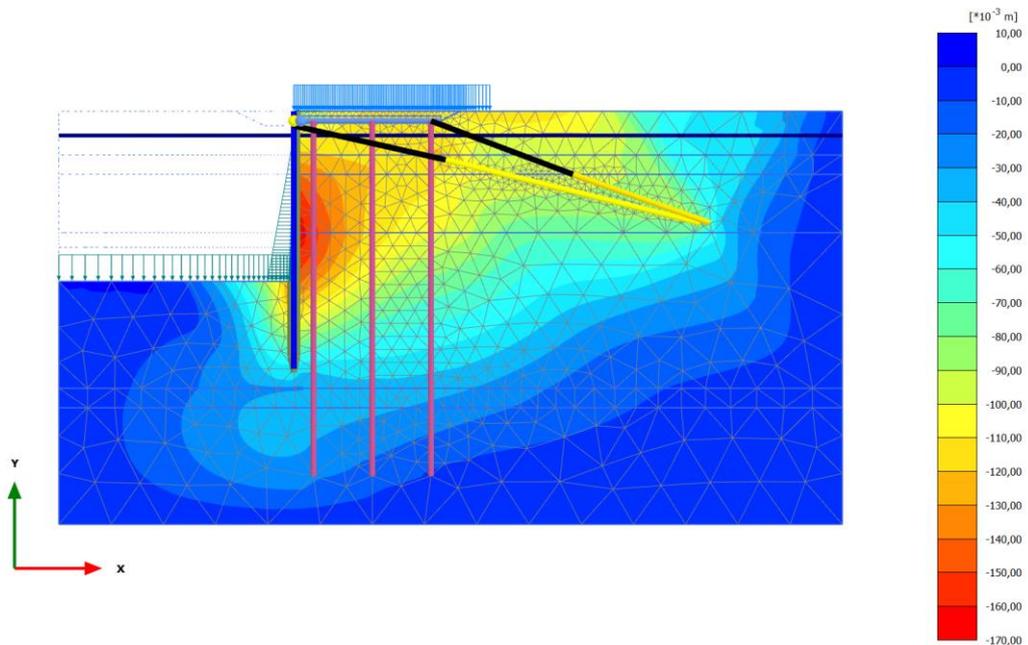
Total displacements u_x
Maximum value = $1,374 \cdot 10^{-3}$ m (Element 1431 at Node 499)
Minimum value = $-0,1328$ m (Element 569 at Node 3858)

4.11 SLE q=60kPa b=40kN/m [Phase_10] (10/72)



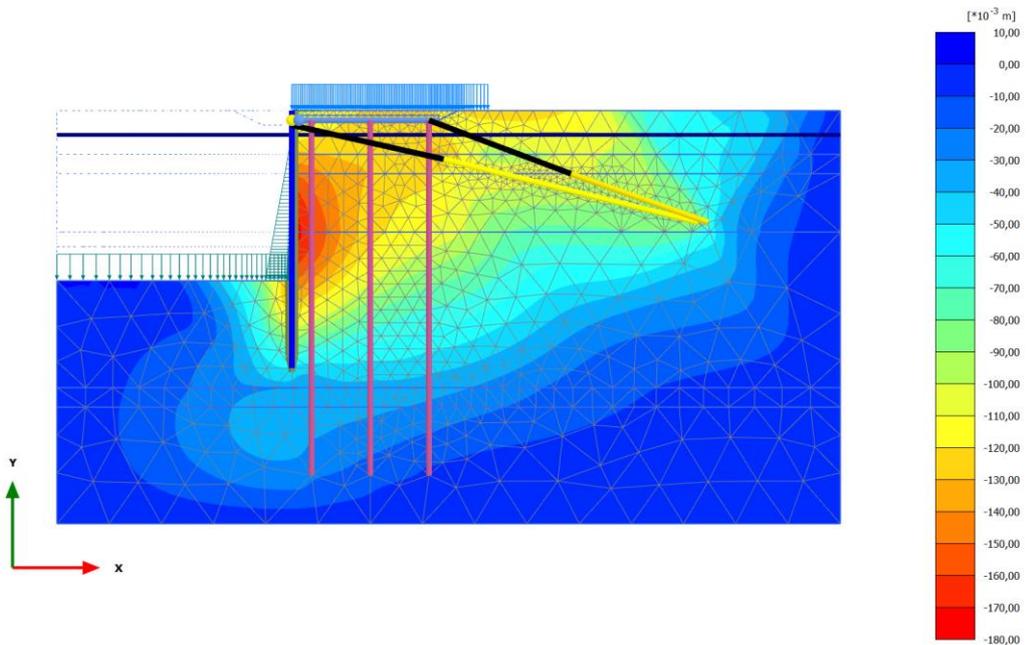
Total displacements u_x
Maximum value = $1,864 \cdot 10^{-3}$ m (Element 1431 at Node 499)
Minimum value = -0,1606 m (Element 569 at Node 3858)

4.12 SLU11 q=69kPa b=46kN/m [Phase_11] (11/79)



Total displacements u_x
Maximum value = $1,642 \cdot 10^{-3}$ m (Element 1431 at Node 499)
Minimum value = -0,1683 m (Element 569 at Node 3858)

4.13 $q=78\text{kPa}$ $b=52\text{kN/m}$ [Phase_12] (12/87)

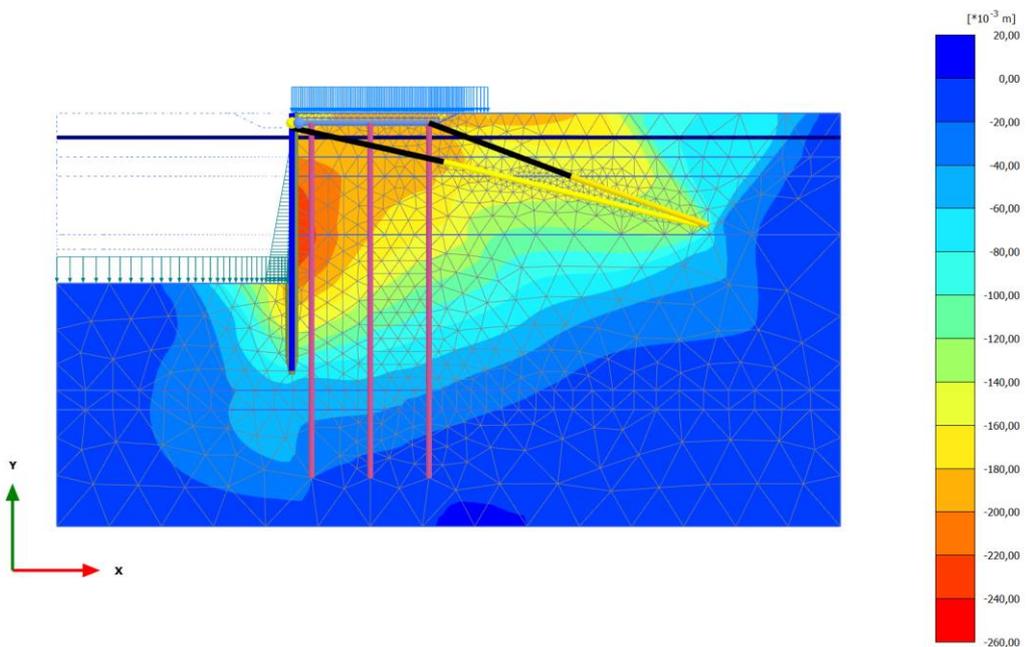


Total displacements u_x

Maximum value = $1,247 \cdot 10^{-3}$ m (Element 1431 at Node 499)

Minimum value = -0,1765 m (Element 569 at Node 3858)

4.14 SLU12 [Phase_13] (13/124)

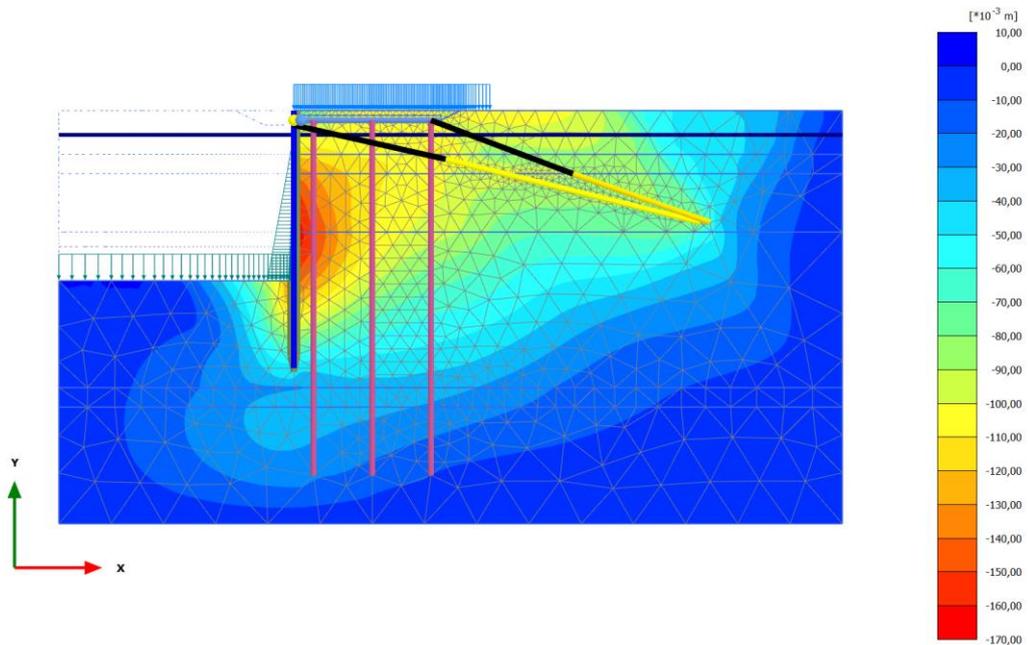


Total displacements u_x

Maximum value = $0,4105 \cdot 10^{-3}$ m (Element 1623 at Node 5404)

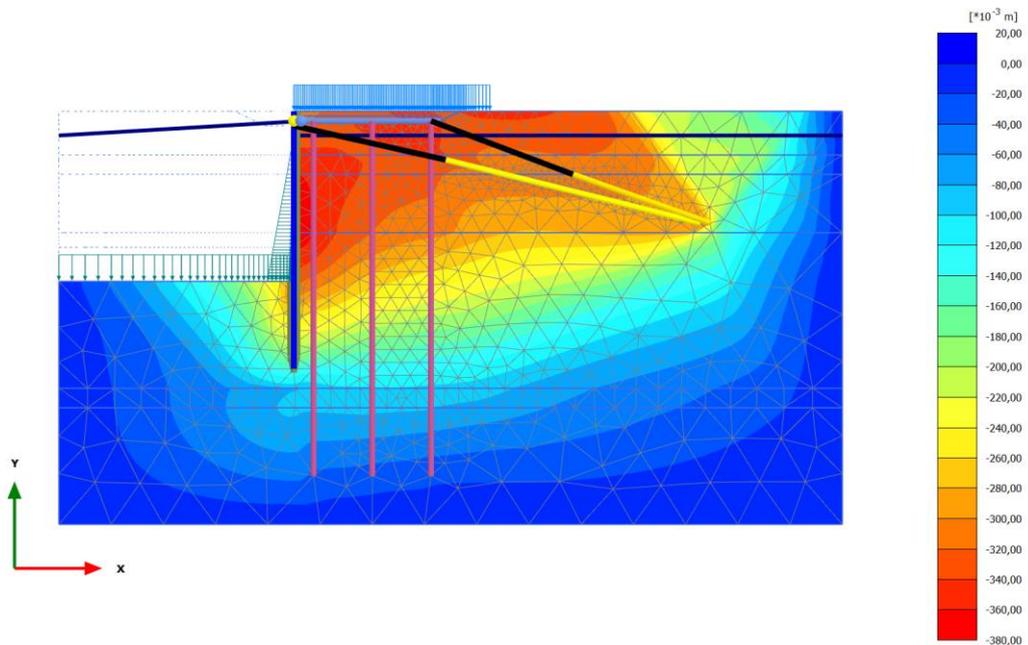
Minimum value = -0,2404 m (Element 569 at Node 3859)

4.15 $q=48\text{kPa}+\text{west SLV}$ [Phase_14] (15/128)



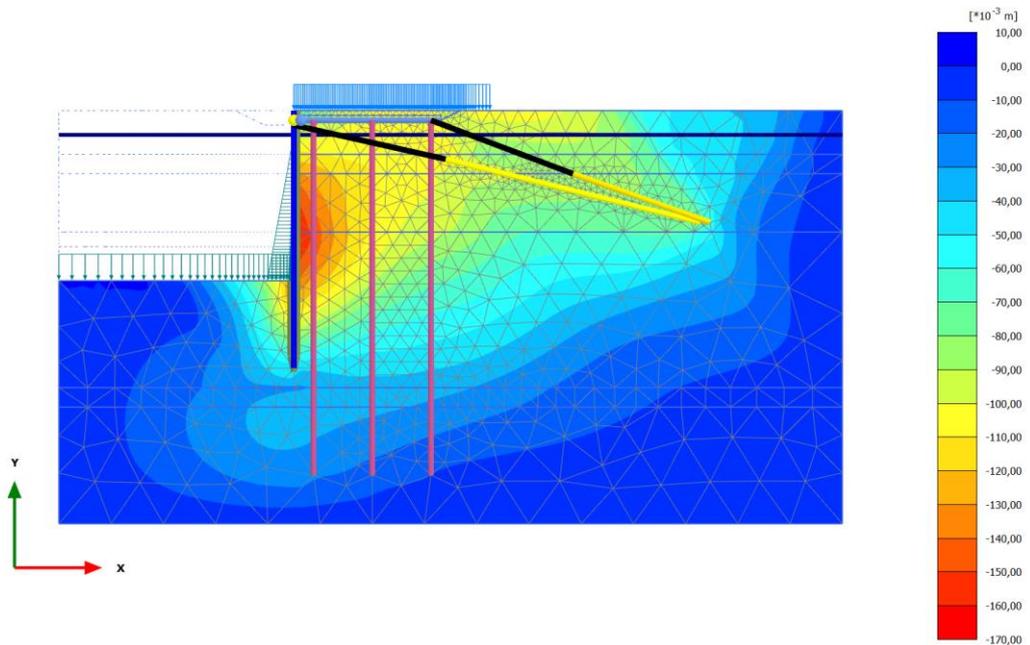
Total displacements u_x
Maximum value = $1,225 \cdot 10^{-3}$ m (Element 1431 at Node 499)
Minimum value = -0,1678 m (Element 569 at Node 3858)

4.16 SLV [Phase_15] (17/157)



Total displacements u_x
Maximum value = 0,000 m (Element 103 at Node 12552)
Minimum value = -0,3782 m (Element 571 at Node 3871)

4.17 q=48kPa+west SLD [Phase_16] (16/159)

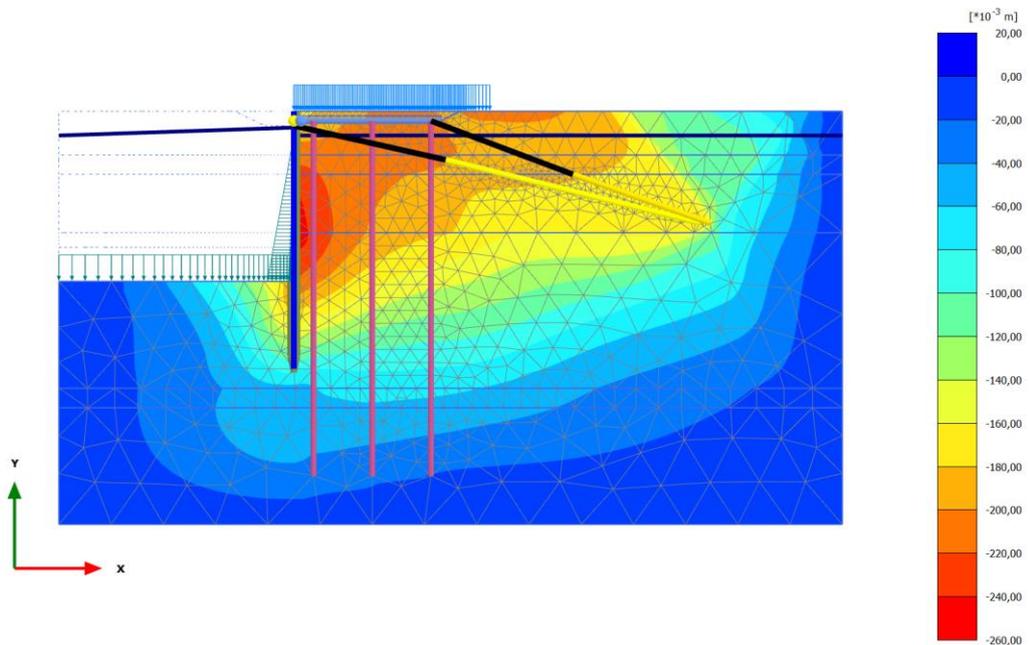


Total displacements u_x

Maximum value = $1,358 \cdot 10^{-3}$ m (Element 1431 at Node 499)

Minimum value = -0,1626 m (Element 569 at Node 3858)

4.18 SLD [Phase_17] (18/172)



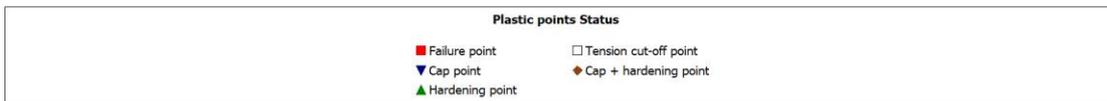
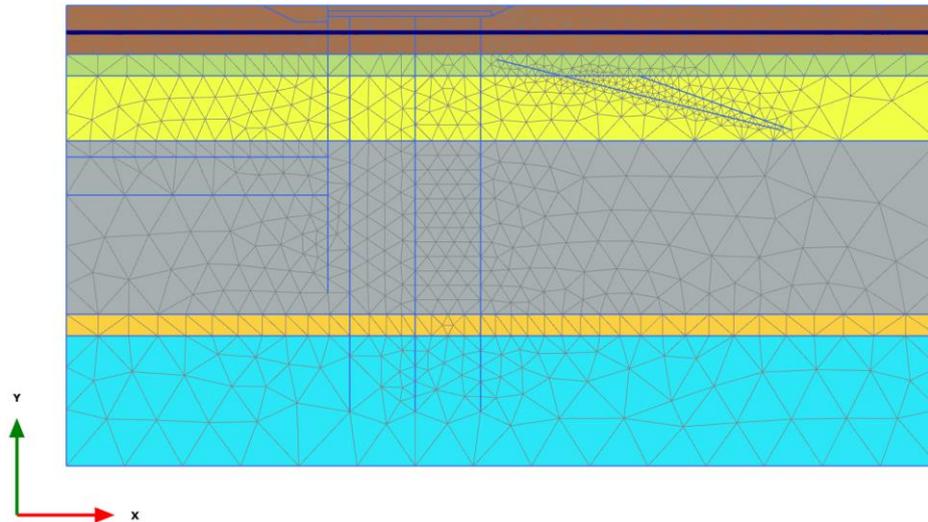
Total displacements u_x

Maximum value = 0,000 m (Element 103 at Node 12552)

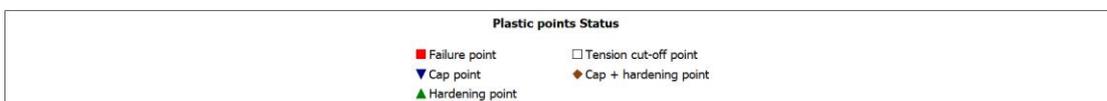
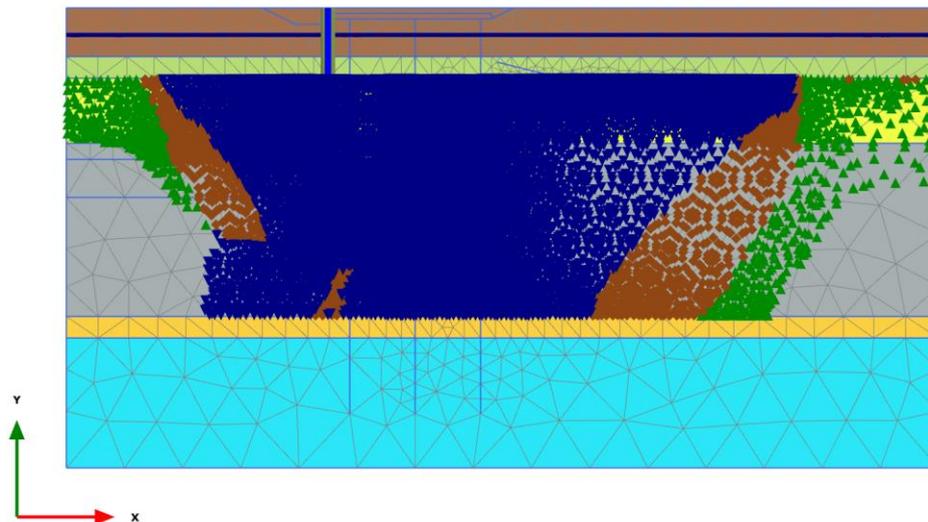
Minimum value = -0,2519 m (Element 569 at Node 3859)

5 Calculation results - Plastic points Status

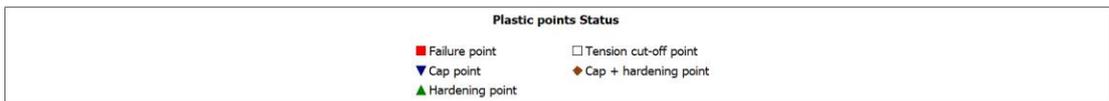
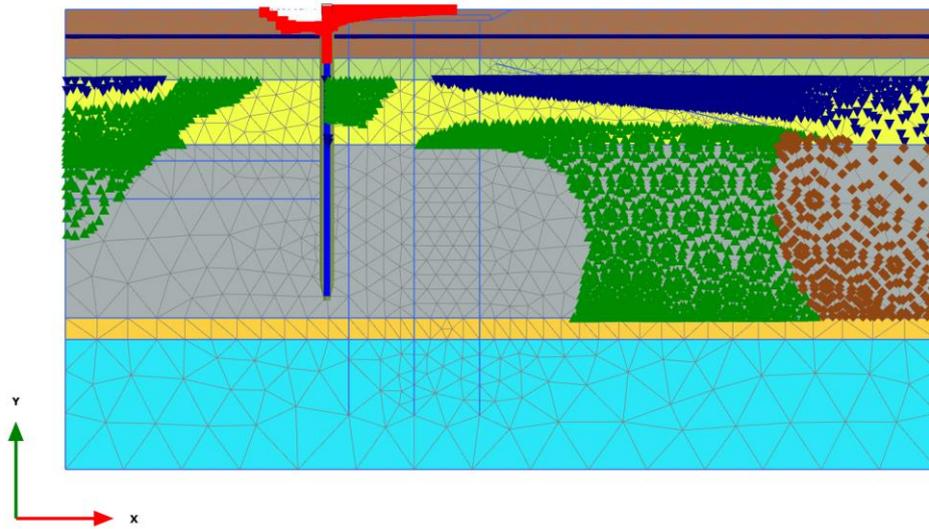
5.1 Initial phase [InitialPhase] (0/0)



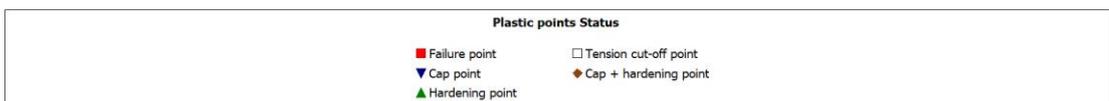
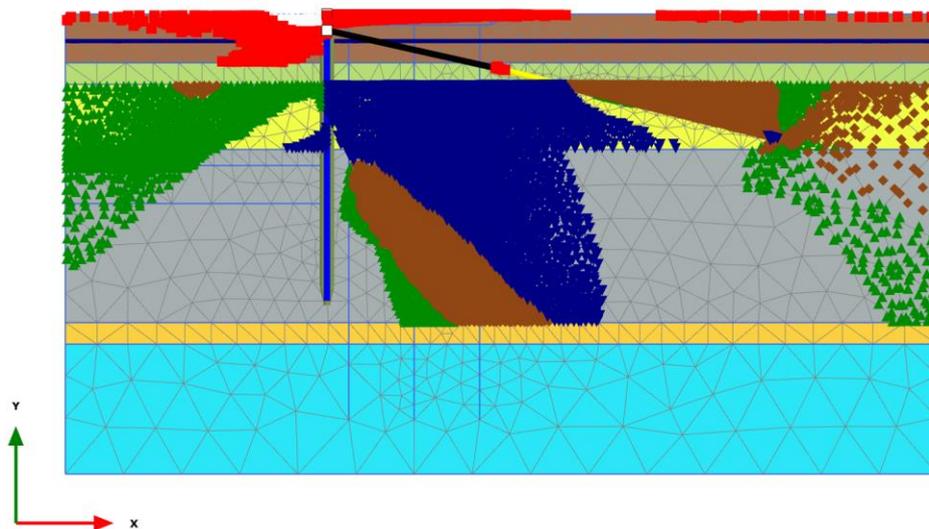
5.2 Paratia existente [Phase_1] (1/3)



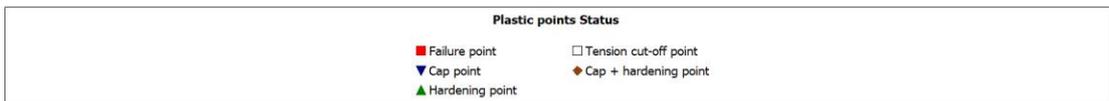
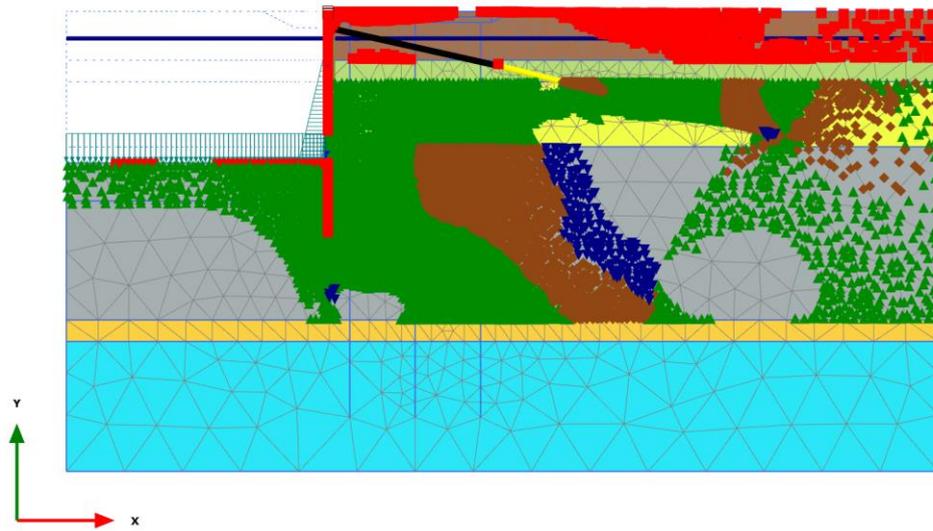
5.3 Escavo +1m [Phase_2] (2/7)



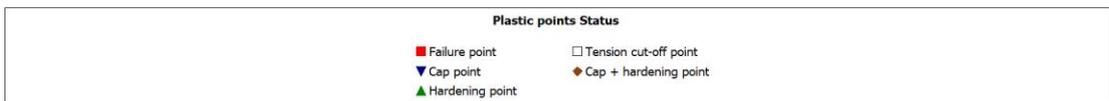
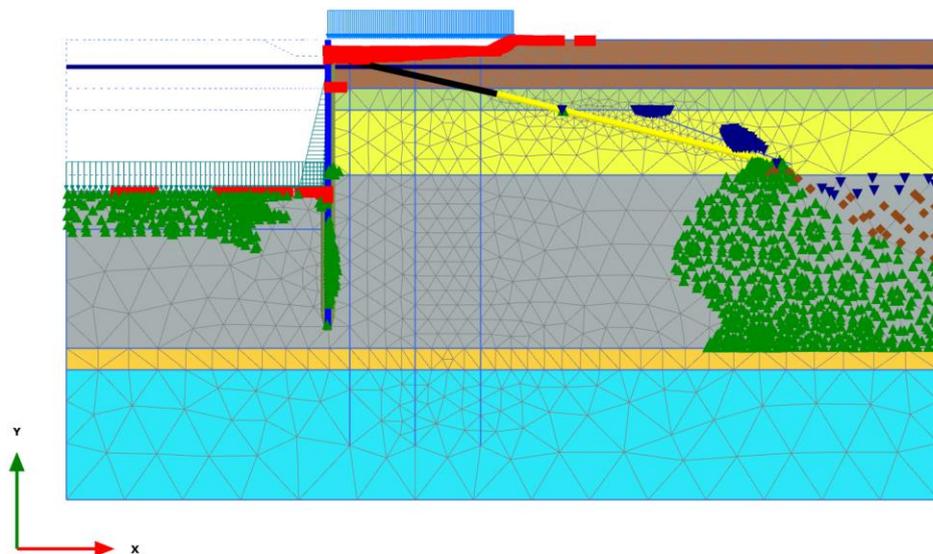
5.4 Tirante p=196kN/m [Phase_3] (3/13)



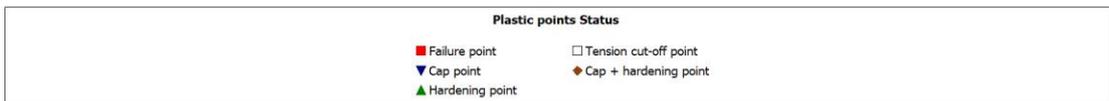
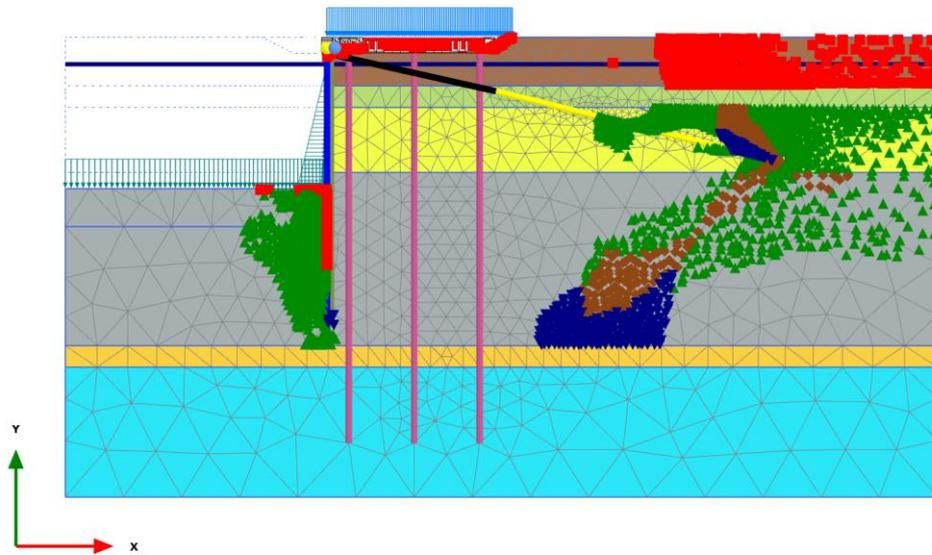
5.5 Escavo -11,50 m [Phase_4] (4/21)



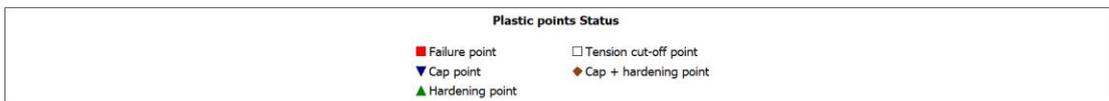
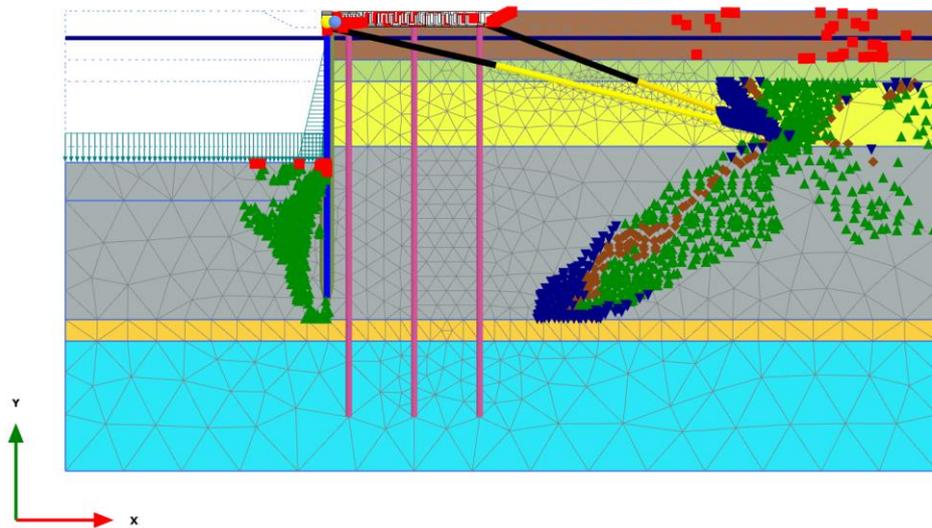
5.6 Ribasso a monte +1,0m [Phase_5] (5/23)



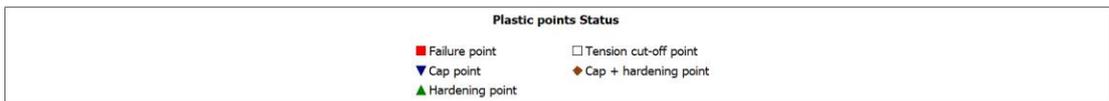
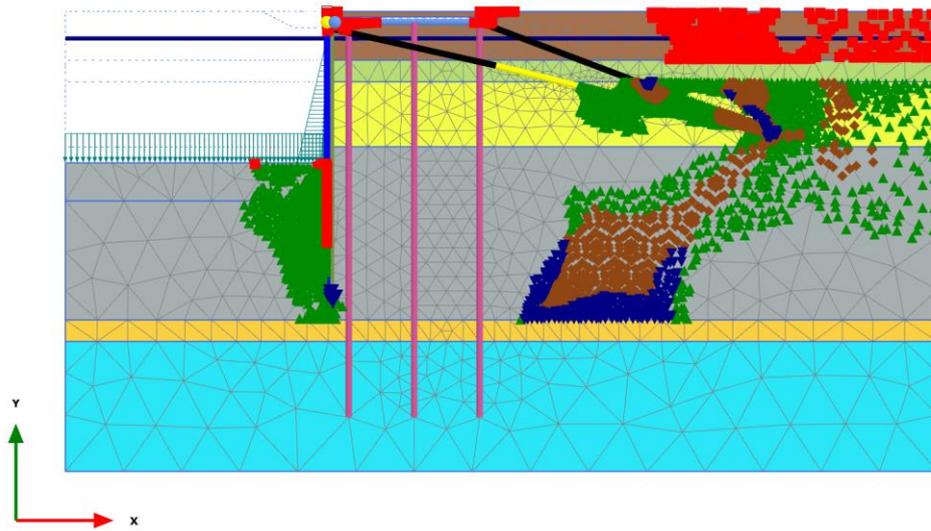
5.7 Pali+solettone [Phase_6] (6/26)



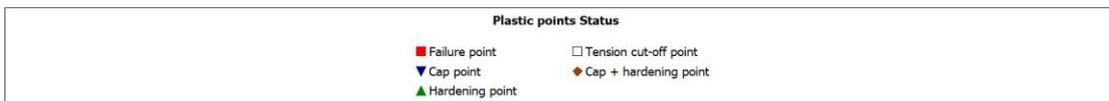
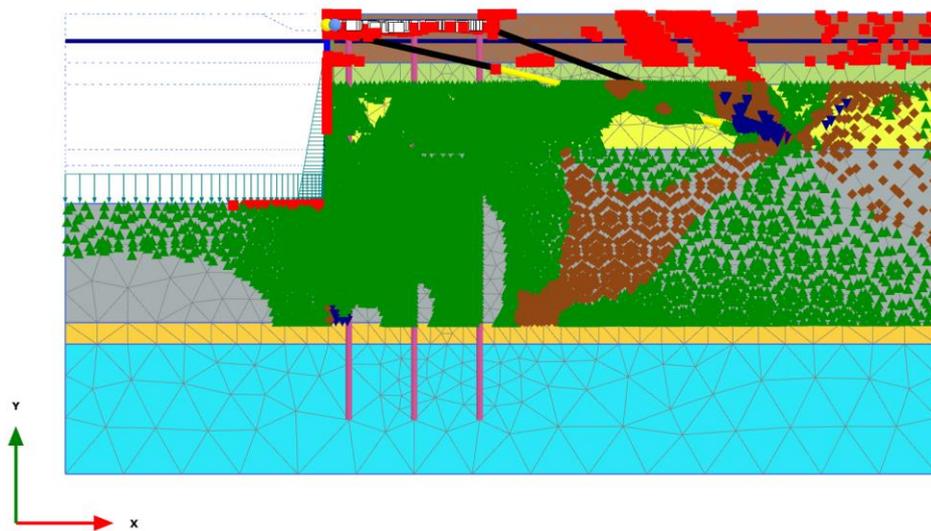
5.8 nuovi tiranti [Phase_7] (7/51)



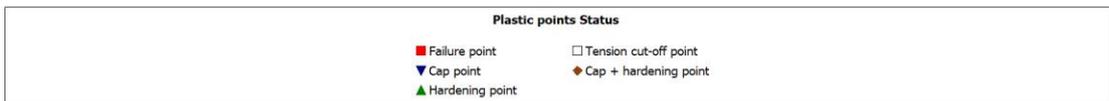
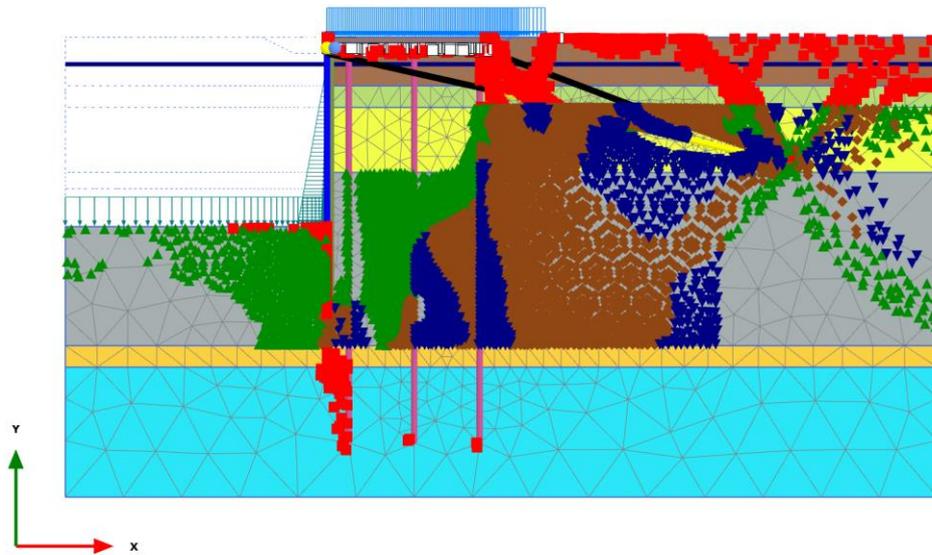
5.9 Rinterro +2,50m [Phase_8] (8/54)



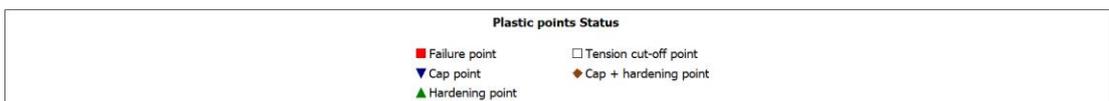
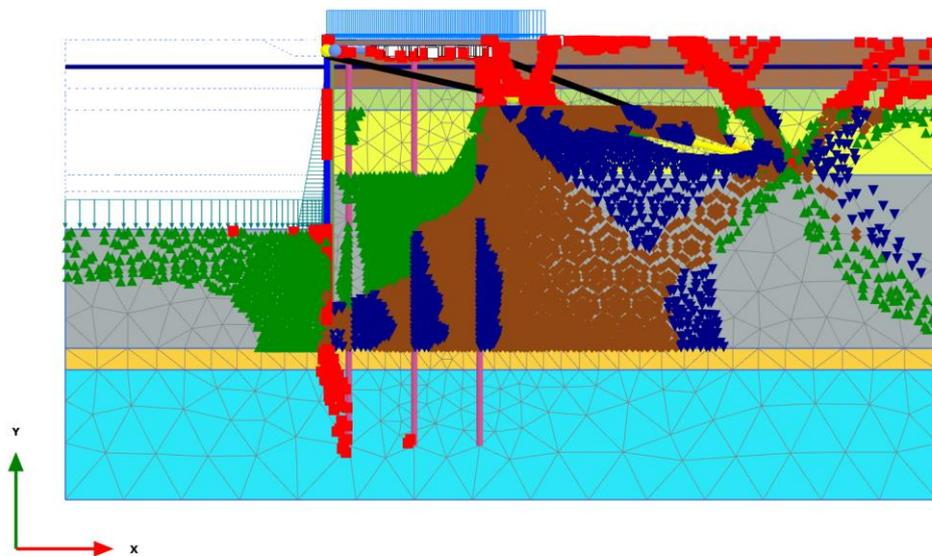
5.10 Escavo -15,0m [Phase_9] (9/62)



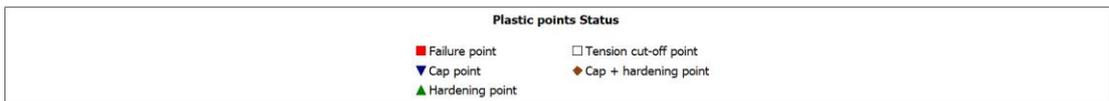
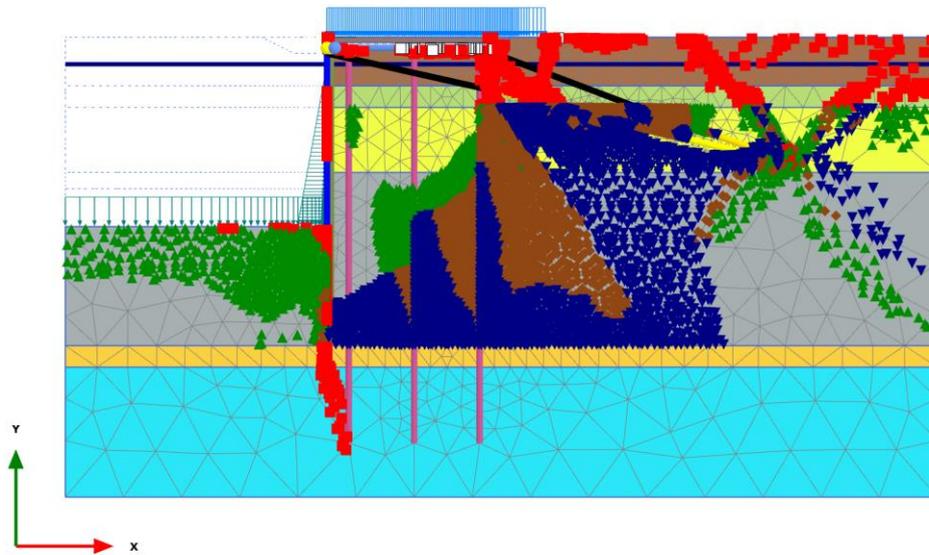
5.11 SLE $q=60\text{kPa}$ $b=40\text{kN/m}$ [Phase_10] (10/72)



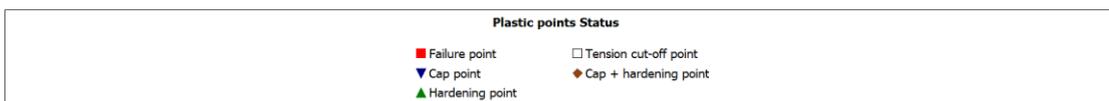
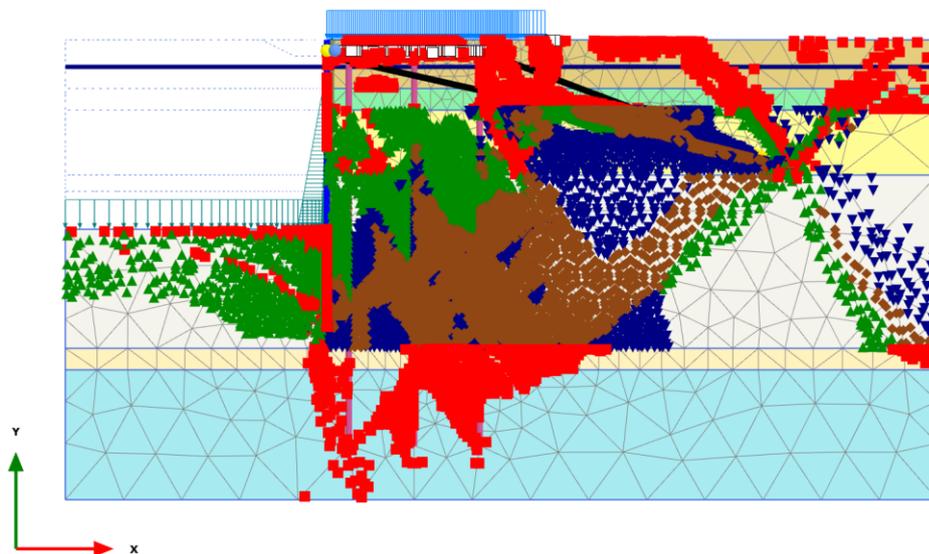
5.12 SLU11 $q=69\text{kPa}$ $b=46\text{kN/m}$ [Phase_11] (11/79)



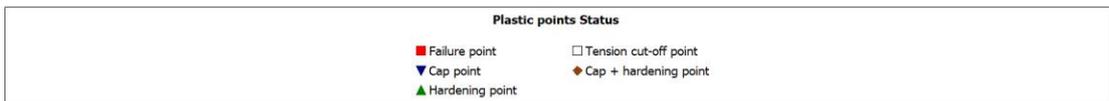
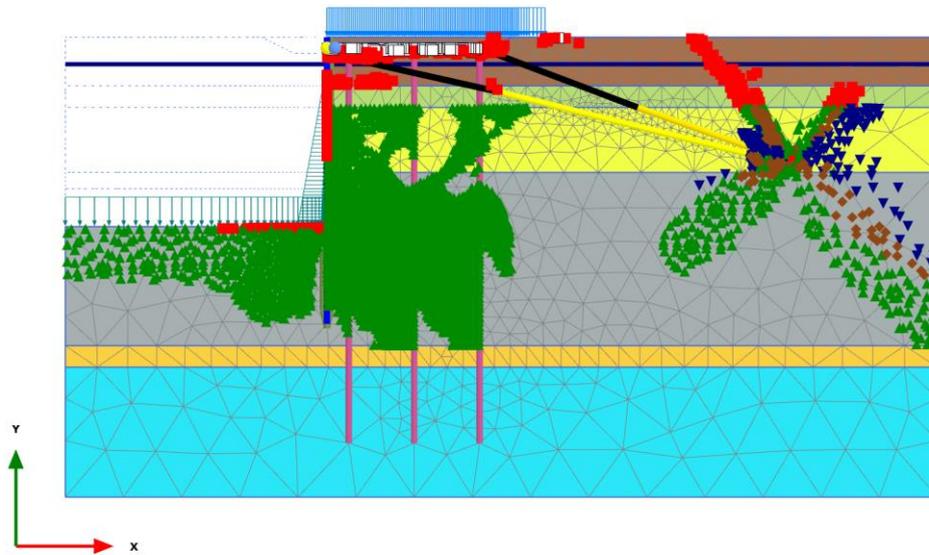
5.13 $q=78\text{kPa}$ $b=52\text{kN/m}$ [Phase_12] (12/87)



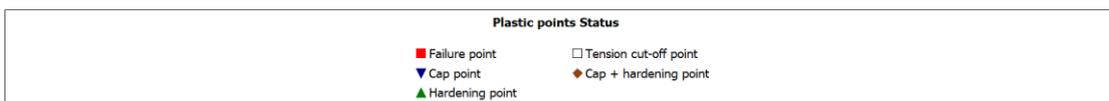
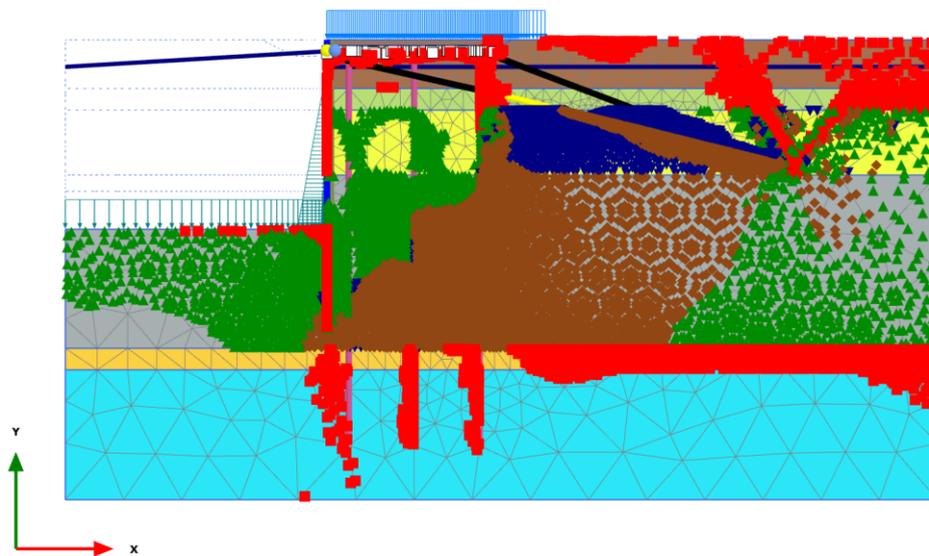
5.14 SLU12 [Phase_13] (13/124)



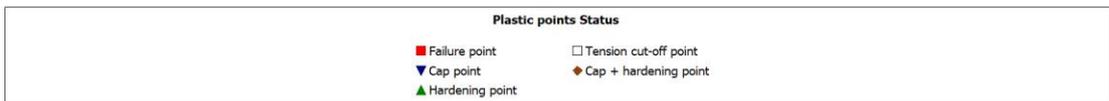
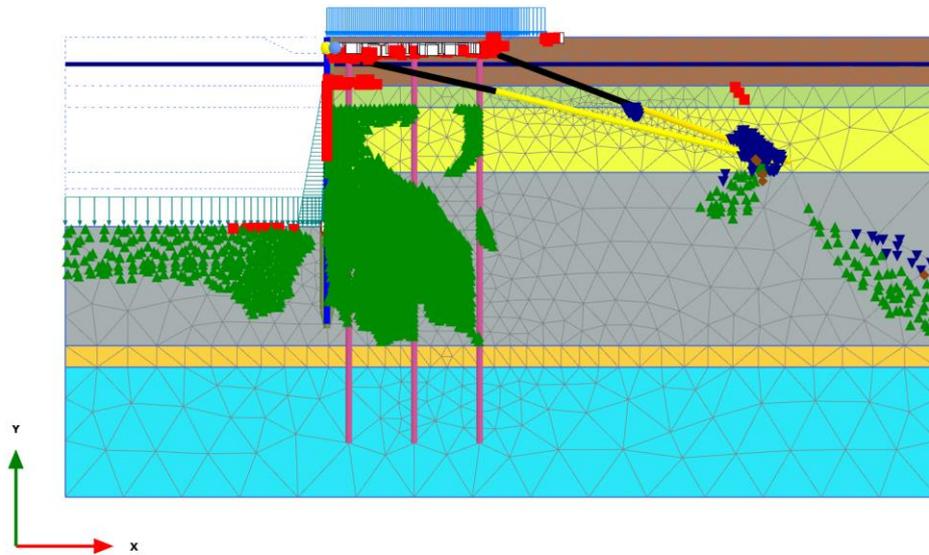
5.15 $q=48\text{kPa}+\text{west SLV}$ [Phase_14] (15/128)



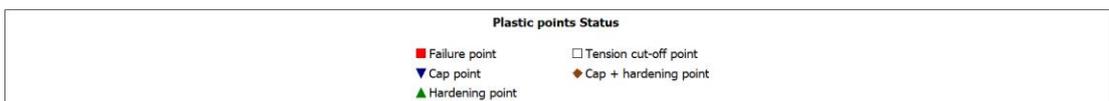
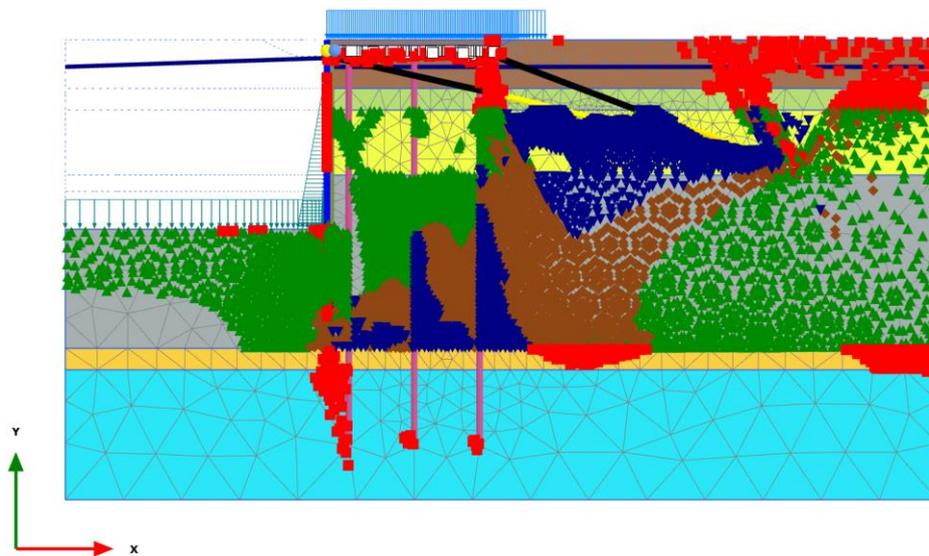
5.16 SLV [Phase_15] (17/157)



5.17 $q=48\text{kPa}+\text{west SLD}$ [Phase_16] (16/159)

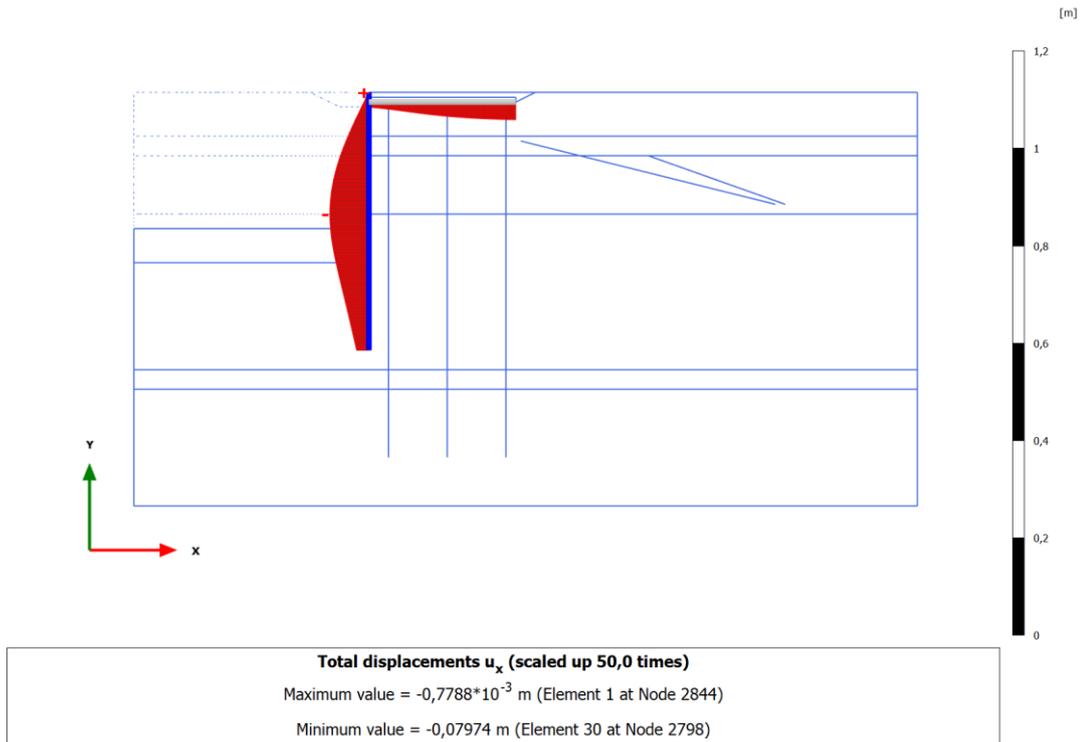


5.18 SLD [Phase_17] (18/172)

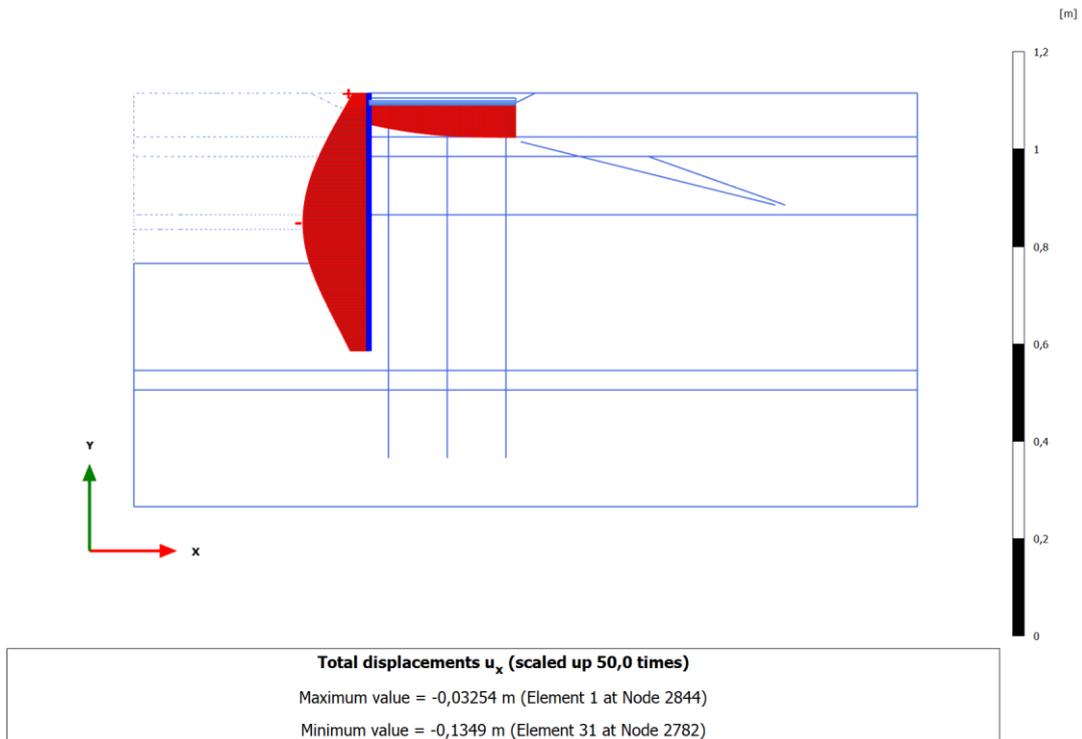


6 Calculation results, Total displacements u_x - Plate

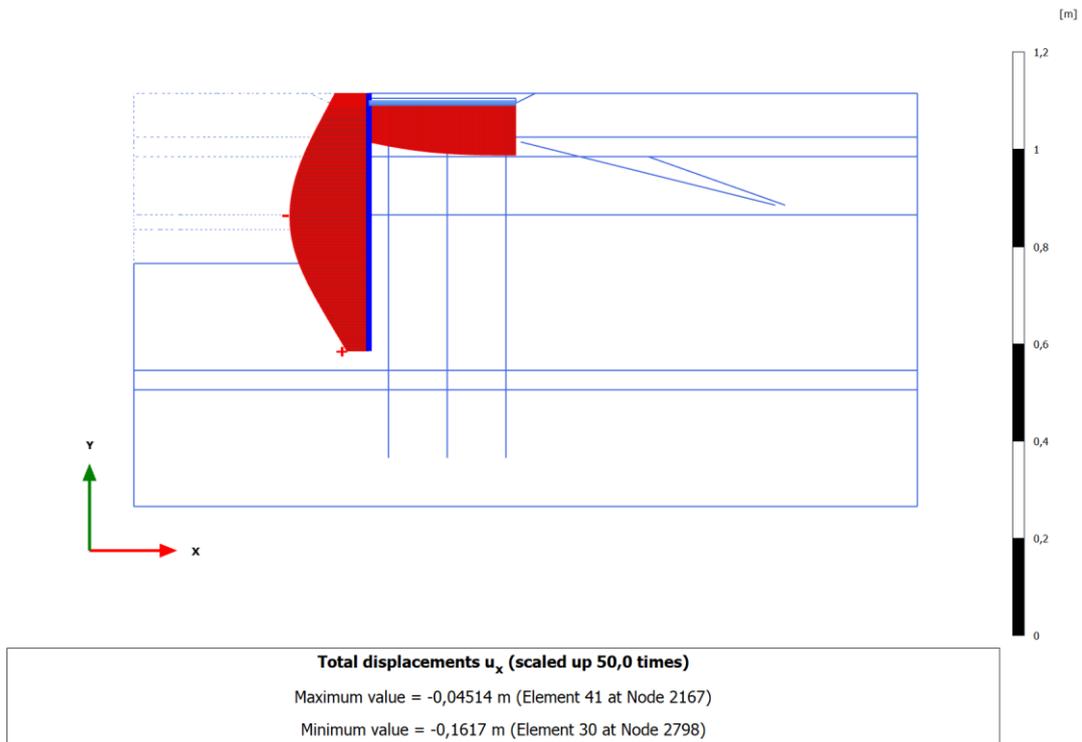
6.1 Escavo -11,50 m [Phase_4] (4/21)



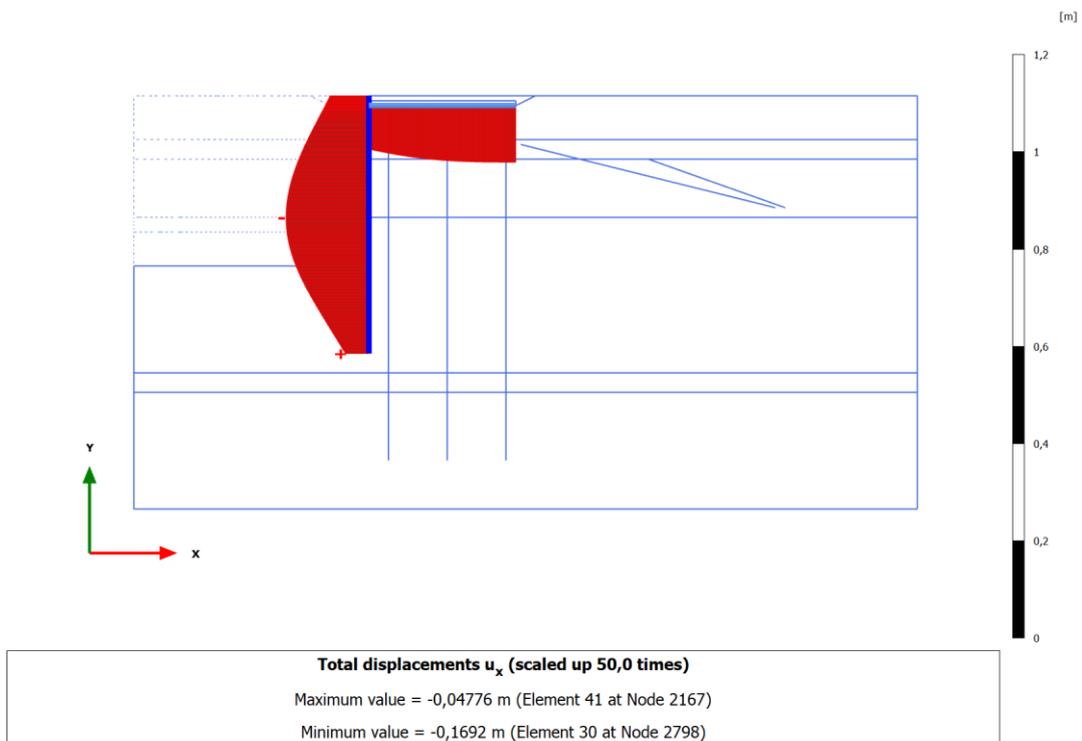
6.2 Escavo -15,0m [Phase_9] (9/62)



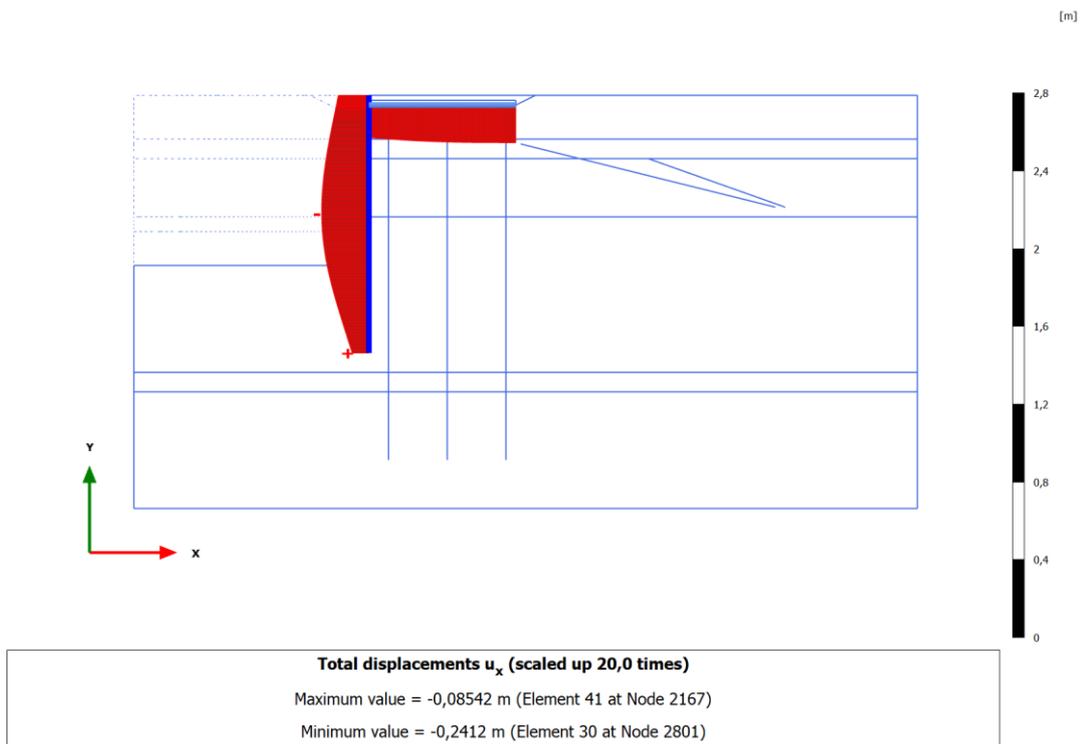
6.3 SLE q=60kPa b=40kN/m [Phase_10] (10/72)



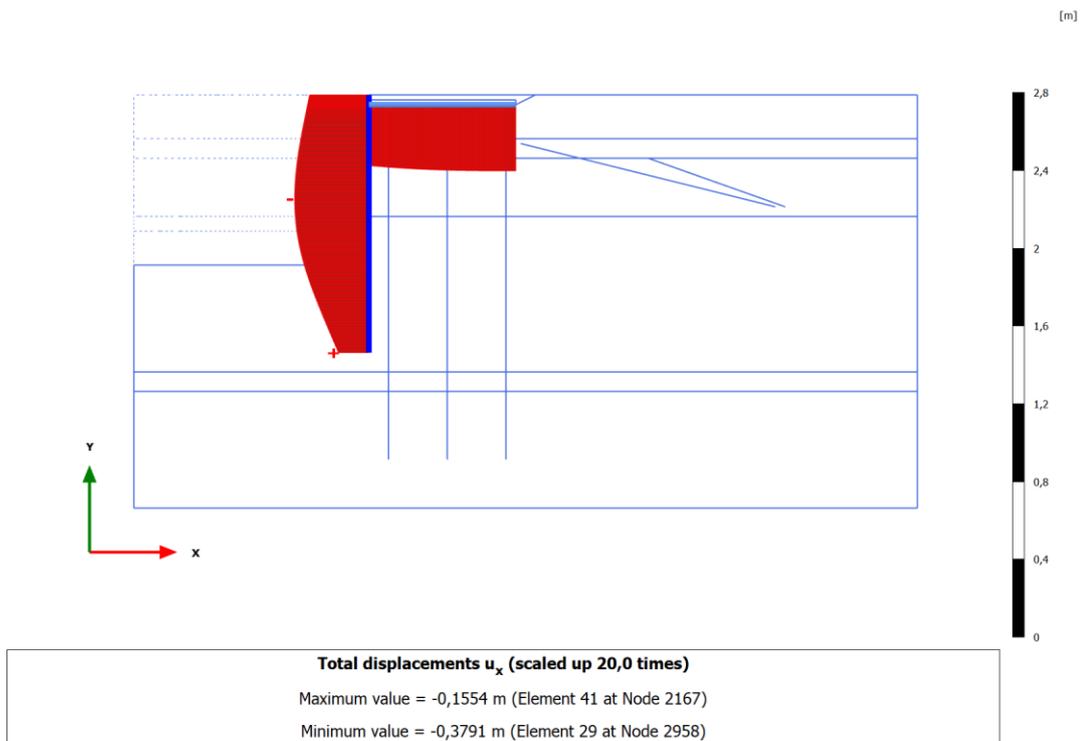
6.4 SLU11 q=69kPa b=46kN/m [Phase_11] (11/79)



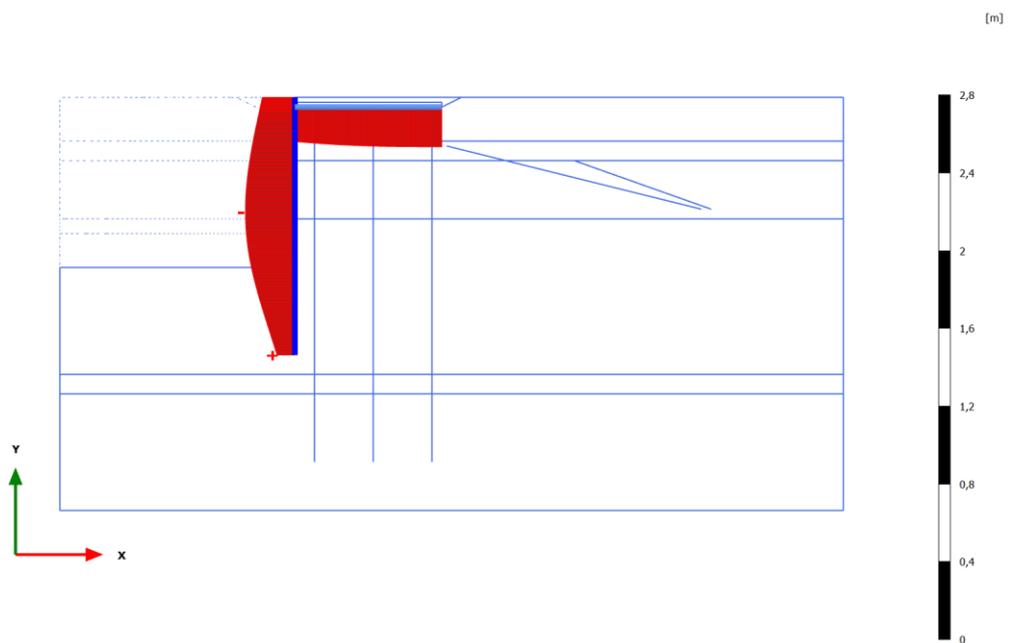
6.5 SLU12 [Phase_13] (13/124)



6.6 SLV [Phase_15] (17/157)



6.7 SLD [Phase_17] (18/172)



Total displacements u_x (scaled up 20,0 times)

Maximum value = -0,09101 m (Element 41 at Node 2167)

Minimum value = -0,2527 m (Element 30 at Node 2800)

7 Table of total displacements – Plate

7.1 Escavo -11,50 m [Phase_4]

Structural element	Node	Local number	X [m]	Y [m]	u _x [10 ⁻³ m]	u _y [10 ⁻³ m]	u [10 ⁻³ m]
Plate_1_1	2844	1	24,000	2,500	-0,779	37,669	37,677
Element 1-1 (Plate)	2845	2	24,000	2,375	-1,964	37,669	37,721
(HZ975D-AZ18)	2846	3	24,000	2,250	-3,149	37,669	37,801
	2847	4	24,000	2,125	-4,333	37,669	37,918
	3217	5	24,000	2,000	-5,518	37,669	38,071
Plate_1_2	3217	1	24,000	2,000	-5,518	37,669	38,071
Element 2-2 (Plate)	3218	2	24,000	1,875	-6,703	37,669	38,261
(HZ975D-AZ18)	3219	3	24,000	1,750	-7,888	37,669	38,486
	3220	4	24,000	1,625	-9,072	37,669	38,747
	3221	5	24,000	1,500	-10,257	37,670	39,041
Plate_1_3	3221	1	24,000	1,500	-10,257	37,670	39,041
Element 7-23 (Plate)	3198	2	24,000	1,375	-11,441	37,670	39,369
(HZ975D-AZ18)	3199	3	24,000	1,250	-12,625	37,670	39,729
	3200	4	24,000	1,125	-13,809	37,670	40,121
	3201	5	24,000	1,000	-14,993	37,670	40,544
Plate_1_4	3201	1	24,000	1,000	-14,993	37,670	40,544
Element 8-24 (Plate)	3148	2	24,000	0,750	-17,388	37,673	41,492
(HZ975D-AZ18)	3149	3	24,000	0,500	-19,779	37,676	42,552
	3150	4	24,000	0,250	-22,161	37,679	43,713
	3151	5	24,000	0,000	-24,532	37,682	44,964
Plate_1_5	3151	1	24,000	0,000	-24,532	37,682	44,964
Element 9-25 (Plate)	3055	2	24,000	-0,500	-29,223	37,688	47,690
(HZ975D-AZ18)	3056	3	24,000	-1,000	-33,822	37,695	50,645
	3057	4	24,000	-1,500	-38,305	37,702	53,747
	3097	5	24,000	-2,000	-42,647	37,710	56,928
Plate_1_6	3097	1	24,000	-2,000	-42,647	37,710	56,928
Element 10-26 (Plate)	3099	2	24,000	-2,500	-46,823	37,718	60,126
(HZ975D-AZ18)	3100	3	24,000	-3,000	-50,815	37,727	63,289
	3101	4	24,000	-3,500	-54,602	37,736	66,373
	3098	5	24,000	-4,000	-58,169	37,745	69,342
Plate_1_7	3098	1	24,000	-4,000	-58,169	37,745	69,342
Element 11-27 (Plate)	3079	2	24,000	-4,375	-60,691	37,752	71,474
(HZ975D-AZ18)	3080	3	24,000	-4,750	-63,075	37,759	73,513
	3081	4	24,000	-5,125	-65,316	37,766	75,449
	3078	5	24,000	-5,500	-67,409	37,774	77,271
Plate_1_7	3078	1	24,000	-5,500	-67,409	37,774	77,271
Element 11-28 (Plate)	2987	2	24,000	-5,875	-69,349	37,781	78,973
(HZ975D-AZ18)	2988	3	24,000	-6,250	-71,132	37,789	80,547
	2989	4	24,000	-6,625	-72,754	37,798	81,986
	2986	5	24,000	-7,000	-74,211	37,806	83,286
Plate_1_7	2986	1	24,000	-7,000	-74,211	37,806	83,286
Element 11-29 (Plate)	2956	2	24,000	-7,375	-75,502	37,815	84,442
(HZ975D-AZ18)	2957	3	24,000	-7,750	-76,624	37,823	85,451
	2958	4	24,000	-8,125	-77,574	37,833	86,308
	2959	5	24,000	-8,500	-78,352	37,842	87,012
Plate_1_7	2959	1	24,000	-8,500	-78,352	37,842	87,012
Element 11-30 (Plate)	2799	2	24,000	-8,875	-78,958	37,852	87,562
(HZ975D-AZ18)	2800	3	24,000	-9,250	-79,390	37,862	87,956
	2801	4	24,000	-9,625	-79,650	37,872	88,195
	2798	5	24,000	-10,000	-79,739	37,882	88,280
Plate_1_8	2798	1	24,000	-10,000	-79,739	37,882	88,280
Element 12-31 (Plate)	2781	2	24,000	-10,375	-79,658	37,893	88,211
(HZ975D-AZ18)	2782	3	24,000	-10,750	-79,410	37,904	87,992
	2783	4	24,000	-11,125	-78,999	37,915	87,626
	2780	5	24,000	-11,500	-78,432	37,926	87,120
Plate_1_9	2780	1	24,000	-11,500	-78,432	37,926	87,120
Element 13-32 (Plate)	2729	2	24,000	-11,792	-77,885	37,934	86,632
(HZ975D-AZ18)	2730	3	24,000	-12,083	-77,252	37,943	86,067
	2731	4	24,000	-12,375	-76,536	37,952	85,429
	2728	5	24,000	-12,667	-75,742	37,961	84,722
Plate_1_9	2728	1	24,000	-12,667	-75,742	37,961	84,722
Element 13-33 (Plate)	2623	2	24,000	-12,958	-74,873	37,970	83,951
(HZ975D-AZ18)	2624	3	24,000	-13,250	-73,937	37,979	83,120
	2625	4	24,000	-13,542	-72,936	37,987	82,236
	2697	5	24,000	-13,833	-71,877	37,996	81,302
Plate_1_9	2697	1	24,000	-13,833	-71,877	37,996	81,302
Element 13-34 (Plate)	2698	2	24,000	-14,125	-70,764	38,004	80,323
(HZ975D-AZ18)	2699	3	24,000	-14,417	-69,603	38,012	79,306
	2700	4	24,000	-14,708	-68,398	38,020	78,255
	2701	5	24,000	-15,000	-67,154	38,028	77,174
Plate_1_10	2701	1	24,000	-15,000	-67,154	38,028	77,174
Element 14-35 (Plate)	2678	2	24,000	-15,321	-65,745	38,037	75,955
(HZ975D-AZ18)	2679	3	24,000	-15,643	-64,300	38,045	74,712
	2680	4	24,000	-15,964	-62,827	38,052	73,452

	2681	5	24,000	-16,286	-61,330	38,059	72,179
Plate\ 1_10	2681	1	24,000	-16,286	-61,330	38,059	72,179
Element 14-36 (Plate)	2565	2	24,000	-16,607	-59,814	38,066	70,899
(HZ975D-AZ18)	2566	3	24,000	-16,929	-58,284	38,073	69,617
	2567	4	24,000	-17,250	-56,744	38,079	68,336
	2584	5	24,000	-17,571	-55,197	38,085	67,061
Plate\ 1_10	2584	1	24,000	-17,571	-55,197	38,085	67,061
Element 14-37 (Plate)	2585	2	24,000	-17,893	-53,648	38,090	65,795
(HZ975D-AZ18)	2586	3	24,000	-18,214	-52,099	38,094	64,540
	2587	4	24,000	-18,536	-50,551	38,099	63,300
	2583	5	24,000	-18,857	-49,007	38,103	62,076
Plate\ 1_10	2583	1	24,000	-18,857	-49,007	38,103	62,076
Element 14-38 (Plate)	2357	2	24,000	-19,179	-47,467	38,106	60,870
(HZ975D-AZ18)	2358	3	24,000	-19,500	-45,934	38,109	59,684
	2359	4	24,000	-19,821	-44,406	38,112	58,519
	2356	5	24,000	-20,143	-42,886	38,114	57,375
Plate\ 1_10	2356	1	24,000	-20,143	-42,886	38,114	57,375
Element 14-39 (Plate)	2220	2	24,000	-20,464	-41,371	38,116	56,253
(HZ975D-AZ18)	2221	3	24,000	-20,786	-39,863	38,118	55,155
	2222	4	24,000	-21,107	-38,361	38,119	54,080
	2223	5	24,000	-21,429	-36,865	38,120	53,030
Plate\ 1_10	2223	1	24,000	-21,429	-36,865	38,120	53,030
Element 14-40 (Plate)	1934	2	24,000	-21,750	-35,373	38,121	52,005
(HZ975D-AZ18)	1935	3	24,000	-22,071	-33,885	38,122	51,005
	1936	4	24,000	-22,393	-32,400	38,123	50,031
	2163	5	24,000	-22,714	-30,918	38,123	49,084
Plate\ 1_10	2163	1	24,000	-22,714	-30,918	38,123	49,084
Element 14-41 (Plate)	2164	2	24,000	-23,036	-29,437	38,123	48,165
(HZ975D-AZ18)	2165	3	24,000	-23,357	-27,957	38,123	47,276
	2166	4	24,000	-23,679	-26,478	38,123	46,416
	2167	5	24,000	-24,000	-24,998	38,123	45,588

7.2 Escavo -15,0m [Phase_9]

Structural element	Node	Local number	X [m]	Y [m]	u_x [10^{-3} m]	u_y [10^{-3} m]	$ u $ [10^{-3} m]
Plate\ 1_1	2844	1	24,000	2,500	-32,538	22,855	39,762
Element 1-1 (Plate)	2845	2	24,000	2,375	-33,951	22,855	40,927
(HZ975D-AZ18)	2846	3	24,000	2,250	-35,363	22,855	42,106
	2847	4	24,000	2,125	-36,776	22,855	43,300
	3217	5	24,000	2,000	-38,189	22,855	44,506
Plate\ 1_2	3217	1	24,000	2,000	-38,189	22,855	44,506
Element 2-2 (Plate)	3218	2	24,000	1,875	-39,602	22,855	45,724
(HZ975D-AZ18)	3219	3	24,000	1,750	-41,014	22,855	46,953
	3220	4	24,000	1,625	-42,427	22,855	48,191
	3221	5	24,000	1,500	-43,840	22,855	49,440
Plate\ 2_1	3500	1	24,000	1,500	-43,840	24,635	50,287
Element 3-3 (Plate)	3501	2	24,167	1,500	-44,846	23,272	50,525
(solettone s=1m)	3502	3	24,333	1,500	-45,760	21,774	50,676
	3503	4	24,500	1,500	-46,505	20,414	50,789
	3986	5	24,667	1,500	-47,215	19,145	50,949
Plate\ 2_1	3986	1	24,667	1,500	-47,215	19,145	50,949
Element 3-4 (Plate)	3990	2	24,833	1,500	-47,862	17,867	51,088
(solettone s=1m)	3991	3	25,000	1,500	-48,530	16,562	51,279
	3992	4	25,167	1,500	-49,209	15,248	51,517
	3996	5	25,333	1,500	-49,889	13,948	51,802
Plate\ 2_1	3996	1	25,333	1,500	-49,889	13,948	51,802
Element 3-5 (Plate)	3997	2	25,500	1,500	-50,565	12,679	52,130
(solettone s=1m)	3998	3	25,667	1,500	-51,233	11,456	52,498
	3999	4	25,833	1,500	-51,891	10,281	52,899
	4102	5	26,000	1,500	-52,533	9,151	53,324
Plate\ 2_2	4102	1	26,000	1,500	-52,533	9,151	53,324
Element 4-6 (Plate)	4106	2	26,188	1,500	-53,237	7,926	53,824
(solettone s=1m)	4107	3	26,375	1,500	-53,923	6,747	54,343
	4108	4	26,563	1,500	-54,592	5,615	54,880
	4426	5	26,750	1,500	-55,252	4,533	55,437
Plate\ 2_2	4426	1	26,750	1,500	-55,252	4,533	55,437
Element 4-7 (Plate)	4427	2	26,938	1,500	-55,895	3,514	56,006
(solettone s=1m)	4428	3	27,125	1,500	-56,525	2,523	56,581
	4429	4	27,313	1,500	-57,141	1,580	57,162
	4436	5	27,500	1,500	-57,752	0,695	57,756
Plate\ 2_2	4436	1	27,500	1,500	-57,752	0,695	57,756
Element 4-8 (Plate)	4437	2	27,688	1,500	-58,354	-0,156	58,354
(solettone s=1m)	4438	3	27,875	1,500	-58,940	-0,957	58,948
	4439	4	28,063	1,500	-59,508	-1,714	59,533
	4612	5	28,250	1,500	-60,052	-2,448	60,102
Plate\ 2_2	4612	1	28,250	1,500	-60,052	-2,448	60,102
Element 4-9 (Plate)	4606	2	28,438	1,500	-60,596	-3,113	60,676
(solettone s=1m)	4607	3	28,625	1,500	-61,121	-3,751	61,236

	4608		4	28,813	1,500	-61,625	-4,352	61,779
	4638		5	29,000	1,500	-62,109	-4,924	62,304
Plate\ 2\ 2	4638		1	29,000	1,500	-62,109	-4,924	62,304
Element 4-10 (Plate)	4642		2	29,188	1,500	-62,573	-5,470	62,812
(solettone s=1m)	4643		3	29,375	1,500	-63,023	-5,987	63,307
	4644		4	29,563	1,500	-63,462	-6,464	63,791
	5122		5	29,750	1,500	-63,889	-6,886	64,259
Plate\ 2\ 2	5122		1	29,750	1,500	-63,889	-6,886	64,259
Element 4-11 (Plate)	5116		2	29,938	1,500	-64,320	-7,311	64,734
(solettone s=1m)	5117		3	30,125	1,500	-64,717	-7,672	65,170
	5118		4	30,313	1,500	-65,087	-7,990	65,576
	5132		5	30,500	1,500	-65,441	-8,284	65,964
Plate\ 2\ 2	5132		1	30,500	1,500	-65,441	-8,284	65,964
Element 4-12 (Plate)	5133		2	30,688	1,500	-65,783	-8,563	66,338
(solettone s=1m)	5134		3	30,875	1,500	-66,115	-8,820	66,701
	5135		4	31,063	1,500	-66,440	-9,057	67,055
	5148		5	31,250	1,500	-66,750	-9,281	67,392
Plate\ 2\ 2	5148		1	31,250	1,500	-66,750	-9,281	67,392
Element 4-13 (Plate)	5142		2	31,438	1,500	-67,051	-9,474	67,717
(solettone s=1m)	5143		3	31,625	1,500	-67,341	-9,653	68,029
	5144		4	31,813	1,500	-67,624	-9,807	68,331
	5164		5	32,000	1,500	-67,879	-9,957	68,605
Plate\ 2\ 3	5164		1	32,000	1,500	-67,879	-9,957	68,605
Element 5-14 (Plate)	5168		2	32,188	1,500	-68,123	-10,084	68,865
(solettone s=1m)	5169		3	32,375	1,500	-68,367	-10,209	69,125
	5170		4	32,563	1,500	-68,592	-10,307	69,362
	5788		5	32,750	1,500	-68,810	-10,382	69,589
Plate\ 2\ 3	5788		1	32,750	1,500	-68,810	-10,382	69,589
Element 5-15 (Plate)	5789		2	32,938	1,500	-69,021	-10,464	69,809
(solettone s=1m)	5790		3	33,125	1,500	-69,210	-10,521	70,005
	5791		4	33,313	1,500	-69,391	-10,561	70,190
	6112		5	33,500	1,500	-69,561	-10,596	70,363
Plate\ 2\ 3	6112		1	33,500	1,500	-69,561	-10,596	70,363
Element 5-16 (Plate)	6113		2	33,688	1,500	-69,724	-10,625	70,528
(solettone s=1m)	6114		3	33,875	1,500	-69,875	-10,646	70,681
	6115		4	34,063	1,500	-70,022	-10,655	70,828
	6234		5	34,250	1,500	-70,152	-10,662	70,957
Plate\ 2\ 3	6234		1	34,250	1,500	-70,152	-10,662	70,957
Element 5-17 (Plate)	6238		2	34,438	1,500	-70,272	-10,661	71,076
(solettone s=1m)	6239		3	34,625	1,500	-70,390	-10,658	71,193
	6240		4	34,813	1,500	-70,494	-10,647	71,293
	6862		5	35,000	1,500	-70,592	-10,626	71,387
Plate\ 2\ 3	6862		1	35,000	1,500	-70,592	-10,626	71,387
Element 5-18 (Plate)	6863		2	35,188	1,500	-70,671	-10,618	71,465
(solettone s=1m)	6864		3	35,375	1,500	-70,751	-10,601	71,540
	6865		4	35,563	1,500	-70,818	-10,586	71,605
	7130		5	35,750	1,500	-70,881	-10,573	71,665
Plate\ 2\ 3	7130		1	35,750	1,500	-70,881	-10,573	71,665
Element 5-19 (Plate)	7134		2	35,938	1,500	-70,937	-10,563	71,719
(solettone s=1m)	7135		3	36,125	1,500	-70,980	-10,554	71,761
	7136		4	36,313	1,500	-71,019	-10,547	71,798
	7730		5	36,500	1,500	-71,058	-10,546	71,836
Plate\ 2\ 3	7730		1	36,500	1,500	-71,058	-10,546	71,836
Element 5-20 (Plate)	7734		2	36,688	1,500	-71,091	-10,560	71,871
(solettone s=1m)	7735		3	36,875	1,500	-71,115	-10,575	71,897
	7736		4	37,063	1,500	-71,135	-10,599	71,920
	8450		5	37,250	1,500	-71,153	-10,645	71,945
Plate\ 2\ 3	8450		1	37,250	1,500	-71,153	-10,645	71,945
Element 5-21 (Plate)	8451		2	37,438	1,500	-71,159	-10,686	71,957
(solettone s=1m)	8452		3	37,625	1,500	-71,167	-10,746	71,973
	8453		4	37,813	1,500	-71,173	-10,823	71,991
	8514		5	38,000	1,500	-71,176	-10,918	72,008
Plate\ 2\ 4	8514		1	38,000	1,500	-71,176	-10,918	72,008
Element 6-22 (Plate)	8518		2	38,250	1,500	-71,177	-11,073	72,033
(solettone s=1m)	8519		3	38,500	1,500	-71,183	-11,260	72,068
	8520		4	38,750	1,500	-71,202	-11,488	72,123
	9072		5	39,000	1,500	-71,261	-11,813	72,234
Plate\ 1\ 3	3221		1	24,000	1,500	-43,840	22,855	49,440
Element 7-23 (Plate)	3198		2	24,000	1,375	-45,251	22,855	50,695
(HZ975D-AZ18)	3199		3	24,000	1,250	-46,662	22,855	51,959
	3200		4	24,000	1,125	-48,074	22,855	53,230
	3201		5	24,000	1,000	-49,485	22,855	54,508
Plate\ 1\ 4	3201		1	24,000	1,000	-49,485	22,855	54,508
Element 8-24 (Plate)	3148		2	24,000	0,750	-52,337	22,857	57,111
(HZ975D-AZ18)	3149		3	24,000	0,500	-55,187	22,860	59,734
	3150		4	24,000	0,250	-58,029	22,862	62,370
	3151		5	24,000	0,000	-60,861	22,864	65,014
Plate\ 1\ 5	3151		1	24,000	0,000	-60,861	22,864	65,014
Element 9-25 (Plate)	3055		2	24,000	-0,500	-66,479	22,869	70,302

(HZ975D-AZ18)	3056	3	24,000	-1,000	-72,016	22,873	75,562
	3057	4	24,000	-1,500	-77,449	22,878	80,757
	3097	5	24,000	-2,000	-82,752	22,883	85,858
Plate\ 1\ 6	3097	1	24,000	-2,000	-82,752	22,883	85,858
Element 10-26 (Plate)	3099	2	24,000	-2,500	-87,903	22,888	90,834
(HZ975D-AZ18)	3100	3	24,000	-3,000	-92,879	22,893	95,659
	3101	4	24,000	-3,500	-97,658	22,899	100,307
	3098	5	24,000	-4,000	-102,221	22,904	104,755
Plate\ 1\ 7	3098	1	24,000	-4,000	-102,221	22,904	104,755
Element 11-27 (Plate)	3079	2	24,000	-4,375	-105,490	22,909	107,949
(HZ975D-AZ18)	3080	3	24,000	-4,750	-108,620	22,913	111,011
	3081	4	24,000	-5,125	-111,605	22,918	113,934
	3078	5	24,000	-5,500	-114,437	22,922	116,710
Plate\ 1\ 7	3078	1	24,000	-5,500	-114,437	22,922	116,710
Element 11-28 (Plate)	2987	2	24,000	-5,875	-117,109	22,927	119,332
(HZ975D-AZ18)	2988	3	24,000	-6,250	-119,616	22,932	121,794
	2989	4	24,000	-6,625	-121,951	22,938	124,089
	2986	5	24,000	-7,000	-124,109	22,943	126,212
Plate\ 1\ 7	2986	1	24,000	-7,000	-124,109	22,943	126,212
Element 11-29 (Plate)	2956	2	24,000	-7,375	-126,086	22,948	128,157
(HZ975D-AZ18)	2957	3	24,000	-7,750	-127,875	22,954	129,918
	2958	4	24,000	-8,125	-129,471	22,959	131,491
	2959	5	24,000	-8,500	-130,872	22,965	132,871
Plate\ 1\ 7	2959	1	24,000	-8,500	-130,872	22,965	132,871
Element 11-30 (Plate)	2799	2	24,000	-8,875	-132,071	22,971	134,053
(HZ975D-AZ18)	2800	3	24,000	-9,250	-133,065	22,977	135,034
	2801	4	24,000	-9,625	-133,850	22,983	135,809
	2798	5	24,000	-10,000	-134,423	22,989	136,375
Plate\ 1\ 8	2798	1	24,000	-10,000	-134,423	22,989	136,375
Element 12-31 (Plate)	2781	2	24,000	-10,375	-134,782	22,995	136,729
(HZ975D-AZ18)	2782	3	24,000	-10,750	-134,922	23,002	136,869
	2783	4	24,000	-11,125	-134,842	23,008	136,791
	2780	5	24,000	-11,500	-134,541	23,014	136,495
Plate\ 1\ 9	2780	1	24,000	-11,500	-134,541	23,014	136,495
Element 13-32 (Plate)	2729	2	24,000	-11,792	-134,154	23,019	136,115
(HZ975D-AZ18)	2730	3	24,000	-12,083	-133,633	23,024	135,602
	2731	4	24,000	-12,375	-132,980	23,029	134,959
	2728	5	24,000	-12,667	-132,194	23,035	134,185
Plate\ 1\ 9	2728	1	24,000	-12,667	-132,194	23,035	134,185
Element 13-33 (Plate)	2623	2	24,000	-12,958	-131,276	23,040	133,283
(HZ975D-AZ18)	2624	3	24,000	-13,250	-130,229	23,046	132,253
	2625	4	24,000	-13,542	-129,055	23,051	131,097
	2697	5	24,000	-13,833	-127,755	23,057	129,819
Plate\ 1\ 9	2697	1	24,000	-13,833	-127,755	23,057	129,819
Element 13-34 (Plate)	2698	2	24,000	-14,125	-126,332	23,063	128,420
(HZ975D-AZ18)	2699	3	24,000	-14,417	-124,788	23,069	126,903
	2700	4	24,000	-14,708	-123,128	23,075	125,272
	2701	5	24,000	-15,000	-121,355	23,082	123,531
Plate\ 1\ 10	2701	1	24,000	-15,000	-121,355	23,082	123,531
Element 14-35 (Plate)	2678	2	24,000	-15,321	-119,275	23,089	121,489
(HZ975D-AZ18)	2679	3	24,000	-15,643	-117,069	23,096	119,326
	2680	4	24,000	-15,964	-114,744	23,103	117,047
	2681	5	24,000	-16,286	-112,308	23,111	114,661
Plate\ 1\ 10	2681	1	24,000	-16,286	-112,308	23,111	114,661
Element 14-36 (Plate)	2565	2	24,000	-16,607	-109,767	23,118	112,175
(HZ975D-AZ18)	2566	3	24,000	-16,929	-107,130	23,125	109,598
	2567	4	24,000	-17,250	-104,404	23,133	106,936
	2584	5	24,000	-17,571	-101,598	23,140	104,199
Plate\ 1\ 10	2584	1	24,000	-17,571	-101,598	23,140	104,199
Element 14-37 (Plate)	2585	2	24,000	-17,893	-98,718	23,146	101,395
(HZ975D-AZ18)	2586	3	24,000	-18,214	-95,772	23,153	98,531
	2587	4	24,000	-18,536	-92,769	23,159	95,616
	2583	5	24,000	-18,857	-89,715	23,166	92,657
Plate\ 1\ 10	2583	1	24,000	-18,857	-89,715	23,166	92,657
Element 14-38 (Plate)	2357	2	24,000	-19,179	-86,616	23,171	89,662
(HZ975D-AZ18)	2358	3	24,000	-19,500	-83,480	23,177	86,637
	2359	4	24,000	-19,821	-80,312	23,182	83,590
	2356	5	24,000	-20,143	-77,117	23,186	80,528
Plate\ 1\ 10	2356	1	24,000	-20,143	-77,117	23,186	80,528
Element 14-39 (Plate)	2220	2	24,000	-20,464	-73,902	23,191	77,455
(HZ975D-AZ18)	2221	3	24,000	-20,786	-70,670	23,194	74,379
	2222	4	24,000	-21,107	-67,425	23,198	71,304
	2223	5	24,000	-21,429	-64,172	23,201	68,237
Plate\ 1\ 10	2223	1	24,000	-21,429	-64,172	23,201	68,237
Element 14-40 (Plate)	1934	2	24,000	-21,750	-60,911	23,203	65,181
(HZ975D-AZ18)	1935	3	24,000	-22,071	-57,648	23,205	62,143
	1936	4	24,000	-22,393	-54,382	23,206	59,126
	2163	5	24,000	-22,714	-51,115	23,208	56,137
Plate\ 1\ 10	2163	1	24,000	-22,714	-51,115	23,208	56,137

Element 14-41 (Plate)	2164	2	24,000	-23,036	-47,848	23,208	53,180
(HZ975D-AZ18)	2165	3	24,000	-23,357	-44,582	23,209	50,262
	2166	4	24,000	-23,679	-41,317	23,209	47,390
	2167	5	24,000	-24,000	-38,052	23,209	44,572

7.3 SLE q=60kPa b=40kN/m [Phase_10]

Structural element	Node	Local number	X [m]	Y [m]	u _x [10 ⁻³ m]	u _y [10 ⁻³ m]	u [10 ⁻³ m]
Plate\ 1_1	2844	1	24,000	2,500	-69,311	-15,995	71,132
Element 1-1 (Plate)	2845	2	24,000	2,375	-70,615	-15,995	72,404
(HZ975D-AZ18)	2846	3	24,000	2,250	-71,919	-15,995	73,676
	2847	4	24,000	2,125	-73,223	-15,995	74,950
	3217	5	24,000	2,000	-74,528	-15,994	76,225
Plate\ 1_2	3217	1	24,000	2,000	-74,528	-15,994	76,225
Element 2-2 (Plate)	3218	2	24,000	1,875	-75,832	-15,994	77,500
(HZ975D-AZ18)	3219	3	24,000	1,750	-77,137	-15,994	78,778
	3220	4	24,000	1,625	-78,442	-15,994	80,056
	3221	5	24,000	1,500	-79,748	-15,994	81,336
Plate\ 2_1	3500	1	24,000	1,500	-79,748	-14,214	81,005
Element 3-3 (Plate)	3501	2	24,167	1,500	-80,754	-15,524	82,233
(solettone s=1m)	3502	3	24,333	1,500	-81,668	-16,969	83,412
	3503	4	24,500	1,500	-82,413	-18,275	84,415
	3986	5	24,667	1,500	-83,123	-19,490	85,377
Plate\ 2_1	3986	1	24,667	1,500	-83,123	-19,490	85,377
Element 3-4 (Plate)	3990	2	24,833	1,500	-83,770	-20,715	86,293
(solettone s=1m)	3991	3	25,000	1,500	-84,438	-21,966	87,249
	3992	4	25,167	1,500	-85,117	-23,225	88,228
	3996	5	25,333	1,500	-85,797	-24,471	89,219
Plate\ 2_1	3996	1	25,333	1,500	-85,797	-24,471	89,219
Element 3-5 (Plate)	3997	2	25,500	1,500	-86,473	-25,685	90,207
(solettone s=1m)	3998	3	25,667	1,500	-87,141	-26,854	91,185
	3999	4	25,833	1,500	-87,799	-27,975	92,148
	4102	5	26,000	1,500	-88,441	-29,051	93,090
Plate\ 2_2	4102	1	26,000	1,500	-88,441	-29,051	93,090
Element 4-6 (Plate)	4106	2	26,188	1,500	-89,145	-30,220	94,127
(solettone s=1m)	4107	3	26,375	1,500	-89,830	-31,344	95,142
	4108	4	26,563	1,500	-90,500	-32,420	96,131
	4426	5	26,750	1,500	-91,159	-33,447	97,101
Plate\ 2_2	4426	1	26,750	1,500	-91,159	-33,447	97,101
Element 4-7 (Plate)	4427	2	26,938	1,500	-91,803	-34,409	98,040
(solettone s=1m)	4428	3	27,125	1,500	-92,432	-35,344	98,959
	4429	4	27,313	1,500	-93,048	-36,229	99,852
	4436	5	27,500	1,500	-93,660	-37,055	100,723
Plate\ 2_2	4436	1	27,500	1,500	-93,660	-37,055	100,723
Element 4-8 (Plate)	4437	2	27,688	1,500	-94,261	-37,846	101,575
(solettone s=1m)	4438	3	27,875	1,500	-94,847	-38,585	102,395
	4439	4	28,063	1,500	-95,416	-39,278	103,184
	4612	5	28,250	1,500	-95,959	-39,946	103,942
Plate\ 2_2	4612	1	28,250	1,500	-95,959	-39,946	103,942
Element 4-9 (Plate)	4606	2	28,438	1,500	-96,503	-40,542	104,673
(solettone s=1m)	4607	3	28,625	1,500	-97,028	-41,110	105,378
	4608	4	28,813	1,500	-97,532	-41,639	106,049
	4638	5	29,000	1,500	-98,016	-42,135	106,689
Plate\ 2_2	4638	1	29,000	1,500	-98,016	-42,135	106,689
Element 4-10 (Plate)	4642	2	29,188	1,500	-98,480	-42,604	107,301
(solettone s=1m)	4643	3	29,375	1,500	-98,930	-43,041	107,887
	4644	4	29,563	1,500	-99,369	-43,435	108,448
	5122	5	29,750	1,500	-99,796	-43,772	108,974
Plate\ 2_2	5122	1	29,750	1,500	-99,796	-43,772	108,974
Element 4-11 (Plate)	5116	2	29,938	1,500	-100,226	-44,110	109,504
(solettone s=1m)	5117	3	30,125	1,500	-100,623	-44,382	109,976
	5118	4	30,313	1,500	-100,994	-44,609	110,407
	5132	5	30,500	1,500	-101,348	-44,809	110,812
Plate\ 2_2	5132	1	30,500	1,500	-101,348	-44,809	110,812
Element 4-12 (Plate)	5133	2	30,688	1,500	-101,690	-44,993	111,198
(solettone s=1m)	5134	3	30,875	1,500	-102,022	-45,153	111,567
	5135	4	31,063	1,500	-102,347	-45,292	111,920
	5148	5	31,250	1,500	-102,656	-45,416	112,253
Plate\ 2_2	5148	1	31,250	1,500	-102,656	-45,416	112,253
Element 4-13 (Plate)	5142	2	31,438	1,500	-102,958	-45,507	112,566
(solettone s=1m)	5143	3	31,625	1,500	-103,247	-45,585	112,863
	5144	4	31,813	1,500	-103,530	-45,637	113,142
	5164	5	32,000	1,500	-103,785	-45,685	113,395
Plate\ 2_3	5164	1	32,000	1,500	-103,785	-45,685	113,395
Element 5-14 (Plate)	5168	2	32,188	1,500	-104,029	-45,714	113,630
(solettone s=1m)	5169	3	32,375	1,500	-104,273	-45,743	113,865
	5170	4	32,563	1,500	-104,498	-45,743	114,071
	5788	5	32,750	1,500	-104,716	-45,719	114,261

Plate\2\3	5788	1	32,750	1,500	-104,716	-45,719	114,261
Element 5-15 (Plate)	5789	2	32,938	1,500	-104,926	-45,703	114,448
(solettone s=1m)	5790	3	33,125	1,500	-105,116	-45,659	114,604
	5791	4	33,313	1,500	-105,297	-45,597	114,746
	6112	5	33,500	1,500	-105,467	-45,528	114,874
Plate\2\3	6112	1	33,500	1,500	-105,467	-45,528	114,874
Element 5-16 (Plate)	6113	2	33,688	1,500	-105,629	-45,451	114,992
(solettone s=1m)	6114	3	33,875	1,500	-105,780	-45,364	115,097
	6115	4	34,063	1,500	-105,927	-45,263	115,192
	6234	5	34,250	1,500	-106,057	-45,157	115,270
Plate\2\3	6234	1	34,250	1,500	-106,057	-45,157	115,270
Element 5-17 (Plate)	6238	2	34,438	1,500	-106,177	-45,041	115,336
(solettone s=1m)	6239	3	34,625	1,500	-106,296	-44,921	115,398
	6240	4	34,813	1,500	-106,399	-44,790	115,442
	6862	5	35,000	1,500	-106,497	-44,646	115,477
Plate\2\3	6862	1	35,000	1,500	-106,497	-44,646	115,477
Element 5-18 (Plate)	6863	2	35,188	1,500	-106,576	-44,513	115,499
(solettone s=1m)	6864	3	35,375	1,500	-106,656	-44,368	115,516
	6865	4	35,563	1,500	-106,723	-44,224	115,523
	7130	5	35,750	1,500	-106,786	-44,077	115,525
Plate\2\3	7130	1	35,750	1,500	-106,786	-44,077	115,525
Element 5-19 (Plate)	7134	2	35,938	1,500	-106,841	-43,933	115,521
(solettone s=1m)	7135	3	36,125	1,500	-106,885	-43,787	115,506
	7136	4	36,313	1,500	-106,924	-43,641	115,487
	7730	5	36,500	1,500	-106,962	-43,499	115,469
Plate\2\3	7730	1	36,500	1,500	-106,962	-43,499	115,469
Element 5-20 (Plate)	7734	2	36,688	1,500	-106,996	-43,371	115,452
(solettone s=1m)	7735	3	36,875	1,500	-107,019	-43,243	115,426
	7736	4	37,063	1,500	-107,039	-43,122	115,399
	8450	5	37,250	1,500	-107,057	-43,022	115,378
Plate\2\3	8450	1	37,250	1,500	-107,057	-43,022	115,378
Element 5-21 (Plate)	8451	2	37,438	1,500	-107,063	-42,918	115,345
(solettone s=1m)	8452	3	37,625	1,500	-107,071	-42,831	115,320
	8453	4	37,813	1,500	-107,077	-42,762	115,300
	8514	5	38,000	1,500	-107,080	-42,711	115,284
Plate\2\4	8514	1	38,000	1,500	-107,080	-42,711	115,284
Element 6-22 (Plate)	8518	2	38,250	1,500	-107,081	-42,679	115,273
(solettone s=1m)	8519	3	38,500	1,500	-107,087	-42,680	115,278
	8520	4	38,750	1,500	-107,106	-42,721	115,312
	9072	5	39,000	1,500	-107,166	-42,857	115,418
Plate\1\3	3221	1	24,000	1,500	-79,748	-15,994	81,336
Element 7-23 (Plate)	3198	2	24,000	1,375	-81,054	-15,993	82,616
(HZ975D-AZ18)	3199	3	24,000	1,250	-82,360	-15,993	83,898
	3200	4	24,000	1,125	-83,668	-15,992	85,182
	3201	5	24,000	1,000	-84,976	-15,991	86,468
Plate\1\4	3201	1	24,000	1,000	-84,976	-15,991	86,468
Element 8-24 (Plate)	3148	2	24,000	0,750	-87,632	-15,987	89,079
(HZ975D-AZ18)	3149	3	24,000	0,500	-90,290	-15,983	91,694
	3150	4	24,000	0,250	-92,944	-15,979	94,308
	3151	5	24,000	0,000	-95,592	-15,975	96,917
Plate\1\5	3151	1	24,000	0,000	-95,592	-15,975	96,917
Element 9-25 (Plate)	3055	2	24,000	-0,500	-100,851	-15,967	102,107
(HZ975D-AZ18)	3056	3	24,000	-1,000	-106,040	-15,959	107,234
	3057	4	24,000	-1,500	-111,131	-15,950	112,270
	3097	5	24,000	-2,000	-116,099	-15,942	117,188
Plate\1\6	3097	1	24,000	-2,000	-116,099	-15,942	117,188
Element 10-26 (Plate)	3099	2	24,000	-2,500	-120,917	-15,933	121,962
(HZ975D-AZ18)	3100	3	24,000	-3,000	-125,562	-15,924	126,567
	3101	4	24,000	-3,500	-130,009	-15,914	130,980
	3098	5	24,000	-4,000	-134,239	-15,905	135,178
Plate\1\7	3098	1	24,000	-4,000	-134,239	-15,905	135,178
Element 11-27 (Plate)	3079	2	24,000	-4,375	-137,256	-15,898	138,173
(HZ975D-AZ18)	3080	3	24,000	-4,750	-140,131	-15,890	141,029
	3081	4	24,000	-5,125	-142,856	-15,883	143,737
	3078	5	24,000	-5,500	-145,425	-15,875	146,289
Plate\1\7	3078	1	24,000	-5,500	-145,425	-15,875	146,289
Element 11-28 (Plate)	2987	2	24,000	-5,875	-147,829	-15,867	148,678
(HZ975D-AZ18)	2988	3	24,000	-6,250	-150,062	-15,859	150,898
	2989	4	24,000	-6,625	-152,118	-15,851	152,941
	2986	5	24,000	-7,000	-153,989	-15,843	154,802
Plate\1\7	2986	1	24,000	-7,000	-153,989	-15,843	154,802
Element 11-29 (Plate)	2956	2	24,000	-7,375	-155,671	-15,835	156,474
(HZ975D-AZ18)	2957	3	24,000	-7,750	-157,157	-15,826	157,952
	2958	4	24,000	-8,125	-158,443	-15,817	159,231
	2959	5	24,000	-8,500	-159,523	-15,809	160,305
Plate\1\7	2959	1	24,000	-8,500	-159,523	-15,809	160,305
Element 11-30 (Plate)	2799	2	24,000	-8,875	-160,393	-15,800	161,169
(HZ975D-AZ18)	2800	3	24,000	-9,250	-161,047	-15,791	161,819

	2801	4	24,000	-9,625	-161,482	-15,781	162,252
	2798	5	24,000	-10,000	-161,695	-15,772	162,463
Plate\ 1\ 8	2798	1	24,000	-10,000	-161,695	-15,772	162,463
Element 12-31 (Plate)	2781	2	24,000	-10,375	-161,682	-15,763	162,448
(HZ975D-AZ18)	2782	3	24,000	-10,750	-161,439	-15,754	162,206
	2783	4	24,000	-11,125	-160,966	-15,744	161,734
	2780	5	24,000	-11,500	-160,260	-15,735	161,031
Plate\ 1\ 9	2780	1	24,000	-11,500	-160,260	-15,735	161,031
Element 13-32 (Plate)	2729	2	24,000	-11,792	-159,550	-15,727	160,324
(HZ975D-AZ18)	2730	3	24,000	-12,083	-158,700	-15,720	159,477
	2731	4	24,000	-12,375	-157,710	-15,712	158,491
	2728	5	24,000	-12,667	-156,581	-15,704	157,367
Plate\ 1\ 9	2728	1	24,000	-12,667	-156,581	-15,704	157,367
Element 13-33 (Plate)	2623	2	24,000	-12,958	-155,314	-15,696	156,105
(HZ975D-AZ18)	2624	3	24,000	-13,250	-153,910	-15,688	154,708
	2625	4	24,000	-13,542	-152,372	-15,680	153,177
	2697	5	24,000	-13,833	-150,702	-15,672	151,515
Plate\ 1\ 9	2697	1	24,000	-13,833	-150,702	-15,672	151,515
Element 13-34 (Plate)	2698	2	24,000	-14,125	-148,902	-15,663	149,724
(HZ975D-AZ18)	2699	3	24,000	-14,417	-146,976	-15,655	147,807
	2700	4	24,000	-14,708	-144,926	-15,646	145,768
	2701	5	24,000	-15,000	-142,757	-15,637	143,611
Plate\ 1\ 10	2701	1	24,000	-15,000	-142,757	-15,637	143,611
Element 14-35 (Plate)	2678	2	24,000	-15,321	-140,233	-15,627	141,101
(HZ975D-AZ18)	2679	3	24,000	-15,643	-137,576	-15,617	138,459
	2680	4	24,000	-15,964	-134,792	-15,607	135,692
	2681	5	24,000	-16,286	-131,890	-15,597	132,809
Plate\ 1\ 10	2681	1	24,000	-16,286	-131,890	-15,597	132,809
Element 14-36 (Plate)	2565	2	24,000	-16,607	-128,877	-15,587	129,816
(HZ975D-AZ18)	2566	3	24,000	-16,929	-125,760	-15,576	126,721
	2567	4	24,000	-17,250	-122,549	-15,567	123,534
	2584	5	24,000	-17,571	-119,252	-15,557	120,262
Plate\ 1\ 10	2584	1	24,000	-17,571	-119,252	-15,557	120,262
Element 14-37 (Plate)	2585	2	24,000	-17,893	-115,875	-15,547	116,914
(HZ975D-AZ18)	2586	3	24,000	-18,214	-112,428	-15,538	113,497
	2587	4	24,000	-18,536	-108,918	-15,529	110,019
	2583	5	24,000	-18,857	-105,352	-15,520	106,489
Plate\ 1\ 10	2583	1	24,000	-18,857	-105,352	-15,520	106,489
Element 14-38 (Plate)	2357	2	24,000	-19,179	-101,737	-15,511	102,913
(HZ975D-AZ18)	2358	3	24,000	-19,500	-98,081	-15,503	99,299
	2359	4	24,000	-19,821	-94,389	-15,496	95,653
	2356	5	24,000	-20,143	-90,668	-15,489	91,981
Plate\ 1\ 10	2356	1	24,000	-20,143	-90,668	-15,489	91,981
Element 14-39 (Plate)	2220	2	24,000	-20,464	-86,923	-15,482	88,291
(HZ975D-AZ18)	2221	3	24,000	-20,786	-83,158	-15,476	84,586
	2222	4	24,000	-21,107	-79,378	-15,470	80,872
	2223	5	24,000	-21,429	-75,588	-15,465	77,153
Plate\ 1\ 10	2223	1	24,000	-21,429	-75,588	-15,465	77,153
Element 14-40 (Plate)	1934	2	24,000	-21,750	-71,789	-15,460	73,435
(HZ975D-AZ18)	1935	3	24,000	-22,071	-67,985	-15,456	69,720
	1936	4	24,000	-22,393	-64,178	-15,452	66,012
	2163	5	24,000	-22,714	-60,370	-15,450	62,315
Plate\ 1\ 10	2163	1	24,000	-22,714	-60,370	-15,450	62,315
Element 14-41 (Plate)	2164	2	24,000	-23,036	-56,561	-15,447	58,632
(HZ975D-AZ18)	2165	3	24,000	-23,357	-52,752	-15,446	54,967
	2166	4	24,000	-23,679	-48,945	-15,445	51,324
	2167	5	24,000	-24,000	-45,137	-15,444	47,706

7.4 SLU11 $q=69\text{kPa}$ $b=46\text{kN/m}$ [Phase_11] (11/79)

Structural element	Node	Local number	X [m]	Y [m]	u_x [10^{-3} m]	u_y [10^{-3} m]	$ u $ [10^{-3} m]
Plate\ 1\ 1	2844	1	24,000	2,500	-78,933	-26,708	83,329
Element 1-1 (Plate)	2845	2	24,000	2,375	-80,215	-26,708	84,544
(HZ975D-AZ18)	2846	3	24,000	2,250	-81,497	-26,708	85,762
	2847	4	24,000	2,125	-82,779	-26,708	86,981
	3217	5	24,000	2,000	-84,061	-26,708	88,202
Plate\ 1\ 2	3217	1	24,000	2,000	-84,061	-26,708	88,202
Element 2-2 (Plate)	3218	2	24,000	1,875	-85,344	-26,707	89,425
(HZ975D-AZ18)	3219	3	24,000	1,750	-86,627	-26,707	90,650
	3220	4	24,000	1,625	-87,910	-26,707	91,877
	3221	5	24,000	1,500	-89,194	-26,707	93,107
Plate\ 2\ 1	3500	1	24,000	1,500	-89,194	-24,927	92,612
Element 3-3 (Plate)	3501	2	24,167	1,500	-90,200	-26,224	93,935
(solettone $s=1\text{m}$)	3502	3	24,333	1,500	-91,114	-27,656	95,218
	3503	4	24,500	1,500	-91,859	-28,949	96,313
	3986	5	24,667	1,500	-92,569	-30,151	97,355
Plate\ 2\ 1	3986	1	24,667	1,500	-92,569	-30,151	97,355
Element 3-4 (Plate)	3990	2	24,833	1,500	-93,215	-31,362	98,350

(solettone s=1m)	3991	3	25,000	1,500	-93,884	-32,600	99,383
	3992	4	25,167	1,500	-94,562	-33,846	100,437
	3996	5	25,333	1,500	-95,243	-35,079	101,497
Plate\ 2_1	3996	1	25,333	1,500	-95,243	-35,079	101,497
Element 3-5 (Plate)	3997	2	25,500	1,500	-95,919	-36,279	102,550
(solettone s=1m)	3998	3	25,667	1,500	-96,587	-37,435	103,588
	3999	4	25,833	1,500	-97,244	-38,542	104,604
	4102	5	26,000	1,500	-97,886	-39,604	105,595
Plate\ 2_2	4102	1	26,000	1,500	-97,886	-39,604	105,595
Element 4-6 (Plate)	4106	2	26,188	1,500	-98,590	-40,758	106,683
(solettone s=1m)	4107	3	26,375	1,500	-99,276	-41,867	107,743
	4108	4	26,563	1,500	-99,945	-42,928	108,775
	4426	5	26,750	1,500	-100,605	-43,940	109,782
Plate\ 2_2	4426	1	26,750	1,500	-100,605	-43,940	109,782
Element 4-7 (Plate)	4427	2	26,938	1,500	-101,249	-44,887	110,753
(solettone s=1m)	4428	3	27,125	1,500	-101,878	-45,806	111,702
	4429	4	27,313	1,500	-102,494	-46,675	112,621
	4436	5	27,500	1,500	-103,105	-47,485	113,515
Plate\ 2_2	4436	1	27,500	1,500	-103,105	-47,485	113,515
Element 4-8 (Plate)	4437	2	27,688	1,500	-103,707	-48,259	114,386
(solettone s=1m)	4438	3	27,875	1,500	-104,293	-48,981	115,222
	4439	4	28,063	1,500	-104,861	-49,657	116,025
	4612	5	28,250	1,500	-105,405	-50,308	116,795
Plate\ 2_2	4612	1	28,250	1,500	-105,405	-50,308	116,795
Element 4-9 (Plate)	4606	2	28,438	1,500	-105,949	-50,885	117,535
(solettone s=1m)	4607	3	28,625	1,500	-106,474	-51,435	118,246
	4608	4	28,813	1,500	-106,978	-51,944	118,922
	4638	5	29,000	1,500	-107,462	-52,421	119,566
Plate\ 2_2	4638	1	29,000	1,500	-107,462	-52,421	119,566
Element 4-10 (Plate)	4642	2	29,188	1,500	-107,926	-52,869	120,180
(solettone s=1m)	4643	3	29,375	1,500	-108,376	-53,286	120,767
	4644	4	29,563	1,500	-108,815	-53,659	121,326
	5122	5	29,750	1,500	-109,242	-53,975	121,848
Plate\ 2_2	5122	1	29,750	1,500	-109,242	-53,975	121,848
Element 4-11 (Plate)	5116	2	29,938	1,500	-109,672	-54,290	122,374
(solettone s=1m)	5117	3	30,125	1,500	-110,069	-54,540	122,840
	5118	4	30,313	1,500	-110,440	-54,744	123,263
	5132	5	30,500	1,500	-110,794	-54,920	123,659
Plate\ 2_2	5132	1	30,500	1,500	-110,794	-54,920	123,659
Element 4-12 (Plate)	5133	2	30,688	1,500	-111,135	-55,080	124,036
(solettone s=1m)	5134	3	30,875	1,500	-111,467	-55,216	124,394
	5135	4	31,063	1,500	-111,792	-55,330	124,736
	5148	5	31,250	1,500	-112,102	-55,430	125,057
Plate\ 2_2	5148	1	31,250	1,500	-112,102	-55,430	125,057
Element 4-13 (Plate)	5142	2	31,438	1,500	-112,403	-55,496	125,357
(solettone s=1m)	5143	3	31,625	1,500	-112,693	-55,549	125,640
	5144	4	31,813	1,500	-112,976	-55,575	125,905
	5164	5	32,000	1,500	-113,231	-55,598	126,144
Plate\ 2_3	5164	1	32,000	1,500	-113,231	-55,598	126,144
Element 5-14 (Plate)	5168	2	32,188	1,500	-113,475	-55,602	126,365
(solettone s=1m)	5169	3	32,375	1,500	-113,719	-55,605	126,586
	5170	4	32,563	1,500	-113,944	-55,580	126,777
	5788	5	32,750	1,500	-114,162	-55,531	126,951
Plate\ 2_3	5788	1	32,750	1,500	-114,162	-55,531	126,951
Element 5-15 (Plate)	5789	2	32,938	1,500	-114,372	-55,489	127,122
(solettone s=1m)	5790	3	33,125	1,500	-114,562	-55,419	127,262
	5791	4	33,313	1,500	-114,743	-55,331	127,387
	6112	5	33,500	1,500	-114,912	-55,235	127,498
Plate\ 2_3	6112	1	33,500	1,500	-114,912	-55,235	127,498
Element 5-16 (Plate)	6113	2	33,688	1,500	-115,075	-55,131	127,599
(solettone s=1m)	6114	3	33,875	1,500	-115,226	-55,017	127,687
	6115	4	34,063	1,500	-115,373	-54,887	127,764
	6234	5	34,250	1,500	-115,503	-54,754	127,824
Plate\ 2_3	6234	1	34,250	1,500	-115,503	-54,754	127,824
Element 5-17 (Plate)	6238	2	34,438	1,500	-115,623	-54,609	127,870
(solettone s=1m)	6239	3	34,625	1,500	-115,741	-54,459	127,914
	6240	4	34,813	1,500	-115,845	-54,299	127,939
	6862	5	35,000	1,500	-115,942	-54,126	127,954
Plate\ 2_3	6862	1	35,000	1,500	-115,942	-54,126	127,954
Element 5-18 (Plate)	6863	2	35,188	1,500	-116,022	-53,963	127,957
(solettone s=1m)	6864	3	35,375	1,500	-116,101	-53,786	127,955
	6865	4	35,563	1,500	-116,169	-53,611	127,943
	7130	5	35,750	1,500	-116,231	-53,433	127,925
Plate\ 2_3	7130	1	35,750	1,500	-116,231	-53,433	127,925
Element 5-19 (Plate)	7134	2	35,938	1,500	-116,287	-53,257	127,902
(solettone s=1m)	7135	3	36,125	1,500	-116,331	-53,079	127,868
	7136	4	36,313	1,500	-116,370	-52,901	127,830
	7730	5	36,500	1,500	-116,408	-52,726	127,792
Plate\ 2_3	7730	1	36,500	1,500	-116,408	-52,726	127,792

Element 5-20 (Plate)	7734	2	36,688	1,500	-116,441	-52,565	127,756
(solettone s=1m)	7735	3	36,875	1,500	-116,465	-52,404	127,712
	7736	4	37,063	1,500	-116,485	-52,250	127,667
	8450	5	37,250	1,500	-116,503	-52,117	127,629
Plate\ 2_3	8450	1	37,250	1,500	-116,503	-52,117	127,629
Element 5-21 (Plate)	8451	2	37,438	1,500	-116,509	-51,979	127,578
(solettone s=1m)	8452	3	37,625	1,500	-116,516	-51,860	127,536
	8453	4	37,813	1,500	-116,523	-51,757	127,500
	8514	5	38,000	1,500	-116,525	-51,673	127,469
Plate\ 2_4	8514	1	38,000	1,500	-116,525	-51,673	127,469
Element 6-22 (Plate)	8518	2	38,250	1,500	-116,527	-51,598	127,440
(solettone s=1m)	8519	3	38,500	1,500	-116,532	-51,555	127,427
	8520	4	38,750	1,500	-116,552	-51,553	127,444
	9072	5	39,000	1,500	-116,611	-51,646	127,536
Plate\ 1_3	3221	1	24,000	1,500	-89,194	-26,707	93,107
Element 7-23 (Plate)	3198	2	24,000	1,375	-90,478	-26,706	94,337
(HZ975D-AZ18)	3199	3	24,000	1,250	-91,762	-26,705	95,569
	3200	4	24,000	1,125	-93,048	-26,705	96,805
	3201	5	24,000	1,000	-94,336	-26,704	98,043
Plate\ 1_4	3201	1	24,000	1,000	-94,336	-26,704	98,043
Element 8-24 (Plate)	3148	2	24,000	0,750	-96,951	-26,699	100,560
(HZ975D-AZ18)	3149	3	24,000	0,500	-99,568	-26,695	103,084
	3150	4	24,000	0,250	-102,183	-26,690	105,611
	3151	5	24,000	0,000	-104,791	-26,686	108,136
Plate\ 1_5	3151	1	24,000	0,000	-104,791	-26,686	108,136
Element 9-25 (Plate)	3055	2	24,000	-0,500	-109,974	-26,676	113,163
(HZ975D-AZ18)	3056	3	24,000	-1,000	-115,087	-26,667	118,137
	3057	4	24,000	-1,500	-120,104	-26,657	123,027
	3097	5	24,000	-2,000	-124,998	-26,648	127,807
Plate\ 1_6	3097	1	24,000	-2,000	-124,998	-26,648	127,807
Element 10-26 (Plate)	3099	2	24,000	-2,500	-129,743	-26,638	132,450
(HZ975D-AZ18)	3100	3	24,000	-3,000	-134,314	-26,628	136,928
	3101	4	24,000	-3,500	-138,688	-26,618	141,219
	3098	5	24,000	-4,000	-142,842	-26,607	145,299
Plate\ 1_7	3098	1	24,000	-4,000	-142,842	-26,607	145,299
Element 11-27 (Plate)	3079	2	24,000	-4,375	-145,802	-26,599	148,209
(HZ975D-AZ18)	3080	3	24,000	-4,750	-148,620	-26,591	150,980
	3081	4	24,000	-5,125	-151,288	-26,583	153,605
	3078	5	24,000	-5,500	-153,797	-26,574	156,076
Plate\ 1_7	3078	1	24,000	-5,500	-153,797	-26,574	156,076
Element 11-28 (Plate)	2987	2	24,000	-5,875	-156,141	-26,565	158,384
(HZ975D-AZ18)	2988	3	24,000	-6,250	-158,312	-26,557	160,524
	2989	4	24,000	-6,625	-160,304	-26,548	162,488
	2986	5	24,000	-7,000	-162,111	-26,539	164,269
Plate\ 1_7	2986	1	24,000	-7,000	-162,111	-26,539	164,269
Element 11-29 (Plate)	2956	2	24,000	-7,375	-163,727	-26,530	165,862
(HZ975D-AZ18)	2957	3	24,000	-7,750	-165,145	-26,520	167,261
	2958	4	24,000	-8,125	-166,361	-26,511	168,460
	2959	5	24,000	-8,500	-167,370	-26,501	169,455
Plate\ 1_7	2959	1	24,000	-8,500	-167,370	-26,501	169,455
Element 11-30 (Plate)	2799	2	24,000	-8,875	-168,165	-26,492	170,239
(HZ975D-AZ18)	2800	3	24,000	-9,250	-168,743	-26,482	170,808
	2801	4	24,000	-9,625	-169,099	-26,472	171,159
	2798	5	24,000	-10,000	-169,230	-26,462	171,287
Plate\ 1_8	2798	1	24,000	-10,000	-169,230	-26,462	171,287
Element 12-31 (Plate)	2781	2	24,000	-10,375	-169,133	-26,452	171,189
(HZ975D-AZ18)	2782	3	24,000	-10,750	-168,804	-26,442	170,862
	2783	4	24,000	-11,125	-168,241	-26,431	170,305
	2780	5	24,000	-11,500	-167,443	-26,421	169,515
Plate\ 1_9	2780	1	24,000	-11,500	-167,443	-26,421	169,515
Element 13-32 (Plate)	2729	2	24,000	-11,792	-166,659	-26,413	168,740
(HZ975D-AZ18)	2730	3	24,000	-12,083	-165,734	-26,405	167,824
	2731	4	24,000	-12,375	-164,666	-26,396	166,769
	2728	5	24,000	-12,667	-163,458	-26,388	165,574
Plate\ 1_9	2728	1	24,000	-12,667	-163,458	-26,388	165,574
Element 13-33 (Plate)	2623	2	24,000	-12,958	-162,110	-26,379	164,242
(HZ975D-AZ18)	2624	3	24,000	-13,250	-160,624	-26,371	162,774
	2625	4	24,000	-13,542	-159,001	-26,362	161,171
	2697	5	24,000	-13,833	-157,244	-26,353	159,437
Plate\ 1_9	2697	1	24,000	-13,833	-157,244	-26,353	159,437
Element 13-34 (Plate)	2698	2	24,000	-14,125	-155,356	-26,344	157,574
(HZ975D-AZ18)	2699	3	24,000	-14,417	-153,339	-26,335	155,584
	2700	4	24,000	-14,708	-151,197	-26,325	153,472
	2701	5	24,000	-15,000	-148,934	-26,316	151,241
Plate\ 1_10	2701	1	24,000	-15,000	-148,934	-26,316	151,241
Element 14-35 (Plate)	2678	2	24,000	-15,321	-146,305	-26,305	148,651
(HZ975D-AZ18)	2679	3	24,000	-15,643	-143,540	-26,294	145,928
	2680	4	24,000	-15,964	-140,646	-26,284	143,081
	2681	5	24,000	-16,286	-137,632	-26,273	140,117

Plate\1\10	2681	1	24,000	-16,286	-137,632	-26,273	140,117
Element 14-36 (Plate)	2565	2	24,000	-16,607	-134,505	-26,262	137,045
(HZ975D-AZ18)	2566	3	24,000	-16,929	-131,273	-26,251	133,872
	2567	4	24,000	-17,250	-127,944	-26,240	130,607
	2584	5	24,000	-17,571	-124,526	-26,230	127,259
Plate\1\10	2584	1	24,000	-17,571	-124,526	-26,230	127,259
Element 14-37 (Plate)	2585	2	24,000	-17,893	-121,028	-26,220	123,836
(HZ975D-AZ18)	2586	3	24,000	-18,214	-117,458	-26,210	120,346
	2587	4	24,000	-18,536	-113,822	-26,200	116,799
	2583	5	24,000	-18,857	-110,130	-26,190	113,201
Plate\1\10	2583	1	24,000	-18,857	-110,130	-26,190	113,201
Element 14-38 (Plate)	2357	2	24,000	-19,179	-106,387	-26,181	109,561
(HZ975D-AZ18)	2358	3	24,000	-19,500	-102,602	-26,173	105,887
	2359	4	24,000	-19,821	-98,779	-26,164	102,186
	2356	5	24,000	-20,143	-94,926	-26,157	98,464
Plate\1\10	2356	1	24,000	-20,143	-94,926	-26,157	98,464
Element 14-39 (Plate)	2220	2	24,000	-20,464	-91,048	-26,149	94,728
(HZ975D-AZ18)	2221	3	24,000	-20,786	-87,149	-26,143	90,986
	2222	4	24,000	-21,107	-83,235	-26,136	87,242
	2223	5	24,000	-21,429	-79,309	-26,131	83,502
Plate\1\10	2223	1	24,000	-21,429	-79,309	-26,131	83,502
Element 14-40 (Plate)	1934	2	24,000	-21,750	-75,374	-26,125	79,773
(HZ975D-AZ18)	1935	3	24,000	-22,071	-71,433	-26,121	76,059
	1936	4	24,000	-22,393	-67,488	-26,117	72,366
	2163	5	24,000	-22,714	-63,542	-26,114	68,699
Plate\1\10	2163	1	24,000	-22,714	-63,542	-26,114	68,699
Element 14-41 (Plate)	2164	2	24,000	-23,036	-59,595	-26,111	65,064
(HZ975D-AZ18)	2165	3	24,000	-23,357	-55,648	-26,109	61,469
	2166	4	24,000	-23,679	-51,702	-26,108	57,920
	2167	5	24,000	-24,000	-47,756	-26,107	54,427

7.5 SLU12 [Phase_13] (13/124)

Structural element	Node	Local number	X [m]	Y [m]	$u_x [10^{-3} \text{ m}]$	$u_y [10^{-3} \text{ m}]$	$ u [10^{-3} \text{ m}]$
Plate\1\1	2844	1	24,000	2,500	-156,219	-98,955	184,923
Element 1-1 (Plate)	2845	2	24,000	2,375	-157,462	-98,955	185,974
(HZ975D-AZ18)	2846	3	24,000	2,250	-158,704	-98,955	187,027
	2847	4	24,000	2,125	-159,947	-98,955	188,082
	3217	5	24,000	2,000	-161,189	-98,955	189,140
Plate\1\2	3217	1	24,000	2,000	-161,189	-98,955	189,140
Element 2-2 (Plate)	3218	2	24,000	1,875	-162,432	-98,955	190,201
(HZ975D-AZ18)	3219	3	24,000	1,750	-163,676	-98,954	191,264
	3220	4	24,000	1,625	-164,920	-98,954	192,329
	3221	5	24,000	1,500	-166,165	-98,954	193,398
Plate\2\1	3500	1	24,000	1,500	-166,165	-97,174	192,493
Element 3-3 (Plate)	3501	2	24,167	1,500	-167,171	-98,346	193,954
(solettone s=1m)	3502	3	24,333	1,500	-168,085	-99,652	195,405
	3503	4	24,500	1,500	-168,831	-100,820	196,643
	3986	5	24,667	1,500	-169,540	-101,897	197,805
Plate\2\1	3986	1	24,667	1,500	-169,540	-101,897	197,805
Element 3-4 (Plate)	3990	2	24,833	1,500	-170,187	-102,983	198,920
(solettone s=1m)	3991	3	25,000	1,500	-170,856	-104,095	200,069
	3992	4	25,167	1,500	-171,534	-105,216	201,232
	3996	5	25,333	1,500	-172,215	-106,324	202,392
Plate\2\1	3996	1	25,333	1,500	-172,215	-106,324	202,392
Element 3-5 (Plate)	3997	2	25,500	1,500	-172,891	-107,399	203,533
(solettone s=1m)	3998	3	25,667	1,500	-173,559	-108,430	204,646
	3999	4	25,833	1,500	-174,217	-109,413	205,725
	4102	5	26,000	1,500	-174,859	-110,351	206,768
Plate\2\2	4102	1	26,000	1,500	-174,859	-110,351	206,768
Element 4-6 (Plate)	4106	2	26,188	1,500	-175,563	-111,365	207,905
(solettone s=1m)	4107	3	26,375	1,500	-176,249	-112,335	209,004
	4108	4	26,563	1,500	-176,918	-113,256	210,064
	4426	5	26,750	1,500	-177,578	-114,126	211,089
Plate\2\2	4426	1	26,750	1,500	-177,578	-114,126	211,089
Element 4-7 (Plate)	4427	2	26,938	1,500	-178,222	-114,932	212,067
(solettone s=1m)	4428	3	27,125	1,500	-178,851	-115,709	213,017
	4429	4	27,313	1,500	-179,467	-116,435	213,929
	4436	5	27,500	1,500	-180,079	-117,101	214,804
Plate\2\2	4436	1	27,500	1,500	-180,079	-117,101	214,804
Element 4-8 (Plate)	4437	2	27,688	1,500	-180,680	-117,730	215,652
(solettone s=1m)	4438	3	27,875	1,500	-181,267	-118,306	216,458
	4439	4	28,063	1,500	-181,835	-118,835	217,223
	4612	5	28,250	1,500	-182,379	-119,339	217,953
Plate\2\2	4612	1	28,250	1,500	-182,379	-119,339	217,953
Element 4-9 (Plate)	4606	2	28,438	1,500	-182,922	-119,768	218,643
(solettone s=1m)	4607	3	28,625	1,500	-183,447	-120,167	219,301
	4608	4	28,813	1,500	-183,952	-120,526	219,920

	4638	5	29,000	1,500	-184,436	-120,851	220,503		
Plate\2\2	4638	1	29,000	1,500	-184,436	-120,851	220,503		
Element 4-10 (Plate)	4642	2	29,188	1,500	-184,900	-121,146	221,053		
(solettone s=1m)	4643	3	29,375	1,500	-185,350	-121,409	221,573		
	4644	4	29,563	1,500	-185,789	-121,627	222,060		
	5122	5	29,750	1,500	-186,216	-121,786	222,504		
Plate\2\2	5122	1	29,750	1,500	-186,216	-121,786	222,504		
Element 4-11 (Plate)	5116	2	29,938	1,500	-186,647	-121,944	222,951		
(solettone s=1m)	5117	3	30,125	1,500	-187,043	-122,035	223,333		
	5118	4	30,313	1,500	-187,414	-122,079	223,668		
	5132	5	30,500	1,500	-187,768	-122,095	223,974		
Plate\2\2	5132	1	30,500	1,500	-187,768	-122,095	223,974		
Element 4-12 (Plate)	5133	2	30,688	1,500	-188,110	-122,093	224,259		
(solettone s=1m)	5134	3	30,875	1,500	-188,442	-122,067	224,523		
	5135	4	31,063	1,500	-188,767	-122,016	224,769		
	5148	5	31,250	1,500	-189,077	-121,951	224,993		
Plate\2\2	5148	1	31,250	1,500	-189,077	-121,951	224,993		
Element 4-13 (Plate)	5142	2	31,438	1,500	-189,378	-121,851	225,193		
(solettone s=1m)	5143	3	31,625	1,500	-189,668	-121,737	225,375		
	5144	4	31,813	1,500	-189,951	-121,596	225,537		
	5164	5	32,000	1,500	-190,206	-121,449	225,673		
Plate\2\3	5164	1	32,000	1,500	-190,206	-121,449	225,673		
Element 5-14 (Plate)	5168	2	32,188	1,500	-190,450	-121,285	225,790		
(solettone s=1m)	5169	3	32,375	1,500	-190,694	-121,118	225,907		
	5170	4	32,563	1,500	-190,919	-120,921	225,991		
	5788	5	32,750	1,500	-191,137	-120,700	226,057		
Plate\2\3	5788	1	32,750	1,500	-191,137	-120,700	226,057		
Element 5-15 (Plate)	5789	2	32,938	1,500	-191,347	-120,484	226,120		
(solettone s=1m)	5790	3	33,125	1,500	-191,537	-120,240	226,151		
	5791	4	33,313	1,500	-191,718	-119,976	226,164		
	6112	5	33,500	1,500	-191,887	-119,704	226,163		
Plate\2\3	6112	1	33,500	1,500	-191,887	-119,704	226,163		
Element 5-16 (Plate)	6113	2	33,688	1,500	-192,050	-119,422	226,152		
(solettone s=1m)	6114	3	33,875	1,500	-192,201	-119,129	226,126		
	6115	4	34,063	1,500	-192,348	-118,820	226,088		
	6234	5	34,250	1,500	-192,478	-118,505	226,034		
Plate\2\3	6234	1	34,250	1,500	-192,478	-118,505	226,034		
Element 5-17 (Plate)	6238	2	34,438	1,500	-192,598	-118,179	225,965		
(solettone s=1m)	6239	3	34,625	1,500	-192,716	-117,846	225,892		
	6240	4	34,813	1,500	-192,820	-117,502	225,801		
	6862	5	35,000	1,500	-192,917	-117,144	225,698		
Plate\2\3	6862	1	35,000	1,500	-192,917	-117,144	225,698		
Element 5-18 (Plate)	6863	2	35,188	1,500	-192,997	-116,794	225,585		
(solettone s=1m)	6864	3	35,375	1,500	-193,076	-116,432	225,466		
	6865	4	35,563	1,500	-193,144	-116,069	225,336		
	7130	5	35,750	1,500	-193,206	-115,703	225,202		
Plate\2\3	7130	1	35,750	1,500	-193,206	-115,703	225,202		
Element 5-19 (Plate)	7134	2	35,938	1,500	-193,262	-115,337	225,062		
(solettone s=1m)	7135	3	36,125	1,500	-193,306	-114,969	224,911		
	7136	4	36,313	1,500	-193,345	-114,601	224,756		
	7730	5	36,500	1,500	-193,383	-114,235	224,603		
Plate\2\3	7730	1	36,500	1,500	-193,383	-114,235	224,603		
Element 5-20 (Plate)	7734	2	36,688	1,500	-193,416	-113,882	224,452		
(solettone s=1m)	7735	3	36,875	1,500	-193,440	-113,529	224,294		
	7736	4	37,063	1,500	-193,459	-113,182	224,135		
	8450	5	37,250	1,500	-193,477	-112,856	223,987		
Plate\2\3	8450	1	37,250	1,500	-193,477	-112,856	223,987		
Element 5-21 (Plate)	8451	2	37,438	1,500	-193,484	-112,524	223,825		
(solettone s=1m)	8452	3	37,625	1,500	-193,491	-112,211	223,674		
	8453	4	37,813	1,500	-193,498	-111,915	223,532		
	8514	5	38,000	1,500	-193,500	-111,637	223,395		
Plate\2\4	8514	1	38,000	1,500	-193,500	-111,637	223,395		
Element 6-22 (Plate)	8518	2	38,250	1,500	-193,502	-111,305	223,230		
(solettone s=1m)	8519	3	38,500	1,500	-193,507	-111,005	223,085		
	8520	4	38,750	1,500	-193,527	-110,745	222,973		
	9072	5	39,000	1,500	-193,586	-110,581	222,943		
Plate\1\3	3221	1	24,000	1,500	-166,165	-98,954	193,398		
Element 7-23 (Plate)	3198	2	24,000	1,375	-167,408	-98,953	194,467		
(HZ975D-AZ18)	3199	3	24,000	1,250	-168,653	-98,953	195,539		
	3200	4	24,000	1,125	-169,899	-98,952	196,614		
	3201	5	24,000	1,000	-171,147	-98,951	197,693		
Plate\1\4	3201	1	24,000	1,000	-171,147	-98,951	197,693		
Element 8-24 (Plate)	3148	2	24,000	0,750	-173,690	-98,946	199,897		
(HZ975D-AZ18)	3149	3	24,000	0,500	-176,237	-98,942	202,111		
	3150	4	24,000	0,250	-178,784	-98,937	204,334		
	3151	5	24,000	0,000	-181,326	-98,932	206,559		
Plate\1\5	3151	1	24,000	0,000	-181,326	-98,932	206,559		
Element 9-25 (Plate)	3055	2	24,000	-0,500	-186,378	-98,922	211,003		
(HZ975D-AZ18)	3056	3	24,000	-1,000	-191,363	-98,912	215,415		

	3057		4	24,000	-1,500	-196,252	-98,901	219,764
	3097		5	24,000	-2,000	-201,015	-98,891	224,024
Plate\ 1\ 6	3097		1	24,000	-2,000	-201,015	-98,891	224,024
Element 10-26 (Plate)	3099		2	24,000	-2,500	-205,626	-98,880	228,165
(HZ975D-AZ18)	3100		3	24,000	-3,000	-210,055	-98,869	232,160
	3101		4	24,000	-3,500	-214,279	-98,858	235,984
	3098		5	24,000	-4,000	-218,272	-98,847	239,611
Plate\ 1\ 7	3098		1	24,000	-4,000	-218,272	-98,847	239,611
Element 11-27 (Plate)	3079		2	24,000	-4,375	-221,103	-98,838	242,189
(HZ975D-AZ18)	3080		3	24,000	-4,750	-223,782	-98,829	244,633
	3081		4	24,000	-5,125	-226,301	-98,820	246,936
	3078		5	24,000	-5,500	-228,650	-98,811	249,088
Plate\ 1\ 7	3078		1	24,000	-5,500	-228,650	-98,811	249,088
Element 11-28 (Plate)	2987		2	24,000	-5,875	-230,822	-98,802	251,079
(HZ975D-AZ18)	2988		3	24,000	-6,250	-232,808	-98,793	252,903
	2989		4	24,000	-6,625	-234,601	-98,784	254,551
	2986		5	24,000	-7,000	-236,193	-98,775	256,015
Plate\ 1\ 7	2986		1	24,000	-7,000	-236,193	-98,775	256,015
Element 11-29 (Plate)	2956		2	24,000	-7,375	-237,577	-98,765	257,289
(HZ975D-AZ18)	2957		3	24,000	-7,750	-238,747	-98,755	258,365
	2958		4	24,000	-8,125	-239,695	-98,745	259,238
	2959		5	24,000	-8,500	-240,417	-98,736	259,902
Plate\ 1\ 7	2959		1	24,000	-8,500	-240,417	-98,736	259,902
Element 11-30 (Plate)	2799		2	24,000	-8,875	-240,906	-98,725	260,350
(HZ975D-AZ18)	2800		3	24,000	-9,250	-241,157	-98,715	260,579
	2801		4	24,000	-9,625	-241,166	-98,705	260,584
	2798		5	24,000	-10,000	-240,929	-98,695	260,360
Plate\ 1\ 8	2798		1	24,000	-10,000	-240,929	-98,695	260,360
Element 12-31 (Plate)	2781		2	24,000	-10,375	-240,441	-98,684	259,905
(HZ975D-AZ18)	2782		3	24,000	-10,750	-239,699	-98,674	259,215
	2783		4	24,000	-11,125	-238,699	-98,664	258,286
	2780		5	24,000	-11,500	-237,440	-98,653	257,119
Plate\ 1\ 9	2780		1	24,000	-11,500	-237,440	-98,653	257,119
Element 13-32 (Plate)	2729		2	24,000	-11,792	-236,280	-98,645	256,046
(HZ975D-AZ18)	2730		3	24,000	-12,083	-234,963	-98,637	254,827
	2731		4	24,000	-12,375	-233,488	-98,629	253,464
	2728		5	24,000	-12,667	-231,856	-98,620	251,958
Plate\ 1\ 9	2728		1	24,000	-12,667	-231,856	-98,620	251,958
Element 13-33 (Plate)	2623		2	24,000	-12,958	-230,067	-98,612	250,310
(HZ975D-AZ18)	2624		3	24,000	-13,250	-228,122	-98,603	248,520
	2625		4	24,000	-13,542	-226,024	-98,594	246,592
	2697		5	24,000	-13,833	-223,774	-98,585	244,528
Plate\ 1\ 9	2697		1	24,000	-13,833	-223,774	-98,585	244,528
Element 13-34 (Plate)	2698		2	24,000	-14,125	-221,374	-98,576	242,329
(HZ975D-AZ18)	2699		3	24,000	-14,417	-218,826	-98,567	240,001
	2700		4	24,000	-14,708	-216,134	-98,558	237,545
	2701		5	24,000	-15,000	-213,302	-98,548	234,967
Plate\ 1\ 10	2701		1	24,000	-15,000	-213,302	-98,548	234,967
Element 14-35 (Plate)	2678		2	24,000	-15,321	-210,021	-98,538	231,989
(HZ975D-AZ18)	2679		3	24,000	-15,643	-206,581	-98,527	228,874
	2680		4	24,000	-15,964	-202,986	-98,517	225,629
	2681		5	24,000	-16,286	-199,243	-98,506	222,264
Plate\ 1\ 10	2681		1	24,000	-16,286	-199,243	-98,506	222,264
Element 14-36 (Plate)	2565		2	24,000	-16,607	-195,362	-98,495	218,786
(HZ975D-AZ18)	2566		3	24,000	-16,929	-191,348	-98,484	215,205
	2567		4	24,000	-17,250	-187,210	-98,474	211,529
	2584		5	24,000	-17,571	-182,957	-98,463	207,769
Plate\ 1\ 10	2584		1	24,000	-17,571	-182,957	-98,463	207,769
Element 14-37 (Plate)	2585		2	24,000	-17,893	-178,595	-98,452	203,934
(HZ975D-AZ18)	2586		3	24,000	-18,214	-174,135	-98,442	200,035
	2587		4	24,000	-18,536	-169,584	-98,432	196,080
	2583		5	24,000	-18,857	-164,950	-98,421	192,082
Plate\ 1\ 10	2583		1	24,000	-18,857	-164,950	-98,421	192,082
Element 14-38 (Plate)	2357		2	24,000	-19,179	-160,242	-98,412	188,049
(HZ975D-AZ18)	2358		3	24,000	-19,500	-155,468	-98,402	183,993
	2359		4	24,000	-19,821	-150,636	-98,393	179,923
	2356		5	24,000	-20,143	-145,754	-98,384	175,851
Plate\ 1\ 10	2356		1	24,000	-20,143	-145,754	-98,384	175,851
Element 14-39 (Plate)	2220		2	24,000	-20,464	-140,829	-98,375	171,786
(HZ975D-AZ18)	2221		3	24,000	-20,786	-135,868	-98,367	167,738
	2222		4	24,000	-21,107	-130,878	-98,359	163,718
	2223		5	24,000	-21,429	-125,867	-98,353	159,736
Plate\ 1\ 10	2223		1	24,000	-21,429	-125,867	-98,353	159,736
Element 14-40 (Plate)	1934		2	24,000	-21,750	-120,838	-98,346	155,800
(HZ975D-AZ18)	1935		3	24,000	-22,071	-115,795	-98,341	151,919
	1936		4	24,000	-22,393	-110,743	-98,336	148,101
	2163		5	24,000	-22,714	-105,684	-98,332	144,354
Plate\ 1\ 10	2163		1	24,000	-22,714	-105,684	-98,332	144,354
Element 14-41 (Plate)	2164		2	24,000	-23,036	-100,620	-98,328	140,687

(HZ975D-AZ18)	2165	3	24,000	-23,357	-95,554	-98,326	137,108
	2166	4	24,000	-23,679	-90,489	-98,324	133,626
	2167	5	24,000	-24,000	-85,424	-98,323	130,249

7.6 SLV [Phase_15] (17/157)

Structural element	Node	Local number	X [m]	Y [m]	u_x [10^{-3} m]	u_y [10^{-3} m]	$ u $ [10^{-3} m]
Plate\ 1_1	2844	1	24,000	2,500	-302,859	-59,807	308,707
Element 1-1 (Plate)	2845	2	24,000	2,375	-304,118	-59,807	309,943
(HZ975D-AZ18)	2846	3	24,000	2,250	-305,377	-59,807	311,178
	2847	4	24,000	2,125	-306,636	-59,807	312,414
	3217	5	24,000	2,000	-307,895	-59,807	313,650
Plate\ 1_2	3217	1	24,000	2,000	-307,895	-59,807	313,650
Element 2-2 (Plate)	3218	2	24,000	1,875	-309,153	-59,807	314,885
(HZ975D-AZ18)	3219	3	24,000	1,750	-310,412	-59,807	316,121
	3220	4	24,000	1,625	-311,671	-59,807	317,357
	3221	5	24,000	1,500	-312,929	-59,807	318,593
Plate\ 2_1	3500	1	24,000	1,500	-312,929	-58,027	318,264
Element 3-3 (Plate)	3501	2	24,167	1,500	-313,935	-59,072	319,445
(solettone s=1m)	3502	3	24,333	1,500	-314,849	-60,252	320,563
	3503	4	24,500	1,500	-315,595	-61,294	321,492
	3986	5	24,667	1,500	-316,305	-62,245	322,371
Plate\ 2_1	3986	1	24,667	1,500	-316,305	-62,245	322,371
Element 3-4 (Plate)	3990	2	24,833	1,500	-316,952	-63,206	323,193
(solettone s=1m)	3991	3	25,000	1,500	-317,621	-64,195	324,043
	3992	4	25,167	1,500	-318,299	-65,193	324,907
	3996	5	25,333	1,500	-318,980	-66,179	325,773
Plate\ 2_1	3996	1	25,333	1,500	-318,980	-66,179	325,773
Element 3-5 (Plate)	3997	2	25,500	1,500	-319,656	-67,134	326,630
(solettone s=1m)	3998	3	25,667	1,500	-320,324	-68,046	327,472
	3999	4	25,833	1,500	-320,982	-68,911	328,296
	4102	5	26,000	1,500	-321,625	-69,733	329,098
Plate\ 2_2	4102	1	26,000	1,500	-321,625	-69,733	329,098
Element 4-6 (Plate)	4106	2	26,188	1,500	-322,328	-70,619	329,974
(solettone s=1m)	4107	3	26,375	1,500	-323,014	-71,460	330,824
	4108	4	26,563	1,500	-323,684	-72,255	331,650
	4426	5	26,750	1,500	-324,343	-73,003	332,457
Plate\ 2_2	4426	1	26,750	1,500	-324,343	-73,003	332,457
Element 4-7 (Plate)	4427	2	26,938	1,500	-324,987	-73,687	333,236
(solettone s=1m)	4428	3	27,125	1,500	-325,617	-74,345	333,996
	4429	4	27,313	1,500	-326,232	-74,955	334,732
	4436	5	27,500	1,500	-326,844	-75,508	335,452
Plate\ 2_2	4436	1	27,500	1,500	-326,844	-75,508	335,452
Element 4-8 (Plate)	4437	2	27,688	1,500	-327,445	-76,027	336,155
(solettone s=1m)	4438	3	27,875	1,500	-328,032	-76,496	336,833
	4439	4	28,063	1,500	-328,600	-76,921	337,483
	4612	5	28,250	1,500	-329,143	-77,323	338,104
Plate\ 2_2	4612	1	28,250	1,500	-329,143	-77,323	338,104
Element 4-9 (Plate)	4606	2	28,438	1,500	-329,687	-77,656	338,709
(solettone s=1m)	4607	3	28,625	1,500	-330,212	-77,962	339,290
	4608	4	28,813	1,500	-330,716	-78,230	339,843
	4638	5	29,000	1,500	-331,200	-78,469	340,369
Plate\ 2_2	4638	1	29,000	1,500	-331,200	-78,469	340,369
Element 4-10 (Plate)	4642	2	29,188	1,500	-331,664	-78,682	340,869
(solettone s=1m)	4643	3	29,375	1,500	-332,114	-78,865	341,350
	4644	4	29,563	1,500	-332,553	-79,008	341,810
	5122	5	29,750	1,500	-332,980	-79,096	342,245
Plate\ 2_2	5122	1	29,750	1,500	-332,980	-79,096	342,245
Element 4-11 (Plate)	5116	2	29,938	1,500	-333,411	-79,187	342,685
(solettone s=1m)	5117	3	30,125	1,500	-333,807	-79,213	343,077
	5118	4	30,313	1,500	-334,178	-79,198	343,434
	5132	5	30,500	1,500	-334,532	-79,157	343,770
Plate\ 2_2	5132	1	30,500	1,500	-334,532	-79,157	343,770
Element 4-12 (Plate)	5133	2	30,688	1,500	-334,873	-79,102	344,089
(solettone s=1m)	5134	3	30,875	1,500	-335,205	-79,027	344,395
	5135	4	31,063	1,500	-335,530	-78,931	344,689
	5148	5	31,250	1,500	-335,840	-78,823	344,966
Plate\ 2_2	5148	1	31,250	1,500	-335,840	-78,823	344,966
Element 4-13 (Plate)	5142	2	31,438	1,500	-336,141	-78,684	345,228
(solettone s=1m)	5143	3	31,625	1,500	-336,431	-78,535	345,476
	5144	4	31,813	1,500	-336,714	-78,361	345,711
	5164	5	32,000	1,500	-336,969	-78,184	345,920
Plate\ 2_3	5164	1	32,000	1,500	-336,969	-78,184	345,920
Element 5-14 (Plate)	5168	2	32,188	1,500	-337,212	-77,991	346,114
(solettone s=1m)	5169	3	32,375	1,500	-337,457	-77,798	346,308
	5170	4	32,563	1,500	-337,681	-77,579	346,478
	5788	5	32,750	1,500	-337,898	-77,337	346,636
Plate\ 2_3	5788	1	32,750	1,500	-337,898	-77,337	346,636

Element 5-15 (Plate)	5789	2	32,938	1,500	-338,109	-77,104	346,789
(solettone s=1m)	5790	3	33,125	1,500	-338,298	-76,846	346,916
	5791	4	33,313	1,500	-338,479	-76,571	347,032
	6112	5	33,500	1,500	-338,648	-76,290	347,135
Plate\ 2_3	6112	1	33,500	1,500	-338,648	-76,290	347,135
Element 5-16 (Plate)	6113	2	33,688	1,500	-338,810	-76,003	347,230
(solettone s=1m)	6114	3	33,875	1,500	-338,961	-75,709	347,313
	6115	4	34,063	1,500	-339,108	-75,400	347,389
	6234	5	34,250	1,500	-339,238	-75,089	347,449
Plate\ 2_3	6234	1	34,250	1,500	-339,238	-75,089	347,449
Element 5-17 (Plate)	6238	2	34,438	1,500	-339,357	-74,770	347,497
(solettone s=1m)	6239	3	34,625	1,500	-339,475	-74,447	347,543
	6240	4	34,813	1,500	-339,579	-74,115	347,573
	6862	5	35,000	1,500	-339,676	-73,773	347,595
Plate\ 2_3	6862	1	35,000	1,500	-339,676	-73,773	347,595
Element 5-18 (Plate)	6863	2	35,188	1,500	-339,755	-73,442	347,602
(solettone s=1m)	6864	3	35,375	1,500	-339,834	-73,100	347,607
	6865	4	35,563	1,500	-339,902	-72,760	347,602
	7130	5	35,750	1,500	-339,964	-72,420	347,592
Plate\ 2_3	7130	1	35,750	1,500	-339,964	-72,420	347,592
Element 5-19 (Plate)	7134	2	35,938	1,500	-340,019	-72,082	347,576
(solettone s=1m)	7135	3	36,125	1,500	-340,062	-71,743	347,548
	7136	4	36,313	1,500	-340,101	-71,407	347,517
	7730	5	36,500	1,500	-340,139	-71,074	347,486
Plate\ 2_3	7730	1	36,500	1,500	-340,139	-71,074	347,486
Element 5-20 (Plate)	7734	2	36,688	1,500	-340,172	-70,755	347,453
(solettone s=1m)	7735	3	36,875	1,500	-340,196	-70,438	347,412
	7736	4	37,063	1,500	-340,215	-70,129	347,368
	8450	5	37,250	1,500	-340,233	-69,841	347,327
Plate\ 2_3	8450	1	37,250	1,500	-340,233	-69,841	347,327
Element 5-21 (Plate)	8451	2	37,438	1,500	-340,239	-69,548	347,274
(solettone s=1m)	8452	3	37,625	1,500	-340,246	-69,274	347,226
	8453	4	37,813	1,500	-340,252	-69,017	347,181
	8514	5	38,000	1,500	-340,254	-68,778	347,136
Plate\ 2_4	8514	1	38,000	1,500	-340,254	-68,778	347,136
Element 6-22 (Plate)	8518	2	38,250	1,500	-340,256	-68,493	347,081
(solettone s=1m)	8519	3	38,500	1,500	-340,261	-68,241	347,037
	8520	4	38,750	1,500	-340,280	-68,030	347,014
	9072	5	39,000	1,500	-340,340	-67,914	347,050
Plate\ 1_3	3221	1	24,000	1,500	-312,929	-59,807	318,593
Element 7-23 (Plate)	3198	2	24,000	1,375	-314,184	-59,808	319,826
(HZ975D-AZ18)	3199	3	24,000	1,250	-315,440	-59,809	321,060
	3200	4	24,000	1,125	-316,696	-59,811	322,294
	3201	5	24,000	1,000	-317,953	-59,812	323,530
Plate\ 1_4	3201	1	24,000	1,000	-317,953	-59,812	323,530
Element 8-24 (Plate)	3148	2	24,000	0,750	-320,510	-59,811	326,043
(HZ975D-AZ18)	3149	3	24,000	0,500	-323,066	-59,811	328,556
	3150	4	24,000	0,250	-325,615	-59,810	331,063
	3151	5	24,000	0,000	-328,152	-59,809	333,558
Plate\ 1_5	3151	1	24,000	0,000	-328,152	-59,809	333,558
Element 9-25 (Plate)	3055	2	24,000	-0,500	-333,172	-59,807	338,497
(HZ975D-AZ18)	3056	3	24,000	-1,000	-338,087	-59,804	343,336
	3057	4	24,000	-1,500	-342,864	-59,802	348,041
	3097	5	24,000	-2,000	-347,469	-59,799	352,577
Plate\ 1_6	3097	1	24,000	-2,000	-347,469	-59,799	352,577
Element 10-26 (Plate)	3099	2	24,000	-2,500	-351,870	-59,795	356,914
(HZ975D-AZ18)	3100	3	24,000	-3,000	-356,035	-59,792	361,020
	3101	4	24,000	-3,500	-359,936	-59,788	364,867
	3098	5	24,000	-4,000	-363,545	-59,784	368,428
Plate\ 1_7	3098	1	24,000	-4,000	-363,545	-59,784	368,428
Element 11-27 (Plate)	3079	2	24,000	-4,375	-366,045	-59,781	370,894
(HZ975D-AZ18)	3080	3	24,000	-4,750	-368,356	-59,777	373,175
	3081	4	24,000	-5,125	-370,468	-59,774	375,259
	3078	5	24,000	-5,500	-372,370	-59,771	377,137
Plate\ 1_7	3078	1	24,000	-5,500	-372,370	-59,771	377,137
Element 11-28 (Plate)	2987	2	24,000	-5,875	-374,054	-59,767	378,799
(HZ975D-AZ18)	2988	3	24,000	-6,250	-375,510	-59,763	380,236
	2989	4	24,000	-6,625	-376,728	-59,760	381,438
	2986	5	24,000	-7,000	-377,701	-59,756	382,399
Plate\ 1_7	2986	1	24,000	-7,000	-377,701	-59,756	382,399
Element 11-29 (Plate)	2956	2	24,000	-7,375	-378,421	-59,752	383,109
(HZ975D-AZ18)	2957	3	24,000	-7,750	-378,880	-59,747	383,562
	2958	4	24,000	-8,125	-379,070	-59,743	383,749
	2959	5	24,000	-8,500	-378,985	-59,739	383,664
Plate\ 1_7	2959	1	24,000	-8,500	-378,985	-59,739	383,664
Element 11-30 (Plate)	2799	2	24,000	-8,875	-378,618	-59,734	383,301
(HZ975D-AZ18)	2800	3	24,000	-9,250	-377,963	-59,729	382,653
	2801	4	24,000	-9,625	-377,014	-59,724	381,715
	2798	5	24,000	-10,000	-375,767	-59,719	380,483

Plate\1\8	2798	1	24,000	-10,000	-375,767	-59,719	380,483
Element 12-31 (Plate)	2781	2	24,000	-10,375	-374,216	-59,713	378,950
(HZ975D-AZ18)	2782	3	24,000	-10,750	-372,359	-59,708	377,115
	2783	4	24,000	-11,125	-370,191	-59,702	374,975
	2780	5	24,000	-11,500	-367,713	-59,696	372,527
Plate\1\9	2780	1	24,000	-11,500	-367,713	-59,696	372,527
Element 13-32 (Plate)	2729	2	24,000	-11,792	-365,570	-59,692	370,411
(HZ975D-AZ18)	2730	3	24,000	-12,083	-363,238	-59,687	368,109
	2731	4	24,000	-12,375	-360,717	-59,682	365,621
	2728	5	24,000	-12,667	-358,010	-59,677	362,949
Plate\1\9	2728	1	24,000	-12,667	-358,010	-59,677	362,949
Element 13-33 (Plate)	2623	2	24,000	-12,958	-355,116	-59,671	360,095
(HZ975D-AZ18)	2624	3	24,000	-13,250	-352,038	-59,666	357,059
	2625	4	24,000	-13,542	-348,778	-59,660	353,844
	2697	5	24,000	-13,833	-345,338	-59,654	350,452
Plate\1\9	2697	1	24,000	-13,833	-345,338	-59,654	350,452
Element 13-34 (Plate)	2698	2	24,000	-14,125	-341,721	-59,648	346,888
(HZ975D-AZ18)	2699	3	24,000	-14,417	-337,931	-59,642	343,153
	2700	4	24,000	-14,708	-333,971	-59,635	339,253
	2701	5	24,000	-15,000	-329,846	-59,628	335,192
Plate\1\10	2701	1	24,000	-15,000	-329,846	-59,628	335,192
Element 14-35 (Plate)	2678	2	24,000	-15,321	-325,115	-59,620	330,537
(HZ975D-AZ18)	2679	3	24,000	-15,643	-320,197	-59,612	325,699
	2680	4	24,000	-15,964	-315,101	-59,604	320,689
	2681	5	24,000	-16,286	-309,835	-59,596	315,514
Plate\1\10	2681	1	24,000	-16,286	-309,835	-59,596	315,514
Element 14-36 (Plate)	2565	2	24,000	-16,607	-304,407	-59,587	310,184
(HZ975D-AZ18)	2566	3	24,000	-16,929	-298,828	-59,579	304,709
	2567	4	24,000	-17,250	-293,106	-59,570	299,098
	2584	5	24,000	-17,571	-287,251	-59,562	293,361
Plate\1\10	2584	1	24,000	-17,571	-287,251	-59,562	293,361
Element 14-37 (Plate)	2585	2	24,000	-17,893	-281,272	-59,553	287,507
(HZ975D-AZ18)	2586	3	24,000	-18,214	-275,179	-59,545	281,548
	2587	4	24,000	-18,536	-268,982	-59,537	275,492
	2583	5	24,000	-18,857	-262,689	-59,529	269,350
Plate\1\10	2583	1	24,000	-18,857	-262,689	-59,529	269,350
Element 14-38 (Plate)	2357	2	24,000	-19,179	-256,311	-59,521	263,131
(HZ975D-AZ18)	2358	3	24,000	-19,500	-249,855	-59,513	256,845
	2359	4	24,000	-19,821	-243,330	-59,506	250,500
	2356	5	24,000	-20,143	-236,745	-59,499	244,107
Plate\1\10	2356	1	24,000	-20,143	-236,745	-59,499	244,107
Element 14-39 (Plate)	2220	2	24,000	-20,464	-230,108	-59,492	237,674
(HZ975D-AZ18)	2221	3	24,000	-20,786	-223,425	-59,486	231,208
	2222	4	24,000	-21,107	-216,704	-59,480	224,719
	2223	5	24,000	-21,429	-209,952	-59,474	218,214
Plate\1\10	2223	1	24,000	-21,429	-209,952	-59,474	218,214
Element 14-40 (Plate)	1934	2	24,000	-21,750	-203,175	-59,469	211,699
(HZ975D-AZ18)	1935	3	24,000	-22,071	-196,378	-59,464	205,184
	1936	4	24,000	-22,393	-189,566	-59,460	198,673
	2163	5	24,000	-22,714	-182,745	-59,457	192,174
Plate\1\10	2163	1	24,000	-22,714	-182,745	-59,457	192,174
Element 14-41 (Plate)	2164	2	24,000	-23,036	-175,916	-59,454	185,691
(HZ975D-AZ18)	2165	3	24,000	-23,357	-169,086	-59,452	179,233
	2166	4	24,000	-23,679	-162,255	-59,450	172,803
	2167	5	24,000	-24,000	-155,426	-59,450	166,408

7.7 SLD [Phase_17] (18/172)

Structural element	Node	Local number	X [m]	Y [m]	u _x [10 ⁻³ m]	u _y [10 ⁻³ m]	u [10 ⁻³ m]
Plate\1\1	2844	1	24,000	2,500	-166,414	-27,798	168,720
Element 1-1 (Plate)	2845	2	24,000	2,375	-167,732	-27,798	170,020
(HZ975D-AZ18)	2846	3	24,000	2,250	-169,050	-27,798	171,321
	2847	4	24,000	2,125	-170,368	-27,798	172,621
	3217	5	24,000	2,000	-171,686	-27,798	173,922
Plate\1\2	3217	1	24,000	2,000	-171,686	-27,798	173,922
Element 2-2 (Plate)	3218	2	24,000	1,875	-173,004	-27,798	175,223
(HZ975D-AZ18)	3219	3	24,000	1,750	-174,322	-27,798	176,524
	3220	4	24,000	1,625	-175,639	-27,798	177,825
	3221	5	24,000	1,500	-176,957	-27,798	179,127
Plate\2\1	3500	1	24,000	1,500	-176,957	-26,018	178,859
Element 3-3 (Plate)	3501	2	24,167	1,500	-177,963	-27,201	180,030
(solettone s=1m)	3502	3	24,333	1,500	-178,877	-28,519	181,136
	3503	4	24,500	1,500	-179,623	-29,699	182,061
	3986	5	24,667	1,500	-180,332	-30,788	182,942
Plate\2\1	3986	1	24,667	1,500	-180,332	-30,788	182,942
Element 3-4 (Plate)	3990	2	24,833	1,500	-180,979	-31,887	183,767
(solettone s=1m)	3991	3	25,000	1,500	-181,648	-33,012	184,624
	3992	4	25,167	1,500	-182,327	-34,147	185,497

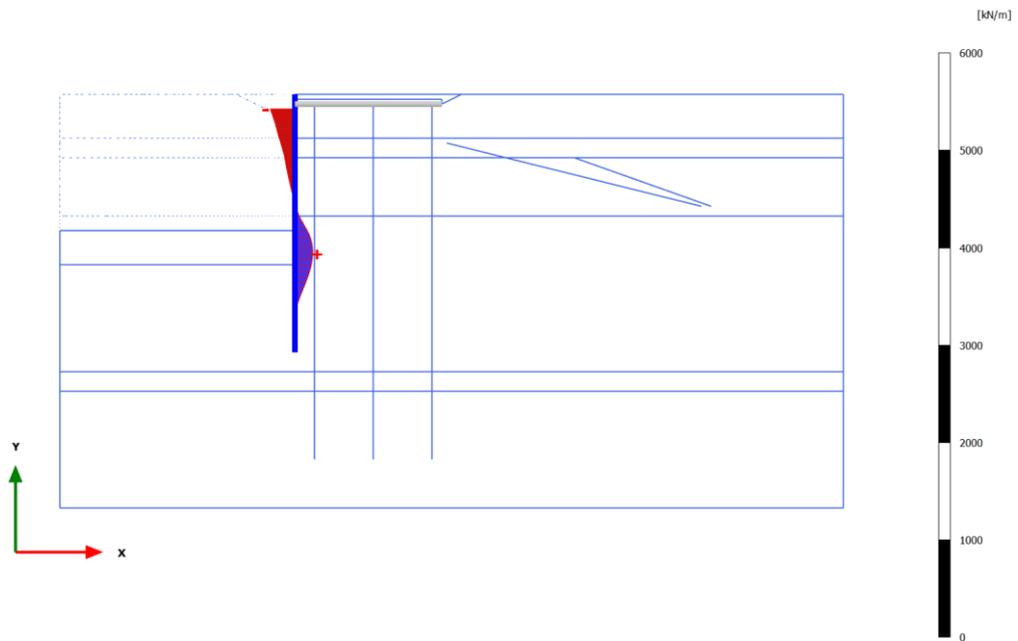
	3996		5	25,333	1,500	-183,007	-35,269	186,375
Plate\ 2_1	3996		1	25,333	1,500	-183,007	-35,269	186,375
Element 3-5 (Plate)	3997		2	25,500	1,500	-183,683	-36,359	187,247
(solettone s=1m)	3998		3	25,667	1,500	-184,352	-37,406	188,108
	3999		4	25,833	1,500	-185,009	-38,405	188,953
	4102		5	26,000	1,500	-185,652	-39,360	189,778
Plate\ 2_2	4102		1	26,000	1,500	-185,652	-39,360	189,778
Element 4-6 (Plate)	4106		2	26,188	1,500	-186,356	-40,393	190,683
(solettone s=1m)	4107		3	26,375	1,500	-187,041	-41,381	191,564
	4108		4	26,563	1,500	-187,711	-42,323	192,423
	4426		5	26,750	1,500	-188,370	-43,215	193,264
Plate\ 2_2	4426		1	26,750	1,500	-188,370	-43,215	193,264
Element 4-7 (Plate)	4427		2	26,938	1,500	-189,014	-44,044	194,078
(solettone s=1m)	4428		3	27,125	1,500	-189,644	-44,846	194,874
	4429		4	27,313	1,500	-190,259	-45,599	195,647
	4436		5	27,500	1,500	-190,871	-46,294	196,405
Plate\ 2_2	4436		1	27,500	1,500	-190,871	-46,294	196,405
Element 4-8 (Plate)	4437		2	27,688	1,500	-191,473	-46,955	197,146
(solettone s=1m)	4438		3	27,875	1,500	-192,059	-47,564	197,861
	4439		4	28,063	1,500	-192,627	-48,129	198,549
	4612		5	28,250	1,500	-193,171	-48,671	199,208
Plate\ 2_2	4612		1	28,250	1,500	-193,171	-48,671	199,208
Element 4-9 (Plate)	4606		2	28,438	1,500	-193,715	-49,141	199,850
(solettone s=1m)	4607		3	28,625	1,500	-194,240	-49,585	200,469
	4608		4	28,813	1,500	-194,744	-49,990	201,058
	4638		5	29,000	1,500	-195,228	-50,364	201,620
Plate\ 2_2	4638		1	29,000	1,500	-195,228	-50,364	201,620
Element 4-10 (Plate)	4642		2	29,188	1,500	-195,692	-50,712	202,156
(solettone s=1m)	4643		3	29,375	1,500	-196,142	-51,030	202,672
	4644		4	29,563	1,500	-196,581	-51,307	203,166
	5122		5	29,750	1,500	-197,008	-51,528	203,635
Plate\ 2_2	5122		1	29,750	1,500	-197,008	-51,528	203,635
Element 4-11 (Plate)	5116		2	29,938	1,500	-197,439	-51,750	204,108
(solettone s=1m)	5117		3	30,125	1,500	-197,835	-51,909	204,532
	5118		4	30,313	1,500	-198,206	-52,024	204,920
	5132		5	30,500	1,500	-198,560	-52,113	205,285
Plate\ 2_2	5132		1	30,500	1,500	-198,560	-52,113	205,285
Element 4-12 (Plate)	5133		2	30,688	1,500	-198,902	-52,187	205,634
(solettone s=1m)	5134		3	30,875	1,500	-199,234	-52,239	205,969
	5135		4	31,063	1,500	-199,559	-52,271	206,291
	5148		5	31,250	1,500	-199,868	-52,290	206,595
Plate\ 2_2	5148		1	31,250	1,500	-199,868	-52,290	206,595
Element 4-13 (Plate)	5142		2	31,438	1,500	-200,170	-52,278	206,884
(solettone s=1m)	5143		3	31,625	1,500	-200,460	-52,253	207,158
	5144		4	31,813	1,500	-200,742	-52,203	207,419
	5164		5	32,000	1,500	-200,998	-52,151	207,653
Plate\ 2_3	5164		1	32,000	1,500	-200,998	-52,151	207,653
Element 5-14 (Plate)	5168		2	32,188	1,500	-201,241	-52,080	207,871
(solettone s=1m)	5169		3	32,375	1,500	-201,486	-52,009	208,090
	5170		4	32,563	1,500	-201,710	-51,911	208,283
	5788		5	32,750	1,500	-201,928	-51,790	208,464
Plate\ 2_3	5788		1	32,750	1,500	-201,928	-51,790	208,464
Element 5-15 (Plate)	5789		2	32,938	1,500	-202,138	-51,676	208,639
(solettone s=1m)	5790		3	33,125	1,500	-202,328	-51,537	208,789
	5791		4	33,313	1,500	-202,509	-51,380	208,925
	6112		5	33,500	1,500	-202,678	-51,218	209,050
Plate\ 2_3	6112		1	33,500	1,500	-202,678	-51,218	209,050
Element 5-16 (Plate)	6113		2	33,688	1,500	-202,841	-51,048	209,166
(solettone s=1m)	6114		3	33,875	1,500	-202,992	-50,870	209,269
	6115		4	34,063	1,500	-203,139	-50,677	209,365
	6234		5	34,250	1,500	-203,269	-50,482	209,443
Plate\ 2_3	6234		1	34,250	1,500	-203,269	-50,482	209,443
Element 5-17 (Plate)	6238		2	34,438	1,500	-203,388	-50,278	209,511
(solettone s=1m)	6239		3	34,625	1,500	-203,507	-50,070	209,576
	6240		4	34,813	1,500	-203,610	-49,853	209,624
	6862		5	35,000	1,500	-203,708	-49,625	209,665
Plate\ 2_3	6862		1	35,000	1,500	-203,708	-49,625	209,665
Element 5-18 (Plate)	6863		2	35,188	1,500	-203,787	-49,407	209,691
(solettone s=1m)	6864		3	35,375	1,500	-203,866	-49,179	209,714
	6865		4	35,563	1,500	-203,934	-48,952	209,727
	7130		5	35,750	1,500	-203,996	-48,725	209,735
Plate\ 2_3	7130		1	35,750	1,500	-203,996	-48,725	209,735
Element 5-19 (Plate)	7134		2	35,938	1,500	-204,052	-48,500	209,737
(solettone s=1m)	7135		3	36,125	1,500	-204,095	-48,274	209,727
	7136		4	36,313	1,500	-204,134	-48,050	209,713
	7730		5	36,500	1,500	-204,173	-47,830	209,700
Plate\ 2_3	7730		1	36,500	1,500	-204,173	-47,830	209,700
Element 5-20 (Plate)	7734		2	36,688	1,500	-204,206	-47,624	209,685
(solettone s=1m)	7735		3	36,875	1,500	-204,229	-47,419	209,662

	7736		4	37,063	1,500	-204,249	-47,222	209,636
	8450		5	37,250	1,500	-204,267	-47,046	209,614
Plate\ 2_3	8450		1	37,250	1,500	-204,267	-47,046	209,614
Element 5-21 (Plate)	8451		2	37,438	1,500	-204,273	-46,866	209,580
(solettone s=1m)	8452		3	37,625	1,500	-204,280	-46,705	209,551
	8453		4	37,813	1,500	-204,286	-46,560	209,525
	8514		5	38,000	1,500	-204,289	-46,434	209,500
Plate\ 2_4	8514		1	38,000	1,500	-204,289	-46,434	209,500
Element 6-22 (Plate)	8518		2	38,250	1,500	-204,290	-46,301	209,472
(solettone s=1m)	8519		3	38,500	1,500	-204,296	-46,199	209,454
	8520		4	38,750	1,500	-204,315	-46,139	209,460
	9072		5	39,000	1,500	-204,375	-46,174	209,526
Plate\ 1_3	3221		1	24,000	1,500	-176,957	-27,798	179,127
Element 7-23 (Plate)	3198		2	24,000	1,375	-178,272	-27,798	180,426
(HZ975D-AZ18)	3199		3	24,000	1,250	-179,587	-27,799	181,726
	3200		4	24,000	1,125	-180,902	-27,799	183,026
	3201		5	24,000	1,000	-182,219	-27,800	184,327
Plate\ 1_4	3201		1	24,000	1,000	-182,219	-27,800	184,327
Element 8-24 (Plate)	3148		2	24,000	0,750	-184,890	-27,798	186,968
(HZ975D-AZ18)	3149		3	24,000	0,500	-187,559	-27,796	189,608
	3150		4	24,000	0,250	-190,223	-27,793	192,242
	3151		5	24,000	0,000	-192,875	-27,791	194,867
Plate\ 1_5	3151		1	24,000	0,000	-192,875	-27,791	194,867
Element 9-25 (Plate)	3055		2	24,000	-0,500	-198,131	-27,787	200,070
(HZ975D-AZ18)	3056		3	24,000	-1,000	-203,295	-27,782	205,185
	3057		4	24,000	-1,500	-208,339	-27,777	210,183
	3097		5	24,000	-2,000	-213,233	-27,772	215,034
Plate\ 1_6	3097		1	24,000	-2,000	-213,233	-27,772	215,034
Element 10-26 (Plate)	3099		2	24,000	-2,500	-217,948	-27,767	219,710
(HZ975D-AZ18)	3100		3	24,000	-3,000	-222,459	-27,761	224,184
	3101		4	24,000	-3,500	-226,738	-27,755	228,431
	3098		5	24,000	-4,000	-230,764	-27,749	232,426
Plate\ 1_7	3098		1	24,000	-4,000	-230,764	-27,749	232,426
Element 11-27 (Plate)	3079		2	24,000	-4,375	-233,603	-27,745	235,245
(HZ975D-AZ18)	3080		3	24,000	-4,750	-236,278	-27,740	237,901
	3081		4	24,000	-5,125	-238,780	-27,735	240,385
	3078		5	24,000	-5,500	-241,100	-27,730	242,690
Plate\ 1_7	3078		1	24,000	-5,500	-241,100	-27,730	242,690
Element 11-28 (Plate)	2987		2	24,000	-5,875	-243,232	-27,725	244,807
(HZ975D-AZ18)	2988		3	24,000	-6,250	-245,166	-27,720	246,728
	2989		4	24,000	-6,625	-246,896	-27,714	248,446
	2986		5	24,000	-7,000	-248,414	-27,709	249,954
Plate\ 1_7	2986		1	24,000	-7,000	-248,414	-27,709	249,954
Element 11-29 (Plate)	2956		2	24,000	-7,375	-249,714	-27,703	251,246
(HZ975D-AZ18)	2957		3	24,000	-7,750	-250,789	-27,697	252,314
	2958		4	24,000	-8,125	-251,634	-27,692	253,153
	2959		5	24,000	-8,500	-252,242	-27,686	253,757
Plate\ 1_7	2959		1	24,000	-8,500	-252,242	-27,686	253,757
Element 11-30 (Plate)	2799		2	24,000	-8,875	-252,608	-27,679	254,120
(HZ975D-AZ18)	2800		3	24,000	-9,250	-252,728	-27,673	254,238
	2801		4	24,000	-9,625	-252,596	-27,667	254,106
	2798		5	24,000	-10,000	-252,208	-27,660	253,720
Plate\ 1_8	2798		1	24,000	-10,000	-252,208	-27,660	253,720
Element 12-31 (Plate)	2781		2	24,000	-10,375	-251,560	-27,653	253,075
(HZ975D-AZ18)	2782		3	24,000	-10,750	-250,649	-27,647	252,169
	2783		4	24,000	-11,125	-249,472	-27,640	250,998
	2780		5	24,000	-11,500	-248,028	-27,633	249,562
Plate\ 1_9	2780		1	24,000	-11,500	-248,028	-27,633	249,562
Element 13-32 (Plate)	2729		2	24,000	-11,792	-246,719	-27,627	248,261
(HZ975D-AZ18)	2730		3	24,000	-12,083	-245,249	-27,622	246,800
	2731		4	24,000	-12,375	-243,617	-27,616	245,178
	2728		5	24,000	-12,667	-241,825	-27,610	243,396
Plate\ 1_9	2728		1	24,000	-12,667	-241,825	-27,610	243,396
Element 13-33 (Plate)	2623		2	24,000	-12,958	-239,873	-27,604	241,456
(HZ975D-AZ18)	2624		3	24,000	-13,250	-237,764	-27,597	239,360
	2625		4	24,000	-13,542	-235,498	-27,591	237,109
	2697		5	24,000	-13,833	-233,079	-27,584	234,706
Plate\ 1_9	2697		1	24,000	-13,833	-233,079	-27,584	234,706
Element 13-34 (Plate)	2698		2	24,000	-14,125	-230,509	-27,578	232,153
(HZ975D-AZ18)	2699		3	24,000	-14,417	-227,791	-27,571	229,454
	2700		4	24,000	-14,708	-224,929	-27,564	226,612
	2701		5	24,000	-15,000	-221,927	-27,556	223,632
Plate\ 1_10	2701		1	24,000	-15,000	-221,927	-27,556	223,632
Element 14-35 (Plate)	2678		2	24,000	-15,321	-218,462	-27,548	220,192
(HZ975D-AZ18)	2679		3	24,000	-15,643	-214,840	-27,540	216,598
	2680		4	24,000	-15,964	-211,067	-27,531	212,855
	2681		5	24,000	-16,286	-207,152	-27,522	208,973
Plate\ 1_10	2681		1	24,000	-16,286	-207,152	-27,522	208,973
Element 14-36 (Plate)	2565		2	24,000	-16,607	-203,104	-27,514	204,959

(HZ975D-AZ18)	2566	3	24,000	-16,929	-198,930	-27,505	200,822
	2567	4	24,000	-17,250	-194,639	-27,497	196,572
	2584	5	24,000	-17,571	-190,241	-27,488	192,216
Plate\ 1\ 10	2584	1	24,000	-17,571	-190,241	-27,488	192,216
Element 14-37 (Plate)	2585	2	24,000	-17,893	-185,742	-27,480	187,764
(HZ975D-AZ18)	2586	3	24,000	-18,214	-181,153	-27,471	183,224
	2587	4	24,000	-18,536	-176,482	-27,463	178,606
	2583	5	24,000	-18,857	-171,736	-27,455	173,917
Plate\ 1\ 10	2583	1	24,000	-18,857	-171,736	-27,455	173,917
Element 14-38 (Plate)	2357	2	24,000	-19,179	-166,924	-27,448	169,165
(HZ975D-AZ18)	2358	3	24,000	-19,500	-162,053	-27,440	164,360
	2359	4	24,000	-19,821	-157,132	-27,434	159,508
	2356	5	24,000	-20,143	-152,166	-27,427	154,618
Plate\ 1\ 10	2356	1	24,000	-20,143	-152,166	-27,427	154,618
Element 14-39 (Plate)	2220	2	24,000	-20,464	-147,162	-27,421	149,695
(HZ975D-AZ18)	2221	3	24,000	-20,786	-142,126	-27,415	144,746
	2222	4	24,000	-21,107	-137,065	-27,409	139,779
	2223	5	24,000	-21,429	-131,982	-27,404	134,797
Plate\ 1\ 10	2223	1	24,000	-21,429	-131,982	-27,404	134,797
Element 14-40 (Plate)	1934	2	24,000	-21,750	-126,883	-27,400	129,808
(HZ975D-AZ18)	1935	3	24,000	-22,071	-121,772	-27,396	124,816
	1936	4	24,000	-22,393	-116,652	-27,393	119,825
	2163	5	24,000	-22,714	-111,526	-27,390	114,841
Plate\ 1\ 10	2163	1	24,000	-22,714	-111,526	-27,390	114,841
Element 14-41 (Plate)	2164	2	24,000	-23,036	-106,397	-27,387	109,866
(HZ975D-AZ18)	2165	3	24,000	-23,357	-101,267	-27,386	104,905
	2166	4	24,000	-23,679	-96,138	-27,385	99,962
	2167	5	24,000	-24,000	-91,009	-27,384	95,040

8 Shear forces Q

8.1 Escavo -11,50 m [Phase_4] (4/21)

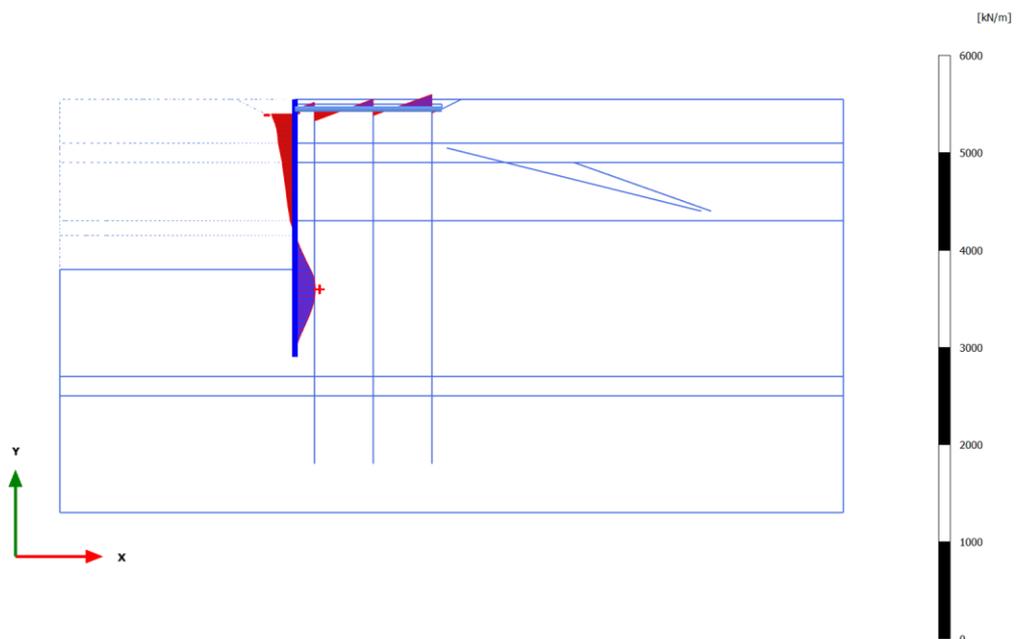


Shear forces Q (scaled up 0,0100 times)

Maximum value = 182,2 kN/m (Element 34 at Node 2697)

Minimum value = -251,9 kN/m (Element 24 at Node 3201)

8.2 Escavo -15,0m [Phase_9] (9/62)

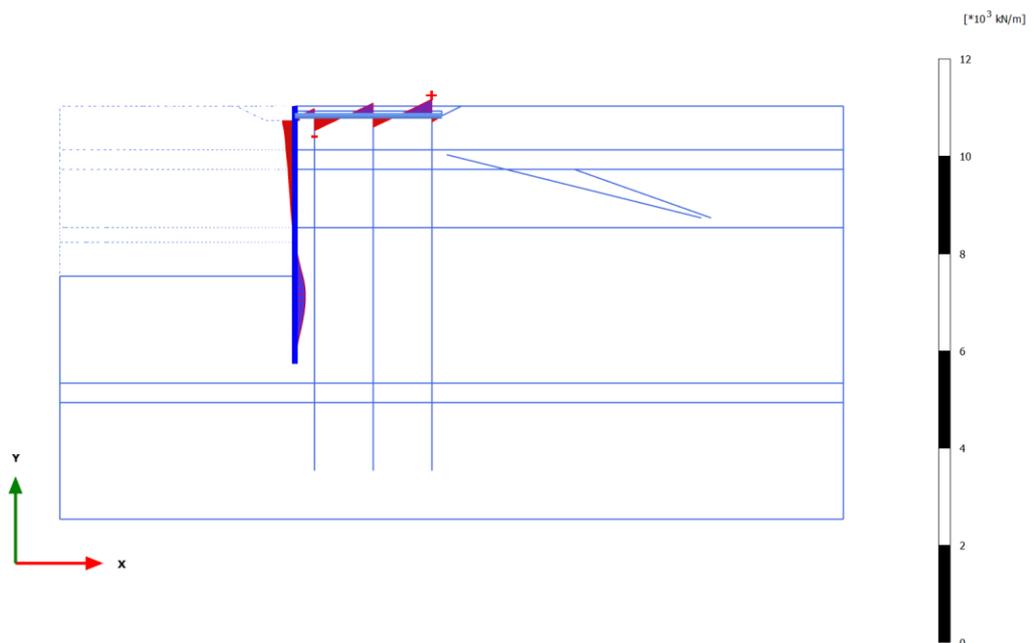


Shear forces Q (scaled up 0,0100 times)

Maximum value = 209,3 kN/m (Element 36 at Node 2566)

Minimum value = -240,2 kN/m (Element 24 at Node 3201)

8.3 SLE q=60kPa b=40kN/m [Phase_10] (10/72)

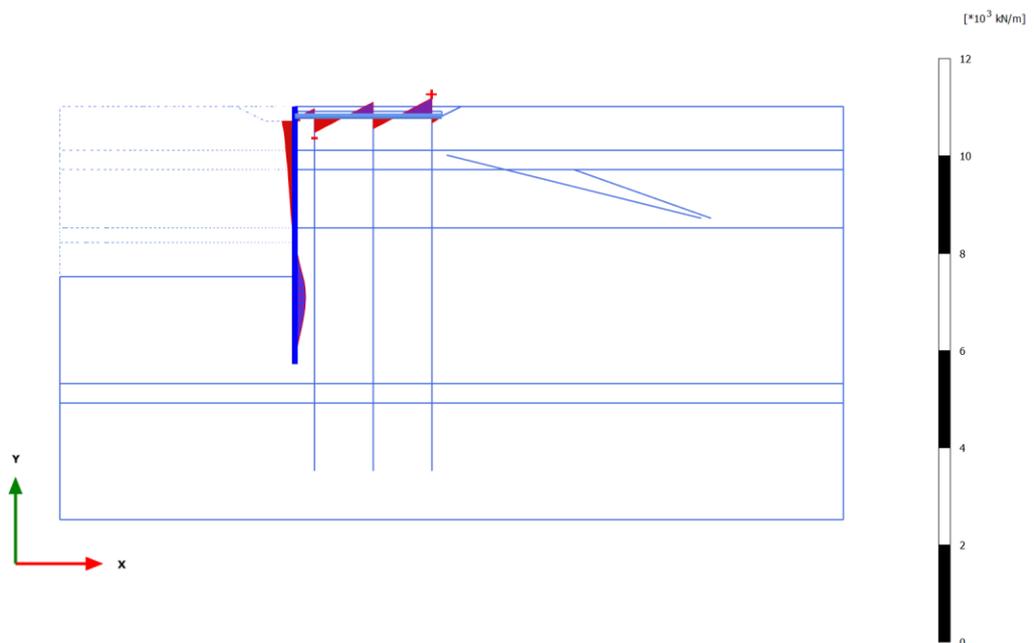


Shear forces Q (scaled up $5,00 \cdot 10^{-3}$ times)

Maximum value = 345,4 kN/m (Element 21 at Node 8514)

Minimum value = -308,4 kN/m (Element 6 at Node 4102)

8.4 SLU11 q=69kPa b=46kN/m [Phase_11] (11/79)

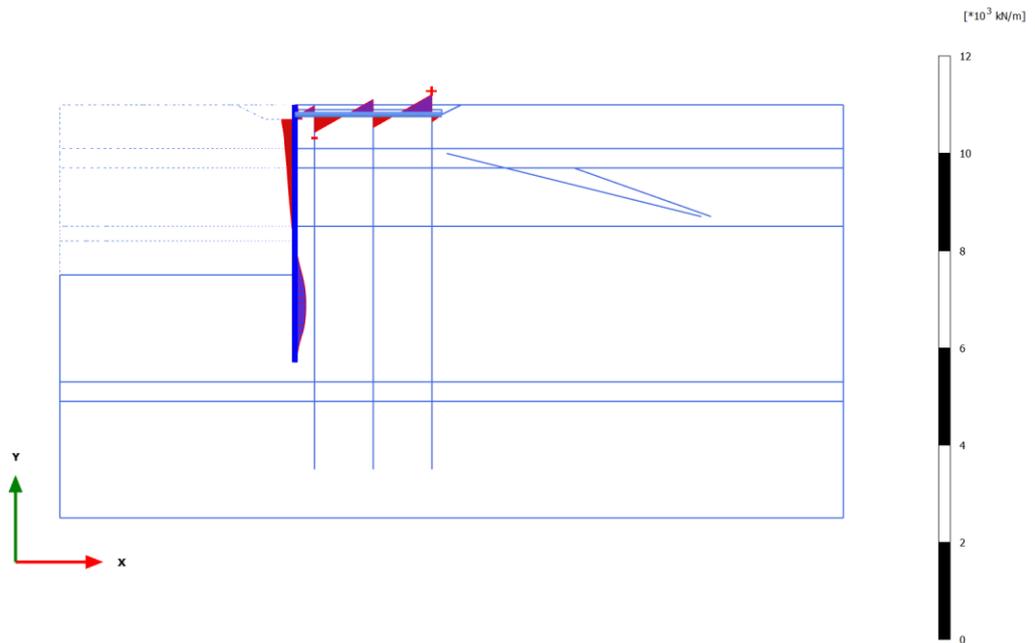


Shear forces Q (scaled up $5,00 \cdot 10^{-3}$ times)

Maximum value = 375,9 kN/m (Element 21 at Node 8514)

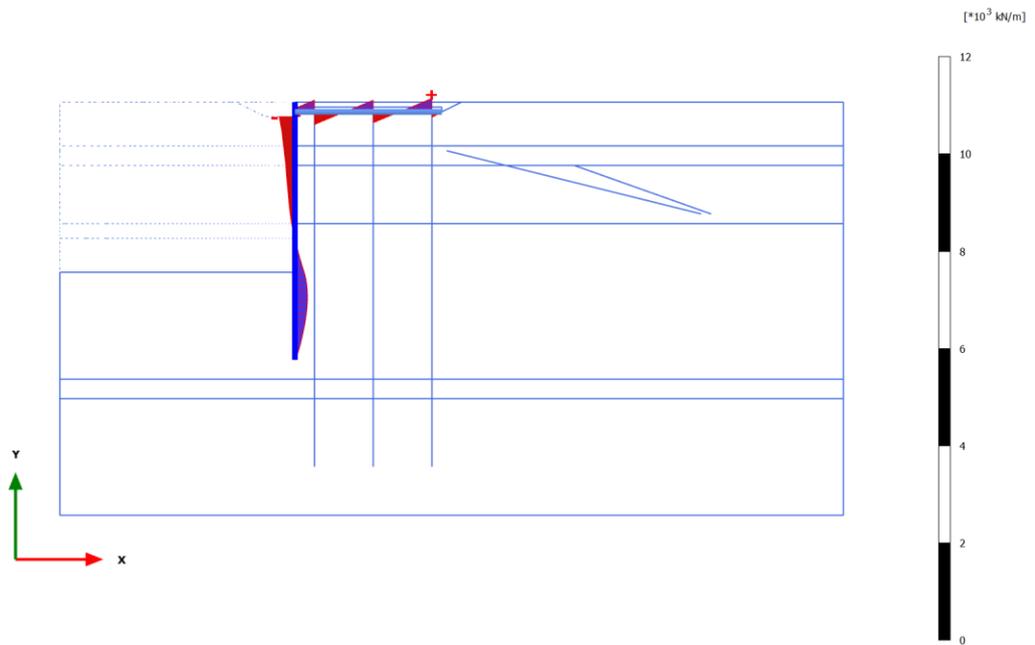
Minimum value = -336,2 kN/m (Element 6 at Node 4102)

8.5 SLU12 [Phase_13] (13/124)



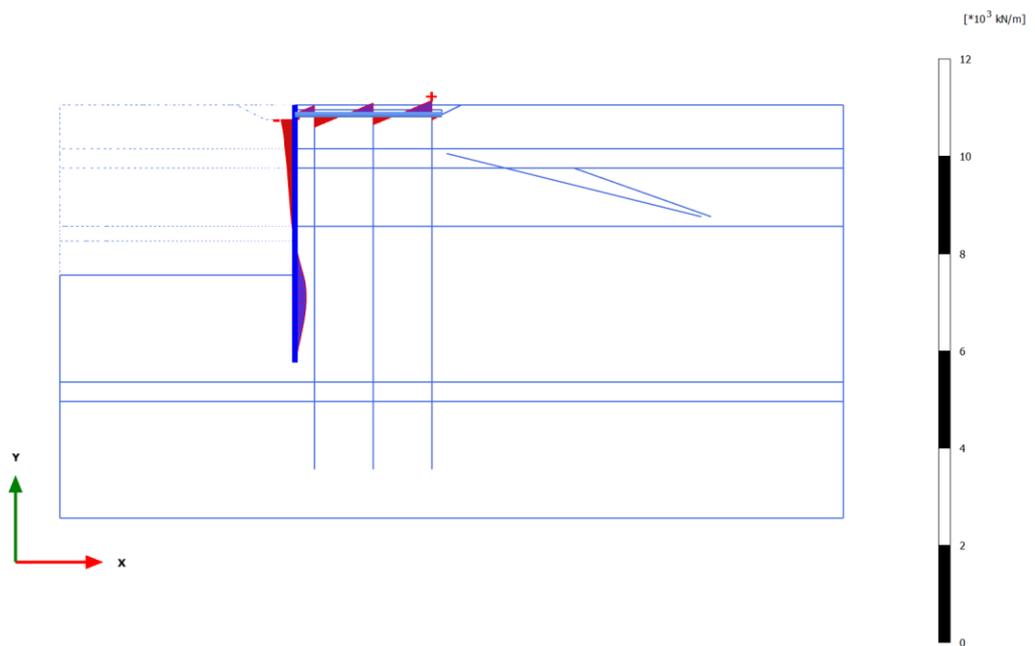
Shear forces Q (scaled up $5,00 \cdot 10^{-3}$ times)
Maximum value = 415,9 kN/m (Element 21 at Node 8514)
Minimum value = -369,8 kN/m (Element 6 at Node 4102)

8.6 SLV [Phase_15] (17/157)



Shear forces Q (scaled up $5,00 \cdot 10^{-3}$ times)
Maximum value = 280,3 kN/m (Element 21 at Node 8514)
Minimum value = -317,9 kN/m (Element 24 at Node 3201)

8.7 SLD [Phase_17] (18/172)



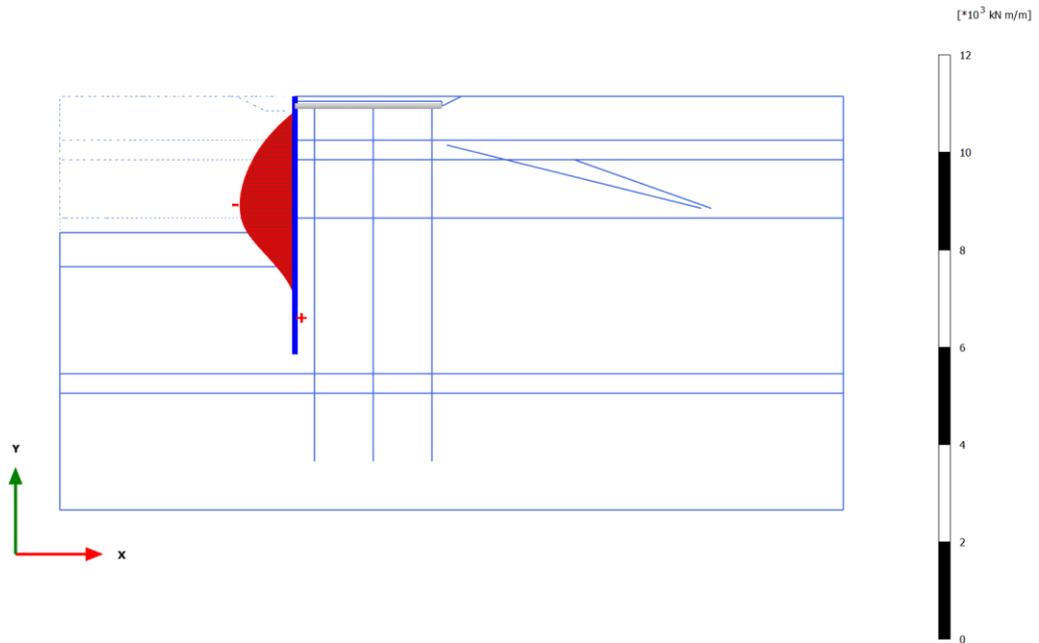
Shear forces Q (scaled up $5,00 \cdot 10^{-3}$ times)

Maximum value = 297,0 kN/m (Element 21 at Node 8514)

Minimum value = -284,2 kN/m (Element 24 at Node 3201)

9 Bending moments M

9.1 Escavo -11,50 m [Phase_4] (4/21)

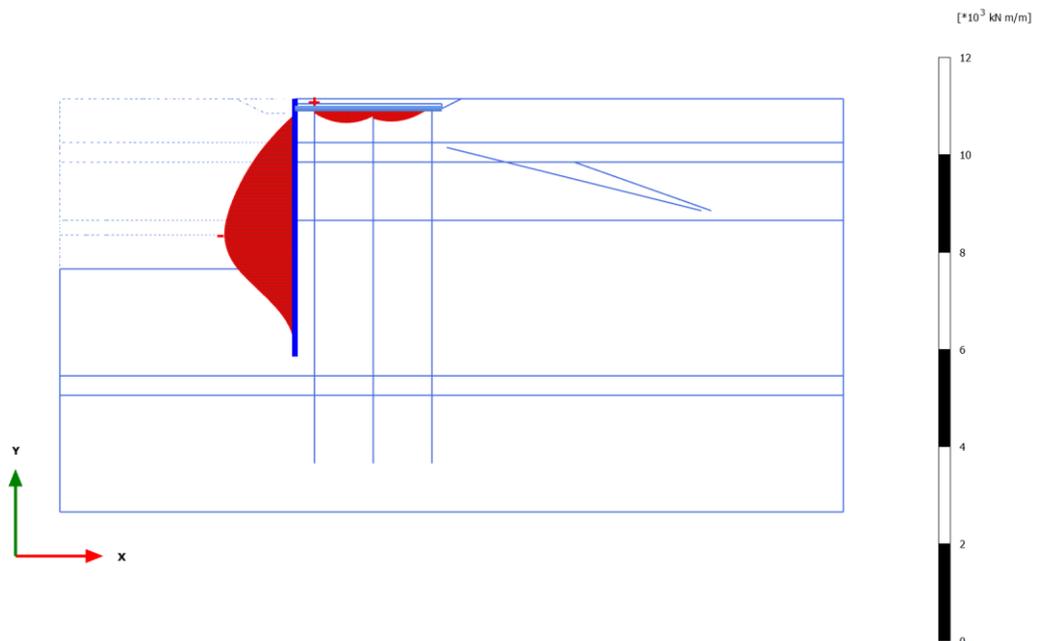


Bending moments M (scaled up 5,00*10⁻³ times)

Maximum value = 51,53 kN m/m (Element 39 at Node 2356)

Minimum value = -1122 kN m/m (Element 29 at Node 2959)

9.2 Escavo -15,0m [Phase_9] (9/62)

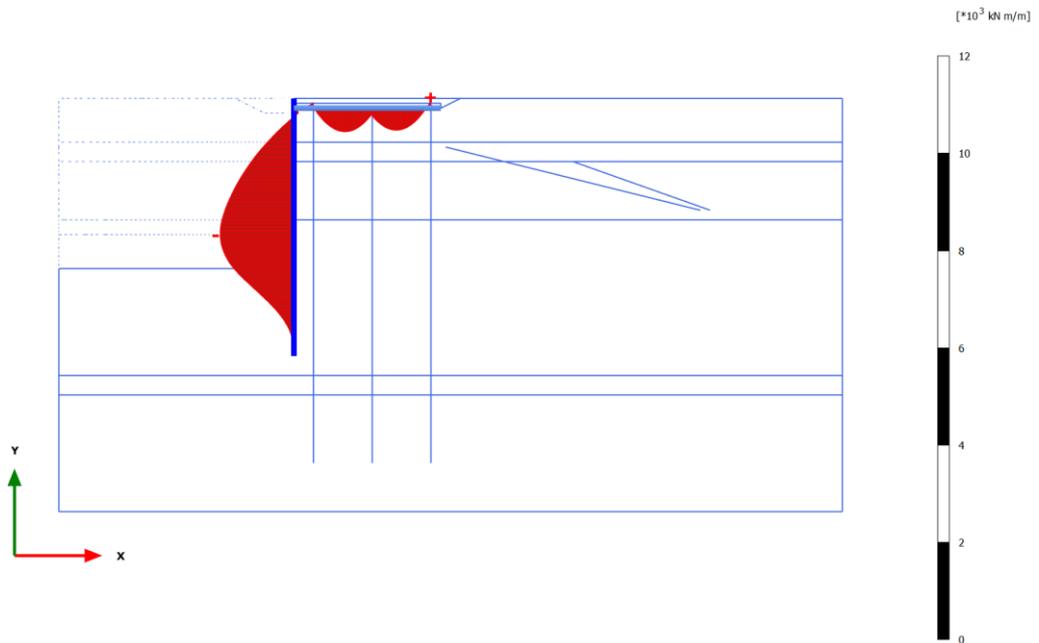


Bending moments M (scaled up 5,00*10⁻³ times)

Maximum value = 64,82 kN m/m (Element 5 at Node 4102)

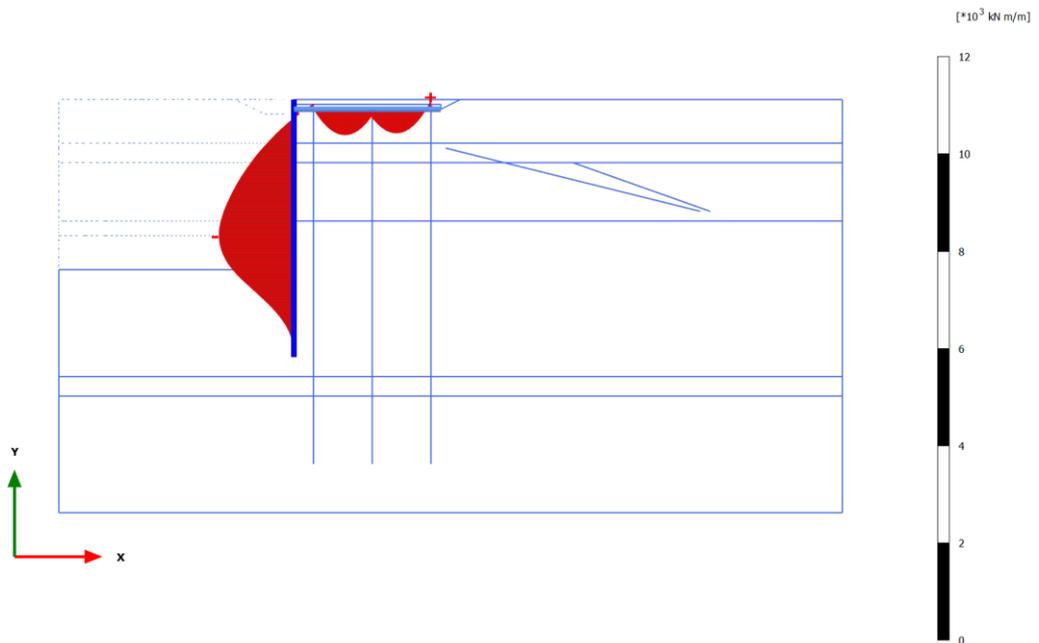
Minimum value = -1435 kN m/m (Element 31 at Node 2780)

9.3 SLE $q=60\text{kPa}$ $b=40\text{kN/m}$ [Phase_10] (10/72)



Bending moments M (scaled up $5,00 \cdot 10^{-3}$ times)
 Maximum value = 153,4 kN m/m (Element 21 at Node 8514)
 Minimum value = -1508 kN m/m (Element 32 at Node 2780)

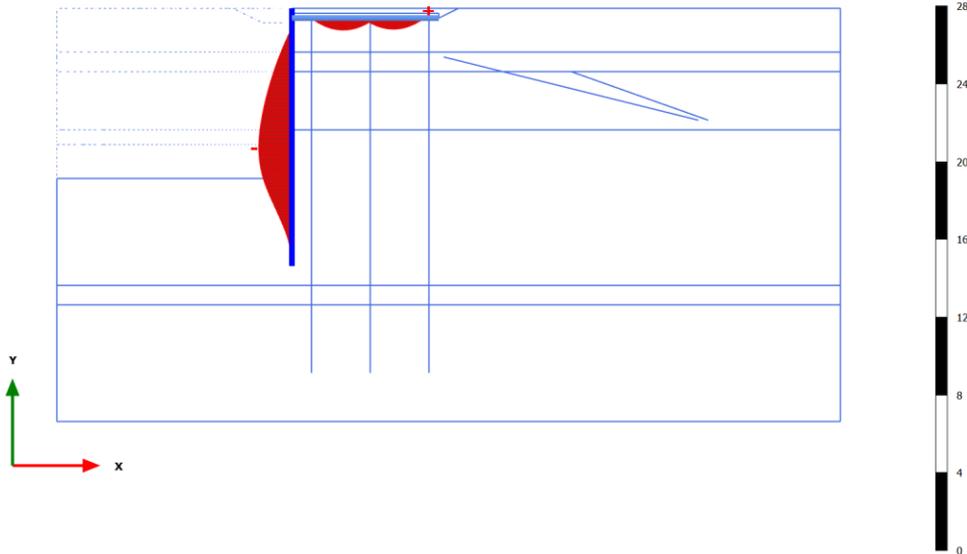
9.4 SLU11 $q=69\text{kPa}$ $b=46\text{kN/m}$ [Phase_11] (11/79)



Bending moments M (scaled up $5,00 \cdot 10^{-3}$ times)
 Maximum value = 171,7 kN m/m (Element 21 at Node 8514)
 Minimum value = -1526 kN m/m (Element 32 at Node 2780)

9.5 SLU12 [Phase_13] (13/124)

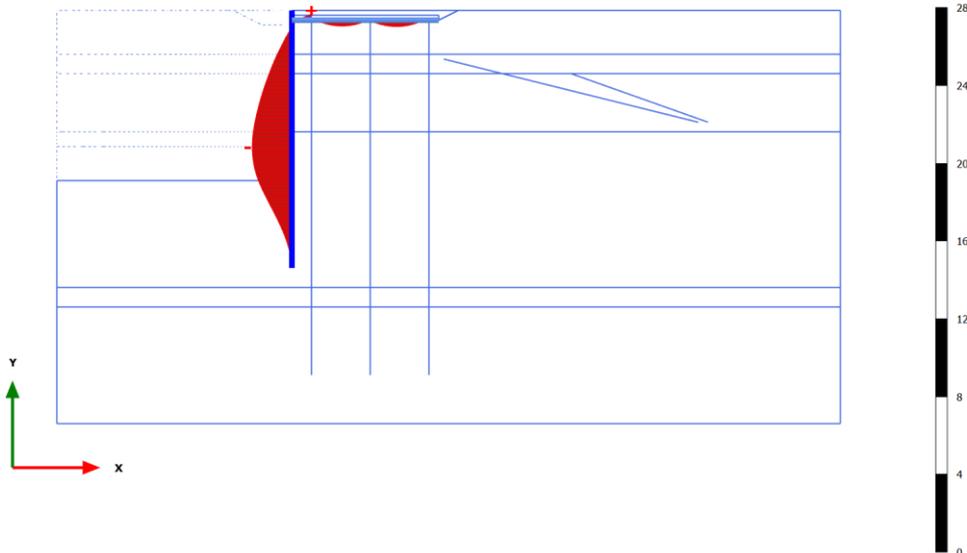
[*10³ kN m/m]



Bending moments M (scaled up $2,00 \cdot 10^{-3}$ times)
Maximum value = 175,6 kN m/m (Element 21 at Node 8514)
Minimum value = -1693 kN m/m (Element 32 at Node 2729)

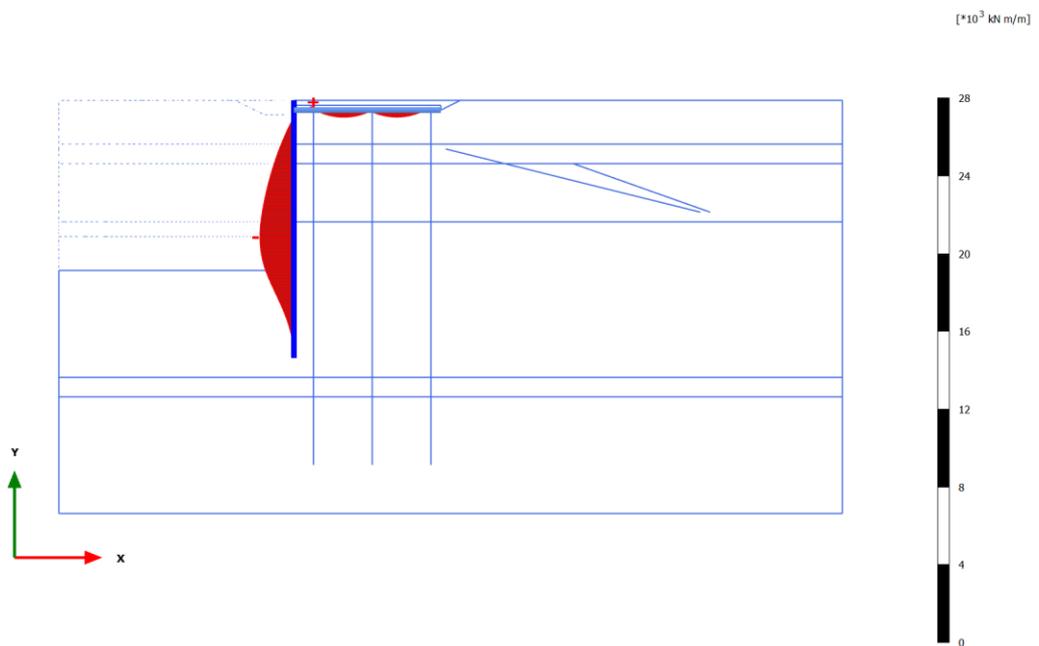
9.6 SLV [Phase_15] (17/157)

[*10³ kN m/m]



Bending moments M (scaled up $2,00 \cdot 10^{-3}$ times)
Maximum value = 317,7 kN m/m (Element 5 at Node 4102)
Minimum value = -2025 kN m/m (Element 32 at Node 2780)

9.7 SLD [Phase_17] (18/172)



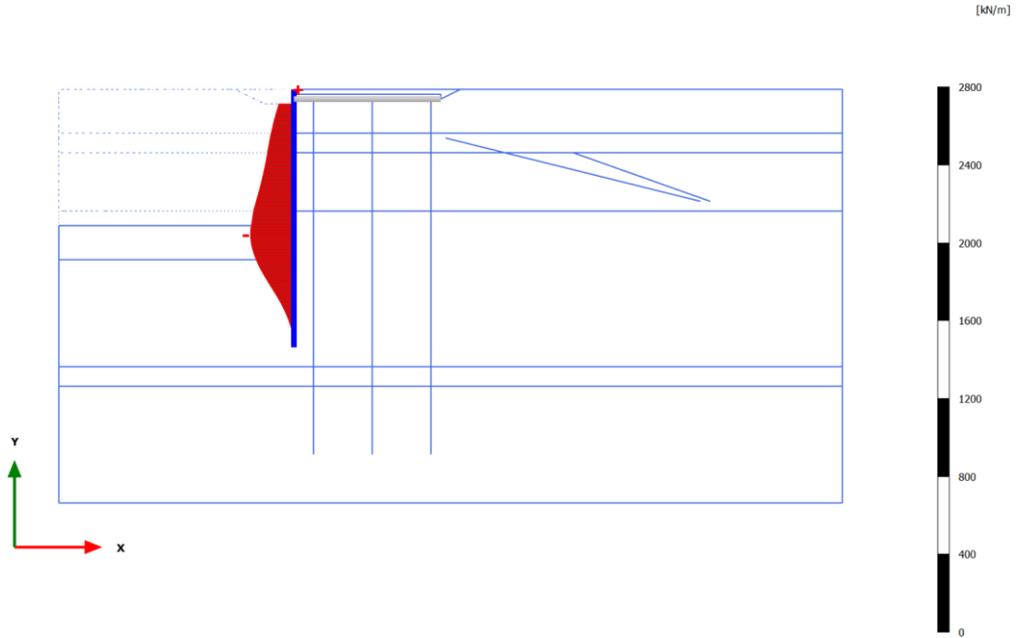
Bending moments M (scaled up $2,00 \cdot 10^{-3}$ times)

Maximum value = 214,4 kN m/m (Element 5 at Node 4102)

Minimum value = -1737 kN m/m (Element 31 at Node 2780)

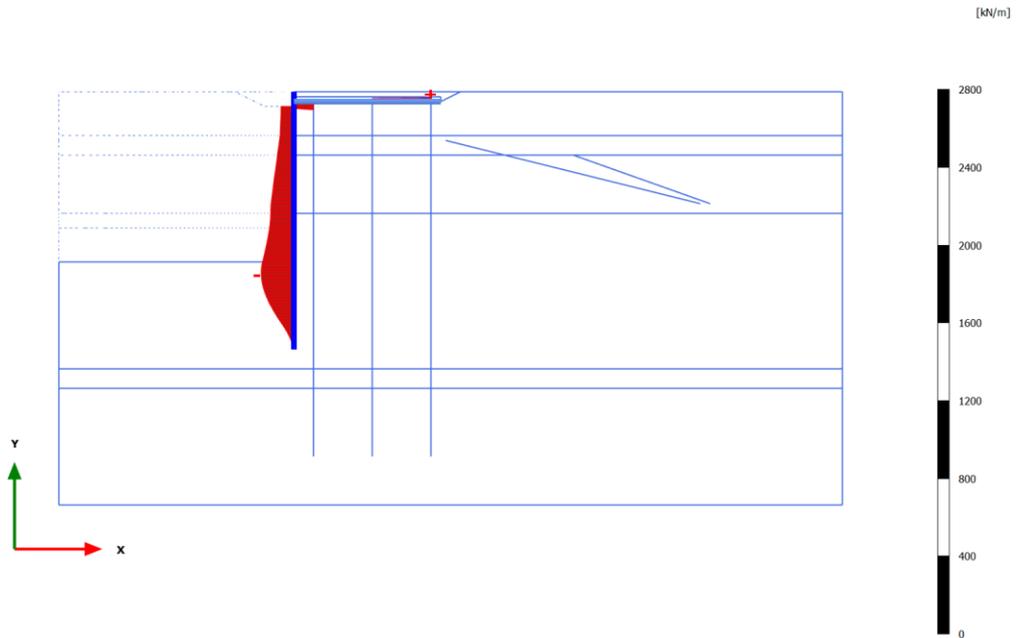
10 Axial forces N

10.1 Escavo -11,50 m [Phase_4] (4/21)



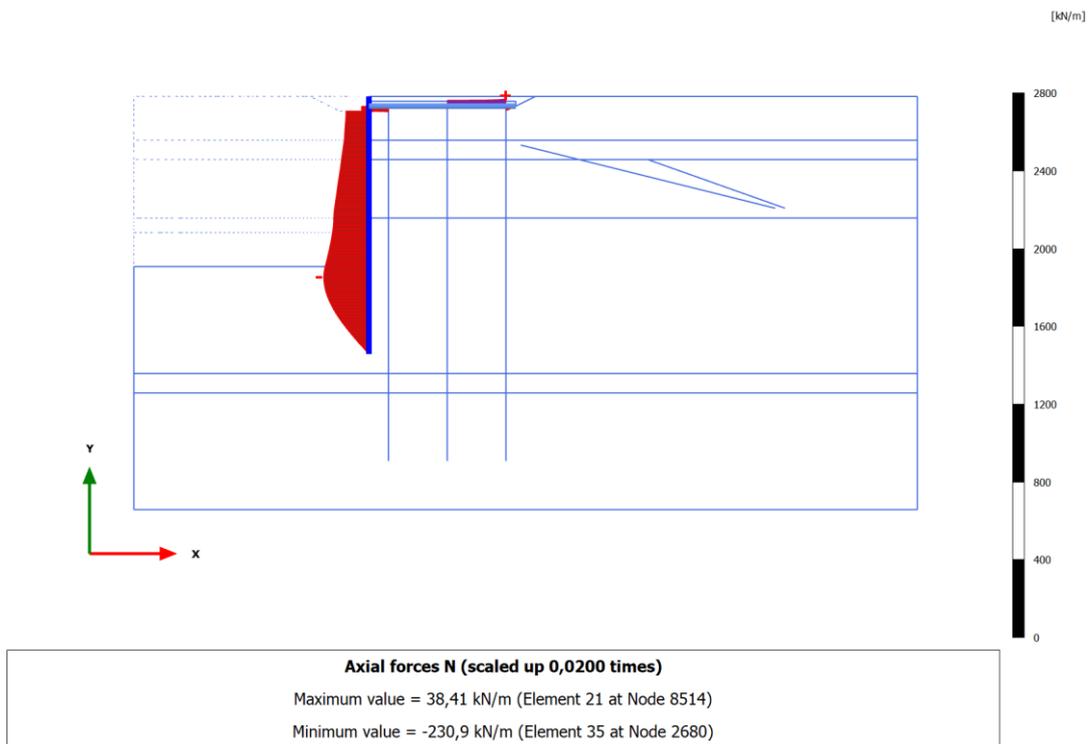
Axial forces N (scaled up 0,0200 times)
Maximum value = $8,748 \cdot 10^{-3}$ kN/m (Element 1 at Node 2844)
Minimum value = -221,6 kN/m (Element 32 at Node 2731)

10.2 Escavo -15,0m [Phase_9] (9/62)

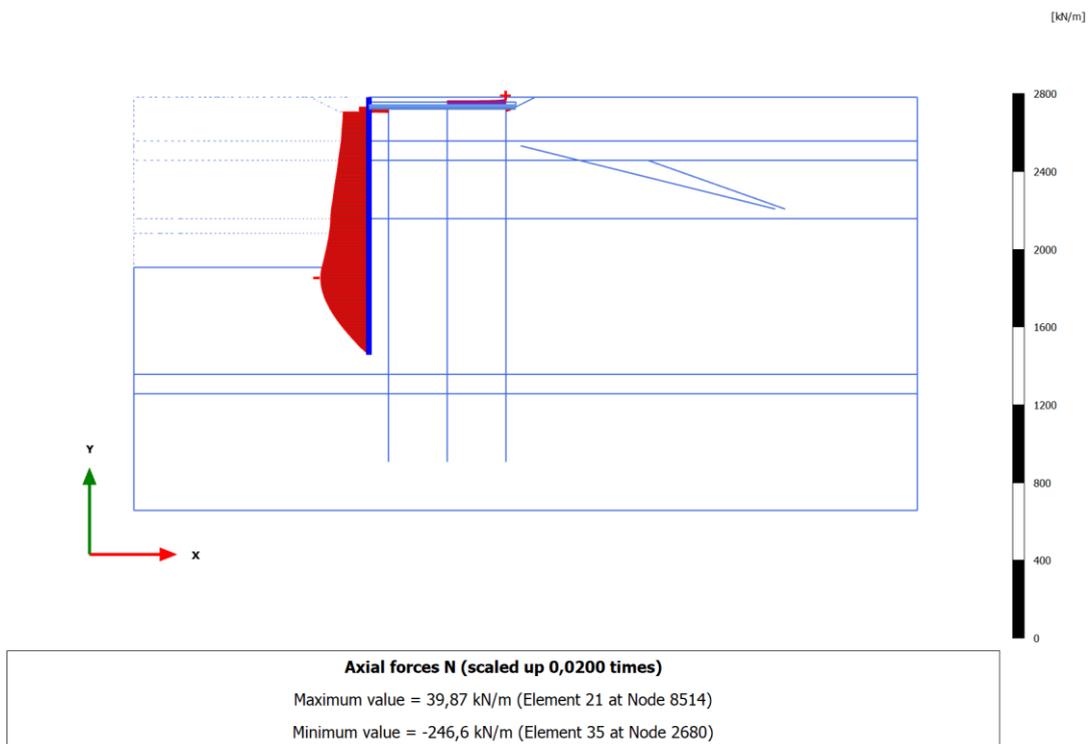


Axial forces N (scaled up 0,0200 times)
Maximum value = 19,75 kN/m (Element 21 at Node 8514)
Minimum value = -167,1 kN/m (Element 35 at Node 2681)

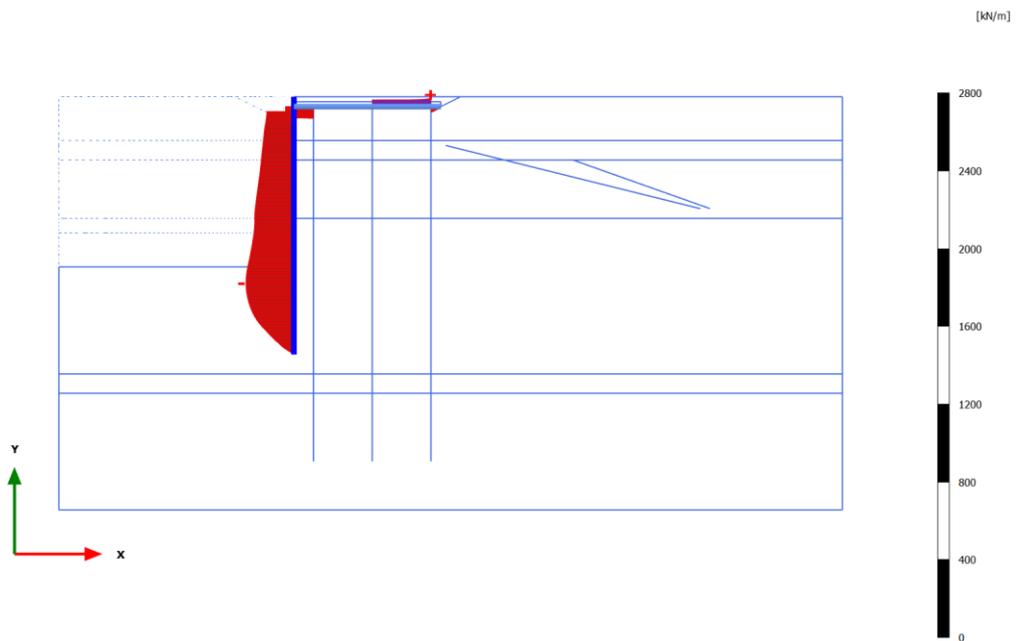
10.3 SLE $q=60\text{kPa}$ $b=40\text{kN/m}$ [Phase_10] (10/72)



10.4 SLU11 $q=69\text{kPa}$ $b=46\text{kN/m}$ [Phase_11] (11/79)

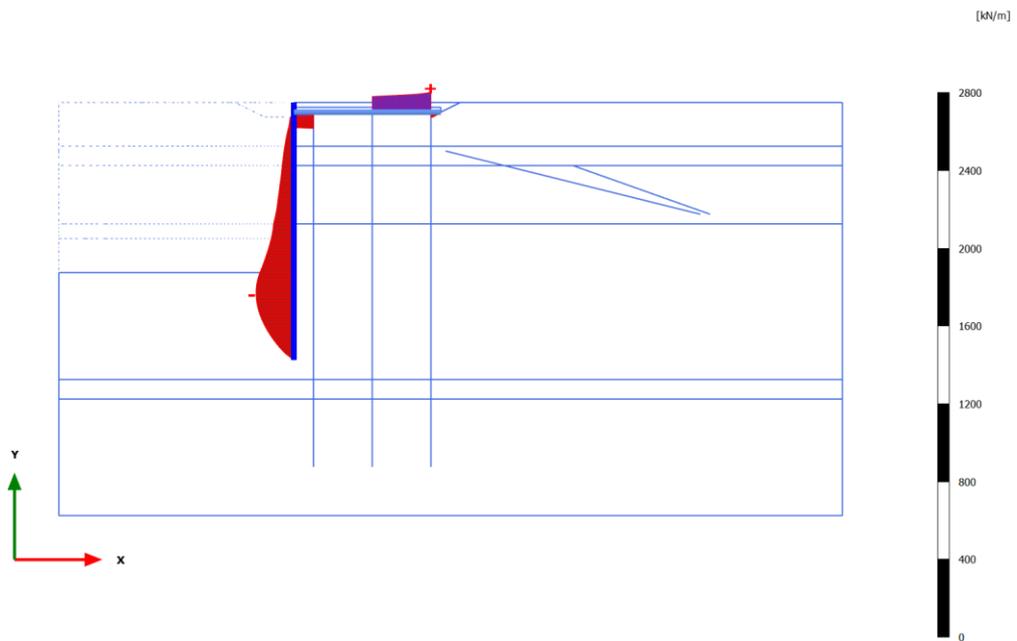


10.5 SLU12 [Phase_13] (13/124)



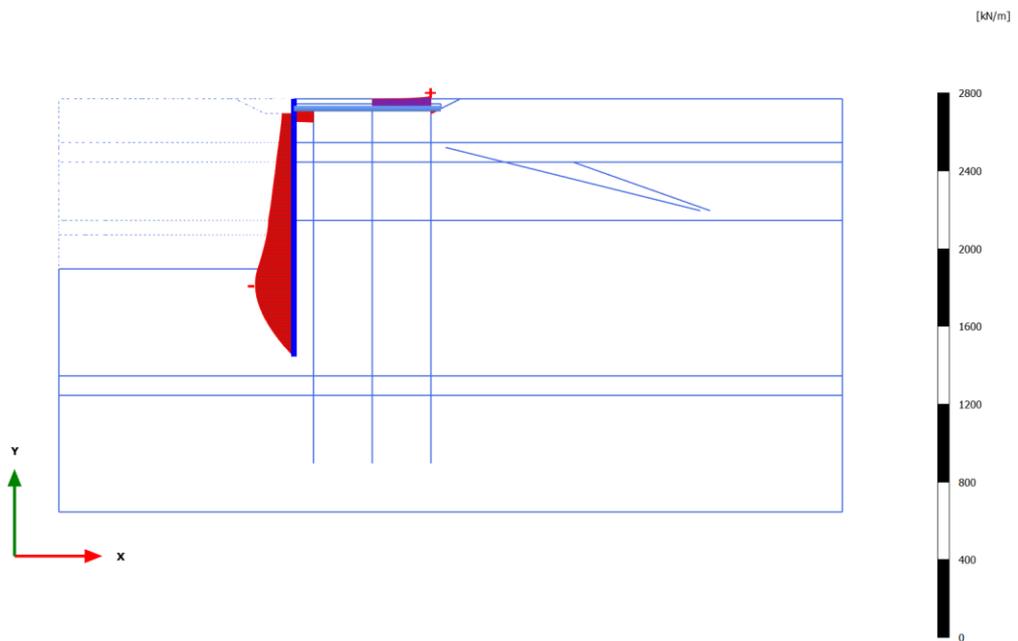
Axial forces N (scaled up 0,0200 times)
Maximum value = 42,50 kN/m (Element 21 at Node 8514)
Minimum value = -245,0 kN/m (Element 36 at Node 2565)

10.6 SLV [Phase_15] (17/157)



Axial forces N (scaled up 0,0200 times)
Maximum value = 103,8 kN/m (Element 21 at Node 8514)
Minimum value = -193,4 kN/m (Element 36 at Node 2567)

10.7 SLD [Phase_17] (18/172)



Axial forces N (scaled up 0,0200 times)

Maximum value = 63,73 kN/m (Element 21 at Node 8514)

Minimum value = -197,0 kN/m (Element 36 at Node 2565)

12 Table of node-to-node anchors

12.1 Escavo -11,50 m [Phase_4] (4/21)

Structural element	Node	Local number	X [m]	Y [m]	N [kN]	N _{min} [kN]	N _{max} [kN]
NodeToNodeAnchor\1_1	3201	1	24,000	1,000	289,630	0,000	289,630
Element 1-1 (Node-to-node anchor)	9556	2	39,500	-2,500	289,630	0,000	289,630

12.2 Escavo -15,0m [Phase_9] (9/62)

Structural element	Node [10 ³]	Local number	X [m]	Y [m]	N [kN]	N _{min} [kN]	N _{max} [kN]
NodeToNodeAnchor\1_1	3201	1	24,000	1,000	299,783	0,000	299,783
Element 1-1 (Node-to-node anchor)	9556	2	39,500	-2,500	299,783	0,000	299,783
NodeToNodeAnchor\3_1	8514	1	38,000	1,500	35,602	-1,058	35,602
Element 2-2 (Node-to-node anchor)	13992	2	52,500	-4,000	35,602	-1,058	35,602

12.3 SLE q=60kPa b=40kN/m [Phase_10] (10/72)

Structural element	Node [10 ³]	Local number	X [m]	Y [m]	N [kN]	N _{min} [kN]	N _{max} [kN]
NodeToNodeAnchor\1_1	3201	1	24,000	1,000	364,633	0,000	364,633
Element 1-1 (Node-to-node anchor)	9556	2	39,500	-2,500	364,633	0,000	364,633
NodeToNodeAnchor\3_1	8514	1	38,000	1,500	93,478	-1,058	93,478
Element 2-2 (Node-to-node anchor)	13992	2	52,500	-4,000	93,478	-1,058	93,478

12.4 SLU11 q=69kPa b=46kN/m [Phase_11] (11/79)

Structural element	Node [10 ³]	Local number	X [m]	Y [m]	N [kN]	N _{min} [kN]	N _{max} [kN]
NodeToNodeAnchor\1_1	3201	1	24,000	1,000	377,471	0,000	377,471
Element 1-1 (Node-to-node anchor)	9556	2	39,500	-2,500	377,471	0,000	377,471
NodeToNodeAnchor\3_1	8514	1	38,000	1,500	103,826	-1,058	103,826
Element 2-2 (Node-to-node anchor)	13992	2	52,500	-4,000	103,826	-1,058	103,826

12.5 SLU12 [Phase_13] (13/124)

Structural element	Node [10 ³]	Local number	X [m]	Y [m]	N [kN]	N _{min} [kN]	N _{max} [kN]
NodeToNodeAnchor\1_1	3201	1	24,000	1,000	431,665	0,000	431,665
Element 1-1 (Node-to-node anchor)	9556	2	39,500	-2,500	431,665	0,000	431,665
NodeToNodeAnchor\3_1	8514	1	38,000	1,500	141,060	-1,058	141,060
Element 2-2 (Node-to-node anchor)	13992	2	52,500	-4,000	141,060	-1,058	141,060

12.6 SLV [Phase_15] (17/157)

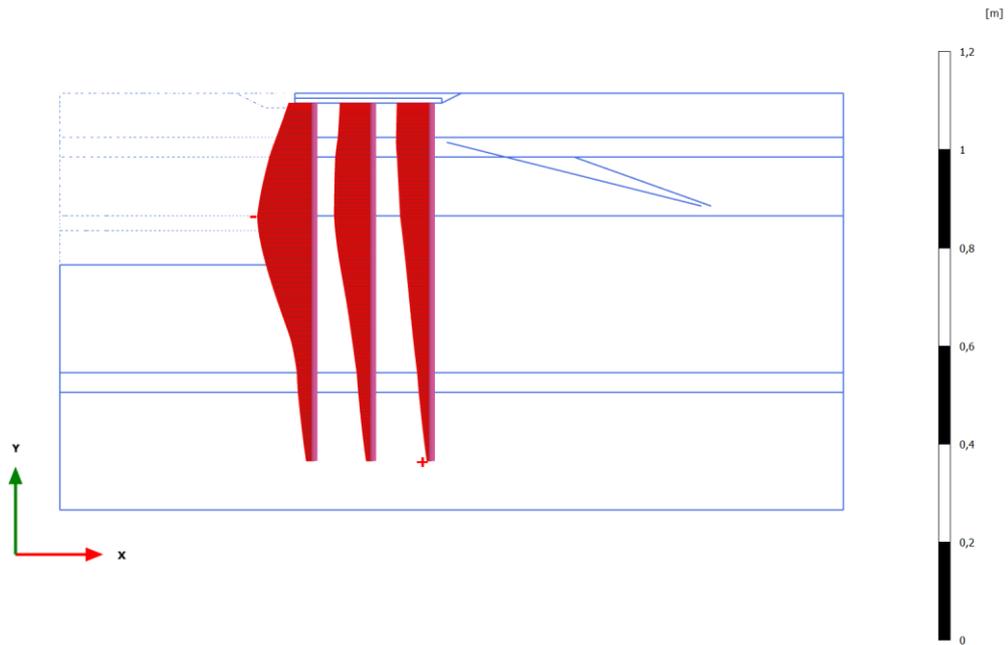
Structural element	Node [10 ³]	Local number	X [m]	Y [m]	N [kN]	N _{min} [kN]	N _{max} [kN]
NodeToNodeAnchor\1_1	3201	1	24,000	1,000	437,663	0,000	437,663
Element 1-1 (Node-to-node anchor)	9556	2	39,500	-2,500	437,663	0,000	437,663
NodeToNodeAnchor\3_1	8514	1	38,000	1,500	209,016	-1,058	209,016
Element 2-2 (Node-to-node anchor)	13992	2	52,500	-4,000	209,016	-1,058	209,016

12.7 SLD [Phase_17] (18/172)

Structural element	Node [10 ³]	Local number	X [m]	Y [m]	N [kN]	N _{min} [kN]	N _{max} [kN]
NodeToNodeAnchor\1_1	3201	1	24,000	1,000	389,947	0,000	389,947
Element 1-1 (Node-to-node anchor)	9556	2	39,500	-2,500	389,947	0,000	389,947
NodeToNodeAnchor\3_1	8514	1	38,000	1,500	142,459	-1,058	142,459
Element 2-2 (Node-to-node anchor)	13992	2	52,500	-4,000	142,459	-1,058	142,459

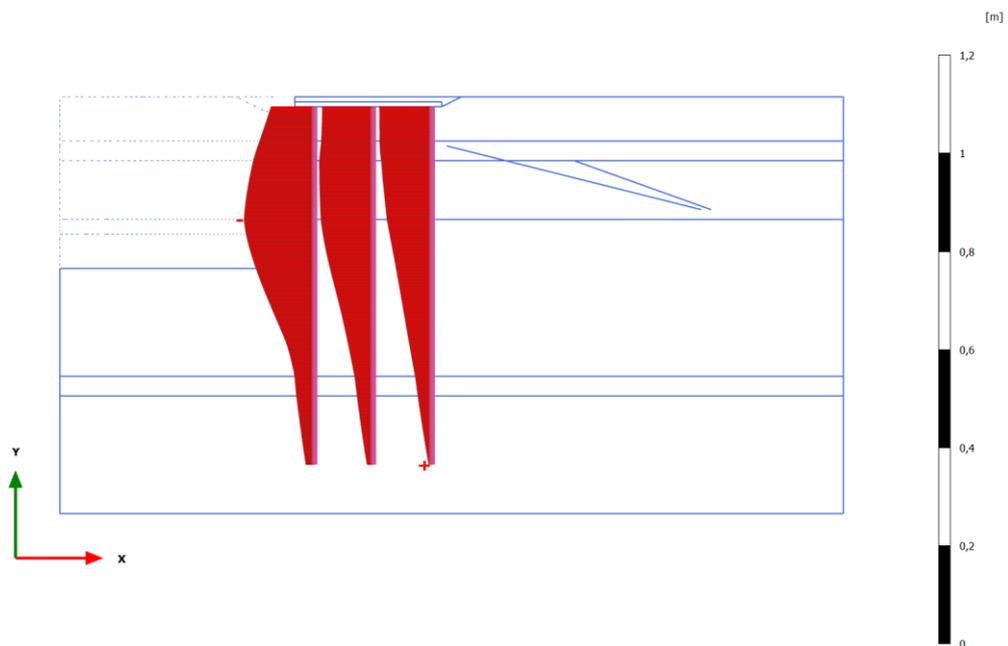
13 Total displacements u_x - Embedded beam row

13.1 Escavo -15,0m [Phase_9] (9/62)



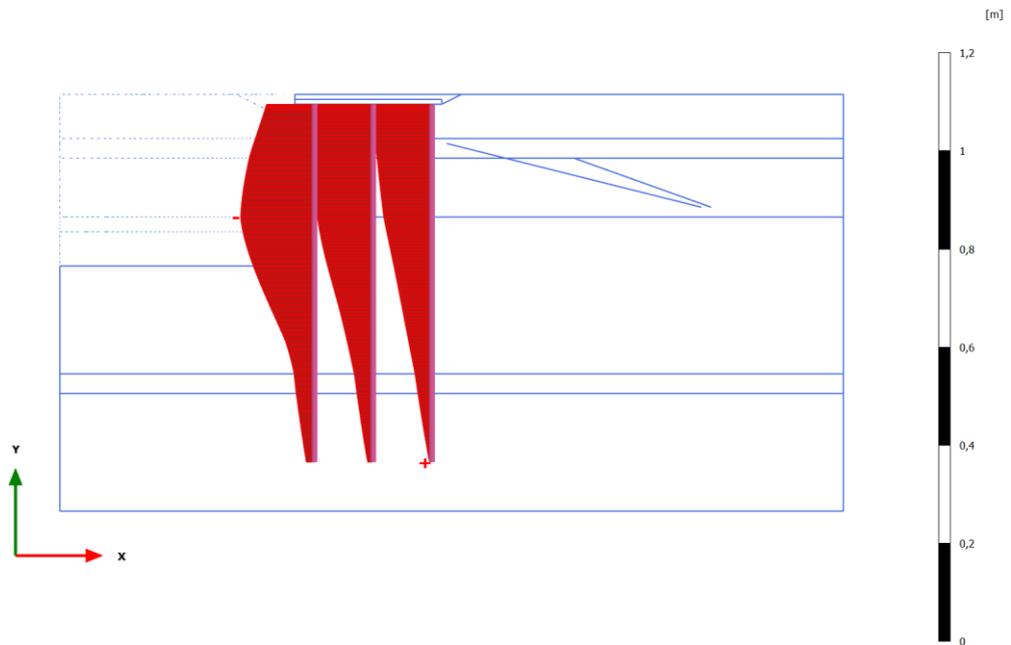
Total displacements u_x (scaled up 50,0 times)
Maximum value = -0,01022 m (Element 69 at Node 15121)
Minimum value = -0,1163 m (Element 6 at Node 14867)

13.2 SLE $q=60\text{kPa}$ $b=40\text{kN/m}$ [Phase_10] (10/72)



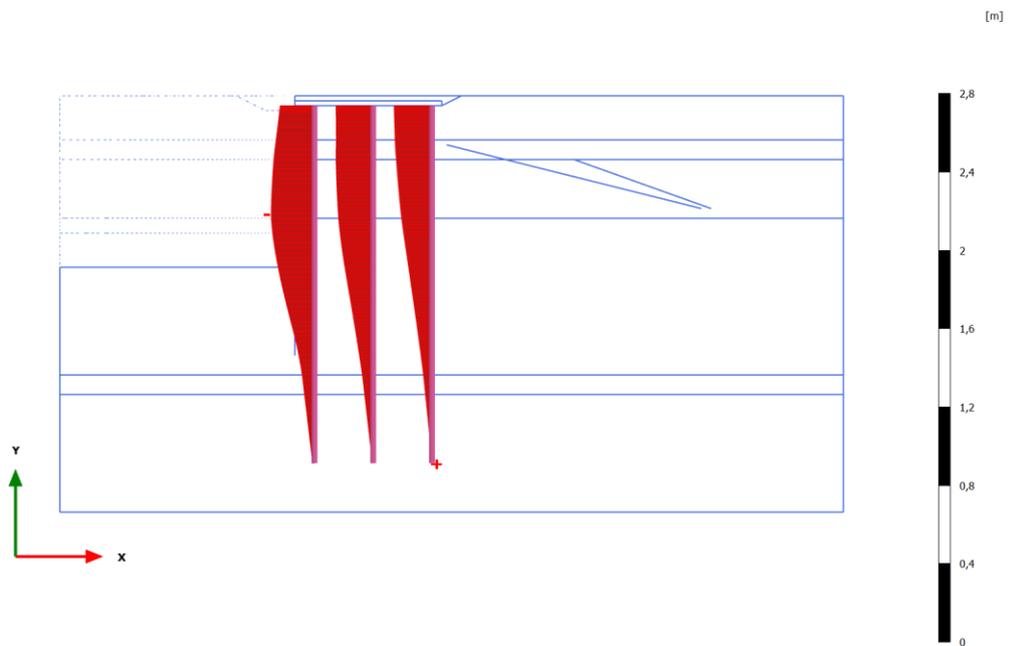
Total displacements u_x (scaled up 50,0 times)
Maximum value = $-6,369 \cdot 10^{-3}$ m (Element 69 at Node 15121)
Minimum value = -0,1435 m (Element 6 at Node 14867)

13.3 SLU11 q=69kPa b=46kN/m [Phase_11] (11/79)



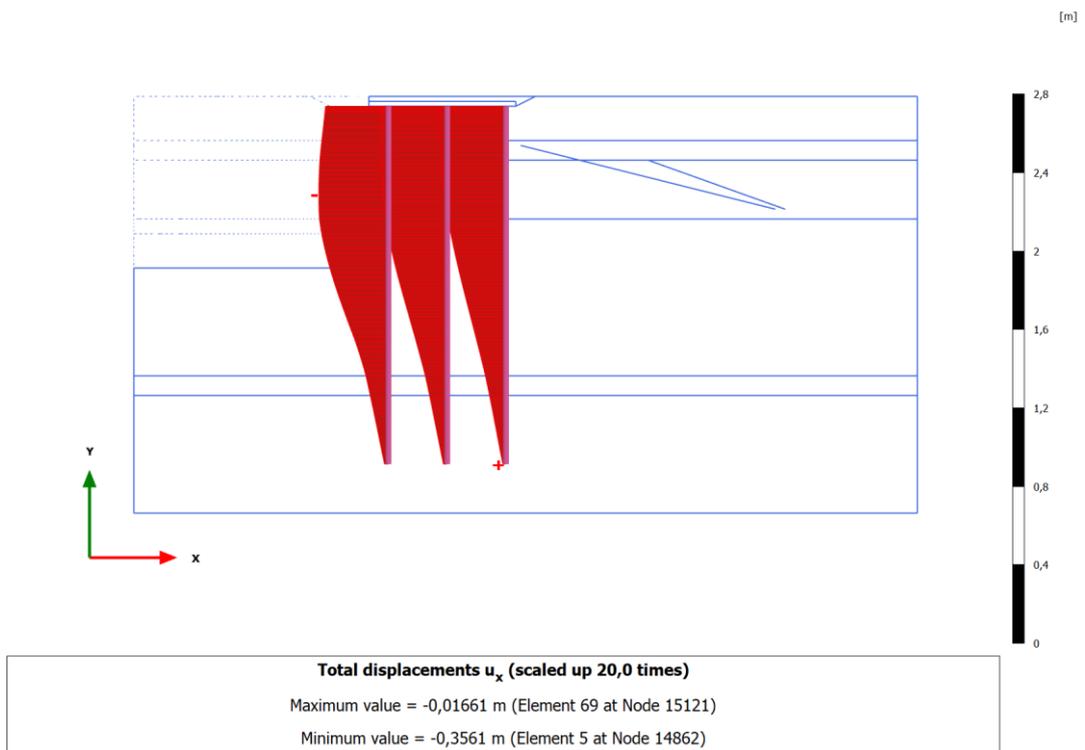
Total displacements u_x (scaled up 50,0 times)
Maximum value = $-5,336 \cdot 10^{-3}$ m (Element 69 at Node 15121)
Minimum value = $-0,1510$ m (Element 6 at Node 14867)

13.4 SLU12 [Phase_13] (13/124)

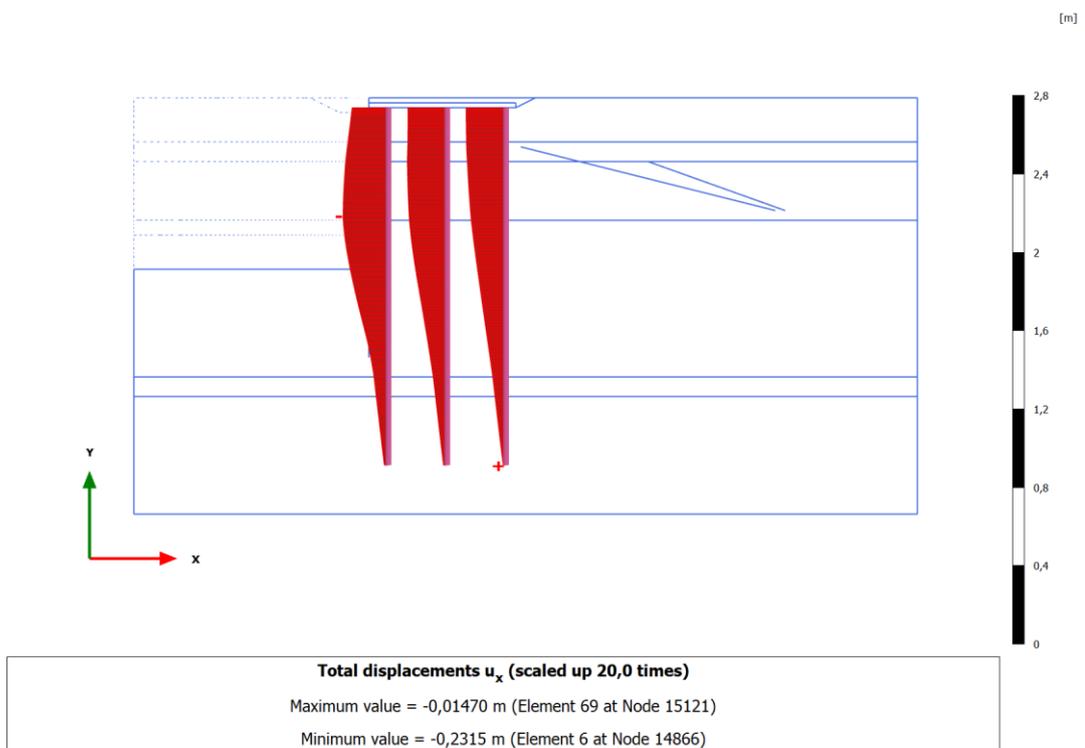


Total displacements u_x (scaled up 20,0 times)
Maximum value = $2,199 \cdot 10^{-3}$ m (Element 69 at Node 15121)
Minimum value = $-0,2203$ m (Element 6 at Node 14866)

13.5 SLV [Phase_15] (17/157)



13.6 SLD [Phase_17] (18/172)



14 Table of total displacements - Embedded beam row

14.1 Escavo -15,0m [Phase_9] (9/62)

Structural element	Node [10 ³]	Local number	X [m]	Y [m]	u _x [10 ⁻³ m]	u _y [10 ⁻³ m]	u [10 ⁻³ m]
EmbeddedBeamRow_1_1	14843	1	26,000	1,500	-52,533	9,151	53,324
Element 1-1 (Embedded beam row)	14844	2	26,000	1,325	-53,702	8,370	54,350
(palø1000/3.58)	14845	3	26,000	1,150	-54,885	7,686	55,420
	14846	4	26,000	0,975	-56,070	7,101	56,518
	14847	5	26,000	0,800	-57,261	6,613	57,641
EmbeddedBeamRow_1_1	14847	1	26,000	0,800	-57,261	6,613	57,641
Element 1-2 (Embedded beam row)	14848	2	26,000	0,100	-62,054	5,405	62,289
(palø1000/3.58)	14849	3	26,000	-0,600	-67,107	4,438	67,254
	14850	4	26,000	-1,300	-72,277	3,652	72,369
	14851	5	26,000	-2,000	-77,464	2,923	77,519
EmbeddedBeamRow_1_1	14851	1	26,000	-2,000	-77,464	2,923	77,519
Element 1-3 (Embedded beam row)	14852	2	26,000	-2,500	-81,270	0,300	81,271
(palø1000/3.58)	14853	3	26,000	-3,000	-85,001	-2,402	85,035
	14854	4	26,000	-3,500	-88,532	-5,108	88,679
	14855	5	26,000	-4,000	-91,740	-7,766	92,068
EmbeddedBeamRow_1_1	14855	1	26,000	-4,000	-91,740	-7,766	92,068
Element 1-4 (Embedded beam row)	14856	2	26,000	-4,500	-94,394	-6,888	94,645
(palø1000/3.58)	14857	3	26,000	-5,000	-96,945	-5,733	97,114
	14858	4	26,000	-5,500	-99,435	-4,391	99,532
	14859	5	26,000	-6,000	-101,848	-2,884	101,888
EmbeddedBeamRow_1_1	14859	1	26,000	-6,000	-101,848	-2,884	101,888
Element 1-5 (Embedded beam row)	14860	2	26,000	-6,500	-104,163	-1,252	104,171
(palø1000/3.58)	14861	3	26,000	-7,000	-106,345	0,472	106,346
	14862	4	26,000	-7,500	-108,388	2,281	108,412
	14863	5	26,000	-8,000	-110,279	4,159	110,357
EmbeddedBeamRow_1_1	14863	1	26,000	-8,000	-110,279	4,159	110,357
Element 1-6 (Embedded beam row)	14864	2	26,000	-8,500	-112,057	6,065	112,221
(palø1000/3.58)	14865	3	26,000	-9,000	-113,708	7,973	113,987
	14866	4	26,000	-9,500	-115,163	9,882	115,586
	14867	5	26,000	-10,000	-116,341	11,770	116,935
EmbeddedBeamRow_1_1	14867	1	26,000	-10,000	-116,341	11,770	116,935
Element 1-7 (Embedded beam row)	14868	2	26,000	-10,500	-115,949	11,985	116,567
(palø1000/3.58)	14869	3	26,000	-11,000	-115,149	12,072	115,780
	14870	4	26,000	-11,500	-113,979	12,041	114,614
	14871	5	26,000	-12,000	-112,458	11,904	113,087
EmbeddedBeamRow_1_1	14871	1	26,000	-12,000	-112,458	11,904	113,087
Element 1-8 (Embedded beam row)	14872	2	26,000	-12,500	-110,642	11,707	111,260
(palø1000/3.58)	14873	3	26,000	-13,000	-108,573	11,476	109,178
	14874	4	26,000	-13,500	-106,307	11,264	106,902
	14875	5	26,000	-14,000	-103,883	11,107	104,475
EmbeddedBeamRow_1_1	14875	1	26,000	-14,000	-103,883	11,107	104,475
Element 1-9 (Embedded beam row)	14876	2	26,000	-14,500	-101,313	10,998	101,908
(palø1000/3.58)	14877	3	26,000	-15,000	-98,610	10,930	99,214
	14878	4	26,000	-15,500	-95,777	10,882	96,393
	14879	5	26,000	-16,000	-92,822	10,836	93,453
EmbeddedBeamRow_1_1	14879	1	26,000	-16,000	-92,822	10,836	93,453
Element 1-10 (Embedded beam row)	14880	2	26,000	-16,500	-89,755	10,781	90,400
(palø1000/3.58)	14881	3	26,000	-17,000	-86,589	10,709	87,249
	14882	4	26,000	-17,500	-83,336	10,616	84,010
	14883	5	26,000	-18,000	-80,010	10,498	80,696
EmbeddedBeamRow_1_1	14883	1	26,000	-18,000	-80,010	10,498	80,696
Element 1-11 (Embedded beam row)	14884	2	26,000	-18,500	-76,623	10,358	77,320
(palø1000/3.58)	14885	3	26,000	-19,000	-73,188	10,195	73,895
	14886	4	26,000	-19,500	-69,718	10,015	70,433
	14887	5	26,000	-20,000	-66,221	9,822	66,946
EmbeddedBeamRow_1_1	14887	1	26,000	-20,000	-66,221	9,822	66,946
Element 1-12 (Embedded beam row)	14888	2	26,000	-20,500	-62,710	9,616	63,443
(palø1000/3.58)	14889	3	26,000	-21,000	-59,180	9,415	59,924
	14890	4	26,000	-21,500	-55,642	9,210	56,399
	14891	5	26,000	-22,000	-52,165	8,953	52,928
EmbeddedBeamRow_1_1	14891	1	26,000	-22,000	-52,165	8,953	52,928
Element 1-13 (Embedded beam row)	14892	2	26,000	-22,500	-48,923	8,541	49,663
(palø1000/3.58)	14893	3	26,000	-23,000	-46,208	7,791	46,860
	14894	4	26,000	-23,500	-44,005	6,790	44,526
	14895	5	26,000	-24,000	-41,943	5,815	42,344
EmbeddedBeamRow_1_1	14895	1	26,000	-24,000	-41,943	5,815	42,344
Element 1-14 (Embedded beam row)	14896	2	26,000	-24,500	-40,129	4,829	40,418
(palø1000/3.58)	14897	3	26,000	-25,000	-38,374	3,907	38,572
	14898	4	26,000	-25,500	-36,788	3,001	36,910
	14899	5	26,000	-26,000	-35,478	2,064	35,538
EmbeddedBeamRow_1_1	14899	1	26,000	-26,000	-35,478	2,064	35,538
Element 1-15 (Embedded beam row)	14900	2	26,000	-26,500	-35,065	1,506	35,097
(palø1000/3.58)	14901	3	26,000	-27,000	-34,570	0,924	34,582
	14902	4	26,000	-27,500	-34,005	0,287	34,006
	14903	5	26,000	-28,000	-33,403	-0,410	33,406
EmbeddedBeamRow_1_1	14903	1	26,000	-28,000	-33,403	-0,410	33,406
Element 1-16 (Embedded beam row)	14904	2	26,000	-28,457	-32,502	-1,259	32,527
(palø1000/3.58)	14905	3	26,000	-28,914	-31,569	-2,152	31,643
	14906	4	26,000	-29,371	-30,614	-3,077	30,768
	14907	5	26,000	-29,828	-29,637	-4,029	29,910
EmbeddedBeamRow_1_1	14907	1	26,000	-29,828	-29,637	-4,029	29,910
Element 1-17 (Embedded beam row)	14908	2	26,000	-31,121	-26,755	-6,827	27,612
(palø1000/3.58)	14909	3	26,000	-32,414	-23,659	-9,739	25,585
	14910	4	26,000	-33,707	-20,290	-12,727	23,951
	14911	5	26,000	-35,000	-16,592	-15,747	22,875

EmbeddedBeamRow\ 2_1	14912	1	32,000	1,500	-67,879	-9,957	68,605
Element 2-18 (Embedded beam row)	14913	2	32,000	1,290	-68,039	-10,402	68,829
(palø1000/3.58)	14914	3	32,000	1,079	-68,179	-10,765	69,024
	14915	4	32,000	0,869	-68,325	-11,065	69,215
	14916	5	32,000	0,658	-68,500	-11,346	69,433
EmbeddedBeamRow\ 2_1	14916	1	32,000	0,658	-68,500	-11,346	69,433
Element 2-19 (Embedded beam row)	14917	2	32,000	0,375	-68,775	-11,718	69,766
(palø1000/3.58)	14918	3	32,000	0,092	-69,087	-12,081	70,135
	14919	4	32,000	-0,192	-69,427	-12,434	70,532
	14920	5	32,000	-0,475	-69,786	-12,777	70,946
EmbeddedBeamRow\ 2_1	14920	1	32,000	-0,475	-69,786	-12,777	70,946
Element 2-20 (Embedded beam row)	14921	2	32,000	-0,856	-70,284	-13,223	71,517
(palø1000/3.58)	14922	3	32,000	-1,237	-70,786	-13,645	72,089
	14923	4	32,000	-1,619	-71,267	-14,060	72,641
	14924	5	32,000	-2,000	-71,743	-14,556	73,205
EmbeddedBeamRow\ 2_1	14924	1	32,000	-2,000	-71,743	-14,556	73,205
Element 2-21 (Embedded beam row)	14925	2	32,000	-2,500	-73,250	-16,919	75,179
(palø1000/3.58)	14926	3	32,000	-3,000	-74,659	-19,310	77,116
	14927	4	32,000	-3,500	-75,912	-21,645	78,938
	14928	5	32,000	-4,000	-76,996	-23,864	80,609
EmbeddedBeamRow\ 2_1	14928	1	32,000	-4,000	-76,996	-23,864	80,609
Element 2-22 (Embedded beam row)	14929	2	32,000	-4,375	-77,273	-23,601	80,797
(palø1000/3.58)	14930	3	32,000	-4,750	-77,536	-23,211	80,935
	14931	4	32,000	-5,125	-77,785	-22,751	81,044
	14932	5	32,000	-5,500	-78,018	-22,232	81,124
EmbeddedBeamRow\ 2_1	14932	1	32,000	-5,500	-78,018	-22,232	81,124
Element 2-23 (Embedded beam row)	14933	2	32,000	-5,875	-78,237	-21,654	81,179
(palø1000/3.58)	14934	3	32,000	-6,250	-78,439	-21,022	81,207
	14935	4	32,000	-6,625	-78,622	-20,339	81,211
	14936	5	32,000	-7,000	-78,788	-19,608	81,191
EmbeddedBeamRow\ 2_1	14936	1	32,000	-7,000	-78,788	-19,608	81,191
Element 2-24 (Embedded beam row)	14937	2	32,000	-7,375	-78,937	-18,832	81,152
(palø1000/3.58)	14938	3	32,000	-7,750	-79,069	-18,012	81,094
	14939	4	32,000	-8,125	-79,183	-17,153	81,020
	14940	5	32,000	-8,500	-79,280	-16,257	80,929
EmbeddedBeamRow\ 2_1	14940	1	32,000	-8,500	-79,280	-16,257	80,929
Element 2-25 (Embedded beam row)	14941	2	32,000	-8,875	-79,359	-15,328	80,825
(palø1000/3.58)	14942	3	32,000	-9,250	-79,419	-14,367	80,708
	14943	4	32,000	-9,625	-79,461	-13,376	80,579
	14944	5	32,000	-10,000	-79,480	-12,371	80,437
EmbeddedBeamRow\ 2_1	14944	1	32,000	-10,000	-79,480	-12,371	80,437
Element 2-26 (Embedded beam row)	14945	2	32,000	-10,333	-79,073	-11,910	79,965
(palø1000/3.58)	14946	3	32,000	-10,667	-78,594	-11,441	79,423
	14947	4	32,000	-11,000	-78,054	-10,954	78,819
	14948	5	32,000	-11,333	-77,451	-10,452	78,153
EmbeddedBeamRow\ 2_1	14948	1	32,000	-11,333	-77,451	-10,452	78,153
Element 2-27 (Embedded beam row)	14949	2	32,000	-11,667	-76,789	-9,937	77,430
(palø1000/3.58)	14950	3	32,000	-12,000	-76,071	-9,414	76,652
	14951	4	32,000	-12,333	-75,300	-8,887	75,822
	14952	5	32,000	-12,667	-74,477	-8,358	74,944
EmbeddedBeamRow\ 2_1	14952	1	32,000	-12,667	-74,477	-8,358	74,944
Element 2-28 (Embedded beam row)	14953	2	32,000	-13,000	-73,605	-7,832	74,021
(palø1000/3.58)	14954	3	32,000	-13,333	-72,688	-7,311	73,055
	14955	4	32,000	-13,667	-71,728	-6,798	72,050
	14956	5	32,000	-14,000	-70,728	-6,295	71,008
EmbeddedBeamRow\ 2_1	14956	1	32,000	-14,000	-70,728	-6,295	71,008
Element 2-29 (Embedded beam row)	14957	2	32,000	-14,333	-69,691	-5,805	69,932
(palø1000/3.58)	14958	3	32,000	-14,667	-68,620	-5,331	68,827
	14959	4	32,000	-15,000	-67,519	-4,875	67,695
	14960	5	32,000	-15,333	-66,392	-4,439	66,540
EmbeddedBeamRow\ 2_1	14960	1	32,000	-15,333	-66,392	-4,439	66,540
Element 2-30 (Embedded beam row)	14961	2	32,000	-15,667	-65,242	-4,029	65,366
(palø1000/3.58)	14962	3	32,000	-16,000	-64,072	-3,647	64,176
	14963	4	32,000	-16,333	-62,889	-3,297	62,975
	14964	5	32,000	-16,667	-61,696	-2,983	61,768
EmbeddedBeamRow\ 2_1	14964	1	32,000	-16,667	-61,696	-2,983	61,768
Element 2-31 (Embedded beam row)	14965	2	32,000	-17,000	-60,501	-2,709	60,561
(palø1000/3.58)	14966	3	32,000	-17,333	-59,307	-2,481	59,359
	14967	4	32,000	-17,667	-58,122	-2,301	58,168
	14968	5	32,000	-18,000	-56,951	-2,172	56,992
EmbeddedBeamRow\ 2_1	14968	1	32,000	-18,000	-56,951	-2,172	56,992
Element 2-32 (Embedded beam row)	14969	2	32,000	-18,333	-55,799	-2,098	55,838
(palø1000/3.58)	14970	3	32,000	-18,667	-54,668	-2,081	54,708
	14971	4	32,000	-19,000	-53,562	-2,119	53,604
	14972	5	32,000	-19,333	-52,483	-2,211	52,529
EmbeddedBeamRow\ 2_1	14972	1	32,000	-19,333	-52,483	-2,211	52,529
Element 2-33 (Embedded beam row)	14973	2	32,000	-19,667	-51,427	-2,356	51,481
(palø1000/3.58)	14974	3	32,000	-20,000	-50,394	-2,550	50,458
	14975	4	32,000	-20,333	-49,382	-2,790	49,461
	14976	5	32,000	-20,667	-48,389	-3,069	48,486
EmbeddedBeamRow\ 2_1	14976	1	32,000	-20,667	-48,389	-3,069	48,486
Element 2-34 (Embedded beam row)	14977	2	32,000	-21,000	-47,411	-3,386	47,532
(palø1000/3.58)	14978	3	32,000	-21,333	-46,445	-3,738	46,595
	14979	4	32,000	-21,667	-45,488	-4,119	45,674
	14980	5	32,000	-22,000	-44,538	-4,528	44,768
EmbeddedBeamRow\ 2_1	14980	1	32,000	-22,000	-44,538	-4,528	44,768
Element 2-35 (Embedded beam row)	14981	2	32,000	-22,333	-43,595	-4,959	43,876
(palø1000/3.58)	14982	3	32,000	-22,667	-42,655	-5,411	42,997
	14983	4	32,000	-23,000	-41,720	-5,881	42,132
	14984	5	32,000	-23,333	-40,786	-6,367	41,280
EmbeddedBeamRow\ 2_1	14984	1	32,000	-23,333	-40,786	-6,367	41,280

	14924	5	32,000	-2,000	-105,692	-50,131	116,978
EmbeddedBeamRow\ 2_1	14924	1	32,000	-2,000	-105,692	-50,131	116,978
Element 2-21 (Embedded beam row)	14925	2	32,000	-2,500	-106,891	-52,472	119,076
(palø1000/3.58)	14926	3	32,000	-3,000	-107,981	-54,841	121,109
	14927	4	32,000	-3,500	-108,904	-57,154	122,990
	14928	5	32,000	-4,000	-109,644	-59,352	124,678
EmbeddedBeamRow\ 2_1	14928	1	32,000	-4,000	-109,644	-59,352	124,678
Element 2-22 (Embedded beam row)	14929	2	32,000	-4,375	-109,657	-59,072	124,556
(palø1000/3.58)	14930	3	32,000	-4,750	-109,646	-58,665	124,353
	14931	4	32,000	-5,125	-109,613	-58,189	124,101
	14932	5	32,000	-5,500	-109,556	-57,654	123,800
EmbeddedBeamRow\ 2_1	14932	1	32,000	-5,500	-109,556	-57,654	123,800
Element 2-23 (Embedded beam row)	14933	2	32,000	-5,875	-109,475	-57,059	123,453
(palø1000/3.58)	14934	3	32,000	-6,250	-109,367	-56,410	123,058
	14935	4	32,000	-6,625	-109,231	-55,711	122,617
	14936	5	32,000	-7,000	-109,065	-54,964	122,132
EmbeddedBeamRow\ 2_1	14936	1	32,000	-7,000	-109,065	-54,964	122,132
Element 2-24 (Embedded beam row)	14937	2	32,000	-7,375	-108,871	-54,171	121,604
(palø1000/3.58)	14938	3	32,000	-7,750	-108,648	-53,335	121,033
	14939	4	32,000	-8,125	-108,396	-52,459	120,423
	14940	5	32,000	-8,500	-108,113	-51,547	119,772
EmbeddedBeamRow\ 2_1	14940	1	32,000	-8,500	-108,113	-51,547	119,772
Element 2-25 (Embedded beam row)	14941	2	32,000	-8,875	-107,799	-50,601	119,084
(palø1000/3.58)	14942	3	32,000	-9,250	-107,452	-49,623	118,357
	14943	4	32,000	-9,625	-107,075	-48,616	117,595
	14944	5	32,000	-10,000	-106,661	-47,593	116,797
EmbeddedBeamRow\ 2_1	14944	1	32,000	-10,000	-106,661	-47,593	116,797
Element 2-26 (Embedded beam row)	14945	2	32,000	-10,333	-105,857	-47,118	115,870
(palø1000/3.58)	14946	3	32,000	-10,667	-104,971	-46,634	114,864
	14947	4	32,000	-11,000	-104,013	-46,133	113,785
	14948	5	32,000	-11,333	-102,984	-45,615	112,634
EmbeddedBeamRow\ 2_1	14948	1	32,000	-11,333	-102,984	-45,615	112,634
Element 2-27 (Embedded beam row)	14949	2	32,000	-11,667	-101,886	-45,086	111,416
(palø1000/3.58)	14950	3	32,000	-12,000	-100,722	-44,548	110,134
	14951	4	32,000	-12,333	-99,495	-44,006	108,793
	14952	5	32,000	-12,667	-98,209	-43,463	107,396
EmbeddedBeamRow\ 2_1	14952	1	32,000	-12,667	-98,209	-43,463	107,396
Element 2-28 (Embedded beam row)	14953	2	32,000	-13,000	-96,866	-42,921	105,949
(palø1000/3.58)	14954	3	32,000	-13,333	-95,469	-42,385	104,455
	14955	4	32,000	-13,667	-94,021	-41,857	102,918
	14956	5	32,000	-14,000	-92,527	-41,340	101,342
EmbeddedBeamRow\ 2_1	14956	1	32,000	-14,000	-92,527	-41,340	101,342
Element 2-29 (Embedded beam row)	14957	2	32,000	-14,333	-90,988	-40,836	99,732
(palø1000/3.58)	14958	3	32,000	-14,667	-89,411	-40,347	98,092
	14959	4	32,000	-15,000	-87,797	-39,875	96,428
	14960	5	32,000	-15,333	-86,152	-39,426	94,745
EmbeddedBeamRow\ 2_1	14960	1	32,000	-15,333	-86,152	-39,426	94,745
Element 2-30 (Embedded beam row)	14961	2	32,000	-15,667	-84,480	-39,000	93,048
(palø1000/3.58)	14962	3	32,000	-16,000	-82,785	-38,603	91,343
	14963	4	32,000	-16,333	-81,073	-38,239	89,638
	14964	5	32,000	-16,667	-79,349	-37,910	87,940
EmbeddedBeamRow\ 2_1	14964	1	32,000	-16,667	-79,349	-37,910	87,940
Element 2-31 (Embedded beam row)	14965	2	32,000	-17,000	-77,620	-37,622	86,257
(palø1000/3.58)	14966	3	32,000	-17,333	-75,892	-37,379	84,598
	14967	4	32,000	-17,667	-74,171	-37,184	82,970
	14968	5	32,000	-18,000	-72,465	-37,041	81,384
EmbeddedBeamRow\ 2_1	14968	1	32,000	-18,000	-72,465	-37,041	81,384
Element 2-32 (Embedded beam row)	14969	2	32,000	-18,333	-70,779	-36,953	79,845
(palø1000/3.58)	14970	3	32,000	-18,667	-69,116	-36,921	78,359
	14971	4	32,000	-19,000	-67,480	-36,945	76,931
	14972	5	32,000	-19,333	-65,873	-37,023	75,564
EmbeddedBeamRow\ 2_1	14972	1	32,000	-19,333	-65,873	-37,023	75,564
Element 2-33 (Embedded beam row)	14973	2	32,000	-19,667	-64,294	-37,154	74,257
(palø1000/3.58)	14974	3	32,000	-20,000	-62,742	-37,334	73,010
	14975	4	32,000	-20,333	-61,217	-37,559	71,821
	14976	5	32,000	-20,667	-59,716	-37,825	70,687
EmbeddedBeamRow\ 2_1	14976	1	32,000	-20,667	-59,716	-37,825	70,687
Element 2-34 (Embedded beam row)	14977	2	32,000	-21,000	-58,237	-38,128	69,608
(palø1000/3.58)	14978	3	32,000	-21,333	-56,776	-38,466	68,580
	14979	4	32,000	-21,667	-55,333	-38,834	67,600
	14980	5	32,000	-22,000	-53,906	-39,229	66,669
EmbeddedBeamRow\ 2_1	14980	1	32,000	-22,000	-53,906	-39,229	66,669
Element 2-35 (Embedded beam row)	14981	2	32,000	-22,333	-52,494	-39,647	65,784
(palø1000/3.58)	14982	3	32,000	-22,667	-51,095	-40,086	64,943
	14983	4	32,000	-23,000	-49,710	-40,543	64,147
	14984	5	32,000	-23,333	-48,338	-41,015	63,394
EmbeddedBeamRow\ 2_1	14984	1	32,000	-23,333	-48,338	-41,015	63,394
Element 2-36 (Embedded beam row)	14985	2	32,000	-23,667	-46,978	-41,502	62,685
(palø1000/3.58)	14986	3	32,000	-24,000	-45,630	-42,000	62,017
	14987	4	32,000	-24,333	-44,292	-42,508	61,390
	14988	5	32,000	-24,667	-42,964	-43,023	60,802
EmbeddedBeamRow\ 2_1	14988	1	32,000	-24,667	-42,964	-43,023	60,802
Element 2-37 (Embedded beam row)	14989	2	32,000	-25,000	-41,641	-43,541	60,248
(palø1000/3.58)	14990	3	32,000	-25,333	-40,322	-44,057	59,724
	14991	4	32,000	-25,667	-39,006	-44,569	59,227
	14992	5	32,000	-26,000	-37,702	-45,067	58,758
EmbeddedBeamRow\ 2_1	14992	1	32,000	-26,000	-37,702	-45,067	58,758
Element 2-38 (Embedded beam row)	14993	2	32,000	-26,500	-36,387	-45,471	58,238
(palø1000/3.58)	14994	3	32,000	-27,000	-35,142	-45,867	57,781
	14995	4	32,000	-27,500	-33,944	-46,261	57,379
	14996	5	32,000	-28,000	-32,782	-46,659	57,024

EmbeddedBeamRow\ 2_1	14996	1	32,000	-28,000	-32,782	-46,659	57,024
Element 2-39 (Embedded beam row)	14997	2	32,000	-28,350	-31,841	-47,021	56,787
(palø1000/3.58)	14998	3	32,000	-28,700	-30,904	-47,387	56,574
	14999	4	32,000	-29,050	-29,971	-47,756	56,382
	15000	5	32,000	-29,400	-29,037	-48,129	56,210
EmbeddedBeamRow\ 2_1	15000	1	32,000	-29,400	-29,037	-48,129	56,210
Element 2-40 (Embedded beam row)	15001	2	32,000	-29,750	-28,100	-48,506	56,057
(palø1000/3.58)	15002	3	32,000	-30,100	-27,159	-48,887	55,924
	15003	4	32,000	-30,450	-26,210	-49,272	55,810
	15004	5	32,000	-30,800	-25,252	-49,663	55,714
EmbeddedBeamRow\ 2_1	15004	1	32,000	-30,800	-25,252	-49,663	55,714
Element 2-41 (Embedded beam row)	15005	2	32,000	-31,150	-24,282	-50,059	55,637
(palø1000/3.58)	15006	3	32,000	-31,500	-23,300	-50,461	55,580
	15007	4	32,000	-31,850	-22,302	-50,868	55,542
	15008	5	32,000	-32,200	-21,288	-51,282	55,525
EmbeddedBeamRow\ 2_1	15008	1	32,000	-32,200	-21,288	-51,282	55,525
Element 2-42 (Embedded beam row)	15009	2	32,000	-32,550	-20,256	-51,701	55,528
(palø1000/3.58)	15010	3	32,000	-32,900	-19,205	-52,127	55,552
	15011	4	32,000	-33,250	-18,133	-52,559	55,600
	15012	5	32,000	-33,600	-17,040	-52,998	55,670
EmbeddedBeamRow\ 2_1	15012	1	32,000	-33,600	-17,040	-52,998	55,670
Element 2-43 (Embedded beam row)	15013	2	32,000	-33,950	-15,924	-53,443	55,765
(palø1000/3.58)	15014	3	32,000	-34,300	-14,785	-53,897	55,888
	15015	4	32,000	-34,650	-13,621	-54,353	56,034
	15016	5	32,000	-35,000	-12,434	-54,779	56,173
EmbeddedBeamRow\ 3_1	15017	1	38,000	1,500	-107,080	-42,711	115,284
Element 3-44 (Embedded beam row)	15018	2	38,000	1,290	-107,043	-42,915	115,325
(palø1000/3.58)	15019	3	38,000	1,079	-107,010	-43,122	115,371
	15020	4	38,000	0,869	-106,977	-43,332	115,420
	15021	5	38,000	0,658	-106,944	-43,541	115,468
EmbeddedBeamRow\ 3_1	15021	1	38,000	0,658	-106,944	-43,541	115,468
Element 3-45 (Embedded beam row)	15022	2	38,000	0,375	-106,898	-43,819	115,530
(palø1000/3.58)	15023	3	38,000	0,092	-106,849	-44,091	115,589
	15024	4	38,000	-0,192	-106,799	-44,355	115,643
	15025	5	38,000	-0,475	-106,748	-44,611	115,695
EmbeddedBeamRow\ 3_1	15025	1	38,000	-0,475	-106,748	-44,611	115,695
Element 3-46 (Embedded beam row)	15026	2	38,000	-0,856	-106,679	-44,945	115,761
(palø1000/3.58)	15027	3	38,000	-1,237	-106,611	-45,265	115,822
	15028	4	38,000	-1,619	-106,541	-45,587	115,884
	15029	5	38,000	-2,000	-106,464	-45,982	115,970
EmbeddedBeamRow\ 3_1	15029	1	38,000	-2,000	-106,464	-45,982	115,970
Element 3-47 (Embedded beam row)	15030	2	38,000	-2,500	-106,303	-47,762	116,540
(palø1000/3.58)	15031	3	38,000	-3,000	-105,755	-49,572	116,797
	15032	4	38,000	-3,500	-104,745	-51,307	116,636
	15033	5	38,000	-4,000	-103,334	-52,895	116,085
EmbeddedBeamRow\ 3_1	15033	1	38,000	-4,000	-103,334	-52,895	116,085
Element 3-48 (Embedded beam row)	15034	2	38,000	-4,375	-102,750	-52,915	115,575
(palø1000/3.58)	15035	3	38,000	-4,750	-102,145	-52,870	115,017
	15036	4	38,000	-5,125	-101,510	-52,789	114,416
	15037	5	38,000	-5,500	-100,847	-52,675	113,775
EmbeddedBeamRow\ 3_1	15037	1	38,000	-5,500	-100,847	-52,675	113,775
Element 3-49 (Embedded beam row)	15038	2	38,000	-5,875	-100,161	-52,532	113,101
(palø1000/3.58)	15039	3	38,000	-6,250	-99,455	-52,363	112,398
	15040	4	38,000	-6,625	-98,733	-52,169	111,669
	15041	5	38,000	-7,000	-97,996	-51,954	110,916
EmbeddedBeamRow\ 3_1	15041	1	38,000	-7,000	-97,996	-51,954	110,916
Element 3-50 (Embedded beam row)	15042	2	38,000	-7,375	-97,245	-51,716	110,142
(palø1000/3.58)	15043	3	38,000	-7,750	-96,481	-51,457	109,345
	15044	4	38,000	-8,125	-95,704	-51,178	108,529
	15045	5	38,000	-8,500	-94,917	-50,878	107,693
EmbeddedBeamRow\ 3_1	15045	1	38,000	-8,500	-94,917	-50,878	107,693
Element 3-51 (Embedded beam row)	15046	2	38,000	-8,875	-94,121	-50,557	106,840
(palø1000/3.58)	15047	3	38,000	-9,250	-93,317	-50,217	105,971
	15048	4	38,000	-9,625	-92,508	-49,858	105,089
	15049	5	38,000	-10,000	-91,691	-49,483	104,191
EmbeddedBeamRow\ 3_1	15049	1	38,000	-10,000	-91,691	-49,483	104,191
Element 3-52 (Embedded beam row)	15050	2	38,000	-10,333	-90,496	-49,261	103,035
(palø1000/3.58)	15051	3	38,000	-10,667	-89,277	-49,025	101,852
	15052	4	38,000	-11,000	-88,044	-48,774	100,651
	15053	5	38,000	-11,333	-86,798	-48,510	99,434
EmbeddedBeamRow\ 3_1	15053	1	38,000	-11,333	-86,798	-48,510	99,434
Element 3-53 (Embedded beam row)	15054	2	38,000	-11,667	-85,544	-48,237	98,207
(palø1000/3.58)	15055	3	38,000	-12,000	-84,283	-47,958	96,972
	15056	4	38,000	-12,333	-83,019	-47,676	95,735
	15057	5	38,000	-12,667	-81,754	-47,396	94,499
EmbeddedBeamRow\ 3_1	15057	1	38,000	-12,667	-81,754	-47,396	94,499
Element 3-54 (Embedded beam row)	15058	2	38,000	-13,000	-80,491	-47,119	93,268
(palø1000/3.58)	15059	3	38,000	-13,333	-79,231	-46,848	92,045
	15060	4	38,000	-13,667	-77,976	-46,586	90,832
	15061	5	38,000	-14,000	-76,727	-46,334	89,632
EmbeddedBeamRow\ 3_1	15061	1	38,000	-14,000	-76,727	-46,334	89,632
Element 3-55 (Embedded beam row)	15062	2	38,000	-14,333	-75,487	-46,094	88,447
(palø1000/3.58)	15063	3	38,000	-14,667	-74,255	-45,867	87,279
	15064	4	38,000	-15,000	-73,033	-45,655	86,129
	15065	5	38,000	-15,333	-71,820	-45,457	84,997
EmbeddedBeamRow\ 3_1	15065	1	38,000	-15,333	-71,820	-45,457	84,997
Element 3-56 (Embedded beam row)	15066	2	38,000	-15,667	-70,616	-45,276	83,884
(palø1000/3.58)	15067	3	38,000	-16,000	-69,420	-45,110	82,789
	15068	4	38,000	-16,333	-68,232	-44,960	81,713
	15069	5	38,000	-16,667	-67,052	-44,826	80,655
EmbeddedBeamRow\ 3_1	15069	1	38,000	-16,667	-67,052	-44,826	80,655

Element 3-57 (Embedded beam row)	15070	2	38,000	-17,000	-65,877	-44,706	79,614
(paloo1000/3.58)	15071	3	38,000	-17,333	-64,707	-44,602	78,590
	15072	4	38,000	-17,667	-63,541	-44,512	77,581
	15073	5	38,000	-18,000	-62,378	-44,435	76,587
EmbeddedBeamRow\3_1	15073	1	38,000	-18,000	-62,378	-44,435	76,587
Element 3-58 (Embedded beam row)	15074	2	38,000	-18,333	-61,218	-44,370	75,606
(paloo1000/3.58)	15075	3	38,000	-18,667	-60,060	-44,314	74,638
	15076	4	38,000	-19,000	-58,903	-44,266	73,682
	15077	5	38,000	-19,333	-57,747	-44,227	72,738
EmbeddedBeamRow\3_1	15077	1	38,000	-19,333	-57,747	-44,227	72,738
Element 3-59 (Embedded beam row)	15078	2	38,000	-19,667	-56,591	-44,196	71,804
(paloo1000/3.58)	15079	3	38,000	-20,000	-55,434	-44,173	70,881
	15080	4	38,000	-20,333	-54,276	-44,156	69,969
	15081	5	38,000	-20,667	-53,116	-44,147	69,067
EmbeddedBeamRow\3_1	15081	1	38,000	-20,667	-53,116	-44,147	69,067
Element 3-60 (Embedded beam row)	15082	2	38,000	-21,000	-51,953	-44,144	68,175
(paloo1000/3.58)	15083	3	38,000	-21,333	-50,788	-44,149	67,295
	15084	4	38,000	-21,667	-49,619	-44,162	66,425
	15085	5	38,000	-22,000	-48,446	-44,182	65,567
EmbeddedBeamRow\3_1	15085	1	38,000	-22,000	-48,446	-44,182	65,567
Element 3-61 (Embedded beam row)	15086	2	38,000	-22,333	-47,269	-44,211	64,723
(paloo1000/3.58)	15087	3	38,000	-22,667	-46,088	-44,249	63,891
	15088	4	38,000	-23,000	-44,903	-44,297	63,075
	15089	5	38,000	-23,333	-43,714	-44,354	62,275
EmbeddedBeamRow\3_1	15089	1	38,000	-23,333	-43,714	-44,354	62,275
Element 3-62 (Embedded beam row)	15090	2	38,000	-23,667	-42,522	-44,422	61,493
(paloo1000/3.58)	15091	3	38,000	-24,000	-41,325	-44,501	60,730
	15092	4	38,000	-24,333	-40,125	-44,592	59,987
	15093	5	38,000	-24,667	-38,921	-44,695	59,266
EmbeddedBeamRow\3_1	15093	1	38,000	-24,667	-38,921	-44,695	59,266
Element 3-63 (Embedded beam row)	15094	2	38,000	-25,000	-37,713	-44,811	58,569
(paloo1000/3.58)	15095	3	38,000	-25,333	-36,502	-44,941	57,897
	15096	4	38,000	-25,667	-35,286	-45,084	57,251
	15097	5	38,000	-26,000	-34,073	-45,238	56,634
EmbeddedBeamRow\3_1	15097	1	38,000	-26,000	-34,073	-45,238	56,634
Element 3-64 (Embedded beam row)	15098	2	38,000	-26,500	-32,720	-45,403	55,965
(paloo1000/3.58)	15099	3	38,000	-27,000	-31,379	-45,577	55,334
	15100	4	38,000	-27,500	-30,044	-45,758	54,740
	15101	5	38,000	-28,000	-28,715	-45,948	54,183
EmbeddedBeamRow\3_1	15101	1	38,000	-28,000	-28,715	-45,948	54,183
Element 3-65 (Embedded beam row)	15102	2	38,000	-28,350	-27,670	-46,138	53,799
(paloo1000/3.58)	15103	3	38,000	-28,700	-26,622	-46,332	53,436
	15104	4	38,000	-29,050	-25,572	-46,531	53,095
	15105	5	38,000	-29,400	-24,518	-46,734	52,775
EmbeddedBeamRow\3_1	15105	1	38,000	-29,400	-24,518	-46,734	52,775
Element 3-66 (Embedded beam row)	15106	2	38,000	-29,750	-23,459	-46,940	52,476
(paloo1000/3.58)	15107	3	38,000	-30,100	-22,396	-47,150	52,199
	15108	4	38,000	-30,450	-21,326	-47,364	51,943
	15109	5	38,000	-30,800	-20,248	-47,581	51,710
EmbeddedBeamRow\3_1	15109	1	38,000	-30,800	-20,248	-47,581	51,710
Element 3-67 (Embedded beam row)	15110	2	38,000	-31,150	-19,162	-47,803	51,500
(paloo1000/3.58)	15111	3	38,000	-31,500	-18,066	-48,028	51,313
	15112	4	38,000	-31,850	-16,960	-48,257	51,151
	15113	5	38,000	-32,200	-15,842	-48,491	51,013
EmbeddedBeamRow\3_1	15113	1	38,000	-32,200	-15,842	-48,491	51,013
Element 3-68 (Embedded beam row)	15114	2	38,000	-32,550	-14,712	-48,729	50,901
(paloo1000/3.58)	15115	3	38,000	-32,900	-13,567	-48,971	50,816
	15116	4	38,000	-33,250	-12,408	-49,218	50,758
	15117	5	38,000	-33,600	-11,234	-49,470	50,730
EmbeddedBeamRow\3_1	15117	1	38,000	-33,600	-11,234	-49,470	50,730
Element 3-69 (Embedded beam row)	15118	2	38,000	-33,950	-10,044	-49,727	50,731
(paloo1000/3.58)	15119	3	38,000	-34,300	-8,836	-49,989	50,764
	15120	4	38,000	-34,650	-7,611	-50,255	50,828
	15121	5	38,000	-35,000	-6,369	-50,505	50,905

SLU11 q=69kPa b=46kN/m [Phase 11] (11/79)

Structural element	Node [10 ³]	Local number	X [m]	Y [m]	u _x [10 ⁻³ m]	u _y [10 ⁻³ m]	u [10 ⁻³ m]
EmbeddedBeamRow\1_1	14843	1	26,000	1,500	-97,886	-39,604	105,595
Element 1-1 (Embedded beam row)	14844	2	26,000	1,325	-98,984	-40,378	106,903
(paloo1000/3.58)	14845	3	26,000	1,150	-100,091	-41,056	108,184
	14846	4	26,000	0,975	-101,198	-41,633	109,427
	14847	5	26,000	0,800	-102,306	-42,115	110,636
EmbeddedBeamRow\1_1	14847	1	26,000	0,800	-102,306	-42,115	110,636
Element 1-2 (Embedded beam row)	14848	2	26,000	0,100	-106,737	-43,296	115,184
(paloo1000/3.58)	14849	3	26,000	-0,600	-111,377	-44,234	119,840
	14850	4	26,000	-1,300	-116,086	-44,993	124,501
	14851	5	26,000	-2,000	-120,766	-45,694	129,122
EmbeddedBeamRow\1_1	14851	1	26,000	-2,000	-120,766	-45,694	129,122
Element 1-3 (Embedded beam row)	14852	2	26,000	-2,500	-124,184	-48,297	133,245
(paloo1000/3.58)	14853	3	26,000	-3,000	-127,504	-50,980	137,318
	14854	4	26,000	-3,500	-130,603	-53,666	141,199
	14855	5	26,000	-4,000	-133,358	-56,305	144,757
EmbeddedBeamRow\1_1	14855	1	26,000	-4,000	-133,358	-56,305	144,757
Element 1-4 (Embedded beam row)	14856	2	26,000	-4,500	-135,539	-55,407	146,427
(paloo1000/3.58)	14857	3	26,000	-5,000	-137,598	-54,232	147,900
	14858	4	26,000	-5,500	-139,576	-52,871	149,254
	14859	5	26,000	-6,000	-141,458	-51,344	150,488
EmbeddedBeamRow\1_1	14859	1	26,000	-6,000	-141,458	-51,344	150,488
Element 1-5 (Embedded beam row)	14860	2	26,000	-6,500	-143,223	-49,692	151,599

(paloo1000/3.58)	14861	3	26,000	-7,000	-144,835	-47,948	152,565
	14862	4	26,000	-7,500	-146,287	-46,120	153,384
	14863	5	26,000	-8,000	-147,567	-44,221	154,050
EmbeddedBeamRow\1\1	14863	1	26,000	-8,000	-147,567	-44,221	154,050
Element 1-6 (Embedded beam row)	14864	2	26,000	-8,500	-148,713	-42,296	154,611
(paloo1000/3.58)	14865	3	26,000	-9,000	-149,711	-40,368	155,058
	14866	4	26,000	-9,500	-150,491	-38,439	155,322
	14867	5	26,000	-10,000	-150,971	-36,531	155,328
EmbeddedBeamRow\1\1	14867	1	26,000	-10,000	-150,971	-36,531	155,328
Element 1-7 (Embedded beam row)	14868	2	26,000	-10,500	-149,860	-36,296	154,192
(paloo1000/3.58)	14869	3	26,000	-11,000	-148,318	-36,189	152,669
	14870	4	26,000	-11,500	-146,384	-36,200	150,794
	14871	5	26,000	-12,000	-144,077	-36,317	148,584
EmbeddedBeamRow\1\1	14871	1	26,000	-12,000	-144,077	-36,317	148,584
Element 1-8 (Embedded beam row)	14872	2	26,000	-12,500	-141,453	-36,494	146,085
(paloo1000/3.58)	14873	3	26,000	-13,000	-138,556	-36,705	143,335
	14874	4	26,000	-13,500	-135,440	-36,897	140,376
	14875	5	26,000	-14,000	-132,146	-37,034	137,237
EmbeddedBeamRow\1\1	14875	1	26,000	-14,000	-132,146	-37,034	137,237
Element 1-9 (Embedded beam row)	14876	2	26,000	-14,500	-128,687	-37,123	133,935
(paloo1000/3.58)	14877	3	26,000	-15,000	-125,076	-37,172	130,483
	14878	4	26,000	-15,500	-121,318	-37,200	126,893
	14879	5	26,000	-16,000	-117,422	-37,226	123,181
EmbeddedBeamRow\1\1	14879	1	26,000	-16,000	-117,422	-37,226	123,181
Element 1-10 (Embedded beam row)	14880	2	26,000	-16,500	-113,399	-37,261	119,364
(paloo1000/3.58)	14881	3	26,000	-17,000	-109,264	-37,314	115,459
	14882	4	26,000	-17,500	-105,031	-37,387	111,486
	14883	5	26,000	-18,000	-100,715	-37,485	107,465
EmbeddedBeamRow\1\1	14883	1	26,000	-18,000	-100,715	-37,485	107,465
Element 1-11 (Embedded beam row)	14884	2	26,000	-18,500	-96,332	-37,606	103,412
(paloo1000/3.58)	14885	3	26,000	-19,000	-91,898	-37,749	99,349
	14886	4	26,000	-19,500	-87,426	-37,910	95,292
	14887	5	26,000	-20,000	-82,931	-38,085	91,258
EmbeddedBeamRow\1\1	14887	1	26,000	-20,000	-82,931	-38,085	91,258
Element 1-12 (Embedded beam row)	14888	2	26,000	-20,500	-78,426	-38,271	87,266
(paloo1000/3.58)	14889	3	26,000	-21,000	-73,911	-38,453	83,316
	14890	4	26,000	-21,500	-69,403	-38,641	79,435
	14891	5	26,000	-22,000	-64,971	-38,879	75,715
EmbeddedBeamRow\1\1	14891	1	26,000	-22,000	-64,971	-38,879	75,715
Element 1-13 (Embedded beam row)	14892	2	26,000	-22,500	-60,798	-39,273	72,379
(paloo1000/3.58)	14893	3	26,000	-23,000	-57,176	-40,006	69,782
	14894	4	26,000	-23,500	-54,098	-40,989	67,872
	14895	5	26,000	-24,000	-51,195	-41,948	66,185
EmbeddedBeamRow\1\1	14895	1	26,000	-24,000	-51,195	-41,948	66,185
Element 1-14 (Embedded beam row)	14896	2	26,000	-24,500	-48,580	-42,917	64,822
(paloo1000/3.58)	14897	3	26,000	-25,000	-46,066	-43,823	63,581
	14898	4	26,000	-25,500	-43,766	-44,713	62,568
	14899	5	26,000	-26,000	-41,790	-45,636	61,879
EmbeddedBeamRow\1\1	14899	1	26,000	-26,000	-41,790	-45,636	61,879
Element 1-15 (Embedded beam row)	14900	2	26,000	-26,500	-40,758	-46,181	61,595
(paloo1000/3.58)	14901	3	26,000	-27,000	-39,693	-46,751	61,328
	14902	4	26,000	-27,500	-38,604	-47,376	61,113
	14903	5	26,000	-28,000	-37,521	-48,062	60,974
EmbeddedBeamRow\1\1	14903	1	26,000	-28,000	-37,521	-48,062	60,974
Element 1-16 (Embedded beam row)	14904	2	26,000	-28,457	-36,217	-48,902	60,853
(paloo1000/3.58)	14905	3	26,000	-28,914	-34,912	-49,786	60,807
	14906	4	26,000	-29,371	-33,614	-50,703	60,833
	14907	5	26,000	-29,828	-32,321	-51,647	60,926
EmbeddedBeamRow\1\1	14907	1	26,000	-29,828	-32,321	-51,647	60,926
Element 1-17 (Embedded beam row)	14908	2	26,000	-31,121	-28,658	-54,427	61,511
(paloo1000/3.58)	14909	3	26,000	-32,414	-24,899	-57,326	62,500
	14910	4	26,000	-33,707	-20,925	-60,305	63,833
	14911	5	26,000	-35,000	-16,636	-63,322	65,471
EmbeddedBeamRow\2\1	14912	1	32,000	1,500	-113,231	-55,598	126,144
Element 2-18 (Embedded beam row)	14913	2	32,000	1,290	-113,251	-56,032	126,354
(paloo1000/3.58)	14914	3	32,000	1,079	-113,251	-56,384	126,511
	14915	4	32,000	0,869	-113,256	-56,674	126,645
	14916	5	32,000	0,658	-113,291	-56,944	126,797
EmbeddedBeamRow\2\1	14916	1	32,000	0,658	-113,291	-56,944	126,797
Element 2-19 (Embedded beam row)	14917	2	32,000	0,375	-113,375	-57,303	127,033
(paloo1000/3.58)	14918	3	32,000	0,092	-113,495	-57,652	127,298
	14919	4	32,000	-0,192	-113,641	-57,991	127,583
	14920	5	32,000	-0,475	-113,805	-58,319	127,878
EmbeddedBeamRow\2\1	14920	1	32,000	-0,475	-113,805	-58,319	127,878
Element 2-20 (Embedded beam row)	14921	2	32,000	-0,856	-114,036	-58,747	128,279
(paloo1000/3.58)	14922	3	32,000	-1,237	-114,265	-59,149	128,667
	14923	4	32,000	-1,619	-114,469	-59,546	129,031
	14924	5	32,000	-2,000	-114,662	-60,022	129,422
EmbeddedBeamRow\2\1	14924	1	32,000	-2,000	-114,662	-60,022	129,422
Element 2-21 (Embedded beam row)	14925	2	32,000	-2,500	-115,787	-62,361	131,512
(paloo1000/3.58)	14926	3	32,000	-3,000	-116,800	-64,726	133,536
	14927	4	32,000	-3,500	-117,644	-67,036	135,403
	14928	5	32,000	-4,000	-118,302	-69,231	137,070
EmbeddedBeamRow\2\1	14928	1	32,000	-4,000	-118,302	-69,231	137,070
Element 2-22 (Embedded beam row)	14929	2	32,000	-4,375	-118,251	-68,949	136,884
(paloo1000/3.58)	14930	3	32,000	-4,750	-118,173	-68,540	136,611
	14931	4	32,000	-5,125	-118,072	-68,061	136,284
	14932	5	32,000	-5,500	-117,944	-67,524	135,906
EmbeddedBeamRow\2\1	14932	1	32,000	-5,500	-117,944	-67,524	135,906
Element 2-23 (Embedded beam row)	14933	2	32,000	-5,875	-117,790	-66,927	135,476
(paloo1000/3.58)	14934	3	32,000	-6,250	-117,606	-66,276	134,995

EmbeddedBeamRow\ 1\ 1	14871	1	26,000	-12,000	-144,077	-36,317	148,584
Element 1-8 (Embedded beam row)	14872	2	26,000	-12,500	-141,453	-36,494	146,085
(palø1000/3.58)	14873	3	26,000	-13,000	-138,556	-36,705	143,335
	14874	4	26,000	-13,500	-135,440	-36,897	140,376
	14875	5	26,000	-14,000	-132,146	-37,034	137,237
EmbeddedBeamRow\ 1\ 1	14875	1	26,000	-14,000	-132,146	-37,034	137,237
Element 1-9 (Embedded beam row)	14876	2	26,000	-14,500	-128,687	-37,123	133,935
(palø1000/3.58)	14877	3	26,000	-15,000	-125,076	-37,172	130,483
	14878	4	26,000	-15,500	-121,318	-37,200	126,893
	14879	5	26,000	-16,000	-117,422	-37,226	123,181
EmbeddedBeamRow\ 1\ 1	14879	1	26,000	-16,000	-117,422	-37,226	123,181
Element 1-10 (Embedded beam row)	14880	2	26,000	-16,500	-113,399	-37,261	119,364
(palø1000/3.58)	14881	3	26,000	-17,000	-109,264	-37,314	115,459
	14882	4	26,000	-17,500	-105,031	-37,387	111,486
	14883	5	26,000	-18,000	-100,715	-37,485	107,465
EmbeddedBeamRow\ 1\ 1	14883	1	26,000	-18,000	-100,715	-37,485	107,465
Element 1-11 (Embedded beam row)	14884	2	26,000	-18,500	-96,332	-37,606	103,412
(palø1000/3.58)	14885	3	26,000	-19,000	-91,898	-37,749	99,349
	14886	4	26,000	-19,500	-87,426	-37,910	95,292
	14887	5	26,000	-20,000	-82,931	-38,085	91,258
EmbeddedBeamRow\ 1\ 1	14887	1	26,000	-20,000	-82,931	-38,085	91,258
Element 1-12 (Embedded beam row)	14888	2	26,000	-20,500	-78,426	-38,271	87,266
(palø1000/3.58)	14889	3	26,000	-21,000	-73,911	-38,453	83,316
	14890	4	26,000	-21,500	-69,403	-38,641	79,435
	14891	5	26,000	-22,000	-64,971	-38,879	75,715
EmbeddedBeamRow\ 1\ 1	14891	1	26,000	-22,000	-64,971	-38,879	75,715
Element 1-13 (Embedded beam row)	14892	2	26,000	-22,500	-60,798	-39,273	72,379
(palø1000/3.58)	14893	3	26,000	-23,000	-57,176	-40,006	69,782
	14894	4	26,000	-23,500	-54,098	-40,989	67,872
	14895	5	26,000	-24,000	-51,195	-41,948	66,185
EmbeddedBeamRow\ 1\ 1	14895	1	26,000	-24,000	-51,195	-41,948	66,185
Element 1-14 (Embedded beam row)	14896	2	26,000	-24,500	-48,580	-42,917	64,822
(palø1000/3.58)	14897	3	26,000	-25,000	-46,066	-43,823	63,581
	14898	4	26,000	-25,500	-43,766	-44,713	62,568
	14899	5	26,000	-26,000	-41,790	-45,636	61,879
EmbeddedBeamRow\ 1\ 1	14899	1	26,000	-26,000	-41,790	-45,636	61,879
Element 1-15 (Embedded beam row)	14900	2	26,000	-26,500	-40,758	-46,181	61,595
(palø1000/3.58)	14901	3	26,000	-27,000	-39,693	-46,751	61,328
	14902	4	26,000	-27,500	-38,604	-47,376	61,113
	14903	5	26,000	-28,000	-37,521	-48,062	60,974
EmbeddedBeamRow\ 1\ 1	14903	1	26,000	-28,000	-37,521	-48,062	60,974
Element 1-16 (Embedded beam row)	14904	2	26,000	-28,457	-36,217	-48,902	60,853
(palø1000/3.58)	14905	3	26,000	-28,914	-34,912	-49,786	60,807
	14906	4	26,000	-29,371	-33,614	-50,703	60,833
	14907	5	26,000	-29,828	-32,321	-51,647	60,926
EmbeddedBeamRow\ 1\ 1	14907	1	26,000	-29,828	-32,321	-51,647	60,926
Element 1-17 (Embedded beam row)	14908	2	26,000	-31,121	-28,658	-54,427	61,511
(palø1000/3.58)	14909	3	26,000	-32,414	-24,899	-57,326	62,500
	14910	4	26,000	-33,707	-20,925	-60,305	63,833
	14911	5	26,000	-35,000	-16,636	-63,322	65,471
EmbeddedBeamRow\ 2\ 1	14912	1	32,000	1,500	-113,231	-55,598	126,144
Element 2-18 (Embedded beam row)	14913	2	32,000	1,290	-113,251	-56,032	126,354
(palø1000/3.58)	14914	3	32,000	1,079	-113,251	-56,384	126,511
	14915	4	32,000	0,869	-113,256	-56,674	126,645
	14916	5	32,000	0,658	-113,291	-56,944	126,797
EmbeddedBeamRow\ 2\ 1	14916	1	32,000	0,658	-113,291	-56,944	126,797
Element 2-19 (Embedded beam row)	14917	2	32,000	0,375	-113,375	-57,303	127,033
(palø1000/3.58)	14918	3	32,000	0,092	-113,495	-57,652	127,298
	14919	4	32,000	-0,192	-113,641	-57,991	127,583
	14920	5	32,000	-0,475	-113,805	-58,319	127,878
EmbeddedBeamRow\ 2\ 1	14920	1	32,000	-0,475	-113,805	-58,319	127,878
Element 2-20 (Embedded beam row)	14921	2	32,000	-0,856	-114,036	-58,747	128,279
(palø1000/3.58)	14922	3	32,000	-1,237	-114,265	-59,149	128,667
	14923	4	32,000	-1,619	-114,469	-59,546	129,031
	14924	5	32,000	-2,000	-114,662	-60,022	129,422
EmbeddedBeamRow\ 2\ 1	14924	1	32,000	-2,000	-114,662	-60,022	129,422
Element 2-21 (Embedded beam row)	14925	2	32,000	-2,500	-115,787	-62,361	131,512
(palø1000/3.58)	14926	3	32,000	-3,000	-116,800	-64,726	133,536
	14927	4	32,000	-3,500	-117,644	-67,036	135,403
	14928	5	32,000	-4,000	-118,302	-69,231	137,070
EmbeddedBeamRow\ 2\ 1	14928	1	32,000	-4,000	-118,302	-69,231	137,070
Element 2-22 (Embedded beam row)	14929	2	32,000	-4,375	-118,251	-68,949	136,884
(palø1000/3.58)	14930	3	32,000	-4,750	-118,173	-68,540	136,611
	14931	4	32,000	-5,125	-118,072	-68,061	136,284
	14932	5	32,000	-5,500	-117,944	-67,524	135,906
EmbeddedBeamRow\ 2\ 1	14932	1	32,000	-5,500	-117,944	-67,524	135,906
Element 2-23 (Embedded beam row)	14933	2	32,000	-5,875	-117,790	-66,927	135,476
(palø1000/3.58)	14934	3	32,000	-6,250	-117,606	-66,276	134,995
	14935	4	32,000	-6,625	-117,391	-65,574	134,464
	14936	5	32,000	-7,000	-117,143	-64,825	133,884
EmbeddedBeamRow\ 2\ 1	14936	1	32,000	-7,000	-117,143	-64,825	133,884
Element 2-24 (Embedded beam row)	14937	2	32,000	-7,375	-116,865	-64,029	133,256
(palø1000/3.58)	14938	3	32,000	-7,750	-116,554	-63,191	132,582
	14939	4	32,000	-8,125	-116,211	-62,313	131,863
	14940	5	32,000	-8,500	-115,833	-61,398	131,099
EmbeddedBeamRow\ 2\ 1	14940	1	32,000	-8,500	-115,833	-61,398	131,099
Element 2-25 (Embedded beam row)	14941	2	32,000	-8,875	-115,421	-60,450	130,293
(palø1000/3.58)	14942	3	32,000	-9,250	-114,973	-59,470	129,443
	14943	4	32,000	-9,625	-114,491	-58,460	128,553
	14944	5	32,000	-10,000	-113,969	-57,435	127,623
EmbeddedBeamRow\ 2\ 1	14944	1	32,000	-10,000	-113,969	-57,435	127,623

EmbeddedBeamRow\2\1	14956	1	32,000	-14,000	-152,481	-116,914	192,144
Element 2-29 (Embedded beam row)	14957	2	32,000	-14,333	-149,942	-116,405	189,823
(palø1000/3.58)	14958	3	32,000	-14,667	-147,344	-115,912	187,472
	14959	4	32,000	-15,000	-144,692	-115,437	185,098
	14960	5	32,000	-15,333	-141,989	-114,983	182,707
EmbeddedBeamRow\2\1	14960	1	32,000	-15,333	-141,989	-114,983	182,707
Element 2-30 (Embedded beam row)	14961	2	32,000	-15,667	-139,241	-114,553	180,307
(palø1000/3.58)	14962	3	32,000	-16,000	-136,452	-114,153	177,905
	14963	4	32,000	-16,333	-133,630	-113,784	175,510
	14964	5	32,000	-16,667	-130,779	-113,452	173,132
EmbeddedBeamRow\2\1	14964	1	32,000	-16,667	-130,779	-113,452	173,132
Element 2-31 (Embedded beam row)	14965	2	32,000	-17,000	-127,908	-113,161	170,780
(palø1000/3.58)	14966	3	32,000	-17,333	-125,023	-112,914	168,465
	14967	4	32,000	-17,667	-122,133	-112,717	166,197
	14968	5	32,000	-18,000	-119,245	-112,571	163,986
EmbeddedBeamRow\2\1	14968	1	32,000	-18,000	-119,245	-112,571	163,986
Element 2-32 (Embedded beam row)	14969	2	32,000	-18,333	-116,364	-112,479	161,840
(palø1000/3.58)	14970	3	32,000	-18,667	-113,497	-112,445	159,767
	14971	4	32,000	-19,000	-110,648	-112,466	157,771
	14972	5	32,000	-19,333	-107,820	-112,542	155,855
EmbeddedBeamRow\2\1	14972	1	32,000	-19,333	-107,820	-112,542	155,855
Element 2-33 (Embedded beam row)	14973	2	32,000	-19,667	-105,013	-112,671	154,021
(palø1000/3.58)	14974	3	32,000	-20,000	-102,227	-112,850	152,268
	14975	4	32,000	-20,333	-99,464	-113,074	150,595
	14976	5	32,000	-20,667	-96,723	-113,339	149,000
EmbeddedBeamRow\2\1	14976	1	32,000	-20,667	-96,723	-113,339	149,000
Element 2-34 (Embedded beam row)	14977	2	32,000	-21,000	-94,001	-113,641	147,480
(palø1000/3.58)	14978	3	32,000	-21,333	-91,297	-113,978	146,034
	14979	4	32,000	-21,667	-88,611	-114,345	144,661
	14980	5	32,000	-22,000	-85,943	-114,740	143,358
EmbeddedBeamRow\2\1	14980	1	32,000	-22,000	-85,943	-114,740	143,358
Element 2-35 (Embedded beam row)	14981	2	32,000	-22,333	-83,293	-115,158	142,123
(palø1000/3.58)	14982	3	32,000	-22,667	-80,660	-115,597	140,957
	14983	4	32,000	-23,000	-78,047	-116,054	139,856
	14984	5	32,000	-23,333	-75,452	-116,527	138,822
EmbeddedBeamRow\2\1	14984	1	32,000	-23,333	-75,452	-116,527	138,822
Element 2-36 (Embedded beam row)	14985	2	32,000	-23,667	-72,877	-117,014	137,853
(palø1000/3.58)	14986	3	32,000	-24,000	-70,321	-117,514	136,947
	14987	4	32,000	-24,333	-67,785	-118,023	136,104
	14988	5	32,000	-24,667	-65,269	-118,539	135,320
EmbeddedBeamRow\2\1	14988	1	32,000	-24,667	-65,269	-118,539	135,320
Element 2-37 (Embedded beam row)	14989	2	32,000	-25,000	-62,769	-119,059	134,592
(palø1000/3.58)	14990	3	32,000	-25,333	-60,285	-119,577	133,914
	14991	4	32,000	-25,667	-57,815	-120,090	133,283
	14992	5	32,000	-26,000	-55,371	-120,591	132,695
EmbeddedBeamRow\2\1	14992	1	32,000	-26,000	-55,371	-120,591	132,695
Element 2-38 (Embedded beam row)	14993	2	32,000	-26,500	-52,371	-120,998	131,846
(palø1000/3.58)	14994	3	32,000	-27,000	-49,471	-121,396	131,089
	14995	4	32,000	-27,500	-46,650	-121,794	130,422
	14996	5	32,000	-28,000	-43,893	-122,194	129,838
EmbeddedBeamRow\2\1	14996	1	32,000	-28,000	-43,893	-122,194	129,838
Element 2-39 (Embedded beam row)	14997	2	32,000	-28,350	-41,854	-122,557	129,507
(palø1000/3.58)	14998	3	32,000	-28,700	-39,832	-122,925	129,217
	14999	4	32,000	-29,050	-37,825	-123,296	128,968
	15000	5	32,000	-29,400	-35,831	-123,670	128,756
EmbeddedBeamRow\2\1	15000	1	32,000	-29,400	-35,831	-123,670	128,756
Element 2-40 (Embedded beam row)	15001	2	32,000	-29,750	-33,846	-124,048	128,583
(palø1000/3.58)	15002	3	32,000	-30,100	-31,866	-124,431	128,446
	15003	4	32,000	-30,450	-29,889	-124,817	128,346
	15004	5	32,000	-30,800	-27,912	-125,209	128,283
EmbeddedBeamRow\2\1	15004	1	32,000	-30,800	-27,912	-125,209	128,283
Element 2-41 (Embedded beam row)	15005	2	32,000	-31,150	-25,932	-125,606	128,255
(palø1000/3.58)	15006	3	32,000	-31,500	-23,946	-126,009	128,264
	15007	4	32,000	-31,850	-21,953	-126,417	128,309
	15008	5	32,000	-32,200	-19,948	-126,832	128,391
EmbeddedBeamRow\2\1	15008	1	32,000	-32,200	-19,948	-126,832	128,391
Element 2-42 (Embedded beam row)	15009	2	32,000	-32,550	-17,931	-127,252	128,509
(palø1000/3.58)	15010	3	32,000	-32,900	-15,898	-127,678	128,664
	15011	4	32,000	-33,250	-13,848	-128,111	128,857
	15012	5	32,000	-33,600	-11,779	-128,550	129,089
EmbeddedBeamRow\2\1	15012	1	32,000	-33,600	-11,779	-128,550	129,089
Element 2-43 (Embedded beam row)	15013	2	32,000	-33,950	-9,688	-128,996	129,359
(palø1000/3.58)	15014	3	32,000	-34,300	-7,575	-129,449	129,671
	15015	4	32,000	-34,650	-5,438	-129,905	130,019
	15016	5	32,000	-35,000	-3,277	-130,332	130,373
EmbeddedBeamRow\3\1	15017	1	38,000	1,500	-193,500	-111,637	223,395
Element 3-44 (Embedded beam row)	15018	2	38,000	1,290	-193,212	-111,838	223,246
(palø1000/3.58)	15019	3	38,000	1,079	-192,929	-112,042	223,103
	15020	4	38,000	0,869	-192,645	-112,249	222,962
	15021	5	38,000	0,658	-192,361	-112,455	222,820
EmbeddedBeamRow\3\1	15021	1	38,000	0,658	-192,361	-112,455	222,820
Element 3-45 (Embedded beam row)	15022	2	38,000	0,375	-191,973	-112,729	222,624
(palø1000/3.58)	15023	3	38,000	0,092	-191,578	-112,997	222,420
	15024	4	38,000	-0,192	-191,177	-113,257	222,207
	15025	5	38,000	-0,475	-190,768	-113,509	221,984
EmbeddedBeamRow\3\1	15025	1	38,000	-0,475	-190,768	-113,509	221,984
Element 3-46 (Embedded beam row)	15026	2	38,000	-0,856	-190,205	-113,838	221,669
(palø1000/3.58)	15027	3	38,000	-1,237	-189,625	-114,152	221,334
	15028	4	38,000	-1,619	-189,025	-114,469	220,983
	15029	5	38,000	-2,000	-188,396	-114,858	220,648
EmbeddedBeamRow\3\1	15029	1	38,000	-2,000	-188,396	-114,858	220,648

Element 3-47 (Embedded beam row)	15030	2	38,000	-2,500	-187,476	-116,631	220,795
(paloo1000/3.58)	15031	3	38,000	-3,000	-186,127	-118,435	220,613
	15032	4	38,000	-3,500	-184,269	-120,162	219,986
	15033	5	38,000	-4,000	-181,960	-121,743	218,931
EmbeddedBeamRow\ 3\ 1	15033	1	38,000	-4,000	-181,960	-121,743	218,931
Element 3-48 (Embedded beam row)	15034	2	38,000	-4,375	-180,670	-121,757	217,868
(paloo1000/3.58)	15035	3	38,000	-4,750	-179,327	-121,707	216,728
	15036	4	38,000	-5,125	-177,924	-121,621	215,519
	15037	5	38,000	-5,500	-176,460	-121,501	214,244
EmbeddedBeamRow\ 3\ 1	15037	1	38,000	-5,500	-176,460	-121,501	214,244
Element 3-49 (Embedded beam row)	15038	2	38,000	-5,875	-174,941	-121,353	212,911
(paloo1000/3.58)	15039	3	38,000	-6,250	-173,371	-121,178	211,522
	15040	4	38,000	-6,625	-171,751	-120,979	210,082
	15041	5	38,000	-7,000	-170,085	-120,758	208,594
EmbeddedBeamRow\ 3\ 1	15041	1	38,000	-7,000	-170,085	-120,758	208,594
Element 3-50 (Embedded beam row)	15042	2	38,000	-7,375	-168,373	-120,515	207,058
(paloo1000/3.58)	15043	3	38,000	-7,750	-166,616	-120,250	205,478
	15044	4	38,000	-8,125	-164,818	-119,965	203,854
	15045	5	38,000	-8,500	-162,979	-119,660	202,189
EmbeddedBeamRow\ 3\ 1	15045	1	38,000	-8,500	-162,979	-119,660	202,189
Element 3-51 (Embedded beam row)	15046	2	38,000	-8,875	-161,102	-119,334	200,486
(paloo1000/3.58)	15047	3	38,000	-9,250	-159,190	-118,988	198,745
	15048	4	38,000	-9,625	-157,247	-118,623	196,972
	15049	5	38,000	-10,000	-155,270	-118,244	195,167
EmbeddedBeamRow\ 3\ 1	15049	1	38,000	-10,000	-155,270	-118,244	195,167
Element 3-52 (Embedded beam row)	15050	2	38,000	-10,333	-153,023	-118,017	193,246
(paloo1000/3.58)	15051	3	38,000	-10,667	-150,733	-117,777	191,290
	15052	4	38,000	-11,000	-148,412	-117,521	189,308
	15053	5	38,000	-11,333	-146,062	-117,253	187,302
EmbeddedBeamRow\ 3\ 1	15053	1	38,000	-11,333	-146,062	-117,253	187,302
Element 3-53 (Embedded beam row)	15054	2	38,000	-11,667	-143,686	-116,975	185,281
(paloo1000/3.58)	15055	3	38,000	-12,000	-141,290	-116,691	183,248
	15056	4	38,000	-12,333	-138,876	-116,405	181,209
	15057	5	38,000	-12,667	-136,448	-116,121	179,170
EmbeddedBeamRow\ 3\ 1	15057	1	38,000	-12,667	-136,448	-116,121	179,170
Element 3-54 (Embedded beam row)	15058	2	38,000	-13,000	-134,008	-115,840	177,136
(paloo1000/3.58)	15059	3	38,000	-13,333	-131,561	-115,565	175,110
	15060	4	38,000	-13,667	-129,108	-115,299	173,097
	15061	5	38,000	-14,000	-126,652	-115,043	171,102
EmbeddedBeamRow\ 3\ 1	15061	1	38,000	-14,000	-126,652	-115,043	171,102
Element 3-55 (Embedded beam row)	15062	2	38,000	-14,333	-124,196	-114,800	169,126
(paloo1000/3.58)	15063	3	38,000	-14,667	-121,742	-114,569	167,174
	15064	4	38,000	-15,000	-119,291	-114,353	165,248
	15065	5	38,000	-15,333	-116,843	-114,152	163,350
EmbeddedBeamRow\ 3\ 1	15065	1	38,000	-15,333	-116,843	-114,152	163,350
Element 3-56 (Embedded beam row)	15066	2	38,000	-15,667	-114,401	-113,968	161,481
(paloo1000/3.58)	15067	3	38,000	-16,000	-111,964	-113,799	159,644
	15068	4	38,000	-16,333	-109,533	-113,646	157,838
	15069	5	38,000	-16,667	-107,109	-113,509	156,066
EmbeddedBeamRow\ 3\ 1	15069	1	38,000	-16,667	-107,109	-113,509	156,066
Element 3-57 (Embedded beam row)	15070	2	38,000	-17,000	-104,692	-113,388	154,328
(paloo1000/3.58)	15071	3	38,000	-17,333	-102,281	-113,281	152,624
	15072	4	38,000	-17,667	-99,878	-113,189	150,954
	15073	5	38,000	-18,000	-97,482	-113,110	149,320
EmbeddedBeamRow\ 3\ 1	15073	1	38,000	-18,000	-97,482	-113,110	149,320
Element 3-58 (Embedded beam row)	15074	2	38,000	-18,333	-95,094	-113,043	147,721
(paloo1000/3.58)	15075	3	38,000	-18,667	-92,715	-112,985	146,157
	15076	4	38,000	-19,000	-90,345	-112,937	144,627
	15077	5	38,000	-19,333	-87,985	-112,897	143,134
EmbeddedBeamRow\ 3\ 1	15077	1	38,000	-19,333	-87,985	-112,897	143,134
Element 3-59 (Embedded beam row)	15078	2	38,000	-19,667	-85,636	-112,865	141,676
(paloo1000/3.58)	15079	3	38,000	-20,000	-83,297	-112,841	140,255
	15080	4	38,000	-20,333	-80,969	-112,824	138,871
	15081	5	38,000	-20,667	-78,652	-112,814	137,526
EmbeddedBeamRow\ 3\ 1	15081	1	38,000	-20,667	-78,652	-112,814	137,526
Element 3-60 (Embedded beam row)	15082	2	38,000	-21,000	-76,348	-112,812	136,219
(paloo1000/3.58)	15083	3	38,000	-21,333	-74,055	-112,817	134,951
	15084	4	38,000	-21,667	-71,775	-112,830	133,725
	15085	5	38,000	-22,000	-69,507	-112,851	132,539
EmbeddedBeamRow\ 3\ 1	15085	1	38,000	-22,000	-69,507	-112,851	132,539
Element 3-61 (Embedded beam row)	15086	2	38,000	-22,333	-67,253	-112,881	131,397
(paloo1000/3.58)	15087	3	38,000	-22,667	-65,013	-112,920	130,298
	15088	4	38,000	-23,000	-62,788	-112,969	129,245
	15089	5	38,000	-23,333	-60,577	-113,027	128,237
EmbeddedBeamRow\ 3\ 1	15089	1	38,000	-23,333	-60,577	-113,027	128,237
Element 3-62 (Embedded beam row)	15090	2	38,000	-23,667	-58,381	-113,097	127,276
(paloo1000/3.58)	15091	3	38,000	-24,000	-56,202	-113,177	126,364
	15092	4	38,000	-24,333	-54,038	-113,270	125,500
	15093	5	38,000	-24,667	-51,890	-113,375	124,686
EmbeddedBeamRow\ 3\ 1	15093	1	38,000	-24,667	-51,890	-113,375	124,686
Element 3-63 (Embedded beam row)	15094	2	38,000	-25,000	-49,757	-113,494	123,922
(paloo1000/3.58)	15095	3	38,000	-25,333	-47,642	-113,626	123,209
	15096	4	38,000	-25,667	-45,542	-113,771	122,547
	15097	5	38,000	-26,000	-43,464	-113,928	121,937
EmbeddedBeamRow\ 3\ 1	15097	1	38,000	-26,000	-43,464	-113,928	121,937
Element 3-64 (Embedded beam row)	15098	2	38,000	-26,500	-40,850	-114,097	121,190
(paloo1000/3.58)	15099	3	38,000	-27,000	-38,291	-114,274	120,519
	15100	4	38,000	-27,500	-35,781	-114,459	119,922
	15101	5	38,000	-28,000	-33,315	-114,653	119,395
EmbeddedBeamRow\ 3\ 1	15101	1	38,000	-28,000	-33,315	-114,653	119,395
Element 3-65 (Embedded beam row)	15102	2	38,000	-28,350	-31,499	-114,845	119,086

(paloe1000/3.58)	15103	3	38,000	-28,700	-29,697	-115,041	118,813
	15104	4	38,000	-29,050	-27,909	-115,242	118,574
	15105	5	38,000	-29,400	-26,135	-115,447	118,368
EmbeddedBeamRow\3\1	15105	1	38,000	-29,400	-26,135	-115,447	118,368
Element 3-66 (Embedded beam row)	15106	2	38,000	-29,750	-24,371	-115,655	118,195
(paloe1000/3.58)	15107	3	38,000	-30,100	-22,617	-115,867	118,054
	15108	4	38,000	-30,450	-20,870	-116,083	117,944
	15109	5	38,000	-30,800	-19,128	-116,302	117,864
EmbeddedBeamRow\3\1	15109	1	38,000	-30,800	-19,128	-116,302	117,864
Element 3-67 (Embedded beam row)	15110	2	38,000	-31,150	-17,389	-116,525	117,815
(paloe1000/3.58)	15111	3	38,000	-31,500	-15,650	-116,752	117,796
	15112	4	38,000	-31,850	-13,909	-116,982	117,806
	15113	5	38,000	-32,200	-12,163	-117,217	117,847
EmbeddedBeamRow\3\1	15113	1	38,000	-32,200	-12,163	-117,217	117,847
Element 3-68 (Embedded beam row)	15114	2	38,000	-32,550	-10,412	-117,456	117,917
(paloe1000/3.58)	15115	3	38,000	-32,900	-8,651	-117,699	118,017
	15116	4	38,000	-33,250	-6,880	-117,947	118,148
	15117	5	38,000	-33,600	-5,096	-118,200	118,310
EmbeddedBeamRow\3\1	15117	1	38,000	-33,600	-5,096	-118,200	118,310
Element 3-69 (Embedded beam row)	15118	2	38,000	-33,950	-3,297	-118,457	118,503
(paloe1000/3.58)	15119	3	38,000	-34,300	-1,483	-118,720	118,729
	15120	4	38,000	-34,650	0,349	-118,986	118,987
	15121	5	38,000	-35,000	2,199	-119,236	119,256

14.5 SLV [Phase_15] (17/157)

Structural element	Node [10 ³]	Local number	X [m]	Y [m]	u _x [10 ⁻³ m]	u _y [10 ⁻³ m]	u _z [10 ⁻³ m]
EmbeddedBeamRow\1\1	14843	1	26,000	1,500	-321,625	-69,733	329,098
Element 1-1 (Embedded beam row)	14844	2	26,000	1,325	-322,478	-70,507	330,096
(paloe1000/3.58)	14845	3	26,000	1,150	-323,349	-71,184	331,092
	14846	4	26,000	0,975	-324,226	-71,761	332,073
	14847	5	26,000	0,800	-325,111	-72,243	333,040
EmbeddedBeamRow\1\1	14847	1	26,000	0,800	-325,111	-72,243	333,040
Element 1-2 (Embedded beam row)	14848	2	26,000	0,100	-328,694	-73,422	336,795
(paloe1000/3.58)	14849	3	26,000	-0,600	-332,538	-74,360	340,751
	14850	4	26,000	-1,300	-336,468	-75,116	344,751
	14851	5	26,000	-2,000	-340,355	-75,816	348,697
EmbeddedBeamRow\1\1	14851	1	26,000	-2,000	-340,355	-75,816	348,697
Element 1-3 (Embedded beam row)	14852	2	26,000	-2,500	-343,182	-78,417	352,027
(paloe1000/3.58)	14853	3	26,000	-3,000	-345,879	-81,098	355,260
	14854	4	26,000	-3,500	-348,315	-83,782	358,250
	14855	5	26,000	-4,000	-350,356	-86,419	360,857
EmbeddedBeamRow\1\1	14855	1	26,000	-4,000	-350,356	-86,419	360,857
Element 1-4 (Embedded beam row)	14856	2	26,000	-4,500	-351,763	-85,519	362,010
(paloe1000/3.58)	14857	3	26,000	-5,000	-352,979	-84,343	362,916
	14858	4	26,000	-5,500	-354,037	-82,980	363,631
	14859	5	26,000	-6,000	-354,913	-81,451	364,140
EmbeddedBeamRow\1\1	14859	1	26,000	-6,000	-354,913	-81,451	364,140
Element 1-5 (Embedded beam row)	14860	2	26,000	-6,500	-355,580	-79,798	364,424
(paloe1000/3.58)	14861	3	26,000	-7,000	-355,993	-78,052	364,449
	14862	4	26,000	-7,500	-356,139	-76,222	364,204
	14863	5	26,000	-8,000	-355,999	-74,322	363,675
EmbeddedBeamRow\1\1	14863	1	26,000	-8,000	-355,999	-74,322	363,675
Element 1-6 (Embedded beam row)	14864	2	26,000	-8,500	-355,606	-72,395	362,900
(paloe1000/3.58)	14865	3	26,000	-9,000	-354,938	-70,465	361,865
	14866	4	26,000	-9,500	-353,922	-68,533	360,496
	14867	5	26,000	-10,000	-352,470	-66,623	358,711
EmbeddedBeamRow\1\1	14867	1	26,000	-10,000	-352,470	-66,623	358,711
Element 1-7 (Embedded beam row)	14868	2	26,000	-10,500	-349,287	-66,385	355,540
(paloe1000/3.58)	14869	3	26,000	-11,000	-345,533	-66,276	351,831
	14870	4	26,000	-11,500	-341,241	-66,283	347,619
	14871	5	26,000	-12,000	-336,428	-66,397	342,918
EmbeddedBeamRow\1\1	14871	1	26,000	-12,000	-336,428	-66,397	342,918
Element 1-8 (Embedded beam row)	14872	2	26,000	-12,500	-331,151	-66,571	337,776
(paloe1000/3.58)	14873	3	26,000	-13,000	-325,448	-66,779	332,229
	14874	4	26,000	-13,500	-319,378	-66,967	326,323
	14875	5	26,000	-14,000	-312,976	-67,101	320,088
EmbeddedBeamRow\1\1	14875	1	26,000	-14,000	-312,976	-67,101	320,088
Element 1-9 (Embedded beam row)	14876	2	26,000	-14,500	-306,259	-67,186	313,542
(paloe1000/3.58)	14877	3	26,000	-15,000	-299,239	-67,231	306,699
	14878	4	26,000	-15,500	-291,924	-67,255	299,571
	14879	5	26,000	-16,000	-284,324	-67,277	292,175
EmbeddedBeamRow\1\1	14879	1	26,000	-16,000	-284,324	-67,277	292,175
Element 1-10 (Embedded beam row)	14880	2	26,000	-16,500	-276,453	-67,308	284,529
(paloe1000/3.58)	14881	3	26,000	-17,000	-268,331	-67,356	276,656
	14882	4	26,000	-17,500	-259,975	-67,426	268,577
	14883	5	26,000	-18,000	-251,407	-67,519	260,316
EmbeddedBeamRow\1\1	14883	1	26,000	-18,000	-251,407	-67,519	260,316
Element 1-11 (Embedded beam row)	14884	2	26,000	-18,500	-242,648	-67,636	251,899
(paloe1000/3.58)	14885	3	26,000	-19,000	-233,722	-67,774	243,350
	14886	4	26,000	-19,500	-224,650	-67,930	234,696
	14887	5	26,000	-20,000	-215,456	-68,099	225,962
EmbeddedBeamRow\1\1	14887	1	26,000	-20,000	-215,456	-68,099	225,962
Element 1-12 (Embedded beam row)	14888	2	26,000	-20,500	-206,165	-68,281	217,178
(paloe1000/3.58)	14889	3	26,000	-21,000	-196,787	-68,458	208,354
	14890	4	26,000	-21,500	-187,352	-68,639	199,529
	14891	5	26,000	-22,000	-177,944	-68,872	190,807
EmbeddedBeamRow\1\1	14891	1	26,000	-22,000	-177,944	-68,872	190,807
Element 1-13 (Embedded beam row)	14892	2	26,000	-22,500	-168,762	-69,260	182,421
(paloe1000/3.58)	14893	3	26,000	-23,000	-160,116	-69,987	174,743

	14884	4	26,000	-23,500	-152,017	-70,964	167,765
	14895	5	26,000	-24,000	-144,116	-71,917	161,064
EmbeddedBeamRow\1\1	14895	1	26,000	-24,000	-144,116	-71,917	161,064
Element 1-14 (Embedded beam row)	14896	2	26,000	-24,500	-136,546	-72,881	154,779
(palø1000/3.58)	14897	3	26,000	-25,000	-129,140	-73,782	148,730
	14898	4	26,000	-25,500	-122,028	-74,666	143,059
	14899	5	26,000	-26,000	-115,335	-75,584	137,896
EmbeddedBeamRow\1\1	14899	1	26,000	-26,000	-115,335	-75,584	137,896
Element 1-15 (Embedded beam row)	14900	2	26,000	-26,500	-109,695	-76,125	133,522
(palø1000/3.58)	14901	3	26,000	-27,000	-104,137	-76,691	129,329
	14902	4	26,000	-27,500	-98,672	-77,314	125,354
	14903	5	26,000	-28,000	-93,330	-77,997	121,631
EmbeddedBeamRow\1\1	14903	1	26,000	-28,000	-93,330	-77,997	121,631
Element 1-16 (Embedded beam row)	14904	2	26,000	-28,457	-88,229	-78,835	118,318
(palø1000/3.58)	14905	3	26,000	-28,914	-83,216	-79,716	115,237
	14906	4	26,000	-29,371	-78,291	-80,631	112,387
	14907	5	26,000	-29,828	-73,447	-81,573	109,767
EmbeddedBeamRow\1\1	14907	1	26,000	-29,828	-73,447	-81,573	109,767
Element 1-17 (Embedded beam row)	14908	2	26,000	-31,121	-60,086	-84,350	103,562
(palø1000/3.58)	14909	3	26,000	-32,414	-46,990	-87,245	99,095
	14910	4	26,000	-33,707	-33,867	-90,223	96,370
	14911	5	26,000	-35,000	-20,485	-93,240	95,464
EmbeddedBeamRow\2\1	14912	1	32,000	1,500	-336,969	-78,184	345,920
Element 2-18 (Embedded beam row)	14913	2	32,000	1,290	-336,770	-78,621	345,825
(palø1000/3.58)	14914	3	32,000	1,079	-336,553	-78,976	345,695
	14915	4	32,000	0,869	-336,343	-79,267	345,557
	14916	5	32,000	0,658	-336,161	-79,540	345,443
EmbeddedBeamRow\2\1	14916	1	32,000	0,658	-336,161	-79,540	345,443
Element 2-19 (Embedded beam row)	14917	2	32,000	0,375	-335,954	-79,902	345,325
(palø1000/3.58)	14918	3	32,000	0,092	-335,779	-80,254	345,237
	14919	4	32,000	-0,192	-335,627	-80,596	345,168
	14920	5	32,000	-0,475	-335,485	-80,927	345,108
EmbeddedBeamRow\2\1	14920	1	32,000	-0,475	-335,485	-80,927	345,108
Element 2-20 (Embedded beam row)	14921	2	32,000	-0,856	-335,293	-81,359	345,023
(palø1000/3.58)	14922	3	32,000	-1,237	-335,082	-81,765	344,914
	14923	4	32,000	-1,619	-334,824	-82,165	344,758
	14924	5	32,000	-2,000	-334,531	-82,645	344,589
EmbeddedBeamRow\2\1	14924	1	32,000	-2,000	-334,531	-82,645	344,589
Element 2-21 (Embedded beam row)	14925	2	32,000	-2,500	-334,977	-84,989	345,590
(palø1000/3.58)	14926	3	32,000	-3,000	-335,258	-87,359	346,452
	14927	4	32,000	-3,500	-335,308	-89,673	347,092
	14928	5	32,000	-4,000	-335,106	-91,872	347,472
EmbeddedBeamRow\2\1	14928	1	32,000	-4,000	-335,106	-91,872	347,472
Element 2-22 (Embedded beam row)	14929	2	32,000	-4,375	-334,362	-91,593	346,680
(palø1000/3.58)	14930	3	32,000	-4,750	-333,547	-91,187	345,787
	14931	4	32,000	-5,125	-332,663	-90,712	344,809
	14932	5	32,000	-5,500	-331,701	-90,177	343,741
EmbeddedBeamRow\2\1	14932	1	32,000	-5,500	-331,701	-90,177	343,741
Element 2-23 (Embedded beam row)	14933	2	32,000	-5,875	-330,660	-89,583	342,581
(palø1000/3.58)	14934	3	32,000	-6,250	-329,534	-88,934	341,324
	14935	4	32,000	-6,625	-328,319	-88,235	339,969
	14936	5	32,000	-7,000	-327,011	-87,488	338,512
EmbeddedBeamRow\2\1	14936	1	32,000	-7,000	-327,011	-87,488	338,512
Element 2-24 (Embedded beam row)	14937	2	32,000	-7,375	-325,607	-86,695	336,951
(palø1000/3.58)	14938	3	32,000	-7,750	-324,105	-85,858	335,284
	14939	4	32,000	-8,125	-322,500	-84,982	333,509
	14940	5	32,000	-8,500	-320,790	-84,068	331,623
EmbeddedBeamRow\2\1	14940	1	32,000	-8,500	-320,790	-84,068	331,623
Element 2-25 (Embedded beam row)	14941	2	32,000	-8,875	-318,972	-83,121	329,625
(palø1000/3.58)	14942	3	32,000	-9,250	-317,043	-82,142	327,511
	14943	4	32,000	-9,625	-315,001	-81,132	325,282
	14944	5	32,000	-10,000	-312,840	-80,108	322,933
EmbeddedBeamRow\2\1	14944	1	32,000	-10,000	-312,840	-80,108	322,933
Element 2-26 (Embedded beam row)	14945	2	32,000	-10,333	-310,413	-79,631	320,464
(palø1000/3.58)	14946	3	32,000	-10,667	-307,839	-79,144	317,850
	14947	4	32,000	-11,000	-305,126	-78,641	315,097
	14948	5	32,000	-11,333	-302,275	-78,121	312,207
EmbeddedBeamRow\2\1	14948	1	32,000	-11,333	-302,275	-78,121	312,207
Element 2-27 (Embedded beam row)	14949	2	32,000	-11,667	-299,289	-77,590	309,183
(palø1000/3.58)	14950	3	32,000	-12,000	-296,171	-77,050	306,029
	14951	4	32,000	-12,333	-292,924	-76,505	302,750
	14952	5	32,000	-12,667	-289,552	-75,959	299,350
EmbeddedBeamRow\2\1	14952	1	32,000	-12,667	-289,552	-75,959	299,350
Element 2-28 (Embedded beam row)	14953	2	32,000	-13,000	-286,058	-75,415	295,832
(palø1000/3.58)	14954	3	32,000	-13,333	-282,446	-74,877	292,202
	14955	4	32,000	-13,667	-278,719	-74,346	288,464
	14956	5	32,000	-14,000	-274,882	-73,826	284,624
EmbeddedBeamRow\2\1	14956	1	32,000	-14,000	-274,882	-73,826	284,624
Element 2-29 (Embedded beam row)	14957	2	32,000	-14,333	-270,939	-73,319	280,684
(palø1000/3.58)	14958	3	32,000	-14,667	-266,896	-72,826	276,653
	14959	4	32,000	-15,000	-262,757	-72,352	272,537
	14960	5	32,000	-15,333	-258,528	-71,899	268,340
EmbeddedBeamRow\2\1	14960	1	32,000	-15,333	-258,528	-71,899	268,340
Element 2-30 (Embedded beam row)	14961	2	32,000	-15,667	-254,215	-71,471	264,071
(palø1000/3.58)	14962	3	32,000	-16,000	-249,824	-71,071	259,736
	14963	4	32,000	-16,333	-245,361	-70,703	255,345
	14964	5	32,000	-16,667	-240,835	-70,371	250,906
EmbeddedBeamRow\2\1	14964	1	32,000	-16,667	-240,835	-70,371	250,906
Element 2-31 (Embedded beam row)	14965	2	32,000	-17,000	-236,255	-70,080	246,429
(palø1000/3.58)	14966	3	32,000	-17,333	-231,628	-69,833	241,926
	14967	4	32,000	-17,667	-226,963	-69,635	237,406

	14968		5	32,000	-18,000	-222,271	-69,488	232,880
EmbeddedBeamRow\ 2\ 1	14968	1	32,000	-18,000	-222,271	-69,488	232,880	
Element 2-32 (Embedded beam row)	14969	2	32,000	-18,333	-217,558	-69,396	228,358	
(palø1000/3.58)	14970	3	32,000	-18,667	-212,831	-69,360	223,848	
	14971	4	32,000	-19,000	-208,098	-69,380	219,359	
	14972	5	32,000	-19,333	-203,364	-69,454	214,897	
EmbeddedBeamRow\ 2\ 1	14972	1	32,000	-19,333	-203,364	-69,454	214,897	
Element 2-33 (Embedded beam row)	14973	2	32,000	-19,667	-198,629	-69,581	210,464	
(palø1000/3.58)	14974	3	32,000	-20,000	-193,898	-69,758	206,064	
	14975	4	32,000	-20,333	-189,173	-69,979	201,702	
	14976	5	32,000	-20,667	-184,457	-70,241	197,378	
EmbeddedBeamRow\ 2\ 1	14976	1	32,000	-20,667	-184,457	-70,241	197,378	
Element 2-34 (Embedded beam row)	14977	2	32,000	-21,000	-179,749	-70,540	193,095	
(palø1000/3.58)	14978	3	32,000	-21,333	-175,053	-70,874	188,856	
	14979	4	32,000	-21,667	-170,369	-71,238	184,663	
	14980	5	32,000	-22,000	-165,702	-71,629	180,521	
EmbeddedBeamRow\ 2\ 1	14980	1	32,000	-22,000	-165,702	-71,629	180,521	
Element 2-35 (Embedded beam row)	14981	2	32,000	-22,333	-161,054	-72,043	176,433	
(palø1000/3.58)	14982	3	32,000	-22,667	-156,428	-72,478	172,403	
	14983	4	32,000	-23,000	-151,829	-72,931	168,437	
	14984	5	32,000	-23,333	-147,259	-73,400	164,538	
EmbeddedBeamRow\ 2\ 1	14984	1	32,000	-23,333	-147,259	-73,400	164,538	
Element 2-36 (Embedded beam row)	14985	2	32,000	-23,667	-142,722	-73,883	160,712	
(palø1000/3.58)	14986	3	32,000	-24,000	-138,221	-74,378	156,962	
	14987	4	32,000	-24,333	-133,759	-74,883	153,294	
	14988	5	32,000	-24,667	-129,338	-75,395	149,709	
EmbeddedBeamRow\ 2\ 1	14988	1	32,000	-24,667	-129,338	-75,395	149,709	
Element 2-37 (Embedded beam row)	14989	2	32,000	-25,000	-124,958	-75,910	146,208	
(palø1000/3.58)	14990	3	32,000	-25,333	-120,618	-76,424	142,791	
	14991	4	32,000	-25,667	-116,321	-76,933	139,461	
	14992	5	32,000	-26,000	-112,080	-77,429	136,225	
EmbeddedBeamRow\ 2\ 1	14992	1	32,000	-26,000	-112,080	-77,429	136,225	
Element 2-38 (Embedded beam row)	14993	2	32,000	-26,500	-106,440	-77,831	131,861	
(palø1000/3.58)	14994	3	32,000	-27,000	-100,972	-78,224	127,727	
	14995	4	32,000	-27,500	-95,653	-78,616	123,814	
	14996	5	32,000	-28,000	-90,467	-79,012	120,113	
EmbeddedBeamRow\ 2\ 1	14996	1	32,000	-28,000	-90,467	-79,012	120,113	
Element 2-39 (Embedded beam row)	14997	2	32,000	-28,350	-86,765	-79,372	117,593	
(palø1000/3.58)	14998	3	32,000	-28,700	-83,111	-79,737	115,176	
	14999	4	32,000	-29,050	-79,501	-80,106	112,860	
	15000	5	32,000	-29,400	-75,930	-80,477	110,644	
EmbeddedBeamRow\ 2\ 1	15000	1	32,000	-29,400	-75,930	-80,477	110,644	
Element 2-40 (Embedded beam row)	15001	2	32,000	-29,750	-72,393	-80,853	108,526	
(palø1000/3.58)	15002	3	32,000	-30,100	-68,883	-81,233	106,507	
	15003	4	32,000	-30,450	-65,397	-81,618	104,586	
	15004	5	32,000	-30,800	-61,928	-82,008	102,764	
EmbeddedBeamRow\ 2\ 1	15004	1	32,000	-30,800	-61,928	-82,008	102,764	
Element 2-41 (Embedded beam row)	15005	2	32,000	-31,150	-58,473	-82,403	101,042	
(palø1000/3.58)	15006	3	32,000	-31,500	-55,026	-82,804	99,420	
	15007	4	32,000	-31,850	-51,582	-83,211	97,902	
	15008	5	32,000	-32,200	-48,138	-83,624	96,489	
EmbeddedBeamRow\ 2\ 1	15008	1	32,000	-32,200	-48,138	-83,624	96,489	
Element 2-42 (Embedded beam row)	15009	2	32,000	-32,550	-44,687	-84,043	95,185	
(palø1000/3.58)	15010	3	32,000	-32,900	-41,228	-84,468	93,993	
	15011	4	32,000	-33,250	-37,756	-84,900	92,917	
	15012	5	32,000	-33,600	-34,267	-85,339	91,962	
EmbeddedBeamRow\ 2\ 1	15012	1	32,000	-33,600	-34,267	-85,339	91,962	
Element 2-43 (Embedded beam row)	15013	2	32,000	-33,950	-30,759	-85,783	91,131	
(palø1000/3.58)	15014	3	32,000	-34,300	-27,230	-86,236	90,433	
	15015	4	32,000	-34,650	-23,677	-86,692	89,867	
	15016	5	32,000	-35,000	-20,099	-87,119	89,407	
EmbeddedBeamRow\ 3\ 1	15017	1	38,000	1,500	-340,254	-68,778	347,136	
Element 3-44 (Embedded beam row)	15018	2	38,000	1,290	-340,006	-68,983	346,933	
(palø1000/3.58)	15019	3	38,000	1,079	-339,760	-69,191	346,734	
	15020	4	38,000	0,869	-339,513	-69,402	346,534	
	15021	5	38,000	0,658	-339,261	-69,612	346,329	
EmbeddedBeamRow\ 3\ 1	15021	1	38,000	0,658	-339,261	-69,612	346,329	
Element 3-45 (Embedded beam row)	15022	2	38,000	0,375	-338,913	-69,892	346,044	
(palø1000/3.58)	15023	3	38,000	0,092	-338,554	-70,165	345,748	
	15024	4	38,000	-0,192	-338,183	-70,430	345,439	
	15025	5	38,000	-0,475	-337,799	-70,688	345,116	
EmbeddedBeamRow\ 3\ 1	15025	1	38,000	-0,475	-337,799	-70,688	345,116	
Element 3-46 (Embedded beam row)	15026	2	38,000	-0,856	-337,261	-71,024	344,658	
(palø1000/3.58)	15027	3	38,000	-1,237	-336,694	-71,346	344,171	
	15028	4	38,000	-1,619	-336,096	-71,671	343,653	
	15029	5	38,000	-2,000	-335,458	-72,067	343,112	
EmbeddedBeamRow\ 3\ 1	15029	1	38,000	-2,000	-335,458	-72,067	343,112	
Element 3-47 (Embedded beam row)	15030	2	38,000	-2,500	-334,504	-73,850	342,559	
(palø1000/3.58)	15031	3	38,000	-3,000	-333,094	-75,663	341,580	
	15032	4	38,000	-3,500	-331,146	-77,400	340,072	
	15033	5	38,000	-4,000	-328,715	-78,990	338,073	
EmbeddedBeamRow\ 3\ 1	15033	1	38,000	-4,000	-328,715	-78,990	338,073	
Element 3-48 (Embedded beam row)	15034	2	38,000	-4,375	-327,309	-79,012	336,710	
(palø1000/3.58)	15035	3	38,000	-4,750	-325,829	-78,969	335,262	
	15036	4	38,000	-5,125	-324,264	-78,890	333,723	
	15037	5	38,000	-5,500	-322,612	-78,778	332,091	
EmbeddedBeamRow\ 3\ 1	15037	1	38,000	-5,500	-322,612	-78,778	332,091	
Element 3-49 (Embedded beam row)	15038	2	38,000	-5,875	-320,877	-78,637	330,372	
(palø1000/3.58)	15039	3	38,000	-6,250	-319,059	-78,469	328,566	
	15040	4	38,000	-6,625	-317,156	-78,277	326,673	
	15041	5	38,000	-7,000	-315,167	-78,062	324,691	

EmbeddedBeamRow\3_1	15041	1	38,000	-7,000	-315,167	-78,062	324,691
Element 3-50 (Embedded beam row)	15042	2	38,000	-7,375	-313,091	-77,825	322,618
(paloo1000/3.58)	15043	3	38,000	-7,750	-310,924	-77,567	320,453
	15044	4	38,000	-8,125	-308,664	-77,289	318,194
	15045	5	38,000	-8,500	-306,311	-76,989	315,839
EmbeddedBeamRow\3_1	15045	1	38,000	-8,500	-306,311	-76,989	315,839
Element 3-51 (Embedded beam row)	15046	2	38,000	-8,875	-303,864	-76,668	313,387
(paloo1000/3.58)	15047	3	38,000	-9,250	-301,321	-76,328	310,838
	15048	4	38,000	-9,625	-298,683	-75,968	308,193
	15049	5	38,000	-10,000	-295,946	-75,593	305,448
EmbeddedBeamRow\3_1	15049	1	38,000	-10,000	-295,946	-75,593	305,448
Element 3-52 (Embedded beam row)	15050	2	38,000	-10,333	-292,968	-75,370	302,508
(paloo1000/3.58)	15051	3	38,000	-10,667	-289,893	-75,133	299,471
	15052	4	38,000	-11,000	-286,734	-74,881	296,351
	15053	5	38,000	-11,333	-283,492	-74,616	293,147
EmbeddedBeamRow\3_1	15053	1	38,000	-11,333	-283,492	-74,616	293,147
Element 3-53 (Embedded beam row)	15054	2	38,000	-11,667	-280,170	-74,341	289,865
(paloo1000/3.58)	15055	3	38,000	-12,000	-276,773	-74,061	286,511
	15056	4	38,000	-12,333	-273,305	-73,778	283,087
	15057	5	38,000	-12,667	-269,768	-73,496	279,600
EmbeddedBeamRow\3_1	15057	1	38,000	-12,667	-269,768	-73,496	279,600
Element 3-54 (Embedded beam row)	15058	2	38,000	-13,000	-266,167	-73,217	276,054
(paloo1000/3.58)	15059	3	38,000	-13,333	-262,505	-72,945	272,452
	15060	4	38,000	-13,667	-258,786	-72,681	268,798
	15061	5	38,000	-14,000	-255,012	-72,427	265,098
EmbeddedBeamRow\3_1	15061	1	38,000	-14,000	-255,012	-72,427	265,098
Element 3-55 (Embedded beam row)	15062	2	38,000	-14,333	-251,187	-72,185	261,354
(paloo1000/3.58)	15063	3	38,000	-14,667	-247,315	-71,956	257,570
	15064	4	38,000	-15,000	-243,397	-71,742	253,750
	15065	5	38,000	-15,333	-239,436	-71,542	249,896
EmbeddedBeamRow\3_1	15065	1	38,000	-15,333	-239,436	-71,542	249,896
Element 3-56 (Embedded beam row)	15066	2	38,000	-15,667	-235,434	-71,358	246,011
(paloo1000/3.58)	15067	3	38,000	-16,000	-231,393	-71,190	242,097
	15068	4	38,000	-16,333	-227,316	-71,038	238,157
	15069	5	38,000	-16,667	-223,204	-70,901	234,194
EmbeddedBeamRow\3_1	15069	1	38,000	-16,667	-223,204	-70,901	234,194
Element 3-57 (Embedded beam row)	15070	2	38,000	-17,000	-219,060	-70,779	230,210
(paloo1000/3.58)	15071	3	38,000	-17,333	-214,885	-70,672	226,208
	15072	4	38,000	-17,667	-210,681	-70,579	222,189
	15073	5	38,000	-18,000	-206,452	-70,500	218,158
EmbeddedBeamRow\3_1	15073	1	38,000	-18,000	-206,452	-70,500	218,158
Element 3-58 (Embedded beam row)	15074	2	38,000	-18,333	-202,200	-70,431	214,116
(paloo1000/3.58)	15075	3	38,000	-18,667	-197,928	-70,373	210,066
	15076	4	38,000	-19,000	-193,640	-70,322	206,014
	15077	5	38,000	-19,333	-189,337	-70,281	201,960
EmbeddedBeamRow\3_1	15077	1	38,000	-19,333	-189,337	-70,281	201,960
Element 3-59 (Embedded beam row)	15078	2	38,000	-19,667	-185,023	-70,247	197,910
(paloo1000/3.58)	15079	3	38,000	-20,000	-180,702	-70,220	193,866
	15080	4	38,000	-20,333	-176,376	-70,200	189,833
	15081	5	38,000	-20,667	-172,048	-70,188	185,814
EmbeddedBeamRow\3_1	15081	1	38,000	-20,667	-172,048	-70,188	185,814
Element 3-60 (Embedded beam row)	15082	2	38,000	-21,000	-167,722	-70,183	181,814
(paloo1000/3.58)	15083	3	38,000	-21,333	-163,400	-70,185	177,836
	15084	4	38,000	-21,667	-159,087	-70,194	173,885
	15085	5	38,000	-22,000	-154,785	-70,212	169,965
EmbeddedBeamRow\3_1	15085	1	38,000	-22,000	-154,785	-70,212	169,965
Element 3-61 (Embedded beam row)	15086	2	38,000	-22,333	-150,498	-70,238	166,081
(paloo1000/3.58)	15087	3	38,000	-22,667	-146,229	-70,273	162,238
	15088	4	38,000	-23,000	-141,981	-70,318	158,440
	15089	5	38,000	-23,333	-137,759	-70,373	154,692
EmbeddedBeamRow\3_1	15089	1	38,000	-23,333	-137,759	-70,373	154,692
Element 3-62 (Embedded beam row)	15090	2	38,000	-23,667	-133,563	-70,438	150,999
(paloo1000/3.58)	15091	3	38,000	-24,000	-129,398	-70,515	147,365
	15092	4	38,000	-24,333	-125,267	-70,603	143,794
	15093	5	38,000	-24,667	-121,171	-70,705	140,291
EmbeddedBeamRow\3_1	15093	1	38,000	-24,667	-121,171	-70,705	140,291
Element 3-63 (Embedded beam row)	15094	2	38,000	-25,000	-117,111	-70,819	136,859
(paloo1000/3.58)	15095	3	38,000	-25,333	-113,092	-70,947	133,504
	15096	4	38,000	-25,667	-109,113	-71,089	130,228
	15097	5	38,000	-26,000	-105,182	-71,242	127,039
EmbeddedBeamRow\3_1	15097	1	38,000	-26,000	-105,182	-71,242	127,039
Element 3-64 (Embedded beam row)	15098	2	38,000	-26,500	-99,839	-71,407	122,747
(paloo1000/3.58)	15099	3	38,000	-27,000	-94,612	-71,580	118,638
	15100	4	38,000	-27,500	-89,494	-71,760	114,711
	15101	5	38,000	-28,000	-84,479	-71,950	110,966
EmbeddedBeamRow\3_1	15101	1	38,000	-28,000	-84,479	-71,950	110,966
Element 3-65 (Embedded beam row)	15102	2	38,000	-28,350	-80,910	-72,138	108,399
(paloo1000/3.58)	15103	3	38,000	-28,700	-77,380	-72,333	105,923
	15104	4	38,000	-29,050	-73,888	-72,531	103,539
	15105	5	38,000	-29,400	-70,430	-72,733	101,245
EmbeddedBeamRow\3_1	15105	1	38,000	-29,400	-70,430	-72,733	101,245
Element 3-66 (Embedded beam row)	15106	2	38,000	-29,750	-67,002	-72,939	99,043
(paloo1000/3.58)	15107	3	38,000	-30,100	-63,601	-73,149	96,932
	15108	4	38,000	-30,450	-60,222	-73,363	94,914
	15109	5	38,000	-30,800	-56,862	-73,580	92,990
EmbeddedBeamRow\3_1	15109	1	38,000	-30,800	-56,862	-73,580	92,990
Element 3-67 (Embedded beam row)	15110	2	38,000	-31,150	-53,515	-73,801	91,162
(paloo1000/3.58)	15111	3	38,000	-31,500	-50,179	-74,026	89,431
	15112	4	38,000	-31,850	-46,850	-74,256	87,800
	15113	5	38,000	-32,200	-43,523	-74,489	86,272
EmbeddedBeamRow\3_1	15113	1	38,000	-32,200	-43,523	-74,489	86,272

Element 3-68 (Embedded beam row)	15114	2	38,000	-32,550	-40,195	-74,727	84,851
(palow1000/3.58)	15115	3	38,000	-32,900	-36,862	-74,969	83,542
	15116	4	38,000	-33,250	-33,522	-75,216	82,348
	15117	5	38,000	-33,600	-30,170	-75,468	81,275
EmbeddedBeamRow\ 3_1	15117	1	38,000	-33,600	-30,170	-75,468	81,275
Element 3-69 (Embedded beam row)	15118	2	38,000	-33,950	-26,806	-75,724	80,329
(palow1000/3.58)	15119	3	38,000	-34,300	-23,426	-75,987	79,516
	15120	4	38,000	-34,650	-20,029	-76,253	78,839
	15121	5	38,000	-35,000	-16,614	-76,503	78,286

14.6 SLD [Phase_17] (18/172)

Structural element	Node [10 ³]	Local number	X [m]	Y [m]	u _x [10 ⁻³ m]	u _y [10 ⁻³ m]	u [10 ⁻³ m]
EmbeddedBeamRow_1_1	14843	1	26,000	1,500	-185,652	-39,360	189,778
Element 1-1 (Embedded beam row)	14844	2	26,000	1,325	-186,642	-40,134	190,908
(palow1000/3.58)	14845	3	26,000	1,150	-187,647	-40,813	192,034
	14846	4	26,000	0,975	-188,656	-41,391	193,144
	14847	5	26,000	0,800	-189,672	-41,874	194,239
EmbeddedBeamRow_1_1	14847	1	26,000	0,800	-189,672	-41,874	194,239
Element 1-2 (Embedded beam row)	14848	2	26,000	0,100	-193,772	-43,059	198,498
(palow1000/3.58)	14849	3	26,000	-0,600	-198,130	-44,001	202,957
	14850	4	26,000	-1,300	-202,588	-44,763	207,475
	14851	5	26,000	-2,000	-207,031	-45,468	211,965
EmbeddedBeamRow_1_1	14851	1	26,000	-2,000	-207,031	-45,468	211,965
Element 1-3 (Embedded beam row)	14852	2	26,000	-2,500	-210,278	-48,073	215,703
(palow1000/3.58)	14853	3	26,000	-3,000	-213,422	-50,759	219,375
	14854	4	26,000	-3,500	-216,334	-53,447	222,838
	14855	5	26,000	-4,000	-218,885	-56,087	225,957
EmbeddedBeamRow_1_1	14855	1	26,000	-4,000	-218,885	-56,087	225,957
Element 1-4 (Embedded beam row)	14856	2	26,000	-4,500	-220,841	-55,192	227,633
(palow1000/3.58)	14857	3	26,000	-5,000	-222,649	-54,019	229,109
	14858	4	26,000	-5,500	-224,346	-52,660	230,444
	14859	5	26,000	-6,000	-225,913	-51,136	231,628
EmbeddedBeamRow_1_1	14859	1	26,000	-6,000	-225,913	-51,136	231,628
Element 1-5 (Embedded beam row)	14860	2	26,000	-6,500	-227,325	-49,486	232,649
(palow1000/3.58)	14861	3	26,000	-7,000	-228,543	-47,744	233,477
	14862	4	26,000	-7,500	-229,557	-45,919	234,105
	14863	5	26,000	-8,000	-230,353	-44,023	234,522
EmbeddedBeamRow_1_1	14863	1	26,000	-8,000	-230,353	-44,023	234,522
Element 1-6 (Embedded beam row)	14864	2	26,000	-8,500	-230,966	-42,100	234,771
(palow1000/3.58)	14865	3	26,000	-9,000	-231,378	-40,173	234,840
	14866	4	26,000	-9,500	-231,518	-38,246	234,656
	14867	5	26,000	-10,000	-231,304	-36,340	234,141
EmbeddedBeamRow_1_1	14867	1	26,000	-10,000	-231,304	-36,340	234,141
Element 1-7 (Embedded beam row)	14868	2	26,000	-10,500	-229,441	-36,107	232,265
(palow1000/3.58)	14869	3	26,000	-11,000	-227,090	-36,002	229,926
	14870	4	26,000	-11,500	-224,289	-36,014	227,162
	14871	5	26,000	-12,000	-221,054	-36,133	223,988
EmbeddedBeamRow_1_1	14871	1	26,000	-12,000	-221,054	-36,133	223,988
Element 1-8 (Embedded beam row)	14872	2	26,000	-12,500	-217,443	-36,311	220,454
(palow1000/3.58)	14873	3	26,000	-13,000	-213,497	-36,523	216,599
	14874	4	26,000	-13,500	-209,274	-36,717	212,470
	14875	5	26,000	-14,000	-204,811	-36,855	208,101
EmbeddedBeamRow_1_1	14875	1	26,000	-14,000	-204,811	-36,855	208,101
Element 1-9 (Embedded beam row)	14876	2	26,000	-14,500	-200,124	-36,945	203,506
(palow1000/3.58)	14877	3	26,000	-15,000	-195,226	-36,995	198,700
	14878	4	26,000	-15,500	-190,122	-37,024	193,693
	14879	5	26,000	-16,000	-184,823	-37,051	188,500
EmbeddedBeamRow_1_1	14879	1	26,000	-16,000	-184,823	-37,051	188,500
Element 1-10 (Embedded beam row)	14880	2	26,000	-16,500	-179,342	-37,087	183,136
(palow1000/3.58)	14881	3	26,000	-17,000	-173,694	-37,140	177,620
	14882	4	26,000	-17,500	-167,896	-37,214	171,971
	14883	5	26,000	-18,000	-161,966	-37,313	166,209
EmbeddedBeamRow_1_1	14883	1	26,000	-18,000	-161,966	-37,313	166,209
Element 1-11 (Embedded beam row)	14884	2	26,000	-18,500	-155,923	-37,434	160,353
(palow1000/3.58)	14885	3	26,000	-19,000	-149,783	-37,578	154,425
	14886	4	26,000	-19,500	-143,566	-37,739	148,444
	14887	5	26,000	-20,000	-137,289	-37,913	142,428
EmbeddedBeamRow_1_1	14887	1	26,000	-20,000	-137,289	-37,913	142,428
Element 1-12 (Embedded beam row)	14888	2	26,000	-20,500	-130,969	-38,100	136,398
(palow1000/3.58)	14889	3	26,000	-21,000	-124,612	-38,282	130,359
	14890	4	26,000	-21,500	-118,237	-38,469	124,338
	14891	5	26,000	-22,000	-111,922	-38,706	118,426
EmbeddedBeamRow_1_1	14891	1	26,000	-22,000	-111,922	-38,706	118,426
Element 1-13 (Embedded beam row)	14892	2	26,000	-22,500	-105,852	-39,100	112,843
(palow1000/3.58)	14893	3	26,000	-23,000	-100,329	-39,832	107,947
	14894	4	26,000	-23,500	-95,352	-40,814	103,720
	14895	5	26,000	-24,000	-90,558	-41,772	99,728
EmbeddedBeamRow_1_1	14895	1	26,000	-24,000	-90,558	-41,772	99,728
Element 1-14 (Embedded beam row)	14896	2	26,000	-24,500	-86,067	-42,741	96,095
(palow1000/3.58)	14897	3	26,000	-25,000	-81,700	-43,646	92,627
	14898	4	26,000	-25,500	-77,575	-44,534	89,449
	14899	5	26,000	-26,000	-73,806	-45,456	86,681
EmbeddedBeamRow_1_1	14899	1	26,000	-26,000	-73,806	-45,456	86,681
Element 1-15 (Embedded beam row)	14900	2	26,000	-26,500	-71,019	-45,999	84,615
(palow1000/3.58)	14901	3	26,000	-27,000	-68,238	-46,567	82,613
	14902	4	26,000	-27,500	-65,472	-47,192	80,707
	14903	5	26,000	-28,000	-62,751	-47,877	78,930
EmbeddedBeamRow_1_1	14903	1	26,000	-28,000	-62,751	-47,877	78,930
Element 1-16 (Embedded beam row)	14904	2	26,000	-28,457	-59,982	-48,716	77,273

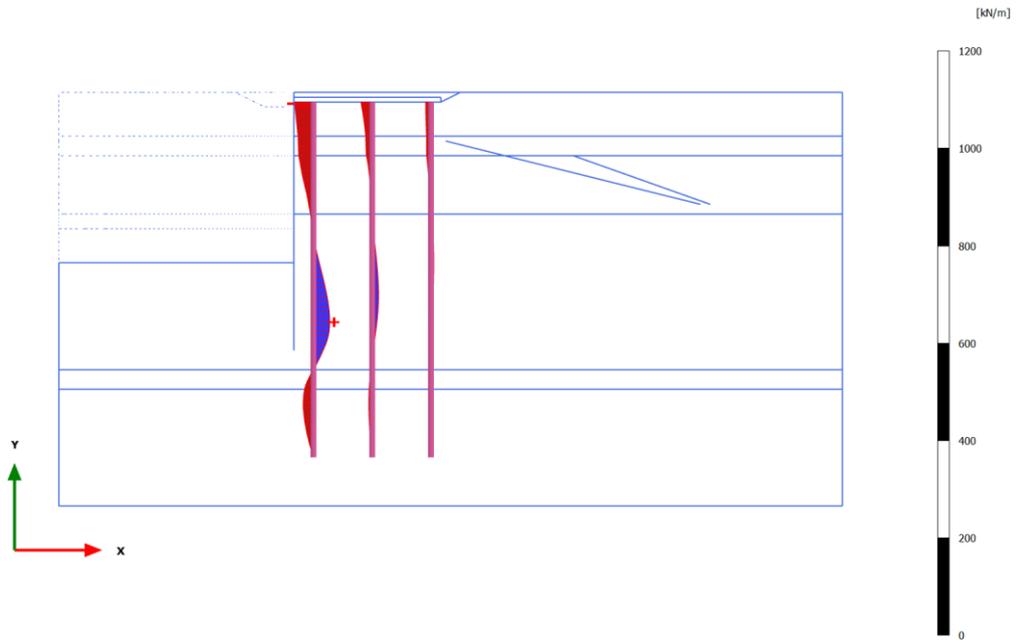
(paloo1000/3.58)	14905	3	26,000	-28,914	-57,241	-49,599	75,740
	14906	4	26,000	-29,371	-54,533	-50,516	74,335
	14907	5	26,000	-29,828	-51,855	-51,459	73,055
EmbeddedBeamRow\ 1\ 1	14907	1	26,000	-29,828	-51,855	-51,459	73,055
Element 1-17 (Embedded beam row)	14908	2	26,000	-31,121	-44,386	-54,238	70,085
(paloo1000/3.58)	14909	3	26,000	-32,414	-36,936	-57,136	68,035
	14910	4	26,000	-33,707	-29,330	-60,115	66,888
	14911	5	26,000	-35,000	-21,426	-63,132	66,668
EmbeddedBeamRow\ 2\ 1	14912	1	32,000	1,500	-200,998	-52,151	207,653
Element 2-18 (Embedded beam row)	14913	2	32,000	1,290	-200,936	-52,588	207,704
(paloo1000/3.58)	14914	3	32,000	1,079	-200,858	-52,943	207,718
	14915	4	32,000	0,869	-200,787	-53,235	207,724
	14916	5	32,000	0,658	-200,746	-53,508	207,755
EmbeddedBeamRow\ 2\ 1	14916	1	32,000	0,658	-200,746	-53,508	207,755
Element 2-19 (Embedded beam row)	14917	2	32,000	0,375	-200,732	-53,870	207,835
(paloo1000/3.58)	14918	3	32,000	0,092	-200,754	-54,223	207,948
	14919	4	32,000	-0,192	-200,804	-54,566	208,086
	14920	5	32,000	-0,475	-200,871	-54,898	208,238
EmbeddedBeamRow\ 2\ 1	14920	1	32,000	-0,475	-200,871	-54,898	208,238
Element 2-20 (Embedded beam row)	14921	2	32,000	-0,856	-200,970	-55,330	208,447
(paloo1000/3.58)	14922	3	32,000	-1,237	-201,064	-55,737	208,646
	14923	4	32,000	-1,619	-201,127	-56,138	208,814
	14924	5	32,000	-2,000	-201,171	-56,619	208,987
EmbeddedBeamRow\ 2\ 1	14924	1	32,000	-2,000	-201,171	-56,619	208,987
Element 2-21 (Embedded beam row)	14925	2	32,000	-2,500	-202,089	-58,963	210,515
(paloo1000/3.58)	14926	3	32,000	-3,000	-202,877	-61,335	211,945
	14927	4	32,000	-3,500	-203,473	-63,651	213,197
	14928	5	32,000	-4,000	-203,860	-65,851	214,232
EmbeddedBeamRow\ 2\ 1	14928	1	32,000	-4,000	-203,860	-65,851	214,232
Element 2-22 (Embedded beam row)	14929	2	32,000	-4,375	-203,586	-65,573	213,886
(paloo1000/3.58)	14930	3	32,000	-4,750	-203,270	-65,168	213,461
	14931	4	32,000	-5,125	-202,912	-64,694	212,976
	14932	5	32,000	-5,500	-202,508	-64,160	212,429
EmbeddedBeamRow\ 2\ 1	14932	1	32,000	-5,500	-202,508	-64,160	212,429
Element 2-23 (Embedded beam row)	14933	2	32,000	-5,875	-202,056	-63,567	211,819
(paloo1000/3.58)	14934	3	32,000	-6,250	-201,552	-62,920	211,145
	14935	4	32,000	-6,625	-200,995	-62,221	210,405
	14936	5	32,000	-7,000	-200,381	-61,476	209,599
EmbeddedBeamRow\ 2\ 1	14936	1	32,000	-7,000	-200,381	-61,476	209,599
Element 2-24 (Embedded beam row)	14937	2	32,000	-7,375	-199,710	-60,684	208,727
(paloo1000/3.58)	14938	3	32,000	-7,750	-198,982	-59,849	207,787
	14939	4	32,000	-8,125	-198,192	-58,974	206,780
	14940	5	32,000	-8,500	-197,341	-58,063	205,705
EmbeddedBeamRow\ 2\ 1	14940	1	32,000	-8,500	-197,341	-58,063	205,705
Element 2-25 (Embedded beam row)	14941	2	32,000	-8,875	-196,426	-57,117	204,562
(paloo1000/3.58)	14942	3	32,000	-9,250	-195,446	-56,140	203,349
	14943	4	32,000	-9,625	-194,401	-55,133	202,068
	14944	5	32,000	-10,000	-193,285	-54,111	200,716
EmbeddedBeamRow\ 2\ 1	14944	1	32,000	-10,000	-193,285	-54,111	200,716
Element 2-26 (Embedded beam row)	14945	2	32,000	-10,333	-191,827	-53,636	199,185
(paloo1000/3.58)	14946	3	32,000	-10,667	-190,262	-53,152	197,546
	14947	4	32,000	-11,000	-188,596	-52,651	195,807
	14948	5	32,000	-11,333	-186,831	-52,133	193,968
EmbeddedBeamRow\ 2\ 1	14948	1	32,000	-11,333	-186,831	-52,133	193,968
Element 2-27 (Embedded beam row)	14949	2	32,000	-11,667	-184,971	-51,604	192,034
(paloo1000/3.58)	14950	3	32,000	-12,000	-183,018	-51,066	190,009
	14951	4	32,000	-12,333	-180,975	-50,523	187,895
	14952	5	32,000	-12,667	-178,846	-49,980	185,698
EmbeddedBeamRow\ 2\ 1	14952	1	32,000	-12,667	-178,846	-49,980	185,698
Element 2-28 (Embedded beam row)	14953	2	32,000	-13,000	-176,634	-49,439	183,422
(paloo1000/3.58)	14954	3	32,000	-13,333	-174,342	-48,902	181,070
	14955	4	32,000	-13,667	-171,974	-48,374	178,648
	14956	5	32,000	-14,000	-169,533	-47,856	176,158
EmbeddedBeamRow\ 2\ 1	14956	1	32,000	-14,000	-169,533	-47,856	176,158
Element 2-29 (Embedded beam row)	14957	2	32,000	-14,333	-167,024	-47,352	173,607
(paloo1000/3.58)	14958	3	32,000	-14,667	-164,452	-46,862	170,998
	14959	4	32,000	-15,000	-161,820	-46,390	168,338
	14960	5	32,000	-15,333	-159,134	-45,940	165,632
EmbeddedBeamRow\ 2\ 1	14960	1	32,000	-15,333	-159,134	-45,940	165,632
Element 2-30 (Embedded beam row)	14961	2	32,000	-15,667	-156,398	-45,514	162,886
(paloo1000/3.58)	14962	3	32,000	-16,000	-153,618	-45,117	160,106
	14963	4	32,000	-16,333	-150,799	-44,751	157,299
	14964	5	32,000	-16,667	-147,949	-44,422	154,474
EmbeddedBeamRow\ 2\ 1	14964	1	32,000	-16,667	-147,949	-44,422	154,474
Element 2-31 (Embedded beam row)	14965	2	32,000	-17,000	-145,075	-44,133	151,639
(paloo1000/3.58)	14966	3	32,000	-17,333	-142,184	-43,889	148,804
	14967	4	32,000	-17,667	-139,284	-43,694	145,976
	14968	5	32,000	-18,000	-136,381	-43,550	143,166
EmbeddedBeamRow\ 2\ 1	14968	1	32,000	-18,000	-136,381	-43,550	143,166
Element 2-32 (Embedded beam row)	14969	2	32,000	-18,333	-133,484	-43,460	140,381
(paloo1000/3.58)	14970	3	32,000	-18,667	-130,597	-43,428	137,628
	14971	4	32,000	-19,000	-127,724	-43,450	134,912
	14972	5	32,000	-19,333	-124,870	-43,527	132,239
EmbeddedBeamRow\ 2\ 1	14972	1	32,000	-19,333	-124,870	-43,527	132,239
Element 2-33 (Embedded beam row)	14973	2	32,000	-19,667	-122,034	-43,657	129,608
(paloo1000/3.58)	14974	3	32,000	-20,000	-119,216	-43,836	127,020
	14975	4	32,000	-20,333	-116,419	-44,060	124,478
	14976	5	32,000	-20,667	-113,642	-44,325	121,980
EmbeddedBeamRow\ 2\ 1	14976	1	32,000	-20,667	-113,642	-44,325	121,980
Element 2-34 (Embedded beam row)	14977	2	32,000	-21,000	-110,882	-44,627	119,526
(paloo1000/3.58)	14978	3	32,000	-21,333	-108,140	-44,963	117,115

	14979	4	32,000	-21,667	-105,414	-45,330	114,747	
	14980	5	32,000	-22,000	-102,705	-45,723	112,423	
EmbeddedBeamRow\2\1	14980	1	32,000	-22,000	-102,705	-45,723	112,423	
Element 2-35 (Embedded beam row)	14981	2	32,000	-22,333	-100,015	-46,140	110,145	
(palø1000/3.58)	14982	3	32,000	-22,667	-97,343	-46,578	107,912	
	14983	4	32,000	-23,000	-94,690	-47,033	105,727	
	14984	5	32,000	-23,333	-92,057	-47,504	103,591	
EmbeddedBeamRow\2\1	14984	1	32,000	-23,333	-92,057	-47,504	103,591	
Element 2-36 (Embedded beam row)	14985	2	32,000	-23,667	-89,445	-47,989	101,506	
(palø1000/3.58)	14986	3	32,000	-24,000	-86,855	-48,486	99,472	
	14987	4	32,000	-24,333	-84,286	-48,993	97,491	
	14988	5	32,000	-24,667	-81,739	-49,507	95,563	
EmbeddedBeamRow\2\1	14988	1	32,000	-24,667	-81,739	-49,507	95,563	
Element 2-37 (Embedded beam row)	14989	2	32,000	-25,000	-79,211	-50,023	93,684	
(palø1000/3.58)	14990	3	32,000	-25,333	-76,701	-50,538	91,854	
	14991	4	32,000	-25,667	-74,207	-51,049	90,070	
	14992	5	32,000	-26,000	-71,742	-51,546	88,339	
EmbeddedBeamRow\2\1	14992	1	32,000	-26,000	-71,742	-51,546	88,339	
Element 2-38 (Embedded beam row)	14993	2	32,000	-26,500	-68,713	-51,948	86,140	
(palø1000/3.58)	14994	3	32,000	-27,000	-65,790	-52,342	84,072	
	14995	4	32,000	-27,500	-62,950	-52,735	82,120	
	14996	5	32,000	-28,000	-60,178	-53,132	80,277	
EmbeddedBeamRow\2\1	14996	1	32,000	-28,000	-60,178	-53,132	80,277	
Element 2-39 (Embedded beam row)	14997	2	32,000	-28,350	-58,129	-53,493	78,996	
(palø1000/3.58)	14998	3	32,000	-28,700	-56,098	-53,858	77,767	
	14999	4	32,000	-29,050	-54,084	-54,227	76,587	
	15000	5	32,000	-29,400	-52,082	-54,599	75,456	
EmbeddedBeamRow\2\1	15000	1	32,000	-29,400	-52,082	-54,599	75,456	
Element 2-40 (Embedded beam row)	15001	2	32,000	-29,750	-50,090	-54,975	74,372	
(palø1000/3.58)	15002	3	32,000	-30,100	-48,103	-55,356	73,336	
	15003	4	32,000	-30,450	-46,118	-55,741	72,346	
	15004	5	32,000	-30,800	-44,132	-56,131	71,403	
EmbeddedBeamRow\2\1	15004	1	32,000	-30,800	-44,132	-56,131	71,403	
Element 2-41 (Embedded beam row)	15005	2	32,000	-31,150	-42,143	-56,527	70,508	
(palø1000/3.58)	15006	3	32,000	-31,500	-40,148	-56,928	69,661	
	15007	4	32,000	-31,850	-38,143	-57,335	68,864	
	15008	5	32,000	-32,200	-36,126	-57,748	68,117	
EmbeddedBeamRow\2\1	15008	1	32,000	-32,200	-36,126	-57,748	68,117	
Element 2-42 (Embedded beam row)	15009	2	32,000	-32,550	-34,095	-58,168	67,424	
(palø1000/3.58)	15010	3	32,000	-32,900	-32,048	-58,594	66,785	
	15011	4	32,000	-33,250	-29,983	-59,026	66,204	
	15012	5	32,000	-33,600	-27,898	-59,464	65,683	
EmbeddedBeamRow\2\1	15012	1	32,000	-33,600	-27,898	-59,464	65,683	
Element 2-43 (Embedded beam row)	15013	2	32,000	-33,950	-25,791	-59,909	65,225	
(palø1000/3.58)	15014	3	32,000	-34,300	-23,661	-60,362	64,834	
	15015	4	32,000	-34,650	-21,507	-60,819	64,509	
	15016	5	32,000	-35,000	-19,330	-61,245	64,223	
EmbeddedBeamRow\3\1	15017	1	38,000	1,500	-204,289	-46,434	209,500	
Element 3-44 (Embedded beam row)	15018	2	38,000	1,290	-204,168	-46,639	209,427	
(palø1000/3.58)	15019	3	38,000	1,079	-204,051	-46,848	209,360	
	15020	4	38,000	0,869	-203,934	-47,059	209,293	
	15021	5	38,000	0,658	-203,817	-47,269	209,226	
EmbeddedBeamRow\3\1	15021	1	38,000	0,658	-203,817	-47,269	209,226	
Element 3-45 (Embedded beam row)	15022	2	38,000	0,375	-203,654	-47,549	209,131	
(palø1000/3.58)	15023	3	38,000	0,092	-203,487	-47,822	209,031	
	15024	4	38,000	-0,192	-203,315	-48,088	208,925	
	15025	5	38,000	-0,475	-203,139	-48,346	208,813	
EmbeddedBeamRow\3\1	15025	1	38,000	-0,475	-203,139	-48,346	208,813	
Element 3-46 (Embedded beam row)	15026	2	38,000	-0,856	-202,895	-48,683	208,654	
(palø1000/3.58)	15027	3	38,000	-1,237	-202,641	-49,005	208,482	
	15028	4	38,000	-1,619	-202,375	-49,330	208,300	
	15029	5	38,000	-2,000	-202,090	-49,727	208,118	
EmbeddedBeamRow\3\1	15029	1	38,000	-2,000	-202,090	-49,727	208,118	
Element 3-47 (Embedded beam row)	15030	2	38,000	-2,500	-201,634	-51,510	208,110	
(palø1000/3.58)	15031	3	38,000	-3,000	-200,765	-53,324	207,726	
	15032	4	38,000	-3,500	-199,405	-55,062	206,868	
	15033	5	38,000	-4,000	-197,612	-56,653	205,572	
EmbeddedBeamRow\3\1	15033	1	38,000	-4,000	-197,612	-56,653	205,572	
Element 3-48 (Embedded beam row)	15034	2	38,000	-4,375	-196,719	-56,675	204,720	
(palø1000/3.58)	15035	3	38,000	-4,750	-195,784	-56,632	203,810	
	15036	4	38,000	-5,125	-194,796	-56,554	202,840	
	15037	5	38,000	-5,500	-193,757	-56,442	201,810	
EmbeddedBeamRow\3\1	15037	1	38,000	-5,500	-193,757	-56,442	201,810	
Element 3-49 (Embedded beam row)	15038	2	38,000	-5,875	-192,670	-56,301	200,727	
(palø1000/3.58)	15039	3	38,000	-6,250	-191,538	-56,134	199,594	
	15040	4	38,000	-6,625	-190,361	-55,942	198,410	
	15041	5	38,000	-7,000	-189,140	-55,728	197,179	
EmbeddedBeamRow\3\1	15041	1	38,000	-7,000	-189,140	-55,728	197,179	
Element 3-50 (Embedded beam row)	15042	2	38,000	-7,375	-187,875	-55,492	195,899	
(palø1000/3.58)	15043	3	38,000	-7,750	-186,565	-55,235	194,570	
	15044	4	38,000	-8,125	-185,210	-54,957	193,191	
	15045	5	38,000	-8,500	-183,810	-54,658	191,765	
EmbeddedBeamRow\3\1	15045	1	38,000	-8,500	-183,810	-54,658	191,765	
Element 3-51 (Embedded beam row)	15046	2	38,000	-8,875	-182,367	-54,339	190,290	
(palø1000/3.58)	15047	3	38,000	-9,250	-180,880	-54,000	188,768	
	15048	4	38,000	-9,625	-179,351	-53,642	187,202	
	15049	5	38,000	-10,000	-177,778	-53,268	185,587	
EmbeddedBeamRow\3\1	15049	1	38,000	-10,000	-177,778	-53,268	185,587	
Element 3-52 (Embedded beam row)	15050	2	38,000	-10,333	-175,880	-53,047	183,706	
(palø1000/3.58)	15051	3	38,000	-10,667	-173,928	-52,812	181,769	
	15052	4	38,000	-11,000	-171,935	-52,561	179,790	

		15053	5	38,000	-11,333	-169,901	-52,298	177,768
EmbeddedBeamRow\ 3\ 1		15053	1	38,000	-11,333	-169,901	-52,298	177,768
Element 3-53 (Embedded beam row)		15054	2	38,000	-11,667	-167,830	-52,026	175,708
(paloo1000/3.58)		15055	3	38,000	-12,000	-165,725	-51,747	173,616
		15056	4	38,000	-12,333	-163,590	-51,466	171,495
		15057	5	38,000	-12,667	-161,428	-51,186	169,349
EmbeddedBeamRow\ 3\ 1		15057	1	38,000	-12,667	-161,428	-51,186	169,349
Element 3-54 (Embedded beam row)		15058	2	38,000	-13,000	-159,241	-50,909	167,181
(paloo1000/3.58)		15059	3	38,000	-13,333	-157,033	-50,639	164,996
		15060	4	38,000	-13,667	-154,806	-50,377	162,796
		15061	5	38,000	-14,000	-152,562	-50,126	160,585
EmbeddedBeamRow\ 3\ 1		15061	1	38,000	-14,000	-152,562	-50,126	160,585
Element 3-55 (Embedded beam row)		15062	2	38,000	-14,333	-150,303	-49,886	158,365
(paloo1000/3.58)		15063	3	38,000	-14,667	-148,031	-49,659	156,139
		15064	4	38,000	-15,000	-145,748	-49,447	153,908
		15065	5	38,000	-15,333	-143,455	-49,249	151,673
EmbeddedBeamRow\ 3\ 1		15065	1	38,000	-15,333	-143,455	-49,249	151,673
Element 3-56 (Embedded beam row)		15066	2	38,000	-15,667	-141,152	-49,068	149,437
(paloo1000/3.58)		15067	3	38,000	-16,000	-138,840	-48,902	147,200
		15068	4	38,000	-16,333	-136,519	-48,752	144,963
		15069	5	38,000	-16,667	-134,190	-48,618	142,726
EmbeddedBeamRow\ 3\ 1		15069	1	38,000	-16,667	-134,190	-48,618	142,726
Element 3-57 (Embedded beam row)		15070	2	38,000	-17,000	-131,854	-48,499	140,490
(paloo1000/3.58)		15071	3	38,000	-17,333	-129,510	-48,394	138,256
		15072	4	38,000	-17,667	-127,158	-48,303	136,024
		15073	5	38,000	-18,000	-124,800	-48,226	133,794
EmbeddedBeamRow\ 3\ 1		15073	1	38,000	-18,000	-124,800	-48,226	133,794
Element 3-58 (Embedded beam row)		15074	2	38,000	-18,333	-122,435	-48,161	131,566
(paloo1000/3.58)		15075	3	38,000	-18,667	-120,065	-48,104	129,343
		15076	4	38,000	-19,000	-117,691	-48,057	127,124
		15077	5	38,000	-19,333	-115,312	-48,017	124,910
EmbeddedBeamRow\ 3\ 1		15077	1	38,000	-19,333	-115,312	-48,017	124,910
Element 3-59 (Embedded beam row)		15078	2	38,000	-19,667	-112,930	-47,986	122,702
(paloo1000/3.58)		15079	3	38,000	-20,000	-110,546	-47,962	120,502
		15080	4	38,000	-20,333	-108,159	-47,945	118,310
		15081	5	38,000	-20,667	-105,772	-47,935	116,126
EmbeddedBeamRow\ 3\ 1		15081	1	38,000	-20,667	-105,772	-47,935	116,126
Element 3-60 (Embedded beam row)		15082	2	38,000	-21,000	-103,383	-47,932	113,954
(paloo1000/3.58)		15083	3	38,000	-21,333	-100,994	-47,936	111,793
		15084	4	38,000	-21,667	-98,607	-47,948	109,646
		15085	5	38,000	-22,000	-96,221	-47,968	107,514
EmbeddedBeamRow\ 3\ 1		15085	1	38,000	-22,000	-96,221	-47,968	107,514
Element 3-61 (Embedded beam row)		15086	2	38,000	-22,333	-93,837	-47,996	105,399
(paloo1000/3.58)		15087	3	38,000	-22,667	-91,457	-48,033	103,304
		15088	4	38,000	-23,000	-89,082	-48,080	101,229
		15089	5	38,000	-23,333	-86,712	-48,137	99,177
EmbeddedBeamRow\ 3\ 1		15089	1	38,000	-23,333	-86,712	-48,137	99,177
Element 3-62 (Embedded beam row)		15090	2	38,000	-23,667	-84,348	-48,204	97,151
(paloo1000/3.58)		15091	3	38,000	-24,000	-81,992	-48,282	95,152
		15092	4	38,000	-24,333	-79,644	-48,372	93,183
		15093	5	38,000	-24,667	-77,305	-48,475	91,246
EmbeddedBeamRow\ 3\ 1		15093	1	38,000	-24,667	-77,305	-48,475	91,246
Element 3-63 (Embedded beam row)		15094	2	38,000	-25,000	-74,974	-48,590	89,343
(paloo1000/3.58)		15095	3	38,000	-25,333	-72,654	-48,719	87,476
		15096	4	38,000	-25,667	-70,343	-48,861	85,648
		15097	5	38,000	-26,000	-68,049	-49,015	83,864
EmbeddedBeamRow\ 3\ 1		15097	1	38,000	-26,000	-68,049	-49,015	83,864
Element 3-64 (Embedded beam row)		15098	2	38,000	-26,500	-65,099	-49,180	81,588
(paloo1000/3.58)		15099	3	38,000	-27,000	-62,193	-49,352	79,396
		15100	4	38,000	-27,500	-59,324	-49,533	77,284
		15101	5	38,000	-28,000	-56,488	-49,723	75,254
EmbeddedBeamRow\ 3\ 1		15101	1	38,000	-28,000	-56,488	-49,723	75,254
Element 3-65 (Embedded beam row)		15102	2	38,000	-28,350	-54,404	-49,911	73,830
(paloo1000/3.58)		15103	3	38,000	-28,700	-52,328	-50,106	72,449
		15104	4	38,000	-29,050	-50,262	-50,304	71,111
		15105	5	38,000	-29,400	-48,202	-50,506	69,816
EmbeddedBeamRow\ 3\ 1		15105	1	38,000	-29,400	-48,202	-50,506	69,816
Element 3-66 (Embedded beam row)		15106	2	38,000	-29,750	-46,146	-50,712	68,566
(paloo1000/3.58)		15107	3	38,000	-30,100	-44,095	-50,922	67,360
		15108	4	38,000	-30,450	-42,044	-51,136	66,201
		15109	5	38,000	-30,800	-39,993	-51,353	65,089
EmbeddedBeamRow\ 3\ 1		15109	1	38,000	-30,800	-39,993	-51,353	65,089
Element 3-67 (Embedded beam row)		15110	2	38,000	-31,150	-37,939	-51,575	64,026
(paloo1000/3.58)		15111	3	38,000	-31,500	-35,881	-51,800	63,013
		15112	4	38,000	-31,850	-33,817	-52,029	62,054
		15113	5	38,000	-32,200	-31,745	-52,263	61,149
EmbeddedBeamRow\ 3\ 1		15113	1	38,000	-32,200	-31,745	-52,263	61,149
Element 3-68 (Embedded beam row)		15114	2	38,000	-32,550	-29,664	-52,501	60,301
(paloo1000/3.58)		15115	3	38,000	-32,900	-27,571	-52,743	59,515
		15116	4	38,000	-33,250	-25,465	-52,990	58,791
		15117	5	38,000	-33,600	-23,345	-53,242	58,135
EmbeddedBeamRow\ 3\ 1		15117	1	38,000	-33,600	-23,345	-53,242	58,135
Element 3-69 (Embedded beam row)		15118	2	38,000	-33,950	-21,210	-53,498	57,549
(paloo1000/3.58)		15119	3	38,000	-34,300	-19,058	-53,761	57,039
		15120	4	38,000	-34,650	-16,888	-54,027	56,605
		15121	5	38,000	-35,000	-14,702	-54,277	56,233

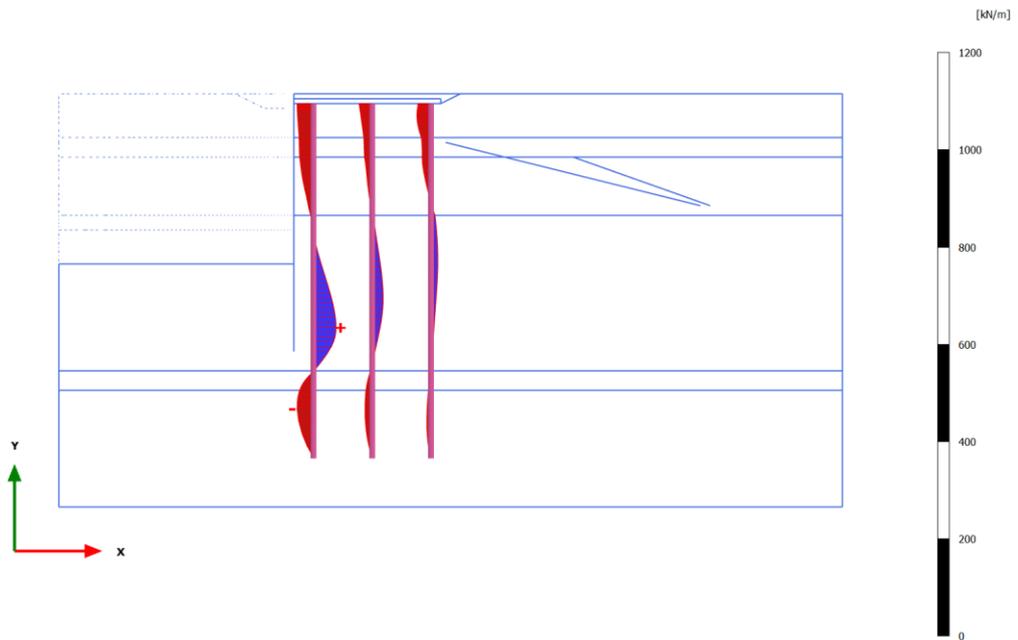
15 Shear forces Q - Embedded beam row

15.1 Escavo -15,0m [Phase_9] (9/62)



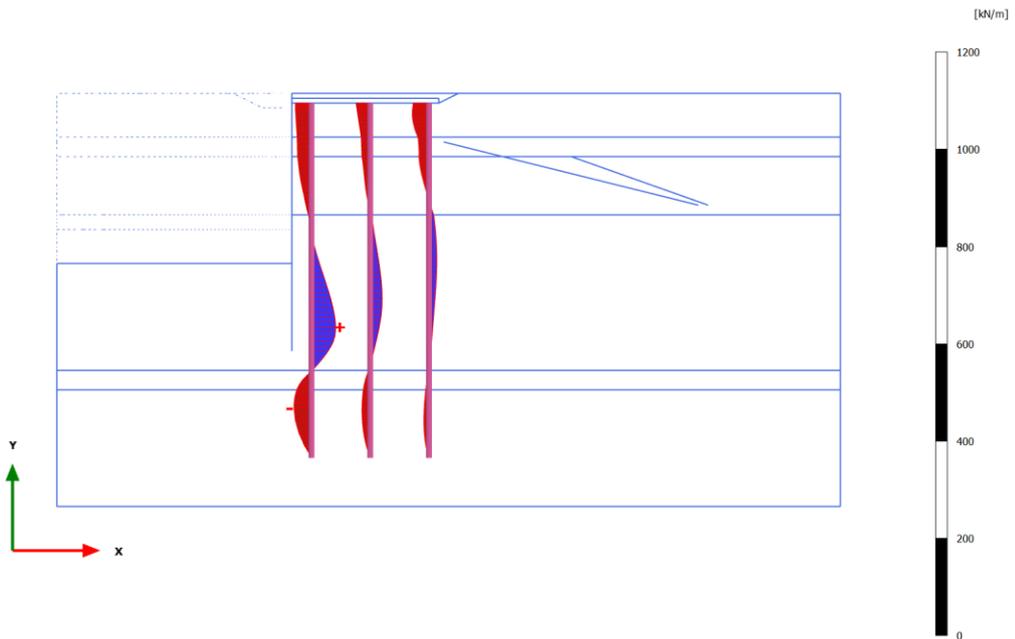
Shear forces Q (scaled up 0,0500 times)
Maximum value = 33,35 kN/m (Element 12 at Node 14889)
Minimum value = -38,19 kN/m (Element 1 at Node 14843)

15.2 SLE q=60kPa b=40kN/m [Phase_10] (10/72)



Shear forces Q (scaled up 0,0500 times)
Maximum value = 46,22 kN/m (Element 12 at Node 14890)
Minimum value = -33,64 kN/m (Element 17 at Node 14907)

15.3 SLU11 $q=69\text{kPa}$ $b=46\text{kN/m}$ [Phase_11] (11/79)

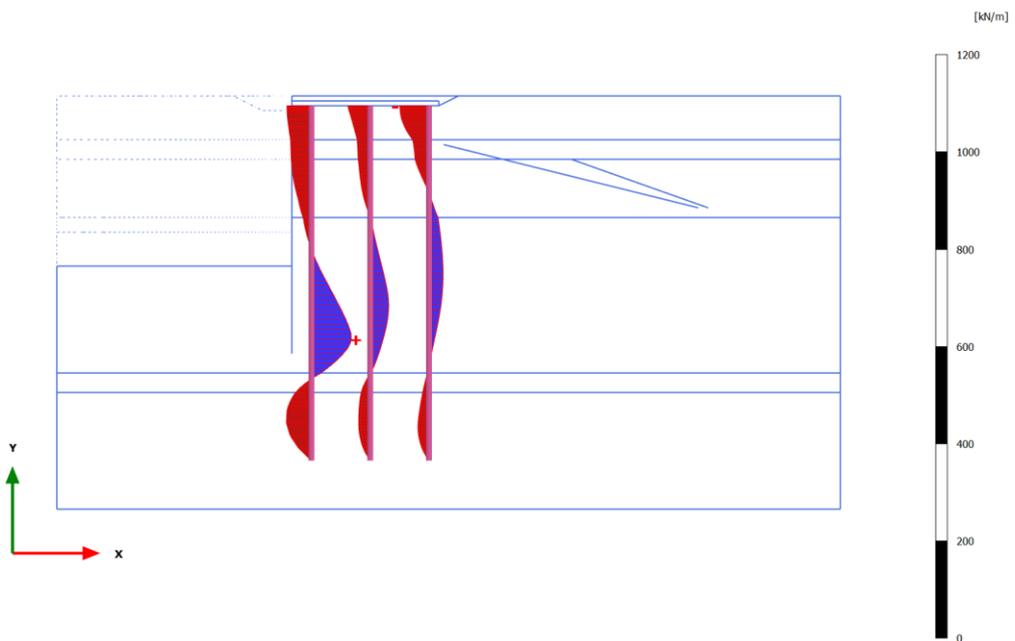


Shear forces Q (scaled up 0,0500 times)

Maximum value = 49,46 kN/m (Element 12 at Node 14890)

Minimum value = -36,02 kN/m (Element 17 at Node 14907)

15.4 SLU12 [Phase_13] (13/124)

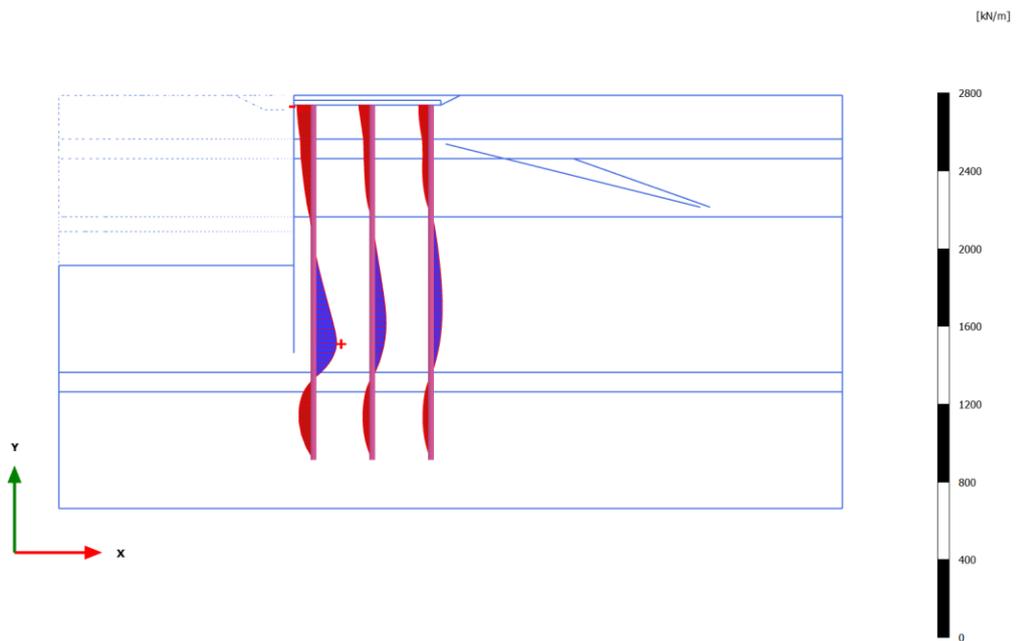


Shear forces Q (scaled up 0,0500 times)

Maximum value = 81,48 kN/m (Element 13 at Node 14892)

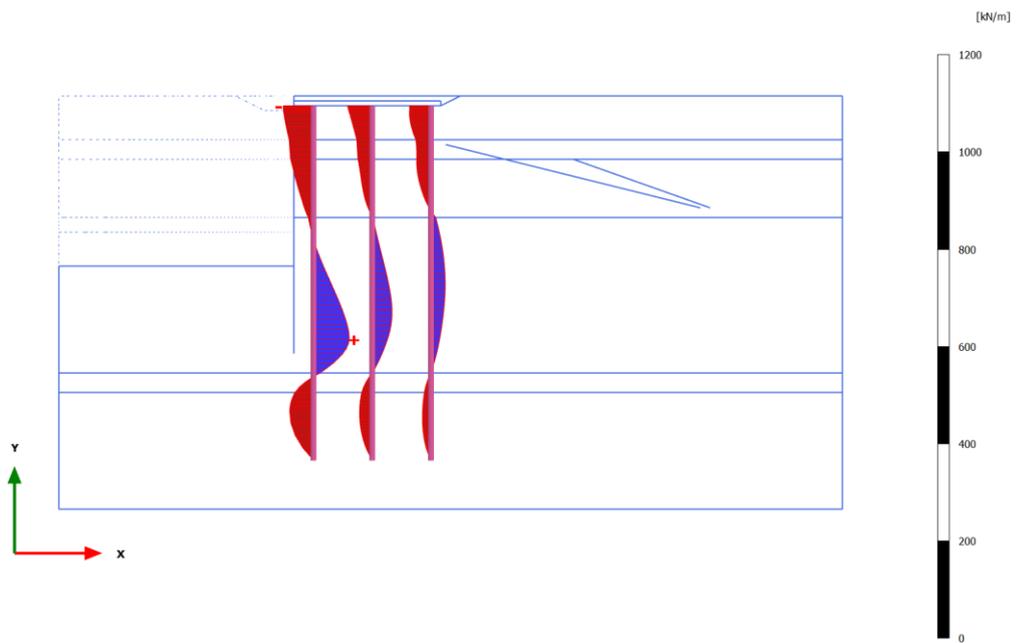
Minimum value = -59,84 kN/m (Element 44 at Node 15017)

15.5 SLV [Phase_15] (17/157)



Shear forces Q (scaled up 0,0200 times)
Maximum value = 118,6 kN/m (Element 13 at Node 14893)
Minimum value = -84,24 kN/m (Element 1 at Node 14843)

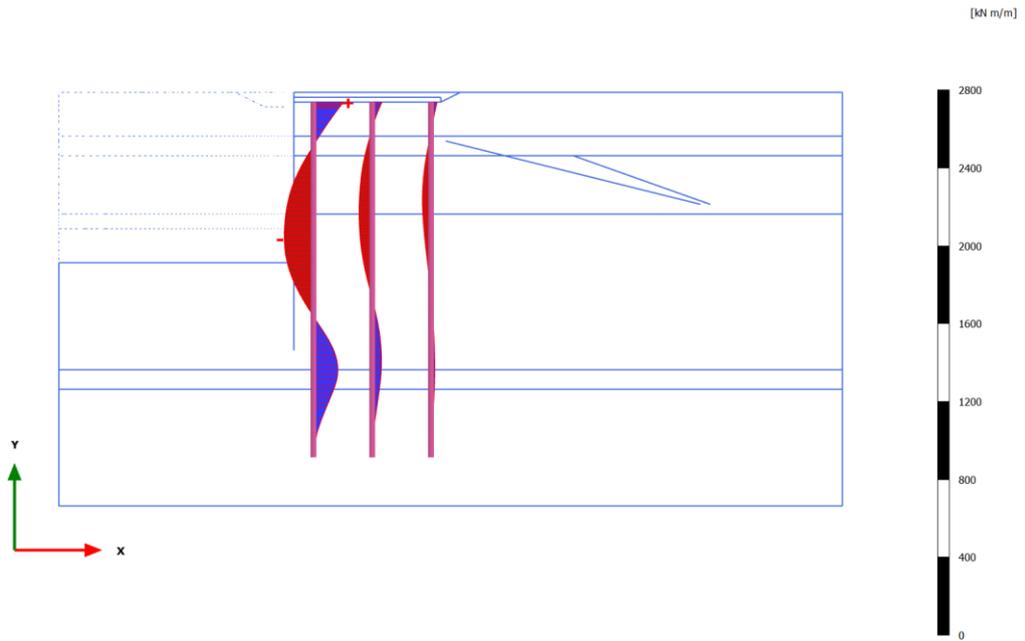
15.6 SLD [Phase_17] (18/172)



Shear forces Q (scaled up 0,0500 times)
Maximum value = 73,22 kN/m (Element 13 at Node 14892)
Minimum value = -61,80 kN/m (Element 1 at Node 14843)

16 Bending moments M - Embedded beam row

16.1 Escavo -15,0m [Phase_9] (9/62)

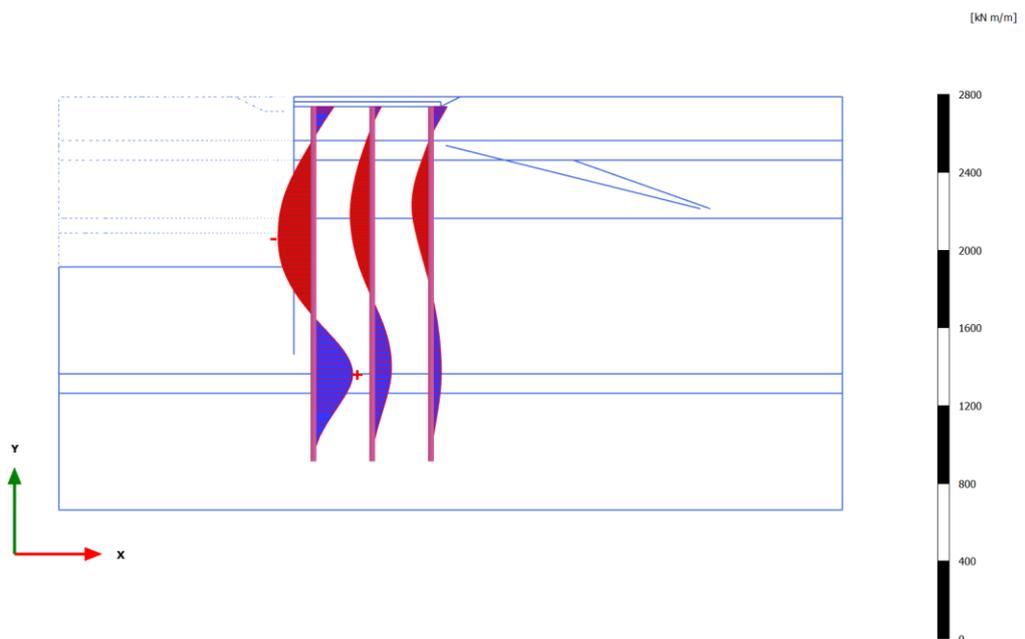


Bending moments M (scaled up 0,0200 times)

Maximum value = 153,7 kN m/m (Element 1 at Node 14843)

Minimum value = -149,6 kN m/m (Element 8 at Node 14872)

16.2 SLE q=60kPa b=40kN/m [Phase_10] (10/72)

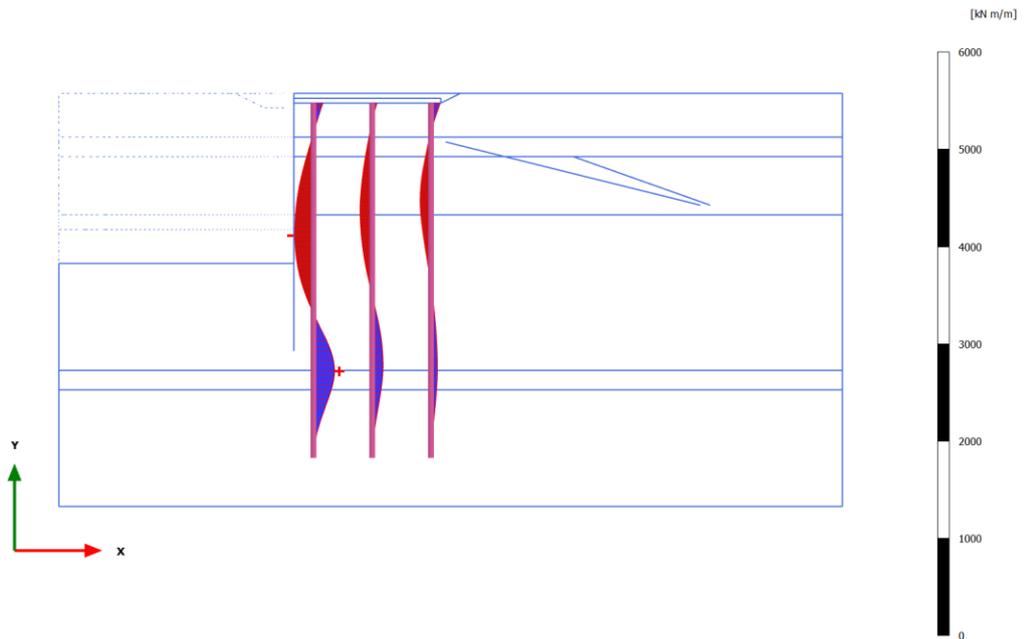


Bending moments M (scaled up 0,0200 times)

Maximum value = 201,4 kN m/m (Element 15 at Node 14899)

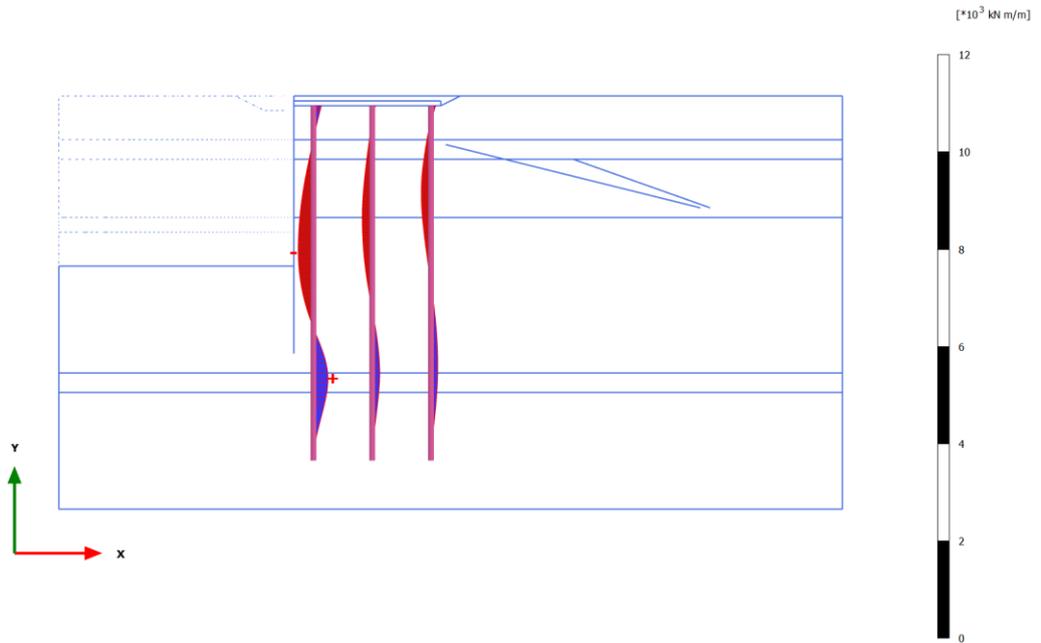
Minimum value = -181,3 kN m/m (Element 7 at Node 14871)

16.3 SLU11 q=69kPa b=46kN/m [Phase_11] (11/79)



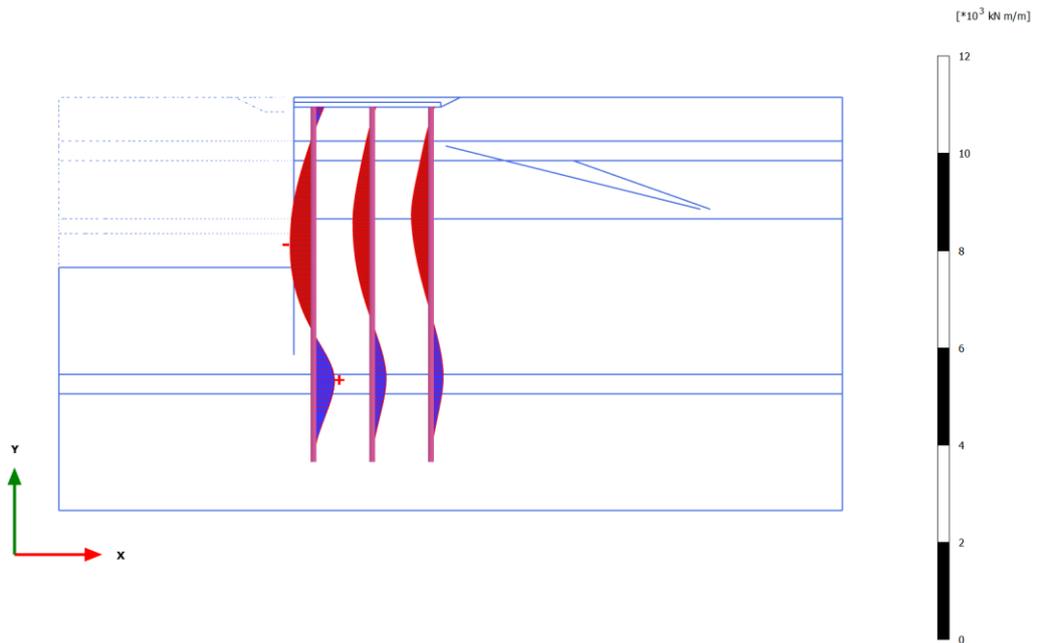
Bending moments M (scaled up 0,0100 times)
Maximum value = 216,4 kN m/m (Element 14 at Node 14899)
Minimum value = -191,0 kN m/m (Element 7 at Node 14871)

16.4 SLU12 [Phase_13] (13/124)



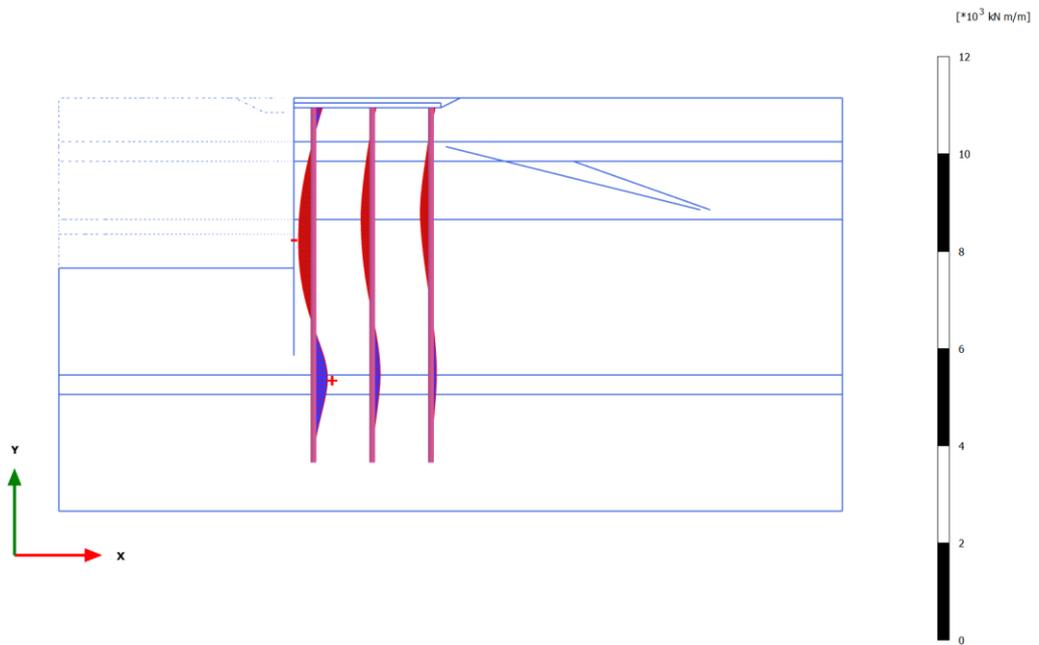
Bending moments M (scaled up $5,00 \cdot 10^{-3}$ times)
Maximum value = 298,0 kN m/m (Element 15 at Node 14900)
Minimum value = -311,7 kN m/m (Element 8 at Node 14874)

16.5 SLV [Phase_15] (17/157)



Bending moments M (scaled up $5,00 \cdot 10^{-3}$ times)
 Maximum value = 431,1 kN m/m (Element 15 at Node 14900)
 Minimum value = -478,3 kN m/m (Element 8 at Node 14872)

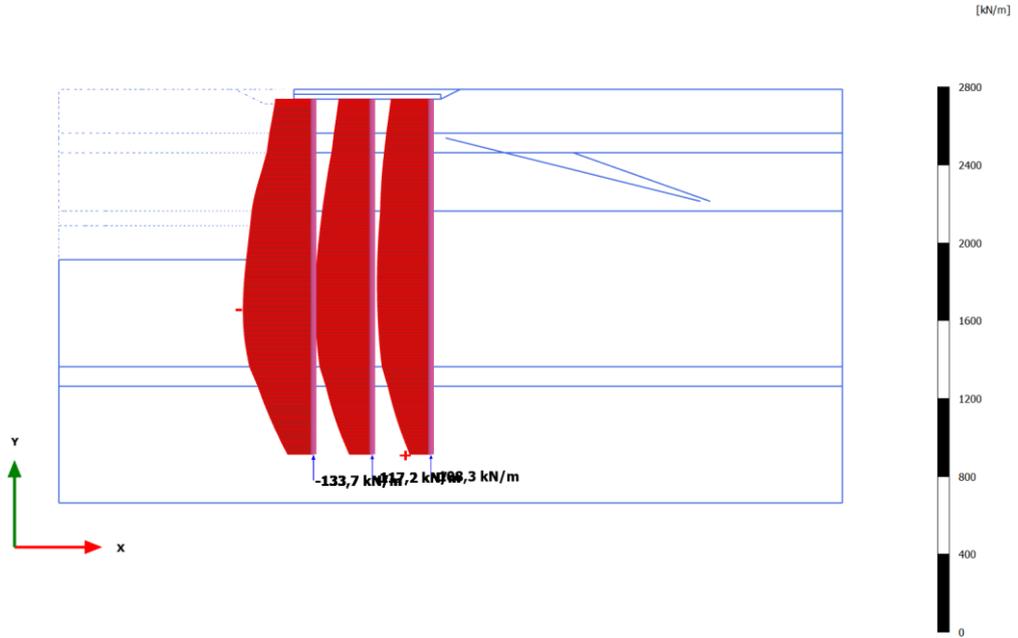
16.6 SLD [Phase_17] (18/172)



Bending moments M (scaled up $5,00 \cdot 10^{-3}$ times)
 Maximum value = 287,9 kN m/m (Element 15 at Node 14900)
 Minimum value = -305,8 kN m/m (Element 8 at Node 14871)

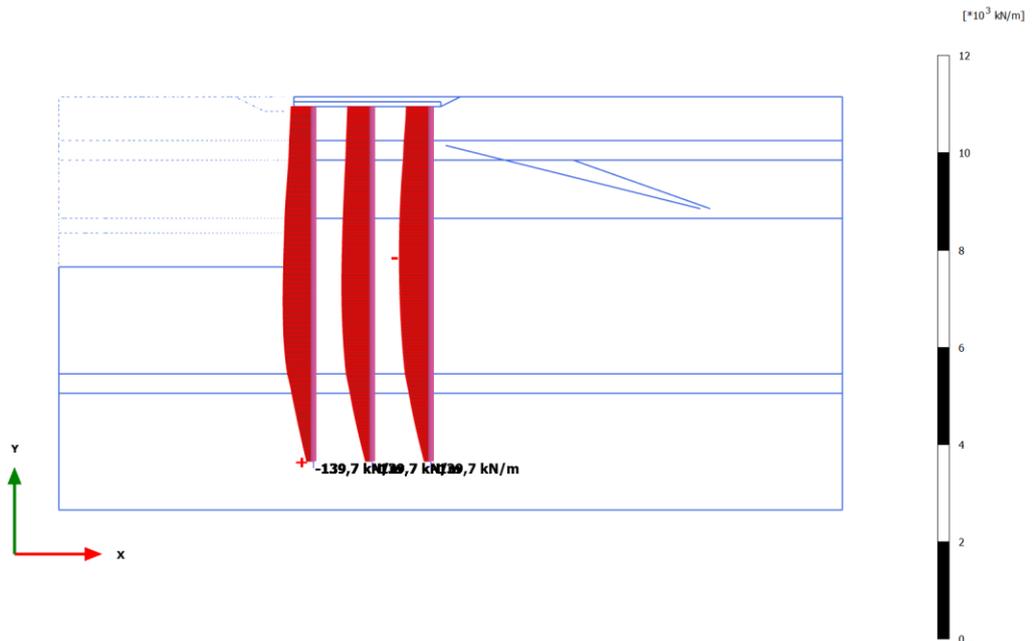
17 Axial forces N - Embedded beam row

17.1 Escavo -15,0m [Phase_9] (9/62)



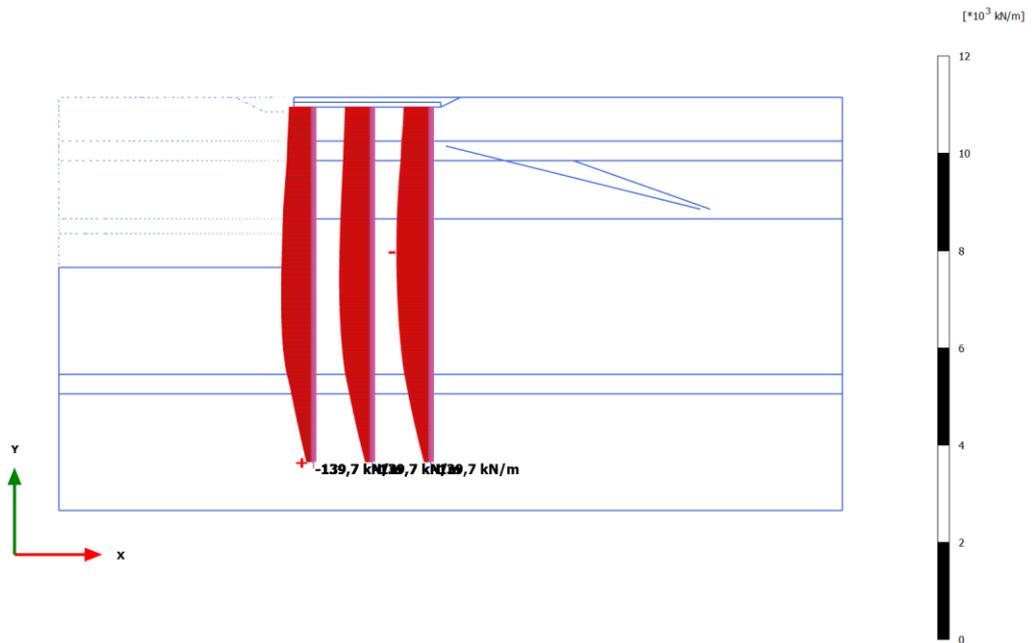
Axial forces N (scaled up 0,0200 times)
 Maximum value = -108,0 kN/m (Element 69 at Node 15121)
 Minimum value = -358,9 kN/m (Element 11 at Node 14887)

17.2 SLE q=60kPa b=40kN/m [Phase_10] (10/72)



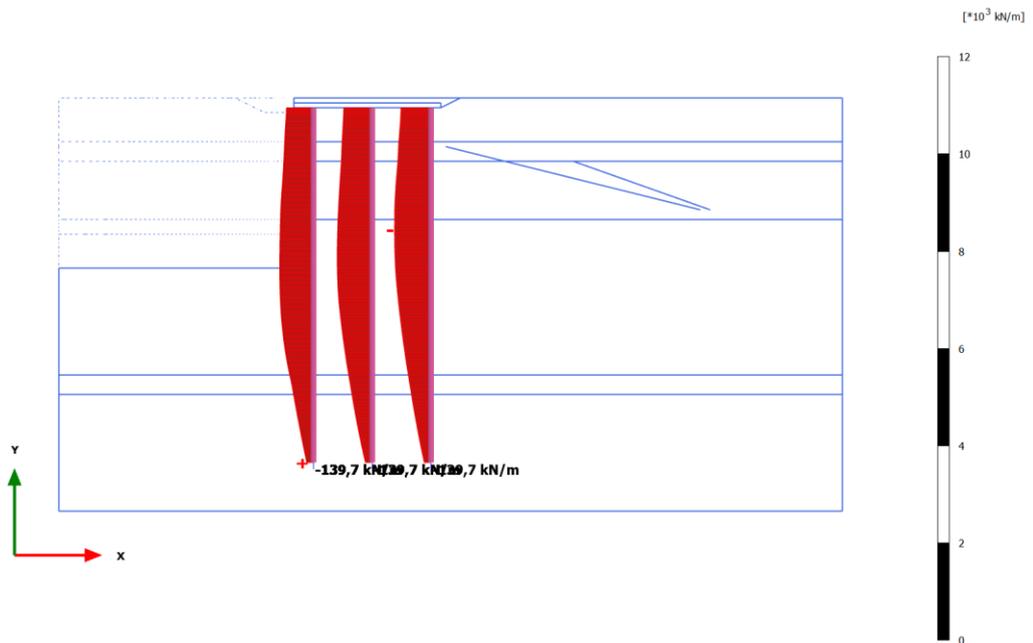
Axial forces N (scaled up 5,00*10⁻³ times)
 Maximum value = -139,2 kN/m (Element 17 at Node 14911)
 Minimum value = -648,5 kN/m (Element 54 at Node 15061)

17.3 SLU11 q=69kPa b=46kN/m [Phase_11] (11/79)



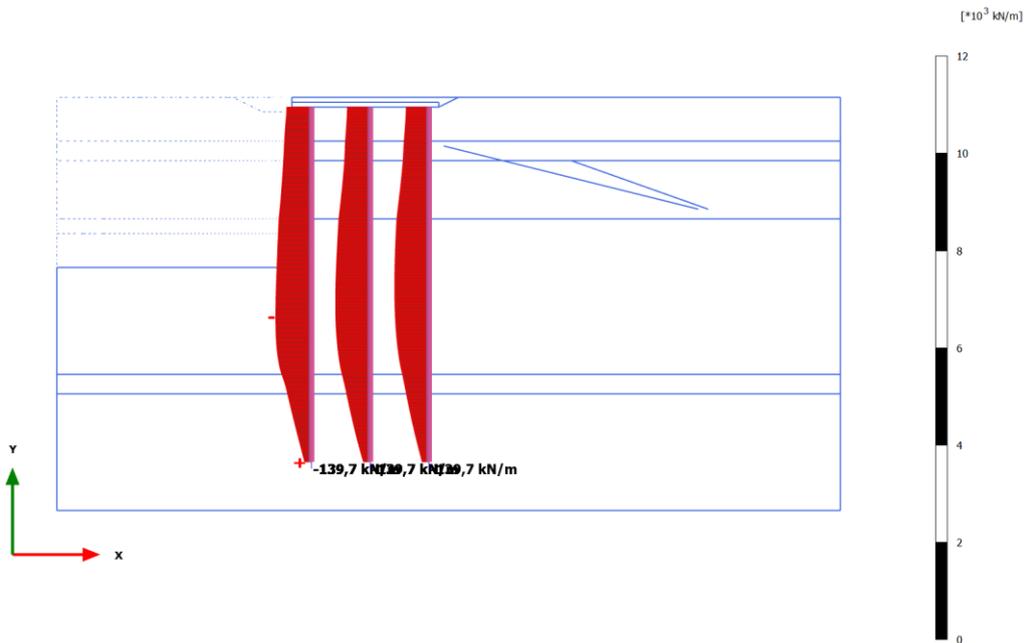
Axial forces N (scaled up 5,00*10⁻³ times)
 Maximum value = -139,2 kN/m (Element 17 at Node 14911)
 Minimum value = -700,9 kN/m (Element 54 at Node 15059)

17.4 SLU12 [Phase_13] (13/124)



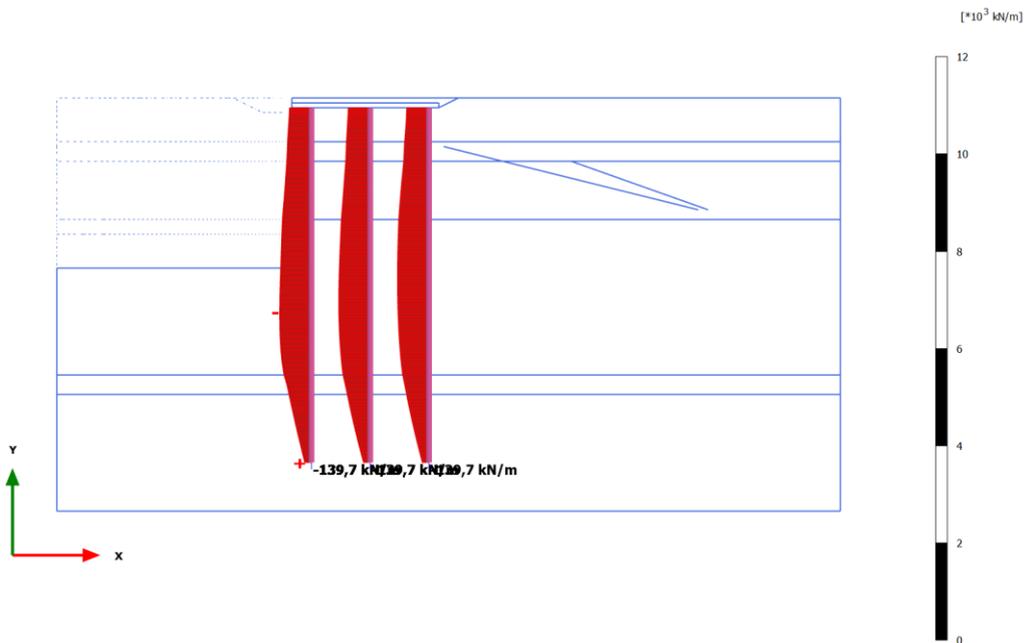
Axial forces N (scaled up 5,00*10⁻³ times)
 Maximum value = -138,4 kN/m (Element 17 at Node 14911)
 Minimum value = -745,2 kN/m (Element 52 at Node 15052)

17.5 SLV [Phase_15] (17/157)



Axial forces N (scaled up $5,00 \cdot 10^{-3}$ times)
Maximum value = -138,9 kN/m (Element 17 at Node 14911)
Minimum value = -728,9 kN/m (Element 11 at Node 14887)

17.6 SLD [Phase_17] (18/172)



Axial forces N (scaled up $5,00 \cdot 10^{-3}$ times)
Maximum value = -139,2 kN/m (Element 17 at Node 14911)
Minimum value = -649,5 kN/m (Element 11 at Node 14886)

18 Table of embedded pile row force envelopes

18.1 Escavo -15,0m [Phase_9] (9/62)

Structural element	Node (ID)	Local number	X (m)	Y (m)	N (kN/m)	Q (kN/m)	Q (RN/m)	Tors (kN/m)	Tors (RN/m)	Tors (RN/m)	Tors (RN/m)	Tors (RN/m)	Tors (RN/m)	Tors (RN/m)	Tors (RN/m)	Tors (RN/m)	Tors (RN/m)	Tors (RN/m)	Tors (RN/m)	Tors (RN/m)	Tors (RN/m)	Tors (RN/m)	Tors (RN/m)
Element 1-1 (Embedded beam row)	14843	2	26,000	1,500	-152,612	-58,189	-152,612	0,000	0,000	0,000	0,000	-193,812	0,000	28,139	11,522	-31,992	-193,812	-193,812	11,522	11,522	11,522	11,522	11,522
			26,000	1,525	-152,588	-58,077	-152,511	-58,022	0,762	0,002	1,000	0,000	-194,588	0,000	28,077	11,499	-31,970	-194,588	-194,588	11,499	11,499	11,499	11,499
Element 1-4 (Embedded beam row)	14844	2	26,000	1,140	-155,895	-37,704	-140,020	-1,980	1,093	2,350	0,834	-195,895	0,000	-37,924	11,451	-47,711	-195,895	-195,895	11,451	11,451	11,451	11,451	11,451
			26,000	0,975	-157,209	-37,704	-133,800	-2,316	1,321	0,411	-197,209	0,000	-37,704	0,000	-47,711	11,451	-47,711	-197,209	-197,209	11,451	11,451	11,451	11,451
Element 1-5 (Embedded beam row)	14845	2	26,000	0,800	-198,642	-37,451	-127,236	-2,716	1,659	7,001	0,567	-198,642	0,000	-37,451	11,351	-53,740	-198,642	-198,642	11,351	11,351	11,351	11,351	11,351
			26,000	0,000	-198,517	-37,501	-127,226	-2,716	1,659	7,001	0,567	-198,517	0,000	-37,501	11,378	-53,740	-198,517	-198,517	11,378	11,378	11,378	11,378	11,378
Element 1-6 (Embedded beam row)	14846	2	26,000	0,100	-304,613	-86,121	-101,455	-3,354	2,022	11,174	0,300	-304,613	0,000	-86,121	11,020	-66,098	-304,613	-304,613	11,020	11,020	11,020	11,020	11,020
			26,000	-1,000	-210,524	-84,855	-84,878	-2,724	2,274	8,073	0,413	-310,624	0,000	-84,855	10,927	-66,098	-310,624	-310,624	10,927	10,927	10,927	10,927	10,927
Element 1-7 (Embedded beam row)	14847	2	26,000	-1,200	-317,804	-33,140	-52,900	-3,894	2,147	6,008	0,685	-317,804	0,000	-33,140	10,927	-51,254	-317,804	-317,804	10,927	10,927	10,927	10,927	10,927
			26,000	0,000	-324,067	-31,630	-30,279	-3,815	2,096	4,454	0,904	-324,067	0,000	-31,630	9,900	-44,309	-324,067	-324,067	9,900	9,900	9,900	9,900	9,900
Element 1-8 (Embedded beam row)	14848	2	26,000	-2,000	-224,017	-31,653	-30,279	-3,787	0,419	6,078	0,118	-224,017	0,000	-31,653	9,727	-44,309	-224,017	-224,017	9,727	9,727	9,727	9,727	9,727
			26,000	-5,500	-227,230	-31,392	-14,520	-1,134	0,566	7,017	0,162	-227,230	0,000	-31,392	9,663	-39,462	-227,230	-227,230	9,663	9,663	9,663	9,663	9,663
Element 1-9 (Embedded beam row)	14849	2	26,000	-8,000	-230,633	-31,088	-1,495	-1,499	0,668	7,287	0,207	-230,633	0,000	-31,088	9,576	-34,620	-230,633	-230,633	9,576	9,576	9,576	9,576	9,576
			26,000	-4,000	-231,887	-26,584	-6,233	-8,152	3,681	0,683	8,008	0,264	-231,887	0,000	-26,584	7,227	-40,233	-231,887	-231,887	7,227	7,227	7,227	7,227
Element 1-10 (Embedded beam row)	14850	2	26,000	-4,500	-238,018	-28,728	-11,020	-3,984	1,000	8,500	0,332	-238,018	0,000	-28,728	6,835	-37,073	-238,018	-238,018	6,835	6,835	6,835	6,835	6,835
			26,000	-6,000	-265,590	-22,914	-34,994	-9,079	4,091	9,209	0,100	-265,590	0,000	-22,914	5,927	-49,994	-265,590	-265,590	5,927	5,927	5,927	5,927	5,927
Element 1-11 (Embedded beam row)	14851	2	26,000	-6,000	-265,480	-27,885	-34,994	-9,079	4,095	9,070	1,000	-265,480	0,000	-27,885	5,927	-49,994	-265,480	-265,480	5,927	5,927	5,927	5,927	5,927
			26,000	-4,500	-273,126	-20,701	-9,594	-9,591	4,470	9,531	0,000	-273,126	0,000	-20,701	4,470	-59,994	-273,126	-273,126	4,470	4,470	4,470	4,470	4,470
Element 1-12 (Embedded beam row)	14852	2	26,000	-7,000	-280,511	-18,401	-105,674	-9,969	4,789	9,031	0,913	-280,511	0,000	-18,401	4,091	-105,674	-280,511	-280,511	4,091	4,091	4,091	4,091	4,091
			26,000	-5,500	-287,606	-16,628	-106,826	-9,379	4,789	8,578	0,815	-287,606	0,000	-16,628	3,579	-116,628	-287,606	-287,606	3,579	3,579	3,579	3,579	3,579
Element 1-13 (Embedded beam row)	14853	2	26,000	-8,000	-294,382	-13,607	-121,693	-7,177	4,294	10,625	0,676	-294,382	0,000	-13,607	3,024	-121,693	-294,382	-294,382	3,024	3,024	3,024	3,024	3,024
			26,000	-8,000	-294,295	-13,615	-121,693	-7,177	4,294	10,621	0,682	-294,295	0,000	-13,615	3,030	-121,693	-294,295	-294,295	3,030	3,030	3,030	3,030	3,030
Element 1-14 (Embedded beam row)	14854	2	26,000	-8,500	-300,281	-11,734	-123,002	-5,795	3,637	11,622	0,499	-300,281	0,000	-11,734	2,627	-123,002	-300,281	-300,281	2,627	2,627	2,627	2,627	2,627
			26,000	-9,000	-305,585	-10,009	-133,481	-4,203	3,274	12,556	0,359	-305,585	0,000	-10,009	2,335	-133,481	-305,585	-305,585	2,335	2,335	2,335	2,335	2,335
Element 1-15 (Embedded beam row)	14855	2	26,000	-9,500	-310,713	-9,279	-140,929	-2,900	2,445	13,021	0,225	-310,713	0,000	-9,279	2,137	-140,929	-310,713	-310,713	2,137	2,137	2,137	2,137	2,137
			26,000	-10,000	-314,611	-8,283	-141,304	-6,075	2,255	13,199	0,051	-314,611	0,000	-8,283	2,096	-141,304	-314,611	-314,611	2,096	2,096	2,096	2,096	2,096
Element 1-16 (Embedded beam row)	14856	2	26,000	-10,000	-313,877	-6,207	-141,304	-6,158	1,322	13,972	0,011	-313,877	0,000	-6,207	2,105	-141,304	-313,877	-313,877	2,105	2,105	2,105	2,105	2,105
			26,000	-10,500	-317,736	-5,260	-144,581	-6,220	1,134	14,491	0,015	-317,736	0,000	-5,260	2,104	-144,581	-317,736	-317,736	2,104	2,104	2,104	2,104	2,104
Element 1-17 (Embedded beam row)	14857	2	26,000	-11,000	-319,580	-4,968	-146,923	-6,182	2,655	15,084	0,012	-319,580	0,000	-4,968	2,000	-146,923	-319,580	-319,580	2,000	2,000	2,000	2,000	2,000
			26,000	-11,200	-322,499	-2,641	-148,011	-6,160	3,007	16,764	0,000	-322,499	0,000	-2,641	2,092	-148,011	-322,499	-322,499	2,092	2,092	2,092	2,092	2,092
Element 1-18 (Embedded beam row)	14858	2	26,000	-12,000	-323,023	-3,977	-149,529	-6,206	3,444	16,516	0,002	-323,023	0,000	-3,977	2,131	-149,529	-323,023	-323,023	2,131	2,131	2,131	2,131	2,131
			26,000	-12,500	-328,093	0,811	-149,587	-6,253	3,811	17,313	0,015	-328,093	0,000	0,811	2,577	-149,587	-328,093	-328,093	2,577	2,577	2,577	2,577	2,577
Element 1-19 (Embedded beam row)	14859	2	26,000	-13,500	-333,870	4,936	-146,364	-6,220	4,424	18,936	0,017	-333,870	0,000	4,936	2,496	-146,364	-333,870	-333,870	2,496	2,496	2,496	2,496	2,496
			26,000	-14,000	-338,738	7,200	-143,711	-6,283	4,658	19,734	0,014	-338,738	0,000	7,200	2,700	-143,711	-338,738	-338,738	2,700	2,700	2,700	2,700	2,700
Element 1-20 (Embedded beam row)	14860	2	26,000	-14,500	-339,636	9,592	-139,537	-6,178	4,830	20,521	0,009	-339,636	0,000	9,592	3,033	-139,537	-339,636	-339,636	3,033	3,033	3,033	3,033	3,033
			26,000	-15,000	-342,418	12,033	-134,130	-6,000	4,946	21,310	0,000	-342,418	0,000	12,033	3,138	-134,130	-342,418	-342,418	3,138	3,138	3,138	3,138	3,138
Element 1-21 (Embedded beam row)	14861	2	26,000	-15,500	-345,090	14,513	-127,495	-6,266	4,986	22,105	0,012	-345,090	0,000	14,513	3,127	-127,495	-345,090	-345,090	3,127	3,127	3,127	3,127	3,127
			26,000	-16,000	-347,648	16,954	-124,464	-6,354	5,041	22,894	0,010	-347,648	0,000	16,954	3,116	-124,464	-347,648	-347,648	3,116	3,116	3,116	3,116	3,116
Element 1-22 (Embedded beam row)	14862	2	26,000	-16,000	-357,612	16,954	-119,614	-6,203	4,951	23,680	0,020	-357,612	0,000	16,954	3,105	-119,614	-357,612	-357,612	3,105	3,105	3,105	3,105	3,105
			26,000	-16,500	-362,470	19,395	-116,628	-6,291	5,006	24,469	0,025	-362,470	0,000	19,395	3,094	-116,628	-362,470	-362,470	3,094	3,094	3,094	3,094	3,094
Element 1-23 (Embedded beam row)	14863	2	26,000	-17,000	-352,086	21,848	-110,159	-1,042	4,673	25,296	0,000	-352,086	0,000	21,848	3,083	-110,159	-352,086	-352,086	3,083	3,083	3,083	3,083	3,083
			26,000	-17,500	-353,954	24,114	-108,662	2,006	4,405	25,470	0,079	-353,954	0,000	24,114	3,082	-108,662	-353,954	-353,954	3,082	3,082	3,082	3,082	3,082
Element 1-24 (Embedded beam row)	14864	2	26,000	-18,000	-355,867	24,251	-104,648	-2,422	4,267	26,061	0,010	-355,867	0,000	24,251	3,071	-104,648	-355,867	-355,867	3,071	3,071	3,071	3,071	3,071
			26,000	-18,500	-355,551	26,234	-106,666	2,471	4,052	26,267													

4895	4	32.000	-12.667	-270.204	-2.765	-40.058	-0.402	-2.005	-31.044	0.005	-270.204	0.000	0.000	4.262	40.885	3.300	
4896	4	32.000	-12.667	-270.200	-2.727	-40.058	-0.402	-2.005	-31.044	0.005	-270.200	0.000	0.000	4.257	40.885	3.300	
Element 2-8 (Embedded beam row)	4895	2	32.000	-13.000	-272.041	-5.477	-39.357	0.044	-2.049	22.393	0.002	-272.041	0.000	0.000	5.477	-39.357	5.447
(paol0003.5.8)	4896	2	32.000	-13.333	-273.827	-6.127	-37.430	0.208	-2.071	22.877	0.009	-273.827	0.000	0.000	6.127	-37.430	5.790
4897	4	32.000	-13.667	-275.585	-6.843	-35.573	0.389	-2.071	23.366	0.017	-275.585	0.000	0.000	6.843	-35.573	6.095	
4898	4	32.000	-14.000	-277.224	-7.505	-33.827	0.588	-2.050	23.857	0.025	-277.224	0.000	0.000	7.505	-33.827	6.393	
4899	4	32.000	-14.333	-278.720	-8.199	-32.193	0.795	-2.025	24.351	0.033	-278.720	0.000	0.000	8.199	-32.193	6.693	
Element 2-9 (Embedded beam row)	4900	2	32.000	-14.333	-278.821	-8.180	-30.274	0.797	-2.009	23.857	0.033	-278.821	0.000	0.000	8.180	-30.274	6.735
(paol0003.5.8)	4901	2	37.000	-14.667	-280.346	-8.879	-27.436	1.075	-1.947	23.870	0.041	-280.346	0.000	0.000	8.879	-27.436	7.076
4902	4	32.000	-15.000	-281.792	-9.473	-24.783	1.265	-1.865	23.384	0.050	-281.792	0.000	0.000	9.473	-24.783	7.413	
4903	4	32.000	-15.333	-283.159	-10.082	-21.124	1.520	-1.764	22.902	0.059	-283.159	0.000	0.000	10.082	-21.124	7.747	
4904	4	32.000	-15.667	-284.456	-10.657	-17.428	1.820	-1.654	22.426	0.068	-284.456	0.000	0.000	10.657	-17.428	8.079	
Element 2-10 (Embedded beam row)	4905	2	32.000	-15.667	-284.425	-10.657	-17.669	1.789	-1.644	22.427	0.068	-284.425	0.000	0.000	10.657	-17.669	8.079
(paol0003.5.8)	4906	2	32.000	-16.000	-285.620	-11.174	-14.029	2.077	-1.567	21.967	0.077	-285.620	0.000	0.000	11.174	-14.029	8.405
4907	4	32.000	-16.333	-286.797	-11.650	-10.323	2.370	-1.490	21.507	0.086	-286.797	0.000	0.000	11.650	-10.323	8.729	
4908	4	32.000	-16.667	-287.996	-12.074	-6.569	2.682	-1.413	21.052	0.096	-287.996	0.000	0.000	12.074	-6.569	9.045	
4909	4	32.000	-16.999	-289.162	-12.454	-2.809	2.985	-1.337	20.604	0.106	-289.162	0.000	0.000	12.454	-2.809	9.352	
Element 2-11 (Embedded beam row)	4910	2	32.000	-17.000	-288.575	-12.423	-2.144	3.011	20.157	0.107	-288.575	0.000	0.000	12.423	-2.144	9.357	
(paol0003.5.8)	4911	2	32.000	-17.333	-289.923	-12.721	-1.759	3.256	19.711	0.114	-289.923	0.000	0.000	12.721	-1.759	9.662	
4912	4	32.000	-17.667	-291.241	-12.944	-1.370	3.716	19.273	19.273	0.121	-291.241	0.000	0.000	12.944	-1.370	9.959	
4913	4	32.000	-18.000	-292.521	-13.070	-0.975	4.093	0.265	19.314	0.125	-292.521	0.000	0.000	13.070	-0.975	10.247	
Element 2-12 (Embedded beam row)	4914	2	32.000	-18.000	-290.518	-13.068	-0.875	4.092	0.265	19.315	0.125	-290.518	0.000	0.000	13.068	-0.875	10.247
(paol0003.5.8)	4915	2	32.000	-18.333	-290.919	-13.111	-0.811	4.483	-0.012	19.000	0.125	-290.919	0.000	0.000	13.111	-0.811	10.526
4916	4	32.000	-18.667	-291.288	-13.126	-0.746	4.889	-0.060	18.687	0.128	-291.288	0.000	0.000	13.126	-0.746	10.799	
4917	4	32.000	-19.000	-291.618	-13.025	-0.685	5.292	-0.069	18.075	0.135	-291.618	0.000	0.000	13.025	-0.685	11.049	
4918	4	32.000	-19.333	-291.814	-12.853	-0.646	5.700	-0.015	17.469	0.137	-291.814	0.000	0.000	12.853	-0.646	11.248	
Element 2-13 (Embedded beam row)	4919	2	32.000	-19.333	-291.815	-12.853	-0.646	5.700	-0.016	17.465	0.137	-291.815	0.000	0.000	12.853	-0.646	11.248
(paol0003.5.8)	4920	2	32.000	-19.667	-291.173	-12.294	-1.106	6.107	-1.215	17.227	0.144	-291.173	0.000	0.000	12.294	-1.106	11.409
4921	4	32.000	-20.000	-290.900	-11.843	-1.315	6.500	-1.497	16.581	0.152	-290.900	0.000	0.000	11.843	-1.315	11.612	
4922	4	32.000	-20.333	-290.698	-11.392	-1.691	6.882	-1.925	15.936	0.200	-290.698	0.000	0.000	11.392	-1.691	11.891	
4923	4	32.000	-20.667	-289.988	-10.673	-2.167	7.246	-2.482	14.954	0.207	-289.988	0.000	0.000	10.673	-2.167	12.157	
Element 2-14 (Embedded beam row)	4924	2	32.000	-20.667	-289.973	-10.682	-2.167	7.245	-2.482	14.943	0.207	-289.973	0.000	0.000	10.682	-2.167	12.157
(paol0003.5.8)	4925	2	32.000	-21.000	-289.325	-9.981	-2.702	7.589	-2.170	14.474	0.214	-289.325	0.000	0.000	9.981	-2.702	12.402
4926	4	32.000	-21.333	-288.569	-9.234	-3.306	7.916	-1.519	13.591	0.220	-288.569	0.000	0.000	9.234	-3.306	12.636	
4927	4	32.000	-21.667	-287.308	-8.448	-4.025	8.228	-0.728	12.484	0.228	-287.308	0.000	0.000	8.448	-4.025	12.852	
4928	4	32.000	-22.000	-286.342	-7.618	-4.832	8.518	-0.244	11.386	0.230	-286.342	0.000	0.000	7.618	-4.832	13.052	
Element 2-15 (Embedded beam row)	4929	2	32.000	-22.000	-286.344	-7.626	-4.832	8.518	-0.244	11.384	0.230	-286.344	0.000	0.000	7.626	-4.832	13.052
(paol0003.5.8)	4930	2	32.000	-22.333	-285.686	-6.791	-5.734	8.804	-0.502	10.745	0.235	-285.686	0.000	0.000	6.791	-5.734	13.334
4931	4	32.000	-22.667	-284.534	-5.988	-6.860	9.080	-0.500	9.720	0.239	-284.534	0.000	0.000	5.988	-6.860	13.600	
4932	4	32.000	-23.000	-283.299	-5.152	-8.200	9.346	-0.245	8.640	0.241	-283.299	0.000	0.000	5.152	-8.200	13.840	
4933	4	32.000	-23.333	-281.951	-4.301	-9.578	9.621	-0.249	7.992	0.242	-281.951	0.000	0.000	4.301	-9.578	14.078	
Element 2-16 (Embedded beam row)	4934	2	32.000	-23.333	-281.948	-4.303	-9.578	9.621	-0.249	7.990	0.242	-281.948	0.000	0.000	4.303	-9.578	14.078
(paol0003.5.8)	4935	2	32.000	-23.667	-280.518	-3.486	-11.176	9.927	-2.435	7.018	0.253	-280.518	0.000	0.000	3.486	-11.176	14.326
4936	4	32.000	-24.000	-278.987	-2.678	-13.203	10.222	-2.412	5.955	0.258	-278.987	0.000	0.000	2.678	-13.203	14.570	
4937	4	32.000	-24.333	-277.256	-1.836	-15.850	10.522	-2.368	4.967	0.263	-277.256	0.000	0.000	1.836	-15.850	14.786	
4938	4	32.000	-24.667	-275.224	-1.025	-18.840	10.825	-2.308	4.026	0.268	-275.224	0.000	0.000	1.025	-18.840	14.985	
Element 2-17 (Embedded beam row)	4939	2	32.000	-24.667	-275.616	-1.078	-17.455	10.861	-2.298	4.045	0.268	-275.616	0.000	0.000	1.078	-17.455	14.978
(paol0003.5.8)	4940	2	32.000	-25.000	-273.772	0.277	-17.460	11.216	-2.408	4.095	0.273	-273.772	0.000	0.000	0.277	-17.460	14.880
4941	4	32.000	-25.333	-271.766	-0.528	-20.629	11.602	-2.420	3.410	0.278	-271.766	0.000	0.000	-0.528	-20.629	14.639	
4942	4	32.000	-25.667	-269.688	-1.132	-24.259	12.001	-2.412	2.840	0.283	-269.688	0.000	0.000	-1.132	-24.259	14.279	
Element 2-18 (Embedded beam row)	4943	2	32.000	-26.000	-267.377	-1.436	-28.197	12.407	-2.439	2.381	0.287	-267.377	0.000	0.000	-1.436	-28.197	13.821
(paol0003.5.8)	4944	2	32.000	-26.000	-267.425	-1.369	-26.751	12.941	-2.384	4.939	0.284	-267.425	0.000	0.000	-2.369	-26.751	14.000
4945	4	32.000	-26.333	-265.790	-0.798	-30.434	20.923	-2.915	4.125	0.484	-265.790	0.000	0.000	-0.798	-30.434	14.244	
Element 2-19 (Embedded beam row)	4946	2	32.000	-27.000	-251.991	-5.079	-43.010	21.218	-2.188	4.037	0.493	-251.991	0.000	0.000	5.079	-43.010	14.010
(paol0003.5.8)	4947	2	32.000	-27.000	-244.628	-6.022	-40.203	21.584	-1.562	4.175	0.500	-244.628	0.000	0.000	6.022	-40.203	14.220
4948	4	32.000	-27.333	-242.081	-6.677	-37.641	22.000	-1.243	4.314	0.504	-242.081	0.000	0.000	6.677	-37.641	14.447	
4949	4	32.000	-27.667	-239.874	-6.648	-35.071	22.437	-0.772	4.452	0.514	-239.874	0.000	0.000	6.648	-35.071	14.641	
Element 2-20 (Embedded beam row)	4950	2	32.000	-28.000	-237.118	-7.054	-32.323	18.770	-0.582	4.208	0.417	-237.118	0.000	0.000	7.054	-32.323	14.673
(paol0003.5.8)	4951	2	32.000	-28.000	-237.118	-7.054	-32.323	18.770	-0.582	4.208	0.417	-237.118	0.000	0.000	7.054	-32.323	14.673
4952	4	32.000	-28.333	-235.564	-6.884	-30.473	17.997	-0.420	4.208	0.417	-235.564	0.000	0.000	6.884	-30.473	14.673	
4953	4	32.000	-28.667	-2													

Element 3-56 (Embedded beam row)	15066	2	38.000	-15.667	-273.378	5.833	-14.408	4.574	-0.154	26.764	0.152	-273.378	0.000	-0.603	5.833	-14.408	3.706
(paol0003.58)	15067	3	38.000	-16.000	-273.717	5.770	-12.473	4.361	-0.277	29.246	0.156	-273.717	0.000	-0.598	5.770	-12.473	3.517
15068	4	38.000	-16.333	-274.055	5.684	-10.500	4.150	-0.400	31.729	0.160	-274.055	0.000	-0.591	5.684	-10.500	3.328	
15069	5	38.000	-16.667	-274.393	5.571	-8.587	3.943	-0.523	34.212	0.164	-274.393	0.000	-0.583	5.571	-8.587	3.145	
15070	6	38.000	-17.000	-274.730	5.449	-6.849	3.744	-0.644	36.695	0.170	-274.730	0.000	-0.575	5.449	-6.849	2.963	
(paol0003.59)	15071	3	38.000	-17.333	-274.863	5.307	-5.056	3.548	-0.764	39.178	0.174	-274.863	0.000	-0.566	5.307	-5.056	2.783
15072	4	38.000	-17.667	-274.848	5.152	-3.312	3.353	-0.884	41.661	0.178	-274.848	0.000	-0.556	5.152	-3.312	2.609	
15073	5	38.000	-18.000	-274.833	4.984	-1.623	3.158	-1.003	44.144	0.182	-274.833	0.000	-0.546	4.984	-1.623	2.441	
15074	6	38.000	-18.333	-274.808	4.810	0.009	2.963	-1.123	46.627	0.186	-274.808	0.000	-0.537	4.810	0.009	-1.557	2.268
(paol0003.58)	15075	3	38.000	-18.667	-273.884	4.629	1.583	2.768	-1.242	49.110	0.190	-273.884	0.000	-0.527	4.629	1.583	2.101
15076	4	38.000	-19.000	-273.500	4.443	3.095	2.573	-1.361	51.593	0.194	-273.500	0.000	-0.516	4.443	3.095	1.933	
15077	5	38.000	-19.333	-272.827	4.255	4.544	2.378	-1.480	54.076	0.197	-272.827	0.000	-0.506	4.255	4.544	1.766	
15078	6	38.000	-19.667	-272.794	4.064	5.930	2.183	-1.600	56.559	0.201	-272.794	0.000	-0.496	4.064	5.930	1.600	
(paol0003.58)	15079	3	38.000	-20.000	-272.201	3.873	7.257	1.987	-1.719	59.042	0.205	-272.201	0.000	-0.484	3.873	7.257	1.433
15080	4	38.000	-20.333	-271.716	3.682	8.513	1.711	-1.838	61.525	0.208	-271.716	0.000	-0.473	3.682	8.513	1.266	
15081	5	38.000	-20.667	-271.022	3.492	9.708	1.435	-1.957	64.008	0.212	-271.022	0.000	-0.460	3.492	9.708	1.100	
15082	6	38.000	-21.000	-270.355	3.303	10.840	1.150	-2.076	66.491	0.215	-270.355	0.000	-0.446	3.303	10.840	0.934	
(paol0003.58)	15083	3	38.000	-21.333	-269.564	3.114	11.910	0.865	-2.195	68.974	0.219	-269.564	0.000	-0.431	3.114	11.910	0.768
15084	4	38.000	-21.667	-268.698	2.926	12.917	0.580	-2.314	71.457	0.222	-268.698	0.000	-0.414	2.926	12.917	0.602	
15085	5	38.000	-22.000	-267.768	2.738	13.862	0.295	-2.433	73.940	0.226	-267.768	0.000	-0.396	2.738	13.862	0.436	
15086	6	38.000	-22.333	-266.778	2.549	14.744	0.010	-2.552	76.423	0.229	-266.778	0.000	-0.377	2.549	14.744	0.270	
(paol0003.58)	15087	3	38.000	-22.667	-265.637	2.356	15.559	-0.283	-2.671	78.906	0.233	-265.637	0.000	-0.357	2.356	15.559	0.104
15088	4	38.000	-23.000	-264.441	2.158	16.312	-0.567	-2.790	81.389	0.237	-264.441	0.000	-0.336	2.158	16.312	0.038	
15089	5	38.000	-23.333	-263.182	1.956	16.997	-0.851	-2.909	83.872	0.241	-263.182	0.000	-0.314	1.956	16.997	0.072	
15090	6	38.000	-23.667	-261.867	1.750	17.620	-1.135	-3.028	86.355	0.245	-261.867	0.000	-0.291	1.750	17.620	0.106	
(paol0003.58)	15091	3	38.000	-24.000	-260.501	1.530	18.188	-1.419	-3.147	88.838	0.249	-260.501	0.000	-0.267	1.530	18.188	0.140
15092	4	38.000	-24.333	-259.084	1.285	18.626	-1.703	-3.266	91.321	0.252	-259.084	0.000	-0.242	1.285	18.626	0.174	
15093	5	38.000	-24.667	-257.618	1.028	19.044	-2.000	-3.385	93.804	0.256	-257.618	0.000	-0.216	1.028	19.044	0.208	
15094	6	38.000	-25.000	-256.103	0.761	19.452	-2.314	-3.504	96.287	0.260	-256.103	0.000	-0.188	0.761	19.452	0.242	
(paol0003.58)	15095	3	38.000	-25.333	-254.539	0.506	19.851	-2.640	-3.623	98.770	0.264	-254.539	0.000	-0.159	0.506	19.851	0.276
15096	4	38.000	-25.667	-252.928	0.281	20.240	-2.987	-3.742	101.253	0.268	-252.928	0.000	-0.129	0.281	20.240	0.310	
15097	5	38.000	-26.000	-251.264	-0.057	20.620	-3.354	-3.861	103.736	0.272	-251.264	0.000	-0.098	-0.057	20.620	0.344	
15098	6	38.000	-26.333	-249.550	-0.388	20.991	-3.743	-3.980	106.219	0.276	-249.550	0.000	-0.067	-0.388	20.991	0.378	
(paol0003.58)	15099	3	38.000	-26.667	-247.787	-0.723	21.353	-4.153	-4.100	108.702	0.280	-247.787	0.000	-0.035	-0.723	21.353	0.412
15100	4	38.000	-27.000	-245.976	-1.054	21.708	-4.594	-4.220	111.185	0.284	-245.976	0.000	0.000	-1.054	21.708	0.446	
15101	5	38.000	-27.333	-244.118	-1.391	22.056	-5.065	-4.290	113.668	0.288	-244.118	0.000	0.029	-1.391	22.056	0.480	
15102	6	38.000	-27.667	-242.213	-1.734	22.400	-5.576	-4.360	116.151	0.292	-242.213	0.000	0.058	-1.734	22.400	0.514	
(paol0003.58)	15103	3	38.000	-28.000	-240.262	-2.083	22.740	-6.127	-4.430	118.634	0.296	-240.262	0.000	0.087	-2.083	22.740	0.548
15104	4	38.000	-28.333	-238.266	-2.438	23.077	-6.719	-4.500	121.117	0.300	-238.266	0.000	0.116	-2.438	23.077	0.582	
15105	5	38.000	-28.667	-236.226	-2.800	23.411	-7.348	-4.570	123.600	0.304	-236.226	0.000	0.145	-2.800	23.411	0.616	
15106	6	38.000	-29.000	-234.141	-3.169	23.742	-8.017	-4.640	126.083	0.308	-234.141	0.000	0.174	-3.169	23.742	0.650	
(paol0003.58)	15107	3	38.000	-29.333	-232.012	-3.544	24.071	-8.726	-4.710	128.566	0.312	-232.012	0.000	0.203	-3.544	24.071	0.684
15108	4	38.000	-29.667	-229.839	-3.926	24.399	-9.475	-4.780	131.049	0.316	-229.839	0.000	0.232	-3.926	24.399	0.718	
15109	5	38.000	-30.000	-227.624	-4.315	24.726	-10.264	-4.850	133.532	0.320	-227.624	0.000	0.261	-4.315	24.726	0.752	
15110	6	38.000	-30.333	-225.367	-4.711	25.052	-11.093	-4.920	136.015	0.324	-225.367	0.000	0.290	-4.711	25.052	0.786	
(paol0003.58)	15111	3	38.000	-30.667	-223.068	-5.114	25.378	-11.963	-5.000	138.498	0.328	-223.068	0.000	0.319	-5.114	25.378	0.820
15112	4	38.000	-31.000	-220.727	-5.524	25.703	-12.873	-5.070	140.981	0.332	-220.727	0.000	0.348	-5.524	25.703	0.854	
15113	5	38.000	-31.333	-218.344	-5.941	26.028	-13.823	-5.140	143.464	0.336	-218.344	0.000	0.377	-5.941	26.028	0.888	
15114	6	38.000	-31.667	-215.919	-6.365	26.353	-14.814	-5.210	145.947	0.340	-215.919	0.000	0.406	-6.365	26.353	0.922	
(paol0003.58)	15115	3	38.000	-32.000	-213.453	-6.796	26.678	-15.845	-5.280	148.430	0.344	-213.453	0.000	0.435	-6.796	26.678	0.956
15116	4	38.000	-32.333	-210.946	-7.234	27.003	-16.916	-5.350	150.913	0.348	-210.946	0.000	0.464	-7.234	27.003	0.990	
15117	5	38.000	-32.667	-208.399	-7.679	27.328	-18.027	-5.420	153.396	0.352	-208.399	0.000	0.493	-7.679	27.328	1.024	
15118	6	38.000	-33.000	-205.812	-8.131	27.653	-19.178	-5.490	155.879	0.356	-205.812	0.000	0.522	-8.131	27.653	1.058	
(paol0003.58)	15119	3	38.000	-33.333	-203.185	-8.590	27.978	-20.369	-5.560	158.362	0.360	-203.185	0.000	0.551	-8.590	27.978	1.092
15120	4	38.000	-33.667	-200.518	-9.056	28.303	-21.600	-5.630	160.845	0.364	-200.518	0.000	0.580	-9.056	28.303	1.126	
15121	5	38.000	-34.000	-197.811	-9.529	28.628	-22.871	-5.700	163.328	0.368	-197.811	0.000	0.609	-9.529	28.628	1.160	

18.2 SLE q=60kPa b=40kN/m [Phase_10] (10/72)

Structural element	Node (i)²	Local number	X [m]	Y [m]	N (kN)	Q (kN)	M (kNm)	Tax (kN/m)	Tay (kN/m)	Tmax (kN/m)	Tmax²	Nmax (kN)	Nmin (kN)	Qmax (kN)	Qmin (kN)	Mmax (kNm)	Mmin (kNm)
Element 1-1 (Embedded beam row)	14843	2	26.000	1.500	-460.332	-33.360	105.684	0.000	0.000	0.000	0.000	-460.332	0.000	-38.342	11.232	-31.952	154.282
(paol0003.58)	14844	2	26.000	1.325	-461.271	-33.999	99.844	-0.547	-0.073	0.547	0.300	-461.271	0.000	-38.230	11.489	-79.390	147.783
14845	3	26.000	1.150	-462.458	-33.384	93.998	-2.256	-0.256	2.256	1.500	-462.458	0.000	-38.008	11.451	-177.931	141.105	
14846																	

18898	4	32.000	-25.500	-546.566	9.286	198.751	13.462	-15.957	41.877	0.625	-546.566	0.000	-2.266	9.286	0.000	198.751	
18899	5	32.000	-26.000	-531.177	1.103	201.364	8.653	-13.661	43.369	0.617	-531.177	0.000	-3.399	1.103	0.000	201.364	
18899	1	32.000	-26.000	-531.174	1.109	201.364	8.747	-23.915	61.952	0.027	-531.174	0.000	3.322	1.108	0.000	201.364	
Element 1-14 (Embedded beam row)	14900	2	32.000	-26.500	-506.281	-9.404	199.247	54.848	1.000	-506.281	0.000	-9.404	0.000	0.000	0.000	199.247	
(pack00003.5.5)	14901	3	32.000	-27.000	-483.844	-17.898	192.331	-16.677	49.505	1.000	-483.844	0.000	-17.898	0.000	0.000	192.331	
14902	4	32.000	-27.500	-461.637	-24.230	181.705	-25.956	-10.553	45.956	1.000	-461.637	0.000	-24.230	0.000	0.000	181.705	
14903	5	32.000	-28.000	-441.478	-29.454	168.451	-33.850	-2.471	42.478	1.000	-441.478	0.000	-29.454	0.000	0.000	168.451	
Element 1-14 (Embedded beam row)	14904	1	32.000	-28.457	-424.280	-30.957	154.803	-45.089	-4.230	45.089	1.000	-424.280	0.000	-30.957	0.000	154.803	
(pack00003.5.5)	14905	2	32.000	-28.914	-406.017	-32.505	140.267	-53.871	-5.871	1.000	-406.017	0.000	-32.505	0.000	0.000	140.267	
14906	3	32.000	-29.371	-387.515	-33.300	125.194	-66.145	-6.936	46.145	1.000	-387.515	0.000	-33.300	0.000	0.000	125.194	
14907	4	32.000	-29.828	-369.838	-35.012	109.626	-81.955	-8.044	46.629	1.000	-369.838	0.000	-35.012	0.000	0.000	109.626	
Element 1-17 (Embedded beam row)	14908	2	32.000	-29.828	-368.753	-33.641	109.626	-86.301	0.414	1.000	-368.753	0.000	-33.641	0.000	0.000	109.626	
(pack00003.5.5)	14909	3	32.000	-30.214	-356.445	-35.620	92.713	-101.200	0.351	1.000	-356.445	0.000	-35.620	0.000	0.000	92.713	
14910	4	32.000	-30.707	-340.811	-37.249	8.517	-115.576	-9.338	41.576	1.000	-340.811	0.000	-37.249	0.000	0.000	8.517	
14911	5	32.000	-28.000	-426.394	-32.717	0.000	20.376	-0.658	42.376	1.000	-426.394	0.000	-32.717	0.000	0.000	20.376	
Element 2-18 (Embedded beam row)	14912	1	32.000	-1.500	-393.669	-26.974	-47.408	0.000	0.000	0.000	-393.669	0.000	-26.974	3.267	-25.183	-51.024	
(pack00003.5.5)	14913	2	32.000	1.290	-360.884	-26.468	-41.784	-16.678	2.551	1.000	-360.884	0.000	-26.468	3.365	-26.474	-46.181	
14914	3	32.000	1.079	-306.281	-25.891	-36.273	-1.803	3.034	2.444	1.000	-306.281	0.000	-25.891	3.362	-25.766	-41.483	
14915	4	32.000	0.869	-267.816	-25.267	-30.887	-1.995	2.597	4.451	1.000	-267.816	0.000	-25.267	3.356	-25.059	-36.939	
14916	5	32.000	0.678	-209.446	-24.621	-25.439	-2.035	2.017	6.145	0.931	-209.446	0.000	-24.621	3.330	-24.354	-32.555	
Element 2-18 (Embedded beam row)	14917	1	32.000	0.608	-209.416	-24.622	-25.439	-2.035	2.017	0.968	-209.416	0.000	-24.622	3.351	-24.358	-32.555	
(pack00003.5.5)	14918	2	32.000	0.378	-151.553	-23.823	-18.778	-3.092	2.833	6.134	0.935	-151.553	0.000	-23.823	3.341	-23.406	-26.888
14919	3	32.000	0.092	-513.708	-23.028	-12.141	-2.251	2.777	7.163	0.900	-513.708	0.000	-23.028	3.333	-22.462	-21.473	
14920	4	32.000	-0.492	-518.880	-22.245	-5.728	-2.214	2.345	7.999	0.799	-518.880	0.000	-22.245	3.327	-21.517	-16.798	
Element 2-19 (Embedded beam row)	14921	1	32.000	-0.475	-461.462	-21.472	-4.062	-2.829	2.734	0.294	-461.462	0.000	-21.472	3.328	-21.170	-11.390	
(pack00003.5.5)	14922	2	32.000	-0.856	-521.049	-20.431	-8.449	-3.281	2.722	2.764	0.299	-521.049	0.000	-20.431	3.327	-19.708	-5.622
14923	3	32.000	-1.237	-524.068	-19.396	-16.043	-2.483	-3.161	3.161	0.294	-524.068	0.000	-19.396	3.342	-18.263	0.000	
14924	4	32.000	-1.619	-527.128	-18.369	-23.244	-1.594	-2.678	3.475	0.307	-527.128	0.000	-18.369	3.371	-16.455	0.000	
14925	5	32.000	-2.000	-530.228	-17.353	-30.002	-0.729	-2.601	4.833	0.309	-530.228	0.000	-17.353	3.413	-14.334	0.000	
Element 2-24 (Embedded beam row)	14926	1	32.000	-2.000	-530.228	-17.353	-30.002	-0.729	-2.601	0.309	-530.228	0.000	-17.353	3.413	-14.334	0.000	
(pack00003.5.5)	14927	2	32.000	-2.382	-533.328	-16.331	-37.024	-0.548	-3.529	0.328	-533.328	0.000	-16.331	3.413	-12.210	2.800	
14928	3	32.000	-2.765	-536.428	-15.315	-44.047	-0.373	-3.466	4.871	0.329	-536.428	0.000	-15.315	3.422	-10.085	0.000	
Element 2-24 (Embedded beam row)	14929	1	32.000	-2.765	-536.428	-15.315	-44.047	-0.373	-3.466	0.329	-536.428	0.000	-15.315	3.422	-10.085	0.000	
(pack00003.5.5)	14930	2	32.000	-3.148	-539.528	-14.299	-51.066	-0.203	-4.409	0.340	-539.528	0.000	-14.299	3.431	-7.958	0.000	
14931	3	32.000	-3.531	-542.628	-13.283	-58.085	-0.027	-4.342	5.757	0.341	-542.628	0.000	-13.283	3.440	-5.833	0.000	
14932	4	32.000	-3.914	-545.728	-12.267	-65.104	0.148	-4.276	7.104	0.342	-545.728	0.000	-12.267	3.449	-3.708	0.000	
Element 2-24 (Embedded beam row)	14933	1	32.000	-3.914	-545.728	-12.267	-65.104	0.148	-4.276	0.342	-545.728	0.000	-12.267	3.449	-3.708	0.000	
(pack00003.5.5)	14934	2	32.000	-4.297	-548.828	-11.251	-72.123	0.321	-5.200	0.353	-548.828	0.000	-11.251	3.458	-1.583	0.000	
14935	3	32.000	-4.680	-551.928	-10.235	-79.142	0.494	-5.134	6.547	0.354	-551.928	0.000	-10.235	3.467	0.542	0.000	
14936	4	32.000	-5.063	-555.028	-9.219	-86.161	0.667	-5.068	7.894	0.355	-555.028	0.000	-9.219	3.476	2.667	0.000	
Element 2-24 (Embedded beam row)	14937	1	32.000	-5.063	-555.028	-9.219	-86.161	0.667	-5.068	0.355	-555.028	0.000	-9.219	3.476	2.667	0.000	
(pack00003.5.5)	14938	2	32.000	-5.446	-558.128	-8.203	-93.180	0.840	-5.002	0.366	-558.128	0.000	-8.203	3.485	4.792	0.000	
14939	3	32.000	-5.829	-561.228	-7.187	-100.199	1.013	-4.936	6.140	0.367	-561.228	0.000	-7.187	3.494	6.917	0.000	
14940	4	32.000	-6.212	-564.328	-6.171	-107.218	1.186	-4.870	7.288	0.368	-564.328	0.000	-6.171	3.503	9.042	0.000	
Element 2-24 (Embedded beam row)	14941	1	32.000	-6.212	-564.328	-6.171	-107.218	1.186	-4.870	0.368	-564.328	0.000	-6.171	3.503	9.042	0.000	
(pack00003.5.5)	14942	2	32.000	-6.595	-567.428	-5.155	-114.237	1.359	-4.804	0.379	-567.428	0.000	-5.155	3.512	11.167	0.000	
14943	3	32.000	-6.978	-570.528	-4.139	-121.256	1.532	-4.738	8.419	0.380	-570.528	0.000	-4.139	3.521	13.292	0.000	
14944	4	32.000	-7.361	-573.628	-3.123	-128.275	1.705	-4.672	9.567	0.381	-573.628	0.000	-3.123	3.530	15.417	0.000	
Element 2-24 (Embedded beam row)	14945	1	32.000	-7.361	-573.628	-3.123	-128.275	1.705	-4.672	0.381	-573.628	0.000	-3.123	3.530	15.417	0.000	
(pack00003.5.5)	14946	2	32.000	-7.744	-576.728	-2.107	-135.294	1.878	-4.606	0.392	-576.728	0.000	-2.107	3.539	17.542	0.000	
14947	3	32.000	-8.127	-579.828	-1.091	-142.313	2.051	-4.540	10.701	0.393	-579.828	0.000	-1.091	3.548	19.667	0.000	
14948	4	32.000	-8.510	-582.928	-0.075	-149.332	2.224	-4.474	11.849	0.394	-582.928	0.000	-0.075	3.557	21.792	0.000	
Element 2-24 (Embedded beam row)	14949	1	32.000	-8.510	-582.928	-0.075	-149.332	2.224	-4.474	0.394	-582.928	0.000	-0.075	3.557	21.792	0.000	
(pack00003.5.5)	14950	2	32.000	-8.893	-586.028	0.941	-156.351	2.397	-4.408	0.405	-586.028	0.000	0.941	3.566	23.917	0.000	
14951	3	32.000	-9.276	-589.128	1.927	-163.370	2.570	-4.342	12.970	0.406	-589.128	0.000	1.927	3.575	26.042	0.000	
14952	4	32.000	-9.659	-592.228	2.913	-170.389	2.743	-4.276	14.118	0.407	-592.228	0.000	2.913	3.584	28.167	0.000	
Element 2-24 (Embedded beam row)	14953	1	32.000	-9.659	-592.228	2.913	-170.389	2.743	-4.276	0.407	-592.228	0.000	2.913	3.584	28.167	0.000	
(pack00003.5.5)	14954	2	32.000	-10.042	-595.328	3.900	-177.408	2.916	-4.210	0.418	-595.328	0.000	3.900	3.593	30.292	0.000	
14955	3	32.000	-10.425	-598.428	4.886	-184.427	3.089	-4.144	15.305	0.419	-598.428	0.000	4.886	3.602	32.417	0.000	
14956	4	32.000	-10.808	-601.528	5.872	-191.446	3.262	-4.078	16.453	0.420	-601.528	0.000	5.872	3.611	34.542	0.000	
Element 2-24 (Embedded beam row)	14957	1	32.000	-10.808	-601.528	5.872	-191.446	3.262	-4.078	0.420	-601.528	0.000	5.872	3.611	34.542	0.000	
(pack00003.5.5)	14958	2	32.000	-11.191	-604.628	6.858	-198.465	3.435	-4.012	0.431	-604.628	0.000	6.858	3.620	36.667	0.000	
14959	3	32.000	-11.574	-607.728	7.844	-205.484	3.608	-3.946	17.550	0.432	-607.728	0.000	7.844	3.629	38.792	0.000	
14960	4	32.000	-11.957	-610.828	8.830	-212.503	3.781	-3.880	18.698	0.433	-610.828	0.000	8.830	3.638	40.917	0.000	
Element 2-24 (Embedded beam row)	14961	1	32.000	-11.957	-610.828	8.830	-212.503	3.781	-3.880	0.433	-610.828	0.000	8.830	3.638	40.917	0.000	
(pack00003.5.5)	14962	2	32.000	-12.340	-613.928	9.816	-219.522	3.954	-3.814	0.444	-613.928	0.000	9.816	3.647	43.042	0.000	
14963	3	32.000	-12.723	-617.02													

Element 2-43 (Embedded beam row)	15013	2	32.000	-33.990	-192.502	-5.915	3.340	55.924	4.962	55.924	1.000	-192.502	0.000	-5.915	0.000	0.000	0.000	3.240
(package3.58)	15014	2	32.000	-34.300	-174.761	-4.101	1.483	56.758	5.418	56.758	1.000	-174.761	0.000	-4.101	0.000	0.000	0.000	1.483
15015	2	32.000	-34.620	-173.843	-2.244	0.280	55.789	6.795	55.789	1.000	-173.843	0.000	-2.244	0.000	0.000	0.000	0.280	
15016	2	32.000	-33.970	-179.278	-0.280	0.000	52.646	6.296	52.646	1.000	-183.233	0.000	0.000	0.000	0.000	0.000	0.000	
15017	1	38.000	-1.500	-596.067	-26.680	83.464	0.000	0.000	0.000	0.000	-506.067	0.000	-26.680	0.000	83.464	0.000	0.000	
Element 3-44 (Embedded beam row)	15018	2	38.000	1.290	-207.265	-27.088	77.822	-0.454	-1.945	0.454	1.000	-507.265	0.000	-27.088	0.000	0.000	0.000	77.822
15019	3	38.000	1.078	-598.562	-27.539	72.681	-0.790	-3.555	0.790	1.000	-508.562	0.000	-27.539	0.000	0.000	0.000	72.681	
15020	4	38.000	0.869	-599.974	-28.167	66.221	-1.566	-2.868	1.566	1.000	-509.974	0.000	-28.167	0.000	0.000	0.000	66.221	
15021	5	38.000	0.658	-511.571	-28.767	60.278	-3.172	-1.613	1.372	1.000	-511.571	0.000	-28.767	0.000	0.000	0.000	60.278	
15022	1	38.000	0.658	-511.445	-28.710	60.228	-2.776	-1.613	1.372	1.000	-511.445	0.000	-28.710	0.000	0.000	0.000	60.228	
Element 3-45 (Embedded beam row)	15023	2	38.000	0.375	-514.245	-28.862	53.053	-4.820	-0.298	4.820	1.000	-514.245	0.000	-28.862	0.000	0.000	0.000	53.053
15024	3	38.000	0.092	-517.401	-28.875	43.851	-6.492	-0.941	0.941	1.000	-517.401	0.000	-28.875	0.000	0.000	0.000	43.851	
15025	4	38.000	0.492	-520.675	-28.488	35.722	-7.773	-3.029	2.773	1.000	-520.675	0.000	-28.488	0.000	0.000	0.000	35.722	
15026	5	38.000	0.475	-524.947	-27.725	27.725	-9.998	-3.998	3.998	1.000	-524.947	0.000	-27.725	0.000	0.000	0.000	27.725	
Element 3-46 (Embedded beam row)	15027	2	38.000	-0.856	-530.341	-26.428	17.426	-9.616	3.983	9.616	1.000	-530.341	0.000	-26.428	0.000	0.000	0.000	17.426
(package3.58)	15028	2	38.000	-1.257	-536.410	-24.767	9.609	-8.309	4.932	8.309	1.000	-536.410	0.000	-24.767	0.000	0.000	0.000	9.609
15029	3	38.000	-1.619	-542.738	-22.617	1.360	-12.052	-6.440	-12.052	1.000	-542.738	0.000	-22.617	0.000	0.000	0.000	-1.360	
15030	4	38.000	-2.000	-549.711	-19.814	-0.448	-16.048	-8.988	-17.476	0.000	-549.711	0.000	-19.814	0.000	0.000	0.000	-0.448	
15031	1	38.000	-2.000	-549.965	-19.883	-0.446	-16.209	-8.988	-17.581	0.000	-549.965	0.000	-19.883	0.000	0.000	0.000	-0.446	
Element 3-47 (Embedded beam row)	15032	2	38.000	-2.500	-554.347	-18.904	-19.080	-3.124	1.306	10.815	0.289	-554.347	0.000	-18.904	0.000	-19.080	0.000	5.580
(package3.58)	15033	2	38.000	-2.500	-558.578	-18.378	-28.391	-2.852	0.793	10.020	0.289	-558.578	0.000	-18.378	0.000	-28.391	0.000	5.580
15034	1	38.000	-3.500	-562.642	-18.103	-37.903	-2.457	0.301	11.036	0.321	-562.642	0.000	-18.103	0.000	-37.903	0.000	3.247	
15035	1	38.000	-4.000	-566.648	-18.077	-45.876	-1.823	0.091	11.159	0.172	-566.648	0.000	-18.077	0.000	-45.876	0.000	2.219	
Element 3-48 (Embedded beam row)	15036	2	38.000	-4.000	-566.648	-18.077	-45.876	-1.823	0.091	11.159	0.172	-566.648	0.000	-18.077	0.000	-45.876	0.000	2.219
15037	1	38.000	-4.775	-573.343	-17.960	-53.304	-12.157	1.105	13.719	0.886	-573.343	0.000	-17.960	0.000	-53.304	0.000	1.680	
15038	3	38.000	-4.750	-579.680	-17.304	-59.916	-10.550	2.129	14.419	0.732	-579.680	0.000	-17.304	0.000	-59.916	0.000	3.289	
15039	4	38.000	-5.125	-585.521	-16.735	-66.243	-9.515	2.875	15.410	0.617	-585.521	0.000	-16.735	0.000	-66.243	0.000	4.111	
15040	5	38.000	-5.500	-590.010	-15.139	-72.159	-8.382	3.492	16.382	0.536	-590.010	0.000	-15.139	0.000	-72.159	0.000	4.118	
15041	1	38.000	-5.425	-590.933	-14.594	-72.739	-8.206	3.487	16.348	0.548	-590.933	0.000	-14.594	0.000	-72.739	0.000	3.758	
Element 3-49 (Embedded beam row)	15042	2	38.000	-5.875	-596.163	-13.758	-77.588	-8.808	3.952	17.991	0.472	-596.163	0.000	-13.758	0.000	-77.588	0.000	2.284
(package3.58)	15043	3	38.000	-6.250	-601.098	-12.218	-82.463	-7.330	4.275	16.951	0.419	-601.098	0.000	-12.218	0.000	-82.463	0.000	1.586
15044	4	38.000	-6.625	-605.789	-10.570	-86.740	-6.303	4.527	17.885	0.373	-605.789	0.000	-10.570	0.000	-86.740	0.000	1.995	
15045	5	38.000	-7.000	-610.236	-8.821	-90.378	-6.079	4.764	18.782	0.329	-610.236	0.000	-8.821	0.000	-90.378	0.000	2.488	
15046	1	38.000	-7.000	-610.236	-8.821	-90.378	-6.079	4.764	18.782	0.329	-610.236	0.000	-8.821	0.000	-90.378	0.000	2.488	
Element 3-50 (Embedded beam row)	15047	2	38.000	-7.375	-614.461	-6.998	-93.347	-5.466	4.974	18.985	0.289	-614.461	0.000	-6.998	0.000	-93.347	0.000	3.038
(package3.58)	15048	3	38.000	-7.750	-618.451	-5.095	-95.617	-4.546	5.173	19.268	0.251	-618.451	0.000	-5.095	0.000	-95.617	0.000	2.617
15049	4	38.000	-8.125	-622.304	-3.118	-97.140	-4.499	5.372	19.101	0.213	-622.304	0.000	-3.118	0.000	-97.140	0.000	2.300	
15050	5	38.000	-8.500	-625.714	-1.067	-97.946	-3.499	5.591	20.342	0.174	-625.714	0.000	-1.067	0.000	-97.946	0.000	2.755	
Element 3-51 (Embedded beam row)	15051	2	38.000	-8.500	-625.714	-1.067	-97.946	-3.499	5.591	20.342	0.174	-625.714	0.000	-1.067	0.000	-97.946	0.000	2.755
15052	3	38.000	-8.875	-629.564	1.041	-97.949	-2.989	5.789	20.375	0.117	-629.564	0.000	1.041	0.000	-97.949	0.000	2.254	
15053	4	38.000	-9.250	-633.012	2.725	-97.145	-1.975	6.063	20.363	0.094	-633.012	0.000	2.725	0.000	-97.145	0.000	1.665	
15054	5	38.000	-9.625	-635.438	5.094	-95.449	-1.008	6.375	21.017	0.048	-635.438	0.000	5.094	0.000	-95.449	0.000	0.991	
15055	1	38.000	-10.000	-638.328	8.317	-92.849	-0.096	7.699	22.303	0.004	-638.328	0.000	8.317	0.000	-92.849	0.000	0.077	
Element 3-52 (Embedded beam row)	15056	1	38.000	-10.000	-638.328	8.317	-92.849	-0.096	7.699	22.303	0.004	-638.328	0.000	8.317	0.000	-92.849	0.000	0.077
(package3.58)	15057	1	38.000	-10.375	-642.410	6.089	-91.013	0.323	8.446	21.619	0.011	-642.410	0.000	6.089	0.000	-91.013	0.000	0.649
15058	2	38.000	-10.750	-646.300	5.707	-88.793	0.745	9.098	22.364	0.037	-646.300	0.000	5.707	0.000	-88.793	0.000	1.056	
15059	3	38.000	-11.125	-650.190	4.049	-85.414	1.173	9.966	22.813	0.051	-650.190	0.000	4.049	0.000	-85.414	0.000	1.595	
15060	4	38.000	-11.500	-654.135	1.107	-79.817	1.607	1.809	23.561	0.089	-654.135	0.000	1.107	0.000	-79.817	0.000	2.307	
Element 3-53 (Embedded beam row)	15061	1	38.000	-11.875	-658.143	11.000	-79.817	1.607	1.809	23.561	0.089	-658.143	0.000	1.107	0.000	-79.817	0.000	2.307
(package3.58)	15062	2	38.000	-11.667	-664.253	11.676	-70.621	2.054	1.844	24.720	0.067	-664.253	0.000	11.676	0.000	-70.621	0.000	1.907
15063	3	38.000	-12.000	-668.420	12.194	-72.040	2.515	1.496	24.770	0.104	-668.420	0.000	12.194	0.000	-72.040	0.000	1.664	
15064	4	38.000	-12.375	-672.831	12.653	-73.926	2.966	2.312	25.835	0.129	-672.831	0.000	12.653	0.000	-73.926	0.000	1.206	
15065	5	38.000	-12.667	-677.886	13.051	-83.611	3.466	3.104	26.076	0.138	-677.886	0.000	13.051	0.000	-83.611	0.000	0.537	
Element 3-54 (Embedded beam row)	15066	1	38.000	-12.667	-677.886	13.051	-83.611	3.466	3.104	26.076	0.138	-677.886	0.000	13.051	0.000	-83.611	0.000	0.537
(package3.58)	15067	2	38.000	-13.000	-681.676	13.389	-99.204	3.956	0.919	25.577	0.155	-681.676	0.000	-13.000	0.000	-99.204	0.000	5.195
15068	3	38.000	-13.375	-685.103	13.664	-84.602	4.484	0.712	26.004	0.171	-685.103	0.000	-13.375	0.000	-84.602	0.000	4.023	
15069	4	38.000	-13.667	-688.260	13.926	-81.378	4.976	0.568	26.355	0.178	-688.260	0.000	-13.667	0.000	-81.378	0.000	3.144	
15070	5	38.000	-14.000	-691.435	14.025	-55.449	5.476	0.350	26.649	0.200	-691.435	0.000	-14.000	0.000	-55.449	0.000	2.660	
Element 3-55 (Embedded beam row)	15071	1	38.000	-14.000	-691.435	14.025	-55.449	5.476	0.350	26.649	0.200	-691.435	0.000	-14.000	0.000	-55.449	0.000	2.660
(package3.58)	15072	2	38.000	-14.375	-694.367	14.109	-40.759	5.997	0.159	27.413	0.219	-694.367	0.000	-14.375	0.000	-40.759	0.000	4.472
15073	3	38.000	-14.667	-697.498	14.113	-36.050	6.521	-0.011	27.919	0.252	-697.498	0.000	-14.667	0.000	-36.050	0.000	3.281	
15074	4	38.000	-15.000	-700.825	14.088	-31.366	7.048	-0.244	28.488	0.278	-700.825	0.000	-15.000	0.000	-31.366	0.000	2.291	
15075	5	38.000	-15.375	-704.607	13.984	-26.664	7.578	-0.484	28.987	0.262	-704.607	0.000	-15.375	0.000	-26.664	0.000	1.897	
Element 3-56 (Embedded beam row)	15076	1	38.000	-15.375	-704.6													

18.3 SLU11 q=69kPa b=46kN/m [Phase_11] (11/79)

Structural element	Node (ID)	Local number	X (m)	Y (m)	N (kN/m)	O (kN/m)	M (kN/m)	Tan (kN/m)	Tw (kN/m)	Tmax (kN/m)	Tmin (kN/m)	Nax (kN/m)	Nay (kN/m)	Oax (kN/m)	Oay (kN/m)	Mxx (kN/m)	Myy (kN/m)	Mxy (kN/m)	Mzz (kN/m)	
EmbeddedBeam_0_1	14843	1	26.000	1.500	-994.811	-32.858	97.368	0.000	0.000	0.000	0.000	-994.811	0.000	-38.342	11.522	-81.852	154.842			
Element 1-1 (Embedded beam row)	14844	2	26.000	1.325	-495.751	-16.929	91.614	-0.547	-0.121	0.586	0.934	-495.751	0.000	-19.171	5.761	-40.926	77.919	147.763		
EmbeddedBeam_0_1	14845	1	26.000	1.150	-996.937	-32.899	88.854	-0.255	0.200	0.900	0.981	-996.937	0.000	-38.668	11.451	-77.931	144.105			
Element 1-2 (Embedded beam row)	14846	2	26.000	0.975	-498.228	-17.244	84.100	-2.884	0.449	1.072	0.952	-498.228	0.000	-37.828	11.405	-75.921	134.429			
EmbeddedBeam_0_1	14847	1	26.000	0.800	-999.887	-32.741	81.362	-3.267	0.779	1.252	0.941	-999.887	0.000	-37.665	11.351	-72.977	127.877			
Element 1-3 (Embedded beam row)	14848	2	26.000	0.625	-501.816	-17.148	75.610	-4.658	0.969	1.425	0.915	-501.816	0.000	-37.502	11.297	-71.022	121.429			
EmbeddedBeam_0_1	14849	1	26.000	0.450	-1002.639	-32.635	72.906	-4.658	1.467	1.592	0.869	-1002.639	0.000	-37.339	11.243	-69.070	115.000			
Element 1-4 (Embedded beam row)	14850	2	26.000	0.275	-505.414	-17.052	65.162	-6.048	1.340	1.658	0.823	-505.414	0.000	-37.176	11.189	-67.117	108.574			
EmbeddedBeam_0_1	14851	1	26.000	0.100	-1006.261	-32.546	62.200	-4.989	1.667	1.817	0.777	-1006.261	0.000	-37.013	11.135	-65.158	102.086			
Element 1-5 (Embedded beam row)	14852	2	26.000	-0.075	-509.010	-16.966	54.250	-7.437	1.396	1.711	0.731	-509.010	0.000	-36.850	11.081	-63.205	95.654			
EmbeddedBeam_0_1	14853	1	26.000	-0.250	-1010.042	-32.483	51.186	-5.487	1.642	1.867	0.686	-1010.042	0.000	-36.687	11.027	-61.246	89.179			
Element 1-6 (Embedded beam row)	14854	2	26.000	-0.425	-512.881	-16.890	42.134	-8.885	1.363	1.920	0.640	-512.881	0.000	-36.524	10.973	-59.287	82.794			
EmbeddedBeam_0_1	14855	1	26.000	-0.600	-1013.853	-32.433	38.000	-6.983	1.620	1.971	0.594	-1013.853	0.000	-36.361	10.919	-57.328	76.329			
Element 1-7 (Embedded beam row)	14856	2	26.000	-0.775	-516.945	-16.842	28.850	-10.476	1.340	2.022	0.548	-516.945	0.000	-36.198	10.865	-55.370	70.000			
EmbeddedBeam_0_1	14857	1	26.000	-0.950	-1017.698	-32.407	33.750	-9.076	1.600	2.073	0.502	-1017.698	0.000	-36.035	10.811	-53.411	63.549			
Element 1-8 (Embedded beam row)	14858	2	26.000	-1.125	-521.010	-16.808	24.600	-12.665	1.320	2.124	0.456	-521.010	0.000	-35.872	10.757	-51.452	57.000			
EmbeddedBeam_0_1	14859	1	26.000	-1.300	-1021.564	-32.400	30.600	-10.656	1.599	2.175	0.410	-1021.564	0.000	-35.709	10.703	-49.493	50.500			
Element 1-9 (Embedded beam row)	14860	2	26.000	-1.475	-525.630	-16.776	20.350	-15.845	1.280	2.226	0.364	-525.630	0.000	-35.546	10.649	-47.534	44.000			
EmbeddedBeam_0_1	14861	1	26.000	-1.650	-1025.442	-32.400	27.500	-12.834	1.589	2.277	0.318	-1025.442	0.000	-35.383	10.595	-45.575	37.500			
Element 1-10 (Embedded beam row)	14862	2	26.000	-1.825	-530.507	-16.744	17.100	-19.033	1.260	2.328	0.272	-530.507	0.000	-35.220	10.541	-43.616	31.000			
EmbeddedBeam_0_1	14863	1	26.000	-2.000	-1029.390	-32.400	24.750	-14.022	1.588	2.379	0.226	-1029.390	0.000	-35.057	10.487	-41.657	24.500			
Element 1-11 (Embedded beam row)	14864	2	26.000	-2.175	-535.382	-16.712	13.850	-25.231	1.240	2.430	0.180	-535.382	0.000	-34.894	10.433	-39.698	18.000			
EmbeddedBeam_0_1	14865	1	26.000	-2.350	-1033.339	-32.400	22.000	-16.011	1.587	2.481	0.134	-1033.339	0.000	-34.731	10.379	-37.739	11.500			
Element 1-12 (Embedded beam row)	14866	2	26.000	-2.525	-539.272	-16.680	9.600	-31.420	1.220	2.532	0.088	-539.272	0.000	-34.568	10.325	-35.780	5.000			
EmbeddedBeam_0_1	14867	1	26.000	-2.700	-1037.282	-32.400	19.250	-17.999	1.585	2.583	0.042	-1037.282	0.000	-34.405	10.271	-33.821	-0.500			
Element 1-13 (Embedded beam row)	14868	2	26.000	-2.875	-543.165	-16.648	5.350	-38.809	1.200	2.634	0.000	-543.165	0.000	-34.242	10.217	-31.862	-6.000			
EmbeddedBeam_0_1	14869	1	26.000	-3.050	-1041.283	-32.400	16.500	-19.798	1.583	2.685	-0.046	-1041.283	0.000	-34.079	10.163	-29.903	-11.500			
Element 1-14 (Embedded beam row)	14870	2	26.000	-3.225	-547.166	-16.616	1.100	-47.197	1.180	2.736	-0.100	-547.166	0.000	-33.916	10.109	-27.944	-17.000			
EmbeddedBeam_0_1	14871	1	26.000	-3.400	-1045.288	-32.400	13.750	-21.597	1.581	2.787	-0.154	-1045.288	0.000	-33.753	10.055	-25.985	-22.500			
Element 1-15 (Embedded beam row)	14872	2	26.000	-3.575	-551.278	-16.584	-3.150	-50.586	1.160	2.838	-0.208	-551.278	0.000	-33.590	10.001	-24.026	-28.000			
EmbeddedBeam_0_1	14873	1	26.000	-3.750	-1049.390	-32.400	11.000	-23.396	1.579	2.889	-0.262	-1049.390	0.000	-33.427	9.947	-22.067	-33.500			
Element 1-16 (Embedded beam row)	14874	2	26.000	-3.925	-555.500	-16.552	-7.400	-54.975	1.140	2.940	-0.316	-555.500	0.000	-33.264	9.893	-20.108	-39.000			
EmbeddedBeam_0_1	14875	1	26.000	-4.100	-1053.490	-32.400	8.250	-25.194	1.577	2.991	-0.370	-1053.490	0.000	-33.101	9.839	-18.149	-44.500			
Element 1-17 (Embedded beam row)	14876	2	26.000	-4.275	-559.730	-16.520	-11.650	-59.364	1.120	3.042	-0.424	-559.730	0.000	-32.938	9.785	-16.190	-50.000			
EmbeddedBeam_0_1	14877	1	26.000	-4.450	-1057.881	-32.400	5.500	-26.993	1.575	3.093	-0.478	-1057.881	0.000	-32.775	9.731	-14.231	-55.500			
Element 1-18 (Embedded beam row)	14878	2	26.000	-4.625	-564.060	-16.488	-15.900	-64.753	1.100	3.144	-0.532	-564.060	0.000	-32.612	9.677	-12.272	-61.000			
EmbeddedBeam_0_1	14879	1	26.000	-4.800	-1062.233	-32.400	2.750	-28.792	1.573	3.195	-0.586	-1062.233	0.000	-32.449	9.623	-10.313	-66.500			
Element 1-19 (Embedded beam row)	14880	2	26.000	-4.975	-568.490	-16.456	-20.150	-70.142	1.080	3.246	-0.640	-568.490	0.000	-32.286	9.569	-8.354	-72.000			
EmbeddedBeam_0_1	14881	1	26.000	-5.150	-1066.643	-32.400	0.000	-30.591	1.571	3.297	-0.694	-1066.643	0.000	-32.123	9.515	-6.395	-77.500			
Element 1-20 (Embedded beam row)	14882	2	26.000	-5.325	-572.920	-16.424	-24.400	-75.531	1.060	3.348	-0.748	-572.920	0.000	-31.960	9.461	-4.436	-83.000			
EmbeddedBeam_0_1	14883	1	26.000	-5.500	-1070.994	-32.400	-2.750	-32.980	1.569	3.399	-0.802	-1070.994	0.000	-31.797	9.407	-2.477	-88.500			
Element 1-21 (Embedded beam row)	14884	2	26.000	-5.675	-577.450	-16.392	-28.650	-80.910	1.040	3.450	-0.856	-577.450	0.000	-31.634	9.353	-0.518	-94.000			
EmbeddedBeam_0_1	14885	1	26.000	-5.850	-1075.300	-32.400	-5.500	-35.970	1.567	3.501	-0.910	-1075.300	0.000	-31.471	9.300	1.441	-99.500			
Element 1-22 (Embedded beam row)	14886	2	26.000	-6.025	-582.080	-16.360	-32.900	-86.289	1.020	3.552	-0.964	-582.080	0.000	-31.308	9.246	3.482	-105.000			
EmbeddedBeam_0_1	14887	1	26.000	-6.200	-1079.663	-32.400	-8.250	-38.960	1.565	3.603	-1.018	-1079.663	0.000	-31.145	9.192	5.523	-110.500			
Element 1-23 (Embedded beam row)	14888	2	26.000	-6.375	-586.810	-16.328	-37.150	-91.668	1.000	3.654	-1.072	-586.810	0.000	-30.982	9.138	7.564	-116.000			
EmbeddedBeam_0_1	14889	1	26.000	-6.550	-1083.970	-32.400	-11.000	-41.950	1.563	3.705	-1.126	-1083.970	0.000	-30.819	9.084	9.605	-121.500			
Element 1-24 (Embedded beam row)	14890	2	26.000	-6.725	-591.640	-16.296	-41.400	-97.057	0.980	3.756	-1.180	-591.640	0.000	-30.656	9.030	11.646	-127.000			
EmbeddedBeam_0_1	14891	1	26.000	-6.900	-1088.300	-32.400	-13.750	-44.940	1.561	3.807	-1.234	-1088.300	0.000	-30.493	8.976	13.687	-132.500			
Element 1-25 (Embedded beam row)	14892	2	26.000	-7.075	-596.470	-16.264	-41.850	-102.446	0.960	3.858	-1.288	-596.470	0.000	-30.330	8.922	15.728	-138.000			
EmbeddedBeam_0_1	14893	1	26.000	-7.250	-1092.630	-32.400	-16.500	-47.930	1.559	3.909	-1.342	-1092.630	0.000	-30.167	8.868	17.769	-143.500			
Element 1-26 (Embedded beam row)	14894	2	26.000	-7.425	-601.300	-16.232	-42.300	-107.841	0.940	3.960	-1.396	-601.300	0.000	-30.004	8.814	19.810	-149.000			
EmbeddedBeam_0_1	14895	1	26.																	

14944	Embed3-15 (Embedded beam row)	14944	32,000	-13,331	-662,890	12,997	-68,730	1,147	3,268	31,663	0.048	-662,890	0.000	0.000	12,997	-68,730	2,796
14945	Embed3-16 (Embedded beam row)	14945	32,000	-14,000	-665,432	15,153	-69,384	1,924	3,177	31,667	0.078	-665,432	0.000	0.000	15,153	-69,384	6,093
14946	Embed3-17 (Embedded beam row)	14946	32,000	-14,000	-665,435	15,148	-69,384	1,924	3,178	24,672	0.078	-665,435	0.000	0.000	15,148	-69,384	6,393
14947	Embed3-18 (Embedded beam row)	14947	32,000	-14,333	-666,556	16,399	-74,160	2,351	3,103	25,190	0.093	-666,556	0.000	0.000	16,399	-74,160	6,735
14948	Embed3-19 (Embedded beam row)	14948	32,000	-14,667	-667,678	17,217	-78,580	2,804	3,028	25,716	0.119	-667,678	0.000	0.000	17,217	-78,580	7,076
14949	Embed3-20 (Embedded beam row)	14949	32,000	-15,000	-668,800	18,035	-83,000	3,257	2,953	26,242	0.145	-668,800	0.000	0.000	18,035	-83,000	7,417
14950	Embed3-21 (Embedded beam row)	14950	32,000	-15,333	-669,922	18,147	-86,460	3,704	2,760	26,768	0.141	-669,922	0.000	0.000	18,147	-86,460	7,747
14951	Embed3-22 (Embedded beam row)	14951	32,000	-15,667	-669,472	20,040	-89,920	4,133	2,605	27,300	0.158	-669,472	0.000	0.000	20,040	-89,920	8,077
14952	Embed3-23 (Embedded beam row)	14952	32,000	-16,000	-669,568	20,879	-93,106	4,871	2,428	27,899	0.175	-669,568	0.000	0.000	20,879	-93,106	8,405
14953	Embed3-24 (Embedded beam row)	14953	32,000	-16,333	-669,673	21,663	-96,034	5,464	2,229	28,511	0.192	-669,673	0.000	0.000	21,663	-96,034	8,734
14954	Embed3-25 (Embedded beam row)	14954	32,000	-16,667	-669,783	22,361	-98,670	5,991	1,994	29,098	0.210	-669,783	0.000	0.000	22,361	-98,670	9,062
14955	Embed3-26 (Embedded beam row)	14955	32,000	-17,000	-669,469	22,982	-101,211	6,722	1,994	29,002	0.210	-669,469	0.000	0.000	22,982	-101,211	9,391
14956	Embed3-27 (Embedded beam row)	14956	32,000	-17,333	-668,927	23,511	-103,586	7,256	1,444	31,156	0.247	-668,927	0.000	0.000	23,511	-103,586	9,662
14957	Embed3-28 (Embedded beam row)	14957	32,000	-17,667	-668,645	24,040	-105,826	8,336	1,416	30,728	0.267	-668,645	0.000	0.000	24,040	-105,826	9,999
14958	Embed3-29 (Embedded beam row)	14958	32,000	-18,000	-667,211	24,258	-107,921	8,973	1,070	31,266	0.286	-667,211	0.000	0.000	24,258	-107,921	10,257
14959	Embed3-30 (Embedded beam row)	14959	32,000	-18,333	-665,820	24,444	-109,966	9,790	1,065	31,974	0.306	-665,820	0.000	0.000	24,444	-109,966	10,526
14960	Embed3-31 (Embedded beam row)	14960	32,000	-18,667	-664,241	24,493	-111,866	10,411	-0,001	32,608	0.326	-664,241	0.000	0.000	24,493	-111,866	10,794
14961	Embed3-32 (Embedded beam row)	14961	32,000	-19,000	-662,874	24,396	-113,624	11,253	-0,516	33,250	0.347	-662,874	0.000	0.000	24,396	-113,624	11,078
14962	Embed3-33 (Embedded beam row)	14962	32,000	-19,333	-661,217	24,350	-115,266	12,429	-0,999	33,998	0.367	-661,217	0.000	0.000	24,350	-115,266	11,366
14963	Embed3-34 (Embedded beam row)	14963	32,000	-19,667	-657,745	23,756	-118,089	13,336	-1,474	34,545	0.387	-657,745	0.000	0.000	23,756	-118,089	11,641
14964	Embed3-35 (Embedded beam row)	14964	32,000	-20,000	-654,964	23,164	-120,922	14,265	-1,960	35,194	0.406	-654,964	0.000	0.000	23,164	-120,922	11,913
14965	Embed3-36 (Embedded beam row)	14965	32,000	-20,333	-651,888	22,412	-124,518	15,244	-2,435	35,852	0.425	-651,888	0.000	0.000	22,412	-124,518	12,188
14966	Embed3-37 (Embedded beam row)	14966	32,000	-20,667	-648,456	21,541	-128,184	16,198	-2,910	36,510	0.445	-648,456	0.000	0.000	21,541	-128,184	12,463
14967	Embed3-38 (Embedded beam row)	14967	32,000	-21,000	-644,730	20,510	-131,926	17,145	-3,395	37,175	0.441	-644,730	0.000	0.000	20,510	-131,926	12,740
14968	Embed3-39 (Embedded beam row)	14968	32,000	-21,333	-640,684	19,352	-135,709	18,086	-3,660	37,839	0.478	-640,684	0.000	0.000	19,352	-135,709	13,019
14969	Embed3-40 (Embedded beam row)	14969	32,000	-21,667	-636,320	18,082	-139,549	19,049	-3,971	38,473	0.495	-636,320	0.000	0.000	18,082	-139,549	13,293
14970	Embed3-41 (Embedded beam row)	14970	32,000	-22,000	-631,636	16,730	-143,452	20,000	-4,232	39,125	0.512	-631,636	0.000	0.000	16,730	-143,452	13,565
14971	Embed3-42 (Embedded beam row)	14971	32,000	-22,333	-626,639	15,287	-147,415	20,977	-4,415	39,742	0.514	-626,639	0.000	0.000	15,287	-147,415	13,840
14972	Embed3-43 (Embedded beam row)	14972	32,000	-22,667	-621,310	13,773	-151,726	21,957	-4,540	40,313	0.545	-621,310	0.000	0.000	13,773	-151,726	14,116
14973	Embed3-44 (Embedded beam row)	14973	32,000	-23,000	-615,651	12,256	-156,463	22,966	-4,699	40,850	0.562	-615,651	0.000	0.000	12,256	-156,463	14,392
14974	Embed3-45 (Embedded beam row)	14974	32,000	-23,333	-609,664	10,660	-161,263	23,982	-4,733	41,363	0.580	-609,664	0.000	0.000	10,660	-161,263	14,667
14975	Embed3-46 (Embedded beam row)	14975	32,000	-23,667	-603,323	9,008	-166,147	25,047	-4,829	41,867	0.598	-603,323	0.000	0.000	9,008	-166,147	14,943
14976	Embed3-47 (Embedded beam row)	14976	32,000	-24,000	-596,611	7,442	-171,092	26,171	-4,914	42,360	0.618	-596,611	0.000	0.000	7,442	-171,092	15,218
14977	Embed3-48 (Embedded beam row)	14977	32,000	-24,333	-589,529	5,786	-176,092	27,382	-5,002	42,843	0.638	-589,529	0.000	0.000	5,786	-176,092	15,493
14978	Embed3-49 (Embedded beam row)	14978	32,000	-24,667	-582,077	4,096	-181,774	28,701	-5,114	43,340	0.663	-582,077	0.000	0.000	4,096	-181,774	15,767
14979	Embed3-50 (Embedded beam row)	14979	32,000	-24,667	-581,958	4,087	-189,774	28,701	-5,174	43,446	0.661	-581,958	0.000	0.000	4,087	-189,774	15,767
14980	Embed3-51 (Embedded beam row)	14980	32,000	-25,000	-574,039	2,337	-194,847	30,193	-5,334	44,083	0.685	-574,039	0.000	0.000	2,337	-194,847	16,047
14981	Embed3-52 (Embedded beam row)	14981	32,000	-25,333	-565,498	0,517	-199,324	31,742	-5,578	44,752	0.709	-565,498	0.000	0.000	0,517	-199,324	16,324
14982	Embed3-53 (Embedded beam row)	14982	32,000	-25,667	-556,216	-1,279	-204,308	33,348	-5,782	45,423	0.738	-556,216	0.000	0.000	-1,279	-204,308	16,601
14983	Embed3-54 (Embedded beam row)	14983	32,000	-26,000	-546,214	-3,119	-209,444	35,018	-5,821	46,191	0.751	-546,214	0.000	0.000	-3,119	-209,444	16,879
14984	Embed3-55 (Embedded beam row)	14984	32,000	-26,000	-546,218	-3,422	-210,404	35,732	-6,006	46,372	1.000	-546,218	0.000	0.000	-3,422	-210,404	17,164
14985	Embed3-56 (Embedded beam row)	14985	32,000	-26,500	-534,648	-7,168	-207,728	48,197	-6,813	48,197	1.000	-534,648	0.000	0.000	-7,168	-207,728	17,728
14986	Embed3-57 (Embedded beam row)	14986	32,000	-27,000	-503,564	-10,223	-203,351	46,888	-5,349	46,888	1.000	-503,564	0.000	0.000	-10,223	-203,351	18,291
14987	Embed3-58 (Embedded beam row)	14987	32,000	-27,500	-482,999	-12,618	-203,252	46,522	-4,402	46,522	1.000	-482,999	0.000	0.000	-12,618	-203,252	18,854
14988	Embed3-59 (Embedded beam row)	14988	32,000	-28,000	-443,713	-16,084	-204,217	46,227	-3,647	46,227	1.000	-443,713	0.000	0.000	-16,084	-204,217	19,417
14989	Embed3-60 (Embedded beam row)	14989	32,000	-28,000	-462,514	-14,400	-205,458	45,078	-2,435	45,078	1.000	-462,514	0.000	0.000	-14,400	-205,458	19,981
14990	Embed3-61 (Embedded beam row)	14990	32,000	-28,500	-434,157	-15,823	-202,252	46,799	-1,635	45,989	1.000	-434,157	0.000	0.000	-15,823	-202,252	20,544
14991	Embed3-62 (Embedded beam row)	14991	32,000	-29,000	-419,600	-16,728	-203,401	47,780	-1,239	47,780	1.000	-419,600	0.000	0.000	-16,728	-203,401	21,107
14992	Embed3-63 (Embedded beam row)	14992	32,000	-29,500	-404,819	-16,689	-204,821	47,960	-0,841	47,960	1.000	-404,819	0.000	0.000	-16,689	-204,821	21,670
14993	Embed3-64 (Embedded beam row)	14993	32,000	-29,500	-404,822	-16,687	-204,821	47,960	-0,841	47,960	1.000	-404,822	0.000	0.000	-16,687	-204,821	21,670
14994	Embed3-65 (Embedded beam row)	14994	32,000	-29,750	-389,862	-16,913	-203,988	48,529	-0,436	48,529	1.000	-389,862	0.000	0.000	-16,913	-203,988	22,233
14995	Embed3-66 (Embedded beam row)	14995	32,000	-30,000	-374,691	-16,993	-204,997	49,097	-0,024	49,097	1.000	-374,691	0.000	0.000	-16,993	-204,997	22,800
14996	Embed3-67 (Embedded beam row)	14996	32,000	-30,450	-359,520	-16,927	-205,497	49,672	0,398	49,672	1.000	-359,520	0.000	0.000	-16,927	-205,497	23,373
14997	Embed3-68 (Embedded beam row)	14997	32,000	-30,800	-343,768	-16,710	-206,245	50,245	0,785	50,245	1.000	-343,768	0.000	0.000	-16,710	-206,245	23,946
14998	Embed3-69 (Embedded beam row)	14998	32,000	-31,150	-327,980	-16,345	-206,778	50,873	1,282	50,873	1.000	-327,980	0.000	0.000	-16,345	-206,778	24,519
14999	Embed3-70 (Embedded beam row)	14999	32,000	-31,500	-311,977	-15,814	-207,344	51,505	1,747	51,505	1.000	-311,977	0.000	0.000	-15,814	-207,344	25,092
15000	Embed3-71 (Embedded beam row)	15000	32,000	-31,850	-296,549	-15,117	-207,325	52,147	2,231	52,147	1.000	-296,549	0.000	0.000	-15,117	-207,325	25,665
15001	Embed3-72 (Embedded beam row)	15001	32,000	-32,200	-280,788	-14,266	-207,838	52,785	2,715	52,785	1.000	-280,788	0.000	0.000	-14,266	-207,838	26,238
15002	Embed3-73 (Embedded beam row)	15002	32,000	-32,550	-279,295	-14,246	-211,521	52,821	3,185	52,821	1.000	-279,295	0.000	0.000	-14,246	-211,521	26,811
15003	Embed3-74 (Embedded beam row)	15003	32,000	-32,550	-262,610	-13,202	-207,374	53,528	3,263	53,528	1.000	-262,610	0.000	0.000	-13,202	-207,374	27,384
15004	Embed3-75 (Embedded beam row)	15004	32,000	-32,900	-245,663	-11,962	-206,964	54,247	3,815	54,247	1.000	-245,663	0.000	0.000	-11,962		

15069	1	38.000	-16.667	-691.799	15.007	8.132	11.290	-1.604	31.000	0.566	-691.799	0.000	-0.883	15.007	-9.758	1.145
Embedd(beamrow)_3_1	15070	1	38.000	-16.667	-691.799	15.007	8.132	11.290	0.291	0.300	-691.799	0.000	-0.923	15.022	-9.783	1.145
Element 3-9 (Embedded beam row)	15070	2	38.000	-17.000	-689.758	14.643	-1.190	-11.924	-1.157	31.507	-689.758	0.000	-0.575	14.643	-6.924	2.963
Embedd(1000_3.8)	15071	1	38.000	-17.333	-687.503	13.240	1.626	12.566	-1.261	32.014	-687.503	0.000	-0.566	13.240	-5.086	2.785
Embedd(1000_3.8)	15072	1	38.000	-17.667	-685.034	11.806	6.802	13.215	-1.346	33.521	-685.034	0.000	-0.566	11.806	-5.566	6.802
Embedd(beamrow)_3_2	15073	1	38.000	-18.000	-682.500	10.342	10.827	13.871	-1.445	35.029	-682.500	0.000	-0.546	10.342	-5.441	10.827
Embedd(1000_3.8)	15074	1	38.000	-18.333	-679.444	12.863	15.154	14.571	-1.445	37.029	-679.444	0.000	-0.556	12.863	-5.441	10.827
Element 3-8 (Embedded beam row)	15074	2	38.000	-18.333	-679.444	12.863	15.154	-1.609	-13.529	0.433	-679.444	0.000	-0.557	13.863	-1.557	15.154
Embedd(1000_3.8)	15075	1	38.000	-18.667	-676.317	12.566	19.400	15.196	-1.511	38.077	-676.317	0.000	-0.577	12.566	-0.781	19.400
Embedd(1000_3.8)	15076	1	38.000	-19.000	-672.967	11.854	23.439	15.865	-1.542	39.524	-672.967	0.000	-0.616	11.854	-1.549	23.439
Embedd(1000_3.8)	15077	1	38.000	-19.333	-669.897	11.338	27.305	16.342	-1.563	40.919	-669.897	0.000	-0.636	11.338	-2.305	27.305
Embedd(1000_3.8)	15078	1	38.000	-19.667	-666.959	10.811	30.985	16.845	-1.563	42.309	-666.959	0.000	-0.656	10.811	-3.086	30.985
Element 3-9 (Embedded beam row)	15079	2	38.000	-19.667	-665.599	10.811	30.987	17.227	-1.576	43.755	-665.599	0.000	-0.696	11.099	-3.097	30.987
Embedd(1000_3.8)	15079	1	38.000	-20.000	-661.566	10.290	34.515	17.922	-1.583	45.191	-661.566	0.000	-0.684	10.290	-3.515	34.515
Embedd(1000_3.8)	15080	1	38.000	-20.333	-657.301	9.761	37.858	18.620	-1.586	46.590	-657.301	0.000	-0.673	9.761	-3.858	37.858
Element 3-6 (Embedded beam row)	15081	1	38.000	-20.667	-652.804	9.232	41.023	19.353	-1.587	47.001	-652.804	0.000	-0.660	9.232	0.000	41.023
Embedd(1000_3.8)	15081	1	38.000	-20.667	-652.797	9.232	41.023	19.353	-1.587	47.003	-652.797	0.000	-0.660	9.232	0.000	41.023
Element 3-6 (Embedded beam row)	15082	2	38.000	-21.000	-648.099	8.704	44.011	20.092	-1.587	47.498	-648.099	0.000	-0.646	8.704	0.000	44.011
Embedd(1000_3.8)	15082	1	38.000	-21.333	-643.061	8.175	46.825	20.851	-1.588	47.996	-643.061	0.000	-0.631	8.175	0.000	46.825
Embedd(1000_3.8)	15083	1	38.000	-21.667	-637.807	7.644	49.462	21.633	-1.592	48.499	-637.807	0.000	-0.614	7.644	0.000	49.462
Embedd(1000_3.8)	15084	1	38.000	-22.000	-632.297	7.113	51.921	22.440	-1.602	49.001	-632.297	0.000	-0.596	7.113	0.000	51.921
Embedd(beamrow)_3_1	15084	1	38.000	-22.000	-632.286	7.111	51.921	22.441	-1.602	49.004	-632.286	0.000	-0.594	7.111	0.000	51.921
Element 3-6 (Embedded beam row)	15086	2	38.000	-22.333	-626.506	6.577	54.202	23.282	-1.622	49.479	-626.506	0.000	-0.572	6.577	0.000	54.202
Embedd(1000_3.8)	15087	1	38.000	-22.667	-620.424	6.030	56.304	24.159	-1.654	50.001	-620.424	0.000	-0.547	6.030	0.000	56.304
Embedd(1000_3.8)	15088	1	38.000	-23.000	-614.042	5.469	58.225	25.084	-1.704	50.492	-614.042	0.000	-0.518	5.469	0.156	58.225
Embedd(1000_3.8)	15089	1	38.000	-23.333	-607.360	4.899	60.000	26.062	-1.771	50.950	-607.360	0.000	-0.481	4.899	0.423	60.000
Element 3-6 (Embedded beam row)	15090	2	38.000	-23.333	-607.350	4.899	60.000	26.062	-1.771	51.011	-607.350	0.000	-0.481	4.899	-0.222	60.000
Embedd(1000_3.8)	15091	1	38.000	-23.667	-600.327	4.388	61.479	27.106	-1.858	51.464	-600.327	0.000	-0.546	4.388	0.282	61.479
Embedd(1000_3.8)	15092	1	38.000	-24.000	-592.929	3.852	62.804	28.230	-1.960	51.900	-592.929	0.000	-0.601	3.852	-0.344	62.804
Embedd(1000_3.8)	15093	1	38.000	-24.333	-585.147	3.298	63.910	29.414	-2.076	52.315	-585.147	0.000	-0.651	3.298	-0.478	63.910
Embedd(1000_3.8)	15094	1	38.000	-24.667	-576.980	2.726	64.785	30.669	-2.202	52.711	-576.980	0.000	-0.694	2.726	-0.473	64.785
Embedd(1000_3.8)	15095	1	38.000	-25.000	-568.438	2.145	65.533	32.091	-2.346	53.090	-568.438	0.000	-0.699	2.145	-0.443	65.533
Element 3-6 (Embedded beam row)	15094	2	38.000	-25.000	-568.348	1.510	65.416	32.101	-2.321	53.953	-568.348	0.000	-0.692	1.510	-0.456	65.416
Embedd(1000_3.8)	15095	1	38.000	-25.333	-559.534	0.921	65.789	33.673	-2.479	54.354	-559.534	0.000	-0.611	0.921	0.355	65.789
Embedd(1000_3.8)	15096	1	38.000	-25.667	-549.501	0.361	65.944	35.459	-2.667	54.833	-549.501	0.000	-0.691	0.361	0.522	65.944
Embedd(1000_3.8)	15097	1	38.000	-26.000	-539.230	-0.254	65.776	37.488	-2.889	55.294	-539.230	0.000	-0.824	-0.254	0.555	65.776
Embedd(1000_3.8)	15098	1	38.000	-26.333	-528.726	-0.864	65.470	40.000	-3.146	55.740	-528.726	0.000	-1.019	-0.864	0.423	65.470
Element 3-6 (Embedded beam row)	15098	2	38.000	-26.333	-528.726	-0.864	65.470	40.000	-3.146	55.740	-528.726	0.000	-1.019	-0.864	0.423	65.470
Embedd(1000_3.8)	15099	2	38.000	-27.000	-499.296	-3.130	63.138	44.488	-2.904	54.238	-499.296	0.000	-1.430	-3.130	0.211	63.138
Embedd(1000_3.8)	15100	1	38.000	-27.333	-489.865	-3.540	63.714	46.285	-3.171	54.708	-489.865	0.000	-1.540	-3.540	0.094	63.714
Embedd(1000_3.8)	15101	1	38.000	-28.000	-460.511	-4.842	59.616	41.104	-3.525	54.164	-460.511	0.000	-1.683	-4.842	0.092	61.616
Embedd(1000_3.8)	15102	1	38.000	-28.333	-450.848	-5.345	59.883	42.981	-3.806	54.619	-450.848	0.000	-1.816	-5.345	0.065	59.883
Element 3-6 (Embedded beam row)	15102	2	38.000	-28.333	-450.848	-5.345	59.883	42.981	-3.806	54.620	-450.848	0.000	-1.816	-5.345	0.065	59.883
Embedd(1000_3.8)	15103	1	38.000	-28.667	-440.944	-5.950	59.599	44.734	-4.076	55.070	-440.944	0.000	-1.930	-5.950	0.007	59.599
Embedd(1000_3.8)	15104	1	38.000	-29.000	-430.304	-6.758	59.157	47.300	-4.379	55.498	-430.304	0.000	-2.034	-6.758	0.000	59.157
Embedd(1000_3.8)	15105	1	38.000	-29.333	-419.950	-7.764	59.391	50.589	-4.714	55.890	-419.950	0.000	-2.119	-7.764	0.000	59.391
Embedd(1000_3.8)	15106	1	38.000	-29.667	-408.989	-8.979	59.349	54.459	-5.083	56.250	-408.989	0.000	-2.189	-8.979	0.000	59.349
Element 3-6 (Embedded beam row)	15107	2	38.000	-29.667	-408.989	-8.979	59.349	54.459	-5.083	56.250	-408.989	0.000	-2.189	-8.979	0.000	59.349
Embedd(1000_3.8)	15108	1	38.000	-30.000	-397.449	-10.028	59.886	60.071	-5.497	56.577	-397.449	0.000	-2.249	-10.028	0.065	59.886
Embedd(1000_3.8)	15109	1	38.000	-30.333	-385.294	-11.299	59.736	65.376	-5.946	56.846	-385.294	0.000	-2.296	-11.299	0.000	59.736
Embedd(1000_3.8)	15110	1	38.000	-30.667	-372.450	-12.846	59.289	70.000	-6.456	57.080	-372.450	0.000	-2.329	-12.846	0.000	59.289
Embedd(1000_3.8)	15111	1	38.000	-31.000	-358.925	-14.697	58.508	75.000	-7.023	57.300	-358.925	0.000	-2.349	-14.697	0.000	58.508
Embedd(1000_3.8)	15112	1	38.000	-31.333	-345.616	-16.868	57.300	80.000	-7.657	57.436	-345.616	0.000	-2.359	-16.868	0.000	57.300
Embedd(1000_3.8)	15113	1	38.000	-31.667	-331.631	-19.389	55.989	85.000	-8.350	57.490	-331.631	0.000	-2.359	-19.389	0.000	55.989
Element 3-6 (Embedded beam row)	15114	2	38.000	-31.667	-331.622	-19.390	55.990	85.000	-8.351	57.490	-331.622	0.000	-2.359	-19.390	0.000	55.990
Embedd(1000_3.8)	15115	1	38.000	-32.000	-317.000	-22.172	54.300	90.000	-9.100	57.570	-317.000	0.000	-2.340	-22.172	0.000	54.300
Embedd(1000_3.8)	15116	1	38.000	-32.333	-299.249	-25.244	52.229	95.000	-9.923	57.619	-299.249	0.000	-2.300	-25.244	0.000	52.229
Embedd(1000_3.8)	15117	1	38.000	-32.667	-280.000	-28.626	49.778	100.000	-10.813	57.639	-280.000	0.000	-2.240	-28.626	0.000	49.778
Element 3-6 (Embedded beam row)	15118	2	38.000	-32.667	-280.000	-28.626	49.778	100.000	-10.813	57.639	-280.000	0.000	-2.240	-28.626	0.000	49.778
Embedd(1000_3.8)	15119	1	38.000	-33.000	-268.333	-32.324	47.000	105.000	-11.758	57.630	-268.333	0.000	-2.160	-32.324	0.	

14896	2	26,000	25,500	-500	-307,829	32,725	279,299	48,224	-25,181	48,224	1,000	-370,802	0,000	-3,765	15,795	0,000	279,299
14897	1	26,000	26,000	0	-268,089	49,816	292,466	48,551	-29,902	48,551	1,000	-383,073	0,000	-3,309	19,646	0,000	292,466
EmbeddedRow 2_1 (Embedded beam row)	14897	1	26,000	-50,000	-486,349	49,816	292,466	54,609	37,981	54,609	1,000	-547,886	0,000	-3,322	19,813	0,000	292,466
Element 1-15 (Embedded beam row)	14900	2	26,000	-26,500	-464,202	2,808	297,987	47,996	-31,797	47,996	1,000	-520,007	0,000	-9,674	2,808	0,000	297,987
14901	1	26,000	27,000	1,000	-443,938	-11,542	295,697	43,666	-25,816	43,666	1,000	-495,228	0,000	-18,941	0,000	0,000	295,697
14902	4	26,000	27,500	-235,262	-23,328	286,869	41,240	-21,115	41,240	1,000	-473,023	0,000	-26,389	0,000	0,000	0,000	286,869
14903	1	26,000	27,200	-20,240	-27,627	41,811	41,811	-41,811	-41,811	41,811	1,000	-41,811	0,000	-41,811	0,000	0,000	41,811
EmbeddedRow 2_1 (Embedded beam row)	14903	1	26,000	-26,000	-407,997	32,847	272,781	39,387	-14,400	39,387	1,000	-452,844	0,000	-30,347	0,000	0,000	272,781
Element 1-16 (Embedded beam row)	14904	2	26,000	-28,457	-392,023	-38,730	256,375	40,882	-91,136	40,882	1,000	-434,119	0,000	-38,730	0,000	0,000	256,375
14905	1	26,000	28,914	375,422	43,591	217,504	41,906	-9,313	41,906	1,000	-415,082	0,000	-43,591	0,000	0,000	0,000	217,504
14906	4	26,000	29,371	-388,883	-47,314	216,681	42,445	-4,956	-4,956	42,445	1,000	-395,381	0,000	-47,314	0,000	0,000	216,681
14907	1	26,000	29,828	-484,268	39,846	184,216	42,854	-4,858	-4,858	42,854	1,000	-476,267	0,000	-49,836	0,000	0,000	184,216
EmbeddedRow 2_1 (Embedded beam row)	14907	1	26,000	-29,828	-442,309	-20,116	184,416	41,885	-4,858	41,885	1,000	-476,209	0,000	-20,116	0,000	0,000	184,416
Element 1-17 (Embedded beam row)	14908	2	26,000	-31,211	-293,431	-51,457	172,829	43,861	2,971	43,861	1,000	-319,510	0,000	-51,457	0,000	0,000	172,829
14909	3	26,000	-32,214	-242,795	-33,784	63,227	45,846	9,176	9,176	45,846	1,000	-320,926	0,000	-33,784	0,000	0,000	63,227
14910	4	26,000	-33,707	-190,916	-26,824	18,387	45,786	16,859	45,786	1,000	-201,341	0,000	-26,824	0,000	0,000	0,000	18,387
14911	1	26,000	-35,000	-136,208	-6,291	48,989	43,427	22,947	22,947	1,000	-148,169	0,000	-6,291	0,000	0,000	0,000	48,989
EmbeddedRow 2_1 (Embedded beam row)	14911	1	26,000	-1,000	-582,109	-25,756	65,532	0,000	0,000	0,000	0,000	-597,855	0,000	-25,756	3,597	237,183	65,532
Element 1-18 (Embedded beam row)	14913	2	32,000	1,200	-583,422	44,940	56,005	-1,030	4,405	1,030	1,000	-598,355	0,000	-44,940	3,365	36,474	57,284
14914	3	32,000	1,079	-584,833	-33,880	46,685	-1,217	5,912	1,217	5,912	1,000	-599,717	0,000	-33,880	3,362	-25,766	46,685
14915	4	32,000	0,889	-586,385	-42,635	37,545	-2,064	6,105	2,064	6,105	1,000	-601,355	0,000	-42,635	3,356	25,099	40,877
14916	5	32,000	0,688	-588,122	-41,268	28,718	-3,044	6,019	3,044	6,019	1,000	-603,063	0,000	-41,268	3,499	24,284	34,198
EmbeddedRow 2_1 (Embedded beam row)	14916	1	32,000	0,688	-588,099	-41,217	28,718	-3,020	6,019	3,020	1,000	-603,066	0,000	-41,217	3,351	24,254	33,199
Element 2-19 (Embedded beam row)	14917	2	32,000	0,375	-591,185	-39,637	17,256	-5,089	5,859	5,859	1,000	-605,255	0,000	-39,637	3,341	23,406	26,888
14918	3	32,000	0,092	-594,193	-37,995	5,239	-5,167	5,727	6,029	6,029	1,000	-607,805	0,000	-37,995	3,333	22,461	21,473
14919	4	32,000	0,092	-597,223	-36,387	4,278	-5,244	5,622	6,441	6,441	1,000	-609,754	0,000	-36,387	3,327	21,526	16,298
14920	5	32,000	-0,475	-600,271	-34,811	-14,359	-5,315	5,536	6,620	6,620	1,000	-612,072	0,000	-34,811	3,324	20,576	11,350
EmbeddedRow 2_1 (Embedded beam row)	14920	1	32,000	0,475	-600,318	-34,809	-14,359	-5,315	5,536	6,620	1,000	-612,073	0,000	-34,809	3,325	20,576	11,350
Element 2-20 (Embedded beam row)	14921	2	32,000	0,856	-604,422	-32,716	27,228	-5,474	5,436	6,842	0,800	-615,296	0,000	-32,716	3,327	-27,228	5,022
14922	3	32,000	-1,277	-608,611	-30,663	29,312	-5,625	5,334	7,071	7,071	1,000	-618,389	0,000	-30,663	3,342	-39,312	6,000
14923	4	32,000	-1,619	-612,901	-28,654	30,621	-5,796	5,306	7,462	7,462	1,000	-621,621	0,000	-28,654	3,371	-50,621	6,000
14924	5	32,000	-2,000	-617,232	-26,693	31,169	-6,022	5,035	7,998	7,998	1,000	-625,002	0,000	-26,693	3,413	-61,169	6,000
EmbeddedRow 2_1 (Embedded beam row)	14924	1	32,000	-2,000	-617,232	-26,693	31,169	-6,022	5,035	7,998	1,000	-625,002	0,000	-26,693	3,413	-61,169	6,000
Element 2-21 (Embedded beam row)	14925	2	32,000	-2,500	-620,433	-26,191	24,389	-1,391	1,022	6,846	0,203	-628,007	0,000	-26,191	3,422	-74,389	6,000
14926	3	32,000	-3,000	-624,113	-25,688	20,537	-1,560	0,963	7,007	7,007	1,000	-631,167	0,000	-25,688	3,445	-87,357	6,000
14927	4	32,000	-3,500	-627,870	-25,251	16,093	-1,701	0,809	7,024	7,024	1,000	-634,378	0,000	-25,251	3,494	-100,093	6,000
14928	5	32,000	-4,000	-631,299	-24,877	11,219	-1,919	0,493	6,877	6,877	1,000	-637,685	0,000	-24,877	3,546	-112,619	6,000
EmbeddedRow 2_1 (Embedded beam row)	14928	1	32,000	-4,000	-631,299	-24,877	11,219	-1,919	0,493	6,877	1,000	-637,685	0,000	-24,877	3,546	-112,619	6,000
Element 2-22 (Embedded beam row)	14929	2	32,000	-4,275	-636,259	-23,916	31,729	-8,616	2,479	8,616	1,000	-641,979	0,000	-23,916	3,678	-121,729	6,000
14930	3	32,000	-4,750	-640,834	-22,971	30,203	-9,888	1,945	2,902	9,888	1,000	-646,666	0,000	-22,971	3,781	-134,203	6,000
14931	4	32,000	-5,125	-645,055	-22,253	18,978	-7,292	1,818	3,271	9,818	1,000	-651,342	0,000	-22,253	3,883	-146,878	6,000
14932	5	32,000	-5,500	-649,948	-21,623	11,201	-7,331	2,114	3,613	10,331	1,000	-656,023	0,000	-21,623	3,963	-159,730	6,000
EmbeddedRow 2_1 (Embedded beam row)	14932	1	32,000	-5,500	-649,948	-21,623	11,201	-7,331	2,114	3,613	1,000	-656,023	0,000	-21,623	3,963	-159,730	6,000
Element 2-23 (Embedded beam row)	14933	2	32,000	-5,875	-655,618	-20,720	155,129	-4,784	2,282	10,691	0,628	-660,749	0,000	-20,720	4,037	-155,129	6,000
14934	3	32,000	-6,250	-661,485	-19,786	9,488	-4,898	2,408	11,426	11,426	1,000	-665,756	0,000	-19,786	4,096	-168,299	6,000
14935	4	32,000	-6,625	-667,578	-18,676	-169,538	-6,167	2,479	8,616	11,856	0,521	-670,977	0,000	-18,676	4,199	-169,538	6,000
14936	5	32,000	-7,000	-669,890	-17,453	-176,715	-5,997	1,537	12,298	12,298	1,000	-676,391	0,000	-17,453	4,297	-176,715	6,000
EmbeddedRow 2_1 (Embedded beam row)	14936	1	32,000	-7,000	-669,947	-17,451	-176,715	-5,995	1,536	12,294	0,488	-676,444	0,000	-17,451	4,299	-176,715	6,000
Element 2-24 (Embedded beam row)	14937	2	32,000	-7,375	-674,189	-16,019	-182,963	-5,879	4,086	12,678	0,464	-681,189	0,000	-16,019	4,392	-182,963	6,000
14938	3	32,000	-7,750	-678,428	-14,268	188,699	-3,788	4,708	13,028	13,028	1,000	-686,268	0,000	-14,268	4,482	-188,699	6,000
14939	4	32,000	-8,125	-682,811	-12,479	8,359	-4,001	5,356	13,345	13,345	1,000	-691,611	0,000	-12,479	4,573	-193,249	6,000
14940	5	32,000	-8,500	-686,730	-10,347	-198,028	-5,216	5,998	13,645	13,645	1,000	-696,716	0,000	-10,347	4,674	-198,028	6,000
EmbeddedRow 2_1 (Embedded beam row)	14940	1	32,000	-8,500	-686,716	-10,278	-198,028	-5,211	5,994	13,551	0,384	-696,716	0,000	-10,278	4,674	-198,028	6,000
Element 2-25 (Embedded beam row)	14941	2	32,000	-8,875	-690,600	-8,037	-201,473	-4,619	6,569	14,025	0,329	-699,600	0,000	-8,037	4,676	-201,473	6,000
14942	3	32,000	-9,250	-694,292	-5,366	-204,002	-3,490	7,131	14,642	14,642	0,279	-704,292	0,000	-5,366	4,694	-204,002	6,000
14943	4	32,000	-9,625	-697,821	-2,894	-206,641	-2,134	7,699	15,152	15,152	0,229	-709,021	0,000	-2,894	4,712	-206,641	6,000
14944	5	32,000	-10,000	-701,097	1,412	-209,411	-3,065	8,155	15,666	15,666	0,196	-713,997	0,000	1,412	4,731	-209,411	6,000
EmbeddedRow 2_1 (Embedded beam row)	14944	1	32,000	-10,000	-701,082	1,484	-209,411	-3,091	2,935	15,802	0,000	-713,982	0,000	1,484	4,731	-209,411	6,000
14945	2	32,000	-10,375	-703,205	2,556	-209,941	-4,166	3,361	15,938	15,938	0,000	-718,205	0,000	2,556	4,751	-209,941	6,000
14946	3	32,000	-10,667	-705,238	3,729	-209,995	-5,002	3,691	16,072	16,072	0,000	-722,238	0,000	3,729	4,770	-209,995	6,000
14947	4	32,000	-10,958	-707,113	4,911	-210,000	-5,826	4,009	16,206	16,206	0,000	-726,113	0,000	4,911	4,789	-210,000	6,000
14948	5	32,000	-11,333	-709,001	6,149	-210,556	-6,267	4,090	16,345	16,345	0,000	-729,901	0,000	6,149	4,789	-210,556	6,000
EmbeddedRow 2_1 (Embedded beam row)	14948	1	32,000	-11,333	-708,981	6,136	-210,556	-6,208	4,090	16,368	0,016	-729,881	0,000	6,136	4,789	-210,556	6,000
Element 2-27 (Embedded beam row)	14949	2	32,000	-11,667	-710,686	7,374	-198,213	0,736	4,277	16,504	0,044	-734,686	0,000	7,374	4,829		

Element 2-41 (Embedded beam row)	15013	2	32.000	-13.950	-187.996	-12.374	7.044	-49.263	9.252	-49.263	1.000	-194.652	0.000	-12.374	0.000	0.000	7.044
(psal0001.5.8)	15014	3	32.000	-14.300	-172.394	-8.872	1.309	49.263	10.716	50.913	1.000	-176.580	0.000	-8.872	0.000	0.000	3.309
15015	4	32.000	-14.650	-140.599	-8.821	6.097	52.624	12.286	32.244	22.244	1.000	-158.516	0.000	-8.821	0.000	0.000	6.097
15016	5	32.000	-15.000	-179.873	-8.209	24.088	15.808	24.088	0.000	15.808	1.000	-152.513	0.000	-8.209	0.000	0.000	24.088
15017	1	38.000	1.800	-614.184	-59.481	94.182	0.000	0.000	0.000	-614.184	0.000	-59.481	0.000	-59.481	0.000	0.000	109.648
Element 3-44 (Embedded beam row)	15018	2	38.000	1.200	-615.319	-59.491	81.631	-0.870	1.565	0.870	1.000	-615.319	0.000	-59.491	0.000	0.000	96.968
(psal0001.5.8)	15019	3	38.000	1.079	-616.681	-59.233	69.158	-1.137	0.557	1.137	1.000	-616.681	0.000	-59.233	0.000	0.000	96.961
15020	4	38.000	0.869	-618.255	-58.927	26.700	-2.062	1.720	3.002	3.002	0.993	-618.255	0.000	-58.927	0.000	0.000	98.328
15021	5	38.000	0.658	-620.271	-58.832	41.838	-4.798	5.046	6.302	6.302	0.921	-620.271	0.000	-58.832	0.000	0.000	97.829
15022	1	38.000	0.658	-620.100	-58.481	41.838	-1.969	3.046	1.969	1.969	1.000	-620.100	0.000	-58.481	0.000	0.000	97.829
Element 3-45 (Embedded beam row)	15023	2	38.000	0.375	-622.908	-57.379	27.921	-5.240	4.653	5.240	1.000	-622.908	0.000	-57.379	0.000	0.000	63.948
(psal0001.5.8)	15024	3	38.000	0.092	-626.385	-55.838	11.871	-7.423	6.796	7.423	1.000	-626.385	0.000	-55.838	0.000	0.000	59.528
15025	4	38.000	-0.192	-629.608	-53.878	-3.881	-8.300	7.601	8.378	8.378	0.978	-629.608	0.000	-53.878	0.000	0.000	3.881
15026	5	38.000	-0.475	-633.823	-52.438	-12.414	-9.426	10.090	10.799	10.799	0.986	-633.823	0.000	-52.438	0.000	0.000	18.614
15027	1	38.000	-0.475	-633.907	-51.552	-18.614	-8.208	8.543	8.208	8.208	1.000	-633.907	0.000	-51.552	0.000	0.000	28.281
Element 3-46 (Embedded beam row)	15028	2	38.000	-0.856	-639.442	-48.032	-37.613	-9.431	10.048	9.431	1.000	-639.442	0.000	-48.032	0.000	0.000	-37.613
(psal0001.5.8)	15029	3	38.000	-1.277	-645.215	-43.900	-55.166	-9.471	11.405	9.471	1.000	-645.215	0.000	-43.900	0.000	0.000	-55.166
15030	4	38.000	-1.618	-651.894	-39.139	-73.022	-11.556	13.441	11.556	13.441	1.000	-651.894	0.000	-39.139	0.000	0.000	-73.022
15031	5	38.000	-2.000	-659.423	-32.529	-94.607	-14.289	16.023	14.289	16.023	1.000	-659.423	0.000	-32.529	0.000	0.000	-14.289
Element 3-47 (Embedded beam row)	15032	1	38.000	-2.000	-658.482	-33.522	-94.924	-4.528	5.268	5.268	0.973	-658.482	0.000	-33.522	0.000	0.000	-84.924
15033	2	38.000	-2.500	-663.539	-31.783	-101.234	-4.392	3.159	9.886	9.886	0.444	-663.539	0.000	-31.783	0.000	0.000	-101.234
Element 3-48 (Embedded beam row)	15034	3	38.000	-3.000	-668.366	-30.353	-116.757	-3.985	2.604	9.945	0.401	-668.366	0.000	-30.353	0.000	0.000	-116.757
(psal0001.5.8)	15035	4	38.000	-3.500	-672.560	-29.259	-131.651	-3.774	1.818	11.828	0.377	-672.560	0.000	-29.259	0.000	0.000	-131.651
15036	5	38.000	-4.000	-676.283	-28.250	-146.077	-3.889	0.623	15.249	15.249	0.289	-676.283	0.000	-28.250	0.000	0.000	-146.077
Element 3-49 (Embedded beam row)	15037	1	38.000	-4.000	-675.128	-28.653	-146.077	-10.726	5.192	10.726	0.000	-675.128	0.000	-28.653	0.000	0.000	-146.077
15038	2	38.000	-4.758	-683.387	-26.376	-156.404	-11.267	6.508	11.266	0.998	-683.387	0.000	-26.376	0.000	0.000	-156.404	
Element 3-50 (Embedded beam row)	15039	3	38.000	-4.750	-689.666	-23.768	-168.817	-11.317	7.435	12.039	0.940	-689.666	0.000	-23.768	0.000	0.000	-168.817
(psal0001.5.8)	15040	4	38.000	-5.500	-696.032	-20.842	-174.194	-11.520	8.196	13.226	0.871	-696.032	0.000	-20.842	0.000	0.000	-174.194
15041	5	38.000	-6.250	-702.433	-17.616	-181.412	-10.213	8.798	14.408	0.758	-702.433	0.000	-17.616	0.000	0.000	-181.412	
Element 3-51 (Embedded beam row)	15042	1	38.000	-6.500	-703.813	-17.667	-181.412	-10.712	7.878	14.265	0.713	-703.813	0.000	-17.667	0.000	0.000	-181.412
15043	2	38.000	-6.875	-708.212	-14.288	-187.403	-9.753	9.024	14.775	0.660	-708.212	0.000	-14.288	0.000	0.000	-187.403	
Element 3-52 (Embedded beam row)	15044	3	38.000	-6.250	-713.759	-10.894	-192.124	-8.848	9.957	14.915	0.593	-713.759	0.000	-10.894	0.000	0.000	-192.124
(psal0001.5.8)	15045	4	38.000	-6.625	-718.975	-7.511	-195.876	-7.985	8.970	15.886	0.522	-718.975	0.000	-7.511	0.000	0.000	-195.876
15046	5	38.000	-7.000	-723.899	-4.161	-197.763	-7.183	8.460	15.826	0.452	-723.899	0.000	-4.161	0.000	0.000	-197.763	
Element 3-53 (Embedded beam row)	15047	1	38.000	-7.000	-723.868	-3.202	-197.763	-6.160	7.848	15.826	0.452	-723.868	0.000	-3.202	0.000	0.000	-197.763
15048	2	38.000	-7.375	-728.404	-1.136	-198.759	-6.099	6.003	15.278	0.393	-728.404	0.000	-1.136	0.000	0.000	-198.759	
Element 3-54 (Embedded beam row)	15049	3	38.000	-7.750	-732.420	1.195	-198.637	-4.737	5.986	15.267	0.398	-732.420	0.000	-1.195	0.000	0.000	-198.637
(psal0001.5.8)	15050	4	38.000	-8.125	-736.028	4.598	-199.429	-3.407	5.735	15.708	0.311	-736.028	0.000	-4.598	0.000	0.000	-199.429
15051	5	38.000	-8.500	-739.667	7.283	-195.898	-1.727	5.227	16.702	0.167	-739.667	0.000	-7.283	0.000	0.000	-195.898	
Element 3-55 (Embedded beam row)	15052	1	38.000	-8.500	-739.835	7.418	-195.898	-1.322	5.224	16.702	0.168	-739.835	0.000	-7.418	0.000	0.000	-195.898
15053	2	38.000	-8.875	-743.527	6.984	-191.959	-0.161	6.859	16.132	0.019	-743.527	0.000	6.984	0.000	0.000	-191.959	
Element 3-56 (Embedded beam row)	15054	3	38.000	-6.250	-742.187	12.543	-187.762	2.167	7.213	16.300	0.112	-742.187	0.000	12.543	0.000	0.000	-187.762
(psal0001.5.8)	15055	4	38.000	-6.625	-743.888	15.439	-182.521	5.039	6.118	16.547	0.266	-743.888	0.000	15.439	0.000	0.000	-182.521
15056	5	38.000	-7.000	-745.523	18.614	-176.147	8.449	9.655	16.931	0.499	-745.523	0.000	18.614	0.000	0.000	-176.147	
Element 3-57 (Embedded beam row)	15057	1	38.000	-7.000	-745.523	18.614	-176.147	2.222	5.284	16.499	0.168	-745.523	0.000	18.614	0.000	0.000	-176.147
15058	2	38.000	-7.375	-749.199	14.913	-171.811	3.915	5.919	17.128	0.261	-749.199	0.000	14.913	0.000	0.000	-171.811	
Element 3-58 (Embedded beam row)	15059	3	38.000	-7.750	-754.814	20.551	-163.602	4.325	7.151	17.228	0.245	-754.814	0.000	20.551	0.000	0.000	-163.602
(psal0001.5.8)	15060	4	38.000	-8.125	-759.193	21.446	-156.060	5.084	2.651	17.447	0.288	-759.193	0.000	21.446	0.000	0.000	-156.060
15061	5	38.000	-8.500	-763.519	21.307	-148.768	5.869	2.453	18.052	0.325	-763.519	0.000	21.307	0.000	0.000	-148.768	
Element 3-59 (Embedded beam row)	15062	1	38.000	-11.321	-765.186	22.900	-148.768	8.873	2.454	18.071	0.325	-765.186	0.000	22.900	0.000	0.000	-148.768
15063	2	38.000	-11.667	-769.932	21.098	-141.203	6.679	2.245	18.478	0.361	-769.932	0.000	21.098	0.000	0.000	-141.203	
Element 3-60 (Embedded beam row)	15064	3	38.000	-12.000	-774.804	20.263	-133.974	7.499	2.246	18.796	0.407	-774.804	0.000	20.263	0.000	0.000	-133.974
(psal0001.5.8)	15065	4	38.000	-12.375	-779.805	18.291	-125.932	8.315	2.245	19.100	0.444	-779.805	0.000	18.291	0.000	0.000	-125.932
15066	5	38.000	-12.667	-784.518	16.293	-116.980	9.110	2.042	19.377	0.471	-784.518	0.000	16.293	0.000	0.000	-116.980	
Element 3-61 (Embedded beam row)	15067	1	38.000	-12.667	-784.505	16.290	-116.980	9.111	2.042	19.346	0.471	-784.505	0.000	16.290	0.000	0.000	-116.980
15068	2	38.000	-13.000	-789.119	14.293	-108.440	10.118	1.905	19.943	0.508	-789.119	0.000	14.293	0.000	0.000	-108.440	
Element 3-62 (Embedded beam row)	15069	3	38.000	-13.375	-793.855	12.198	-99.426	11.066	1.741	20.349	0.546	-793.855	0.000	12.198	0.000	0.000	-99.426
(psal0001.5.8)	15070	4	38.000	-13.750	-798.767	10.189	-90.216	12.013	1.581	20.749	0.584	-798.767	0.000	10.189	0.000	0.000	-90.216
15071	5	38.000	-14.000	-798.967	7.996	-81.619	13.114	1.348	21.175	0.621	-798.967	0.000	7.996	0.000	0.000	-81.619	
Element 3-63 (Embedded beam row)	15072	1	38.000	-14.000	-798.976	7.992	-81.619	13.115	1.348	21.177	0.621	-798.976	0.000	7.992	0.000	0.000	-81.619
15073	2	38.000	-14.375	-803.729	5.995	-72.553	14.234	1.135	21.611	0.659	-803.729	0.000	5.995	0.000	0.000	-72.553	
Element 3-64 (Embedded beam row)	15074	3	38.000	-14.667	-808.415	28.349	-62.925	15.347	0.916	22.050	0.696	-808.415	0.000	28.349	0.000	0.000	-62.925
(psal0001.5.8)	15075	4	38.000	-15.000	-813.263	26.806	-53.637	16.489	0.746	22.491	0.734	-813.263	0.000	26.806	0.000	0.000	-53.637
15076	5	38.000	-15.375	-818.286	28.806	-43.887	17.696	0.436	22.943	0.772	-818.286	0.000	28.806	0.000	0.000	-43.887	
Element 3-65 (Embedded beam row)	15077	1	38.000	-15.375	-818.286	28.806	-43.887	17.696									

18.5 SLV [Phase_15] (17/157)

Structural element	Node (10°)	Local number	X (m)	Y (m)	N (kN/m)	O (kN/m)	M (kN/m)	Tax (kN/m/m)	TBy (kN/m/m)	TByss (kN/m/m)	TByss	Nax (kN/m)	Nax	Oax (kN/m)	Oax	Max (kN/m)	Max
Element 1-1 (Embedded beam row)	14843	1	26.000	1.500	-504.770	-84.239	23.750	0.000	0.000	0.000	0.000	-504.770	-84.239	23.752	-81.982	23.750	81.982
(quad0001.5.8)	14844	2	26.000	1.325	-505.688	-84.172	20.322	-0.448	0.495	0.448	1.000	-505.688	0.000	-84.172	11.489	-79.939	20.322
Element 1-1 (Embedded beam row)	14845	1	26.000	1.150	-506.627	-83.948	18.856	-1.315	1.518	1.315	1.000	-506.627	0.000	-83.948	11.451	-77.931	18.856
(quad0001.5.8)	14846	2	26.000	0.975	-508.256	-83.571	17.283	-3.046	3.128	3.046	1.000	-508.256	0.000	-83.571	11.405	-75.923	17.283
Element 1-1 (Embedded beam row)	14847	1	26.000	0.800	-509.884	-83.096	15.714	-4.781	4.778	4.781	1.000	-509.884	0.000	-83.096	11.351	-73.915	15.714
(quad0001.5.8)	14848	2	26.000	0.625	-512.009	-82.521	14.146	-6.517	6.514	6.517	1.000	-512.009	0.000	-82.521	11.297	-71.907	14.146
Element 1-2 (Embedded beam row)	14849	1	26.000	0.000	-512.861	-76.642	47.055	-9.614	5.383	9.614	1.000	-512.861	0.000	-76.642	0.000	-58.426	76.079
(quad0001.5.8)	14850	2	26.000	-1.300	-512.524	-72.354	-3.448	-6.685	-6.144	-6.685	1.000	-512.524	0.000	-72.354	0.000	-31.254	32.320
Element 1-2 (Embedded beam row)	14851	1	26.000	-3.000	-520.009	-67.483	-54.110	-2.694	7.715	5.573	1.000	-520.009	0.000	-67.483	0.000	-54.110	67.483
(quad0001.5.8)	14852	2	26.000	-4.500	-524.569	-66.495	-87.597	-3.366	1.636	6.316	0.533	-524.569	0.000	-66.495	9.663	-87.597	14.650
Element 1-3 (Embedded beam row)	14853	1	26.000	-6.000	-529.181	-65.511	-120.605	-4.060	1.660	6.420	0.637	-529.181	0.000	-65.511	0.000	-120.605	0.000
(quad0001.5.8)	14854	2	26.000	-7.500	-534.176	-64.554	-153.129	-4.809	1.542	6.236	0.789	-534.176	0.000	-64.554	9.464	-153.129	0.000
Element 1-3 (Embedded beam row)	14855	1	26.000	-9.000	-539.589	-63.628	-185.467	-5.753	1.421	6.055	1.000	-539.589	0.000	-63.628	0.000	-185.467	0.000
(quad0001.5.8)	14856	2	26.000	-10.500	-545.332	-62.724	-217.924	-6.709	1.302	5.870	1.200	-545.332	0.000	-62.724	9.324	-217.924	0.000
Element 1-4 (Embedded beam row)	14857	1	26.000	-12.000	-550.809	-61.826	-250.414	-7.766	1.183	5.697	1.400	-550.809	0.000	-61.826	0.000	-250.414	0.000
(quad0001.5.8)	14858	2	26.000	-13.500	-556.999	-60.955	-282.933	-8.833	1.064	5.530	1.600	-556.999	0.000	-60.955	9.200	-282.933	0.000
Element 1-4 (Embedded beam row)	14859	1	26.000	-15.000	-562.824	-60.104	-315.464	-9.901	0.945	5.373	1.800	-562.824	0.000	-60.104	0.000	-315.464	0.000
(quad0001.5.8)	14860	2	26.000	-16.500	-568.897	-59.282	-348.019	-11.070	0.826	5.216	2.000	-568.897	0.000	-59.282	9.040	-348.019	0.000
Element 1-5 (Embedded beam row)	14861	1	26.000	-18.000	-574.942	-60.524	-380.583	-12.238	0.707	5.059	2.200	-574.942	0.000	-60.524	8.830	-380.583	0.000
(quad0001.5.8)	14862	2	26.000	-19.500	-581.255	-59.789	-413.159	-13.407	0.588	4.902	2.400	-581.255	0.000	-59.789	8.620	-413.159	0.000
Element 1-5 (Embedded beam row)	14863	1	26.000	-21.000	-587.588	-59.082	-445.743	-14.576	0.469	4.745	2.600	-587.588	0.000	-59.082	8.410	-445.743	0.000
(quad0001.5.8)	14864	2	26.000	-22.500	-594.144	-58.400	-478.329	-15.745	0.350	4.588	2.800	-594.144	0.000	-58.400	8.200	-478.329	0.000
Element 1-6 (Embedded beam row)	14865	1	26.000	-24.000	-600.000	-57.748	-510.913	-16.914	0.231	4.431	3.000	-600.000	0.000	-57.748	8.000	-510.913	0.000
(quad0001.5.8)	14866	2	26.000	-25.500	-606.073	-57.124	-543.507	-18.083	0.112	4.274	3.200	-606.073	0.000	-57.124	7.790	-543.507	0.000
Element 1-6 (Embedded beam row)	14867	1	26.000	-27.000	-611.562	-56.543	-576.101	-19.252	0.093	4.117	3.400	-611.562	0.000	-56.543	7.580	-576.101	0.000
(quad0001.5.8)	14868	2	26.000	-28.500	-617.366	-56.000	-608.695	-20.421	0.074	3.960	3.600	-617.366	0.000	-56.000	7.370	-608.695	0.000
Element 1-7 (Embedded beam row)	14869	1	26.000	-30.000	-622.582	-55.497	-641.289	-21.590	0.055	3.803	3.800	-622.582	0.000	-55.497	7.160	-641.289	0.000
(quad0001.5.8)	14870	2	26.000	-31.500	-628.212	-55.020	-673.883	-22.759	0.036	3.646	4.000	-628.212	0.000	-55.020	6.950	-673.883	0.000
Element 1-8 (Embedded beam row)	14871	1	26.000	-33.000	-633.863	-54.540	-706.477	-23.928	0.017	3.489	4.200	-633.863	0.000	-54.540	6.740	-706.477	0.000
(quad0001.5.8)	14872	2	26.000	-34.500	-639.922	-54.137	-739.071	-25.097	0.008	3.332	4.400	-639.922	0.000	-54.137	6.530	-739.071	0.000
Element 1-8 (Embedded beam row)	14873	1	26.000	-36.000	-645.332	-53.762	-771.665	-26.266	0.008	3.175	4.600	-645.332	0.000	-53.762	6.320	-771.665	0.000
(quad0001.5.8)	14874	2	26.000	-37.500	-651.602	-53.414	-804.259	-27.435	0.008	3.018	4.800	-651.602	0.000	-53.414	6.110	-804.259	0.000
Element 1-9 (Embedded beam row)	14875	1	26.000	-39.000	-657.852	-53.086	-836.853	-28.604	0.007	2.861	5.000	-657.852	0.000	-53.086	5.900	-836.853	0.000
(quad0001.5.8)	14876	2	26.000	-40.500	-664.082	-52.778	-869.447	-29.773	0.007	2.704	5.200	-664.082	0.000	-52.778	5.690	-869.447	0.000
Element 1-9 (Embedded beam row)	14877	1	26.000	-42.000	-670.298	-52.488	-902.041	-30.942	0.006	2.547	5.400	-670.298	0.000	-52.488	5.480	-902.041	0.000
(quad0001.5.8)	14878	2	26.000	-43.500	-676.498	-52.207	-934.635	-32.111	0.006	2.390	5.600	-676.498	0.000	-52.207	5.270	-934.635	0.000
Element 1-10 (Embedded beam row)	14879	1	26.000	-45.000	-682.587	-51.945	-967.229	-33.280	0.005	2.233	5.800	-682.587	0.000	-51.945	5.060	-967.229	0.000
(quad0001.5.8)	14880	2	26.000	-46.500	-688.662	-51.702	-1000.000	-34.449	0.005	2.076	6.000	-688.662	0.000	-51.702	4.850	-1000.000	0.000
Element 1-10 (Embedded beam row)	14881	1	26.000	-48.000	-694.635	-51.470	-1032.594	-35.618	0.005	1.919	6.200	-694.635	0.000	-51.470	4.640	-1032.594	0.000
(quad0001.5.8)	14882	2	26.000	-49.500	-700.594	-51.248	-1065.188	-36.787	0.004	1.762	6.400	-700.594	0.000	-51.248	4.430	-1065.188	0.000
Element 1-11 (Embedded beam row)	14883	1	26.000	-51.000	-706.547	-51.037	-1097.782	-37.956	0.004	1.605	6.600	-706.547	0.000	-51.037	4.220	-1097.782	0.000
(quad0001.5.8)	14884	2	26.000	-52.500	-712.489	-50.837	-1130.376	-39.125	0.004	1.448	6.800	-712.489	0.000	-50.837	4.010	-1130.376	0.000
Element 1-11 (Embedded beam row)	14885	1	26.000	-54.000	-718.422	-50.646	-1162.970	-40.294	0.003	1.291	7.000	-718.422	0.000	-50.646	3.800	-1162.970	0.000
(quad0001.5.8)	14886	2	26.000	-55.500	-724.344	-50.465	-1195.564	-41.463	0.003	1.134	7.200	-724.344	0.000	-50.465	3.590	-1195.564	0.000
Element 1-12 (Embedded beam row)	14887	1	26.000	-57.000	-726.257	-50.293	-1228.158	-42.632	0.003	1.077	7.400	-726.257	0.000	-50.293	3.380	-1228.158	0.000
(quad0001.5.8)	14888	2	26.000	-58.500	-727.712	-50.130	-1260.752	-43.801	0.003	0.920	7.600	-727.712	0.000	-50.130	3.170	-1260.752	0.000
Element 1-12 (Embedded beam row)	14889	1	26.000	-60.000	-729.615	-50.073	-1293.346	-44.970	0.002	0.863	7.800	-729.615	0.000	-50.073	2.960	-1293.346	0.000
(quad0001.5.8)	14890	2	26.000	-61.500	-731.500	-49.925	-1325.940	-46.139	0.002	0.806	8.000	-731.500	0.000	-49.925	2.750	-1325.940	0.000
Element 1-13 (Embedded beam row)	14891	1	26.000	-63.000	-733.377	-49.882	-1358.534	-47.308	0.002	0.749	8.200	-733.377	0.000	-49.882	2.540	-1358.534	0.000
(quad0001.5.8)	14892	2	26.000	-64.500	-735.248	-49.844	-1391.128	-48.477	0.002	0.692	8.400	-735.248	0.000	-49.844	2.330	-1391.128	0.000
Element 1-13 (Embedded beam row)	14893	1	26.000	-66.000	-737.113	-49.810	-1423.722	-49.646	0.002	0.635	8.600	-737.113	0.000	-49.810	2.120	-1423.722	0.000
(quad0001.5.8)	14894	2	26.000	-67.500	-738.974	-49.780	-1456.316	-50.815	0.002	0.578	8.800	-738.974	0.000	-49.780	1.910	-1456.316	0.000
Element 1-14 (Embedded beam row)	14895	1	26.000	-69.000	-740.829	-49.752	-1488.910	-51.984	0.002	0.521	9.000	-740.829	0.000	-49.752	1.700	-1488.910	0.000
(quad0001.5.8)	14896	2	26.000	-70.500	-742.679	-49.728	-1521.504	-53.153	0.002	0.464	9.200	-742.679	0.000	-49.728	1.490	-1521.504	0.000
Element 1-14 (Embedded beam row)	14897	1	26.000	-72.000	-744.524	-49.706	-1554.098	-54.322	0.002	0.407	9.400	-744.524	0.000	-49.706	1.280	-1554.098	0.000
(quad0001.5.8)	14898	2	26.000	-73.500	-746.364	-49.687	-1586.692	-55.491	0.002	0.350	9.600	-746.364	0.000	-49.687	1.070	-1586.692	0.000
Element 1-15 (Embedded beam row)	14899	1	26.000	-75.000	-748.200	-49.669	-1619.286	-56.660	0.002	0.293	9.800	-748.200	0.000	-49.669	0.860	-1619.286	0.000
(quad0001.5.8)	14900	2	26.000	-76.500	-750.031	-49.654	-1651.880	-57.829	0.002	0.236	10.000	-750.031	0.000	-49.654	0.650	-1651.880	0.000
Element 1-15 (Embedded beam row)	14901	1	26.000	-78.000	-751.856	-49.641	-1684.474	-58.998	0.002	0.179	10.200	-751.856	0.000	-49.641	0.440	-1684.474	0.000
(quad0001.5.8)	14902	2	26.000	-79.500	-753.677	-49.630	-1717.068	-60.167	0.002	0.122	10.400	-753.677	0.000	-49.630	0.230	-1717.068	0.000
Element 1-16 (Embedded beam row)	14903	1	26.000	-81.000	-755.494	-49.620	-1749.662	-61.336	0.002	0.065	10.600	-755.494	0.000	-49.620	0.020	-1749.662	0.000
(quad0001.5.8)	14904	2	26.000	-82.500	-757.309	-49.611	-1										

14955	1	32.000	-11.667	-680.177	25.317	-187.374	-4.060	7.674	26.017	0.162	-680.177	0.000	0.000	0.000	34.317	-687.374	6.893
14956	1	32.000	-14.000	-683.286	26.996	-188.823	-3.909	7.574	25.889	0.145	-683.286	0.000	0.000	0.000	32.996	-686.823	6.095
Element 2-29 (Embedded beam row)	14957	2	32.000	-14.333	-686.304	29.703	-139.376	-3.322	7.800	26.147	0.127	-686.304	0.000	0.000	29.703	-139.376	6.735
14958	1	32.000	-14.667	-689.167	32.415	-139.020	-2.895	7.815	26.710	0.108	-689.167	0.000	0.000	0.000	32.415	-139.020	6.076
14959	4	32.000	-15.000	-691.882	35.127	-137.763	-2.429	7.802	27.276	0.089	-691.882	0.000	0.000	0.000	35.127	-137.763	7.147
14960	1	32.000	-15.333	-694.454	37.841	-136.603	-1.934	7.784	27.844	0.070	-694.454	0.000	0.000	0.000	37.841	-136.603	7.747
Element 2-30 (Embedded beam row)	14961	2	32.000	-15.667	-696.821	40.552	-129.547	-1.384	7.707	28.423	0.049	-696.821	0.000	0.000	40.552	-129.547	8.078
14962	1	32.000	-16.000	-699.014	43.188	-128.391	-0.809	7.633	29.007	0.028	-699.014	0.000	0.000	0.000	43.188	-128.391	8.405
14963	4	32.000	-16.333	-701.099	45.827	-126.751	-0.459	7.541	29.594	0.007	-701.099	0.000	0.000	0.000	45.827	-126.751	8.729
14964	1	32.000	-16.667	-702.805	48.454	-126.464	0.085	7.443	30.184	0.015	-702.805	0.000	0.000	0.000	48.454	-126.464	8.055
Element 2-31 (Embedded beam row)	14965	2	32.000	-17.000	-704.365	51.001	-123.474	1.171	7.307	30.781	0.037	-704.365	0.000	0.000	51.001	-123.474	8.387
14966	1	32.000	-17.333	-705.689	53.520	-121.048	1.847	7.157	31.377	0.060	-705.689	0.000	0.000	0.000	53.520	-121.048	9.067
14967	4	32.000	-17.667	-706.738	55.982	-118.792	2.666	6.960	31.959	0.083	-706.738	0.000	0.000	0.000	55.982	-118.792	9.959
14968	1	32.000	-18.000	-707.569	58.380	-116.724	3.515	6.711	32.524	0.108	-707.569	0.000	0.000	0.000	58.380	-116.724	10.747
14969	1	32.000	-18.333	-707.951	60.703	-113.734	4.515	6.355	33.058	0.138	-707.951	0.000	0.000	0.000	60.703	-113.734	12.027
Element 2-32 (Embedded beam row)	14970	2	32.000	-18.667	-708.255	62.841	-110.300	5.431	6.389	33.152	0.134	-708.255	0.000	0.000	60.703	-115.896	13.526
14971	1	32.000	-19.000	-708.095	64.850	-110.000	6.495	5.435	33.366	0.189	-708.095	0.000	0.000	0.000	64.850	-115.000	16.831
14972	4	32.000	-19.333	-707.884	66.685	-108.086	7.699	4.770	33.601	0.219	-707.884	0.000	0.000	0.000	66.685	-108.086	20.241
14973	1	32.000	-19.667	-707.599	69.051	-105.086	7.600	3.971	33.856	0.219	-707.599	0.000	0.000	0.000	69.051	-105.086	24.218
Element 2-33 (Embedded beam row)	14974	2	32.000	-19.967	-706.645	68.249	-103.599	8.919	3.963	35.757	0.249	-706.645	0.000	0.000	68.249	-103.599	31.469
14975	1	32.000	-20.000	-705.272	69.516	-102.623	10.227	3.623	36.529	0.281	-705.272	0.000	0.000	0.000	69.516	-102.623	38.548
14976	4	32.000	-20.333	-703.442	70.442	-102.724	11.714	1.915	37.338	0.314	-703.442	0.000	0.000	0.000	70.442	-102.724	45.398
14977	1	32.000	-20.667	-701.123	71.016	-102.701	13.227	0.695	38.168	0.347	-701.123	0.000	0.000	0.000	71.016	-102.701	51.965
14978	4	32.000	-21.000	-700.467	70.603	-102.831	14.744	0.017	38.989	0.379	-700.467	0.000	0.000	0.000	70.603	-102.831	58.218
Element 2-34 (Embedded beam row)	14979	2	32.000	-21.333	-698.268	71.124	-102.92	16.424	-0.631	39.071	0.379	-698.268	0.000	0.000	71.124	-102.92	65.207
14980	1	32.000	-21.667	-696.876	70.789	-102.662	17.878	-2.029	39.980	0.412	-696.876	0.000	0.000	0.000	70.789	-102.662	72.816
14981	4	32.000	-22.000	-695.994	69.979	-102.142	18.186	-3.476	41.893	0.445	-695.994	0.000	0.000	0.000	69.979	-102.142	80.599
14982	1	32.000	-22.333	-694.611	68.692	-102.302	19.942	-4.924	41.803	0.477	-694.611	0.000	0.000	0.000	68.692	-102.302	88.673
14983	4	32.000	-22.667	-693.883	67.685	-102.843	21.994	-6.472	41.823	0.510	-693.883	0.000	0.000	0.000	67.685	-102.843	97.019
Element 2-35 (Embedded beam row)	14984	2	32.000	-23.333	-691.291	66.911	-115.871	71.741	-6.399	42.669	0.510	-691.291	0.000	0.000	66.911	-115.871	115.871
14985	1	32.000	-23.667	-689.599	64.642	-117.835	73.601	-7.830	43.555	0.542	-689.599	0.000	0.000	0.000	64.642	-117.835	135.855
14986	4	32.000	-24.000	-689.195	61.883	-118.921	75.528	-9.342	44.382	0.575	-689.195	0.000	0.000	0.000	61.883	-118.921	158.921
14987	1	32.000	-24.333	-687.200	58.455	-119.016	77.541	-10.795	45.254	0.609	-687.200	0.000	0.000	0.000	58.455	-119.016	180.016
14988	4	32.000	-24.667	-685.646	54.646	-119.016	79.645	-12.095	46.078	0.642	-685.646	0.000	0.000	0.000	54.646	-119.016	200.078
Element 2-36 (Embedded beam row)	14989	2	32.000	-25.000	-684.597	54.909	-117.949	29.608	-12.211	45.078	0.644	-684.597	0.000	0.000	54.909	-117.949	217.949
14990	1	32.000	-25.333	-682.657	52.719	-115.530	31.485	-13.577	45.877	0.680	-682.657	0.000	0.000	0.000	52.719	-115.530	232.877
14991	4	32.000	-25.667	-682.825	49.074	-113.720	34.353	-14.946	46.621	0.721	-682.825	0.000	0.000	0.000	49.074	-113.720	249.621
14992	1	32.000	-26.000	-682.820	40.976	-116.237	37.160	-16.442	47.424	0.767	-682.820	0.000	0.000	0.000	40.976	-116.237	268.274
14993	4	32.000	-26.333	-682.626	30.855	-118.029	39.167	-18.045	48.007	0.805	-682.626	0.000	0.000	0.000	30.855	-118.029	288.007
14994	1	32.000	-26.667	-681.977	35.399	-118.845	41.457	-19.800	48.999	0.845	-681.977	0.000	0.000	0.000	35.399	-118.845	308.985
14995	4	32.000	-27.000	-681.039	29.091	-119.744	44.089	-21.825	49.805	0.888	-681.039	0.000	0.000	0.000	29.091	-119.744	330.089
14996	1	32.000	-27.333	-680.813	23.895	-120.714	46.981	-23.925	50.528	0.928	-680.813	0.000	0.000	0.000	23.895	-120.714	352.257
14997	4	32.000	-27.667	-680.029	17.775	-121.758	51.391	-26.041	51.189	0.966	-680.029	0.000	0.000	0.000	17.775	-121.758	376.428
Element 2-37 (Embedded beam row)	14998	2	32.000	-28.000	-677.797	13.220	-124.238	61.725	-27.834	51.235	1.000	-677.797	0.000	0.000	13.220	-124.238	401.725
14999	1	32.000	-28.333	-676.500	5.473	-124.786	53.438	-29.856	55.438	1.000	-676.500	0.000	0.000	0.000	5.473	-124.786	428.438
15000	4	32.000	-28.667	-675.815	40.909	-126.227	55.448	-32.018	56.228	1.000	-675.815	0.000	0.000	0.000	40.909	-126.227	455.228
Element 2-38 (Embedded beam row)	15001	2	32.000	-29.000	-674.864	33.894	-127.819	59.306	-33.245	56.980	1.000	-674.864	0.000	0.000	33.894	-127.819	483.245
15002	1	32.000	-29.333	-674.026	45.192	-129.444	63.347	-35.302	57.697	1.000	-674.026	0.000	0.000	0.000	45.192	-129.444	512.347
15003	4	32.000	-29.667	-673.385	46.674	-131.356	67.493	-37.384	58.355	1.000	-673.385	0.000	0.000	0.000	46.674	-131.356	542.355
15004	1	32.000	-30.000	-672.800	51.181	-133.533	71.741	-39.469	58.958	1.000	-672.800	0.000	0.000	0.000	51.181	-133.533	573.741
15005	4	32.000	-30.333	-672.264	48.006	-135.972	76.301	-41.542	59.507	1.000	-672.264	0.000	0.000	0.000	48.006	-135.972	605.507
Element 2-39 (Embedded beam row)	15006	2	32.000	-30.667	-671.834	42.416	-138.638	81.123	-43.615	60.000	1.000	-671.834	0.000	0.000	42.416	-138.638	638.638
15007	1	32.000	-31.000	-671.454	37.520	-141.523	86.156	-45.684	60.455	1.000	-671.454	0.000	0.000	0.000	37.520	-141.523	673.156
15008	4	32.000	-31.333	-671.123	32.914	-144.636	91.485	-47.747	60.858	1.000	-671.123	0.000	0.000	0.000	32.914	-144.636	709.058
15009	1	32.000	-31.667	-670.838	28.560	-147.973	97.184	-49.800	61.212	1.000	-670.838	0.000	0.000	0.000	28.560	-147.973	746.212
15010	4	32.000	-32.000	-670.600	24.432	-151.544	103.344	-51.854	61.544	1.000	-670.600	0.000	0.000	0.000	24.432	-151.544	784.544
Element 2-40 (Embedded beam row)	15011	2	32.000	-32.333	-670.414	20.520	-155.366	110.000	-53.900	61.834	1.000	-670.414	0.000	0.000	20.520	-155.366	823.834
15012	1	32.000	-32.667	-670.276	16.815	-159.444	117.247	-56.000	62.074	1.000	-670.276	0.000	0.000	0.000	16.815	-159.444	864.074
15013	4	32.000	-33.000	-670.184	13.345	-163.877	124.651	-58.144	62.266	1.000	-670.184	0.000	0.000	0.000	13.345	-163.877	905.266
15014	1	32.000	-33.333	-670.134	10.000	-168.660	132.200	-60.334	62.414	1.000	-670.134	0.000	0.000	0.000	10.000	-168.660	947.414
15015	4	32.000	-33.667	-670.126	6.744	-173.792	139.981	-62.566	62.522	1.000	-670.126	0.000	0.000	0.000	6.744	-173.792	990.522
15016	1	32.000	-34.000	-670.156	3.544	-179.277	148.000	-64.774	62.594	1.000	-670.156	0.000	0.000	0.000	3.544	-179.277	1.034.694
15017	4	32.000	-34.333	-670.224	0.388	-184.984	156.244	-67.034	62.624								

Element 3-57 (Embedded beam row)	15070	2	38.000	-17.000	-701.389	53.777	-156.847	5.494	2.883	33.485	0.164	-701.389	0.000	-0.575	53.777	-156.847	2.963
(pilot00013-58)	15071	3	38.000	-17.333	-701.245	54.788	-138.746	6.328	2.480	34.053	0.186	-701.245	0.000	-0.566	54.788	-138.746	2.785
15072	4	38.000	-17.667	-700.938	56.644	-120.604	7.199	1.981	34.621	0.208	-700.938	0.000	-0.556	56.644	-120.604	2.587	
15073	5	38.000	-18.000	-700.603	58.267	-101.666	8.109	1.298	35.185	0.230	-700.603	0.000	-0.546	58.267	-101.666	2.375	
(pilot00013-59)	15074	6	38.000	-18.333	-699.669	56.929	-82.784	9.056	0.623	35.758	0.253	-699.669	0.000	-0.537	56.929	-82.784	1.140
15075	7	38.000	-18.667	-697.713	57.330	-63.732	10.042	0.627	36.326	0.276	-697.713	0.000	-0.527	57.330	-63.732	0.000	
15076	8	38.000	-19.000	-696.621	57.561	-44.574	11.106	0.108	36.896	0.300	-696.621	0.000	-0.516	57.561	-44.574	18.407	
(pilot00013-60)	15077	9	38.000	-19.333	-695.463	57.617	-27.130	12.130	-0.443	37.464	0.324	-695.463	0.000	-0.506	57.617	-27.130	47.648
15078	10	38.000	-19.667	-694.252	57.491	-9.191	13.207	-1.001	38.027	0.348	-694.252	0.000	-0.496	57.491	-9.191	24.957	
(pilot00013-61)	15079	11	38.000	-20.000	-688.814	57.168	13.207	14.300	-1.592	38.599	0.371	-688.814	0.000	-0.484	57.168	13.207	59.222
15080	12	38.000	-20.333	-685.643	56.663	31.907	15.391	-2.329	39.162	0.398	-685.643	0.000	-0.473	56.663	31.907	37.670	
15081	13	38.000	-20.667	-682.078	55.915	50.664	16.389	-3.265	39.722	0.424	-682.078	0.000	-0.460	55.915	50.664	20.880	
(pilot00013-62)	15082	14	38.000	-21.000	-672.058	55.904	50.663	16.389	-3.265	39.719	0.423	-672.058	0.000	-0.459	55.904	50.663	20.879
15083	15	38.000	-21.333	-673.999	55.346	67.378	17.478	-3.569	40.282	0.441	-673.999	0.000	-0.446	54.952	67.378	69.147	
(pilot00013-63)	15084	16	38.000	-21.667	-678.650	55.285	104.928	21.064	-5.008	41.839	0.467	-678.650	0.000	-0.434	52.285	104.928	104.928
15085	17	38.000	-22.000	-682.817	54.568	123.083	22.483	-6.814	42.413	0.497	-682.817	0.000	-0.399	50.568	123.083	123.083	
(pilot00013-64)	15086	18	38.000	-22.333	-685.225	53.862	138.628	24.277	-8.762	43.008	0.528	-685.225	0.000	-0.372	48.562	138.628	158.628
15087	19	38.000	-22.667	-690.664	52.272	154.445	26.029	-10.729	43.618	0.559	-690.664	0.000	-0.347	46.272	154.445	185.445	
(pilot00013-65)	15088	20	38.000	-23.000	-693.499	43.690	169.420	27.966	-12.781	44.250	0.614	-693.499	0.000	-0.318	43.690	169.420	216.420
15089	21	38.000	-23.333	-695.628	40.811	183.540	29.988	-14.943	44.909	0.669	-695.628	0.000	-0.284	40.811	183.540	251.540	
(pilot00013-66)	15090	22	38.000	-23.667	-697.237	37.644	196.621	32.034	-17.207	45.590	0.708	-697.237	0.000	-0.246	37.644	196.621	291.621
15091	23	38.000	-24.000	-697.990	34.160	208.600	34.358	-19.540	46.324	0.749	-697.990	0.000	-0.201	34.160	208.600	336.324	
(pilot00013-67)	15092	24	38.000	-24.333	-696.590	30.359	219.566	36.913	-21.916	47.109	0.795	-696.590	0.000	-0.151	30.359	219.566	386.913
15093	25	38.000	-24.667	-697.667	26.250	228.804	39.749	-24.770	47.949	0.844	-697.667	0.000	-0.094	26.250	228.804	441.749	
(pilot00013-68)	15094	26	38.000	-25.000	-698.014	22.909	236.804	42.977	-27.804	48.841	0.888	-698.014	0.000	-0.031	22.909	236.804	501.841
15095	27	38.000	-25.333	-697.890	18.866	243.295	47.184	-31.999	49.782	0.902	-697.890	0.000	0.000	18.866	243.295	566.890	
(pilot00013-69)	15096	28	38.000	-25.667	-697.173	14.826	248.015	51.713	-37.458	50.713	0.900	-697.173	0.000	0.000	14.826	248.015	636.713
15097	29	38.000	-26.000	-694.645	10.675	250.885	55.439	-43.802	51.649	0.880	-694.645	0.000	0.000	10.675	250.885	710.885	
(pilot00013-70)	15098	30	38.000	-26.333	-689.412	7.130	252.940	58.724	-48.274	52.574	0.844	-689.412	0.000	0.000	7.130	252.940	790.940
15099	31	38.000	-26.667	-683.243	3.707	250.734	61.151	-52.875	53.501	0.783	-683.243	0.000	0.000	3.707	250.734	876.734	
(pilot00013-71)	15100	32	38.000	-27.000	-670.146	-1.518	245.446	64.838	-57.405	54.438	0.708	-670.146	0.000	0.000	-1.518	245.446	968.446
15101	33	38.000	-27.333	-660.285	-5.171	233.790	68.313	-63.606	55.371	0.614	-660.285	0.000	0.000	-5.171	233.790	1066.371	
(pilot00013-72)	15102	34	38.000	-27.667	-648.488	-9.704	223.215	72.441	-71.486	56.304	0.500	-648.488	0.000	0.000	-9.704	223.215	1171.304
15103	35	38.000	-28.000	-635.302	-14.838	208.800	76.925	-81.677	57.149	0.374	-635.302	0.000	0.000	-14.838	208.800	1283.825	
(pilot00013-73)	15104	36	38.000	-28.333	-620.349	-20.291	211.599	82.327	-92.597	57.827	0.239	-620.349	0.000	0.000	-20.291	211.599	1404.327
15105	37	38.000	-28.667	-604.601	-26.073	197.563	88.392	-104.871	58.452	0.100	-604.601	0.000	0.000	-26.073	197.563	1532.802	
(pilot00013-74)	15106	38	38.000	-29.000	-587.292	-32.280	178.844	94.939	-118.454	59.026	0.000	-587.292	0.000	0.000	-32.280	178.844	1669.344
15107	39	38.000	-29.333	-568.746	-38.881	155.807	102.881	-133.217	60.551	0.000	-568.746	0.000	0.000	-38.881	155.807	1814.007	
(pilot00013-75)	15108	40	38.000	-29.667	-549.833	-46.186	128.577	112.083	-148.743	61.021	0.000	-549.833	0.000	0.000	-46.186	128.577	1967.000
15109	41	38.000	-30.000	-530.441	-54.178	103.988	122.481	-165.820	61.439	0.000	-530.441	0.000	0.000	-54.178	103.988	2127.439	
(pilot00013-76)	15110	42	38.000	-30.333	-510.892	-62.821	76.634	122.481	-185.999	61.726	0.000	-510.892	0.000	0.000	-62.821	76.634	2295.439
15111	43	38.000	-30.667	-492.213	-72.750	50.999	122.481	-207.666	61.981	0.000	-492.213	0.000	0.000	-72.750	50.999	2470.000	
(pilot00013-77)	15112	44	38.000	-31.000	-474.447	-83.994	27.684	122.481	-231.146	62.208	0.000	-474.447	0.000	0.000	-83.994	27.684	2651.146
15113	45	38.000	-31.333	-458.599	-96.589	6.699	122.481	-256.466	62.401	0.000	-458.599	0.000	0.000	-96.589	6.699	2839.146	
(pilot00013-78)	15114	46	38.000	-31.667	-443.688	-110.675	48.295	54.103	122.481	0.000	-443.688	0.000	0.000	-110.675	48.295	3034.295	
15115	47	38.000	-32.000	-429.642	-126.148	34.843	54.103	9.696	122.481	0.000	-429.642	0.000	0.000	-126.148	34.843	3236.843	
(pilot00013-79)	15116	48	38.000	-32.333	-416.507	-143.021	22.480	55.625	122.481	0.000	-416.507	0.000	0.000	-143.021	22.480	3446.021	
15117	49	38.000	-32.667	-404.318	-160.796	11.610	122.481	28.449	122.481	0.000	-404.318	0.000	0.000	-160.796	11.610	3661.610	
(pilot00013-80)	15118	50	38.000	-33.000	-393.099	-179.584	17.620	55.640	122.481	0.000	-393.099	0.000	0.000	-179.584	17.620	3883.620	
15119	51	38.000	-33.333	-382.787	-199.300	10.271	57.182	14.972	122.481	0.000	-382.787	0.000	0.000	-199.300	10.271	4112.271	
(pilot00013-81)	15120	52	38.000	-33.667	-373.463	-219.864	4.732	58.132	16.307	122.481	0.000	-373.463	0.000	0.000	-219.864	4.732	4347.732
15121	53	38.000	-34.000	-365.070	-242.181	1.317	58.669	17.620	16.307	122.481	0.000	-365.070	0.000	0.000	-242.181	1.317	4590.181
(pilot00013-82)	15122	54	38.000	-34.333	-357.665	-265.669	0.000	59.236	17.620	122.481	0.000	-357.665	0.000	0.000	-265.669	0.000	4839.669

18.6 SLD [Phase 17] (18/172)

Structural element	Node (ID)	Local number	X (m)	Y (m)	N (kN)	O (kNm)	M (kNm)	Tan (kN/mm)	Tor (kNm/mm)	Tang (kN/mm)	Toror (kN/mm)	Tangor (kN/mm)	Tororor (kN/mm)	Max (kN/mm)	Min (kN/mm)	Max (kN/mm)	Min (kN/mm)
(pilot00013-83)	14843	1	26.000	1.500	-450.876	-61.800	184.800	0.000	0.000	0.000	0.000	-603.332	0.000	-61.800	11.522	181.502	184.800
14844	2	26.000	1.525	-451.779	-61.698	173.995	-0.381	0.704	0.581	1.000	-604.271	0.000	-61.698	11.489	-69.739	173.995	173.995
(pilot00013-84)	14845	3	26.000	1.450	-452.861	-61.484	163.213	-1.951	1.415	1.051	0.000	-602.488	0.000	-61.484	11.451	77.811	163.213
14846	4	26.															

Element 1-15 (Embedded beam row)	1490	2	26.000	-26.500	-532.010	-4.380	28.7938	62.699	-32.682	62.829	0.997	-532.010	0.000	-9.404	0.000	0.000	0.000	28.7938
(parallel1000.1.5.8)	1491	3	26.000	-27.000	-505.178	-18.878	28.1902	55.234	-25.206	55.234	1.000	-505.178	0.000	-18.878	0.000	0.000	0.000	28.1902
	1492	4	26.000	-27.500	-470.352	-38.974	26.6225	49.726	-19.011	49.726	1.000	-470.352	0.000	-38.974	0.000	0.000	0.000	26.6225
	1493	5	26.000	-28.000	-435.526	-59.070	25.0511	44.219	-9.845	44.219	1.000	-435.526	0.000	-59.070	0.000	0.000	0.000	25.0511
EmbeddedBeamRow_ 1	1494	1	26.000	-28.000	-460.675	-38.003	32.5564	46.225	-11.228	46.225	1.000	-460.675	0.000	-38.003	0.000	0.000	0.000	32.5564
Element 1-16 (Embedded beam row)	1494	2	26.000	-28.457	-441.371	-42.456	23.4129	48.006	-8.611	48.006	1.000	-441.371	0.000	-42.456	0.000	0.000	0.000	23.4129
(parallel1000.1.5.8)	1495	3	26.000	-28.914	-421.862	-66.695	21.9362	48.745	-5.881	48.745	1.000	-421.862	0.000	-66.695	0.000	0.000	0.000	21.9362
	1496	4	26.000	-29.371	-402.356	-91.379	20.4515	48.966	-3.366	48.966	1.000	-402.356	0.000	-91.379	0.000	0.000	0.000	20.4515
	1497	5	26.000	-29.828	-382.851	-116.011	19.0668	49.188	-1.251	49.188	1.000	-382.851	0.000	-116.011	0.000	0.000	0.000	19.0668
EmbeddedBeamRow_ 1	1497	1	26.000	-29.828	-382.122	-88.812	19.0467	49.066	0.000	49.066	1.000	-382.122	0.000	-88.812	0.000	0.000	0.000	19.0467
Element 1-17 (Embedded beam row)	1498	2	26.000	-31.211	-323.721	-66.423	10.8203	51.800	4.233	51.800	1.000	-323.721	0.000	-66.423	0.000	0.000	0.000	10.8203
(parallel1000.1.5.8)	1499	3	26.000	-31.714	-303.336	-91.379	9.3291	52.981	9.341	52.981	1.000	-303.336	0.000	-91.379	0.000	0.000	0.000	9.3291
	14910	4	26.000	-32.217	-282.951	-116.011	8.8351	54.163	14.820	54.163	1.000	-282.951	0.000	-116.011	0.000	0.000	0.000	8.8351
	14911	5	26.000	-32.720	-262.566	-140.643	8.3411	55.345	20.309	55.345	1.000	-262.566	0.000	-140.643	0.000	0.000	0.000	8.3411
EmbeddedBeamRow_ 2	14911	1	26.000	-32.720	-250.961	-20.292	81.284	0.000	0.000	0.000	0.000	-250.961	0.000	-20.292	0.000	0.000	0.000	81.284
Element 2-18 (Embedded beam row)	14913	2	32.000	1.290	-452.322	-49.568	70.773	-1.170	3.821	1.170	1.000	-34.884	0.000	-49.568	3.365	-26.474	75.998	
(parallel1000.1.5.8)	14914	3	32.000	1.079	-553.741	-88.884	60.440	-1.232	1.000	1.000	1.000	-88.884	0.000	-88.884	3.362	-28.766	66.090	
	14915	4	32.000	0.869	-655.161	-128.396	50.313	-1.292	0.756	2.220	0.822	-118.880	0.000	-128.396	3.356	-30.059	61.180	
	14916	5	32.000	0.658	-756.580	-167.908	40.186	-1.352	0.508	3.688	0.886	-148.866	0.000	-167.908	3.350	-31.354	56.270	
EmbeddedBeamRow_ 2	14916	1	32.000	0.658	-757.053	-161.116	40.501	-2.240	0.496	2.986	1.000	-309.616	0.000	-161.116	3.351	-34.354	54.880	
Element 2-19 (Embedded beam row)	14917	2	32.000	0.375	-860.303	-244.887	27.672	-6.006	5.516	6.020	0.998	-311.583	0.000	-244.887	3.341	-37.466	45.697	
(parallel1000.1.5.8)	14918	3	32.000	0.092	-961.722	-334.386	18.529	-6.014	4.002	7.480	0.877	-513.708	0.000	-334.386	3.333	-40.571	37.192	
	14919	4	32.000	0.192	-1063.141	-423.885	9.367	-6.007	2.522	7.778	0.822	-715.880	0.000	-423.885	3.327	-43.676	28.963	
	14920	5	32.000	0.475	-1164.560	-513.384	0.000	-6.111	1.000	9.252	0.778	-918.062	0.000	-513.384	3.321	-46.781	20.734	
EmbeddedBeamRow_ 2	14920	1	32.000	0.475	-1165.034	-506.594	0.313	-6.111	0.880	8.590	0.880	-1181.071	0.000	-506.594	3.325	-49.886	12.505	
Element 2-20 (Embedded beam row)	14921	2	32.000	-0.856	-474.541	-37.706	-22.877	-6.184	5.173	7.848	0.788	-521.049	0.000	-37.706	3.327	-22.877	30.733	
(parallel1000.1.5.8)	14922	3	32.000	-1.237	-799.007	-77.246	-36.869	-6.204	3.098	8.616	0.769	-724.068	0.000	-77.246	3.322	-36.869	0.933	
	14923	4	32.000	-1.619	-1123.473	-116.785	-20.950	-6.261	1.000	9.457	0.742	-927.128	0.000	-116.785	3.317	-40.000	0.000	
	14924	5	32.000	-1.999	-1447.939	-156.324	-11.000	-6.288	0.455	10.690	0.690	-1130.228	0.000	-156.324	3.313	-43.105	0.000	
EmbeddedBeamRow_ 2	14924	1	32.000	-2.000	-1448.413	-149.534	-11.290	-6.288	0.000	10.834	0.670	-1130.702	0.000	-149.534	3.310	-43.105	0.000	
Element 2-21 (Embedded beam row)	14925	2	32.000	-2.500	-181.480	-31.108	-78.264	-1.851	1.054	8.339	0.170	-333.281	0.000	-31.108	3.322	-78.264	0.000	
(parallel1000.1.5.8)	14926	3	32.000	-2.980	-284.979	-60.496	-63.667	-1.875	1.080	8.826	0.178	-336.388	0.000	-60.496	3.320	-81.667	0.000	
	14927	4	32.000	-3.460	-388.478	-90.889	-48.773	-1.876	1.025	9.314	0.189	-339.494	0.000	-90.889	3.318	-85.067	0.000	
	14928	5	32.000	-3.940	-491.977	-121.281	-33.880	-1.870	0.650	9.804	0.196	-342.598	0.000	-121.281	3.316	-88.467	0.000	
EmbeddedBeamRow_ 2	14928	1	32.000	-4.000	-492.451	-114.481	-34.170	-1.870	0.000	9.948	0.187	-343.071	0.000	-114.481	3.314	-88.467	0.000	
Element 2-22 (Embedded beam row)	14929	2	32.000	-4.375	-607.999	-178.820	-134.299	-10.077	3.622	10.104	0.097	-566.861	0.000	-178.820	3.078	-134.299	0.000	
(parallel1000.1.5.8)	14930	3	32.000	-4.750	-713.507	-248.486	-184.479	-9.447	1.000	10.500	0.895	-569.729	0.000	-248.486	3.071	-144.479	0.000	
	14931	4	32.000	-5.125	-819.015	-318.080	-134.187	-9.489	2.792	11.891	0.821	-572.648	0.000	-318.080	3.063	-154.187	0.000	
	14932	5	32.000	-5.500	-924.523	-387.673	-84.676	-9.537	2.719	11.956	0.771	-575.567	0.000	-387.673	3.053	-163.676	0.000	
EmbeddedBeamRow_ 2	14932	1	32.000	-5.500	-925.047	-380.884	-85.165	-9.538	0.000	12.101	0.770	-576.041	0.000	-380.884	3.052	-163.676	0.000	
Element 2-23 (Embedded beam row)	14933	2	32.000	-5.875	-130.199	-13.159	-172.257	-9.092	2.683	12.447	0.730	-611.399	0.000	-13.159	2.957	-172.257	0.000	
(parallel1000.1.5.8)	14934	3	32.000	-6.250	-235.680	-22.926	-180.839	-8.929	2.783	13.112	0.698	-614.325	0.000	-22.926	2.959	-180.839	0.000	
	14935	4	32.000	-6.625	-341.162	-32.694	-188.897	-8.754	2.024	13.760	0.673	-617.251	0.000	-32.694	2.959	-188.897	0.000	
	14936	5	32.000	-7.000	-446.644	-42.466	-196.955	-8.580	3.398	14.375	0.651	-620.177	0.000	-42.466	2.959	-196.955	0.000	
EmbeddedBeamRow_ 2	14936	1	32.000	-7.000	-447.169	-41.741	-197.480	-8.584	2.000	14.501	0.651	-620.702	0.000	-41.741	2.959	-197.480	0.000	
Element 2-24 (Embedded beam row)	14937	2	32.000	-7.375	-622.117	-82.860	-265.919	-9.439	0.609	15.116	0.611	-623.649	0.000	-82.860	2.959	-265.919	0.000	
(parallel1000.1.5.8)	14938	3	32.000	-7.750	-807.605	-123.313	-200.325	-9.477	0.556	16.076	0.619	-626.597	0.000	-123.313	2.959	-350.325	0.000	
	14939	4	32.000	-8.125	-993.093	-163.766	-134.736	-9.508	0.500	16.939	0.605	-629.545	0.000	-163.766	2.959	-434.736	0.000	
	14940	5	32.000	-8.500	-1178.581	-204.219	-69.147	-9.545	6.337	16.611	0.593	-632.493	0.000	-204.219	2.959	-519.147	0.000	
EmbeddedBeamRow_ 2	14940	1	32.000	-8.500	-1179.055	-197.428	-69.646	-9.546	6.338	16.612	0.594	-632.967	0.000	-197.428	2.959	-519.147	0.000	
Element 2-25 (Embedded beam row)	14941	2	32.000	-8.875	-875.112	-122.396	-235.198	-9.979	6.700	17.274	0.578	-635.926	0.000	-122.396	2.959	-235.198	7.220	
(parallel1000.1.5.8)	14942	3	32.000	-9.250	-1060.583	-162.849	-178.274	-10.415	0.888	18.120	0.569	-638.885	0.000	-162.849	2.959	-319.274	2.567	
	14943	4	32.000	-9.625	-1246.054	-203.301	-123.341	-10.452	1.000	19.000	0.560	-641.844	0.000	-203.301	2.959	-403.341	0.000	
	14944	5	32.000	-10.000	-1431.525	-243.744	-68.354	-10.489	13.403	19.071	0.550	-644.803	0.000	-243.744	2.959	-487.354	0.000	
EmbeddedBeamRow_ 2	14944	1	32.000	-10.000	-1432.049	-237.944	-68.853	-10.489	0.000	19.148	0.548	-645.327	0.000	-237.944	2.959	-487.354	0.000	
Element 2-26 (Embedded beam row)	14945	2	32.000	-10.375	-995.602	-161.000	-229.428	-2.959	3.759	19.728	0.555	-648.386	0.000	-161.000	2.959	-229.428	3.475	
(parallel1000.1.5.8)	14946	3	32.000	-10.750	-1181.071	-201.445	-178.470	-3.092	1.980	20.558	0.558	-651.445	0.000	-201.445	2.959	-313.470	3.144	
	14947	4	32.000	-11.125	-1366.542	-241.888	-128.526	-3.129	1.815	21.415	0.558	-654.504	0.000	-241.888	2.959	-407.526	4.011	
	14948	5	32.000	-11.500	-1552.013	-282.331	-73.579	-3.174	1.425	22.270	0.555	-657.563	0.000	-282.331	2.959	-491.579	0.000	
EmbeddedBeamRow_ 2	14948	1	32.000	-11.500	-1552.537	-276.531	-74.078	-3.174	0.000	22.344	0.555	-658.087	0.000	-276.531	2.959	-491.579	0.000	
Element 2-27 (Embedded beam row)	14949	2	32.000	-11.875	-604.197	-7.352	-234.247	-3.194	4.325	23.054	0.555	-661.247	0.000	-7.352	2.957	-234.247	4.276	
(parallel1000.1.5.8)	14950	3	32.000	-12.250	-809.667	-16.802	-234.247	-3.194	4.459	23.055	0.550	-664.407	0.000	-16.802	2.957	-234.247	4.337	
	14951	4	32.000	-12.625	-1015.137	-26.245	-183.713	-3.074	4.570	23.100	0.543	-667.567	0.000	-26.245	2.957	-318.213	4.295	
	14952	5	32.000	-13.000														

15015	2	38.000	34.650	-3.350	-3.350	0.000	0.000	0.000	0.000	0.000	0.000	0.000	0.000	0.000	0.000	0.000	0.000	0.000
15016	1	38.000	-35.000	-35.000	-35.000	0.000	0.000	0.000	0.000	0.000	0.000	0.000	0.000	0.000	0.000	0.000	0.000	0.000
15017	1	38.000	1.900	-458.913	-43.817	77.896	-0.354	0.065	0.354	1.000	-507.365	0.000	-43.817	0.000	0.000	0.000	98.571	0.000
15018	2	38.000	1.079	-601.188	-43.875	68.607	-0.095	-1.376	0.095	1.000	-508.562	0.000	-43.875	0.000	0.000	0.000	92.059	0.000
15019	4	38.000	0.899	-461.571	-44.030	39.418	-1.387	-0.832	1.387	1.000	-509.574	0.000	-44.030	0.000	0.000	0.000	82.446	0.000
15020	1	38.000	0.658	-633.678	-44.190	50.158	-2.589	0.786	2.589	1.000	-511.571	0.000	-44.190	0.000	0.000	0.000	87.719	0.000
15021	1	38.000	0.658	-633.678	-44.190	50.158	-2.589	0.786	2.589	1.000	-511.571	0.000	-44.190	0.000	0.000	0.000	87.719	0.000
15022	2	38.000	0.375	-465.558	-43.814	37.679	-4.107	1.401	4.107	1.000	-514.245	0.000	-43.814	0.000	0.000	0.000	69.580	0.000
15023	1	38.000	0.092	-468.529	-43.202	25.344	-5.960	2.575	5.960	1.000	-517.401	0.000	-43.202	0.000	0.000	0.000	64.434	0.000
15024	4	38.000	-0.492	-471.867	-42.279	13.227	-7.403	3.601	7.403	1.000	-520.978	0.000	-42.279	0.000	0.000	0.000	24.373	0.000
15025	1	38.000	-0.475	-475.814	-41.653	14.291	-5.983	8.841	5.983	1.000	-524.678	0.000	-41.653	0.000	0.000	0.000	25.280	0.000
15026	1	38.000	-0.475	-475.814	-41.653	14.291	-5.983	8.841	5.983	1.000	-524.678	0.000	-41.653	0.000	0.000	0.000	25.280	0.000
15027	2	38.000	-0.856	-481.443	-39.133	-13.877	-9.518	6.179	9.518	1.000	-530.541	0.000	-39.133	0.000	0.000	0.000	38.889	0.000
15028	1	38.000	-1.277	-487.123	-36.846	-28.378	-6.209	5.374	6.209	1.000	-536.410	0.000	-36.846	0.000	0.000	0.000	11.877	0.000
15029	4	38.000	-1.619	-493.345	-34.175	-11.109	-11.109	7.392	11.109	1.000	-542.738	0.000	-34.175	0.000	0.000	0.000	41.932	0.000
15030	1	38.000	-2.000	-500.250	-31.028	-34.284	-4.040	9.014	4.040	1.000	-549.111	0.000	-31.028	0.000	0.000	0.000	54.284	0.000
15031	1	38.000	-2.500	-505.044	-30.041	-69.650	-4.035	1.283	10.149	0.387	-554.347	0.000	-30.041	0.000	0.000	0.000	69.650	0.000
15032	1	38.000	-3.000	-514.344	-29.188	-99.132	-3.247	0.086	10.486	0.378	-562.642	0.000	-29.188	0.000	0.000	0.000	99.132	0.000
15033	1	38.000	-4.000	-528.701	-26.198	-113.714	-3.041	-0.397	10.428	0.291	-566.523	0.000	-26.198	0.000	0.000	0.000	113.714	0.000
15034	1	38.000	-4.000	-528.701	-26.198	-113.714	-3.041	-0.397	10.428	0.291	-566.523	0.000	-26.198	0.000	0.000	0.000	113.714	0.000
15035	1	38.000	-4.750	-532.851	-29.211	-135.773	-13.287	1.222	13.287	1.000	-579.680	0.000	-29.211	0.000	0.000	0.000	135.773	1.289
15036	4	38.000	-5.125	-540.083	-28.536	-146.617	-14.134	2.683	14.134	1.000	-586.521	0.000	-28.536	0.000	0.000	0.000	146.617	0.000
15037	5	38.000	-5.500	-547.540	-27.496	-157.130	-11.995	2.968	15.126	0.917	-590.510	0.000	-27.496	0.000	0.000	0.000	157.130	1.111
15038	1	38.000	-6.000	-554.889	-25.857	-171.719	-9.979	3.477	15.729	1.000	-596.688	0.000	-25.857	0.000	0.000	0.000	171.719	1.118
15039	2	38.000	-6.250	-561.482	-24.557	-176.732	-12.540	4.518	16.824	0.821	-601.098	0.000	-24.557	0.000	0.000	0.000	176.732	1.284
15040	4	38.000	-6.625	-568.117	-22.670	-188.396	-11.963	5.182	17.690	0.685	-605.789	0.000	-22.670	0.000	0.000	0.000	188.396	1.586
15041	4	38.000	-7.000	-574.564	-20.529	-193.703	-11.454	5.852	18.460	0.634	-610.236	0.000	-20.529	0.000	0.000	0.000	193.703	2.488
15042	1	38.000	-7.375	-581.809	-18.859	-201.014	-10.964	6.526	19.239	0.588	-614.738	0.000	-18.859	0.000	0.000	0.000	201.014	4.488
15043	2	38.000	-7.750	-589.830	-16.136	-209.959	-10.945	7.579	18.646	0.587	-619.461	0.000	-16.136	0.000	0.000	0.000	209.959	10.89
15044	1	38.000	-8.125	-597.778	-12.461	-219.512	-9.842	8.212	19.077	0.560	-624.204	0.000	-12.461	0.000	0.000	0.000	219.512	4.300
15045	4	38.000	-8.500	-606.667	-9.157	-231.675	-9.242	9.294	20.256	0.468	-629.374	0.000	-9.157	0.000	0.000	0.000	231.675	4.788
15046	1	38.000	-9.000	-615.600	-6.500	-245.809	-8.239	9.826	21.253	0.406	-634.686	0.000	-6.500	0.000	0.000	0.000	245.809	4.796
15047	2	38.000	-9.375	-624.577	-2.996	-259.203	-6.899	10.495	22.178	0.343	-639.961	0.000	-2.996	0.000	0.000	0.000	259.203	5.254
15048	1	38.000	-9.750	-633.598	0.057	-273.537	-5.821	12.515	22.817	0.280	-645.312	0.000	0.057	0.000	0.000	0.000	273.537	5.665
15049	4	38.000	-10.125	-642.641	0.015	-287.004	-4.718	14.304	23.224	0.241	-650.538	0.000	0.015	0.000	0.000	0.000	287.004	5.991
15050	1	38.000	-10.500	-651.747	-1.986	-301.428	-3.786	16.209	23.669	0.202	-655.828	0.000	-1.986	0.000	0.000	0.000	301.428	6.297
15051	1	38.000	-10.875	-660.892	-4.955	-315.826	-2.840	18.207	24.154	0.164	-661.169	0.000	-4.955	0.000	0.000	0.000	315.826	6.604
15052	1	38.000	-11.250	-670.087	-7.924	-330.307	-1.886	19.856	24.561	0.127	-666.560	0.000	-7.924	0.000	0.000	0.000	330.307	6.911
15053	1	38.000	-11.625	-679.332	-10.893	-344.880	-0.939	21.522	24.934	0.091	-672.001	0.000	-10.893	0.000	0.000	0.000	344.880	7.218
15054	1	38.000	-12.000	-688.627	-13.862	-359.523	-0.010	23.214	25.282	0.055	-677.492	0.000	-13.862	0.000	0.000	0.000	359.523	7.525
15055	1	38.000	-12.375	-697.972	-16.831	-374.336	0.934	24.931	25.617	0.019	-683.033	0.000	-16.831	0.000	0.000	0.000	374.336	7.832
15056	1	38.000	-12.750	-707.367	-19.800	-389.319	1.867	26.648	25.935	0.018	-688.627	0.000	-19.800	0.000	0.000	0.000	389.319	8.139
15057	1	38.000	-13.125	-716.812	-22.769	-404.472	2.800	28.384	26.247	0.008	-694.274	0.000	-22.769	0.000	0.000	0.000	404.472	8.446
15058	1	38.000	-13.500	-726.307	-25.738	-419.795	3.733	30.139	26.556	0.006	-699.972	0.000	-25.738	0.000	0.000	0.000	419.795	8.753
15059	1	38.000	-13.875	-735.852	-28.707	-435.308	4.666	31.904	26.864	0.005	-705.720	0.000	-28.707	0.000	0.000	0.000	435.308	9.060
15060	1	38.000	-14.250	-745.447	-31.676	-451.011	5.599	33.679	27.172	0.004	-711.518	0.000	-31.676	0.000	0.000	0.000	451.011	9.367
15061	1	38.000	-14.625	-755.092	-34.645	-466.914	6.532	35.454	27.480	0.003	-717.365	0.000	-34.645	0.000	0.000	0.000	466.914	9.674
15062	1	38.000	-15.000	-764.787	-37.614	-483.017	7.465	37.229	27.787	0.002	-723.262	0.000	-37.614	0.000	0.000	0.000	483.017	9.981
15063	1	38.000	-15.375	-774.532	-40.583	-499.320	8.398	39.004	28.094	0.001	-729.209	0.000	-40.583	0.000	0.000	0.000	499.320	10.288
15064	1	38.000	-15.750	-784.327	-43.552	-515.823	9.331	40.779	28.401	0.000	-735.206	0.000	-43.552	0.000	0.000	0.000	515.823	10.595
15065	1	38.000	-16.125	-794.172	-46.521	-532.526	10.264	42.554	28.708	0.000	-741.253	0.000	-46.521	0.000	0.000	0.000	532.526	10.902
15066	1	38.000	-16.500	-804.067	-49.490	-549.429	11.197	44.329	29.015	0.000	-747.350	0.000	-49.490	0.000	0.000	0.000	549.429	11.209
15067	1	38.000	-16.875	-814.012	-52.459	-566.532	12.130	46.104	29.322	0.000	-753.497	0.000	-52.459	0.000	0.000	0.000	566.532	11.516
15068	1	38.000	-17.250	-824.007	-55.428	-583.835	13.063	47.879	29.629	0.000	-759.694	0.000	-55.428	0.000	0.000	0.000	583.835	11.823
15069	1	38.000	-17.625	-834.052	-58.397	-601.338	14.006	49.654	30.000	0.000	-765.941	0.000	-58.397	0.000	0.000	0.000	601.338	12.130
15070	2	38.000	-18.000	-844.147	-61.366	-619.041	15.000	51.429	30.307	0.000	-772.238	0.000	-61.366	0.000	0.000	0.000	619.041	12.437
15071	1	38.000	-18.375	-854.292	-64.335	-636.944	16.000	53.202	30.614	0.000	-778.585	0.000	-64.335	0.000	0.000	0.000	636.944	12.744
15072	4	38.000	-18.750	-864.487	-67.304	-655.047	17.000	54.975	30.921	0.000	-784.982	0.000	-67.304	0.000	0.000	0.000	655.047	13.051
15073	1	38.000	-19.125	-874.732	-70.273	-673.350	18.000	56.748	31.228	0.000	-791.429	0.000	-70.273	0.000	0.000	0.000	673.350	13.358
15074	1	38.000	-19.500	-885.027	-73.242	-691.853	19.000	58.521	31.535	0.000	-797.926	0.000	-73.242	0.000	0.000	0.000	691.853	13.665
15075	1	38.000	-19.875	-895.372	-76.211	-710.556	20.000	60.294	31.842	0.000	-804.473	0.000	-76.211	0.000</				