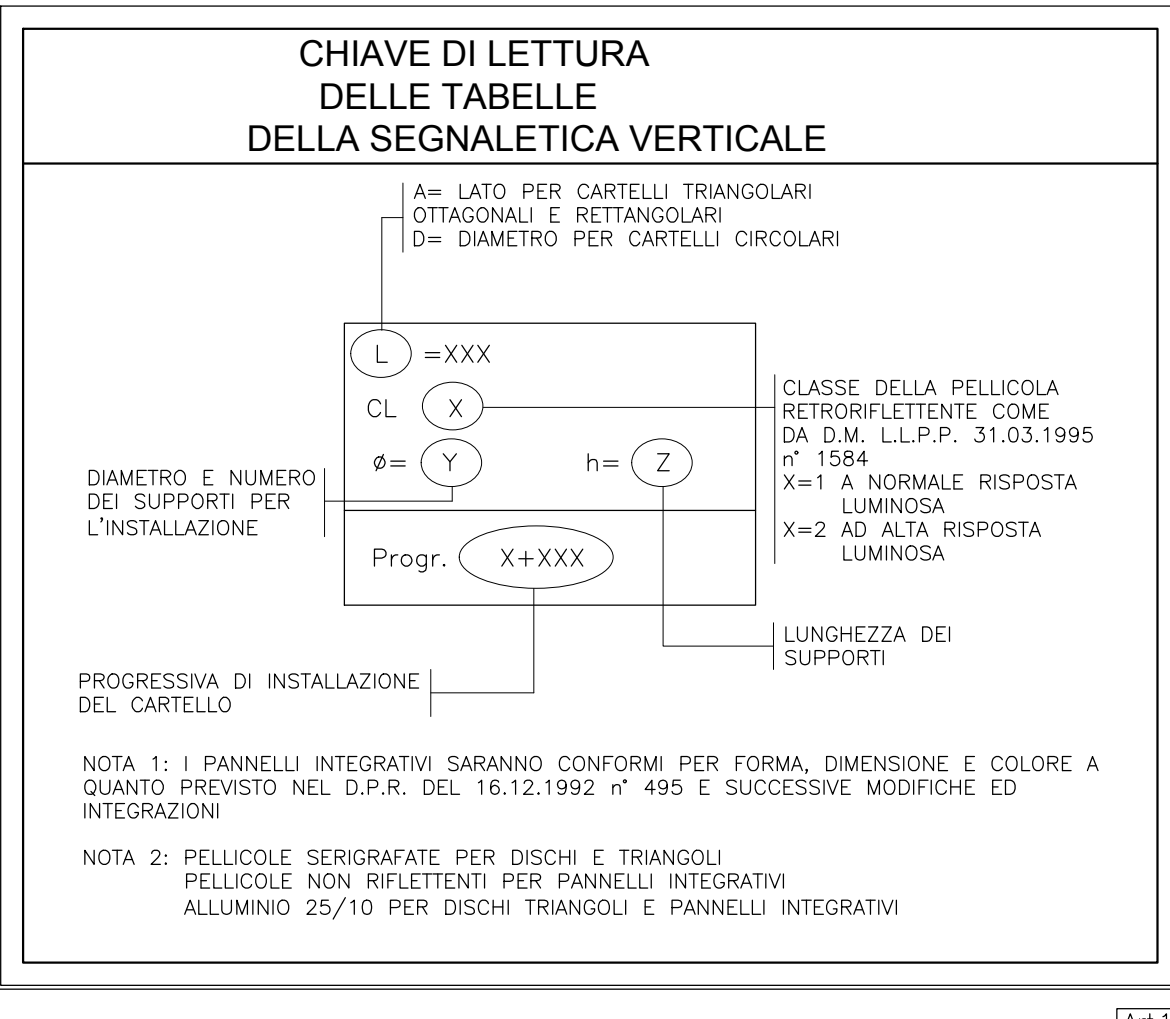
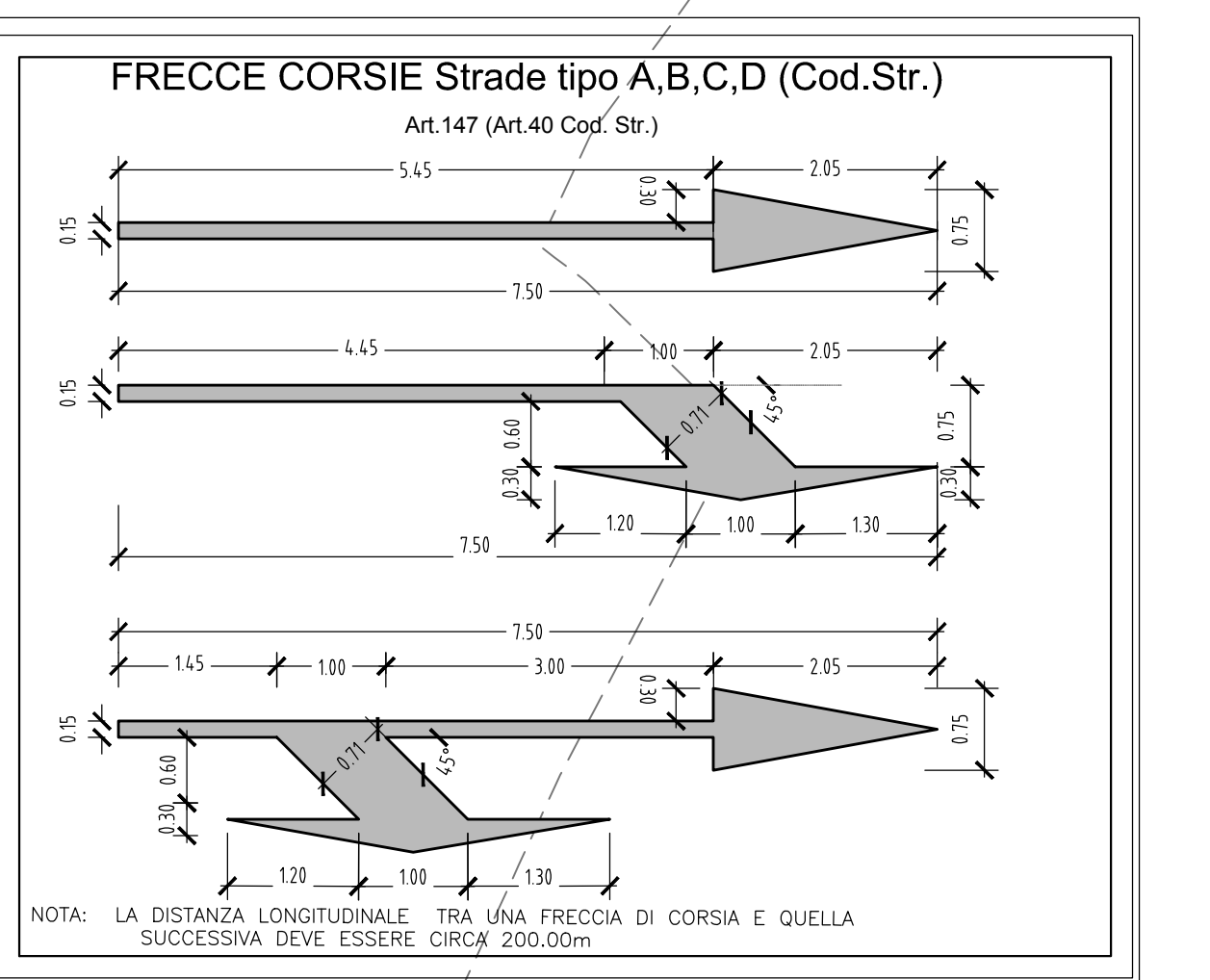
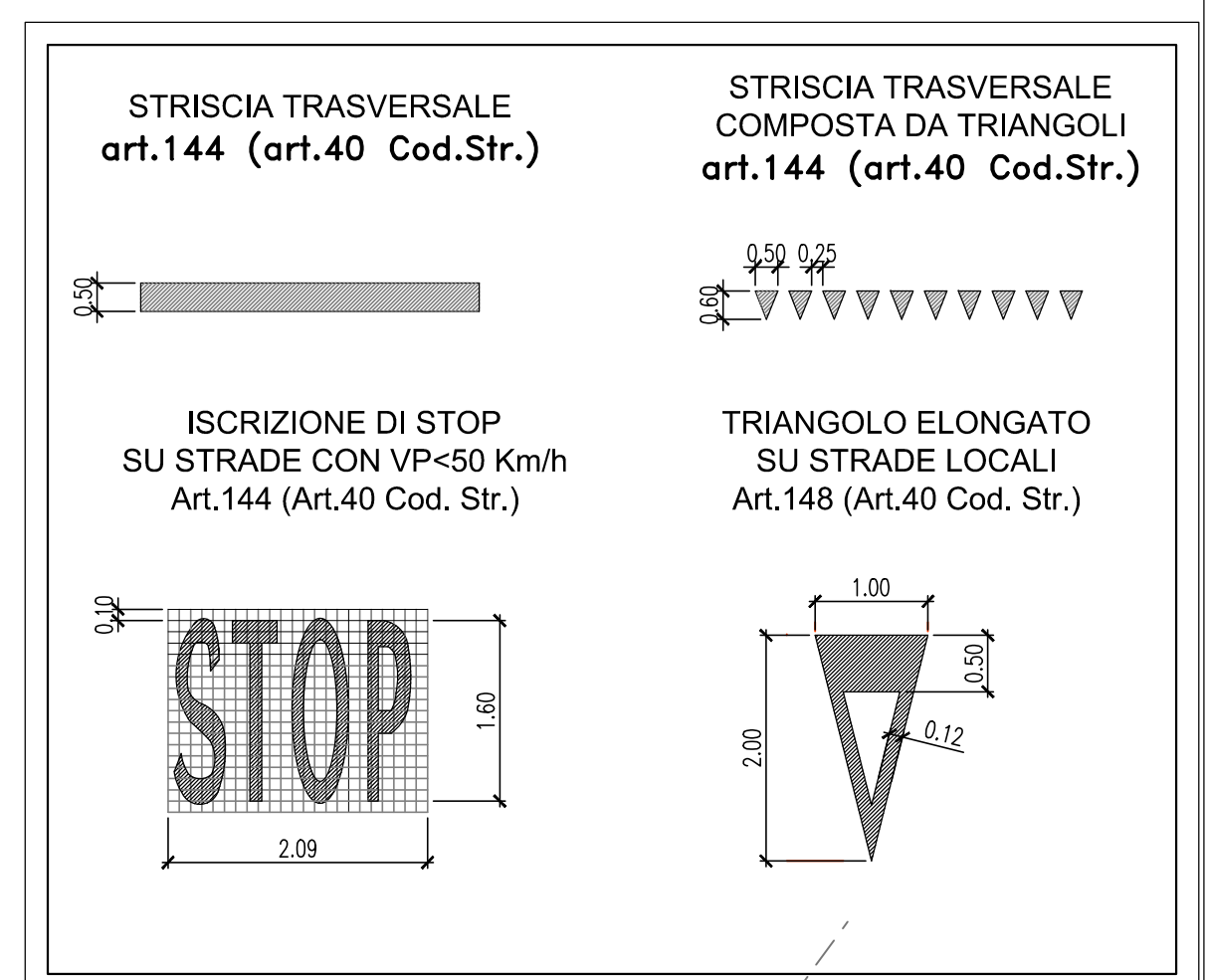
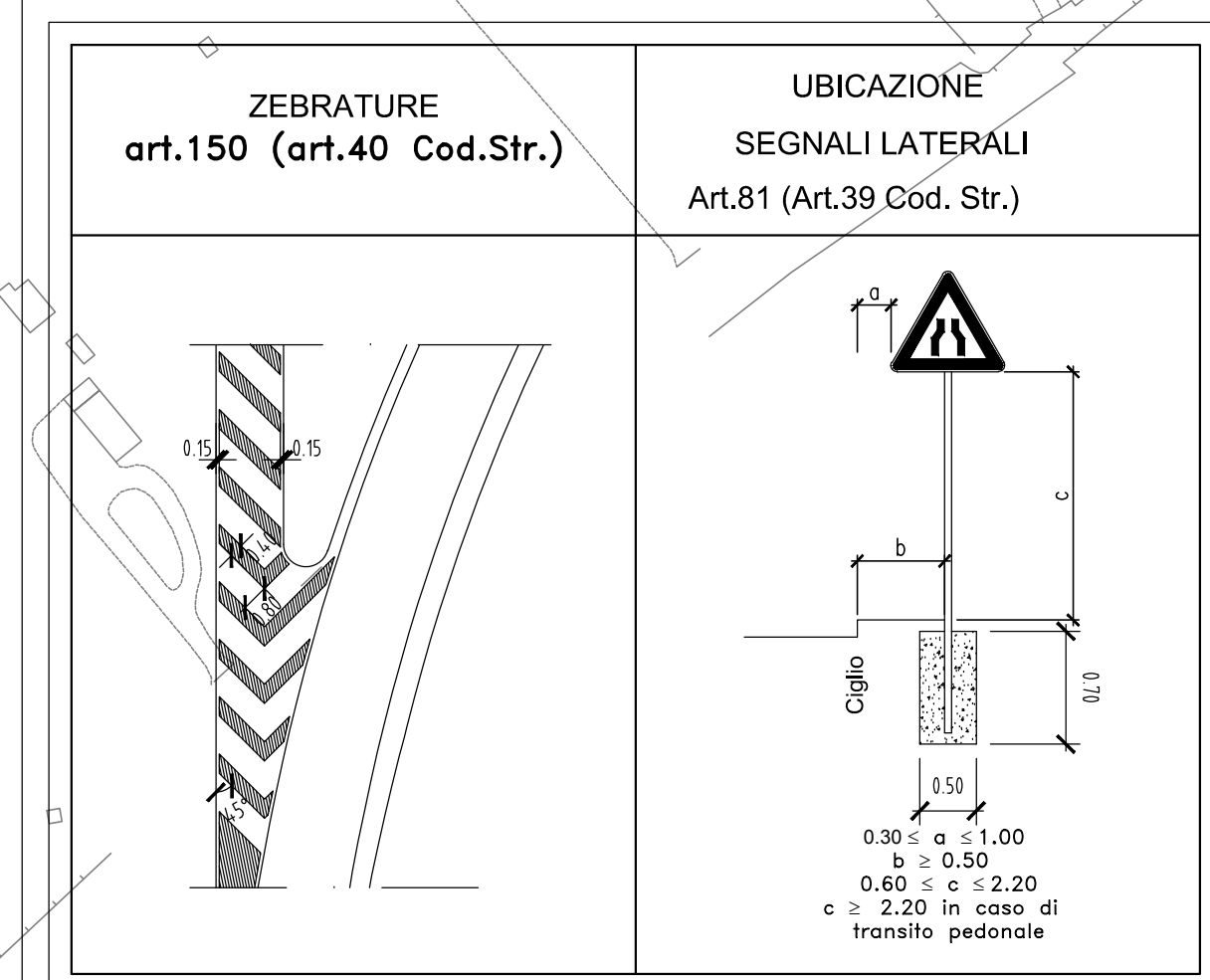
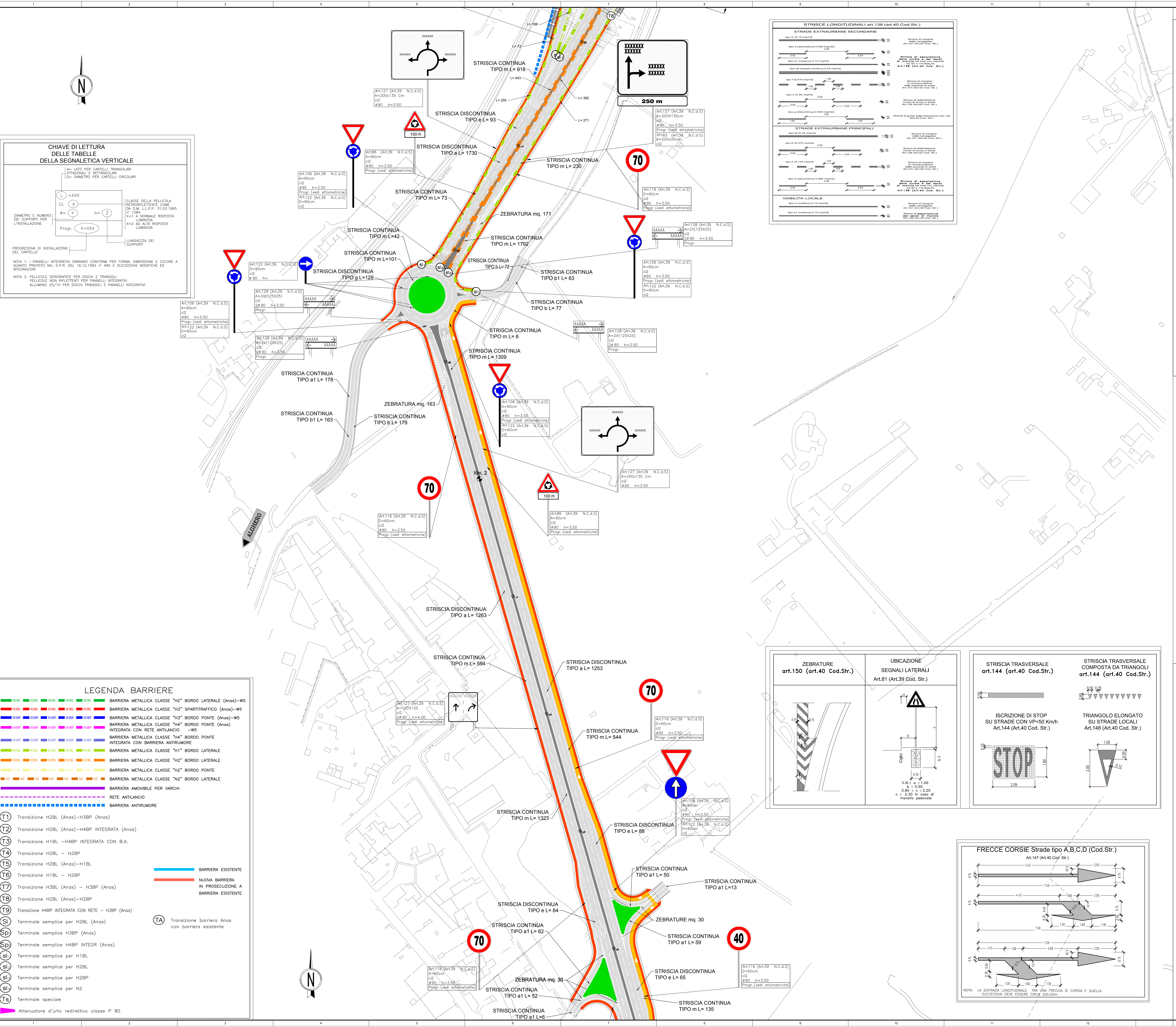


Table with 2 columns: 'STRISCE EXTRAURBANE SECONDARIE' and 'STRISCE EXTRAURBANE PRINCIPALI'. It lists various road types and their corresponding technical specifications and codes.



LEGENDA BARRIERE. Table listing various barrier types (e.g., H2BL, H3BP, H4BP) and their corresponding symbols and colors. It also includes a legend for existing and new barriers.



Project information block including: ANAS logo, Direzione Progettazione e Realizzazione Lavori, project name 'NUOVA S.S.291 COLLEGAMENTO SASSARI - ALGERO - AEROPORTO', project phase 'PROGETTO DEFINITIVO', and a table with project details like 'CODICE PROGETTO', 'NOME FILE', 'REVISIONE', and 'SCALA'.