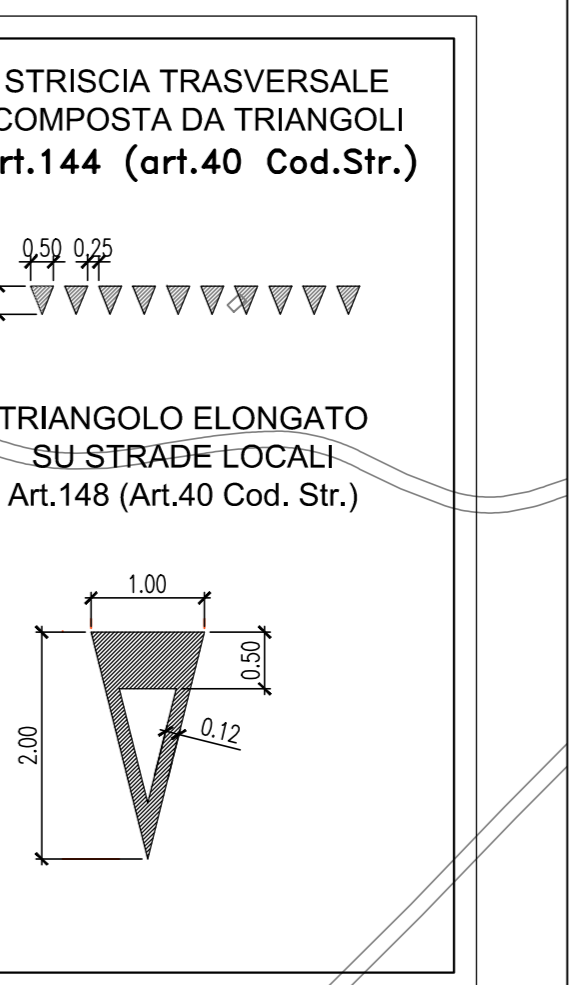
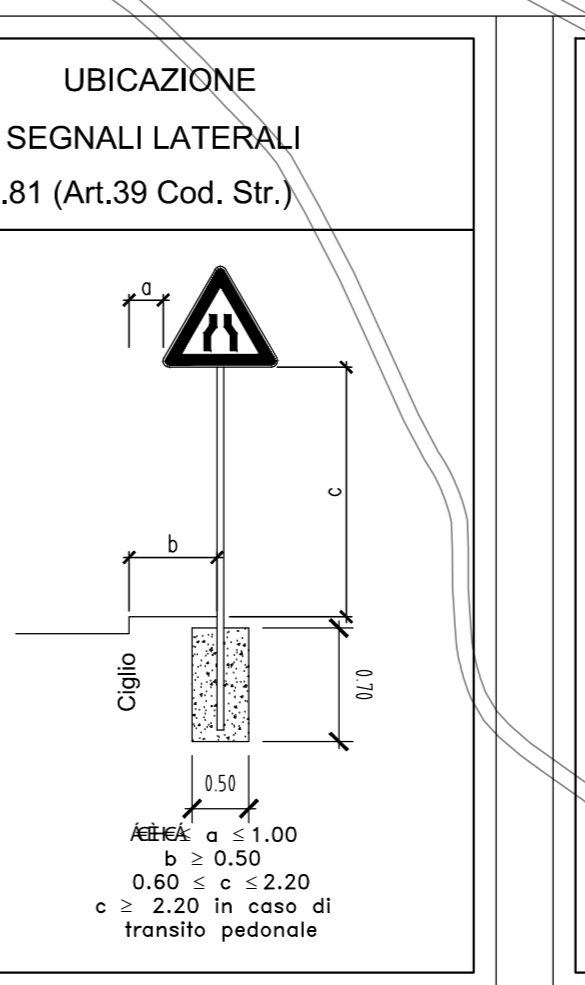
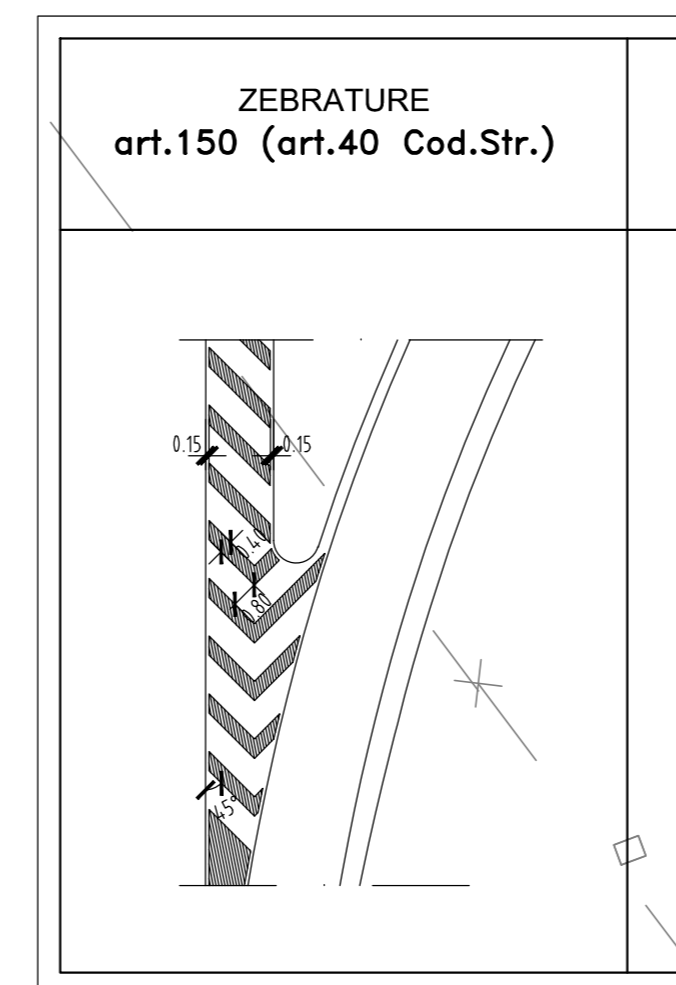
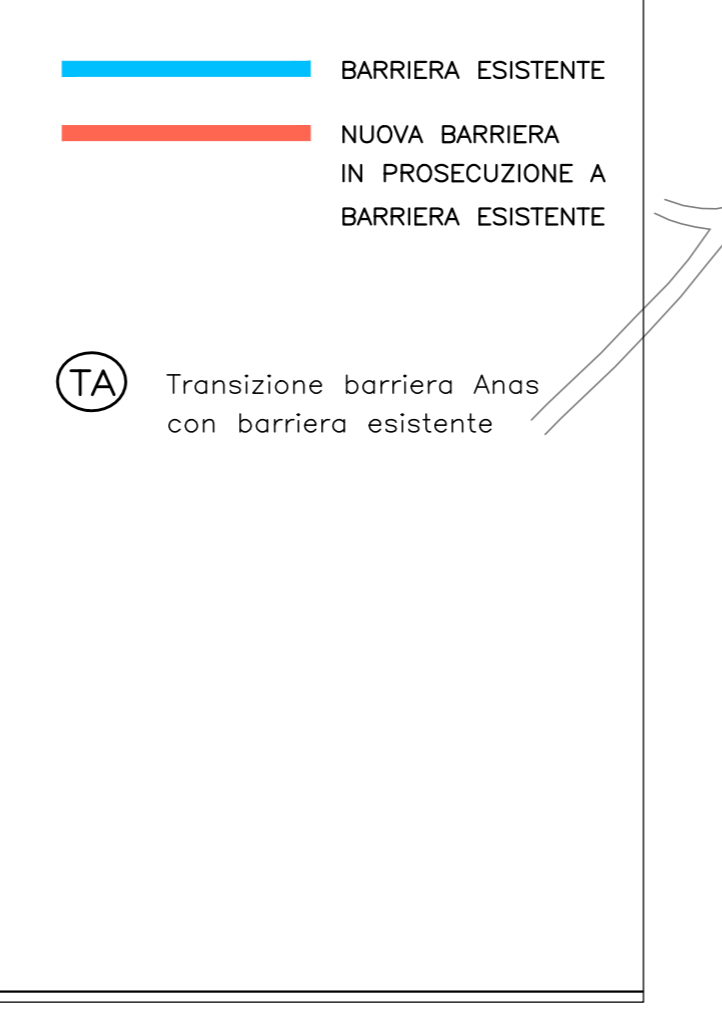


Table with 2 columns: 'STRADE EXTRAURBANE SECONDARIE' and 'STRADE EXTRAURBANE PRINCIPALI'. It lists various road types and their corresponding barrier specifications.

LEGENDA BARRIERE. Table listing various barrier types (T1-T4, T5-T9, SI, Sp, sl, sl1, sl2, Ts) and their corresponding barrier classes (e.g., Classe 'h2', 'h3', 'h4').



Project title and identification information in Italian.

Table with project details including project name, location, and dates.

Table with project management information including codes, revisions, and scale.