

PLAN AT EL 0.00

Reference Drawings	No.
SRU3 / TCGU - PLAN AT EL. 5000 AND OVER	S64084-L-10200
SRU3 / TCGU - VIEW "A-A" "B-B" "C-C"	S64084-L-10300

EQUIPMENT LIST - CLAUS SECTION		
ITEM	DESCRIPTION	REMARKS
B-101	WASTE HEAT BOILER	
B-102	SULPHUR CONDENSERS	
E-101	FIRST PROCESS GAS HEATER	
E-102	SECOND PROCESS GAS HEATER	
F-101	THERMAL REACTOR	
D-101	AMINE-ACID GAS SEPARATOR	
D-102	SWS-ACID GAS SEPARATOR	
D-103	FUEL GAS SEPARATOR	
D-104	PROPULSION VESSEL	
D-105	BOILER BLOW DOWN COOLER	
D-106	SULPHUR COALESCER	
R-101/R-102	CATALYTIC REACTOR	
K-101 A/B	COMBUSTION AIR BLOWERS	
X-101/2/3/4	HYDRAULIC SEALS	

EQUIPMENT LIST - DEGASSING & STORAGE		
ITEM	DESCRIPTION	REMARKS
D-107	SULPHUR PIT	
P-101 A/B	SULPHUR TRANSFER PUMPS	
P-102 A/B	SULPHUR DELIVERY PUMPS	
J-101	VENT GAS EJECTOR	

EQUIPMENT LIST - HCR SECTION		
ITEM	DESCRIPTION	REMARKS
E-201	PROCESS GAS HEATER (BEU)	
E-202	HP BFW PREHEATER	
E-203	PUMPAROUND COOLER	
F-201	CONDENSATE SEPARATOR	
P-201 A/B	WASTE WATER RECYCLE PUMPS	
P-202	PUMPAROUND PUMP	
P-203 A/B	RICH MDEA PUMPS	
R-201	REDUCING REACTOR	
T-201	WATER REMOVAL TOWER	
T-202	MDEA ABSORBER	
X-201 A/B	WASTE WATER FILTERS	
K-201	RECYCLE FAN	

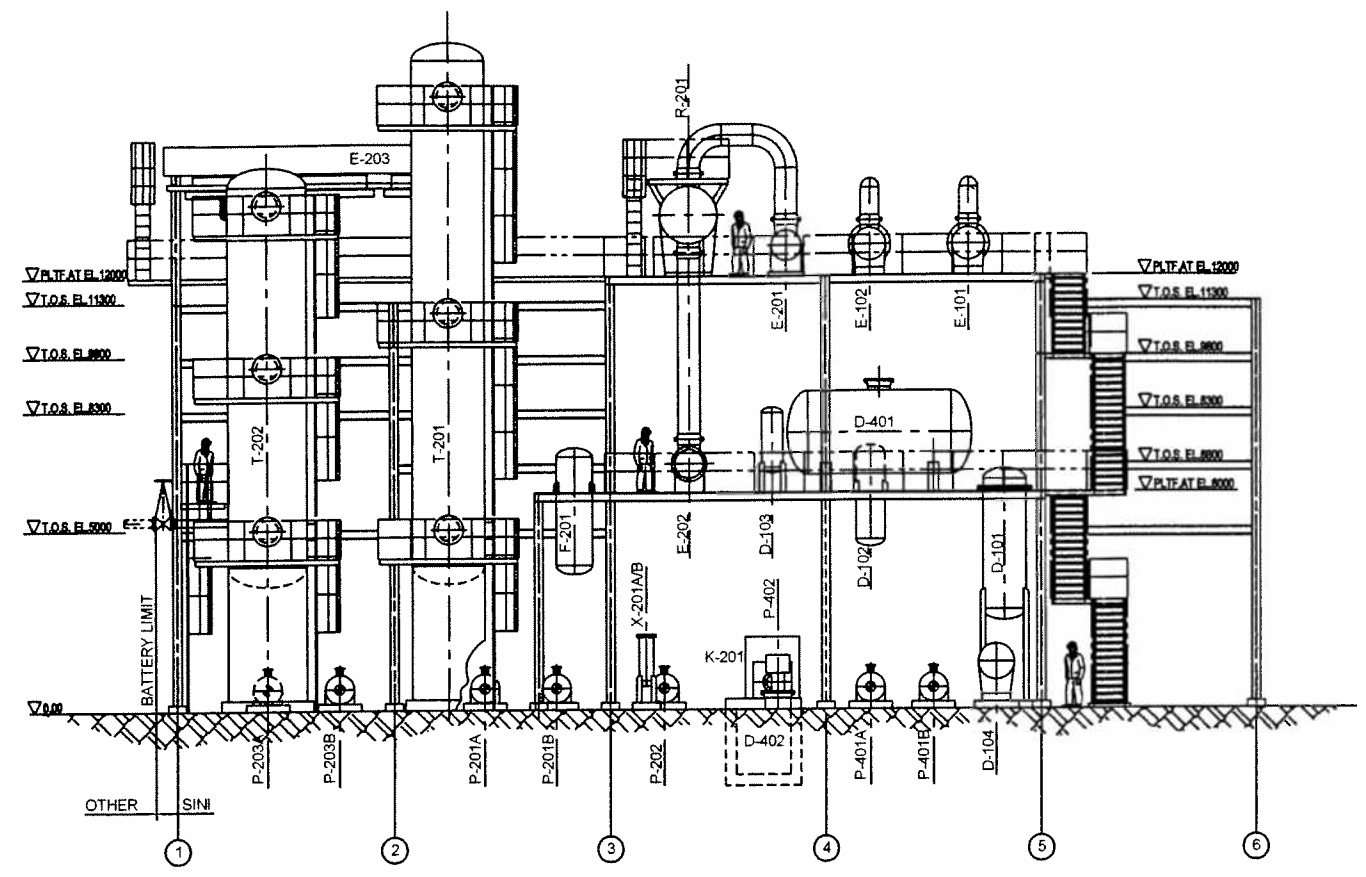
EQUIPMENT LIST - BFW		
ITEM	DESCRIPTION	REMARKS
D-401	BFW STORAGE DRUM	
P-401 A/B	BFW PUMPS	
P-402	MDEA TRANSFER PUMP	
D-402	MDEA DRAIN PIT	

GENERAL NOTE:
 1) ALL DIMENSIONS/ELEVATIONS AND CO-ORDINATES ARE IN MM.
 2) EXACT LOCATION OF EQUIPMENT & EXTENT OF PLATFORM/LADDER SHALL BE DEFINED UP DURING DETAIL ENGINEERING.

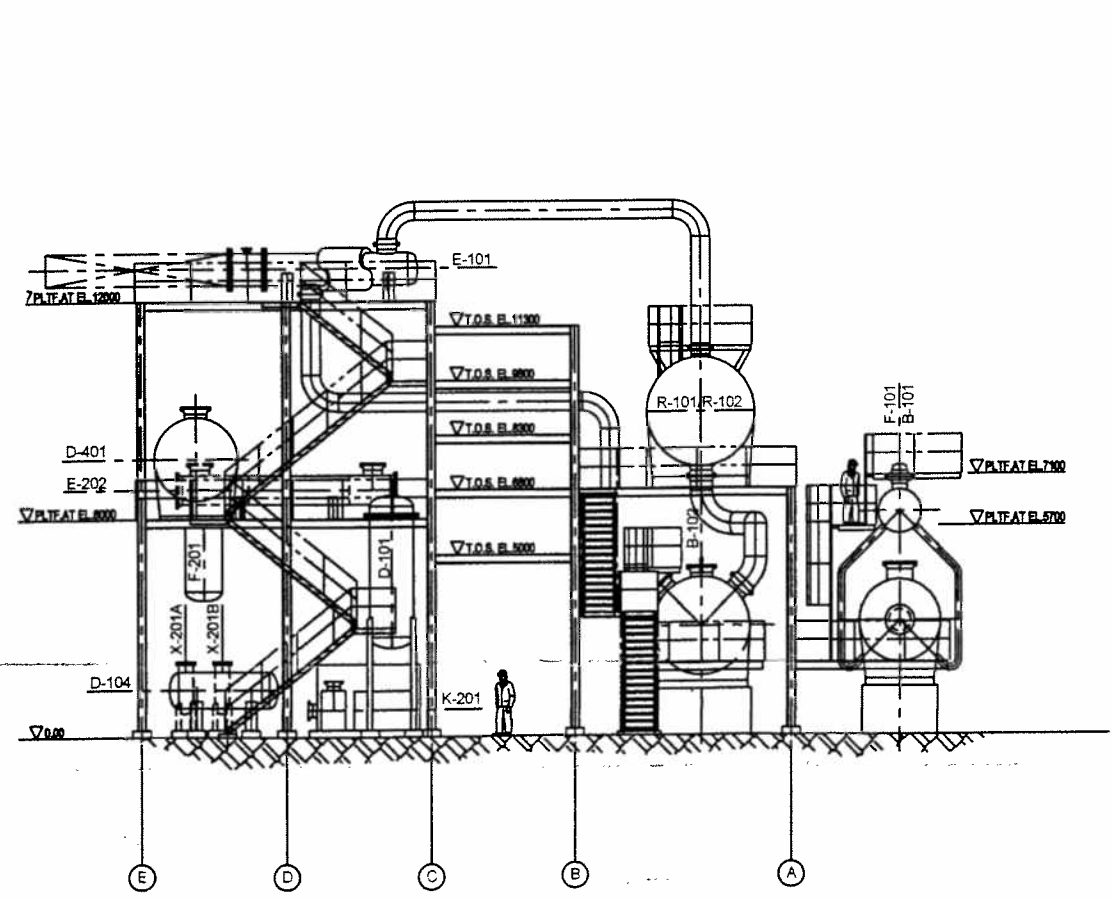
BASE SOLUTION

0	OCT.'06	ISSUE FOR BID		STED	G.M.	E.I.
REV.	DATE	DESCRIPTION	DRWING	CHECK'D	APPR'D	
		IES - MANTOVA REFINERY RAFFINERIA DI MANTOVA				
IES - MANTOVA REFINERY		PROJECT	S-64084	SCALE	1:100	
SULPHUR PLANT - SRU3 / TCGU PLOT PLAN - EL. 0.00		CONTRACT	***	DATE	ISSUE	APPROV.
		ORIGINAL	OCT.'06	STED	G.M.	E.I.
		ISSUE	S64084-L-10100	REV.	0	

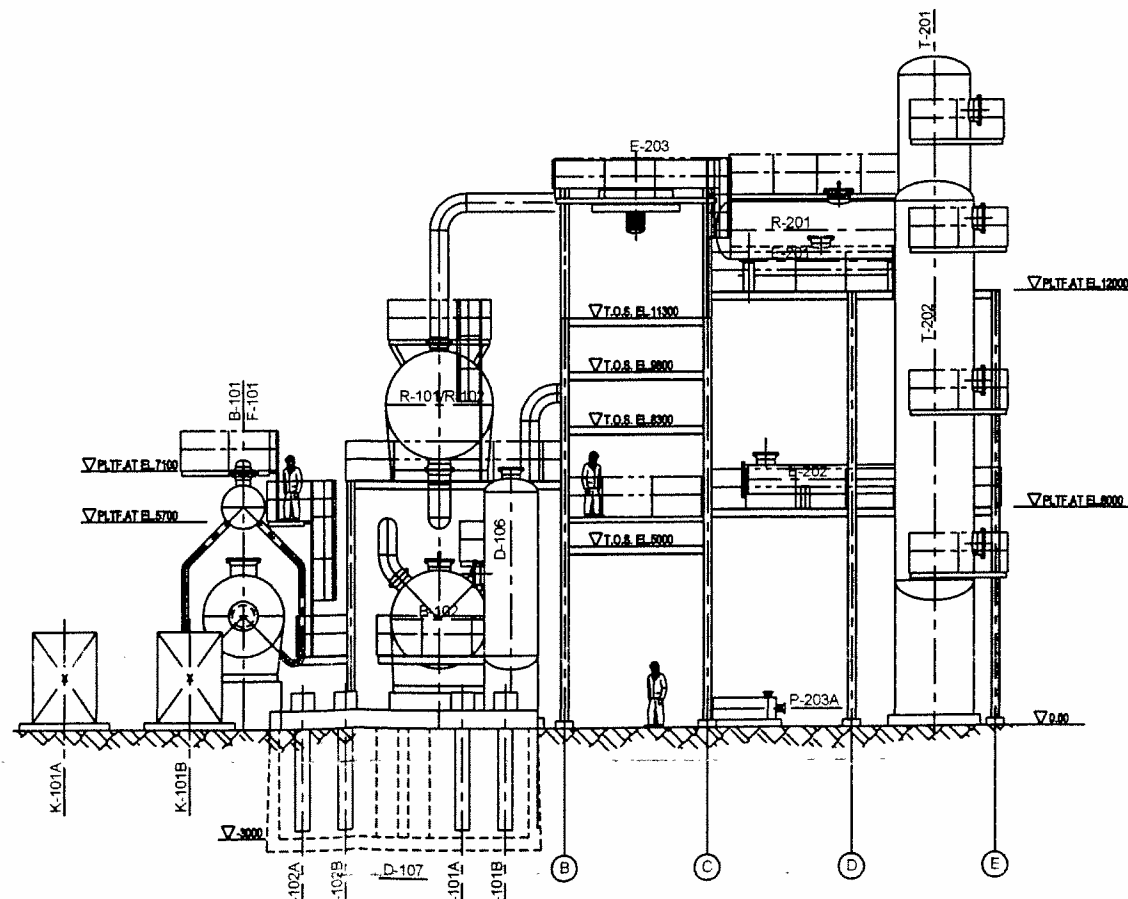
Reference Drawings	No.
SRU3 / TCCU - PLANIMETRIA EL. 0.00	S64084-L-10100
SRU3 / TCCU - PLANIMETRIA EL. 5000 E OLTRE	S64084-L-10200



VISTA "A-A"



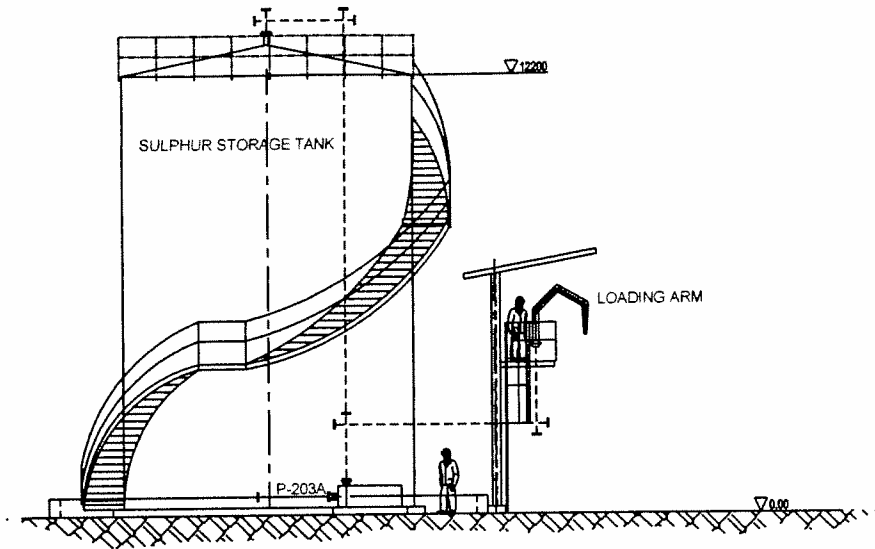
VISTA "C-C"



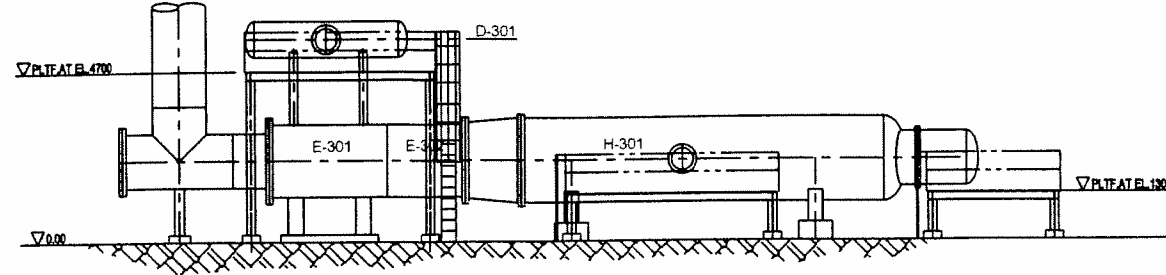
VISTA "B-B"

REV.	DATE	DESCRIPTION	DRAWN	CHECKED	APPROVED
0	OCT.06	ISSUE FOR BID	STED	G.M.	E.I.

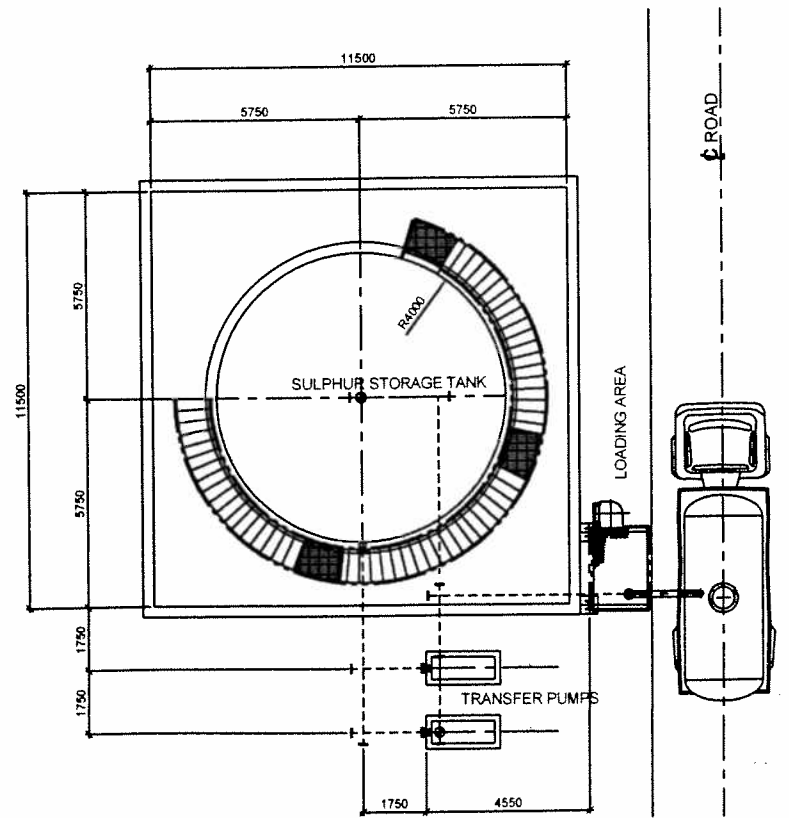
	IES - MANTOVA REFINERY		
	RAFFINERIA DI MANTOVA		
PROJECT	S-64084	SCALE	1:100
CONTRACT	***	DATE	OCT.06
ORIGINAL ISSUE	OCT.06	DRAWN	STED
		CHECKED	G.M.
		APPROVED	E.I.
	S64084-L-10300	REV.	0



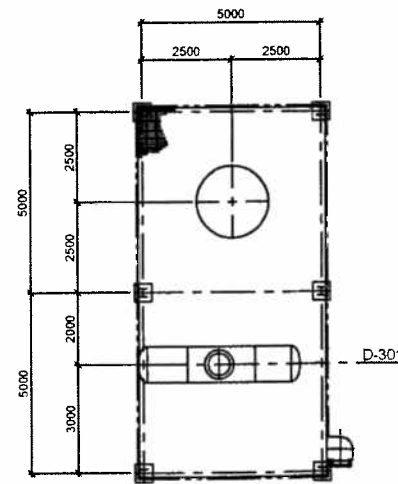
VIEW



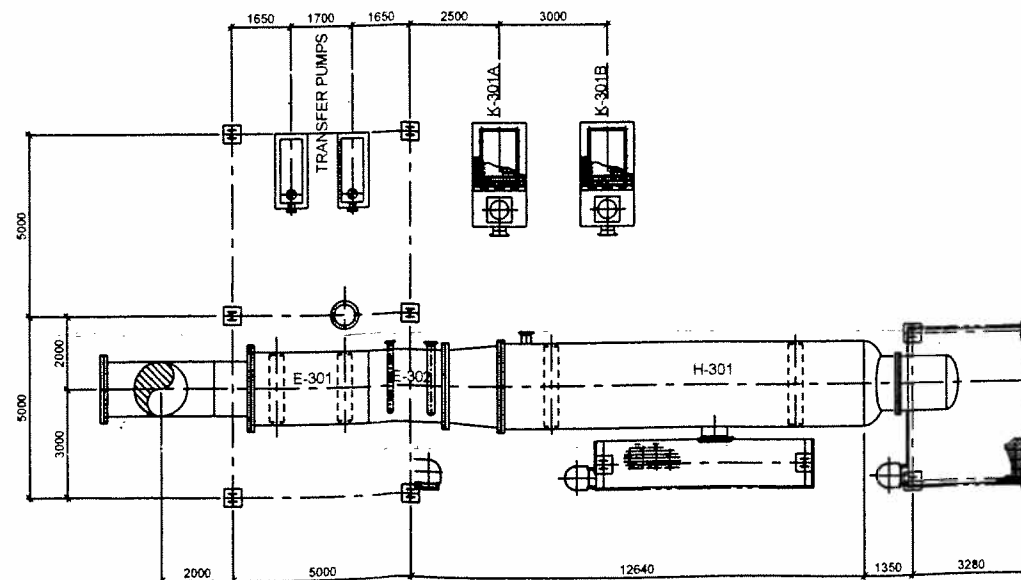
VIEW



PLAN AT EL 0.00



PLAN AT EL 4700



PLAN AT EL 0.00

Reference Drawings	No.

EQUIPMENT LIST - STORAGE		
ITEM	DESCRIPTION	REMARKS
TK-	SULPHUR STORAGE TANK	
P- A/B	TRANSFER PUMPS	
J-	LOADING ARM	
EQUIPMENT LIST - INCINERATOR		
ITEM	DESCRIPTION	REMARKS
D-301	STEAM DRUM	
E-301	WASTE HEAT BOILER	
E-302	STEAM SUPERHEATER	
H-301	INCINERATOR	
K-301A/B	COMBUSTION AIR FANS	
	INCINERATOR BURNER	

GENERAL NOTE:

- 1) ALL DIMENSIONS/ELEVATIONS AND CO-ORDINATES ARE IN MM.
- 2) EXACT LOCATION OF EQUIPMENT & EXTENT OF PLATFORM/LADDER SHALL BE DEFINED UP DURING DETAIL ENGINEERING.

REV.	DATE	DESCRIPTION	DRAWN	CHECK'D	APPR'D
0	OCT.'06	ISSUE FOR BID			
SIIRTEC NIGI IES - MANTOVA REFINERY RAFFINERIA DI MANTOVA					
PROJECT		S-64084	SCALE		1:100
CONTRACT		***	DATE		OCT.'06
ORIGINAL ISSUE		OCT.'06	DRAWN	CHECK'D	APPR'D
NO.		S64084-L-10400	G.M.		E.L.
REV.		0	G.M.		E.L.