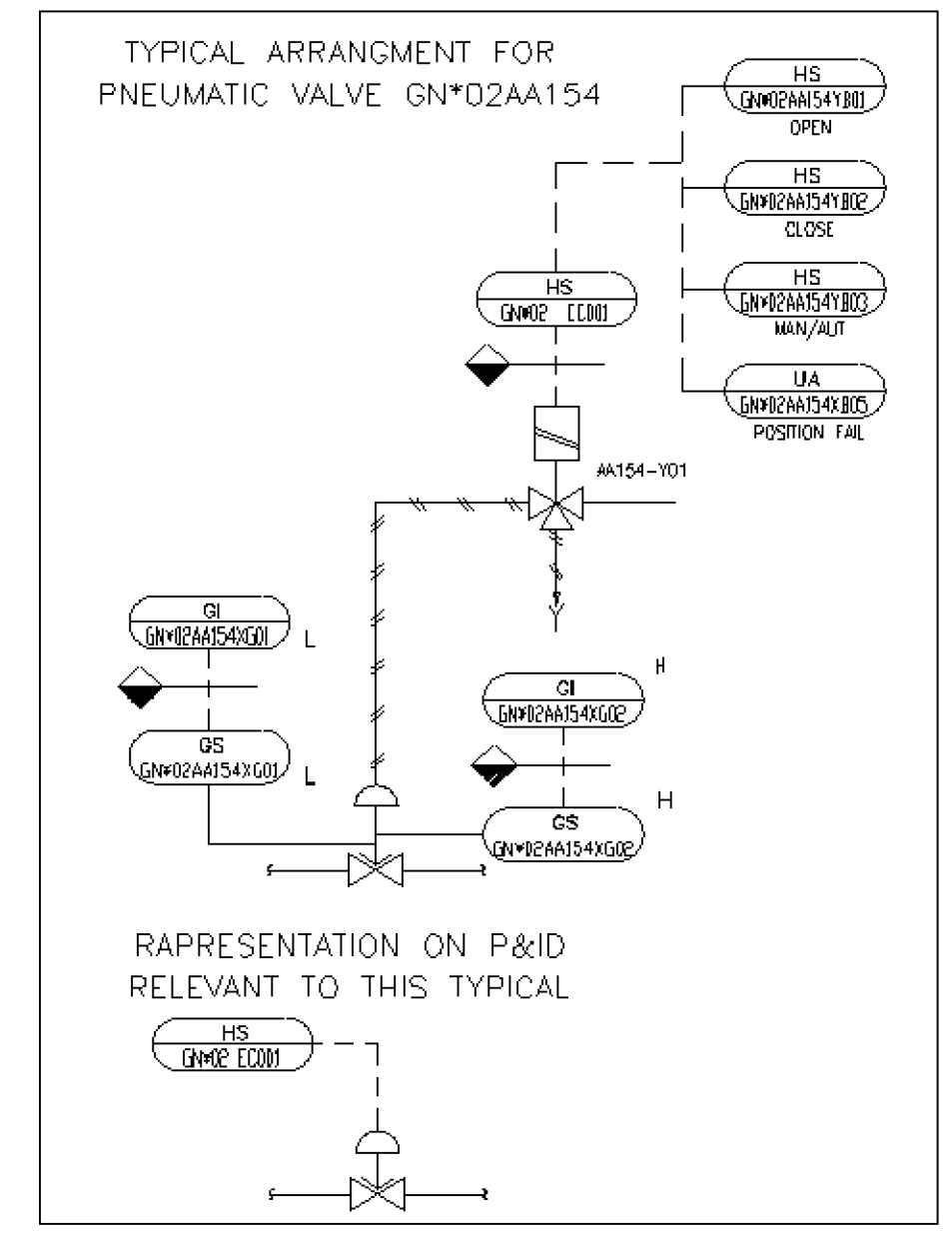
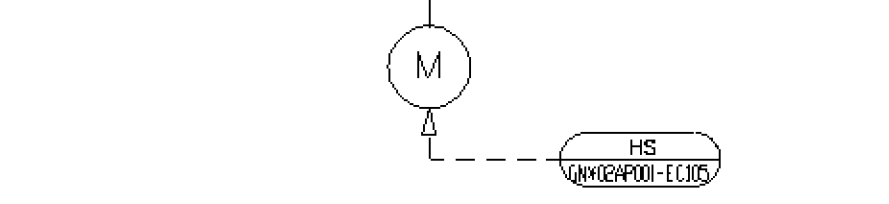
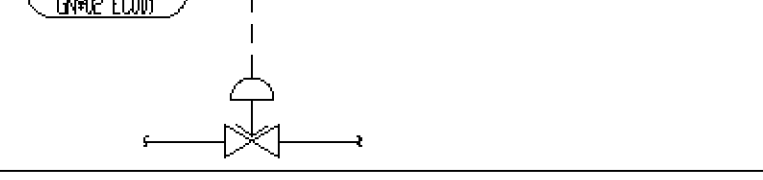


REPRESENTATION ON P&ID RELEVANT TO THIS TYPICAL



REPRESENTATION ON P&ID RELEVANT TO THIS TYPICAL



- NOTES:
- SUBSYSTEM : GN*02
 - EQUIPMENT, PIPING, COMPONENTS, VALVES AND INSTRUMENTS IDENTIFICATION NUMBER IS PREFIXED WITH 4
 - BATTERY LIMITS

REFERENCE DOCUMENTS

DWG.	TITLE	VENDOR	PURCHASER
1.	0249A1GH*S001		DEMI WATER DISTRIBUTION SYSTEM P.& I.D.
2.	0249A1QC*S001		CHEMICAL INJECTION SYSTEM P.& I.D.
3.	0249A1LC*S001		CONDENSATE SYSTEM P.& I.D.

REV.	DATE	DESCRIPTION	PRPD	GN*02	APPR
0	22.03.04	REVISIONE X INSERIMENTO ACQUA POTABILE	Rufolo	Isidoro	Sovini
1	11.09.04	EMISSIONE - ISSUE	Rufolo	Gerardo/Saracino	Sovini
Progetto/project		ROSELECTRA PROJECT		Cliente/client	
Commissio/job no.		0249		ELECTRABEL s.a.	
Emittente/issued by		FI		255.D.04	
Codice struttura		Identificativo/document no.		Rev./rev.	
0249 F1 GN* M004		0249 F1 GN* M004		Foglio sheet	
Titolo		P. & I.D.		Sh. of Sh.	
Neutralization Treatment		Neutralization Treatment		1 of 1	
Ansaldo Energia		Ansaldo Energia s.p.a. si riserva tutti i diritti su questo documento che non può essere riprodotto neppure parzialmente senza la sua autorizzazione scritta. Ansaldo Energia s.p.a. reserves all rights on this document that cannot be reproduced in any part without its written authorization.		Last Review: 1	