

COMMITTENTE:



DIREZIONE LAVORI:



APPALTATORE:

MANDATARIA:



MANDANTE:



PROGETTAZIONE:

MANDATARIA:



MANDANTI:



PROGETTO ESECUTIVO

**LINEA FERROVIARIA NAPOLI - BARI, TRATTA NAPOLI-CANCELLO,
IN VARIANTE TRA LE PK 0+000 E PK 15+585, INCLUSE LE OPERE ACCESSORIE,
NELL'AMBITO DEGLI INTERVENTI DI CUI AL D.L. 133/2014, CONVERTITO IN LEGGE 164 / 2014**

RILEVATI

RI02 - RILEVATO DAL KM 5+288.38 AL KM 6+653.40

Sezioni trasversali

| | |
|-------------------------------------|--|
| APPALTATORE | PROGETTAZIONE |
| DIRETTORE TECNICO Ing. M. PANISI | DIRETTORE DELLA PROGETTAZIONE Ing. A. CHECCHI |

| | | | | | | | | |
|----------|-------|------|------|-----------|------------------|--------|------|--------|
| COMMESSA | LOTTO | FASE | ENTE | TIPO DOC. | OPERA/DISCIPLINA | PROGR. | REV. | SCALA: |
| IF1M | 00 | E | ZZ | W9 | RI0200 | 001 | C | 1:200 |

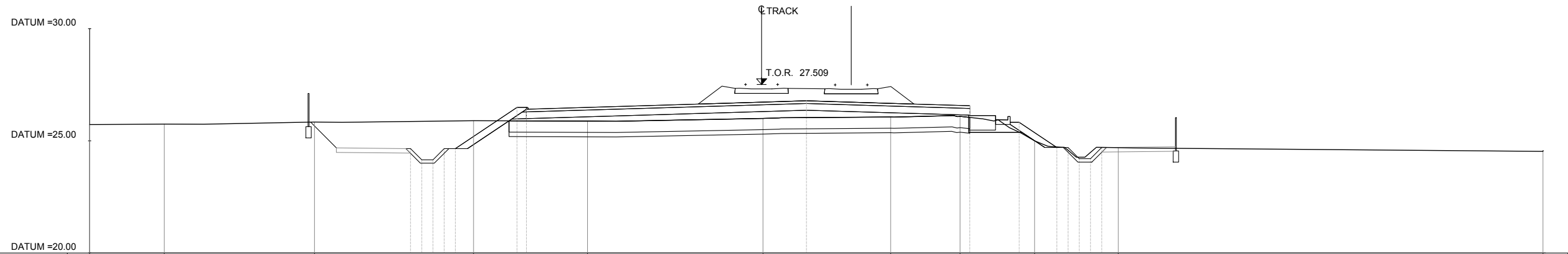
| Rev. | Descrizione | Redatto | Data | Verificato | Data | Approvato | Data | Autorizzato Data |
|------|-------------------|-----------|------------|------------|------------|-----------|------------|------------------|
| A | EMISSIONE | FRANCHINI | 14/06/2018 | CERAUDO | 15/06/2018 | PIAZZA | 15/06/2018 | LACOPO |
| B | EMISSIONE PER RDV | FRANCHINI | 10/09/18 | CERAUDO | 11/09/18 | PIAZZA | 11/09/18 | |
| | | | | | | | | 12/09/18 |

File:IF1M.0.0.E.ZZ.W9.RI.02.0.0.001.C.DWG

n. Elab.:

| AREA | |
|------------------|-------|
| Scavo: | 11.90 |
| Rilevato: | 14.78 |
| SubBallast: | 2.39 |
| Ballast: | 4.32 |
| Inerbimento: | 1.59 |
| SuperCompattato: | 6.07 |
| Stradello: | 1.27 |
| Anticapillare: | 12.71 |
| Scotico: | 10.29 |
| Bonifica: | 4.12 |

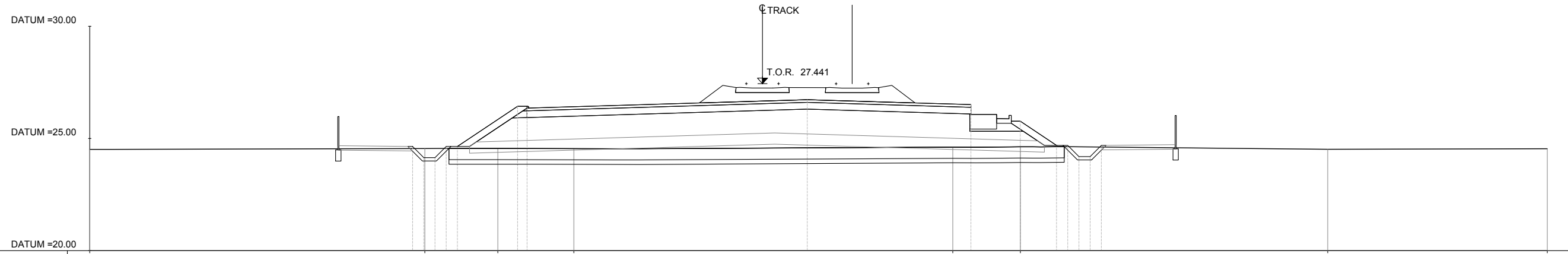
PROG 05+291.50
SEZ. RI02_1



| | | | | | | | | | | | |
|----------------------------|--------|--------|--------|--|------------------|-------|-------|-------|-------|---|-------|
| QUOTE TERRENO | 25.73 | 25.74 | 25.84 | 25.90 | 25.88 | 26.00 | 26.06 | 26.09 | 25.00 | 24.70 | 24.53 |
| DIST. PROGRESSIVE TERRENO | -30.00 | -26.67 | -19.96 | -12.86 | -7.77 | 0.06 | 5.76 | 8.86 | 12.19 | 15.93 | 34.89 |
| QUOTE PROGETTO | | | | 24.65 24.15 24.15 24.65 | 26.49 26.41 | 26.78 | | 26.57 | 25.82 | 24.70 24.70 24.20 24.20 24.70 | |
| DIST. PROGRESSIVE PROGETTO | | | | -15.67 -15.17 -14.67 -14.17 -13.67 | -10.92 -10.50 | 2.00 | | 9.29 | 11.50 | 13.18 13.68 14.18 14.68 15.18 | |
| DISTANZA BINARI | | | | | | 0.00 | 4.00 | | | | |

| AREA | |
|------------------|-------|
| Scavo: | 1.95 |
| Rilevato: | 49.33 |
| SubBallast: | 2.39 |
| Ballast: | 4.25 |
| Inerbimento: | 1.54 |
| SuperCompattato: | 6.07 |
| Stradello: | 1.27 |
| Anticapillare: | 12.65 |
| Scotico: | 13.72 |
| Bonifica: | 5.49 |

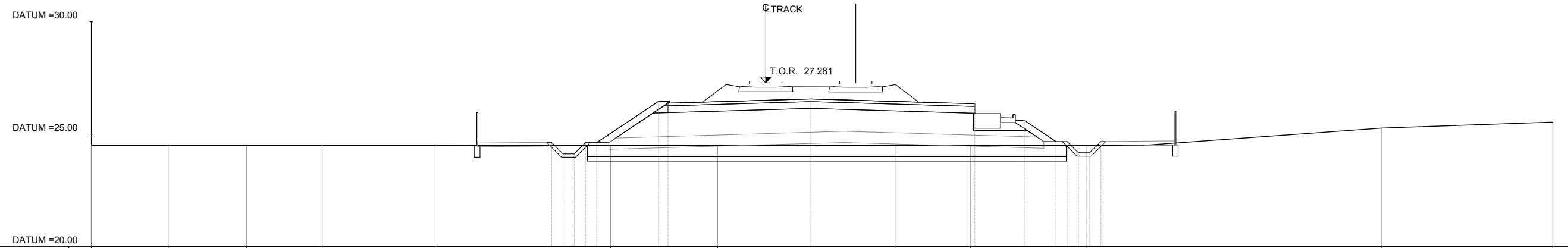
PROG 05+300.00
SEZ. RI02_2



| | | | | | | | | | | | |
|----------------------------|--------|--------|--------|--------|--------|--------|-------|--------|--------|-------|-------|
| QUOTE TERRENO | 24.51 | | 24.55 | 24.55 | 24.55 | | 24.61 | 24.63 | | 24.52 | 24.54 |
| DIST. PROGRESSIVE TERRENO | -30.00 | | -15.06 | -11.80 | -8.41 | | 8.49 | 11.50 | | 25.21 | 35.00 |
| QUOTE PROGETTO | | 24.65 | 24.15 | 24.15 | 24.65 | | 26.73 | 26.51 | 25.77 | 24.69 | 24.69 |
| DIST. PROGRESSIVE PROGETTO | | -15.60 | -15.10 | -14.60 | -14.10 | -13.60 | | -10.92 | -10.50 | | 2.00 |
| DISTANZA BINARI | | | | | | | 0.00 | 4.00 | | | |

| AREA | |
|------------------|-------|
| Scavo: | 1.45 |
| Rilevato: | 36.76 |
| SubBallast: | 1.65 |
| Ballast: | 4.25 |
| Inerbimento: | 1.49 |
| SuperCompattato: | 4.22 |
| Stradello: | 1.27 |
| Anticapillare: | 9.53 |
| Scotico: | 10.65 |
| Bonifica: | 4.26 |

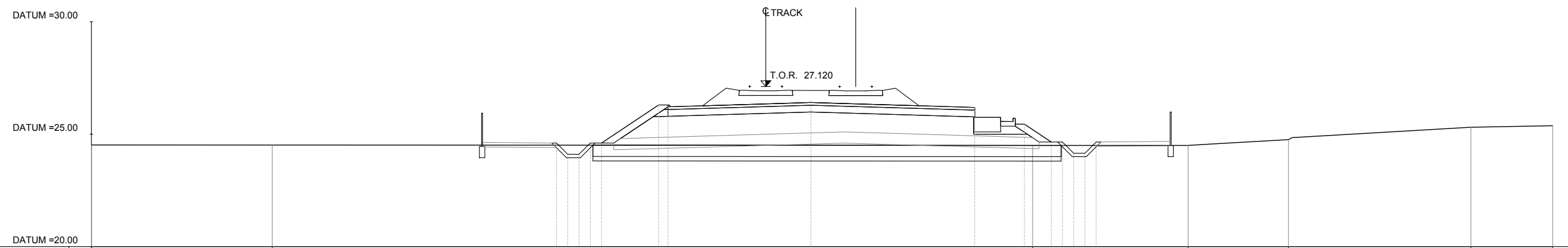
PROG 05+320.00
SEZ. RI02_3



| | | | | | | | | | | | | | | | | | | | | |
|----------------------------|--------|--------|--------|--------|--------|-------|-------|-------|-------|-------|-------|-------|-------|-------|-------|-------|-------|-------|-------|-------|
| QUOTE TERRENO | 24.51 | 24.51 | 24.51 | 24.50 | 24.50 | 24.50 | 24.50 | 24.50 | 24.50 | 24.50 | 24.50 | 24.50 | 24.50 | 25.27 | 25.54 | | | | | |
| DIST. PROGRESSIVE TERRENO | -30.00 | -26.58 | -23.09 | -19.73 | -14.71 | -6.91 | -2.15 | 5.75 | 9.11 | 14.25 | 27.40 | 35.00 | | | | | | | | |
| QUOTE PROGETTO | | | | | | 24.62 | 24.12 | 24.13 | 24.62 | 26.46 | 26.38 | 26.57 | 26.35 | 25.61 | 24.67 | 24.67 | 24.17 | 24.67 | | |
| DIST. PROGRESSIVE PROGETTO | | | | | | -9.52 | -9.02 | -8.52 | -8.02 | -7.52 | -4.77 | -4.35 | 2.00 | 9.29 | 11.50 | 12.90 | 13.40 | 13.90 | 14.40 | 14.90 |
| DISTANZA BINARI | | | | | | | | | | | | 0.00 | 4.00 | | | | | | | |

| AREA | |
|------------------|-------|
| Scavo: | 1.61 |
| Rilevato: | 32.81 |
| SubBallast: | 1.65 |
| Ballast: | 4.25 |
| Inerbimento: | 1.34 |
| SuperCompattato: | 4.22 |
| Stradello: | 1.27 |
| Anticapillare: | 9.32 |
| Scotico: | 10.41 |
| Bonifica: | 4.17 |

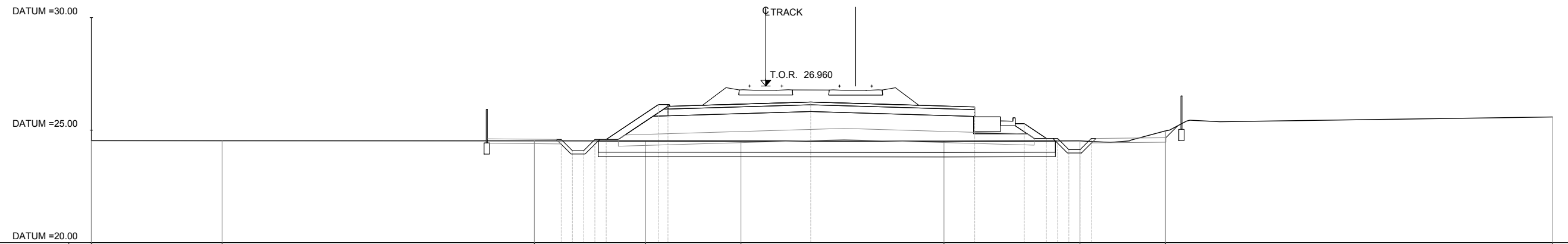
PROG 05+340.00
SEZ. RI02_4



| | | | | | | | | | | |
|----------------------------|--------|--------|---|----------------|-------|-------|--|-------------------------|-------|-------|
| QUOTE TERRENO | 24.52 | 24.52 | | | | 24.50 | 24.50 | 24.76 | 25.31 | 25.37 |
| DIST. PROGRESSIVE TERRENO | -30.00 | -21.95 | | | | 11.86 | 18.78 | 23.25 | 31.36 | 35.00 |
| QUOTE PROGETTO | | | 24.60 24.10 24.10 24.60 24.60 | 26.30 26.22 | 26.41 | 26.19 | 25.45 24.65 24.65 | 24.15 24.15 24.65 | | |
| DIST. PROGRESSIVE PROGETTO | | | -9.31 -8.81 -8.31 -7.81 -7.31 | -4.77 -4.35 | 2.00 | 9.29 | 11.50 12.69 13.19 13.69 14.19 14.69 | | | |
| DISTANZA BINARI | | | | | -0.00 | 4.00 | | | | |

| AREA | |
|------------------|-------|
| Scavo: | 2.33 |
| Rilevato: | 29.32 |
| SubBallast: | 1.65 |
| Ballast: | 4.25 |
| Inerbimento: | 1.18 |
| SuperCompattato: | 4.22 |
| Stradello: | 1.27 |
| Anticapillare: | 9.11 |
| Scotico: | 10.17 |
| Bonifica: | 4.07 |

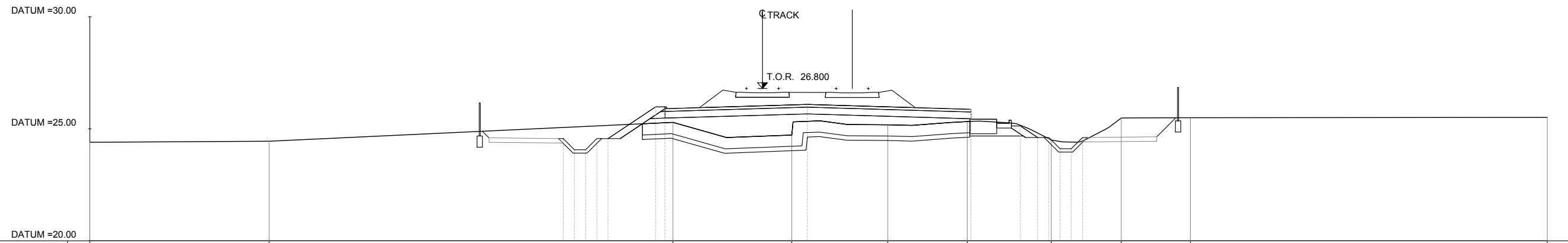
PROG 05+360.00
SEZ. RI02_5



| | | | | | | | | | |
|----------------------------|--------|--------|---|----------------|-------|-------|---|-------|-------|
| QUOTE TERRENO | 24.53 | 24.53 | 24.52 | 24.52 | 24.51 | 24.51 | 24.52 | 24.97 | 25.58 |
| DIST. PROGRESSIVE TERRENO | -30.00 | -24.18 | -10.29 | -6.35 | -1.10 | 7.93 | 13.98 | 17.78 | 35.00 |
| QUOTE PROGETTO | | | 24.59 24.09 24.08 24.58 24.58 | 26.14 26.06 | | 26.25 | 26.03 25.29 24.63 24.63 24.13 24.13 24.63 | | |
| DIST. PROGRESSIVE PROGETTO | | | -9.10 -8.60 -8.10 -7.60 -7.10 | -4.77 -4.35 | | 2.00 | 9.29 11.50 12.48 12.98 13.48 13.98 14.48 | | |
| DISTANZA BINARI | | | | | 0.00 | 4.00 | | | |

| AREA | |
|------------------|-------|
| Scavo: | 9.23 |
| Rilevato: | 14.59 |
| SubBallast: | 1.65 |
| Ballast: | 4.26 |
| Inerbimento: | 1.03 |
| SuperCompattato: | 4.22 |
| Stradello: | 1.27 |
| Anticapillare: | 8.90 |
| Scotico: | 7.63 |
| Bonifica: | 3.05 |

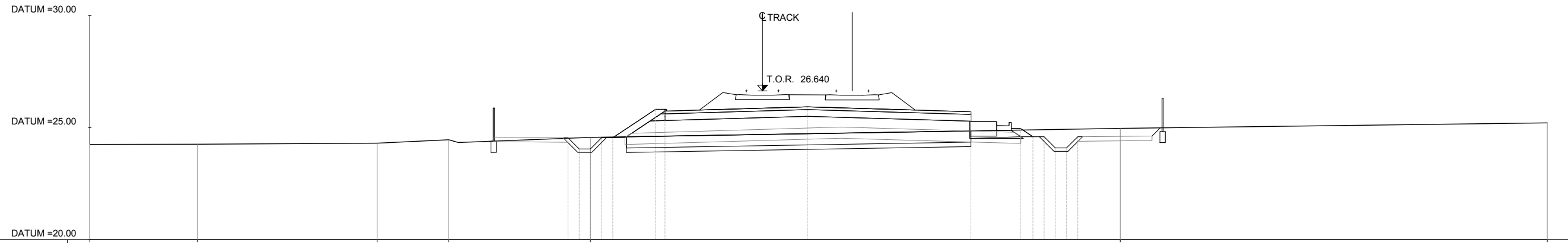
PROG 05+380.00
SEZ. RI02_6



| | | | | | | | | | | |
|----------------------------|--------|--------|---|-------|-------|--|----------------|-------|-------|-------|
| QUOTE TERRENO | 24.40 | 24.44 | 25.29 | 24.72 | 25.18 | 25.32 | 24.50 | 25.48 | 25.49 | 25.51 |
| DIST. PROGRESSIVE TERRENO | -30.00 | -22.00 | -4.00 | 1.30 | 5.59 | 9.13 | 12.88 | 16.00 | 19.08 | 35.00 |
| QUOTE PROGETTO | | | 24.56 24.06 | 26.09 | 25.87 | 25.13 24.61 | 24.11 24.61 | | | |
| DIST. PROGRESSIVE PROGETTO | | | -8.89 -8.39 -7.89 -7.39 -6.89 | 2.00 | 9.29 | 11.50 12.27 12.77 13.27 13.77 14.27 | | | | |
| DISTANZA BINARI | | | | -0.00 | 4.00 | | | | | |

| AREA | |
|------------------|-------|
| Scavo: | 5.06 |
| Rilevato: | 17.57 |
| SubBallast: | 1.65 |
| Ballast: | 4.26 |
| Inerbimento: | 0.88 |
| SuperCompattato: | 4.23 |
| Stradello: | 1.27 |
| Anticapillare: | 8.69 |
| Scotico: | 7.68 |
| Bonifica: | 3.07 |

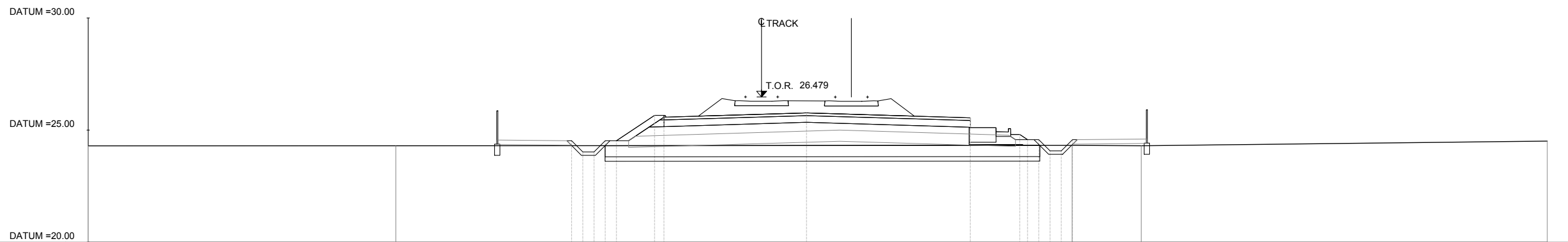
PROG 05+400.00
SEZ. RI02_7



| | | | | | | | | |
|----------------------------|--------|--------|--------|--------|---|----------------|-------|---|
| QUOTE TERRENO | 24.25 | 24.26 | 24.31 | 24.46 | 24.56 | | 24.97 | 25.21 |
| DIST. PROGRESSIVE TERRENO | -30.00 | -25.21 | -17.18 | -13.99 | -7.68 | | 15.95 | 35.00 |
| QUOTE PROGETTO | | | | | 24.55 24.04 24.04 24.55 24.55 | 25.82 25.74 | 25.93 | 25.71 24.97 24.59 24.59 24.09 24.09 24.59 |
| DIST. PROGRESSIVE PROGETTO | | | | | -8.68 -8.18 -7.68 -7.18 -6.68 | -4.77 -4.35 | 2.00 | 9.29 11.50 12.06 12.56 13.06 13.56 14.06 |
| DISTANZA BINARI | | | | | | | -0.00 | 4.00 |

| AREA | |
|------------------|-------|
| Scavo: | 0.86 |
| Rilevato: | 28.05 |
| SubBallast: | 1.65 |
| Ballast: | 4.26 |
| Inerbimento: | 0.73 |
| SuperCompattato: | 4.22 |
| Stradello: | 1.27 |
| Anticapillare: | 8.48 |
| Scotico: | 13.02 |
| Bonifica: | 5.21 |

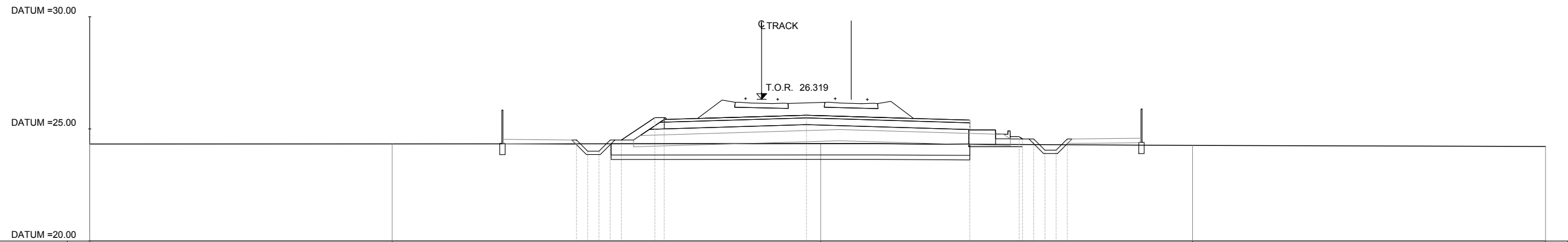
PROG 05+420.00
SEZ. RI02_8



| | | | | | | | | | | | | | | | | | | | |
|----------------------------|--------|--------|-------|-------|-------|-------|-------|-------|-------|-------|-------|-------|-------|-------|-------|-------|-------|-------|--|
| QUOTE TERRENO | 24.30 | 24.30 | 24.30 | 24.30 | 24.30 | 24.30 | 24.30 | 24.30 | 24.30 | 24.30 | 24.51 | | | | | | | | |
| DIST. PROGRESSIVE TERRENO | -30.00 | -16.29 | | | | | | | 13.83 | 16.91 | 35.00 | | | | | | | | |
| QUOTE PROGETTO | | | | 24.52 | 24.02 | 24.03 | 24.53 | 24.52 | | 25.65 | 25.57 | 25.77 | 25.55 | 24.81 | 24.57 | 24.07 | 24.57 | | |
| DIST. PROGRESSIVE PROGETTO | | | | -8.47 | -7.97 | -7.47 | -6.97 | -6.47 | | -4.77 | -4.35 | 2.00 | 9.29 | 11.86 | 12.35 | 12.85 | 13.35 | 13.85 | |
| DISTANZA BINARI | | | | | | | | | | | | -0.00 | 4.00 | | | | | | |

| AREA | |
|------------------|-------|
| Scavo: | 0.98 |
| Rilevato: | 22.34 |
| SubBallast: | 1.65 |
| Ballast: | 4.36 |
| Inerbimento: | 0.58 |
| SuperCompattato: | 4.22 |
| Stradello: | 1.27 |
| Anticapillare: | 8.28 |
| Scotico: | 10.56 |
| Bonifica: | 4.22 |

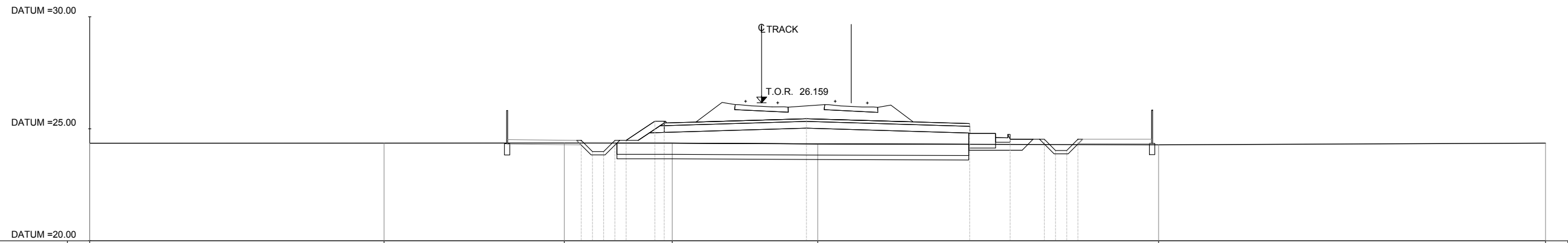
PROG 05+440.00
SEZ. RI02_9



| | | | | | |
|----------------------------|--------|--------|-------|-------|-------|
| QUOTE TERRENO | 24.33 | 24.33 | 24.34 | 24.27 | 24.22 |
| DIST. PROGRESSIVE TERRENO | -30.00 | -16.49 | 2.64 | 19.24 | 35.00 |
| QUOTE PROGETTO | | | 25.61 | 25.39 | 24.65 |
| DIST. PROGRESSIVE PROGETTO | | | 2.00 | 9.29 | 11.69 |
| DISTANZA BINARI | | | -0.00 | 4.00 | |

| AREA | |
|------------------|-------|
| Scavo: | 1.90 |
| Rilevato: | 18.83 |
| SubBallast: | 1.65 |
| Ballast: | 4.55 |
| Inerbimento: | 0.46 |
| SuperCompattato: | 4.22 |
| Stradello: | 1.28 |
| Anticapillare: | 0.00 |
| Scotico: | 9.90 |
| Bonifica: | 3.96 |

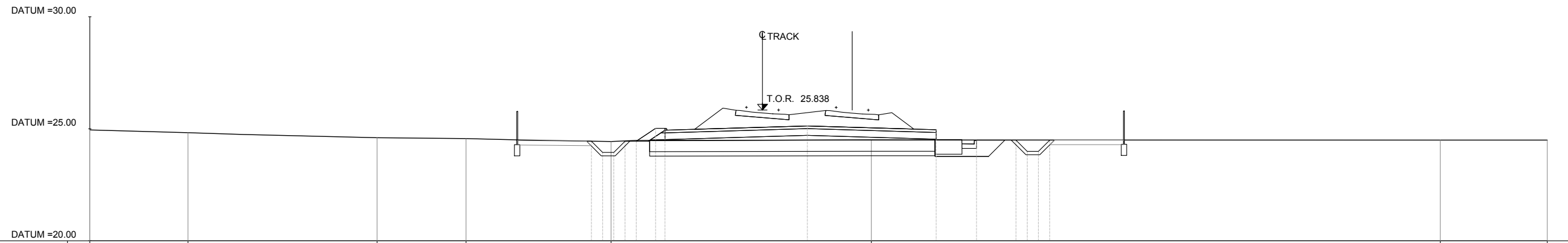
PROG 05+460.00
SEZ. RI02_10



| | | | | | | | |
|----------------------------|--------|--------|---|----------------|-------|----------------|----------------------------------|
| QUOTE TERRENO | 24.36 | 24.36 | 24.36 | 24.36 | 24.33 | 24.28 | 24.36 |
| DIST. PROGRESSIVE TERRENO | -30.00 | -16.86 | -8.81 | -4.00 | 2.50 | 17.72 | 35.00 |
| QUOTE PROGETTO | | | 24.49 23.99 23.99 24.49 24.49 | 25.34 25.26 | 25.45 | 25.23 24.53 | 24.53 24.03 24.03 24.53 |
| DIST. PROGRESSIVE PROGETTO | | | -8.05 -7.55 -7.05 -6.55 -6.05 | -4.77 -4.35 | 2.00 | 9.29 11.09 | 12.62 13.12 13.62 14.12 |
| DISTANZA BINARI | | | | | 0.00 | 4.00 | |

| AREA | |
|------------------|------|
| Scavo: | 5.05 |
| Rilevato: | 7.90 |
| SubBallast: | 1.46 |
| Ballast: | 4.81 |
| Inerbimento: | 0.31 |
| SuperCompattato: | 3.76 |
| Stradello: | 1.28 |
| Anticapillare: | 0.00 |
| Scotico: | 6.37 |
| Bonifica: | 2.55 |

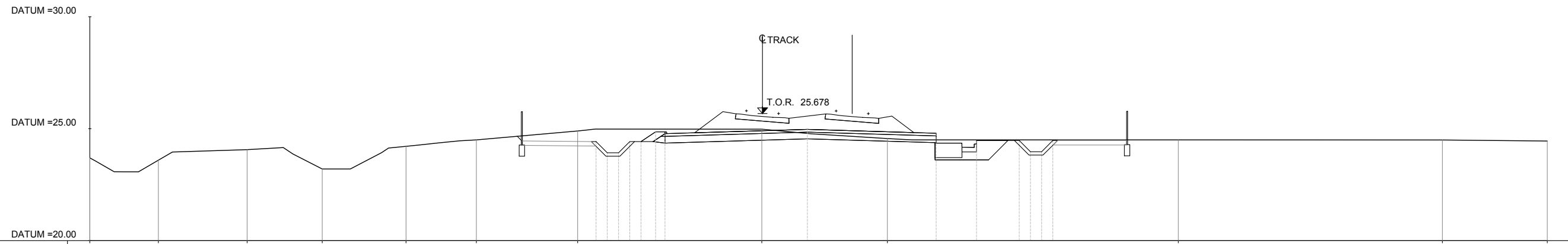
PROG 05+500.00
SEZ. RI02_12



| | | | | | | | | |
|----------------------------|--------|--------|--------|--------|---|-------|----------------|----------------------------------|
| QUOTE TERRENO | 24.95 | 24.83 | 24.60 | 24.56 | 24.43 | 24.50 | 24.49 | 24.49 |
| DIST. PROGRESSIVE TERRENO | -30.00 | -25.62 | -17.19 | -13.22 | -6.75 | 4.85 | 30.23 | 35.00 |
| QUOTE PROGETTO | | | | | 24.44 23.94 23.94 24.44 24.44 | 25.13 | 24.96 24.49 | 24.49 23.99 23.99 24.49 |
| DIST. PROGRESSIVE PROGETTO | | | | | -7.63 -7.13 -6.63 -6.13 -5.63 | 2.00 | 7.74 9.55 | 11.31 11.81 12.31 12.81 |
| DISTANZA BINARI | | | | | | -0.00 | 4.00 | |

| AREA | |
|------------------|-------|
| Scavo: | 12.65 |
| Rilevato: | 0.00 |
| SubBallast: | 1.46 |
| Ballast: | 4.81 |
| Inerbimento: | 0.23 |
| SuperCompattato: | 3.73 |
| Stradello: | 1.28 |
| Anticappare: | 0.00 |
| Scotico: | 0.00 |
| Bonifica: | 0.00 |

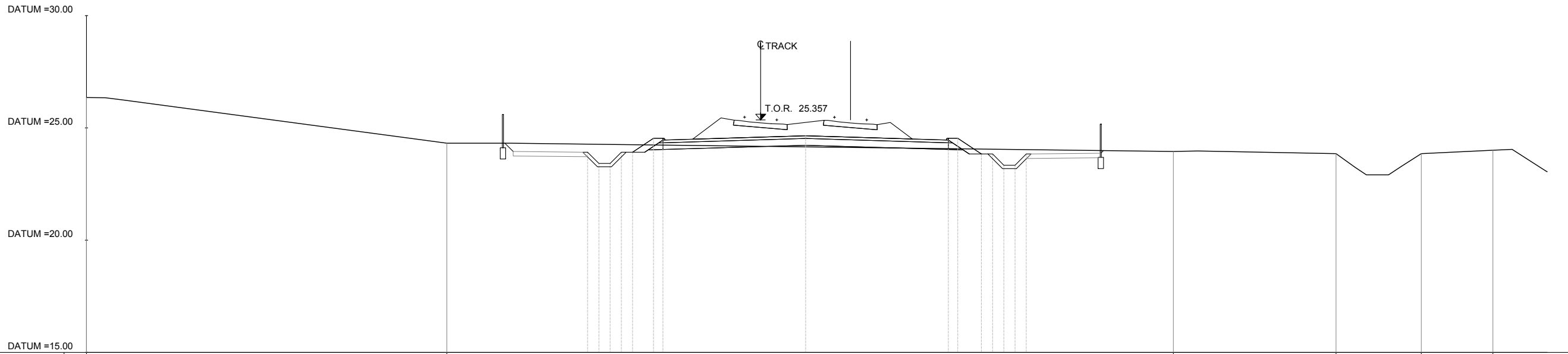
PROG 05+520.00
SEZ. RI01_13



| | | | | | | | | | | | | |
|----------------------------|--------|--------|--------|--------|--------|--------|--|-------|----------------|----------------------------------|----------------------------------|-------|
| QUOTE TERRENO | 23.70 | 23.60 | 24.06 | 23.20 | 24.21 | 24.50 | 24.90 | 24.98 | 24.56 | 24.50 | 24.50 | 24.45 |
| DIST. PROGRESSIVE TERRENO | -30.00 | -26.94 | -22.98 | -19.64 | -15.90 | -12.76 | -8.24 | -0.03 | 5.57 | 18.54 | 30.32 | 35.00 |
| QUOTE PROGETTO | | | | | | | 24.42 23.92 23.92 24.42 24.42 24.77 24.86 24.78 | 24.97 | 24.80 24.47 | 24.47 23.97 23.97 24.47 | | |
| DIST. PROGRESSIVE PROGETTO | | | | | | | -7.42 -6.92 -6.42 -5.92 -5.42 -4.77 -4.35 | 2.00 | 7.74 | 9.55 | 11.45 11.95 12.45 12.95 | |
| DISTANZA BINARI | | | | | | | | -0.00 | 4.00 | | | |

| AREA | |
|------------------|------|
| Scavo: | 6.90 |
| Rilevato: | 3.14 |
| SubBallast: | 1.55 |
| Ballast: | 4.82 |
| Inerbimento: | 0.70 |
| SuperCompattato: | 4.07 |
| Stradello: | 1.27 |
| Anticapillare: | 0.00 |
| Scotico: | 0.00 |
| Bonifica: | 0.00 |

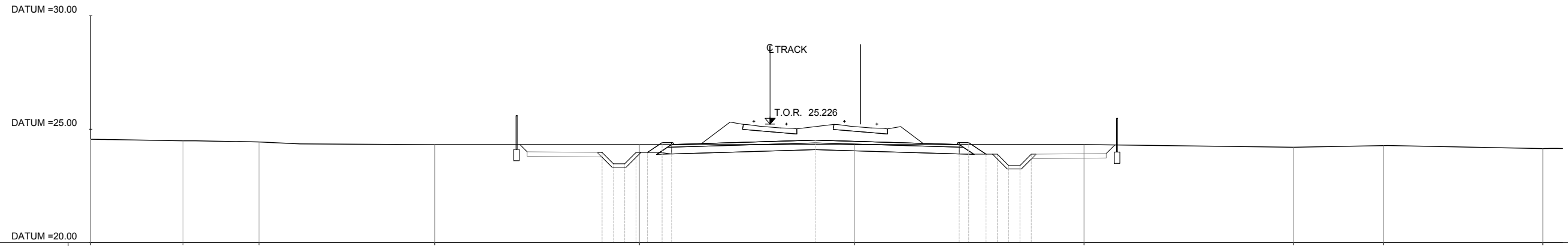
PROG 05+560.00
SEZ. RI01_15



| | | | | | | | | | | | | | |
|----------------------------|--------|--------|--|-------|-------|-------|-------|-------|-------|------|-------|-------|-------|
| QUOTE TERRENO | 26.35 | 24.32 | | | | | | | 23.95 | | 23.85 | 23.85 | 24.00 |
| DIST. PROGRESSIVE TERRENO | -30.00 | -13.97 | | | | | | | 18.36 | | 25.60 | 29.40 | 32.58 |
| QUOTE PROGETTO | | | | 23.92 | 23.42 | 23.42 | 23.92 | 24.54 | 24.46 | | 23.84 | 23.84 | 23.84 |
| DIST. PROGRESSIVE PROGETTO | | | | -7.70 | -7.20 | -6.70 | -6.20 | -4.77 | 8.35 | 8.77 | 9.82 | 10.32 | 11.82 |
| DISTANZA BINARI | | | | | | | | 2.00 | | 4.00 | | | |

| AREA | |
|------------------|-------|
| Scavo: | 12.02 |
| Rilevato: | 0.00 |
| SubBallast: | 1.55 |
| Ballast: | 4.83 |
| Inerbimento: | 0.50 |
| SuperCompattato: | 4.06 |
| Stradello: | 1.27 |
| Anticapillare: | 0.00 |
| Scotico: | 0.00 |
| Bonifica: | 0.00 |

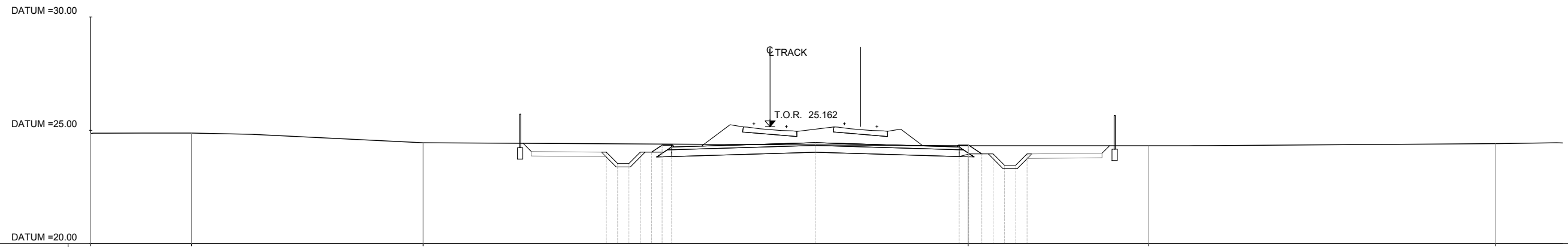
PROG 05+580.00
SEZ. RI02_16



| | | | | | | | | | | | |
|----------------------------|--------|--------|--------|--------|---|-------|-------|---|-------|-------|-------|
| QUOTE TERRENO | 24.56 | 24.49 | 24.44 | 24.32 | 24.32 | 24.32 | 24.32 | 24.32 | 24.20 | 24.28 | 24.14 |
| DIST. PROGRESSIVE TERRENO | -30.00 | -25.93 | -22.57 | -14.81 | -5.77 | 3.72 | 13.86 | 23.12 | 27.10 | 34.12 | |
| QUOTE PROGETTO | | | | | 23.98 23.47 23.47 23.98 23.97 24.41 24.33 | 24.52 | | 24.33 24.41 23.90 23.90 23.40 23.40 23.90 | | | |
| DIST. PROGRESSIVE PROGETTO | | | | | -7.42 -6.92 -6.42 -5.92 -5.42 -4.77 -4.35 | 2.00 | | 8.35 8.77 9.53 10.03 10.53 11.03 11.53 | | | |
| DISTANZA BINARI | | | | | | -0.00 | | 4.00 | | | |

| AREA | |
|------------------|-------|
| Scavo: | 13.06 |
| Rilevato: | 0.00 |
| SubBallast: | 1.55 |
| Ballast: | 4.84 |
| Inerbimento: | 0.37 |
| SuperCompattato: | 4.07 |
| Stradello: | 1.27 |
| Anticapillare: | 0.00 |
| Scotico: | 0.00 |
| Bonifica: | 0.00 |

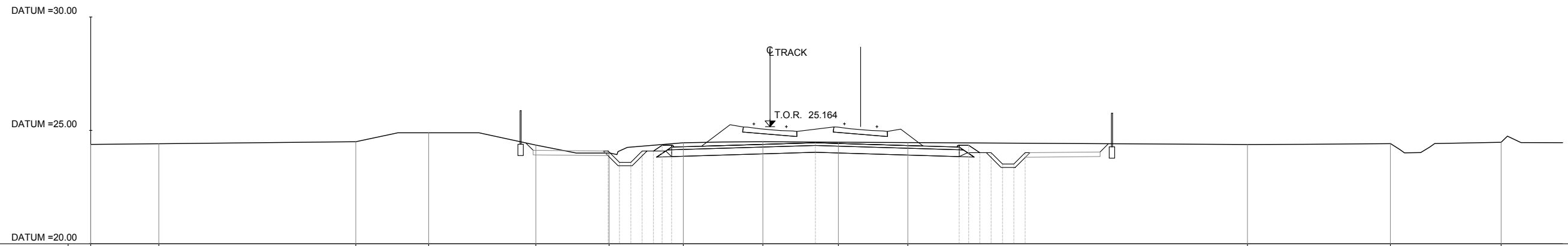
PROG 05+600.00
SEZ. RI02_17



| | | | | | | |
|----------------------------|--------|--------|--------|-------|-------|-------|
| QUOTE TERRENO | 24.86 | 24.88 | 24.45 | 24.32 | 24.32 | 24.41 |
| DIST. PROGRESSIVE TERRENO | -30.00 | -25.55 | -15.32 | 8.75 | 16.72 | 32.04 |
| QUOTE PROGETTO | | | | 24.45 | 24.26 | 24.34 |
| DIST. PROGRESSIVE PROGETTO | | | | 2.00 | 8.35 | 8.77 |
| DISTANZA BINARI | | | | 0.00 | 4.00 | |

| AREA | |
|------------------|-------|
| Scavo: | 13.04 |
| Rilevato: | 0.00 |
| SubBallast: | 1.54 |
| Ballast: | 4.84 |
| Inerbimento: | 0.31 |
| SuperCompattato: | 4.07 |
| Stradello: | 1.27 |
| Anticapillare: | 0.00 |
| Scotico: | 0.00 |
| Bonifica: | 0.00 |

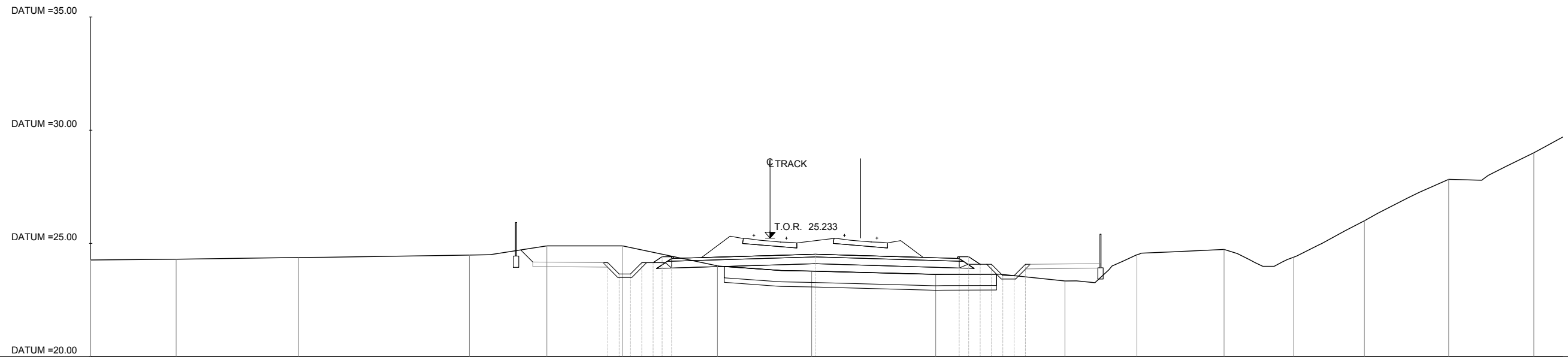
PROG 05+620.00
SEZ. RI02_18



| | | | | | | | | | | | | | |
|----------------------------|--------|--------|--------|--------|--------|-------|-------|-------|-------|-------|-------|-------|-------|
| QUOTE TERRENO | -30.00 | -26.99 | -18.29 | -15.08 | -10.34 | -7.11 | -3.83 | -0.32 | 3.02 | 6.08 | 21.08 | 27.39 | 32.28 |
| DIST. PROGRESSIVE TERRENO | 24.38 | 24.41 | 24.50 | 24.89 | 24.35 | 24.00 | 24.45 | 24.50 | 24.48 | 24.46 | 24.38 | 24.42 | 24.48 |
| QUOTE PROGETTO | | | | | | 24.09 | 24.26 | 24.45 | | | 24.26 | | |
| DIST. PROGRESSIVE PROGETTO | | | | | | -7.15 | 8.35 | 2.00 | | | 8.77 | | |
| DISTANZA BINARI | | | | | | -6.65 | 9.26 | | | | 9.76 | | |
| | | | | | | -6.15 | 10.26 | | | | 10.76 | | |
| | | | | | | -5.65 | 11.26 | | | | 11.76 | | |
| | | | | | | -5.15 | | | | | | | |
| | | | | | | -4.77 | | | | | | | |
| | | | | | | -4.35 | | | | | | | |

| AREA | |
|------------------|-------|
| Scavo: | 6.43 |
| Rilevato: | 12.91 |
| SubBallast: | 1.55 |
| Ballast: | 4.84 |
| Inerbimento: | 0.32 |
| SuperCompattato: | 4.07 |
| Stradello: | 1.27 |
| Anticapillare: | 0.00 |
| Scotico: | 7.86 |
| Bonifica: | 3.15 |

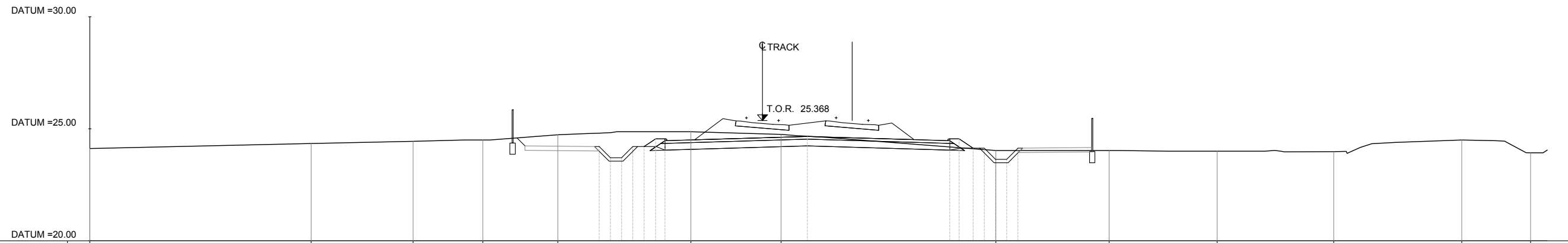
PROG 05+640.00
SEZ. RI02_19



| | | | | | | | | | | | | | | | | |
|----------------------------|--------|--------|--------|--------|-------|---|-------|-------|-------|---|-------|-------|-------|-------|-------|-------|
| QUOTE TERRENO | 24.27 | 24.30 | 24.38 | 24.49 | 24.89 | 24.89 | 24.01 | 23.78 | 23.63 | 23.34 | 24.50 | 24.73 | 24.39 | 26.00 | 27.83 | 29.00 |
| DIST. PROGRESSIVE TERRENO | -30.00 | -26.23 | -20.83 | -13.28 | -9.86 | -6.51 | -2.33 | 1.83 | 7.31 | 13.02 | 16.20 | 20.05 | 23.12 | 26.24 | 29.97 | 33.73 |
| QUOTE PROGETTO | | | | | | 24.15 23.65 23.65 24.15 24.15 24.41 24.33 | | 24.52 | | 24.33 24.41 24.08 24.08 23.58 24.08 | | | | | | |
| DIST. PROGRESSIVE PROGETTO | | | | | | -7.17 -6.67 -6.17 -5.67 -5.17 -4.77 -4.35 | | 2.00 | | 8.35 8.77 9.28 9.78 10.28 10.78 11.28 | | | | | | |
| DISTANZA BINARI | | | | | | | | -0.00 | | 4.00 | | | | | | |

| AREA | |
|------------------|-------|
| Scavo: | 12.24 |
| Rilevato: | 0.00 |
| SubBallast: | 1.55 |
| Ballast: | 4.84 |
| Inerbimento: | 0.40 |
| SuperCompattato: | 4.06 |
| Stradello: | 1.27 |
| Anticapillare: | 0.00 |
| Scotico: | 0.00 |
| Bonifica: | 0.00 |

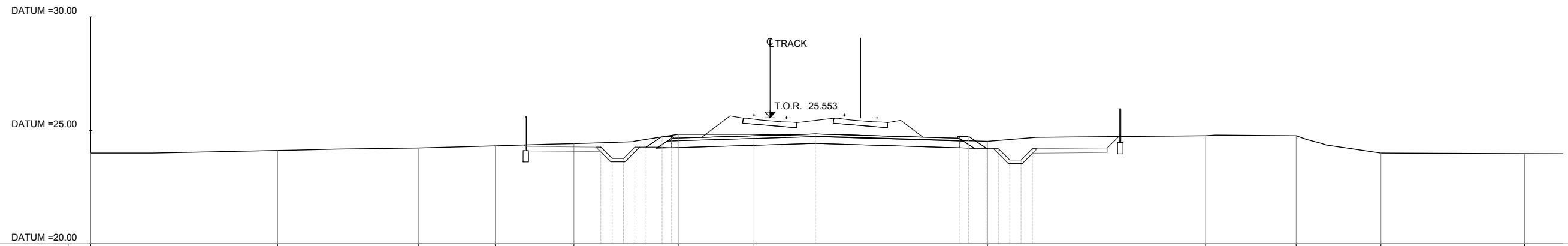
PROG 05+660.00
SEZ. RI02_20



| | | | | | | | | | | | | | |
|----------------------------|--------|--------|--------|--------|-------|-------|-------|-------|-------|-------|-------|-------|-------|
| QUOTE TERRENO | 24.12 | 24.34 | 24.44 | 24.50 | 24.73 | 24.87 | 24.75 | 24.03 | 24.03 | 24.00 | 23.98 | 24.50 | 23.93 |
| DIST. PROGRESSIVE TERRENO | -30.00 | -20.13 | -15.58 | -12.47 | -9.13 | -3.19 | 0.83 | 10.41 | 15.46 | 20.28 | 25.48 | 31.19 | 34.25 |
| QUOTE PROGETTO | | | | | | | 24.66 | 24.47 | 24.55 | 24.14 | 24.14 | 23.63 | 23.64 |
| DIST. PROGRESSIVE PROGETTO | | | | | | | 2.00 | 8.35 | 8.77 | 9.39 | 9.89 | 10.39 | 10.89 |
| DISTANZA BINARI | | | | | | | 0.00 | 4.00 | | | | | |

| AREA | |
|------------------|-------|
| Scavo: | 12.40 |
| Rilevato: | 0.00 |
| SubBallast: | 1.55 |
| Ballast: | 4.84 |
| Inerbimento: | 0.54 |
| SuperCompattato: | 4.06 |
| Stradello: | 1.27 |
| Anticapillare: | 0.00 |
| Scotico: | 0.00 |
| Bonifica: | 0.00 |

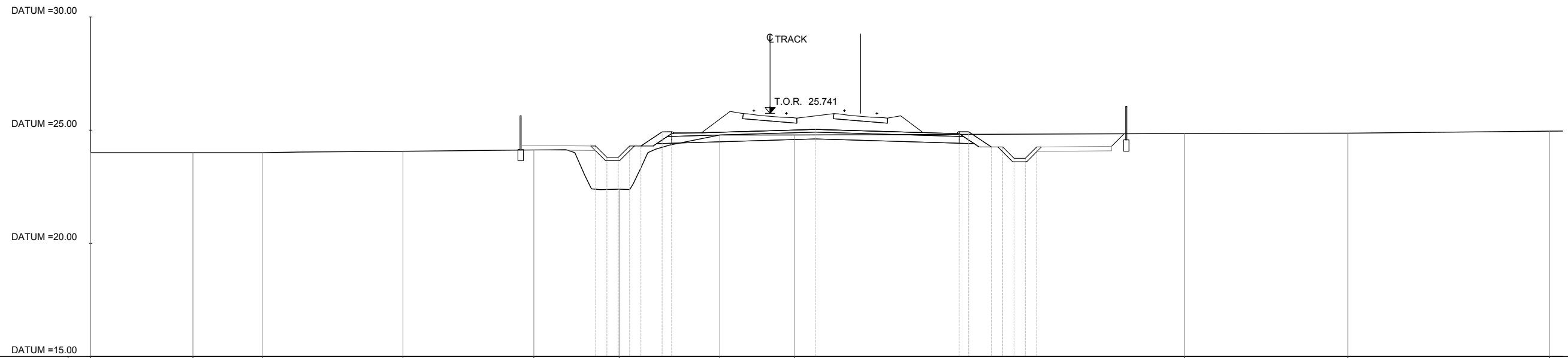
PROG 05+680.00
SEZ. RI02_21



| | | | | | | | | | | | | |
|----------------------------|--------|--------|--------|--------|---|-------|-------|---|-------|-------|-------|-------|
| QUOTE TERRENO | 24.00 | 24.11 | 24.23 | 24.32 | 24.41 | 24.83 | 24.83 | 24.52 | 24.76 | 24.76 | 24.00 | 23.98 |
| DIST. PROGRESSIVE TERRENO | -30.00 | -21.75 | -15.53 | -12.13 | -8.66 | -4.06 | -0.76 | 9.60 | 19.23 | 23.23 | 26.97 | 33.32 |
| QUOTE PROGETTO | | | | | 24.26 23.76 23.76 24.26 24.26 24.73 24.65 | | 24.84 | 24.65 24.73 24.19 24.19 23.69 23.69 24.19 | | | | |
| DIST. PROGRESSIVE PROGETTO | | | | | -7.47 -6.98 -6.47 -5.98 -5.48 -4.77 -4.35 | | 2.00 | 8.35 8.77 9.58 10.08 10.58 11.08 11.58 | | | | |
| DISTANZA BINARI | | | | | | | 0.00 | 4.00 | | | | |

| AREA | |
|------------------|------|
| Scavo: | 8.35 |
| Rilevato: | 7.76 |
| SubBallast: | 1.54 |
| Ballast: | 4.83 |
| Inerbimento: | 0.69 |
| SuperCompattato: | 4.07 |
| Stradello: | 1.27 |
| Anticapillare: | 0.00 |
| Scotico: | 0.00 |
| Bonifica: | 0.00 |

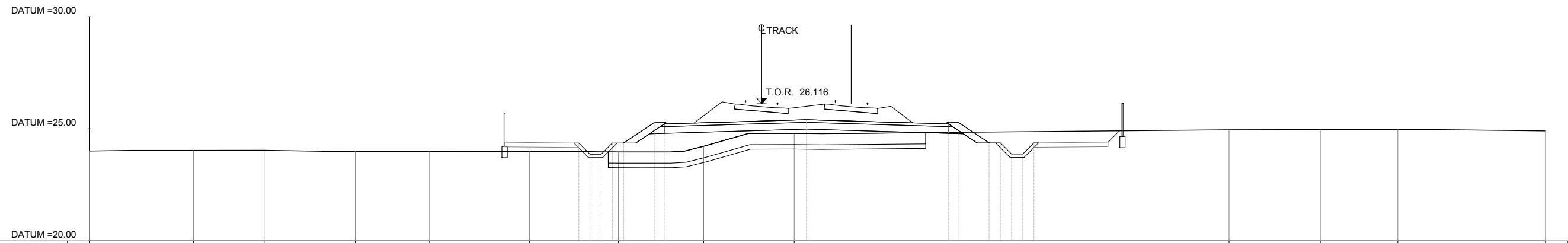
PROG 05+700.00
SEZ. RI02_22



| | | | | | | | | | | | |
|----------------------------|--------|--------|--------|--------|--------|---|----------------|-------|----------------|----------------------------------|-------|
| QUOTE TERRENO | 24.00 | 24.00 | 24.00 | 24.06 | 24.12 | 22.39 | 24.79 | 24.78 | 24.85 | 24.87 | 24.95 |
| DIST. PROGRESSIVE TERRENO | -30.00 | -25.49 | -22.42 | -16.21 | -10.43 | -6.66 | -2.22 | 1.07 | 18.29 | 25.52 | 34.42 |
| QUOTE PROGETTO | | | | | | 24.30 23.80 23.80 24.30 24.30 | 24.92 24.84 | 25.03 | 24.84 24.92 | 24.25 24.25 23.75 23.75 | 24.25 |
| DIST. PROGRESSIVE PROGETTO | | | | | | -7.71 -7.20 -6.70 -6.20 -5.70 | -4.77 -4.35 | 2.00 | 8.35 8.77 | 9.77 10.27 10.77 11.27 | 11.77 |
| DISTANZA BINARI | | | | | | | | -0.00 | 4.00 | | |

| AREA | |
|------------------|-------|
| Scavo: | 4.95 |
| Rilevato: | 13.91 |
| SubBallast: | 1.55 |
| Ballast: | 4.83 |
| Inerbimento: | 0.99 |
| SuperCompattato: | 4.06 |
| Stradello: | 1.27 |
| Anticapillare: | 7.49 |
| Scotico: | 8.88 |
| Bonifica: | 3.55 |

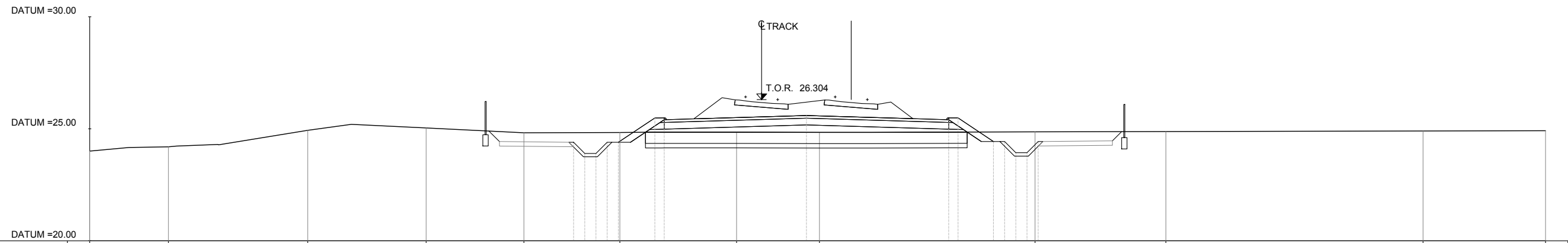
PROG 05+740.00
SEZ. RI02_24



| | | | | | | | | | | | | | |
|----------------------------|--------|--------|--------|--------|--------|--------|----------------|----------------|-------|-------|----------------|----------------|-------|
| QUOTE TERRENO | 24.01 | 24.04 | 24.04 | 23.99 | 23.99 | 23.99 | 23.97 | 24.22 | 24.80 | 24.96 | 24.96 | 24.97 | 24.91 |
| DIST. PROGRESSIVE TERRENO | -30.00 | -25.37 | -22.21 | -18.14 | -14.83 | -10.36 | -6.39 | -2.59 | 1.45 | 20.87 | 24.94 | 28.41 | 35.00 |
| QUOTE PROGETTO | | | | | | | 24.37 23.87 | 25.30 25.22 | 25.41 | | 25.22 25.30 | 24.37 23.87 | 24.37 |
| DIST. PROGRESSIVE PROGETTO | | | | | | | -8.17 -7.67 | -4.77 -4.35 | 2.00 | | 8.35 8.77 | 10.16 10.66 | 12.16 |
| DISTANZA BINARI | | | | | | | | | 0.00 | | | | 4.00 |

| AREA | |
|------------------|-------|
| Scavo: | 8.37 |
| Rilevato: | 10.34 |
| SubBallast: | 1.55 |
| Ballast: | 4.83 |
| Inerbimento: | 1.15 |
| SuperCompattato: | 4.07 |
| Stradello: | 1.27 |
| Anticapillare: | 7.70 |
| Scotico: | 7.18 |
| Bonifica: | 2.87 |

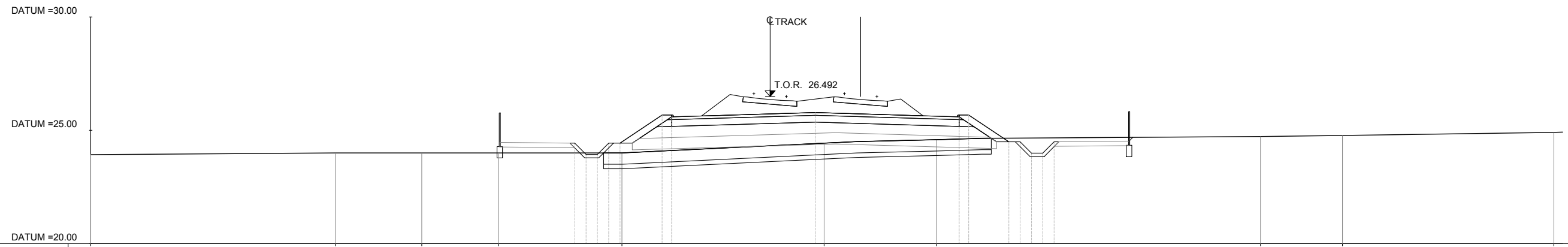
PROG 05+760.00
SEZ. RI02_25



| | | | | | | | | | | | | |
|----------------------------|--------|--------|--------|--------|--------|----------------------------------|----------------|-------|----------------|-------------------------|----------------|-------|
| QUOTE TERRENO | 24.00 | 24.20 | 24.93 | 25.04 | 24.82 | 24.83 | 24.85 | 24.84 | 24.86 | 24.88 | 24.90 | 24.92 |
| DIST. PROGRESSIVE TERRENO | -30.00 | -26.48 | -20.27 | -14.98 | -10.61 | -6.33 | -1.12 | 2.58 | 12.21 | 18.05 | 29.53 | 35.00 |
| QUOTE PROGETTO | | | | | | 24.40 23.90 23.90 24.40 | 25.48 25.40 | 25.59 | 25.40 25.48 | 24.43 24.43 23.93 | 24.43 | |
| DIST. PROGRESSIVE PROGETTO | | | | | | -8.40 -7.90 -7.40 -6.90 | -4.77 -4.35 | 2.00 | 8.35 8.77 | 10.35 10.85 11.35 | 11.85 12.35 | |
| DISTANZA BINARI | | | | | | | | 0.00 | 4.00 | | | |

| AREA | |
|------------------|-------|
| Scavo: | 2.66 |
| Rilevato: | 24.77 |
| SubBallast: | 1.55 |
| Ballast: | 4.83 |
| Inerbimento: | 1.30 |
| SuperCompattato: | 4.07 |
| Stradello: | 1.27 |
| Anticapillare: | 7.91 |
| Scotico: | 10.33 |
| Bonifica: | 4.13 |

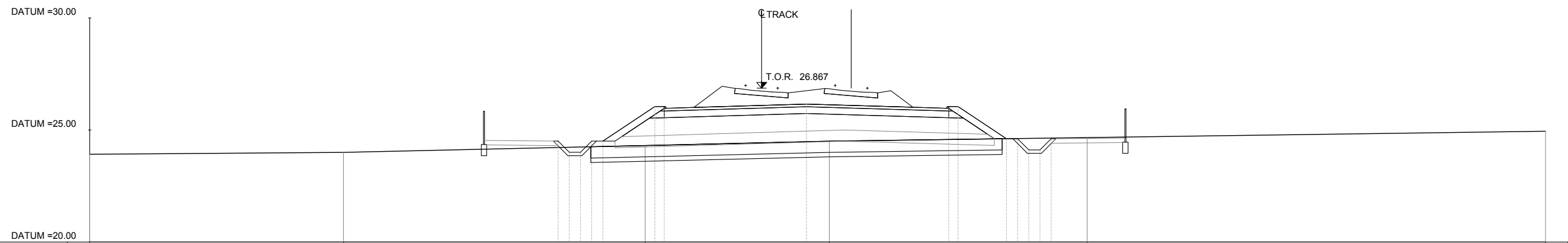
PROG 05+780.00
SEZ. RI02_26



| | | | | | | | | | | |
|----------------------------|--------|--------|--------|--------|---|----------------|-------|----------------|---|-------|
| QUOTE TERRENO | 23.92 | 24.00 | 24.00 | 24.00 | 24.00 | 24.43 | 24.58 | 24.72 | 24.77 | 24.91 |
| DIST. PROGRESSIVE TERRENO | -30.00 | -19.19 | -15.38 | -11.98 | -6.54 | 2.39 | 7.35 | 21.66 | 25.28 | 34.61 |
| QUOTE PROGETTO | | | | | 24.43 23.93 23.93 24.43 | 25.67 25.59 | 25.78 | 25.59 25.67 | 24.49 24.49 23.99 23.99 | 24.49 |
| DIST. PROGRESSIVE PROGETTO | | | | | -8.63 -8.13 -7.63 -7.13 -6.63 | -4.77 -4.35 | 2.00 | 8.35 8.77 | 10.54 11.04 11.54 12.04 12.54 | |
| DISTANZA BINARI | | | | | | | 0.00 | 4.00 | | |

| AREA | |
|------------------|-------|
| Scavo: | 2.01 |
| Rilevato: | 29.72 |
| SubBallast: | 1.55 |
| Ballast: | 4.83 |
| Inerbimento: | 1.60 |
| SuperCompattato: | 4.06 |
| Stradello: | 1.27 |
| Anticapillare: | 8.33 |
| Scotico: | 10.88 |
| Bonifica: | 4.35 |

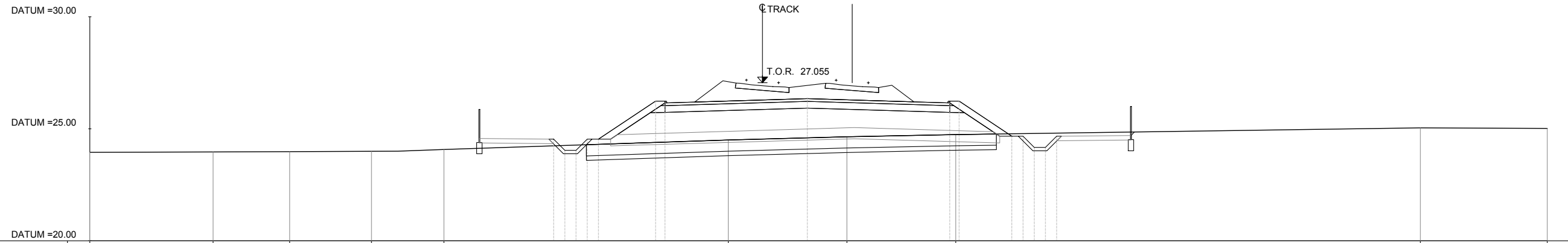
PROG 05+820.00
SEZ. RI02_28



| | | | | | | | | | | |
|----------------------------|--------|--|--------|--|----------------|--|-------|--|----------------|----------------------------------|
| QUOTE TERRENO | 23.92 | | 24.00 | | 24.30 | | 24.50 | | 24.66 | 24.95 |
| DIST. PROGRESSIVE TERRENO | -30.00 | | -18.67 | | -5.20 | | 3.02 | | 14.53 | 35.00 |
| QUOTE PROGETTO | | | | | 24.50 24.00 | | 26.16 | | 25.97 26.05 | 24.61 24.61 |
| DIST. PROGRESSIVE PROGETTO | | | | | -9.09 -8.59 | | 2.00 | | 8.35 8.77 | 10.93 11.43 11.93 12.43 |
| DISTANZA BINARI | | | | | -4.77 -4.35 | | -0.00 | | 4.00 | |

| AREA | |
|------------------|-------|
| Scavo: | 2.67 |
| Rilevato: | 30.96 |
| SubBallast: | 1.55 |
| Ballast: | 4.82 |
| Inerbimento: | 1.76 |
| SuperCompattato: | 4.07 |
| Stradello: | 1.27 |
| Anticapillare: | 8.54 |
| Scotico: | 10.84 |
| Bonifica: | 4.34 |

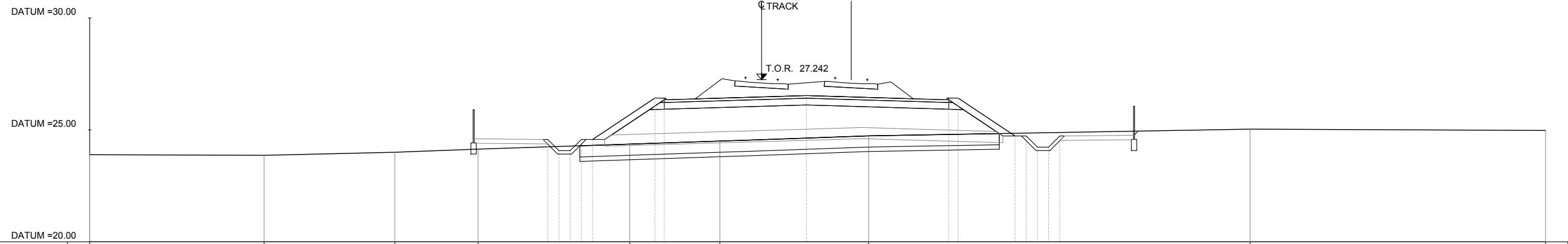
PROG 05+840.00
SEZ. RI02_29



| | | | | | | | | | | |
|----------------------------|--------|--------|--------|--------|--------|---|----------------|----------------|---|-------|
| QUOTE TERRENO | 23.95 | 23.97 | 23.98 | 24.00 | 24.08 | 24.50 | 24.64 | 24.74 | 25.04 | 25.02 |
| DIST. PROGRESSIVE TERRENO | -30.00 | -24.50 | -21.09 | -17.44 | -14.21 | -1.53 | 3.77 | 8.62 | 29.34 | 35.00 |
| QUOTE PROGETTO | | | | | | 24.54 24.04 24.04 24.54 24.54 | 26.24 26.15 | 26.15 26.23 | 24.67 24.67 24.17 24.17 24.67 | |
| DIST. PROGRESSIVE PROGETTO | | | | | | -9.32 -8.82 -8.32 -7.82 -7.32 | -4.77 -4.35 | 8.35 8.77 | 11.12 11.62 12.12 12.62 13.12 | |
| DISTANZA BINARI | | | | | | | 0.00 | 4.00 | | |

| AREA | |
|------------------|-------|
| Scavo: | 2.73 |
| Rilevato: | 34.01 |
| SubBallast: | 1.55 |
| Ballast: | 4.64 |
| Inerbimento: | 1.91 |
| SuperCompattato: | 4.06 |
| Stradello: | 1.27 |
| Anticapillare: | 8.75 |
| Scotico: | 11.08 |
| Bonifica: | 4.43 |

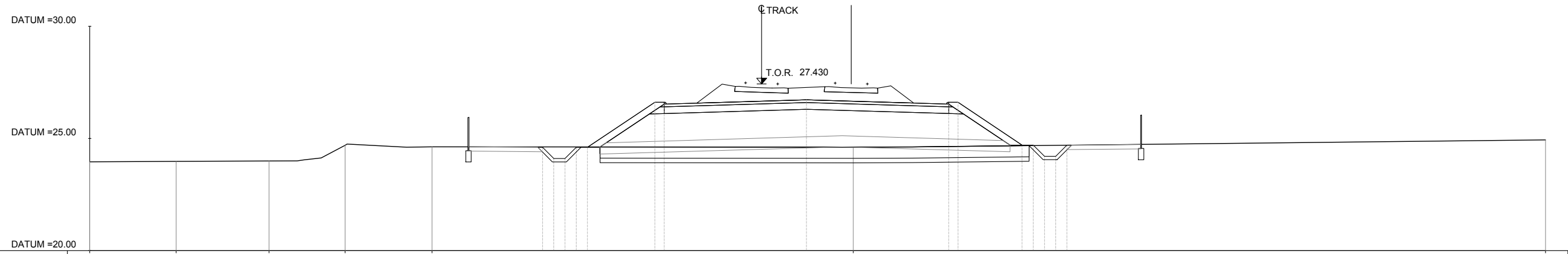
PROG 05+860.00
SEZ. RI02_30



| | | | | | | | | | |
|----------------------------|--------|--------|--------|--------|-------|-------|-------|-------|-------|
| QUOTE TERRENO | 23.89 | 23.86 | 24.00 | 24.14 | 24.36 | 24.50 | 24.73 | 25.03 | 24.97 |
| DIST. PROGRESSIVE TERRENO | -30.00 | -22.22 | -16.38 | -12.66 | -5.89 | -1.87 | 4.78 | 21.81 | 35.00 |
| QUOTE PROGETTO | | | | | | | | | |
| DIST. PROGRESSIVE PROGETTO | | | | | | | | | |
| DISTANZA BINARI | | | | | | 0.00 | 4.00 | | |

| AREA | |
|------------------|-------|
| Scavo: | 2.97 |
| Rilevato: | 34.84 |
| SubBallast: | 1.54 |
| Ballast: | 4.44 |
| Inerbimento: | 2.11 |
| SuperCompattato: | 4.07 |
| Stradello: | 1.27 |
| Anticapillare: | 9.02 |
| Scotico: | 9.58 |
| Bonifica: | 3.83 |

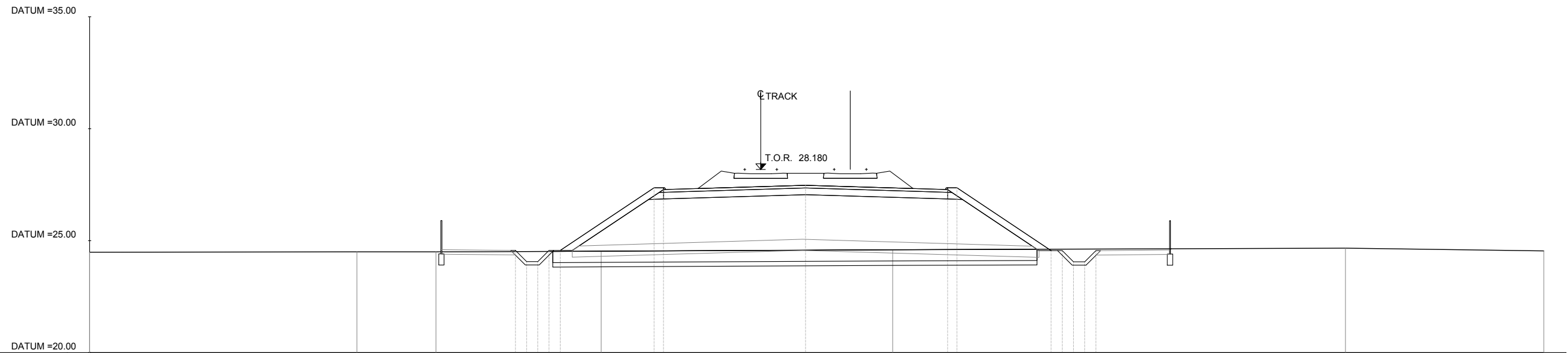
PROG 05+880.00
SEZ. RI02_31



| | | | | | | | | | |
|----------------------------|--------|--------|--------|--------|--------|--|-------|------|-------|
| QUOTE TERRENO | 23.96 | 23.98 | 23.99 | 24.69 | 24.63 | | 24.61 | | 24.94 |
| DIST. PROGRESSIVE TERRENO | -30.00 | -26.14 | -21.99 | -18.60 | -14.72 | | 4.09 | | 35.00 |
| QUOTE PROGETTO | | | | | | | | | |
| DIST. PROGRESSIVE PROGETTO | | | | | | | | | |
| DISTANZA BINARI | | | | | | | 0.00 | 4.00 | |

| AREA | |
|------------------|-------|
| Scavo: | 2.97 |
| Rilevato: | 51.84 |
| SubBallast: | 1.55 |
| Ballast: | 4.24 |
| Inerbimento: | 3.02 |
| SuperCompattato: | 4.07 |
| Stradello: | 1.27 |
| Anticapillare: | 10.28 |
| Scotico: | 10.82 |
| Bonifica: | 4.33 |

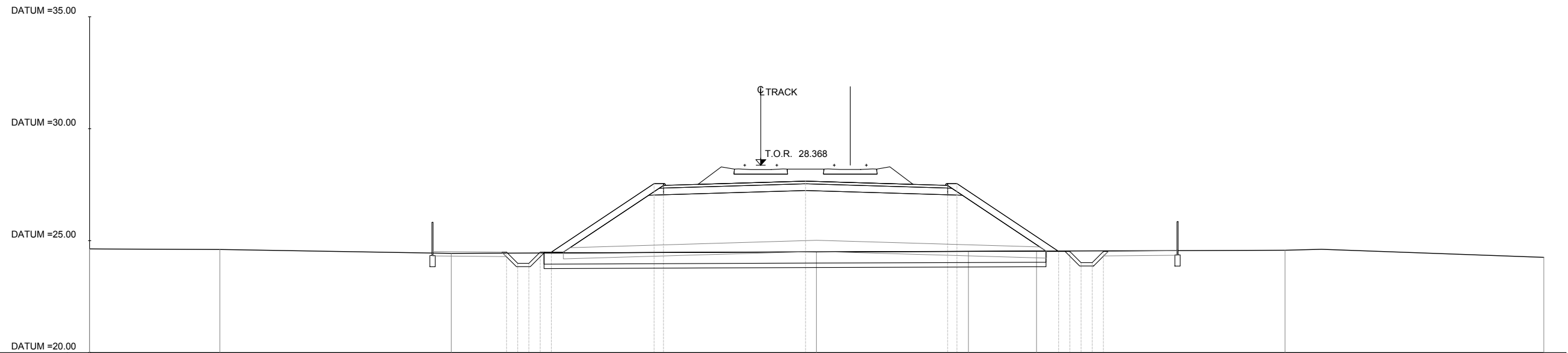
PROG 05+960.00
SEZ. RI02_35



| | | | | | | | |
|----------------------------|--------|--------|--------|-------|-------|-------|-------|
| QUOTE TERRENO | -30.00 | -18.05 | -14.52 | -7.13 | 5.89 | 26.13 | 35.00 |
| DIST. PROGRESSIVE TERRENO | 24.48 | 24.50 | 24.50 | 24.53 | 24.59 | 24.66 | 24.54 |
| QUOTE PROGETTO | | | | | | | |
| DIST. PROGRESSIVE PROGETTO | | | | | | | |
| DISTANZA BINARI | | | | | | | |

| AREA | |
|------------------|-------|
| Scavo: | 2.76 |
| Rilevato: | 57.85 |
| SubBallast: | 1.54 |
| Ballast: | 4.24 |
| Inerbimento: | 3.29 |
| SuperCompattato: | 4.07 |
| Stradello: | 1.27 |
| Anticapillare: | 10.64 |
| Scotico: | 11.22 |
| Bonifica: | 4.49 |

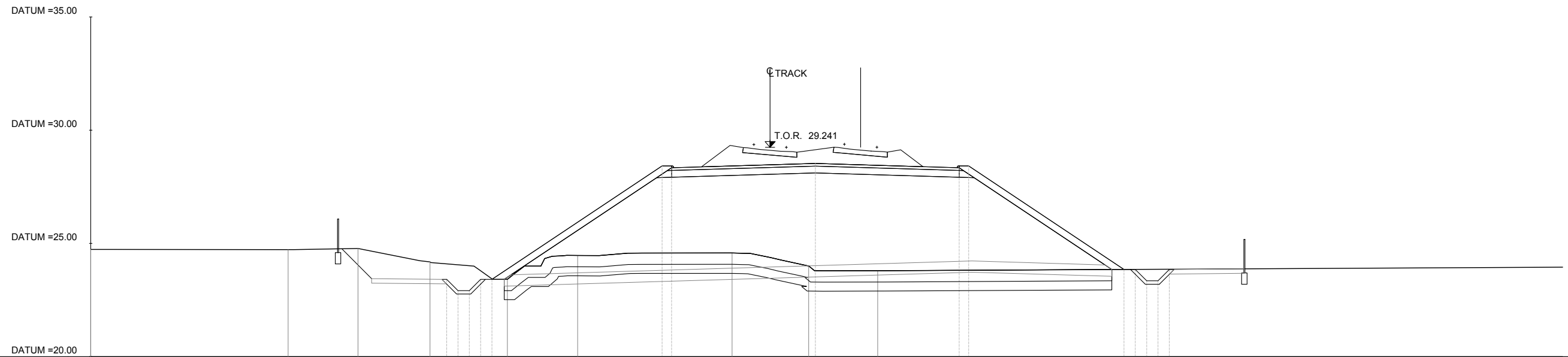
PROG 05+980.00
SEZ. RI02_36



| | | | | | | | | | | |
|----------------------------|--------|--------|--------|--|----------------|-------|----------------|---|-------|-------|
| QUOTE TERRENO | 24.63 | 24.61 | 24.43 | | 24.50 | 24.52 | 24.53 | | 24.57 | 24.26 |
| DIST. PROGRESSIVE TERRENO | -30.00 | -24.18 | -13.83 | | 2.49 | 9.28 | 12.33 | | 23.43 | 35.00 |
| QUOTE PROGETTO | | | | 24.49 23.99 23.99 24.49 24.49 | 27.55 27.47 | 27.66 | 27.47 27.55 | 24.52 24.52 24.02 24.02 | | |
| DIST. PROGRESSIVE PROGETTO | | | | -11.36 -10.86 -10.36 -9.86 -9.36 | -4.77 -4.35 | 2.00 | 8.35 8.77 | 13.32 13.82 14.32 14.82 15.32 | | |
| DISTANZA BINARI | | | | | | 0.00 | 4.00 | | | |

| AREA | |
|------------------|-------|
| Scavo: | 7.86 |
| Rilevato: | 89.57 |
| SubBallast: | 1.55 |
| Ballast: | 4.88 |
| Inerbimento: | 5.17 |
| SuperCompattato: | 4.06 |
| Stradello: | 1.27 |
| Anticapillare: | 13.24 |
| Scotico: | 13.69 |
| Bonifica: | 10.96 |

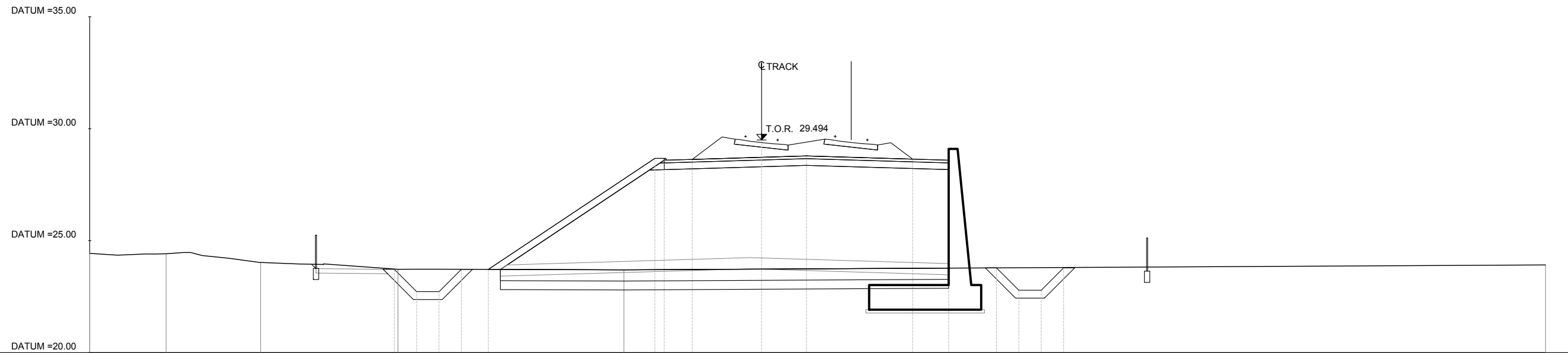
PROG 06+073.00
SEZ. RI02_41



| | | | | | | | | | | | | | |
|----------------------------|--------|--------|--------|--------------------------------------|--------|-------|----------------|-------|-------|----------------|--|----------------------------------|----------------|
| QUOTE TERRENO | 24.73 | 24.72 | 24.77 | 24.18 | 23.41 | 24.47 | 24.58 | 24.00 | 23.79 | | | | |
| DIST. PROGRESSIVE TERRENO | -30.00 | -21.28 | -18.20 | -15.02 | -11.60 | -8.50 | -1.68 | 1.71 | 4.75 | | | | |
| QUOTE PROGETTO | | | | 23.41 22.91 22.91 23.41 | 23.41 | | 28.42 28.34 | 28.53 | | 28.34 28.42 | | 23.85 23.85 23.35 23.35 | |
| DIST. PROGRESSIVE PROGETTO | | | | -14.28 -13.78 -13.28 -12.78 | -12.28 | | -4.77 -4.35 | 2.00 | | 8.35 8.77 | | 15.63 16.13 16.63 17.13 | 17.63 23.85 |
| DISTANZA BINARI | | | | | | | | -0.00 | 4.00 | | | | |

| AREA | |
|------------------|-------|
| Scavo: | 8.24 |
| Rilevato: | 85.28 |
| SubBallast: | 1.53 |
| Ballast: | 5.06 |
| Inerbimento: | 2.68 |
| SuperCompattato: | 3.94 |
| Stradello: | 0.62 |
| Anticapillare: | 9.93 |
| Scotico: | 10.01 |
| Bonifica: | 8.01 |

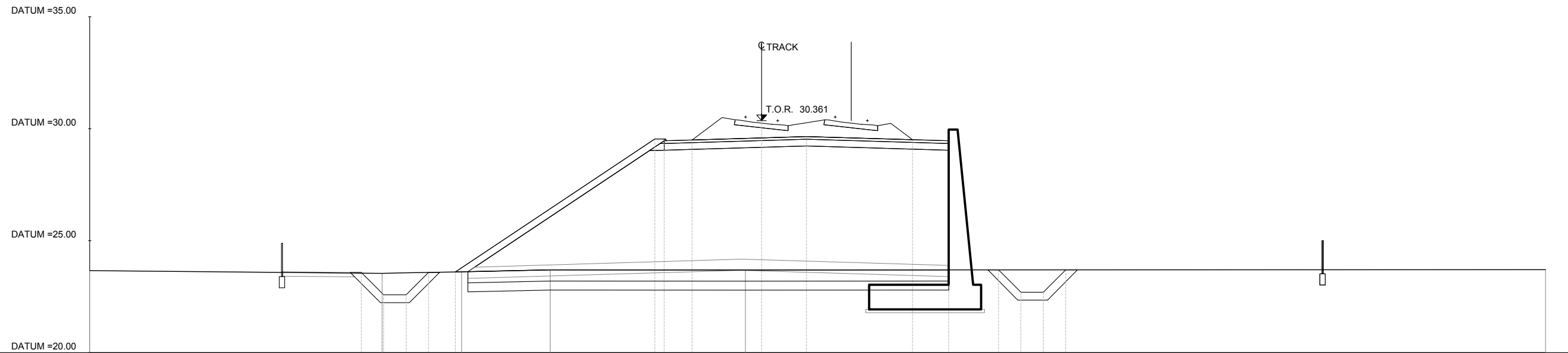
PROG 06+100.00
SEZ. RI02_43



| | | | | | | |
|----------------------------|--------|--------|--------|--------|-------|-------|
| QUOTE TERRENO | 24.43 | 24.42 | 24.02 | 23.72 | 23.70 | 23.92 |
| DIST. PROGRESSIVE TERRENO | -30.00 | -26.59 | -22.37 | -16.24 | -6.15 | 35.00 |
| QUOTE PROGETTO | | | | 23.72 | 28.67 | 28.59 |
| DIST. PROGRESSIVE PROGETTO | | | | -16.40 | -4.77 | 10.48 |
| DISTANZA BINARI | | | | | -0.00 | 4.00 |

| AREA | |
|------------------|--------|
| Scavo: | 7.59 |
| Rilevato: | 104.81 |
| SubBallast: | 1.53 |
| Ballast: | 5.04 |
| Inerbimento: | 3.21 |
| SuperCompattato: | 3.94 |
| Stradello: | 0.62 |
| Anticapillare: | 10.65 |
| Scotico: | 10.74 |
| Bonifica: | 8.59 |

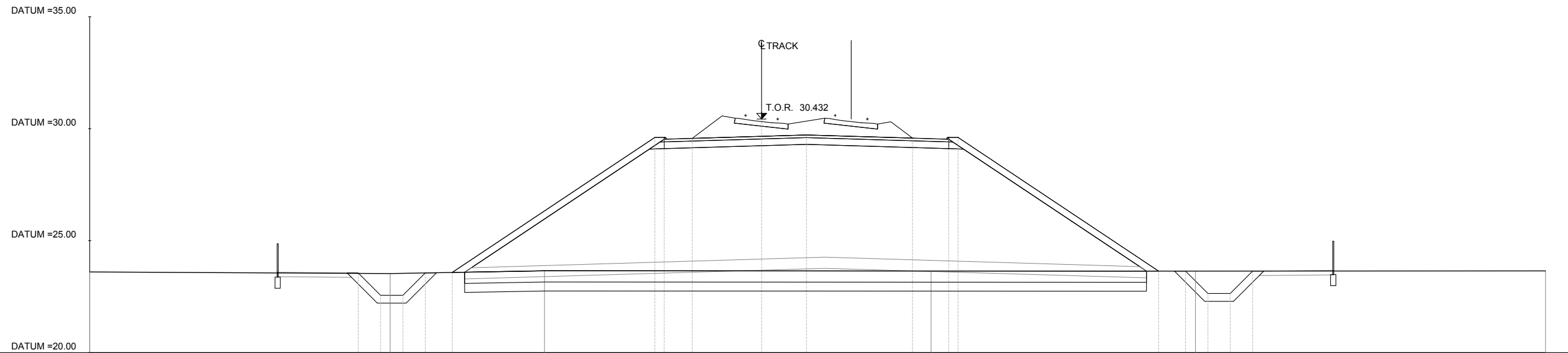
PROG 06+192.40
SEZ. RI02_48



| | | | | | | | | | | | | | | | | |
|----------------------------|--------|--------|--------|--------|--------|--------|----------------|-------|-------|-------|-------|-------|-------|-------|-------|-------|
| QUOTE TERRENO | 23.66 | 23.54 | 23.61 | 23.70 | 23.69 | 23.70 | 23.70 | | | | | | | | | |
| DIST. PROGRESSIVE TERRENO | -30.00 | -16.94 | -13.39 | -9.44 | -0.73 | 35.00 | 35.00 | | | | | | | | | |
| QUOTE PROGETTO | | 23.58 | 22.58 | 22.58 | 23.58 | 23.60 | 29.54 29.46 | 29.50 | 30.36 | 29.65 | 29.51 | 29.46 | 23.70 | 22.70 | 22.70 | 23.70 |
| DIST. PROGRESSIVE PROGETTO | | -17.87 | -16.87 | -15.87 | -14.87 | -13.67 | -4.77 -4.35 | -3.10 | 0.00 | 2.00 | 6.74 | 8.35 | 10.58 | 11.58 | 12.58 | 13.58 |
| DISTANZA BINARI | | | | | | | | | 0.00 | 4.00 | | | | | | |

| AREA | |
|------------------|--------|
| Scavo: | 8.23 |
| Rilevato: | 137.55 |
| SubBallast: | 1.54 |
| Ballast: | 5.04 |
| Inerbimento: | 6.47 |
| SuperCompattato: | 4.06 |
| Stradello: | 1.27 |
| Anticapillare: | 15.03 |
| Scotico: | 15.22 |
| Bonifica: | 12.18 |

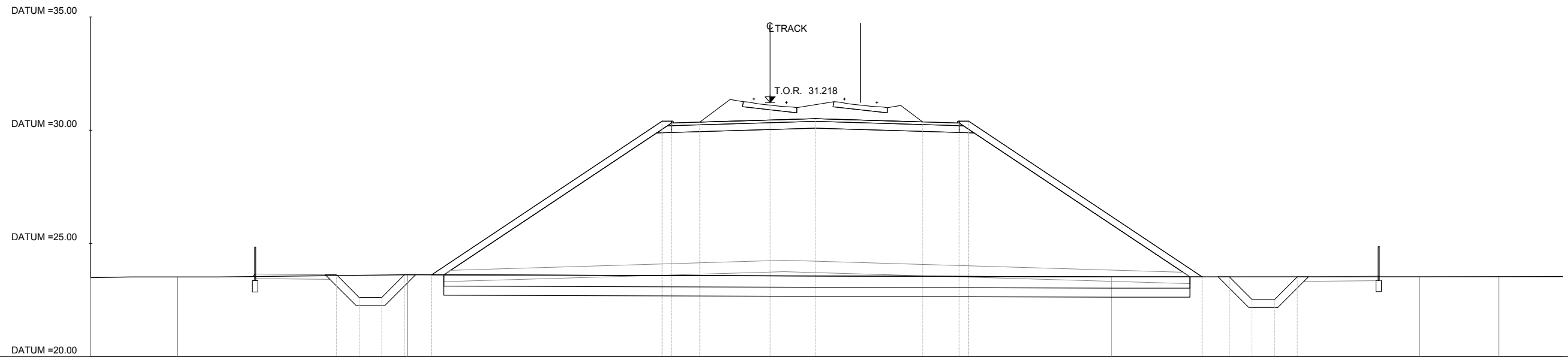
PROG 06+200.00
SEZ. RI02_50



| | | | | | | |
|----------------------------|--------|--|-------|-------------------------|---|---|
| QUOTE TERRENO | 23.60 | 23.53 | 23.65 | 23.65 | 23.64 | 23.65 |
| DIST. PROGRESSIVE TERRENO | -30.00 | -16.59 | -9.70 | 7.56 | 19.37 | 35.00 |
| QUOTE PROGETTO | | 23.56 22.56 22.56 23.56 23.58 | | 29.61 29.53 29.57 | 30.43 29.72 29.58 29.53 29.61 | 23.64 23.64 22.64 22.64 23.64 |
| DIST. PROGRESSIVE PROGETTO | | -18.02 -17.02 -16.02 -15.02 -13.82 | | -4.77 -4.35 -3.10 | 0.00 2.00 6.74 8.35 8.77 | 17.72 18.92 19.92 20.92 21.92 |
| DISTANZA BINARI | | | | 0.00 4.00 | | |

| AREA | |
|------------------|--------|
| Scavo: | 8.06 |
| Rilevato: | 166.26 |
| SubBallast: | 1.54 |
| Ballast: | 5.04 |
| Inerbimento: | 7.38 |
| SuperCompattato: | 4.07 |
| Stradello: | 1.27 |
| Anticapillare: | 16.27 |
| Scotico: | 16.47 |
| Bonifica: | 13.18 |

PROG 06+320.00
SEZ. RI02_56



| | | | | | | |
|----------------------------|--------|--------|--------|--------|--------|--------|
| QUOTE TERRENO | -30.00 | -26.16 | -16.00 | 15.08 | 28.68 | 32.19 |
| DIST. PROGRESSIVE TERRENO | -30.00 | -26.16 | -16.00 | 15.08 | 28.68 | 32.19 |
| QUOTE PROGETTO | | 23.61 | 22.61 | 22.61 | 23.61 | 23.61 |
| DIST. PROGRESSIVE PROGETTO | | -19.15 | -18.15 | -17.15 | -16.15 | -14.95 |
| DISTANZA BINARI | | | | 0.00 | 4.00 | |

