

COMMITTENTE:



DIREZIONE LAVORI:



APPALTATORE:

MANDATARIA:



MANDANTE:



PROGETTAZIONE:

MANDATARIA:



MANDANTI:



PROGETTO ESECUTIVO

**LINEA FERROVIARIA NAPOLI - BARI, TRATTA NAPOLI-CANCELLO,
IN VARIANTE TRA LE PK 0+000 E PK 15+585, INCLUSE LE OPERE ACCESSORIE,
NELL'AMBITO DEGLI INTERVENTI DI CUI AL D.L. 133/2014, CONVERTITO IN LEGGE 164 / 2014**

RILEVATI

RI03 - RILEVATO DAL KM 8+490.66 AL KM 9+536.29

Sezioni trasversali

APPALTATORE	PROGETTAZIONE	
DIRETTORE TECNICO Ing. M. PANISI	DIRETTORE DELLA PROGETTAZIONE Ing. A. CHECCHI	

COMMESSA	LOTTO	FASE	ENTE	TIPO DOC.	OPERA/DISCIPLINA	PROGR.	REV.	SCALA:
IF1M	00	E	ZZ	W9	RI0300	001	B	1:200

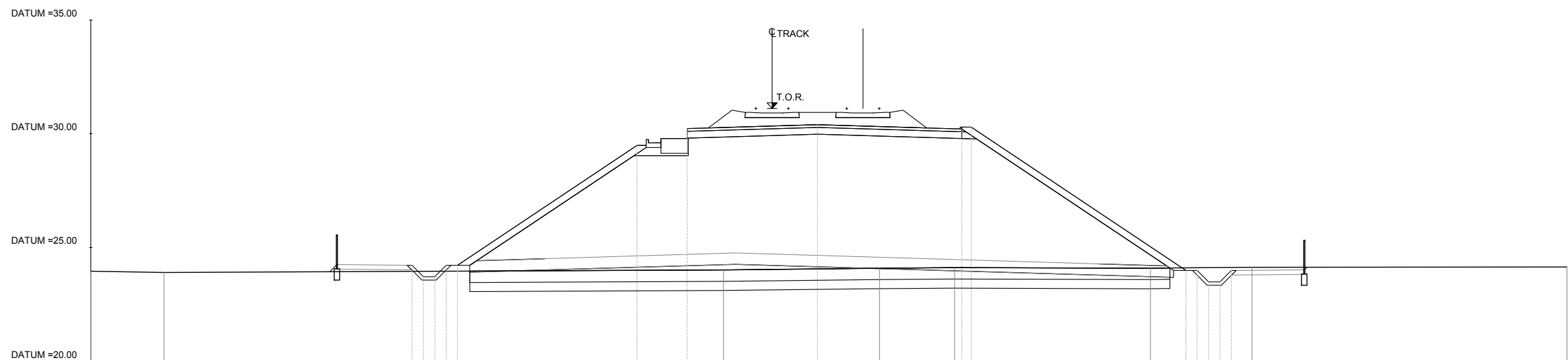
Rev.	Descrizione	Redatto	Data	Verificato	Data	Approvato	Data	Autorizzato	Data
A	EMISSIONE	FRANCHINI	14/06/2018	CERAUDO	15/06/2018	PIAZZA	15/06/2018	LACOPO	
B	EMISSIONE PER RDV	FRANCHINI	10/09/18	CERAUDO	11/09/18	PIAZZA	11/09/18		
									12/09/18

File:IF1M.0.0.E.ZZ.W9.RI.03.0.0.001.B.DWG

n. Elab.:

AREA	
Scavo:	2.59
Rilevato:	147.83
SubBallast:	1.46
Ballast:	4.24
Inerbimento:	6.24
SuperCompattato:	3.76
Stradello:	1.25
Anticapillare:	15.30
Scotico:	15.42
Bonifica:	27.75

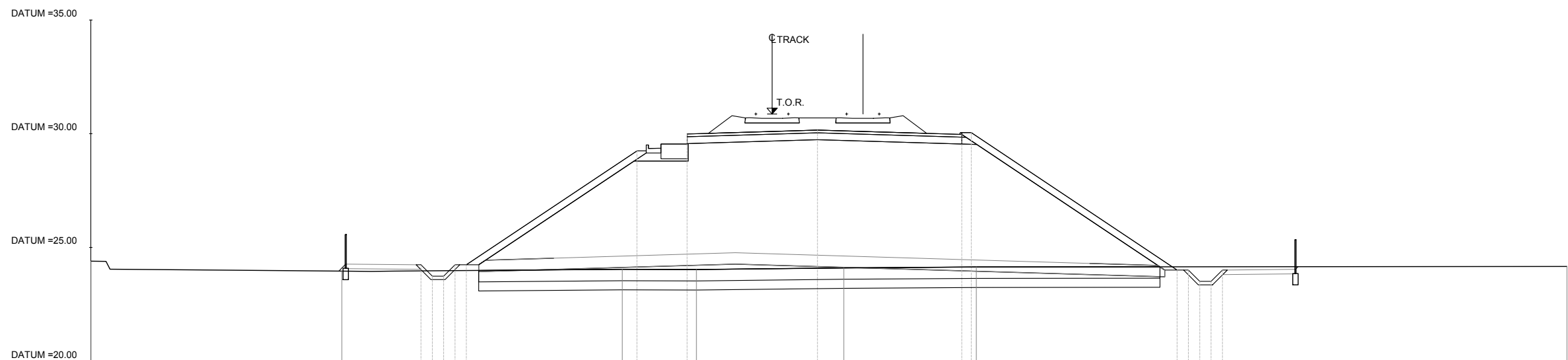
PROG 08+560.00
SEZ. RI03_4



QUOTE TERRENO	23.95	23.90			24.01	24.09	24.11		24.09	24.13	24.14						
DIST. PROGRESSIVE TERRENO	-30.00	-26.78			-2.14	4.73	8.03		16.66	21.13	35.00						
QUOTE PROGETTO			24.21	23.72	24.21	24.22	29.48	30.23	30.40	30.21	30.29	23.99	23.99	23.49	23.49	23.99	
DIST. PROGRESSIVE PROGETTO			-15.85	-15.35	-14.85	-14.35	-13.85	-5.95	-3.74	2.00	8.95	8.77	18.22	18.72	19.22	19.72	20.22
DISTANZA BINARI									-0.00	4.00							

AREA	
Scavo:	2.67
Rilevato:	138.91
SubBallast:	1.47
Ballast:	4.23
Inerbimento:	5.96
SuperCompattato:	3.76
Stradello:	1.25
Anticapillare:	14.91
Scotico:	15.00
Bonifica:	27.00

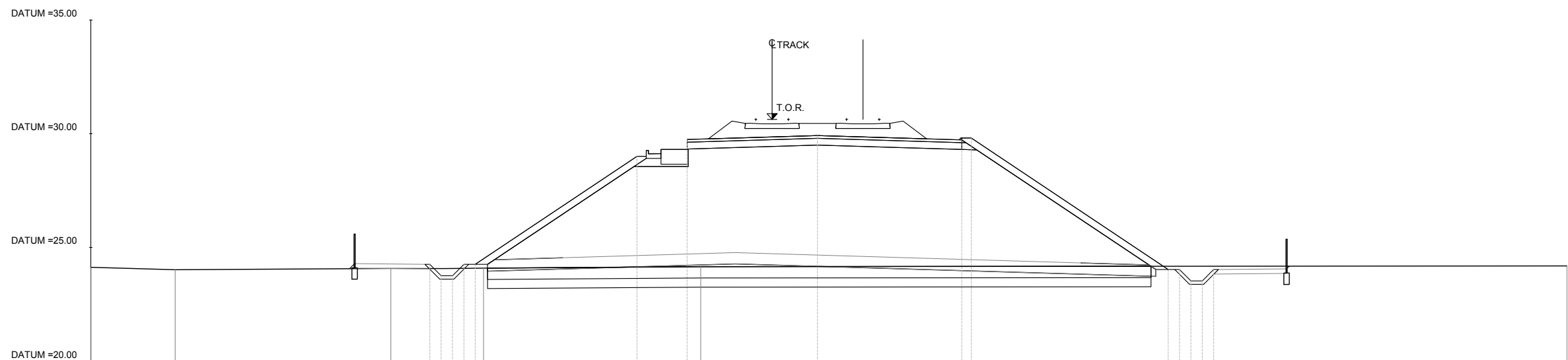
PROG 08+580.00
SEZ. RI03_5



QUOTE TERRENO	24.40	23.96	24.04	24.03	24.10	24.14	24.16					
DIST. PROGRESSIVE TERRENO	-30.00	-18.95	-6.60	-3.33	3.15	8.99	35.00					
QUOTE PROGETTO			24.24	29.25	29.99	30.16	29.97	24.01	24.01	23.51	24.01	
DIST. PROGRESSIVE PROGETTO			-15.46	-5.95	-3.74	2.00	8.95	17.83	18.33	18.83	19.33	19.83
DISTANZA BINARI						-0.00	4.00					

AREA	
Scavo:	2.84
Rilevato:	127.82
SubBallast:	1.46
Ballast:	4.24
Inerbimento:	5.68
SuperCompattato:	3.76
Stradello:	1.25
Anticapillare:	14.53
Scotico:	14.61
Bonifica:	26.29

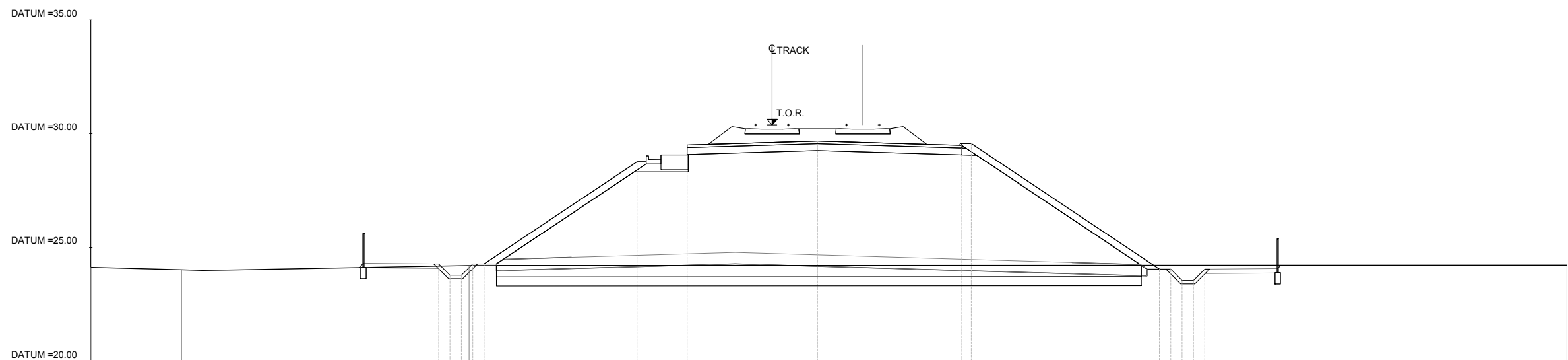
PROG 08+600.00
SEZ. RI03_6



QUOTE TERRENO	24.13	24.02	24.08	24.09	24.15	24.19		
DIST. PROGRESSIVE TERRENO	-30.00	-26.29	-16.79	-12.71	-3.14	35.00		
QUOTE PROGETTO			24.26 23.76 23.76 24.26 24.26	29.00	29.75	29.92	29.73 29.81	24.03 24.03 23.53 23.53 24.03
DIST. PROGRESSIVE PROGETTO			-15.07 -14.57 -14.07 -13.57 -13.07	-5.95	-3.74	2.00	8.35 8.77	17.44 17.94 18.44 18.94 19.44
DISTANZA BINARI					-0.00	4.00		

AREA	
Scavo:	3.28
Rilevato:	117.86
SubBallast:	1.46
Ballast:	4.24
Inerbimento:	5.41
SuperCompattato:	3.76
Stradello:	1.25
Anticapillare:	14.14
Scotico:	14.20
Bonifica:	25.56

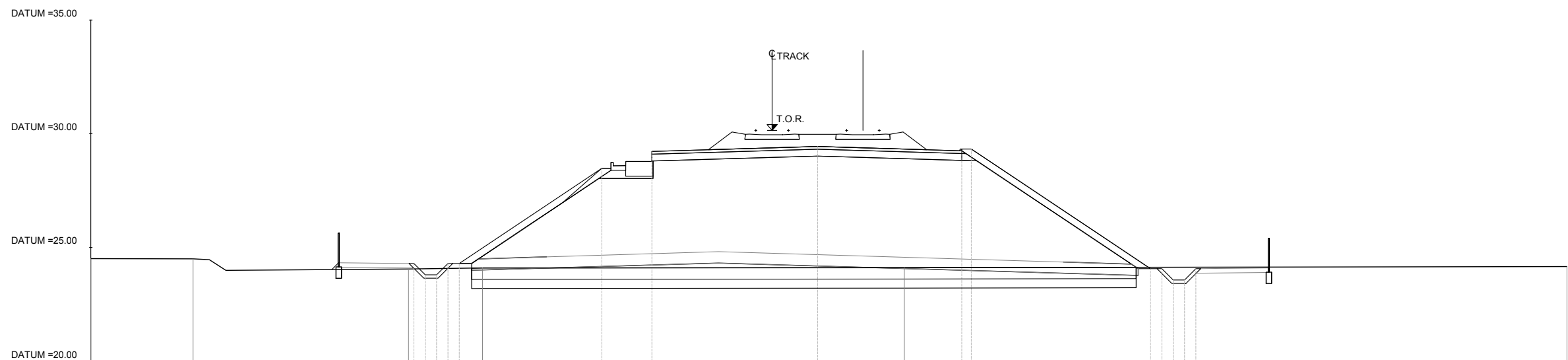
PROG 08+620.00
SEZ. RI03_7



QUOTE TERRENO	24.13	24.02	24.20		24.22	
DIST. PROGRESSIVE TERRENO	-30.00	-26.00	-13.34		35.00	
QUOTE PROGETTO			24.28 23.78 23.78 24.28 24.28	28.76 29.51	29.68 29.49 29.57	24.05 24.05 23.55 23.55 24.05
DIST. PROGRESSIVE PROGETTO			-14.68 -14.18 -13.68 -13.18 -12.68	-5.95 -3.74	2.00 8.35 8.77	17.05 17.55 18.05 18.55 19.05
DISTANZA BINARI					-0.00 4.00	

AREA	
Scavo:	2.23
Rilevato:	123.51
SubBallast:	1.65
Ballast:	4.24
Inerbimento:	5.10
SuperCompattato:	4.22
Stradello:	1.25
Anticapillare:	14.49
Scotico:	14.63
Bonifica:	26.34

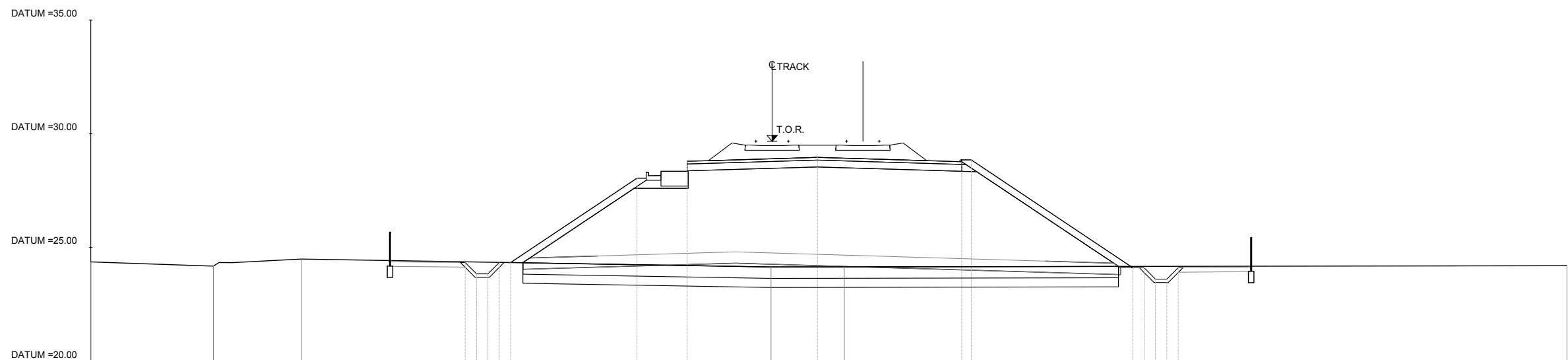
PROG 08+640.00
SEZ. RI03_8



QUOTE TERRENO	24.51	24.50	24.05	24.10	24.11	24.16
DIST. PROGRESSIVE TERRENO	-30.00	-25.50	-16.01	-12.75	5.82	35.00
QUOTE PROGETTO			24.30 24.30	28.48 29.22	29.44 29.25 29.33	24.07 24.07 23.57 24.07
DIST. PROGRESSIVE PROGETTO			-15.77 -15.28 -14.77 -14.27 -13.78	-7.50	-5.29	2.00 8.35 8.77
DISTANZA BINARI					0.00 4.00	

AREA	
Scavo:	3.44
Rilevato:	97.29
SubBallast:	1.46
Ballast:	4.24
Inerbimento:	4.56
SuperCompattato:	3.76
Stradello:	1.25
Anticapillare:	12.98
Scotico:	13.12
Bonifica:	23.61

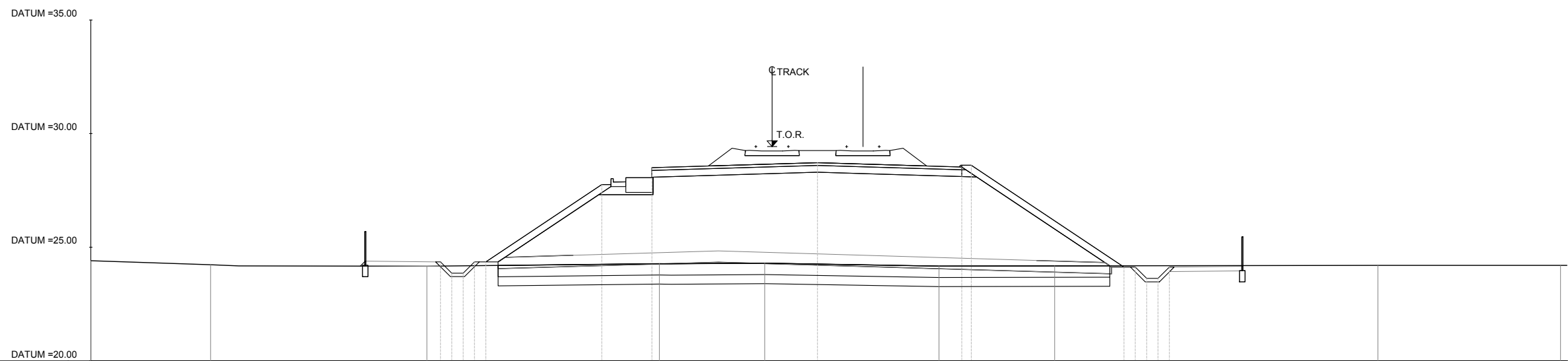
PROG 08+680.00
SEZ. RI03_10



QUOTE TERRENO	24.37	24.18	24.49		24.14	24.14		24.20					
DIST. PROGRESSIVE TERRENO	-30.00	-24.61	-20.73		-0.05	3.18		35.00					
QUOTE PROGETTO				24.34	28.05	28.79	28.96	28.77	24.11	24.11	23.61	24.11	
DIST. PROGRESSIVE PROGETTO				-13.51	-5.95	-3.74	2.00	8.35	15.88	16.38	16.88	17.38	17.88
DISTANZA BINARI							0.00	4.00					

AREA	
Scavo:	2.27
Rilevato:	97.89
SubBallast:	1.65
Ballast:	4.24
Inerbimento:	4.25
SuperCompattato:	4.22
Stradello:	1.25
Anticapillare:	13.33
Scotico:	13.47
Bonifica:	24.24

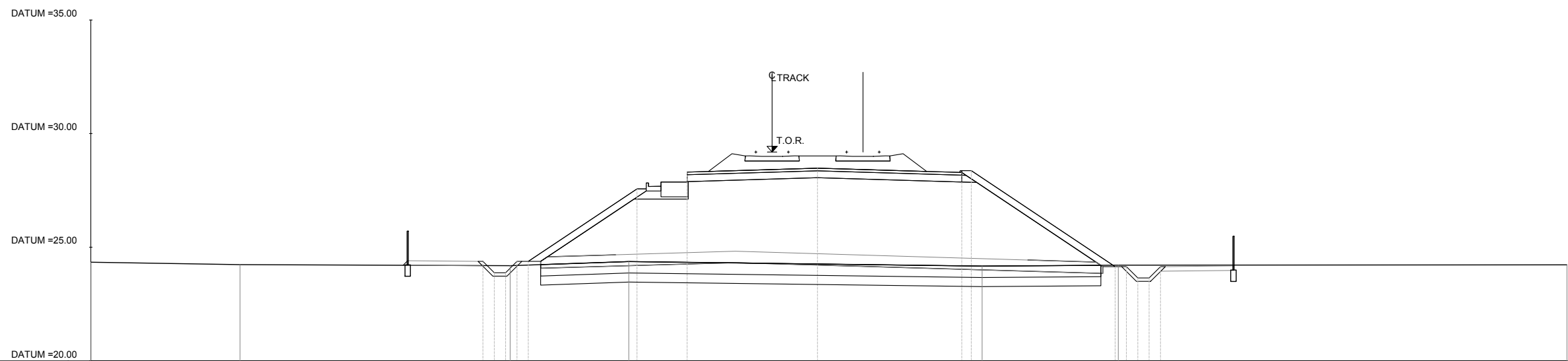
PROG 08+700.00
SEZ. RI03_11



QUOTE TERRENO	24.41	24.23	24.16	24.28	24.30	24.17	24.18	24.20	24.20
DIST. PROGRESSIVE TERRENO	-30.00	-24.73	-15.20	-4.97	-0.32	7.35	12.44	26.68	34.72
QUOTE PROGETTO			24.36 23.86 23.86 24.36	27.76	28.50	28.72	28.53 28.61	24.13 24.13 23.63 23.63 24.13	
DIST. PROGRESSIVE PROGETTO			-14.61 -14.11 -13.61 -12.61	-7.50	-5.29	2.00	8.35 8.77	15.49 15.99 16.49 16.99 17.49	
DISTANZA BINARI						0.00	4.00		

AREA	
Scavo:	2.30
Rilevato:	83.28
SubBallast:	1.46
Ballast:	4.23
Inerbimento:	3.99
SuperCompattato:	3.76
Stradello:	1.25
Anticapillare:	12.21
Scotico:	12.34
Bonifica:	22.21

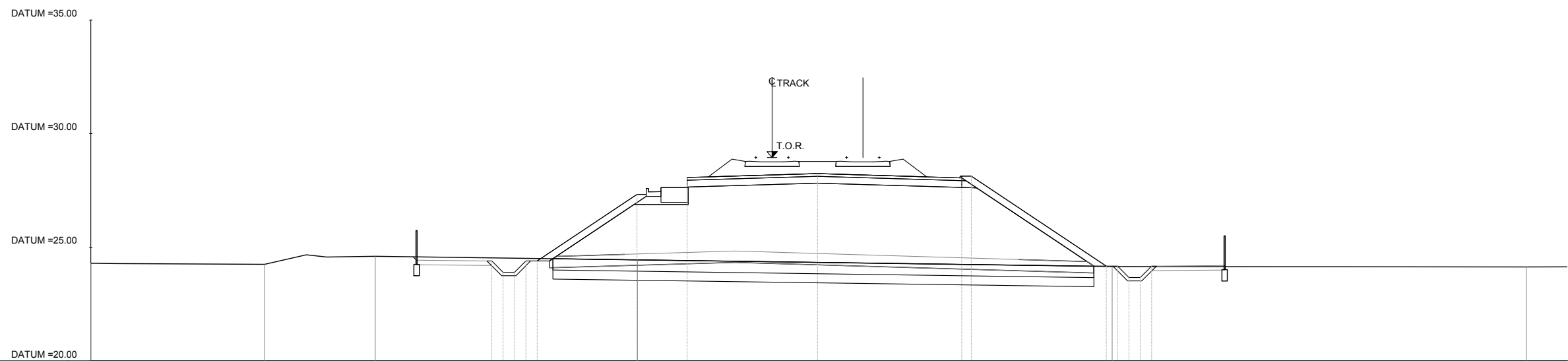
PROG 08+720.00
SEZ. RI03_12



QUOTE TERRENO	24.34	24.23	24.19	24.37	24.31	28.48	24.17	24.21	24.22
DIST. PROGRESSIVE TERRENO	-30.00	-23.43	-11.54	-6.31			9.25	15.24	35.00
QUOTE PROGETTO			24.38 23.88 23.88 23.88	27.57	28.31	28.48	28.29 28.37	24.15 24.15 23.65 23.65	24.15
DIST. PROGRESSIVE PROGETTO			-12.73 -12.23 -11.74 -11.23 -10.74	-5.95	-3.74	2.00	8.35 8.77	15.10 15.60 16.10 16.60 17.10	
DISTANZA BINARI						-0.00	4.00		

AREA	
Scavo:	3.61
Rilevato:	74.60
SubBallast:	1.46
Ballast:	4.23
Inerbimento:	3.72
SuperCompattato:	3.76
Stradello:	1.25
Anticapillare:	11.82
Scotico:	11.92
Bonifica:	21.45

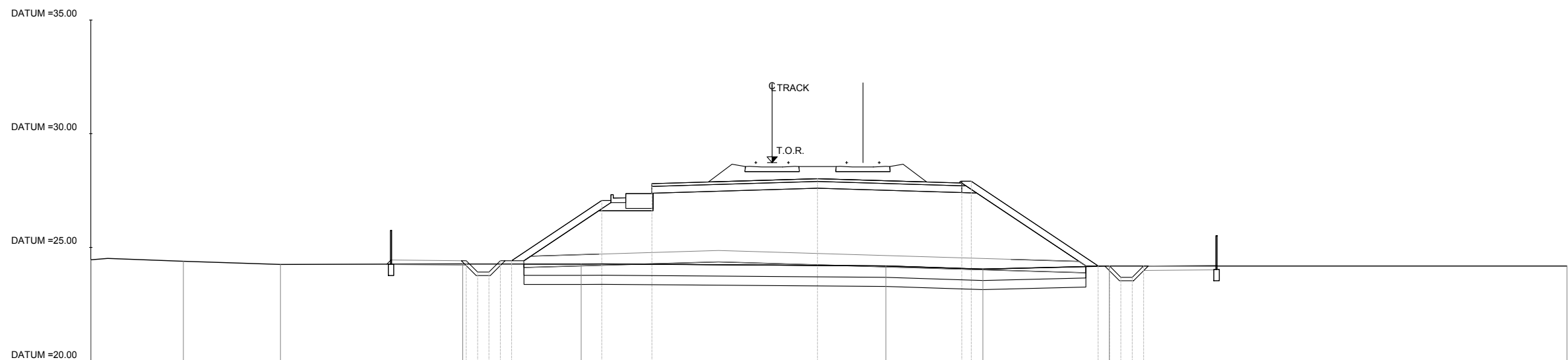
PROG 08+740.00
SEZ. RI03_13



QUOTE TERRENO	24.30	24.25	24.60	24.44	24.15	24.13		
DIST. PROGRESSIVE TERRENO	-30.00	-22.35	-17.48	-5.93	14.97	33.21		
QUOTE PROGETTO				24.40 23.90 23.90 24.40	27.33 28.07	28.24	28.05 28.13	24.17 24.17 23.67 23.67 24.17
DIST. PROGRESSIVE PROGETTO				-12.34 -11.85 -11.34 -10.85 -10.35	-5.95 -3.74	2.00	8.35 8.77	14.71 15.21 15.71 16.21 16.71
DISTANZA BINARI						-0.00	4.00	

AREA	
Scavo:	2.08
Rilevato:	78.64
SubBallast:	1.65
Ballast:	4.24
Inerbimento:	3.43
SuperCompattato:	4.22
Stradello:	1.25
Anticapillare:	12.20
Scotico:	12.37
Bonifica:	22.27

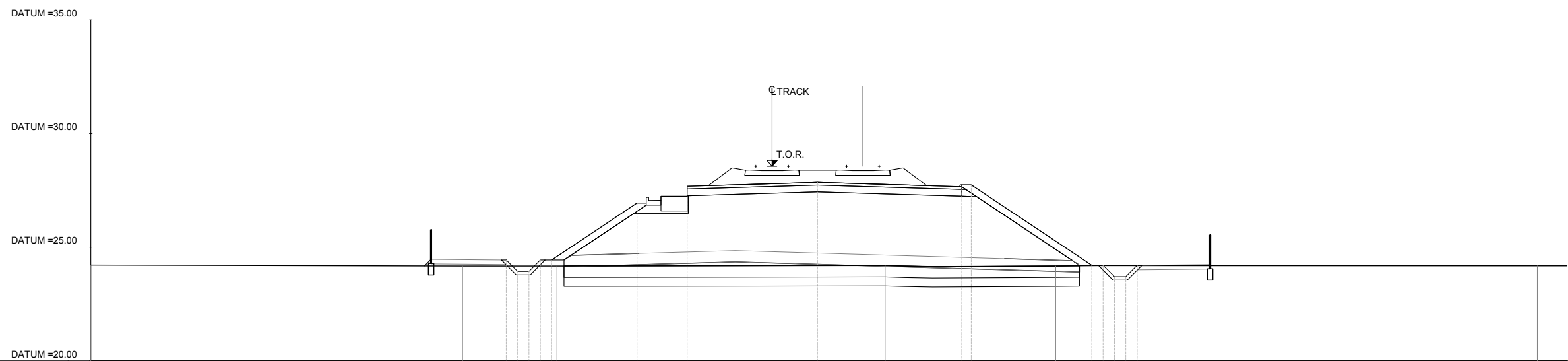
PROG 08+760.00
SEZ. RI03_14



QUOTE TERRENO	24.46	24.39	24.25	24.27	24.27	24.19	24.05	24.18	24.18
DIST. PROGRESSIVE TERRENO	-30.00	-25.93	-21.65	-13.62	-8.41	5.01	9.28	14.85	35.00
QUOTE PROGETTO				24.42 23.92 23.92 24.42	27.06	27.80	28.02	27.83 27.91	24.19 24.19 23.69 23.69 24.19
DIST. PROGRESSIVE PROGETTO				-13.47 -12.97 -12.47 -11.97	-7.50	-5.29	2.00	8.35 8.77	14.36 14.86 15.36 15.86 16.36
DISTANZA BINARI							-0.00	4.00	

AREA	
Scavo:	1.71
Rilevato:	71.60
SubBallast:	1.46
Ballast:	4.23
Inerbimento:	3.26
SuperCompattato:	3.76
Stradello:	1.25
Anticapillare:	11.19
Scotico:	11.35
Bonifica:	20.43

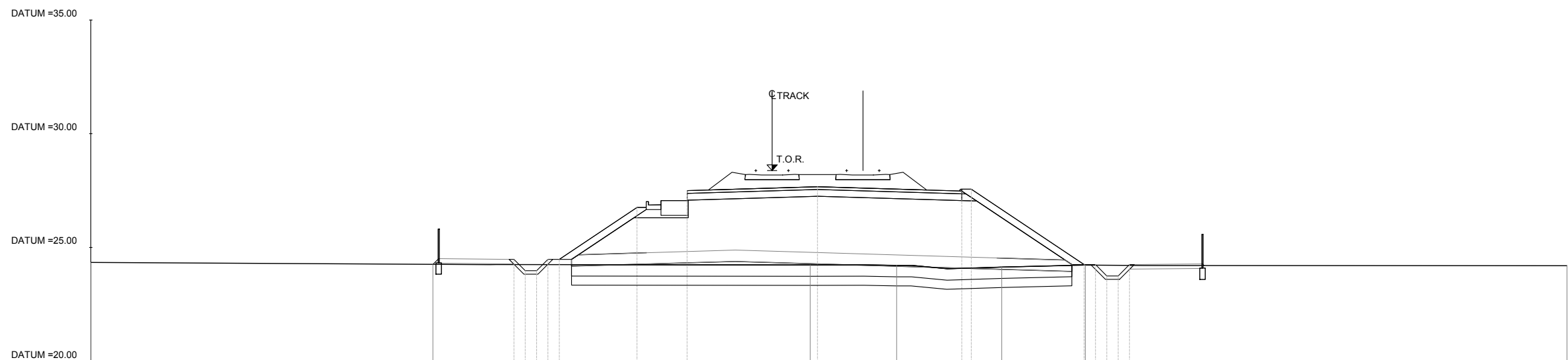
PROG 08+780.00
SEZ. RI03_15



QUOTE TERRENO	24.22	24.17	24.18	24.20	24.17	24.18
DIST. PROGRESSIVE TERRENO	-30.00	-13.63	-9.48	4.98	12.49	33.70
QUOTE PROGETTO		24.44	24.44	26.94	27.66	27.75
DIST. PROGRESSIVE PROGETTO		-11.71	-11.21	-5.95	-3.74	2.00
DISTANZA BINARI				-0.00	4.00	

AREA	
Scavo:	1.64
Rilevato:	66.29
SubBallast:	1.47
Ballast:	4.23
Inerbimento:	3.02
SuperCompattato:	3.75
Stradello:	1.25
Anticapillare:	10.86
Scotico:	11.02
Bonifica:	19.83

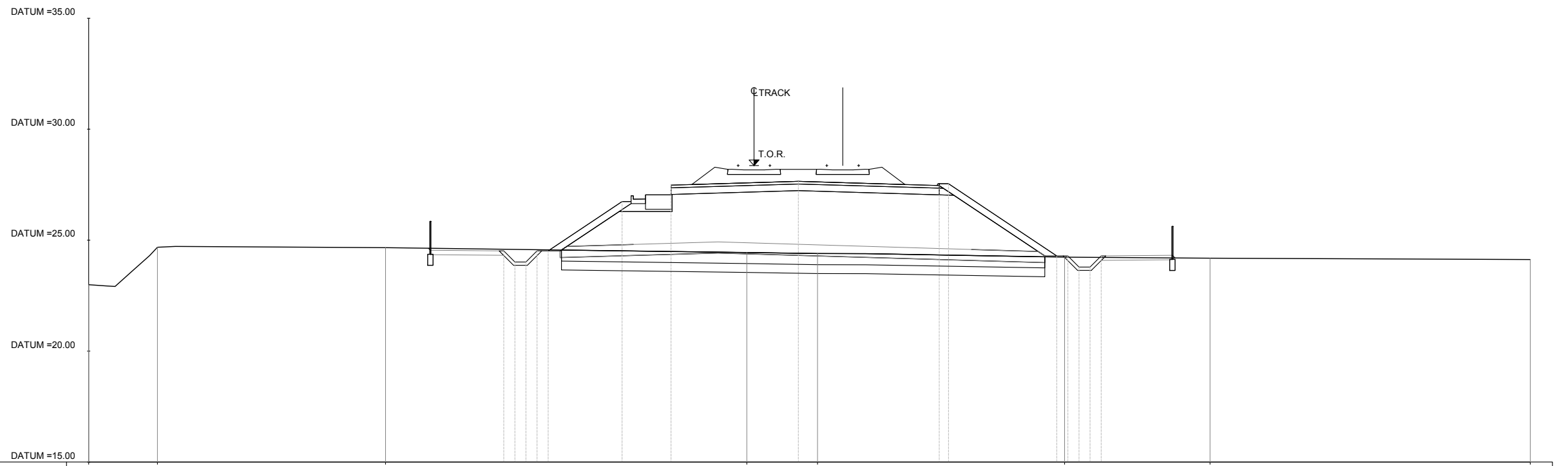
PROG 08+820.00
SEZ. RI03_17



QUOTE TERRENO	24.34	24.26	24.23	24.21	24.14	24.23	24.19
DIST. PROGRESSIVE TERRENO	-30.00	-14.94	1.68	5.48	10.12	13.79	35.00
QUOTE PROGETTO			27.67	27.48	27.56	24.25	
DIST. PROGRESSIVE PROGETTO			2.00	8.95	8.77	13.74	
DISTANZA BINARI			0.00	4.00			

AREA	
Scavo:	2.96
Rilevato:	58.39
SubBallast:	1.47
Ballast:	4.23
Inerbimento:	2.95
SuperCompattato:	3.75
Stradello:	1.25
Anticapillare:	10.77
Scotico:	10.90
Bonifica:	19.62

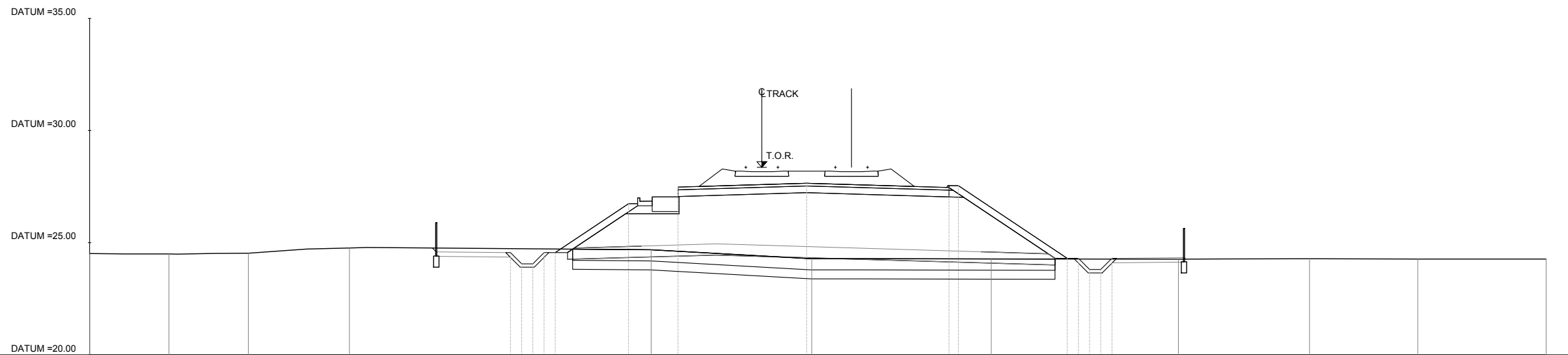
PROG 08+860.00
SEZ. RI03_19



QUOTE TERRENO	22.99	24.68		24.66		24.44	24.39		24.23		24.19	24.13						
DIST. PROGRESSIVE TERRENO	-30.00	-26.90		-16.62		-0.32	2.86		14.00		20.56	35.00						
QUOTE PROGETTO				24.52	24.02	24.02	24.52	26.74	27.48	27.65	27.46	27.54	24.29	24.29	23.79	23.79	24.29	
DIST. PROGRESSIVE PROGETTO				-11.28	-10.78	-10.28	-9.78	-9.28	-5.95	-3.74	2.00	8.35	8.77	13.65	14.15	14.65	15.15	15.65
DISTANZA BINARI											0.00	4.00						

AREA	
Scavo:	3.76
Rilevato:	58.04
SubBallast:	1.47
Ballast:	4.23
Inerbimento:	2.92
SuperCompattato:	3.75
Stradello:	1.25
Anticapillare:	10.73
Scotico:	10.77
Bonifica:	19.39

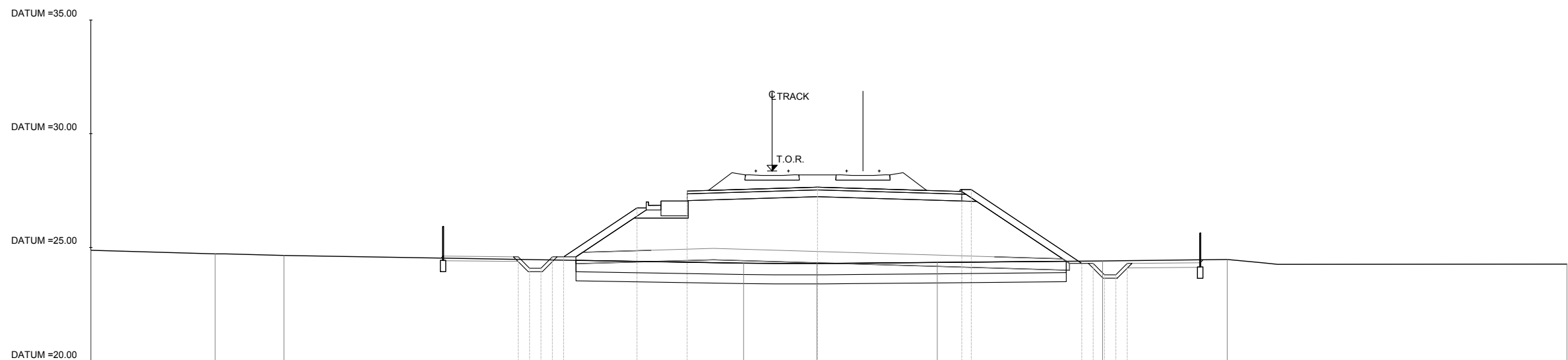
PROG 08+880.00
SEZ. RI03_20



QUOTE TERRENO	24.52	24.50	24.53	24.77	24.69	24.29	24.27	24.26	24.28	24.27	24.27
DIST. PROGRESSIVE TERRENO	-30.00	-26.46	-22.92	-18.40	-4.94	2.22	10.24	18.59	24.44	29.27	35.00
QUOTE PROGETTO					26.74	27.48	27.65	27.46 27.54	24.30 24.30 23.80 23.80 23.80		
DIST. PROGRESSIVE PROGETTO					-11.22 -10.72 -10.22 -9.72 -9.22	-5.95	-3.74	2.00	8.35 8.77	13.63 14.13 14.63 15.13 15.63	
DISTANZA BINARI							-0.00	4.00			

AREA	
Scavo:	3.13
Rilevato:	59.82
SubBallast:	1.47
Ballast:	4.23
Inerbimento:	2.91
SuperCompattato:	3.75
Stradello:	1.25
Anticapillare:	10.71
Scotico:	10.80
Bonifica:	19.43

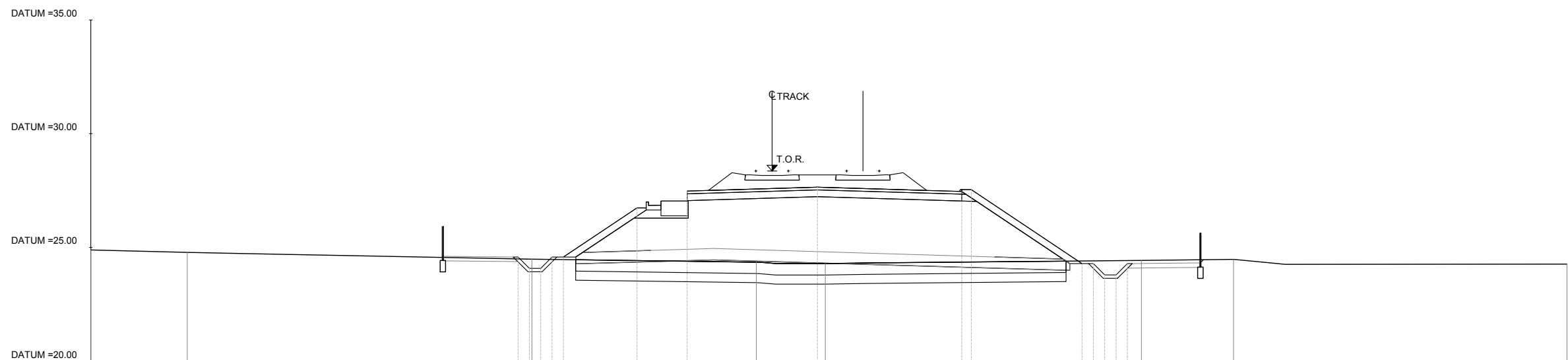
PROG 08+920.00
SEZ. RI03_22



QUOTE TERRENO	24.88	24.72	24.65		24.31	24.30	24.34	24.41	24.47	24.27
DIST. PROGRESSIVE TERRENO	-30.00	-24.53	-21.50		-1.26	1.97	7.27	14.55	20.04	35.00
QUOTE PROGETTO				24.59	26.74	27.48	27.65	27.46	24.30	
DIST. PROGRESSIVE PROGETTO				-11.18	-5.95	-3.74	2.00	8.35	13.64	
DISTANZA BINARI								8.77	4.00	
				24.09	24.59	24.59	27.54	23.80	24.30	
				-10.68	-9.18	-9.18		14.14	15.64	
				-10.18				14.64	15.14	
				-9.68				15.14	15.64	
				-9.18				15.64		

AREA	
Scavo:	3.35
Rilevato:	59.38
SubBallast:	1.47
Ballast:	4.23
Inerbimento:	2.92
SuperCompattato:	3.75
Stradello:	1.25
Anticapillare:	10.72
Scotico:	10.80
Bonifica:	19.44

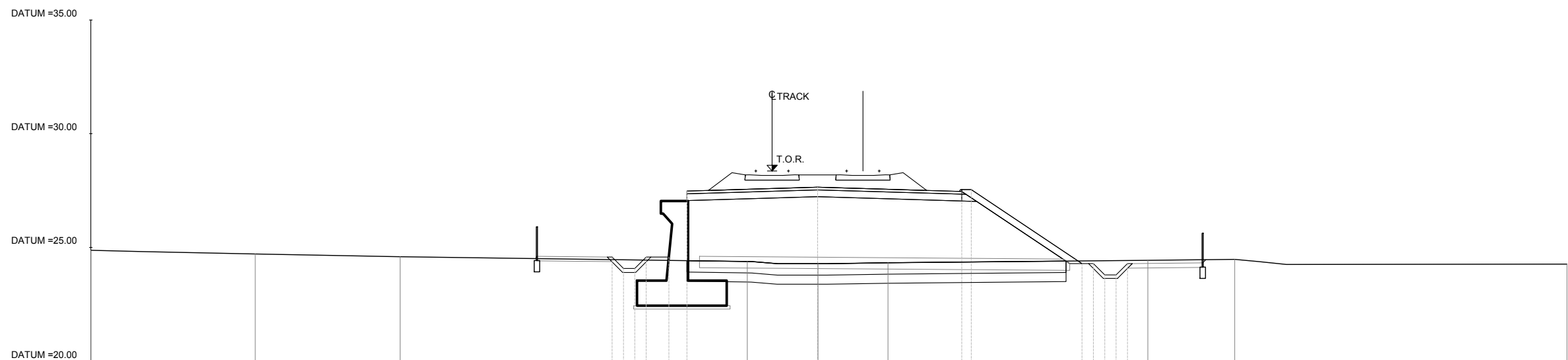
PROG 08+926.00
SEZ. RI03_23



QUOTE TERRENO	24.89	24.78	24.49	24.35	24.29	24.43	24.47	24.26
DIST. PROGRESSIVE TERRENO	-30.00	-25.75	-10.58	-0.69	2.34	16.26	20.32	35.00
QUOTE PROGETTO			24.58 24.08 24.08 24.58 24.58	26.74	27.48	27.65	27.46 27.54	24.29 24.28 23.78 23.78 24.29
DIST. PROGRESSIVE PROGETTO			-11.19 -10.69 -10.19 -9.69 -9.19	-5.95	-3.74	2.00	8.35 8.77	13.65 14.15 14.65 15.15 15.65
DISTANZA BINARI					0.00	4.00		

AREA	
Scavo:	3.20
Rilevato:	49.90
SubBallast:	1.47
Ballast:	4.23
Inerbimento:	1.75
SuperCompattato:	3.76
Stradello:	1.27
Anticapillare:	8.11
Scotico:	8.35
Bonifica:	15.03

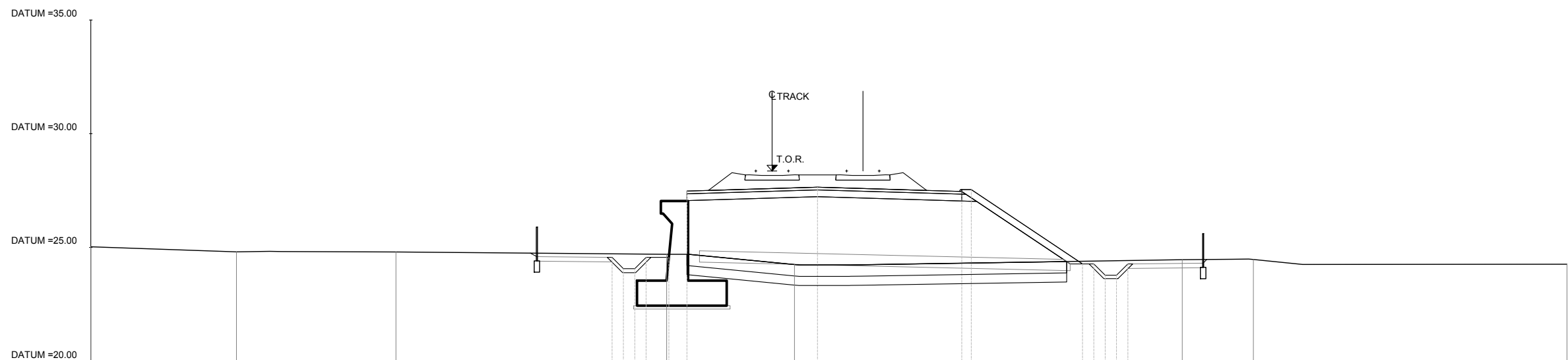
PROG 08+927.00
SEZ. RI03_24



QUOTE TERRENO	24.88	24.71	24.59	24.38	24.28	24.33	24.43	24.48	24.26
DIST. PROGRESSIVE TERRENO	-30.00	-22.76	-16.38	-1.09	2.02	5.10	16.55	20.37	35.00
QUOTE PROGETTO				24.58 24.08 24.08 24.58	24.58 27.48	27.65	27.46 27.54	24.29 24.28 23.78 23.78 24.29	
DIST. PROGRESSIVE PROGETTO				-7.05 -6.55 -6.05 -5.55	-4.55 -3.75	2.00	8.35 8.77	13.65 14.15 14.65 15.15 15.65	
DISTANZA BINARI					0.00	4.00			

AREA	
Scavo:	4.73
Rilevato:	49.39
SubBallast:	1.47
Ballast:	4.23
Inerbimento:	1.76
SuperCompattato:	3.76
Stradello:	1.27
Anticapillare:	8.08
Scotico:	8.37
Bonifica:	15.07

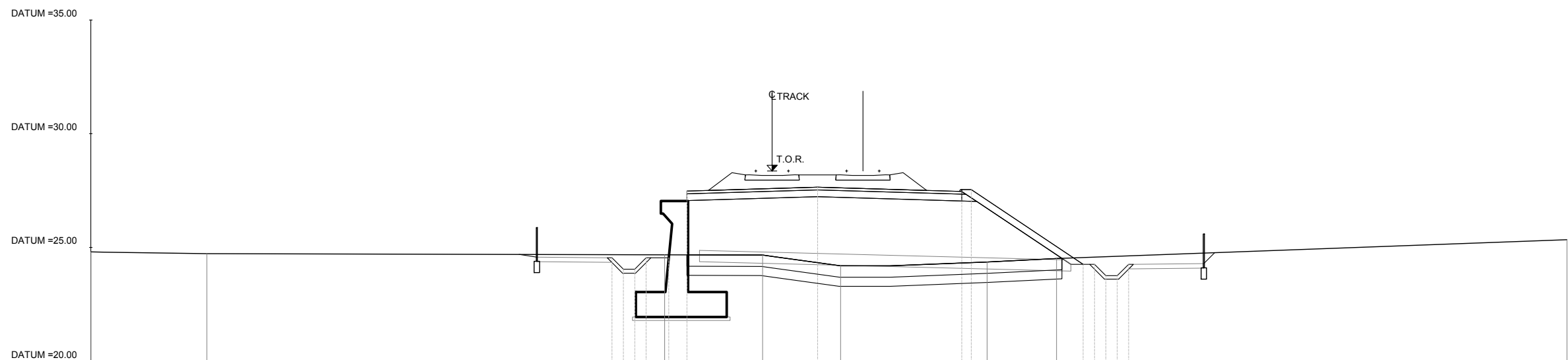
PROG 08+940.00
SEZ. RI03_25



QUOTE TERRENO	25.03	24.81	24.80	24.70	24.25	24.46	24.47	24.26
DIST. PROGRESSIVE TERRENO	-30.00	-23.59	-16.57	-4.64	0.98	18.06	21.19	35.00
QUOTE PROGETTO				24.56 24.06 24.06 24.56	24.56 27.48	27.65	27.46 27.54	24.28 24.28 24.28 23.78 23.78 24.28
DIST. PROGRESSIVE PROGETTO				-7.05 -6.55 -6.05 -5.55	-4.55 -3.75	2.00	8.35 8.77	13.67 14.17 14.67 15.17 15.67
DISTANZA BINARI					-0.00	4.00		

AREA	
Scavo:	6.24
Rilevato:	48.18
SubBallast:	1.47
Ballast:	4.23
Inerbimento:	1.77
SuperCompattato:	3.76
Stradello:	1.27
Anticapillare:	8.09
Scotico:	8.28
Bonifica:	14.90

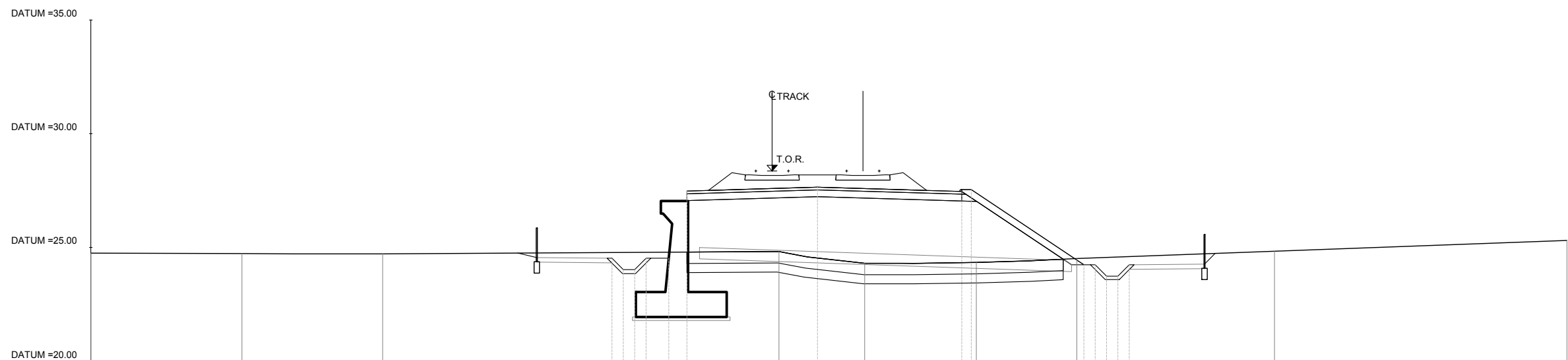
PROG 08+960.00
SEZ. RI03_26



QUOTE TERRENO	24.80	24.73	24.68	24.66	24.19	24.36	24.51	25.34
DIST. PROGRESSIVE TERRENO	-30.00	-24.89	-4.73	-0.42	3.01	9.47	12.52	35.00
QUOTE PROGETTO			24.54 24.04 24.04 24.54	24.54 27.48	27.65	27.46 27.54	24.26 24.26 23.76 24.26	
DIST. PROGRESSIVE PROGETTO			-7.05 -6.55 -6.05 -5.55	-4.55 -3.75	2.00	8.35 8.77	13.70 14.20 14.70 15.20 15.70	
DISTANZA BINARI					0.00	4.00		

AREA	
Scavo:	6.83
Rilevato:	46.64
SubBallast:	1.47
Ballast:	4.23
Inerbimento:	1.78
SuperCompattato:	3.76
Stradello:	1.27
Anticapillare:	8.08
Scotico:	8.30
Bonifica:	14.95

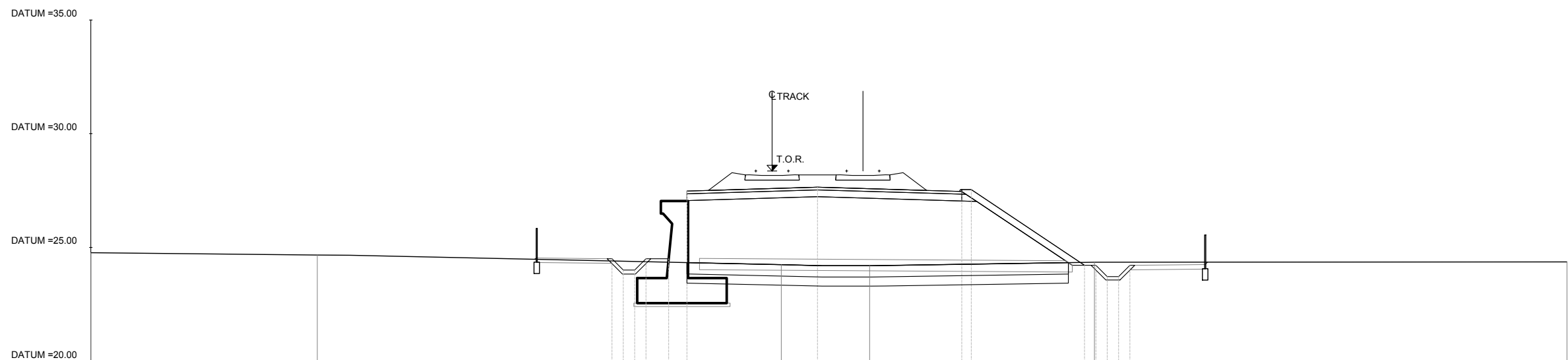
PROG 08+980.00
SEZ. RI03_27



QUOTE TERRENO	24.75	24.73	24.72	24.82	24.30	24.34	24.51	24.83	25.30
DIST. PROGRESSIVE TERRENO	-30.00	-23.35	-17.15	0.30	4.08	8.99	13.42	22.12	35.00
QUOTE PROGETTO				24.52 24.02 24.02 24.52 24.52 27.48	27.65	27.46 27.54	24.24 24.24 23.74 23.74 24.24		
DIST. PROGRESSIVE PROGETTO				-7.05 -6.55 -6.05 -5.55 -4.55 -3.75	2.00	8.35 8.77	13.73 14.23 14.73 15.23 15.73		
DISTANZA BINARI				0.00	4.00				

AREA	
Scavo:	3.26
Rilevato:	51.50
SubBallast:	1.47
Ballast:	4.23
Inerbimento:	1.79
SuperCompattato:	3.76
Stradello:	1.27
Anticapillare:	8.16
Scotico:	8.40
Bonifica:	15.12

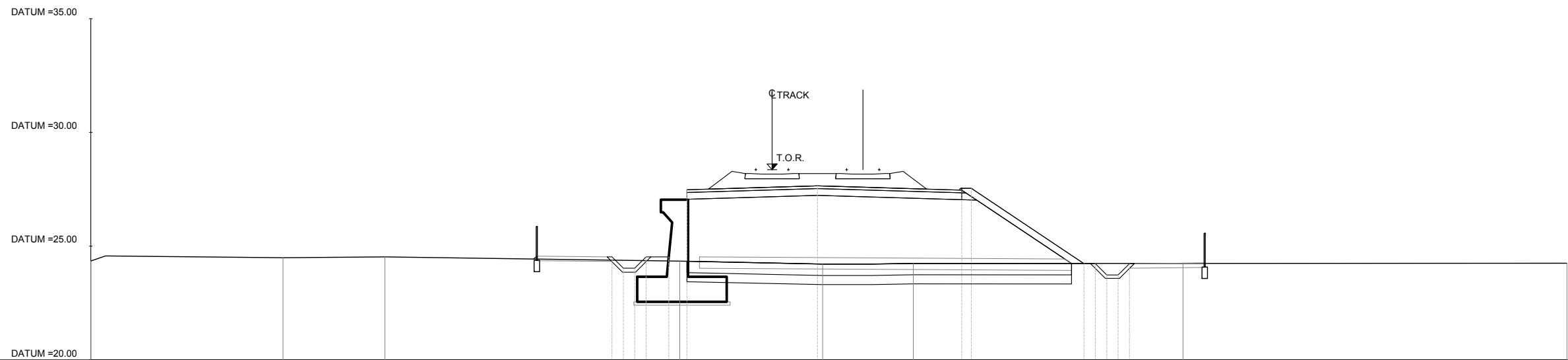
PROG 09+000.00
SEZ. RI03_28



QUOTE TERRENO	24.77	24.67	24.24	24.20	24.35	24.36
DIST. PROGRESSIVE TERRENO	-30.00	-20.03	0.40	4.30	14.19	35.00
QUOTE PROGETTO			24.50 24.00 24.00 24.50	27.65	27.46 27.54	24.22 24.22 23.72 24.22
DIST. PROGRESSIVE PROGETTO			-7.05 -6.55 -6.05 -5.55	2.00	8.35 8.77	13.76 14.26 14.76 15.26 15.76
DISTANZA BINARI				0.00	4.00	

AREA	
Scavo:	2.25
Rilevato:	51.83
SubBallast:	1.47
Ballast:	4.23
Inerbimento:	1.79
SuperCompattato:	3.76
Stradello:	1.27
Anticapillare:	8.15
Scotico:	8.47
Bonifica:	15.24

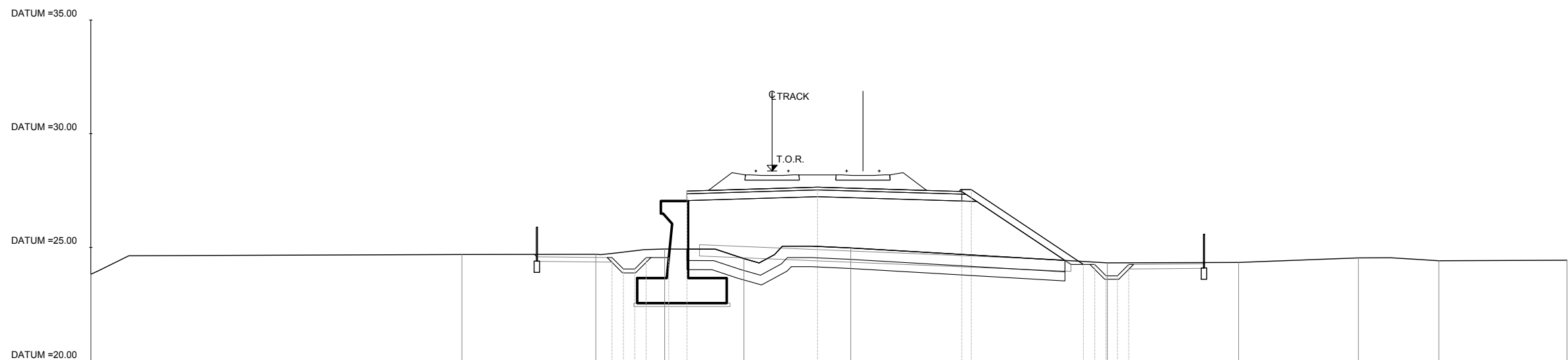
PROG 09+020.00
SEZ. RI03_29



QUOTE TERRENO	24.34	24.49	24.53	24.34	24.21	24.24	24.24	24.25
DIST. PROGRESSIVE TERRENO	-30.00	-21.54	-17.05	-4.07	2.23	6.22	18.09	35.00
QUOTE PROGETTO				24.53 24.03 24.03 24.53	24.53 27.48	27.65	27.46 27.54	24.23 24.23 23.73 23.73 24.23
DIST. PROGRESSIVE PROGETTO				-7.05 -6.55 -6.05 -5.55	-4.55 -3.75	2.00	8.35 8.77	13.74 14.24 14.74 15.24 15.74
DISTANZA BINARI					0.00	4.00		

AREA	
Scavo:	4.66
Rilevato:	42.52
SubBallast:	1.47
Ballast:	4.23
Inerbimento:	1.77
SuperCompattato:	3.76
Stradello:	1.27
Anticapillare:	8.05
Scotico:	8.51
Bonifica:	15.31

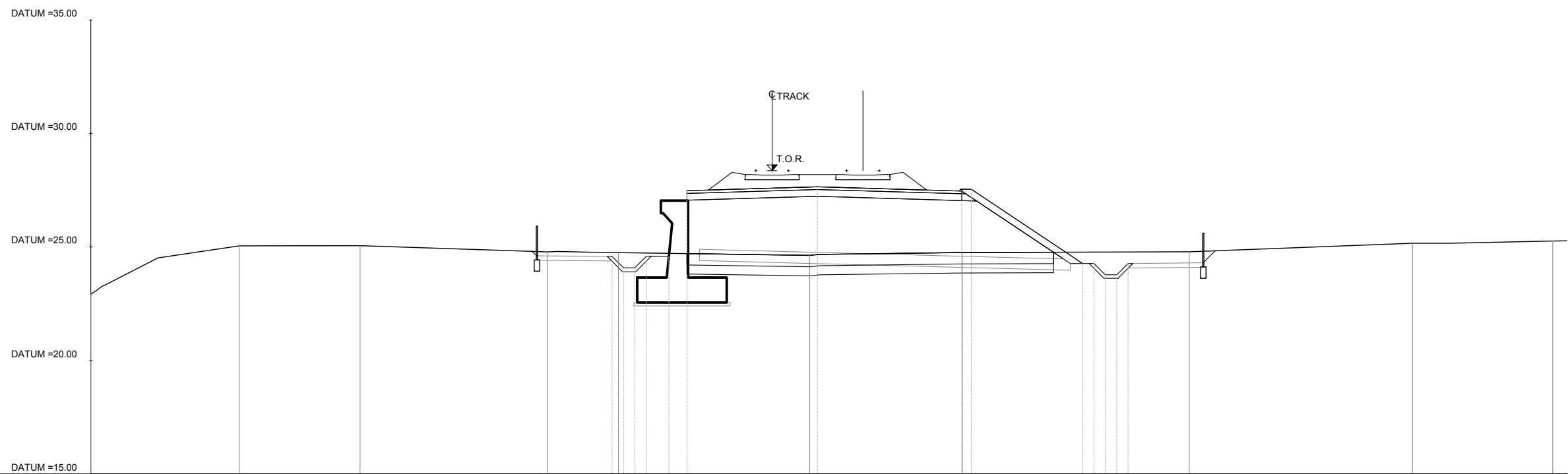
PROG 09+040.00
SEZ. RI03_30



QUOTE TERRENO	23.82	24.69	24.70	24.93	24.51	24.98	24.32	24.34	24.54	24.42	24.44
DIST. PROGRESSIVE TERRENO	-30.00	-13.66	-7.76	-4.73	-1.24	3.46	14.76	20.54	25.82	29.36	35.00
QUOTE PROGETTO			24.55 24.05 24.05 24.55	24.55 27.48		27.65	27.46 27.54		24.25 24.25 23.75 24.25		
DIST. PROGRESSIVE PROGETTO			-7.05 -6.55 -6.05 -5.55	-4.55 -3.75		2.00	8.35 8.77		13.70 14.21 14.71 15.21 15.71		
DISTANZA BINARI					-0.00	4.00					

AREA	
Scavo:	7.33
Rilevato:	43.05
SubBallast:	1.47
Ballast:	4.23
Inerbimento:	1.76
SuperCompattato:	3.76
Stradello:	1.27
Anticapillare:	8.07
Scotico:	8.07
Bonifica:	14.53

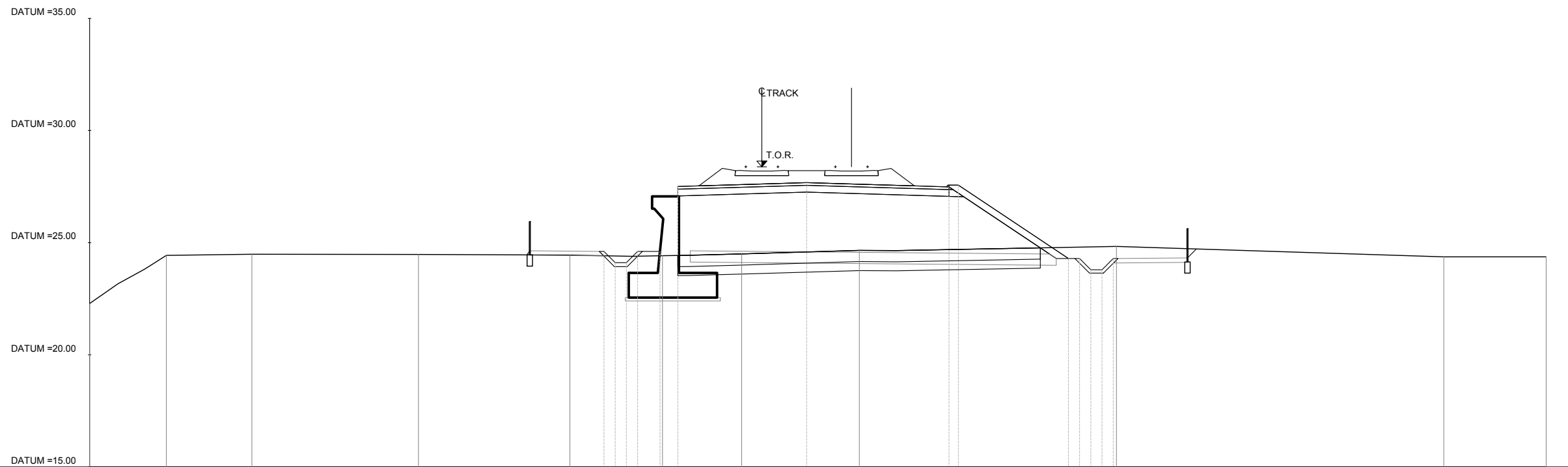
PROG 09+060.00
SEZ. RI03_31



QUOTE TERRENO	22.92	25.05	25.06	24.78	24.75	24.63	24.75	24.79	25.17	25.26
DIST. PROGRESSIVE TERRENO	-30.00	-23.47	-18.15	-9.90	-6.76	1.65	8.38	18.37	28.20	34.38
QUOTE PROGETTO					24.58 24.08 24.08 24.58	27.65	27.46 27.54	24.27 24.27 23.77 23.77		
DIST. PROGRESSIVE PROGETTO					-7.05 -6.55 -6.05 -5.55	2.00	8.35 8.77	13.67 14.17 14.67 15.17		
DISTANZA BINARI						-0.00	4.00			

AREA	
Scavo:	5.23
Rilevato:	45.71
SubBallast:	1.46
Ballast:	4.24
Inerbimento:	1.76
SuperCompattato:	3.76
Stradello:	1.27
Anticapillare:	8.12
Scotico:	8.09
Bonifica:	14.56

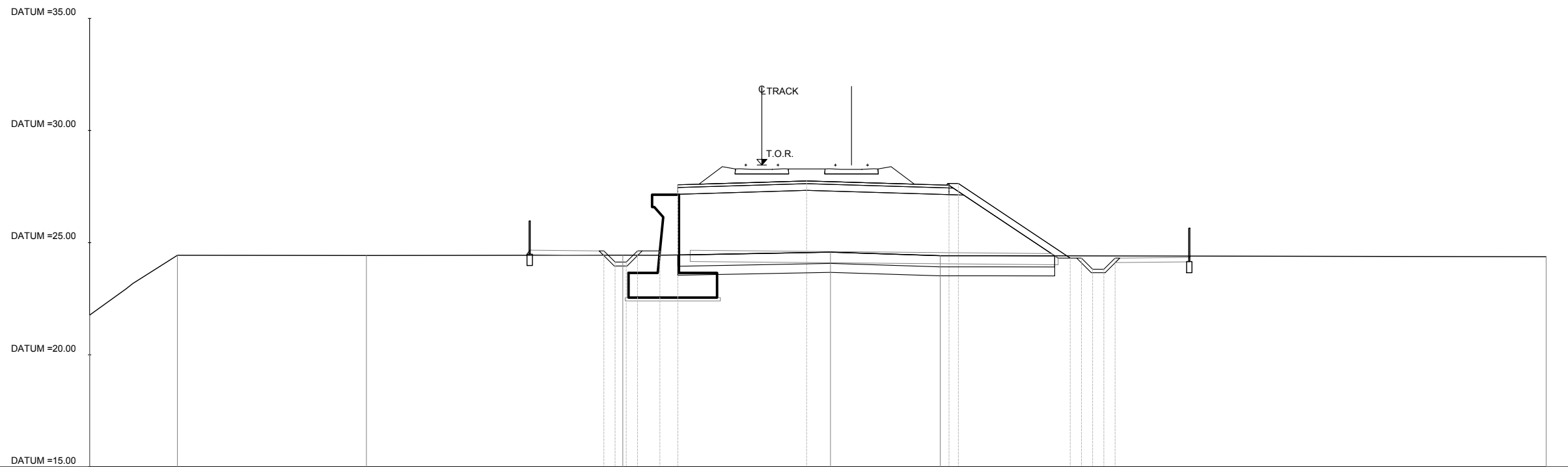
PROG 09+080.00
SEZ. RI03_32



QUOTE TERRENO	22.29	24.43	24.49	24.48	24.45	24.42	24.50	24.66	24.83	24.37	24.37
DIST. PROGRESSIVE TERRENO	-30.00	-26.58	-22.76	-15.32	-8.57	-4.44	-0.90	4.35	15.83	30.43	35.00
QUOTE PROGETTO						24.61 27.50	27.68	27.49 27.57	24.29 24.29 23.79 24.29		
DIST. PROGRESSIVE PROGETTO						-7.05 -6.55 -6.05 -5.55	-4.55 -3.75	2.00	8.35 8.77	13.68 14.18 14.68 15.18 15.68	
DISTANZA BINARI							-0.00	4.00			

AREA	
Scavo:	2.52
Rilevato:	50.89
SubBallast:	1.46
Ballast:	4.24
Inerbimento:	1.80
SuperCompattato:	3.76
Stradello:	1.27
Anticapillare:	8.16
Scotico:	8.41
Bonifica:	15.14

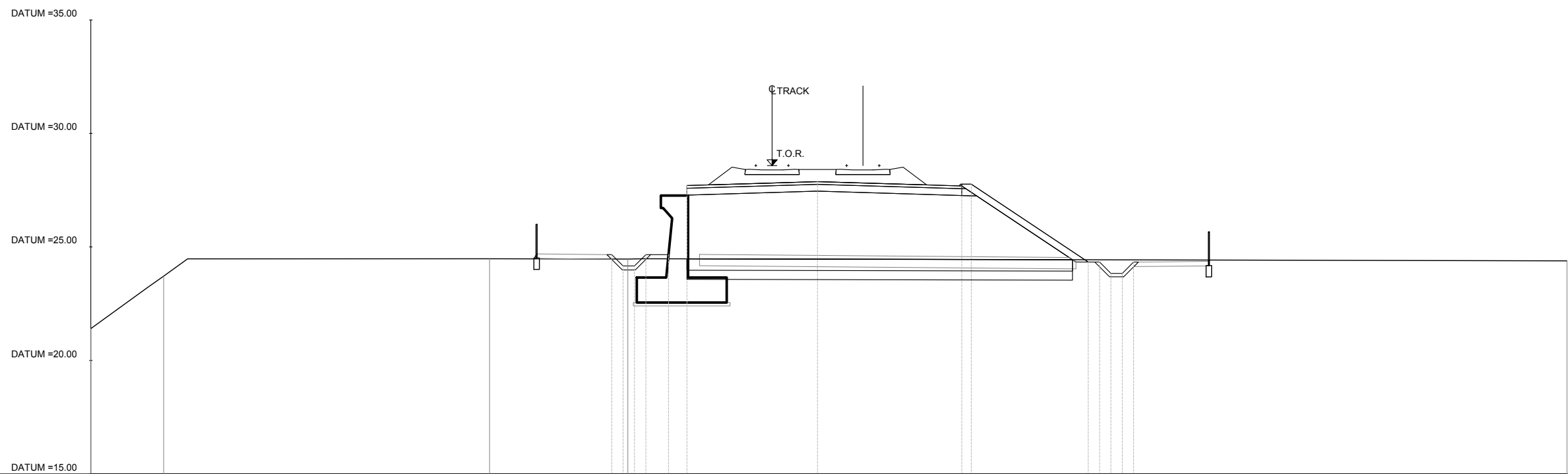
PROG 09+100.00
SEZ. RI03_33



QUOTE TERRENO	21.77	24.44	24.43	24.44	24.58	24.42	24.37
DIST. PROGRESSIVE TERRENO	-30.00	-26.08	-17.65	-6.20	3.06	7.96	35.00
QUOTE PROGETTO				24.63 24.14 24.14 24.63	27.58 27.58	27.75 27.56 27.64	24.31 24.31 23.81 23.81 24.31
DIST. PROGRESSIVE PROGETTO				-7.05 -6.55 -6.05 -5.55	-4.55 -3.75	2.00 8.35 8.77	13.76 14.26 14.76 15.26 15.76
DISTANZA BINARI					-0.00	4.00	

AREA	
Scavo:	2.52
Rilevato:	53.33
SubBallast:	1.47
Ballast:	4.24
Inerbimento:	1.85
SuperCompattato:	3.76
Stradello:	1.27
Anticapillare:	8.24
Scotico:	8.49
Bonifica:	15.28

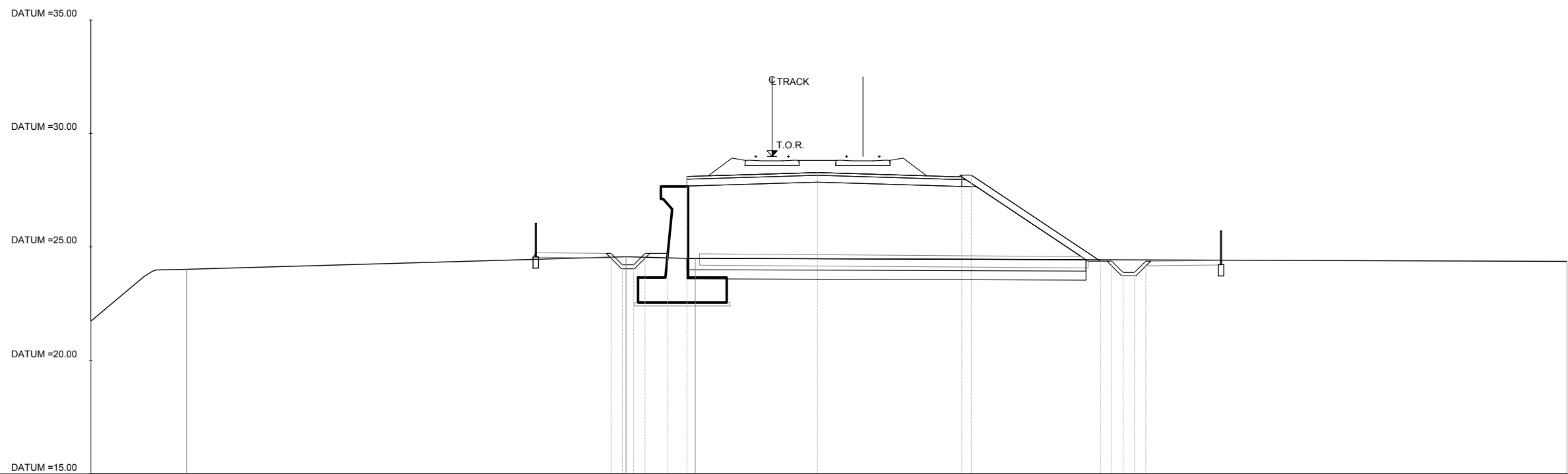
PROG 09+120.00
SEZ. RI03_34



QUOTE TERRENO	21.40	23.71	24.48	24.47		24.39			
DIST. PROGRESSIVE TERRENO	-30.00	-26.80	-12.44	-6.35		35.00			
QUOTE PROGETTO				24.66 24.16 24.16 24.66	24.66 27.70	27.88	27.69 27.77	24.33 24.33 23.83 23.83	24.33
DIST. PROGRESSIVE PROGETTO				-7.06 -6.56 -6.06 -5.56	-4.56 -3.75	2.00	8.35 8.77	13.92 14.42 14.92 15.42	15.92
DISTANZA BINARI						0.00	4.00		

AREA	
Scavo:	2.31
Rilevato:	60.41
SubBallast:	1.47
Ballast:	4.24
Inerbimento:	2.05
SuperCompattato:	3.76
Stradello:	1.27
Anticapillare:	8.51
Scotico:	8.79
Bonifica:	15.82

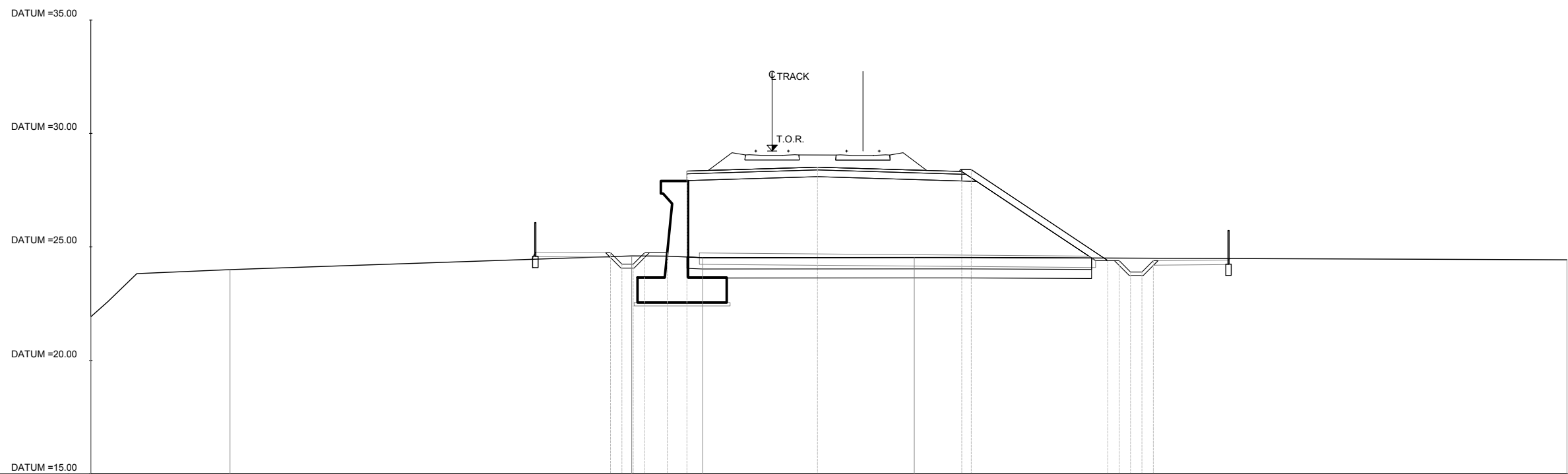
PROG 09+160.00
SEZ. RI03_36



QUOTE TERRENO	21.73	24.01	24.57	24.50		24.36
DIST. PROGRESSIVE TERRENO	-30.00	-25.78	-6.43	-3.38		35.00
QUOTE PROGETTO			24.72 24.22 24.22 24.72	24.72 28.10	28.28	28.09 28.17
DIST. PROGRESSIVE PROGETTO			-7.10 -6.59 -6.10 -5.59	-4.60 -3.75	2.00	8.35 8.77
DISTANZA BINARI					0.00	4.00
						14.46 14.96 15.46 15.96 16.46
						24.37 24.38 23.87 23.88 24.37

AREA	
Scavo:	2.66
Rilevato:	63.75
SubBallast:	1.46
Ballast:	4.24
Inerbimento:	2.16
SuperCompattato:	3.76
Stradello:	1.27
Anticapillare:	8.67
Scotico:	8.91
Bonifica:	16.04

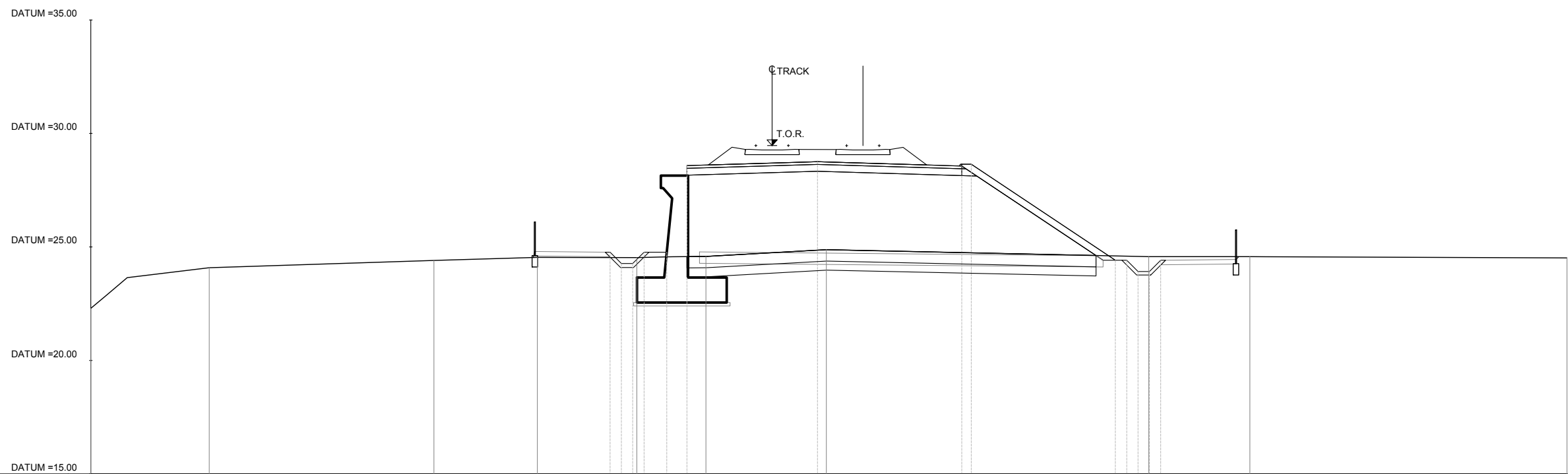
PROG 09+180.00
SEZ. RI03_37



QUOTE TERRENO	21.92	24.00	24.61	24.53	24.53	24.43	
DIST. PROGRESSIVE TERRENO	-30.00	-23.87	-6.18	-3.05	6.26	35.00	
QUOTE PROGETTO			24.74 24.24 24.24 24.74	24.74 28.34	28.51	28.33 28.41	24.40 24.39 23.89 23.90 24.39
DIST. PROGRESSIVE PROGETTO			7.12 -6.62 -6.12 -5.62	-4.62 -3.75	2.00	8.35 8.77	14.78 15.29 15.79 16.29 16.79
DISTANZA BINARI					0.00	4.00	

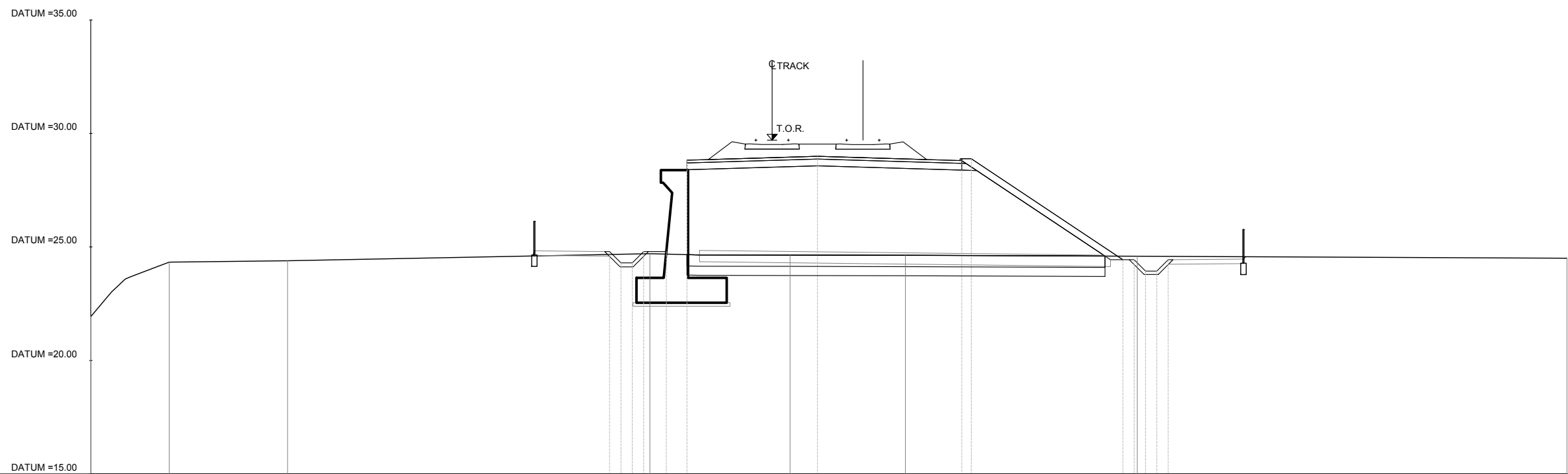
AREA	
Scavo:	2.89
Rilevato:	64.87
SubBallast:	1.46
Ballast:	4.25
Inerbimento:	2.28
SuperCompattato:	3.76
Stradello:	1.27
Anticapillare:	8.83
Scotico:	9.01
Bonifica:	16.22

PROG 09+200.00
SEZ. RI03_38



QUOTE TERRENO	22.29	24.09	24.41	24.54	24.53	24.58	24.88	24.57	24.57	24.52
DIST. PROGRESSIVE TERRENO	-30.00	-24.79	-14.89	-10.34	-5.96	-2.92	2.39	16.58	21.04	35.00
QUOTE PROGETTO					24.77 24.27 24.27 24.77	28.58	28.76	28.56 28.65	24.42 24.42 23.92 23.92	24.42
DIST. PROGRESSIVE PROGETTO					7.14 -6.64 -6.14 -5.64	-4.64 -3.75	2.00	8.35 8.77	15.11 15.61 16.11 16.61	17.11
DISTANZA BINARI							0.00	4.00		

AREA	
Scavo:	3.07
Rilevato:	69.73
SubBallast:	1.46
Ballast:	4.25
Inerbimento:	2.40
SuperCompattato:	3.76
Stradello:	1.27
Anticapillare:	8.99
Scotico:	9.20
Bonifica:	16.57

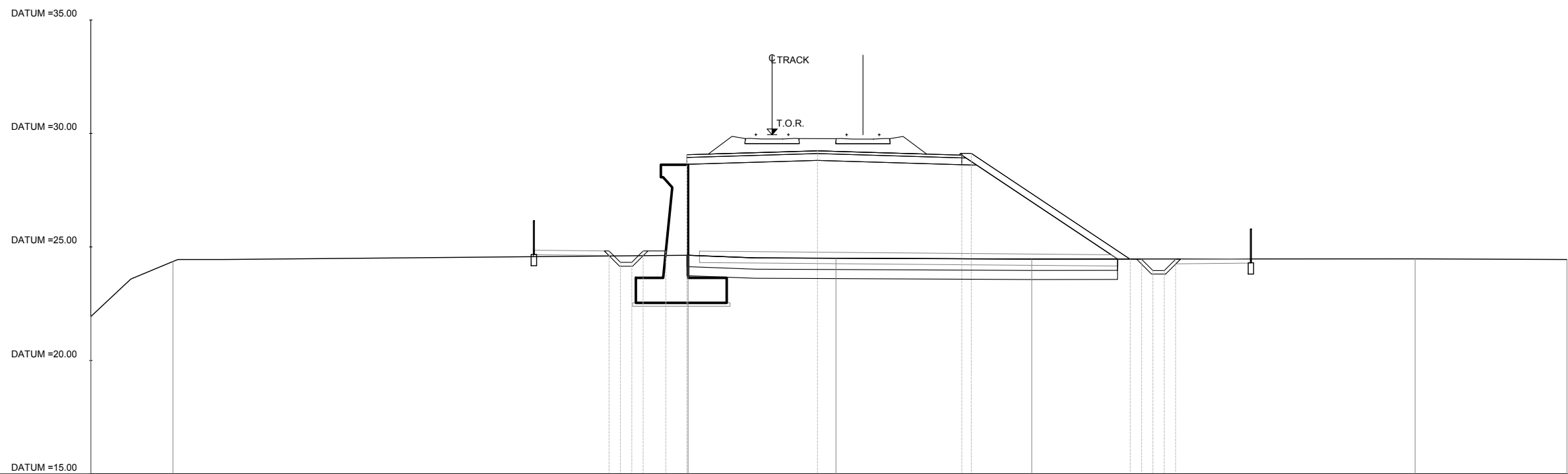


PROG 09+220.00
SEZ. RI03_39

QUOTE TERRENO	21.93	24.33	24.39	24.70	24.64	24.63	24.59	24.50
DIST. PROGRESSIVE TERRENO	-30.00	-26.55	-21.34	-5.38	0.79	5.87	16.08	35.00
QUOTE PROGETTO				24.80 24.30 24.30 24.80	24.80 28.82	28.99	28.80 28.89	24.44 24.44 23.94 23.94 24.44
DIST. PROGRESSIVE PROGETTO				-7.16 -6.66 -6.16 -5.66	-4.66 -3.75	2.00	8.35 8.77	15.44 15.94 16.44 16.94 17.44
DISTANZA BINARI					-0.00	4.00		

AREA	
Scavo:	1.97
Rilevato:	78.45
SubBallast:	1.47
Ballast:	4.25
Inerbimento:	2.52
SuperCompattato:	3.76
Stradello:	1.27
Anticapillare:	9.16
Scotico:	9.48
Bonifica:	17.07

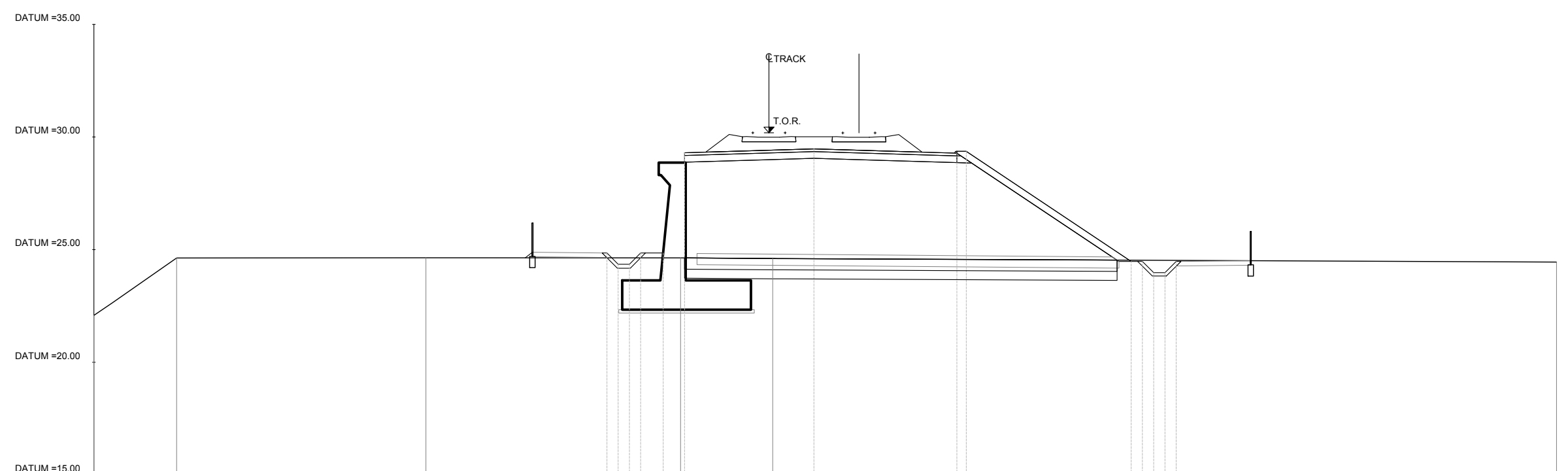
PROG 09+240.00
SEZ. RI03_40



QUOTE TERRENO	21.93	24.36		24.63	24.51	24.46		24.48	24.45
DIST. PROGRESSIVE TERRENO	-30.00	-26.39		-3.70	2.81	11.43		28.31	35.00
QUOTE PROGETTO			24.82 24.32 24.32 24.82	24.82 29.06	29.23	29.04 29.12		24.46 24.46 23.96 23.96	
DIST. PROGRESSIVE PROGETTO			-7.18 -6.68 -6.18 -5.68	-4.68 -3.75	2.00	8.35 8.77		15.77 16.27 16.77 17.27	
DISTANZA BINARI					-0.00	4.00			

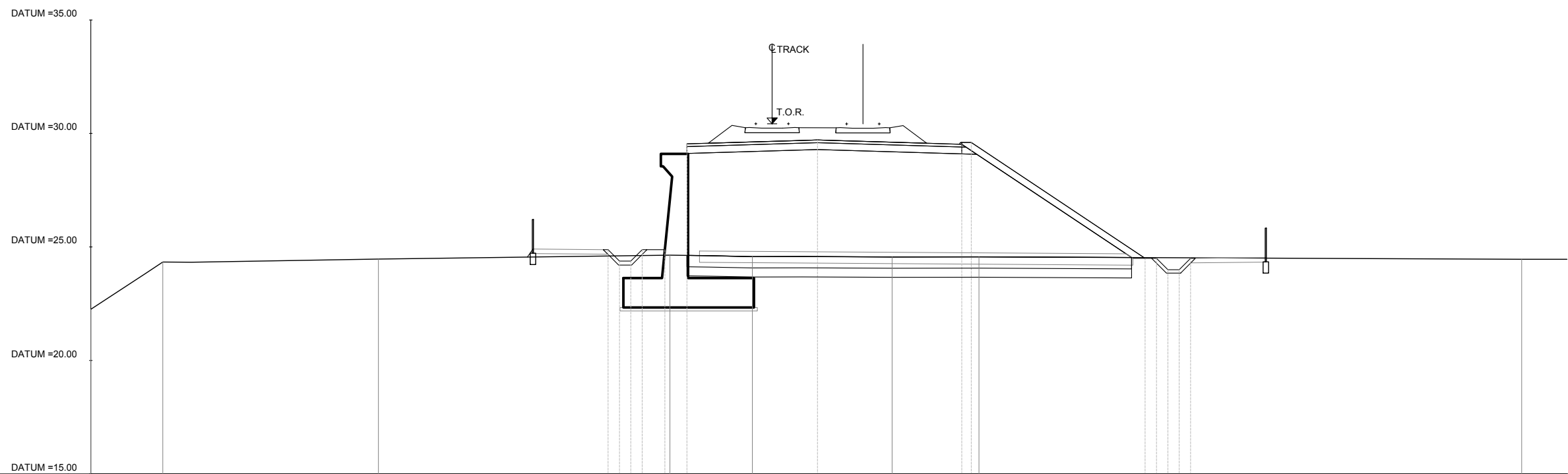
AREA	
Scavo:	2.16
Rilevato:	81.72
SubBallast:	1.46
Ballast:	4.26
Inerbimento:	2.64
SuperCompattato:	3.76
Stradello:	1.27
Anticapillare:	9.33
Scotico:	9.61
Bonifica:	17.30

PROG 09+260.00
SEZ. RI03_41



QUOTE TERRENO	22.08	24.63	24.64	24.63	24.61	24.45		
DIST. PROGRESSIVE TERRENO	-30.00	-26.32	-15.25	-3.93	0.17	35.00		
QUOTE PROGETTO				24.85 24.35 24.35 24.85	29.30	29.47	29.28 29.36	24.48 24.48 23.98 23.98
DIST. PROGRESSIVE PROGETTO				-7.20 -6.70 -6.20 -5.70	-4.70 -3.75	2.00	8.35 8.77	16.10 16.60 17.10 17.60
DISTANZA BINARI						-0.00	4.00	

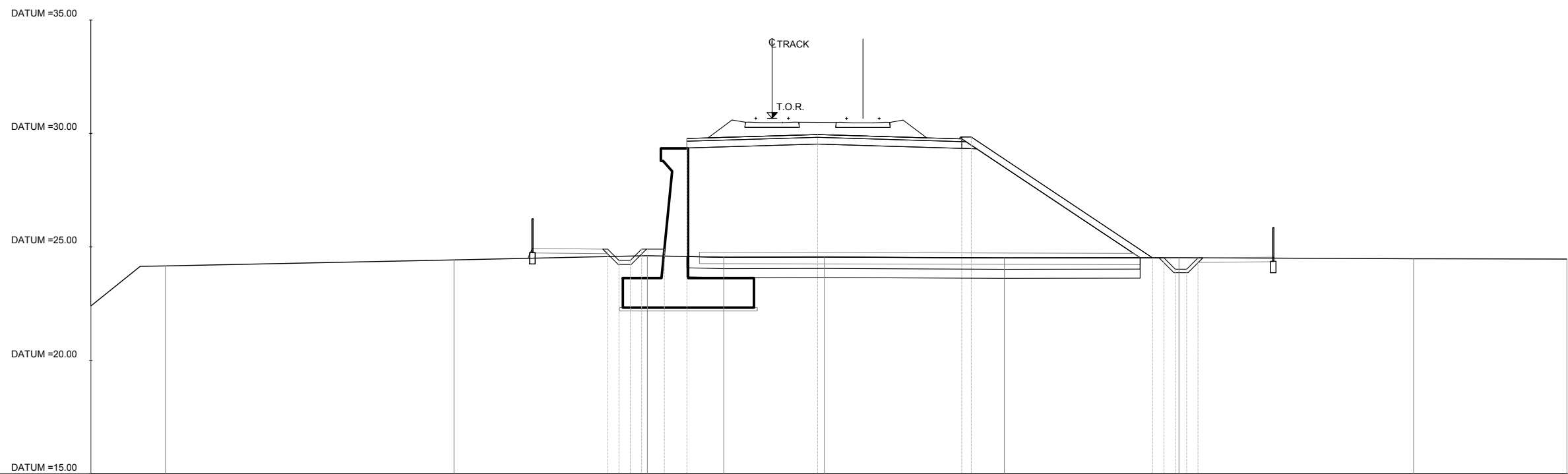
AREA	
Scavo:	1.96
Rilevato:	87.14
SubBallast:	1.46
Ballast:	4.26
Inerbimento:	2.76
SuperCompattato:	3.76
Stradello:	1.27
Anticapillare:	9.49
Scotico:	9.79
Bonifica:	17.62



PROG 09+280.00
SEZ. RI03_42

QUOTE TERRENO	22.25	24.33	24.46	24.64	24.57	24.56	24.57	24.46
DIST. PROGRESSIVE TERRENO	-30.00	-26.83	-17.34	-4.50	-0.87	5.29	9.11	33.01
QUOTE PROGETTO				24.88 24.38 24.38 24.88	24.88 29.54	29.71	29.52 29.60	24.50 24.50 24.00 24.50
DIST. PROGRESSIVE PROGETTO				-7.22 -6.72 -6.22 -5.72	-4.72 -3.75	2.00	8.35 8.77	16.43 16.93 17.43 17.93 18.43
DISTANZA BINARI					-0.00	4.00		

AREA	
Scavo:	1.76
Rilevato:	92.97
SubBallast:	1.46
Ballast:	4.26
Inerbimento:	2.88
SuperCompattato:	3.76
Stradello:	1.27
Anticapillare:	9.67
Scotico:	9.98
Bonifica:	17.96

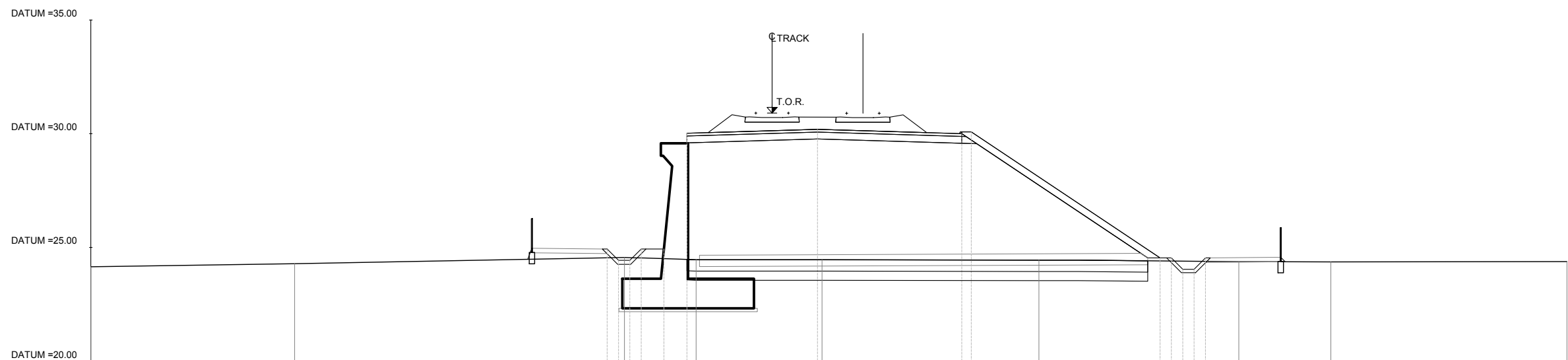


PROG 09+300.00
SEZ. RI03_43

QUOTE TERRENO	22.40	24.16	24.43	24.62	24.54	24.55	24.52	24.53	24.48	24.47
DIST. PROGRESSIVE TERRENO	-30.00	-26.71	-14.01	-5.49	-2.13	2.30	10.23	17.92	26.25	35.00
QUOTE PROGETTO				24.91 24.40 24.41 24.90	24.91 29.78	29.95	29.76 29.84	24.52 24.52 24.02 24.02		
DIST. PROGRESSIVE PROGETTO				-7.24 -6.74 -6.24 -5.74	-4.74 -3.75	2.00	8.35 8.77	16.76 17.26 17.76 18.25 18.76		
DISTANZA BINARI						0.00	4.00			

AREA	
Scavo:	0.89
Rilevato:	100.95
SubBallast:	1.46
Ballast:	4.26
Inerbimento:	2.99
SuperCompattato:	3.76
Stradello:	1.27
Anticapillare:	9.85
Scotico:	10.15
Bonifica:	18.26

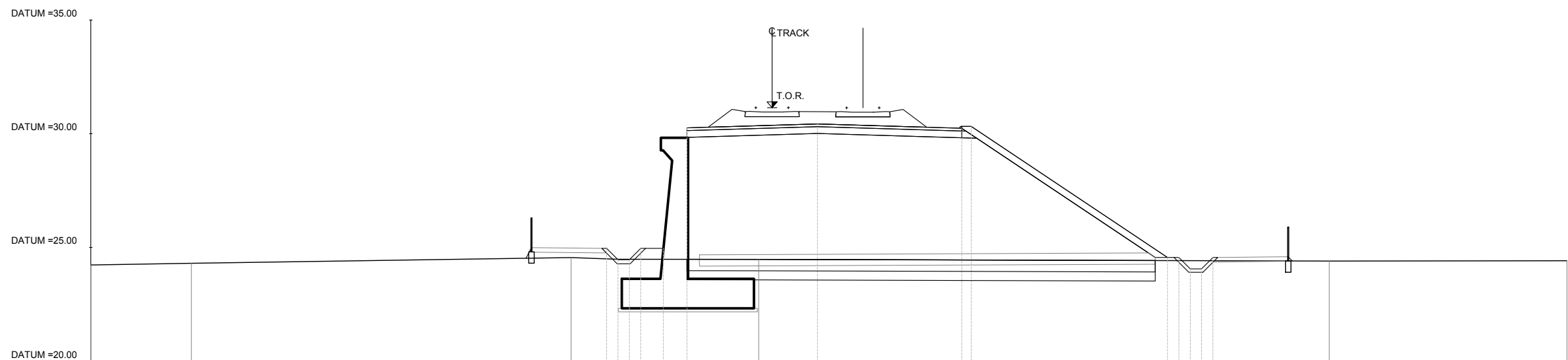
PROG 09+320.00
SEZ. RI03_44



QUOTE TERRENO	24.15	24.28	24.56	24.46	24.46	24.44	24.37	24.36	24.38
DIST. PROGRESSIVE TERRENO	-30.00	-21.03	-6.50	-3.35	2.20	11.75	20.55	24.60	35.00
QUOTE PROGETTO			24.93 24.43 24.43 24.93	24.93 30.02	30.19	30.00 30.08	24.54 24.54 24.04 24.04 24.54		
DIST. PROGRESSIVE PROGETTO			-7.26 -6.76 -6.27 -5.76	-4.76 -3.75	2.00	8.35 8.77	17.08 17.58 18.08 18.58 19.08		
DISTANZA BINARI					0.00	4.00			

AREA	
Scavo:	0.85
Rilevato:	106.17
SubBallast:	1.46
Ballast:	4.27
Inerbimento:	3.11
SuperCompattato:	3.76
Stradello:	1.27
Anticapillare:	10.02
Scotico:	10.31
Bonifica:	18.56

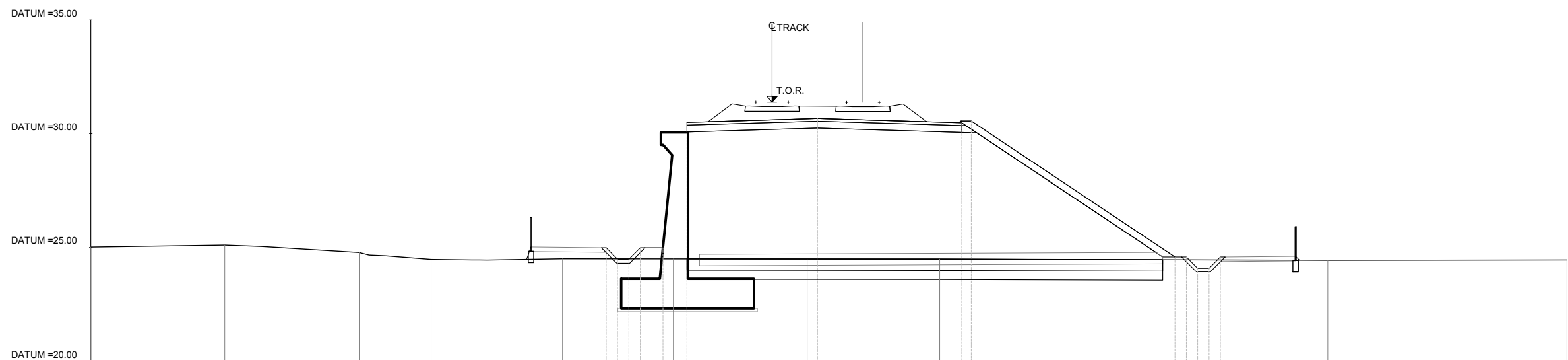
PROG 09+340.00
SEZ. RI03_45



QUOTE TERRENO	24.23	24.31	24.56	24.48	24.40	24.41		
DIST. PROGRESSIVE TERRENO	-30.00	-25.57	-8.85	-0.59	24.54	35.00		
QUOTE PROGETTO			24.96 24.96 24.46 24.46 24.96 24.96	30.26	30.43	30.24 30.32	24.56 24.56 24.06 24.06	24.56
DIST. PROGRESSIVE PROGETTO			-7.29 -6.79 -6.29 -5.79	-4.79 -3.75	2.00	8.35 8.77	17.41 17.91 18.41 18.91 19.41	
DISTANZA BINARI					0.00	4.00		

AREA	
Scavo:	0.92
Rilevato:	110.88
SubBallast:	1.47
Ballast:	4.27
Inerbimento:	3.23
SuperCompattato:	3.76
Stradello:	1.27
Anticapillare:	10.18
Scotico:	10.47
Bonifica:	18.85

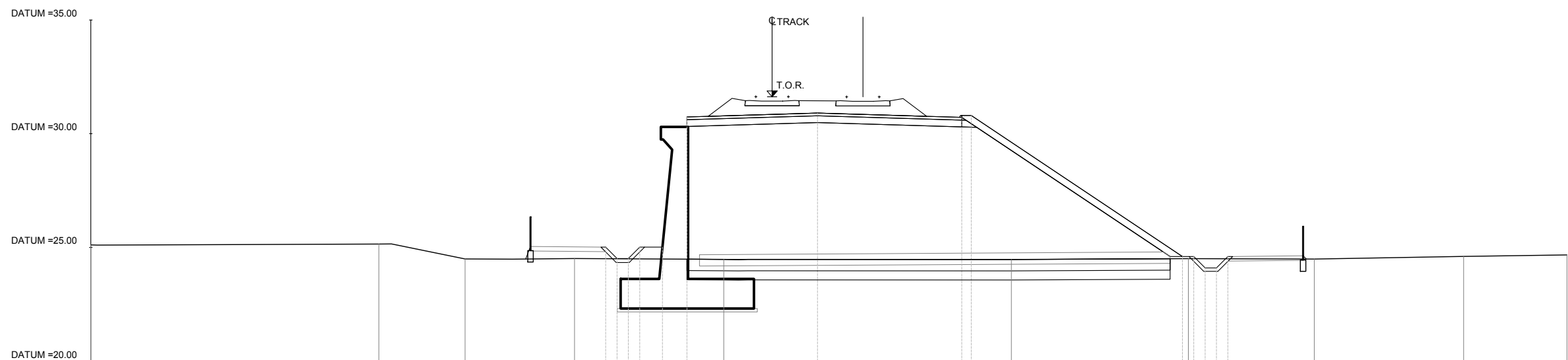
PROG 09+360.00
SEZ. RI03_46



QUOTE TERRENO	25.02	25.10	24.78	24.48	24.50	24.50	24.49	24.49	24.44	24.45
DIST. PROGRESSIVE TERRENO	-30.00	-24.10	-18.18	-15.02	-9.23	-4.35	1.54	7.38	24.47	35.00
QUOTE PROGETTO						24.99 24.49 24.99 24.99 30.50	30.67	30.48 30.56	24.58 24.58 24.08 24.08 24.58	
DIST. PROGRESSIVE PROGETTO						-7.31 -6.81 -6.31 -5.81 -4.81 -3.75	2.00	8.35 8.77	17.74 18.24 18.74 19.24 19.74	
DISTANZA BINARI							0.00	4.00		

AREA	
Scavo:	1.03
Rilevato:	116.40
SubBallast:	1.46
Ballast:	4.27
Inerbimento:	3.35
SuperCompattato:	3.76
Stradello:	1.27
Anticapillare:	10.35
Scotico:	10.64
Bonifica:	19.15

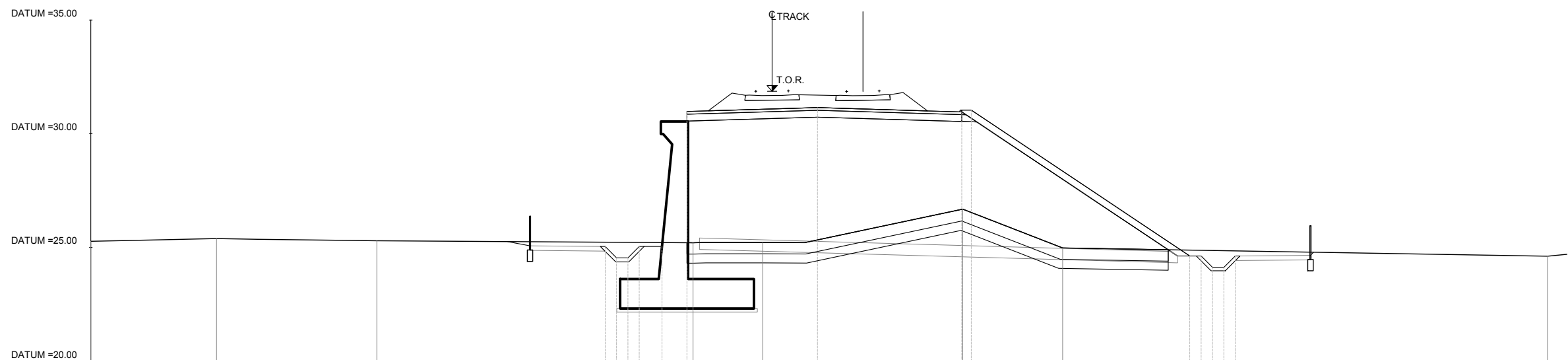
PROG 09+380.00
SEZ. RI03_47



QUOTE TERRENO	25.11	25.15	24.49	24.51	24.47	24.47	24.51	24.49	24.60	24.67
DIST. PROGRESSIVE TERRENO	-30.00	-17.32	-13.52	-8.70	-2.13	10.53	18.33	23.88	30.45	35.00
QUOTE PROGETTO				25.01 24.51 24.51 25.01	25.01 30.74	30.91	30.72 30.80	24.60 24.60 24.10 24.10	24.60	
DIST. PROGRESSIVE PROGETTO				-7.33 -6.83 -6.33 -5.83	-4.83 -3.75	2.00	8.35 8.77	18.07 18.57 19.07 19.57	20.07	
DISTANZA BINARI						-0.00	4.00			

AREA	
Scavo:	5.42
Rilevato:	94.45
SubBallast:	1.46
Ballast:	4.36
Inerbimento:	3.46
SuperCompattato:	3.76
Stradello:	1.27
Anticapillare:	10.41
Scotico:	10.83
Bonifica:	19.50

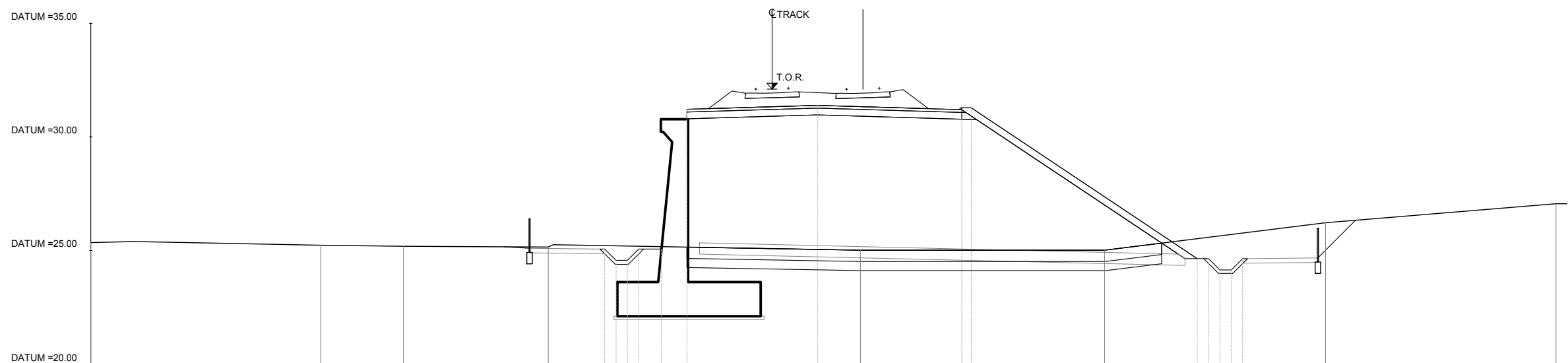
PROG 09+400.00
SEZ. RI03_48



QUOTE TERRENO	25.27	25.39	25.29	25.21	25.22	26.68	24.97	24.61
DIST. PROGRESSIVE TERRENO	-30.00	-24.47	-17.41	-3.48	-0.42	8.39	12.79	34.14
QUOTE PROGETTO				25.04	30.98	31.15	30.96	24.62
DIST. PROGRESSIVE PROGETTO				-7.35	-3.75	2.00	8.35	18.39
DISTANZA BINARI					0.00	4.00		

AREA	
Scavo:	12.58
Rilevato:	108.92
SubBallast:	1.46
Ballast:	4.48
Inerbimento:	3.58
SuperCompattato:	3.76
Stradello:	1.27
Anticapillare:	10.59
Scotico:	10.46
Bonifica:	18.83

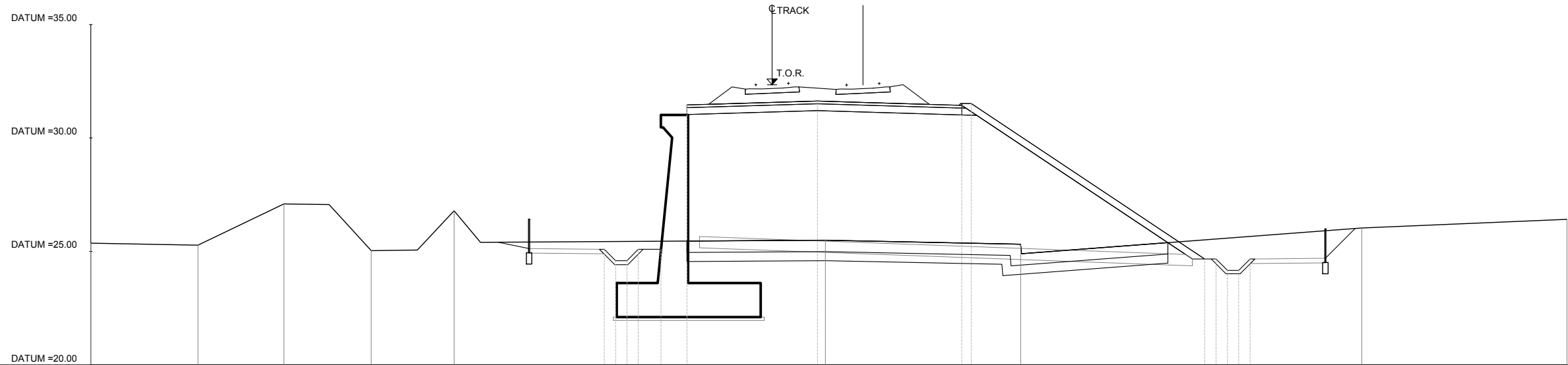
PROG 09+420.00
SEZ. RI03_49



QUOTE TERRENO	25.35	25.24	25.19	25.15	25.02	25.02	26.22	27.06
DIST. PROGRESSIVE TERRENO	-30.00	-19.88	-16.23	-9.86	3.89	14.64	24.37	34.52
QUOTE PROGETTO				25.07 24.57 24.57 25.07	25.07 31.22	31.39	31.20 31.28	24.64 24.64 24.14 24.14
DIST. PROGRESSIVE PROGETTO				-7.37 -6.87 -6.37 -5.87	-4.87 -3.75	2.00	8.35 8.77	18.72 19.22 19.72 20.22 20.72
DISTANZA BINARI					0.00	4.00		

AREA	
Scavo:	12.51
Rilevato:	108.36
SubBallast:	1.47
Ballast:	4.59
Inerbimento:	3.70
SuperCompattato:	3.76
Stradello:	1.27
Anticapillare:	10.70
Scotico:	10.80
Bonifica:	19.46

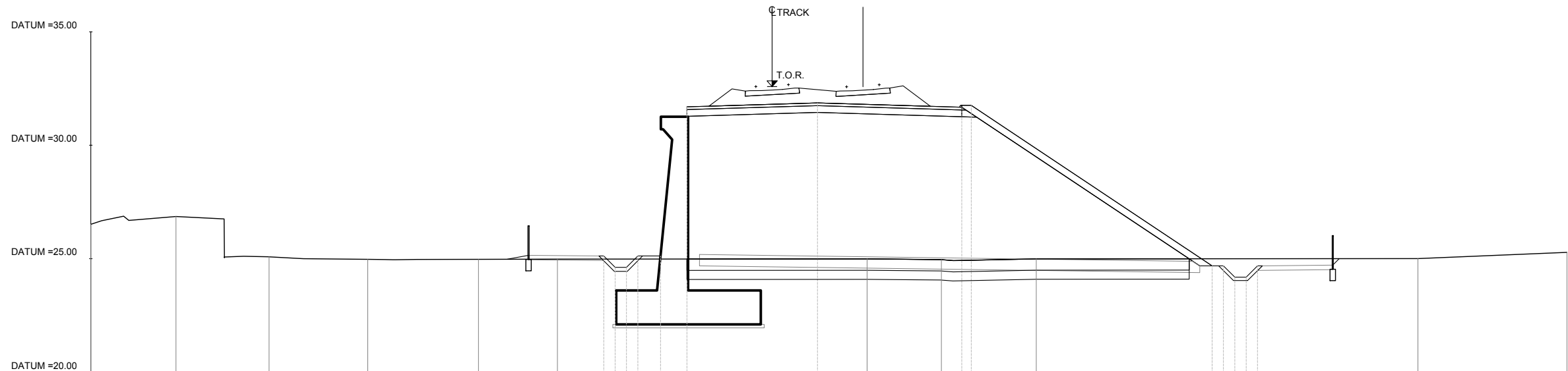
PROG 09+440.00
SEZ. RI03_50



QUOTE TERRENO	25.36	25.27	27.09	25.03	26.79		25.49	25.32		26.03	26.41									
DIST. PROGRESSIVE TERRENO	-30.00	-25.29	-21.50	-17.65	-14.00		2.35	10.95		25.97	35.00									
QUOTE PROGETTO							25.09	24.59	24.59	25.09	25.09	31.45	31.63	31.44	31.52	24.66	24.67	24.16	24.17	24.66
DIST. PROGRESSIVE PROGETTO							-7.39	-6.89	-6.39	-5.89	-4.89	-3.75	2.00	8.35	8.77	19.05	19.55	20.05	20.55	21.05
DISTANZA BINARI													-0.00	4.00						

AREA	
Scavo:	4.19
Rilevato:	122.79
SubBallast:	1.46
Ballast:	4.71
Inerbimento:	3.82
SuperCompattato:	3.76
Stradello:	1.27
Anticapillare:	10.94
Scotico:	11.06
Bonifica:	19.91

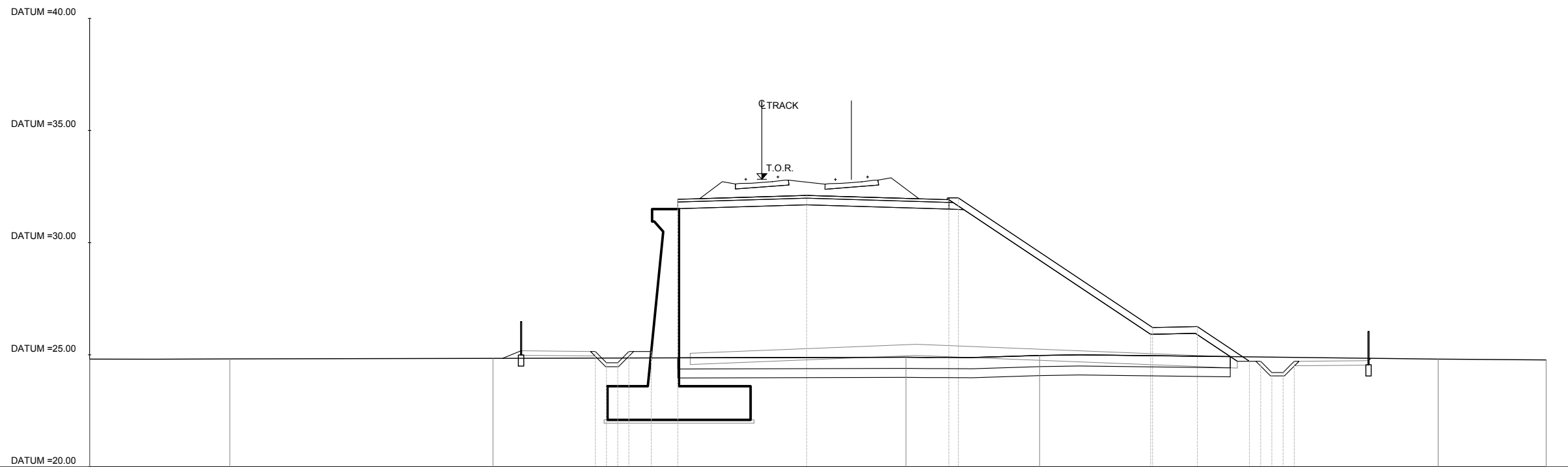
PROG 09+460.00
SEZ. RI03_51



QUOTE TERRENO	26.52	26.86	25.08	24.97	24.97	24.98		24.99	24.96	24.99		25.00	25.28							
DIST. PROGRESSIVE TERRENO	-30.00	-26.25	-22.15	-17.81	-12.93	-9.45		4.18	7.45	11.63		28.44	35.00							
QUOTE PROGETTO							25.12	24.62	24.62	25.12	25.12	31.69	31.87	31.68	31.76	24.69	24.69	24.19	24.19	24.69
DIST. PROGRESSIVE PROGETTO							-7.41	-6.91	-6.41	-5.91	-4.91	-3.75	2.00	8.35	8.77	19.37	19.88	20.37	20.87	21.38
DISTANZA BINARI													-0.00	4.00						

AREA	
Scavo:	2.85
Rilevato:	135.29
SubBallast:	1.46
Ballast:	4.82
Inerbimento:	4.56
SuperCompattato:	3.76
Stradello:	1.27
Anticapillare:	12.10
Scotico:	12.33
Bonifica:	22.19

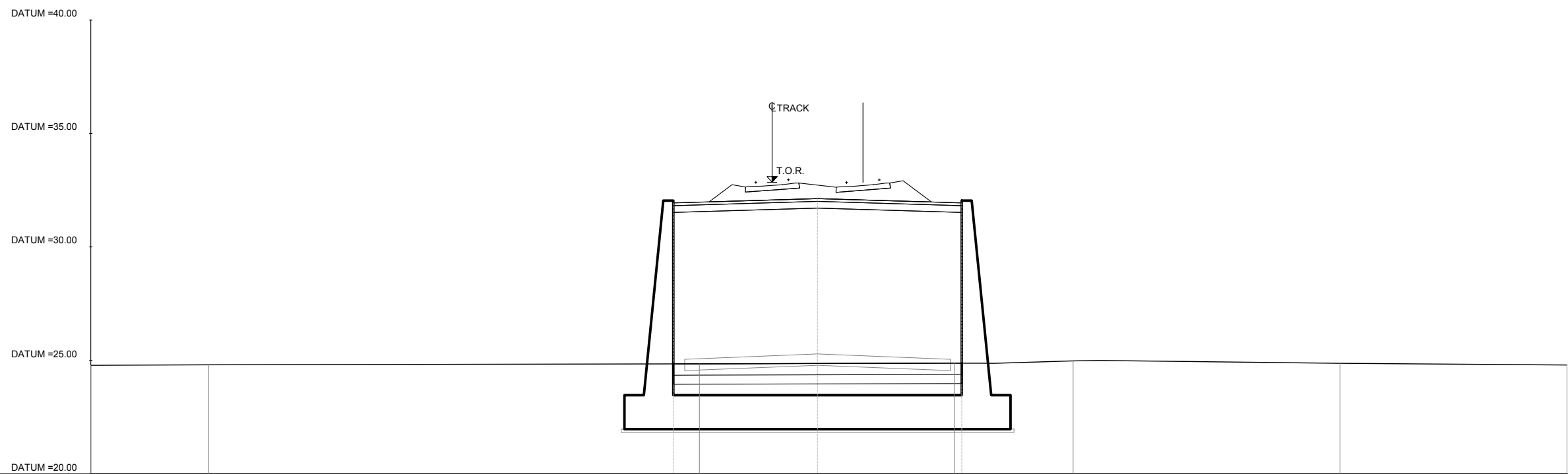
PROG 09+480.00
SEZ. RI03_52



QUOTE TERRENO	24.81	24.82	24.84	24.89	24.97	24.81	24.77
DIST. PROGRESSIVE TERRENO	-30.00	-23.74	-12.00	6.43	12.40	30.18	35.00
QUOTE PROGETTO				25.15 24.65 24.65 25.15 25.15 31.93	32.11	31.92 32.00	26.92 26.26 24.71 24.71 24.21 24.21 24.71
DIST. PROGRESSIVE PROGETTO				-7.43 -6.93 -6.43 -5.93 -4.93 -3.75	2.00	8.95 8.77	17.45 19.44 21.76 22.26 22.76 23.26 23.76
DISTANZA BINARI				-0.00	4.00		

AREA	
Scavo:	0.00
Rilevato:	92.05
SubBallast:	1.53
Ballast:	4.83
Inerbimento:	0.00
SuperCompattato:	3.81
Stradello:	0.00
Anticapillare:	5.85
Scotico:	6.35
Bonifica:	11.43

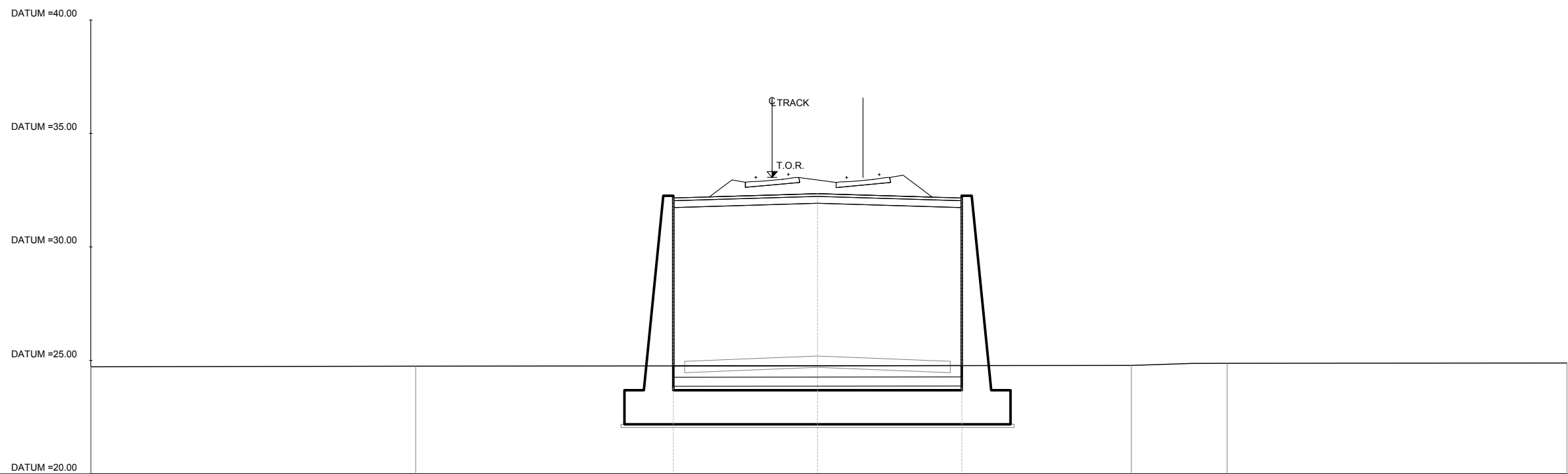
PROG 09+482.00
SEZ. RI03_53



QUOTE TERRENO	24.79	24.81	24.85	24.88	24.98	24.87	24.80
DIST. PROGRESSIVE TERRENO	-30.00	-24.81	-3.20	8.02	13.26	25.01	35.00
QUOTE PROGETTO			31.94	32.13	31.94		
DIST. PROGRESSIVE PROGETTO			-4.35	2.00	8.35		
DISTANZA BINARI				-0.00	4.00		

AREA	
Scavo:	0.00
Rilevato:	96.05
SubBallast:	1.52
Ballast:	4.94
Inerbimento:	0.00
SuperCompattato:	3.81
Stradello:	0.00
Anticapillare:	5.85
Scotico:	6.35
Bonifica:	11.43

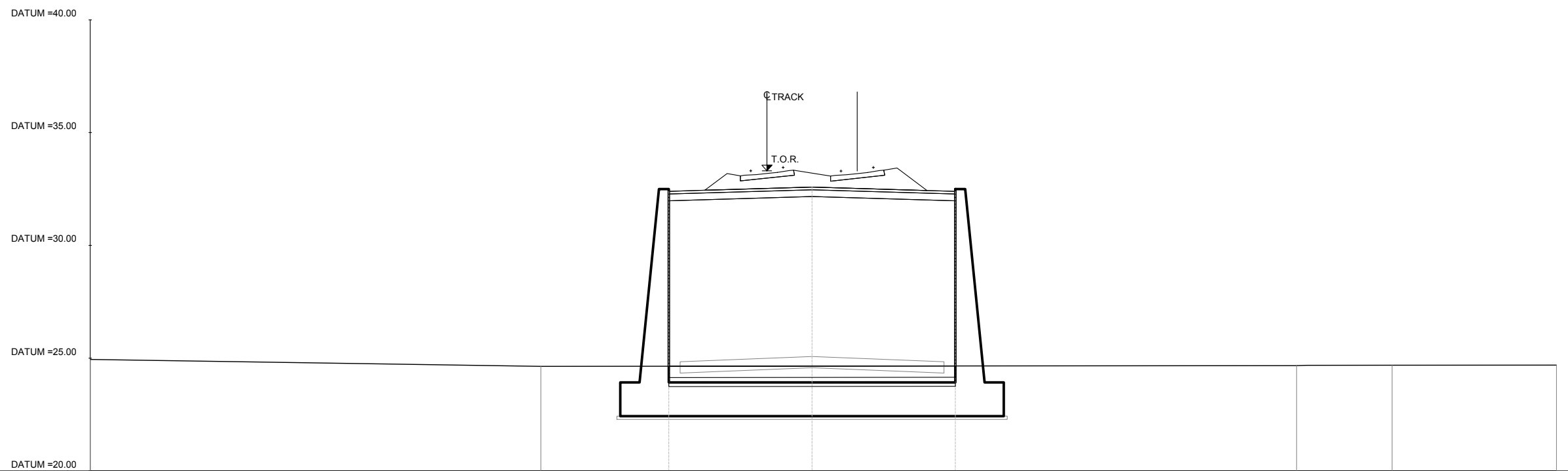
PROG 09+500.00
SEZ. RI03_54



QUOTE TERRENO	24.72	24.75			24.78	24.87	24.89
DIST. PROGRESSIVE TERRENO	-30.00	-15.70			15.82	20.03	35.00
QUOTE PROGETTO			32.16	32.35	32.16		
DIST. PROGRESSIVE PROGETTO			-4.35	2.00	8.35		
DISTANZA BINARI				0.00	4.00		

AREA	
Scavo:	0.00
Rilevato:	100.64
SubBallast:	1.52
Ballast:	5.06
Inerbimento:	0.00
SuperCompattato:	3.81
Stradello:	0.00
Anticapillare:	5.85
Scotico:	6.35
Bonifica:	11.43

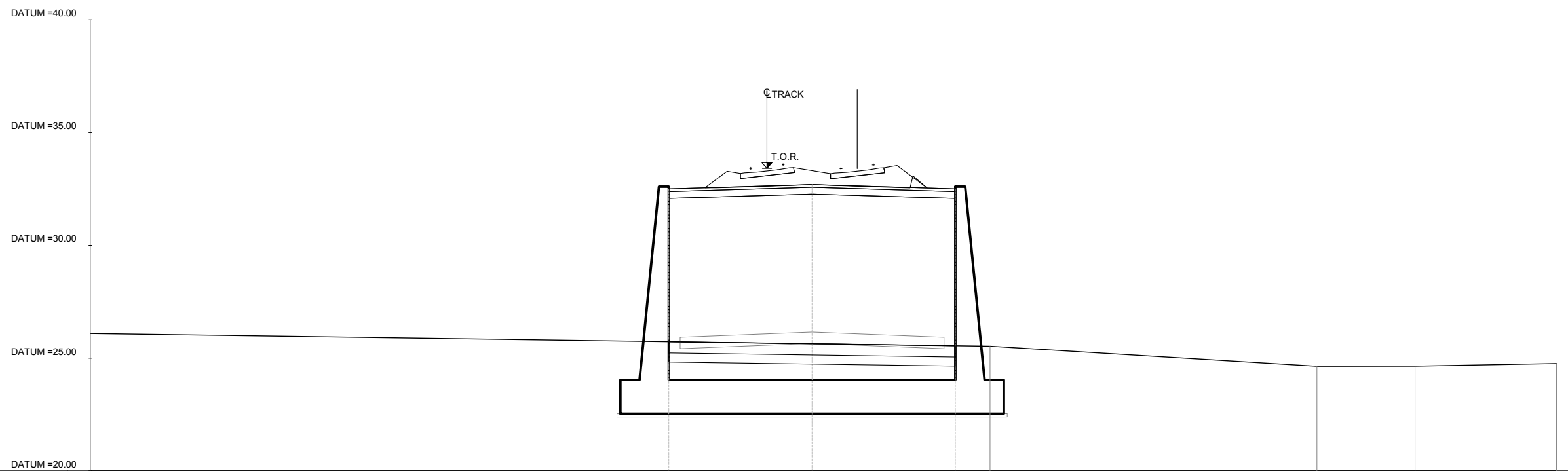
PROG 09+520.00
SEZ. RI03_55



QUOTE TERRENO	24.94	24.64	24.67	24.69	24.69
DIST. PROGRESSIVE TERRENO	-30.00	-10.02	23.48	27.71	35.00
QUOTE PROGETTO		32.40	32.59	32.40	
DIST.PROGRESSIVE PROGETTO		-4.35	2.00	8.35	
DISTANZA BINARI		-0.00	4.00		

AREA	
Scavo:	0.00
Rilevato:	89.39
SubBallast:	1.52
Ballast:	5.08
Inerbimento:	0.00
SuperCompattato:	3.81
Stradello:	0.00
Anticapillare:	5.85
Scotico:	6.35
Bonifica:	11.43

PROG 09+529.00
SEZ. RI03_56



QUOTE TERRENO	26.09	25.53	24.64	24.65	24.76
DIST. PROGRESSIVE TERRENO	-30.00	9.89	24.38	28.73	35.00
QUOTE PROGETTO	32.50	32.69	32.50		
DIST.PROGRESSIVE PROGETTO	-4.35	2.00	8.35		
DISTANZA BINARI		0.00	4.00		