

COMMITTENTE:



DIREZIONE LAVORI:



APPALTATORE:

MANDATARIA:



MANDANTE:



PROGETTAZIONE:

MANDATARIA:



MANDANTI:



PROGETTO ESECUTIVO

LINEA FERROVIARIA NAPOLI - BARI, TRATTA NAPOLI-CANCELLO, IN VARIANTE TRA LE PK 0+000 E PK 15+585, INCLUSE LE OPERE ACCESSORIE, NELL'AMBITO DEGLI INTERVENTI DI CUI AL D.L. 133/2014, CONVERTITO IN LEGGE 164 / 2014

RILEVATI

RI04BIS - RACCORDO INDUSTRIALE ACERRA

Sezioni trasversali

APPALTATORE	PROGETTAZIONE
DIRETTORE TECNICO Ing. M. PANISI	DIRETTORE DELLA PROGETTAZIONE Ing. A. CHECCHI

COMMESSA	LOTTO	FASE	ENTE	TIPO DOC.	OPERA/DISCIPLINA	PROGR.	REV.	SCALA:
IF1M	00	E	ZZ	W9	RI04B0	001	B	1:200

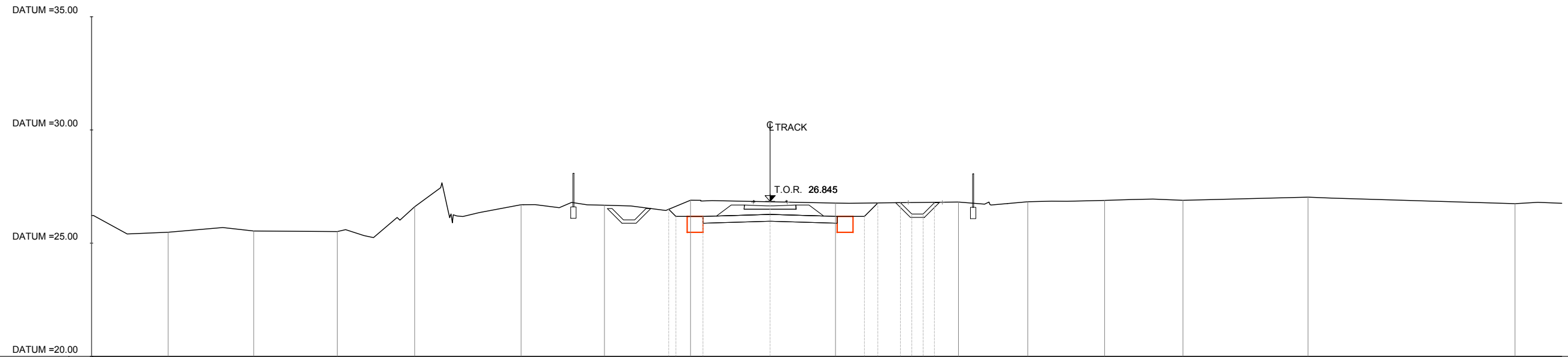
Rev.	Descrizione	Redatto	Data	Verificato	Data	Approvato	Data	Autorizzato Data
A	EMISSIONE	FRANCHINI	14/06/2018	CERAUDO	15/06/2018	PIAZZA	15/06/2018	LACOPO
B	EMISSIONE PER RDV	FRANCHINI	10/09/18	CERAUDO	11/09/18	PIAZZA	11/09/18	
								12/09/18

File:IF1M.0.0.E.ZZ.W9.RI.04.B.0.001.B.DWG

n. Elab.:

AREA	
Scavo:	9.82
Rilevato:	0.00
Ballast:	1.40
Inerbimento:	0.00
SuperCompattato:	1.78
Anticapillare:	0.00
Scotico:	0.00
Bonifica:	0.00

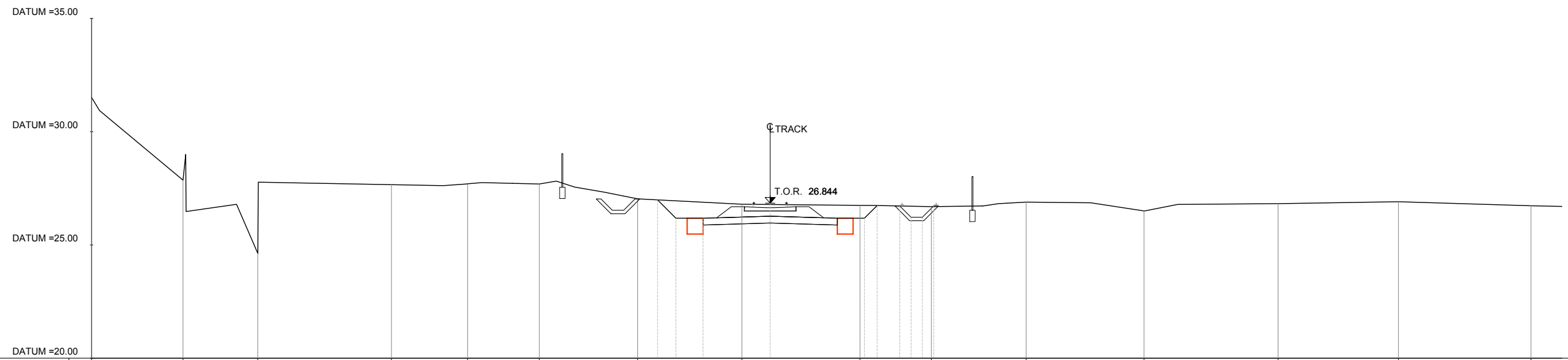
PROG 00+035.00
SEZ. RI04B_1



QUOTE TERRENO	26.21	25.48	25.54	25.51	26.61	26.70	26.68	26.90	26.77	26.82	26.83	26.89	26.89	27.03	26.75
DIST. PROGRESSIVE TERRENO	-30.00	-26.61	-22.83	-19.13	-15.72	-11.01	-7.33	-3.52	2.89	8.33	11.39	14.79	18.25	23.78	32.93
QUOTE PROGETTO								26.58	26.18	26.84	26.18	26.78	26.79	26.29	26.79
DIST. PROGRESSIVE PROGETTO								-4.49	-2.97	0.00	4.17	4.76	5.76	6.26	6.76
DISTANZA BINARI										0.00					

AREA	
Scavo:	10.18
Rilevato:	0.00
Ballast:	1.40
Inerbimento:	0.00
SuperCompattato:	1.78
Anticapillare:	0.00
Scotico:	0.00
Bonifica:	0.00

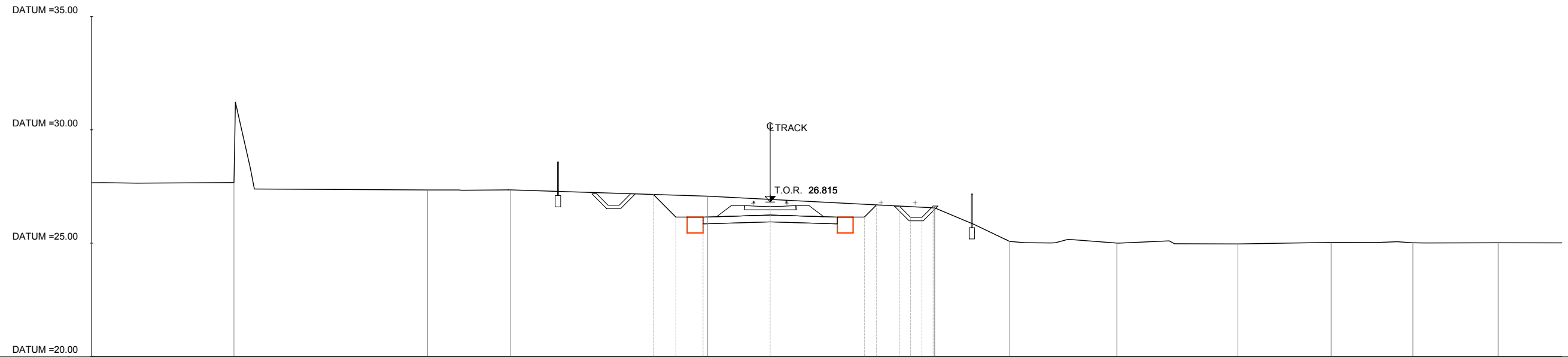
PROG 00+040.00
SEZ. RI04B_2



QUOTE TERRENO	31.51	27.86	24.62	27.66	27.70	27.69	27.03	26.80	26.75	26.69	26.89	26.50	26.82	26.91	26.73
DIST. PROGRESSIVE TERRENO	-30.00	-25.95	-22.65	-16.74	-13.38	-10.20	-5.86	-1.25	3.97	7.12	11.31	16.53	22.45	27.77	33.64
QUOTE PROGETTO							26.99	26.18	26.84	26.18	26.74	26.72	26.22	26.72	
DIST. PROGRESSIVE PROGETTO							-4.98	-4.17	-2.97	0.00	4.17	4.73	5.73	6.23	7.23
DISTANZA BINARI									0.00						

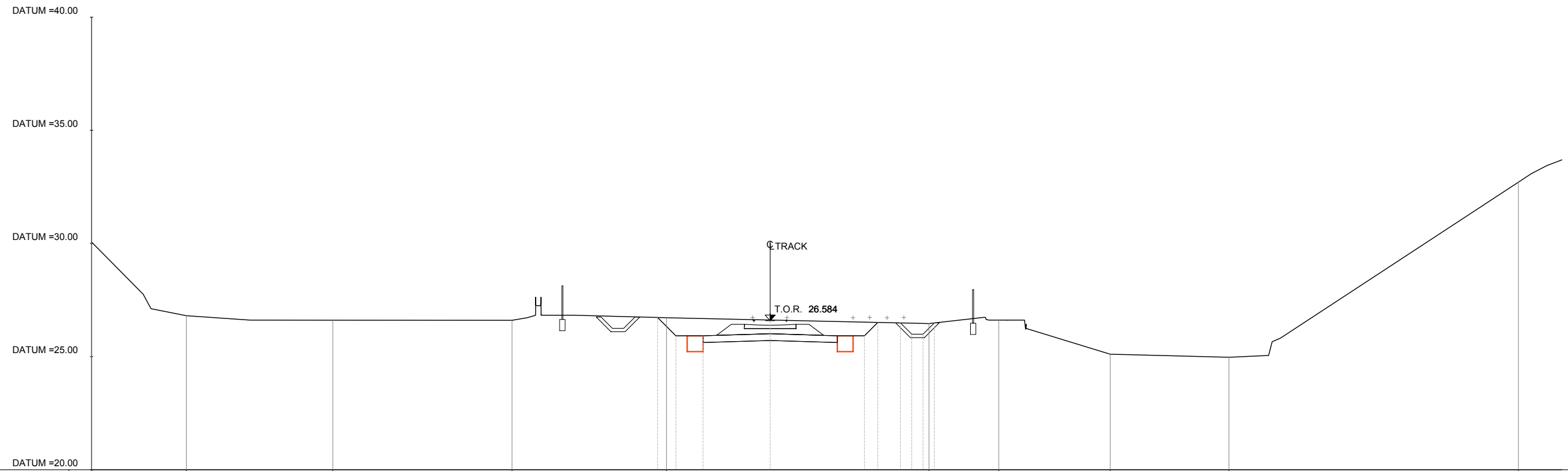
AREA	
Scavo:	11.27
Rilevato:	0.00
Ballast:	1.40
Inerbimento:	0.00
SuperCompattato:	1.78
Anticapillare:	0.00
Scotico:	0.00
Bonifica:	0.00

PROG 00+060.00
SEZ. RI04B_3



QUOTE TERRENO	27.67	27.67	27.35	27.35	27.07	26.55	25.07	25.00	24.97	25.03	25.01	25.02
DIST. PROGRESSIVE TERRENO	-30.00	-23.70	-15.15	-11.49	-2.76	7.28	10.59	15.33	20.68	24.80	28.41	32.18
QUOTE PROGETTO					27.15	26.15	26.81					
DIST. PROGRESSIVE PROGETTO					-5.17	-4.17	-2.97	0.00	4.17	4.71	5.71	6.21
DISTANZA BINARI							0.00					

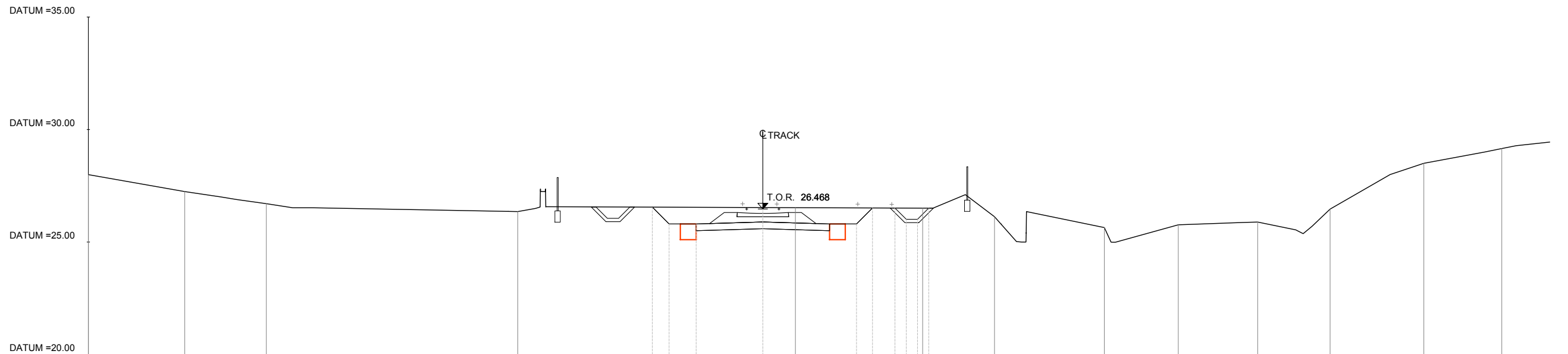
AREA	
Scavo:	10.48
Rilevato:	0.00
Ballast:	1.40
Inerbimento:	0.00
SuperCompattato:	1.78
Anticappare:	0.00
Scotico:	0.00
Bonifica:	0.00



PROG 00+100.00
SEZ. RI04B_5

QUOTE TERRENO	30.06	26.80	26.61	26.60	26.72	26.58	26.46	26.61	25.11	24.97	32.71			
DIST. PROGRESSIVE TERRENO	-30.00	-25.81	-19.34	-11.41	-4.58		7.02	10.11	15.03	20.28	33.08			
QUOTE PROGETTO					26.73	25.92	25.92	26.58	25.92	26.51	26.49	25.99	25.99	26.49
DIST. PROGRESSIVE PROGETTO					-4.97	-4.17	-2.97	0.00	4.17	4.76	5.76	6.26	6.76	7.26
DISTANZA BINARI							0.00							

AREA	
Scavo:	10.77
Rilevato:	0.00
Ballast:	1.40
Inerbimento:	0.00
SuperCompattato:	1.78
Anticapillare:	0.00
Scotico:	0.00
Bonifica:	0.00

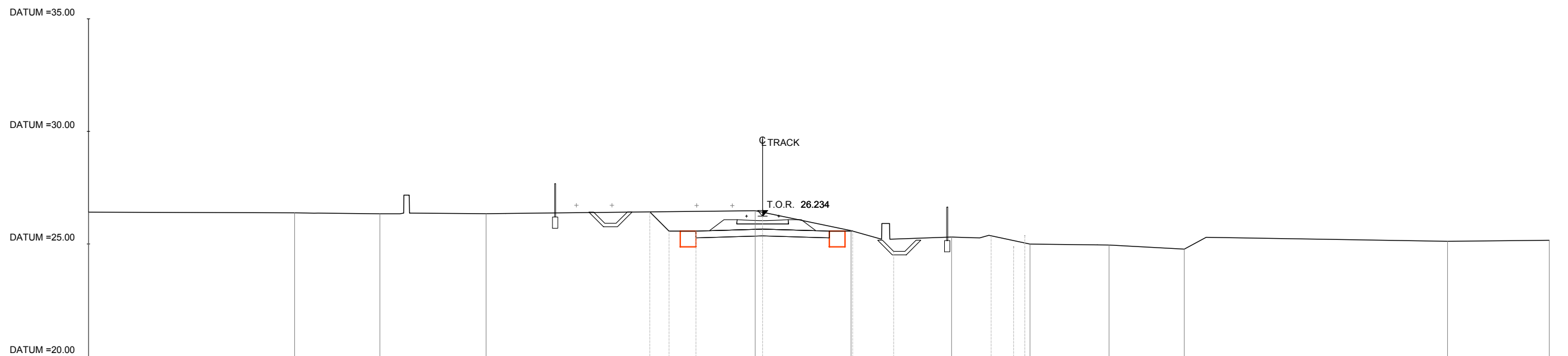


PROG 00+120.00
SEZ. RI04B_6

QUOTE TERRENO	28.00	27.24	26.70	26.35		26.53	26.51	26.12	25.64	25.76	25.89	26.46	28.50	29.15	
DIST. PROGRESSIVE TERRENO	-30.00	-25.71	-22.08	-10.90		1.45	7.11	10.30	15.19	18.48	22.01	25.23	29.40	32.87	
QUOTE PROGETTO						26.55	25.80	25.80	26.47	25.80	26.51	26.51	26.01	26.01	26.51
DIST. PROGRESSIVE PROGETTO						-4.92	-4.17	-2.97	0.00	4.17	4.88	5.88	6.38	6.88	7.38
DISTANZA BINARI									0.00						

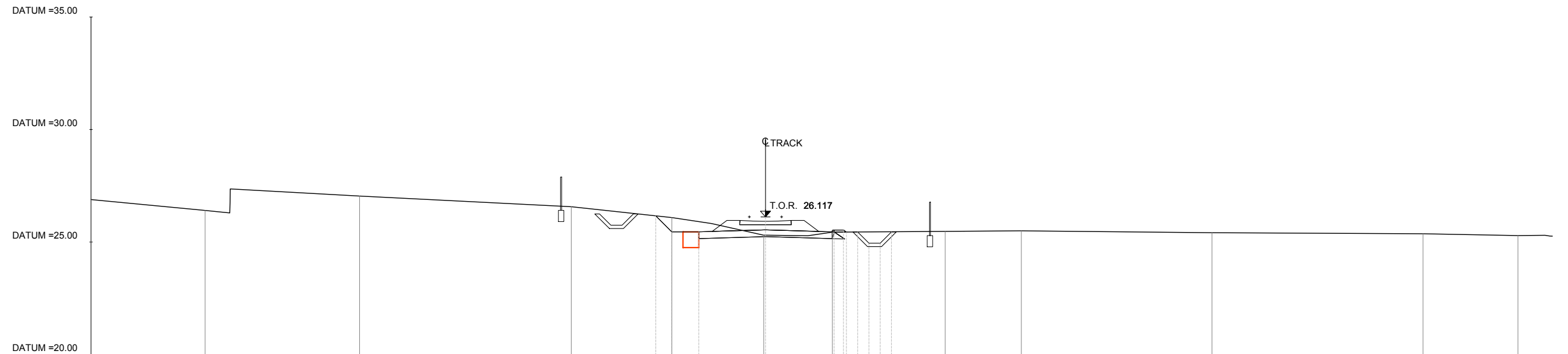
AREA	
Scavo:	10.24
Rilevato:	0.00
Ballast:	1.40
Inerbimento:	0.00
SuperCompattato:	1.78
Anticapillare:	0.00
Scotico:	0.00
Bonifica:	0.00

PROG 00+160.00
SEZ. RI04B_8



QUOTE TERRENO	26.41	26.38	26.34	26.34	26.47	25.59	25.31	24.99	24.95	24.77	25.12	25.16
DIST. PROGRESSIVE TERRENO	-30.00	-20.82	-17.03	-12.31	-0.33	3.93	8.41	11.89	15.41	18.76	30.48	35.00
QUOTE PROGETTO					26.23	25.57	24.67	25.36	24.86	25.36		
DIST. PROGRESSIVE PROGETTO					-5.02	-4.17	-2.97	0.00	4.01	5.83	10.17	11.17
DISTANZA BINARI					0.00							

AREA	
Scavo:	4.91
Rilevato:	0.00
Ballast:	1.40
Inerbimento:	0.04
SuperCompattato:	1.88
Anticappare:	0.00
Scotico:	0.00
Bonifica:	0.00

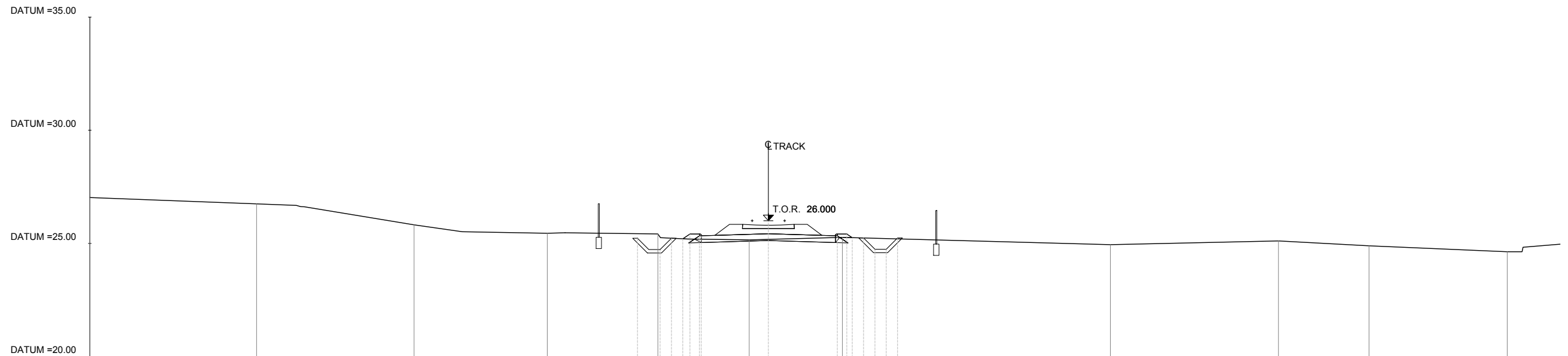


PROG 00+180.00
SEZ. RI04B_9

QUOTE TERRENO	26.88	26.41	27.04	26.57	26.09	25.30	25.44	25.47	25.50	25.41	25.36	25.29
DIST. PROGRESSIVE TERRENO	-30.00	-24.92	-18.05	-8.64	-4.16	-0.08	2.97	7.99	11.38	19.86	29.24	33.47
QUOTE PROGETTO					26.16 25.45	26.12	25.45 25.44 25.45					
DIST.PROGRESSIVE PROGETTO					-4.88 -4.17	0.00	3.05 3.60					
DISTANZA BINARI						0.00						

AREA	
Scavo:	2.67
Rilevato:	0.00
Ballast:	1.40
Inerbimento:	0.19
SuperCompattato:	1.97
Anticapillare:	0.00
Scotico:	0.00
Bonifica:	0.00

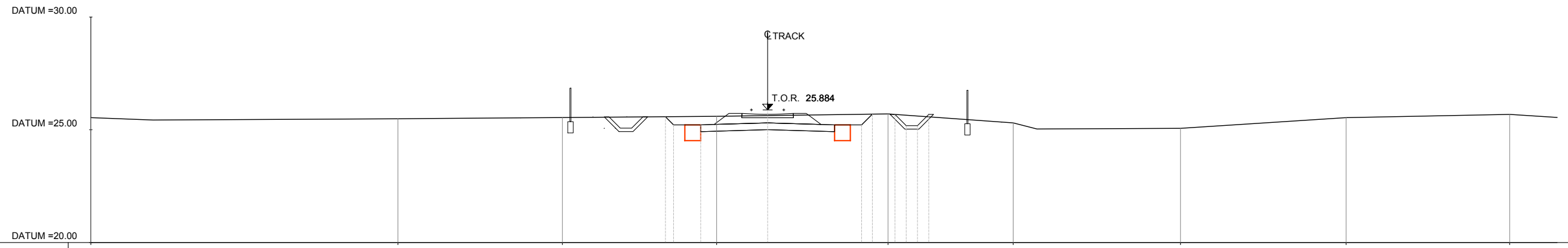
PROG 00+200.00
SEZ. RI04B_10



QUOTE TERRENO	27.03	26.75	25.82	25.45	25.42	25.15	25.26	24.94	25.11	24.89	24.63
DIST. PROGRESSIVE TERRENO	-30.00	-22.63	-15.66	-9.78	-4.89	-0.85	3.27	15.12	22.55	26.56	32.66
QUOTE PROGETTO					25.23	24.73	25.23	25.33			
DIST. PROGRESSIVE PROGETTO					-5.79	-4.79	-4.29	-3.79	-3.29	-2.79	-2.29
DISTANZA BINARI						0.00					

AREA	
Scavo:	7.65
Rilevato:	0.00
Ballast:	1.40
Inerbimento:	0.00
SuperCompattato:	1.78
Anticapillare:	0.00
Scotico:	0.00
Bonifica:	0.00

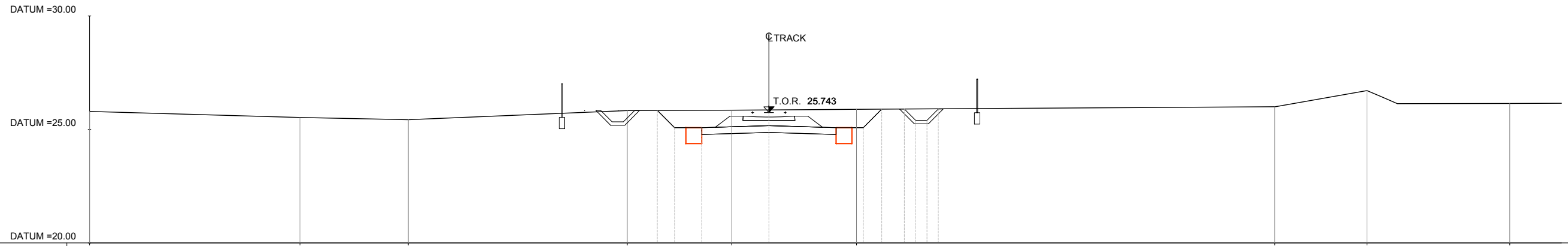
PROG 00+220.00
SEZ. RI04B_11



QUOTE TERRENO	25.54	25.49	25.54	25.60	25.70	25.31	25.06	25.54	25.68
DIST. PROGRESSIVE TERRENO	-30.00	-16.38	-9.09	-2.26	5.34	10.88	18.30	25.64	32.89
QUOTE PROGETTO				25.58 25.22	25.22	25.88	25.22 25.69	25.68 25.18 25.18	25.68
DIST. PROGRESSIVE PROGETTO				-4.53 -4.17	-2.97	0.00	4.17 4.64	5.64 6.14 6.64	7.14
DISTANZA BINARI						0.00			

AREA	
Scavo:	11.23
Rilevato:	0.00
Ballast:	1.40
Inerbimento:	0.00
SuperCompattato:	1.78
Anticapillare:	0.00
Scotico:	0.00
Bonifica:	0.00

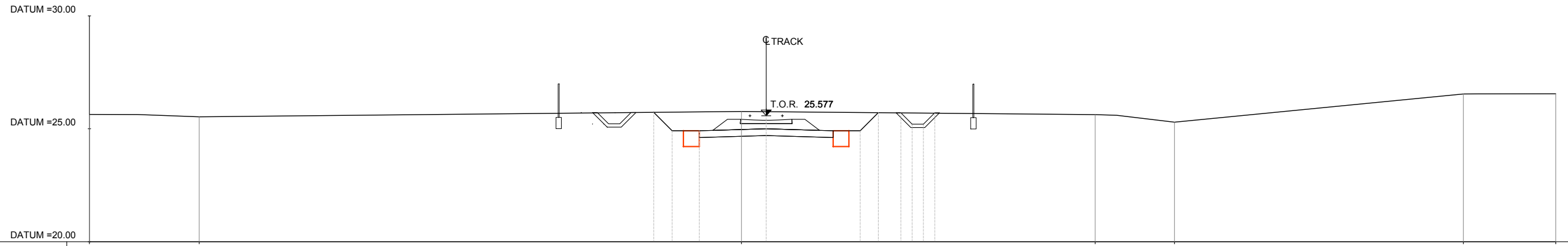
PROG 00+244.00
SEZ. RI04B_13



QUOTE TERRENO	25.79	25.52	25.43	25.83	25.85	25.89	26.00	26.71	26.14				
DIST. PROGRESSIVE TERRENO	-30.00	-20.71	-15.93	-6.25	-1.64	3.87	22.34	26.41	32.72				
QUOTE PROGETTO				25.84	25.08	25.08	25.74	25.08	25.89	25.90	25.40	25.40	25.90
DIST. PROGRESSIVE PROGETTO				-4.93	-4.17	-2.97	0.00	4.17	4.98	5.98	6.48	6.98	7.48
DISTANZA BINARI						0.00							

AREA	
Scavo:	11.76
Rilevato:	0.00
Ballast:	1.40
Inerbimento:	0.00
SuperCompattato:	1.78
Anticapillare:	0.00
Scotico:	0.00
Bonifica:	0.00

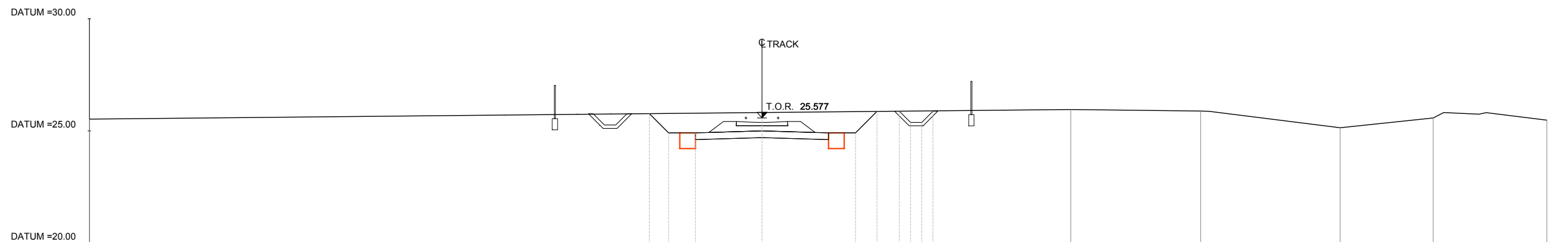
PROG 00+300.00
SEZ. RI04B_15



QUOTE TERRENO	25.64	25.53		25.77		25.63	25.29		26.54	26.55				
DIST. PROGRESSIVE TERRENO	-30.00	-25.13		-1.10		14.59	18.10		30.90	35.00				
QUOTE PROGETTO				25.73	24.91	24.91	25.58		24.91	25.72	25.71	25.21	25.21	25.71
DIST. PROGRESSIVE PROGETTO				-4.99	-4.17	-2.97	0.00		4.17	4.97	5.97	6.47	6.97	7.47
DISTANZA BINARI							0.00							

AREA	
Scavo:	12.53
Rilevato:	0.00
Ballast:	1.40
Inerbimento:	0.00
SuperCompattato:	1.78
Anticapillare:	0.00
Scotico:	0.00
Bonifica:	0.00

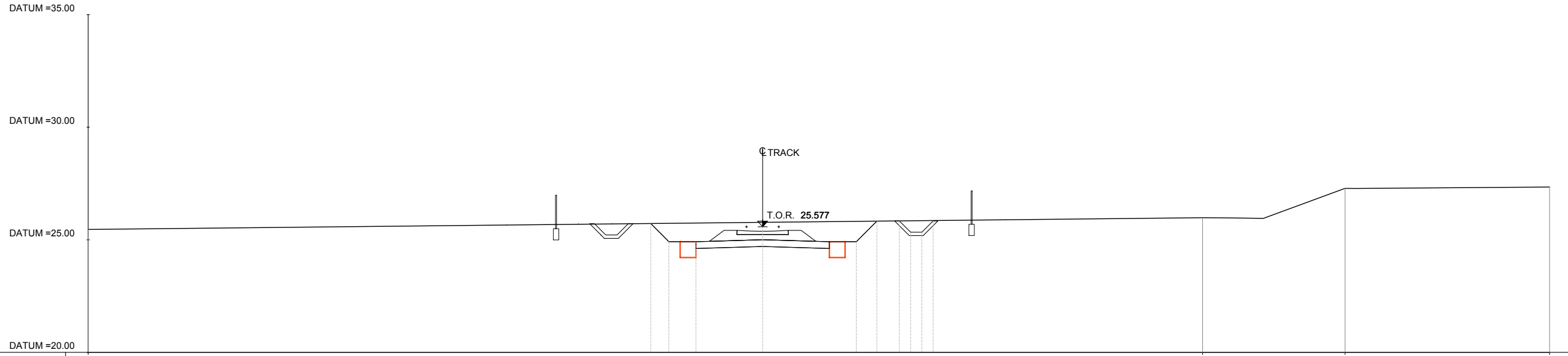
PROG 00+320.00
SEZ. RI04B_16



QUOTE TERRENO	25.53						25.95	25.89	25.14	25.58	25.48	
DIST. PROGRESSIVE TERRENO	-30.00						13.77	19.56	25.79	29.93	35.00	
QUOTE PROGETTO			25.77	24.91	24.91	25.58	24.91	25.87	25.88	25.38	25.38	25.88
DIST. PROGRESSIVE PROGETTO			-5.03	-4.17	-2.97	0.00	4.17	5.12	6.12	6.62	7.12	7.62
DISTANZA BINARI						0.00						

AREA	
Scavo:	12.07
Rilevato:	0.00
Ballast:	1.40
Inerbimento:	0.00
SuperCompattato:	1.78
Anticapillare:	0.00
Scotico:	0.00
Bonifica:	0.00

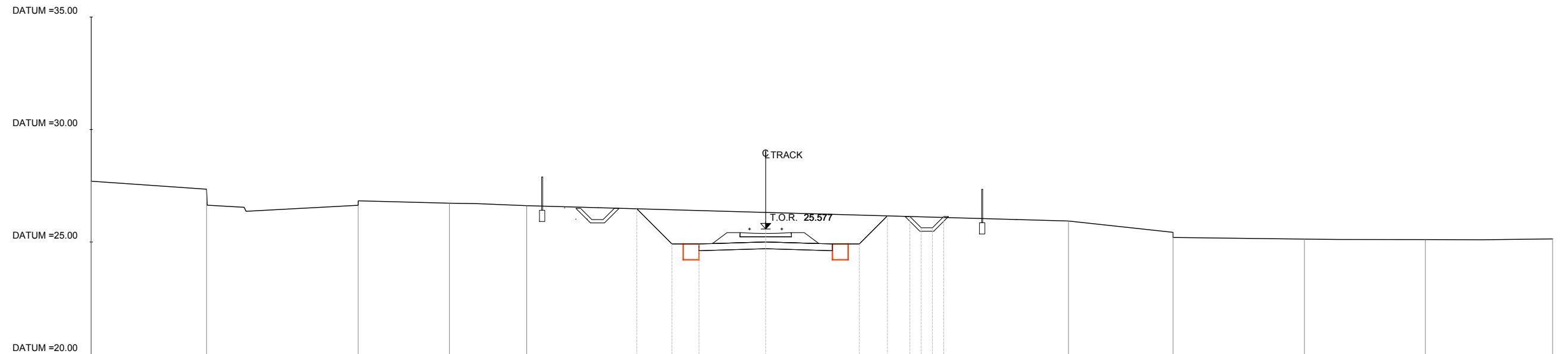
PROG 00+340.00
SEZ. RI04B_17



QUOTE TERRENO		25.46										25.98	27.29	27.34	
DIST. PROGRESSIVE TERRENO		-30.00										19.57	25.91	35.00	
QUOTE PROGETTO						25.72	24.91	24.91	25.58	24.91	25.83	25.84	25.34	25.34	25.84
DIST. PROGRESSIVE PROGETTO						-4.98	-4.17	-2.97	0.00	4.17	5.08	6.08	7.08	7.58	
DISTANZA BINARI									0.00						

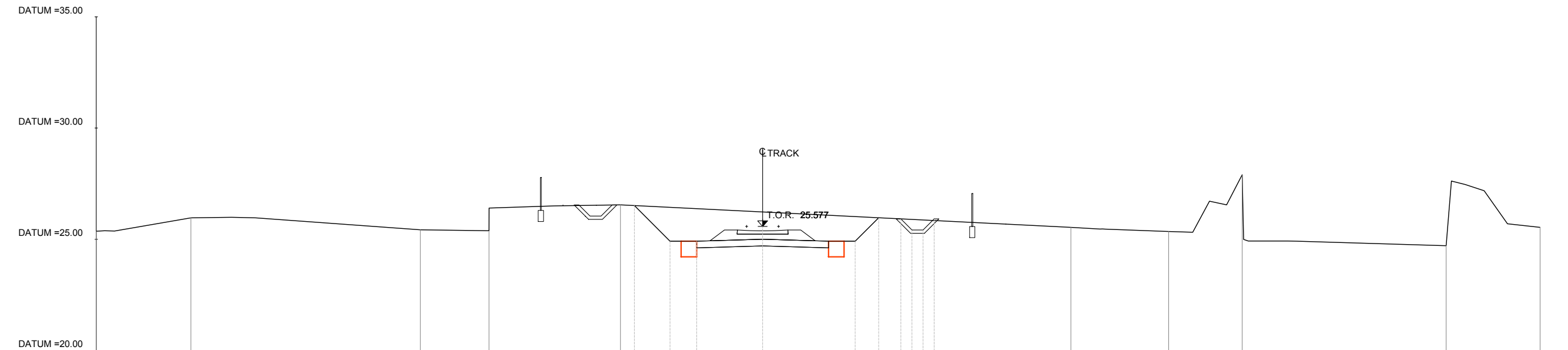
AREA	
Scavo:	17.84
Rilevato:	0.00
Ballast:	1.40
Inerbimento:	0.00
SuperCompattato:	1.78
Anticappare:	0.00
Scotico:	0.00
Bonifica:	0.00

PROG 00+380.00
SEZ. RI04B_19



QUOTE TERRENO	27.70	27.35	26.63	26.73	26.61						25.93	25.43	25.13	25.11	25.14	
DIST. PROGRESSIVE TERRENO	-30.00	-24.87	-18.12	-14.06	-10.63						13.47	18.12	23.96	29.34	35.00	
QUOTE PROGETTO							26.48	24.91	24.91	25.58	24.91	26.16	26.13	25.63	25.63	26.13
DIST. PROGRESSIVE PROGETTO							-5.73	-4.17	-2.97	0.00	4.17	5.42	6.42	6.92	7.42	7.92
DISTANZA BINARI										0.00						

AREA	
Scavo:	16.84
Rilevato:	0.00
Ballast:	1.40
Inerbimento:	0.00
SuperCompattato:	1.78
Anticapillare:	0.00
Scotico:	0.00
Bonifica:	0.00

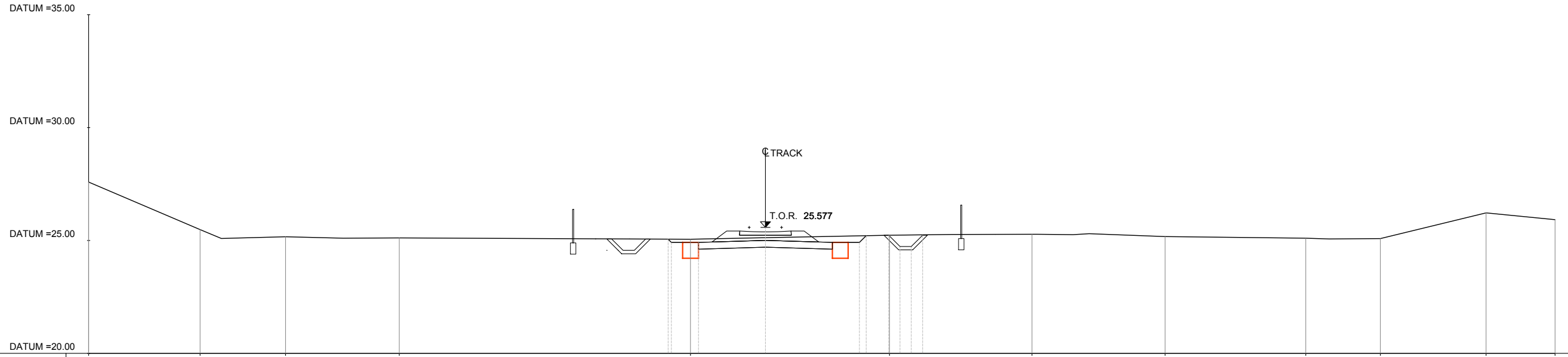


PROG 00+400.00
SEZ. RI04B_20

QUOTE TERRENO	25.36	25.96	25.42	25.38	26.55	25.54	25.35	27.90	24.71	25.54				
DIST. PROGRESSIVE TERRENO	-30.00	-25.74	-15.41	-12.32	-6.40	13.88	18.28	21.59	30.77	35.00				
QUOTE PROGETTO					26.52	24.91	24.91	25.58	24.91	25.97	25.92	25.42	25.42	25.92
DIST. PROGRESSIVE PROGETTO					-5.77	-4.17	-2.97	0.00	4.17	5.22	6.22	6.72	7.22	7.72
DISTANZA BINARI								0.00						

AREA	
Scavo:	5.99
Rilevato:	0.00
Ballast:	1.40
Inerbimento:	0.00
SuperCompattato:	1.78
Anticapillare:	0.00
Scotico:	0.00
Bonifica:	0.00

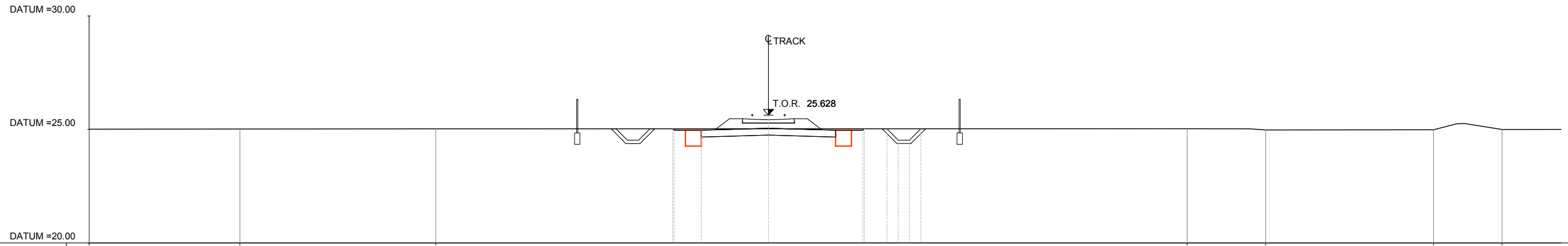
PROG 00+420.00
SEZ. RI04B_21



QUOTE TERRENO	27.58	25.48	25.16	25.11	25.05	25.23	25.27	25.17	25.10	25.08	26.22	25.92
DIST. PROGRESSIVE TERRENO	-30.00	-25.06	-21.27	-16.23	-3.32	5.50	11.82	17.72	23.95	27.26	31.95	35.00
QUOTE PROGETTO					24.96	24.91	25.58	25.21	25.23	24.73	24.73	25.23
DIST.PROGRESSIVE PROGETTO					4.37	-2.97	0.00	4.17	5.47	5.97	6.47	6.97
DISTANZA BINARI							0.00					

AREA	
Scavo:	4.69
Rilevato:	0.00
Ballast:	1.40
Inerbimento:	0.00
SuperCompattato:	1.78
Anticapillare:	0.00
Scotico:	0.00
Bonifica:	0.00

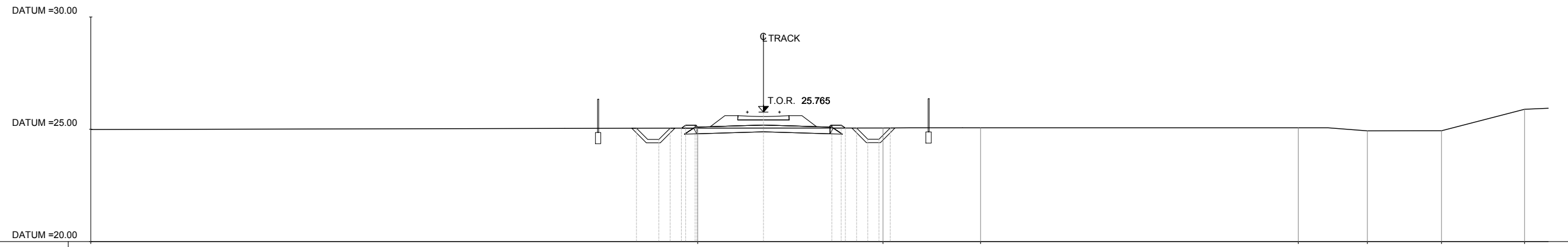
PROG 00+440.00
SEZ. RI04B_22



QUOTE TERRENO	25.01	25.02	25.03					25.03	24.97	24.99	25.00
DIST. PROGRESSIVE TERRENO	-30.00	-23.34	-14.69					18.49	21.96	29.37	32.40
QUOTE PROGETTO				25.00	24.96	25.63	25.00	25.03	24.53	24.53	25.03
DIST. PROGRESSIVE PROGETTO				-4.23	-2.97	0.00	4.23	5.23	5.73	6.23	6.73
DISTANZA BINARI						0.00					

AREA	
Scavo:	3.07
Rilevato:	0.00
Ballast:	1.40
Inerbimento:	0.13
SuperCompattato:	1.97
Anticapillare:	0.00
Scotico:	0.00
Bonifica:	0.00

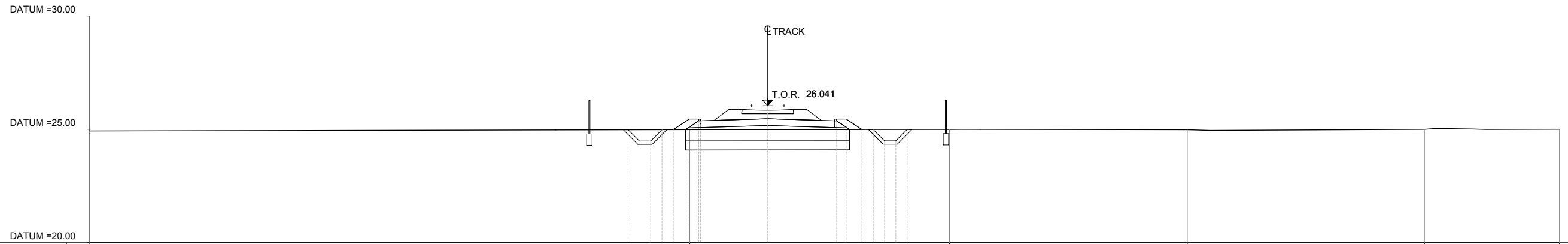
PROG 00+460.00
SEZ. RI04B_23



QUOTE TERRENO	24.99	25.05	25.06	25.07	25.07	24.93	24.93	25.89
DIST. PROGRESSIVE TERRENO	-30.00	-2.93	5.33	9.68	23.85	26.93	30.24	33.94
QUOTE PROGETTO		25.05	24.55	25.05	25.05	25.05	25.05	25.06
DIST. PROGRESSIVE PROGETTO		-5.66	-4.66	-4.16	-3.89	-3.99	0.00	3.05
DISTANZA BINARI				0.00				

AREA	
Scavo:	1.65
Rilevato:	4.52
Ballast:	1.40
Inerbimento:	0.50
SuperCompattato:	1.97
Anticapillare:	0.00
Scotico:	3.63
Bonifica:	2.90

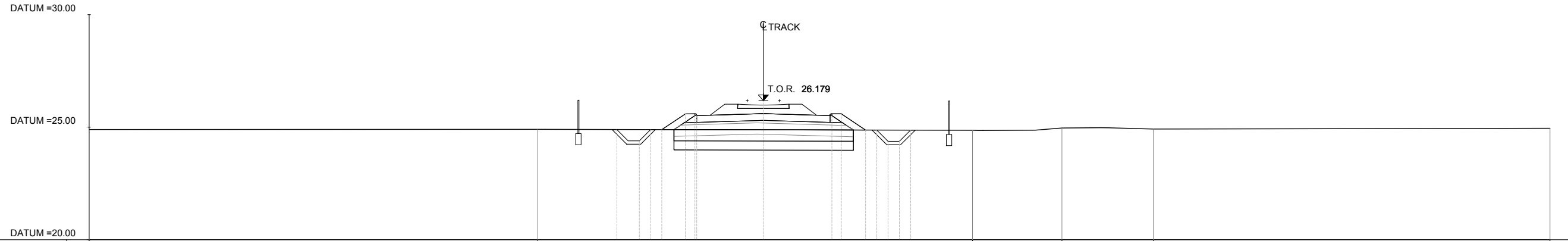
PROG 00+500.00
SEZ. RI04B_25



QUOTE TERRENO	24.93			24.99		24.99		24.98		25.00	25.00					
DIST. PROGRESSIVE TERRENO	-30.00			-3.45		8.04		18.55		29.04	35.00					
QUOTE PROGETTO				24.98	24.48	24.98	24.98	25.45	26.04	25.37	25.45	24.99	24.99	24.49	24.99	
DIST. PROGRESSIVE PROGETTO				-6.17	-5.17	-4.67	-4.17	-3.47	0.00	3.05	3.47	4.16	4.66	5.16	5.66	6.16
DISTANZA BINARI									0.00							

AREA	
Scavo:	1.66
Rilevato:	6.73
Ballast:	1.40
Inerbimento:	0.76
SuperCompattato:	1.97
Anticapillare:	3.90
Scotico:	3.99
Bonifica:	3.19

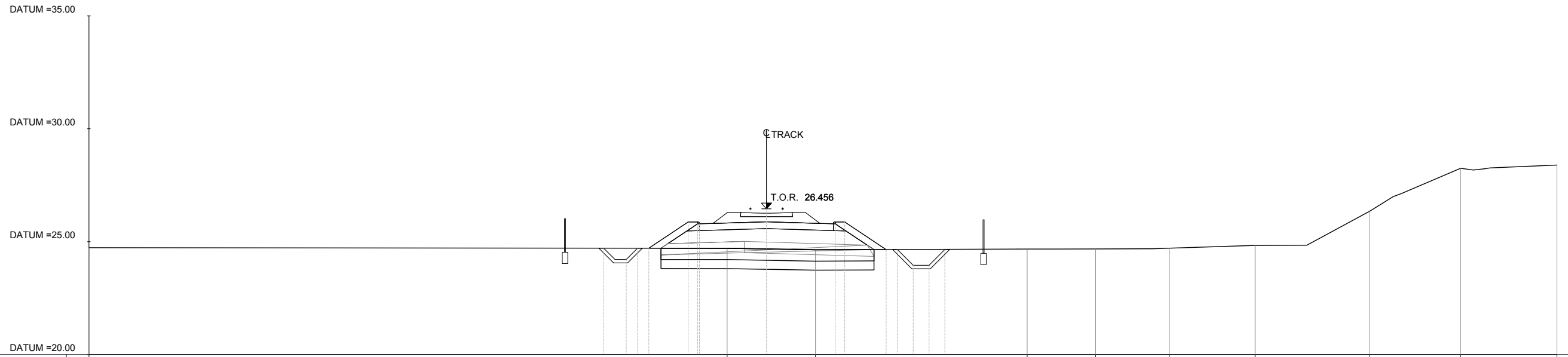
PROG 00+520.00
SEZ. RI04B_26



QUOTE TERRENO	24.89			24.90					24.86	24.96	24.92		24.95	
DIST. PROGRESSIVE TERRENO	-30.00			-10.04					9.31	13.28	17.35		35.00	
QUOTE PROGETTO					24.89	24.39	24.89	24.89	25.59	25.59	24.87	24.37	24.37	24.87
DIST. PROGRESSIVE PROGETTO					-6.52	-5.52	-4.52	-3.47	0.00	3.05	4.55	5.55	6.05	6.55
DISTANZA BINARI									0.00					

AREA	
Scavo:	2.26
Rilevato:	11.68
Ballast:	1.40
Inerbimento:	1.28
SuperCompattato:	1.97
Anticappare:	5.52
Scotico:	4.71
Bonifica:	3.77

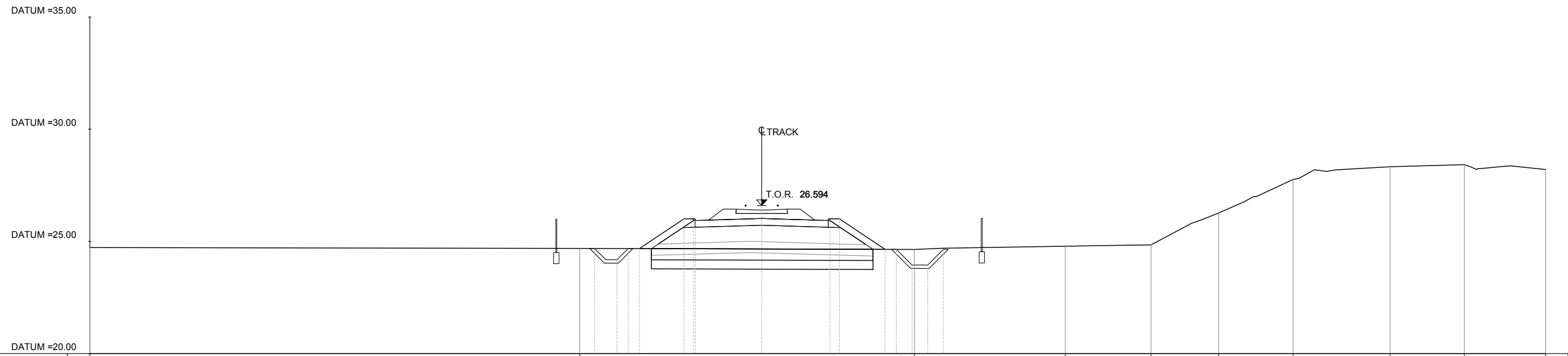
PROG 00+560.00
SEZ. RI04B_28



QUOTE TERRENO	24.73				24.71	24.64				24.67	24.68	24.71	24.83	26.35	28.25	28.40	
DIST. PROGRESSIVE TERRENO	-30.00				-1.74	2.17				11.55	14.57	17.83	21.64	26.71	30.73	35.00	
QUOTE PROGETTO					24.71	24.21	24.71	24.71	24.71	26.46	25.79	25.87	24.65	24.65	23.95	23.95	24.65
DIST.PROGRESSIVE PROGETTO					-7.21	-6.21	-5.71	-5.21	-3.47	0.00	3.05	3.47	5.30	5.80	6.50	7.20	7.90
DISTANZA BINARI									0.00								

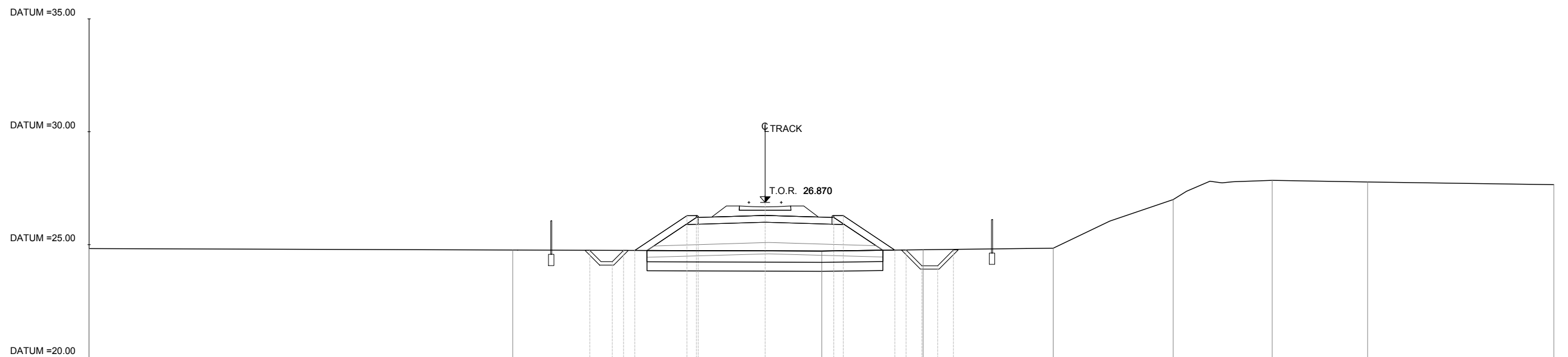
AREA	
Scavo:	2.30
Rilevato:	13.37
Ballast:	1.40
Inerbimento:	1.45
SuperCompattato:	1.97
Anticapillare:	4.84
Scotico:	4.95
Bonifica:	3.96

PROG 00+580.00
SEZ. RI04B_29



QUOTE TERRENO	24.72		24.69			24.64		24.78	24.84	26.27	27.76	28.33	28.42	28.20
DIST. PROGRESSIVE TERRENO	-30.00		-8.12			6.82		13.55	17.38	20.40	23.73	28.06	31.37	35.00
QUOTE PROGETTO			24.68	24.18	24.68	26.01	26.59	25.93	26.01	24.64	24.64	23.94	23.94	24.64
DIST. PROGRESSIVE PROGETTO			-7.46	-6.46	-5.96	-5.46	-3.47	-3.05	3.47	5.51	6.01	6.71	7.41	8.11
DISTANZA BINARI							0.00							

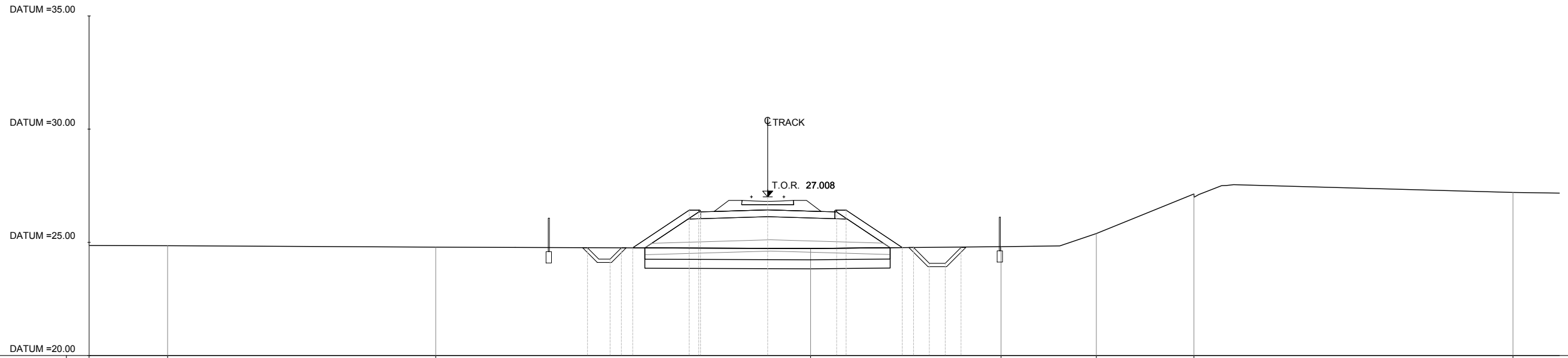
AREA	
Scavo:	2.29
Rilevato:	15.78
Ballast:	1.40
Inerbimento:	1.65
SuperCompattato:	1.97
Anticapillare:	5.13
Scotico:	5.23
Bonifica:	4.19



QUOTE TERRENO	24.82		24.76		24.72	24.77		24.84	27.00	27.85	27.78	27.66				
DIST. PROGRESSIVE TERRENO	-30.00		-11.20		2.51	7.01		12.79	18.11	22.50	26.74	35.00				
QUOTE PROGETTO				24.74	24.24	24.74	24.74		26.28	26.87	26.28	24.76	24.76	24.06	24.06	24.76
DIST. PROGRESSIVE PROGETTO				-7.78	-6.78	-5.78	-3.47	0.00	3.05	3.47	5.76	6.26	6.96	7.66	8.36	
DISTANZA BINARI							0.00									

AREA	
Scavo:	2.28
Rilevato:	17.30
Ballast:	1.40
Inerbimento:	1.79
SuperCompattato:	1.97
Anticapillare:	5.32
Scotico:	5.42
Bonifica:	4.34

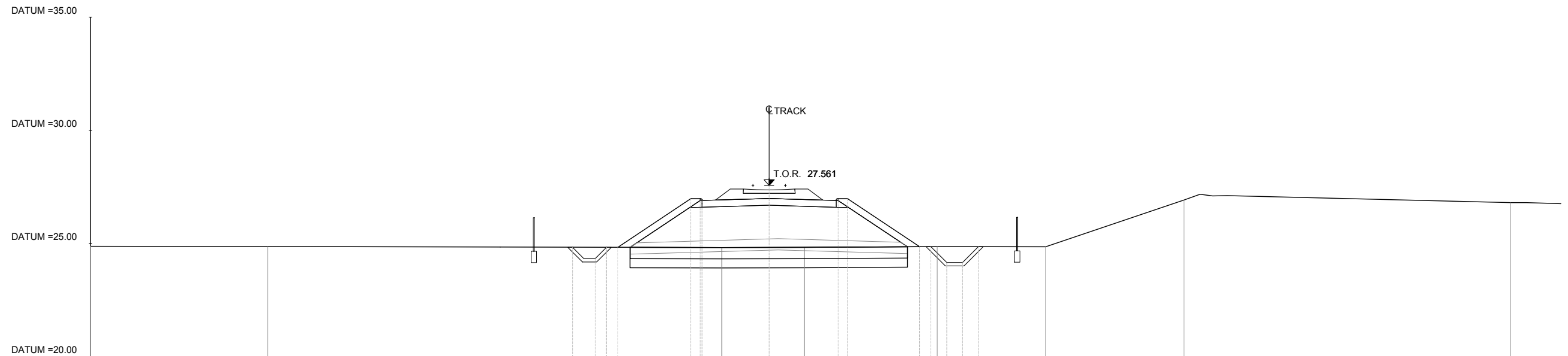
PROG 00+640.00
SEZ. RI04B_32



QUOTE TERRENO	24.86	24.85	24.79		24.73	24.81	25.39	27.14	27.21
DIST. PROGRESSIVE TERRENO	-30.00	-26.53	-14.67		1.90	10.32	14.53	18.84	32.95
QUOTE PROGETTO				24.76	26.42	27.01	26.34	24.77	24.77
DIST. PROGRESSIVE PROGETTO				-7.97	-3.47	0.00	3.05	5.95	6.45
DISTANZA BINARI						0.00			

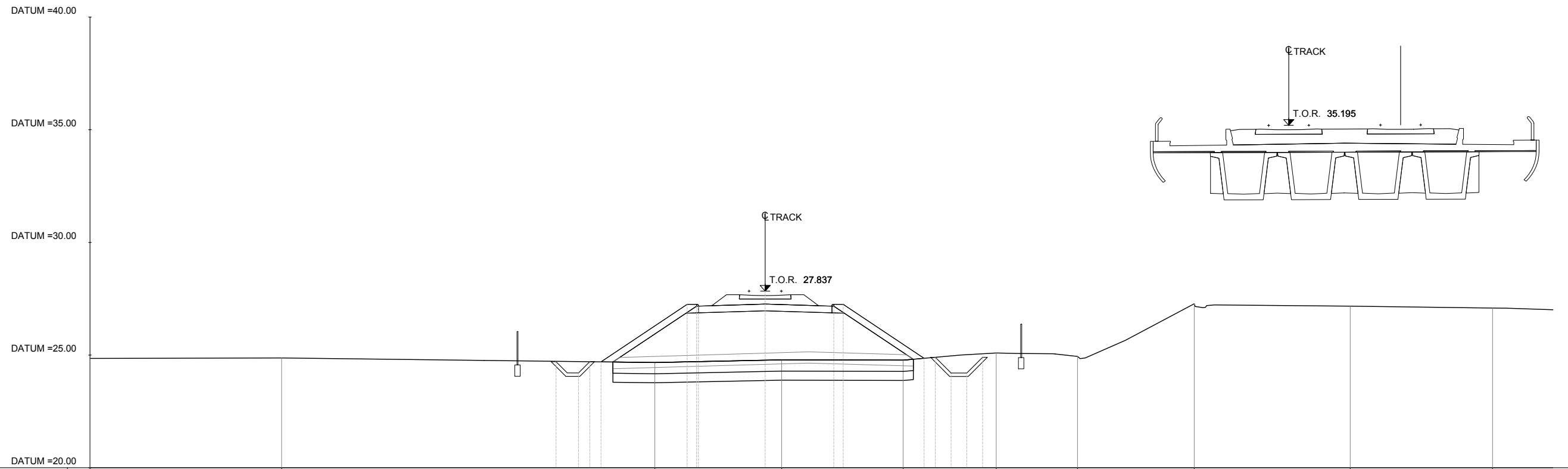
AREA	
Scavo:	2.26
Rilevato:	23.46
Ballast:	1.40
Inerbimento:	2.30
SuperCompattato:	1.97
Anticapillare:	6.02
Scotico:	6.13
Bonifica:	4.91

PROG 00+720.00
SEZ. RI04B_36



QUOTE TERRENO	24.87	24.86		24.81	24.82	24.86	24.85	26.92	26.80
DIST. PROGRESSIVE TERRENO	-30.00	-22.16		-2.10	1.56	7.43	12.22	18.34	32.78
QUOTE PROGETTO			24.83	24.83	27.56	26.89	24.85	24.85	
DIST. PROGRESSIVE PROGETTO			-8.69	-7.69	0.00	3.05	6.65	7.85	9.25
DISTANZA BINARI					0.00				

AREA	
Scavo:	2.48
Rilevato:	28.58
Ballast:	1.40
Inerbimento:	2.68
SuperCompattato:	1.97
Anticapillare:	6.56
Scotico:	6.67
Bonifica:	5.34



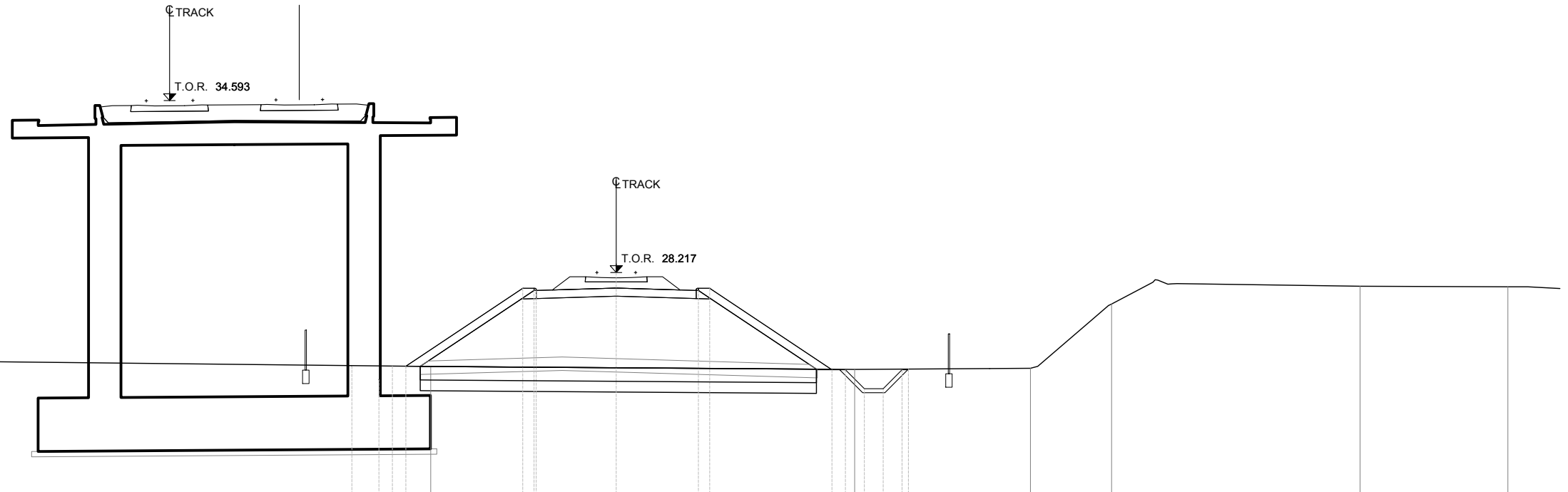
PROG 00+760.00
SEZ. RI04B_38

QUOTE TERRENO	24.85	24.87	24.67	24.79	24.77	25.09	24.94	27.28	27.17	27.09						
DIST. PROGRESSIVE TERRENO	-30.00	-21.49	-4.90	0.73	6.13	10.26	13.87	19.06	25.99	32.32						
QUOTE PROGETTO		24.71	24.21	24.71	24.70	27.25	27.17	27.84	27.17	27.25	24.86	24.90	24.20	24.20	24.90	
DIST. PROGRESSIVE PROGETTO		-9.29	-8.29	-7.79	-7.29	-3.47	-3.05	0.00	3.05	3.47	7.06	7.56	8.26	8.96	9.66	
DISTANZA BINARI								0.00							23.26	28.23

AREA	
Scavo:	1.49
Rilevato:	35.47
Ballast:	1.40
Inerbimento:	3.19
SuperCompattato:	1.97
Anticapillare:	7.24
Scotico:	7.35
Bonifica:	5.88

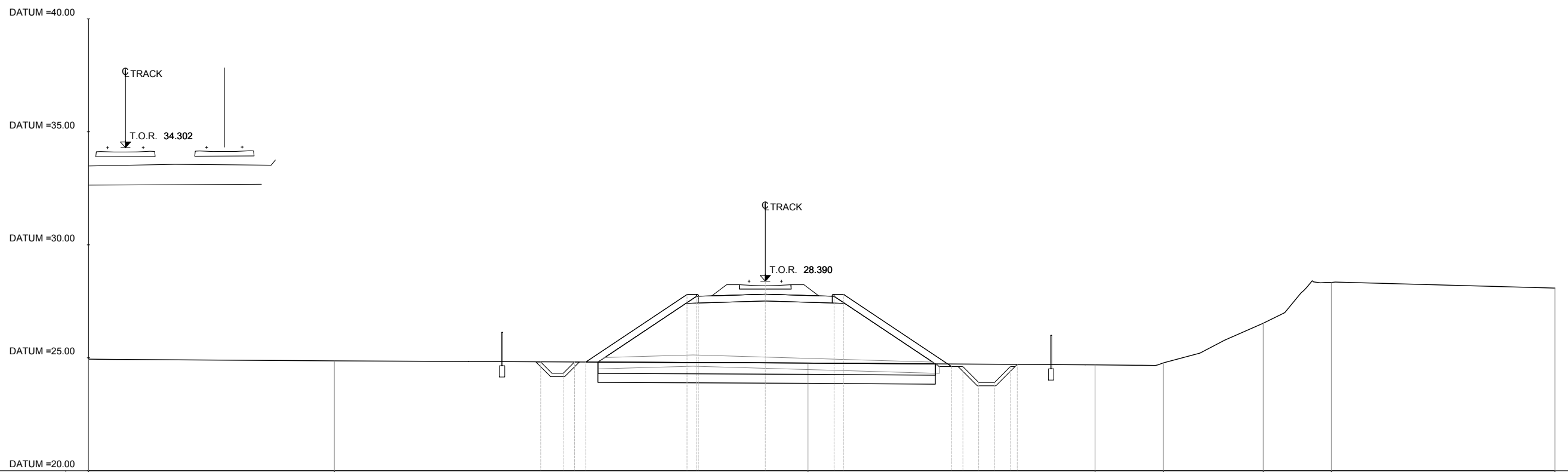
DATUM =40.00
DATUM =35.00
DATUM =30.00
DATUM =25.00
DATUM =20.00

PROG 00+815.00
SEZ. RI04B_40



QUOTE TERRENO	24.98				24.73				24.62		24.66	27.05			27.71	27.69
DIST. PROGRESSIVE TERRENO	-30.00				-6.88				8.84		15.36	18.37			27.59	33.07
QUOTE PROGETTO						24.75	24.25	24.75	24.74							
DIST. PROGRESSIVE PROGETTO						-9.80	-8.80	-8.30	-7.80							
DISTANZA BINARI		-16.57		-11.76						0.00						

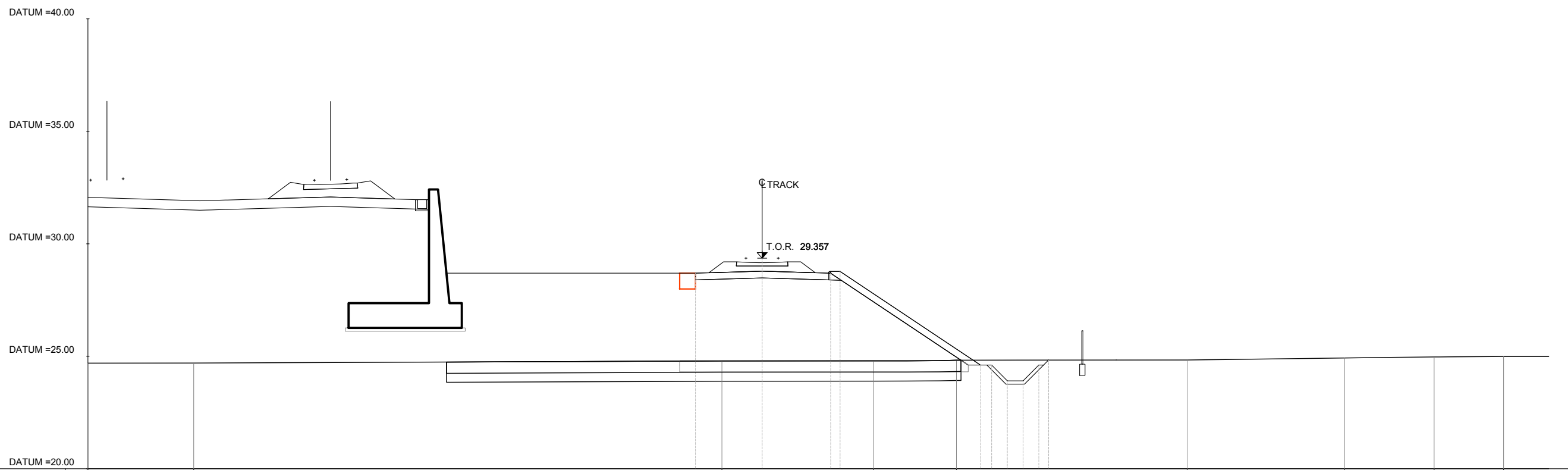
AREA	
Scavo:	2.64
Rilevato:	36.81
Ballast:	1.40
Inerbimento:	3.34
SuperCompattato:	1.97
Anticpillare:	7.44
Scotico:	7.48
Bonifica:	5.98



PROG 00+840.00
SEZ. RI04B_42

QUOTE TERRENO	24.94	24.86	24.77	24.68	24.77	26.53	28.34	28.09
DIST. PROGRESSIVE TERRENO	-30.00	-19.10	1.89	14.62	17.65	22.07	25.09	35.00
QUOTE PROGETTO			24.81	24.61	24.61	23.91	24.61	
DIST. PROGRESSIVE PROGETTO			-9.95	8.26	8.76	9.46	10.16	
DISTANZA BINARI	-28.36	-23.98	0.00	3.05	3.47	10.89	19.89	

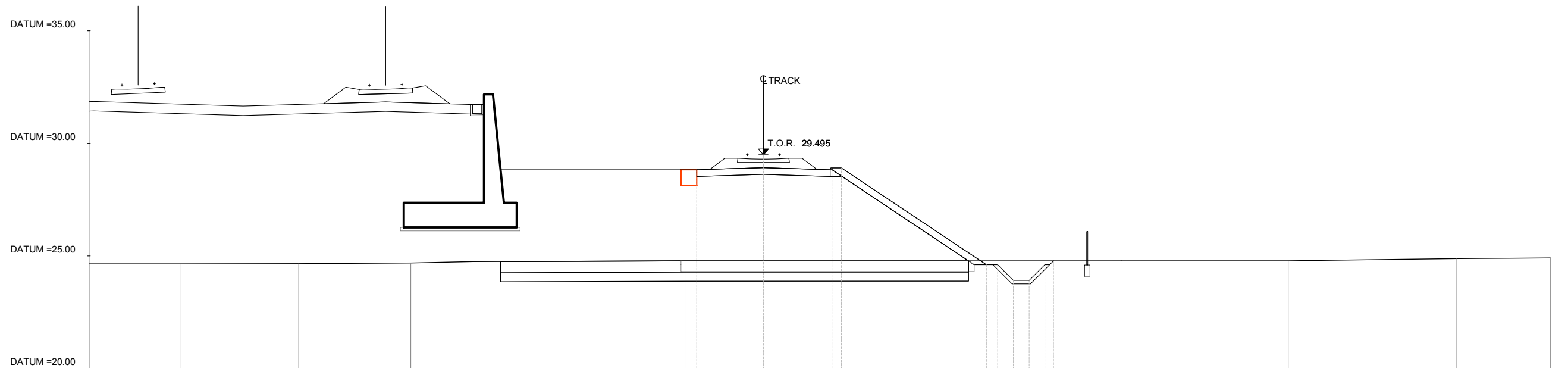
AREA	
Scavo:	2.22
Rilevato:	87.67
Ballast:	1.40
Inerbimento:	2.25
SuperCompattato:	1.88
Anticapillare:	6.39
Scotico:	11.45
Bonifica:	9.16



PROG 00+980.00
SEZ. RI04B_49

QUOTE TERRENO	24.69	24.70	24.79	24.80	24.82	24.83	24.92	24.97	24.99
DIST. PROGRESSIVE TERRENO	-30.00	-25.29	-1.79	4.96	8.64	18.91	25.91	29.90	32.99
QUOTE PROGETTO			28.69	29.36	28.69 28.77	24.61 24.61 23.91	23.91 23.91 24.61 24.83		
DIST. PROGRESSIVE PROGETTO			-2.97	0.00	3.05 3.47	9.71 10.21 10.91	11.61 12.31 12.75		
DISTANZA BINARI	-29.15	-19.20	0.00						

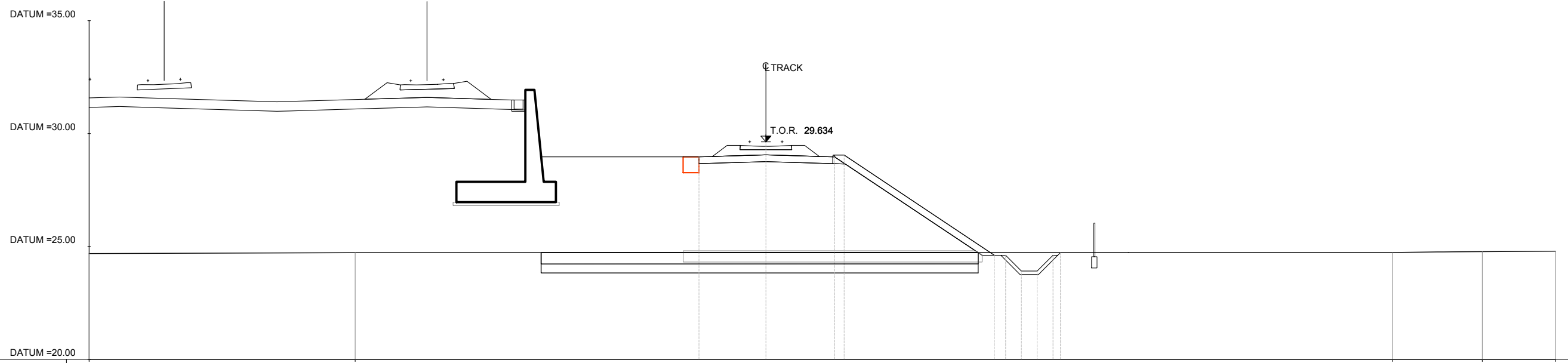
AREA	
Scavo:	2.03
Rilevato:	80.46
Ballast:	1.40
Inerbimento:	2.32
SuperCompattato:	1.88
Anticapillare:	6.49
Scotico:	10.41
Bonifica:	8.33



PROG 01+000.00
SEZ. RI04B_50

QUOTE TERRENO	24.65	24.65	24.66	24.68	24.78		24.78	24.88	24.91
DIST. PROGRESSIVE TERRENO	-30.00	-25.95	-20.67	-15.69	-3.44		23.34	30.84	35.00
QUOTE PROGETTO					28.83	29.50	28.83	28.91	
DIST. PROGRESSIVE PROGETTO					-2.97	0.00	3.05	3.47	
DISTANZA BINARI	-27.81		-16.80			0.00			

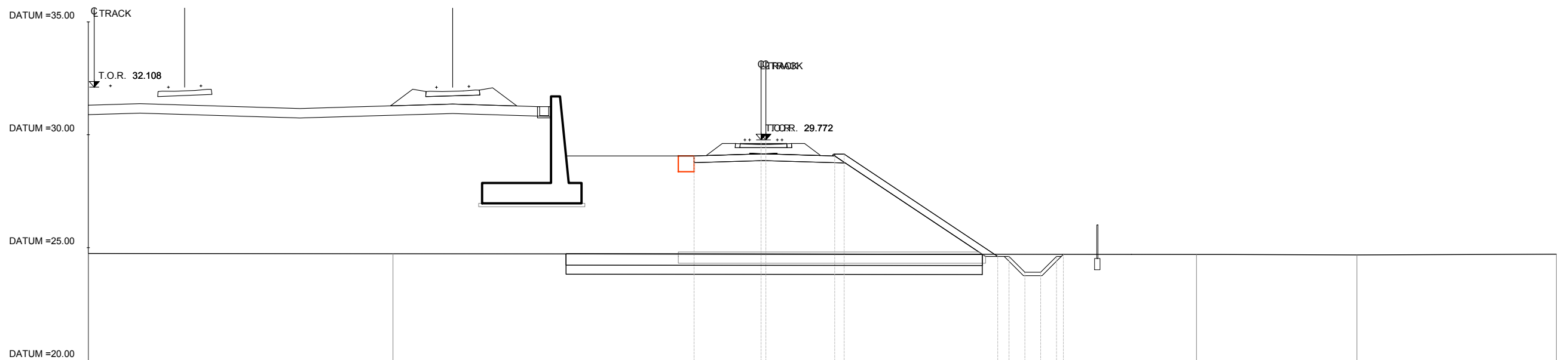
AREA	
Scavo:	1.84
Rilevato:	76.27
Ballast:	1.40
Inerbimento:	2.40
SuperCompattato:	1.88
Anticapillare:	6.60
Scotico:	9.68
Bonifica:	7.75



PROG 01+020.00
SEZ. RI04B_51

QUOTE TERRENO	24.69	24.72								24.73	24.77	24.79		
DIST. PROGRESSIVE TERRENO	-30.00	-18.21								27.77	31.75	35.00		
QUOTE PROGETTO					28.97	29.63	28.97	29.05		24.61	24.61	23.91	23.91	24.73
DIST. PROGRESSIVE PROGETTO					-2.97	0.00	3.05	3.47		10.13	10.63	11.33	12.03	13.78
DISTANZA BINARI	-26.67	-15.02				0.00								

AREA	
Scavo:	1.76
Rilevato:	72.97
Ballast:	1.27
Inerbimento:	2.45
SuperCompattato:	1.94
Anticapillare:	6.77
Scotico:	9.21
Bonifica:	7.37

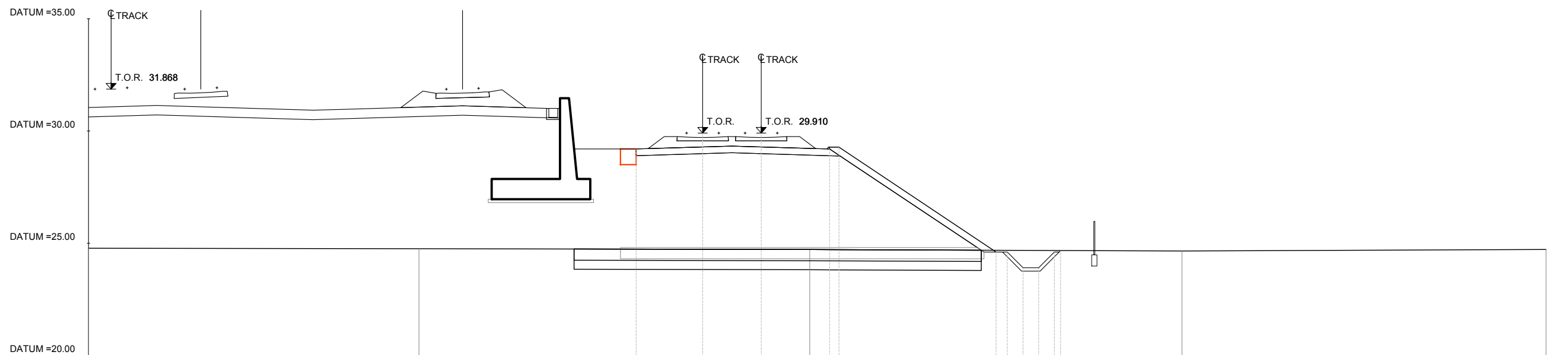


PROG 01+040.00
SEZ. RI04B_52

QUOTE TERRENO	24.74	24.73	24.70	24.68	24.71					
DIST. PROGRESSIVE TERRENO	-30.00	-16.51	19.07	26.17	35.00					
QUOTE PROGETTO			29.06	29.77	29.06	24.61	24.61	23.91	23.91	24.60
DIST. PROGRESSIVE PROGETTO			-3.18	-6.60	3.05	10.27	10.77	11.47	12.17	13.86
DISTANZA BINARI	-29.73	-25.73	-13.86	-6.60						

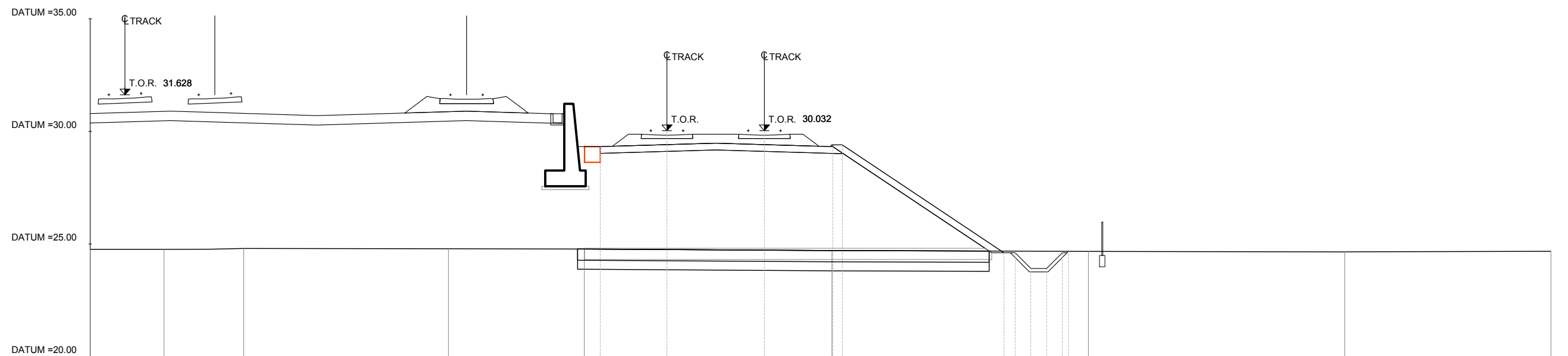
AREA	
Scavo:	1.68
Rilevato:	72.59
Ballast:	2.32
Inerbimento:	2.52
SuperCompattato:	2.66
Anticapillare:	8.08
Scotico:	9.08
Bonifica:	7.26

PROG 01+060.00
SEZ. RI04B_53



QUOTE TERRENO	24.78	24.76	24.72	24.65	24.72								
DIST. PROGRESSIVE TERRENO	-30.00	-15.26	2.16	18.76	35.00								
QUOTE PROGETTO			29.20	29.91	29.91	29.20	29.28		24.61	24.61	23.91	23.91	24.68
DIST. PROGRESSIVE PROGETTO			-5.58	-2.61	0.00	3.05	3.47		10.48	10.98	11.68	12.38	13.98
DISTANZA BINARI	-28.99	-24.99	-13.32	-2.61	0.00								

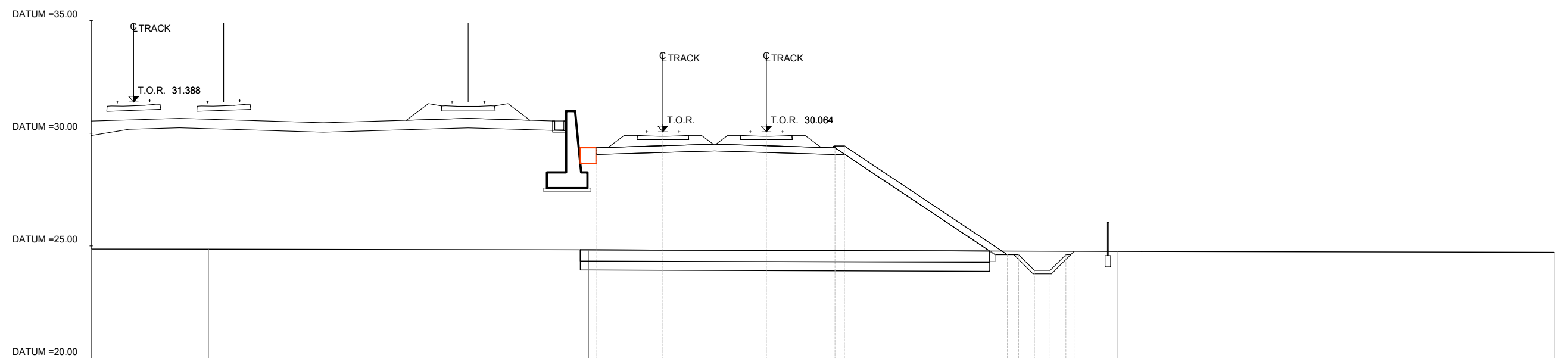
AREA	
Scavo:	1.66
Rilevato:	74.39
Ballast:	3.03
Inerbimento:	2.59
SuperCompattato:	3.18
Anticapillare:	9.03
Scotico:	9.16
Bonifica:	7.33



PROG 01+080.00
SEZ. RI04B_54

QUOTE TERRENO	24.76	24.76	24.80	24.79	24.77	24.71	24.67	24.65	24.67					
DIST. PROGRESSIVE TERRENO	-30.00	-26.71	-23.17	-14.06	-8.01	3.01	14.42	25.83	35.00					
QUOTE PROGETTO					29.32	30.03	30.03	29.32	29.40	24.61	24.61	23.91	23.91	24.67
DIST. PROGRESSIVE PROGETTO					-7.30	-4.33	0.00	3.05	3.47	10.66	11.16	11.86	12.56	13.25
DISTANZA BINARI	-28.45	-24.45		-13.25		-4.33	0.00							

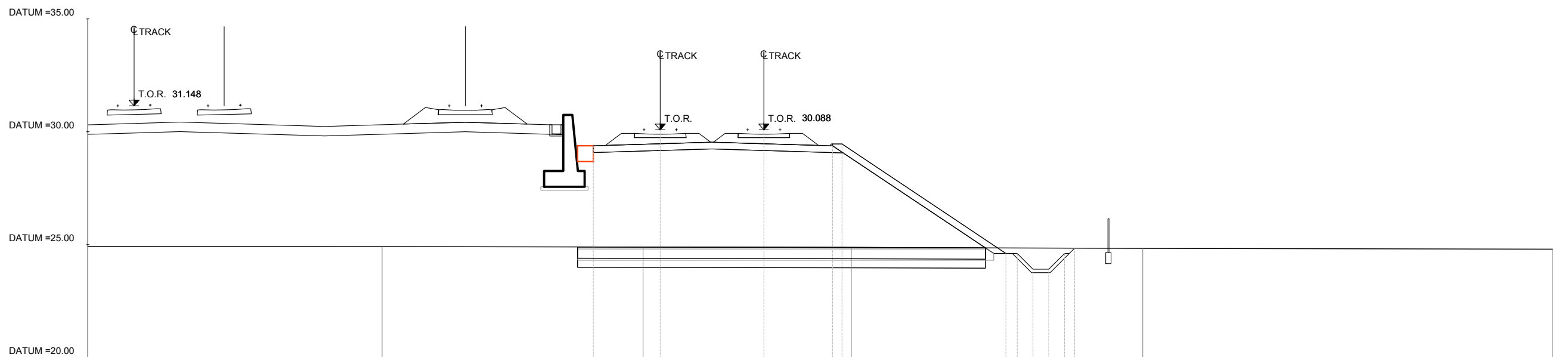
AREA	
Scavo:	1.97
Rilevato:	73.32
Ballast:	2.88
Inerbimento:	2.61
SuperCompattato:	3.26
Anticapillare:	9.19
Scolico:	9.10
Bonifica:	7.28



PROG 01+100.00
SEZ. RI04B_55

QUOTE TERRENO	24.86	24.86	24.83	24.75	24.71								
DIST. PROGRESSIVE TERRENO	-30.00	-24.79	-7.90	15.62	35.00								
QUOTE PROGETTO			29.36	30.06	30.06	29.35	29.43	24.61	24.61	23.91	23.91	24.61	24.76
DIST. PROGRESSIVE PROGETTO			-7.57	-4.60	0.00	3.05	3.47	10.71	11.21	11.91	12.61	13.31	13.67
DISTANZA BINARI	-28.11	-24.11	-13.25	-4.60	0.00								

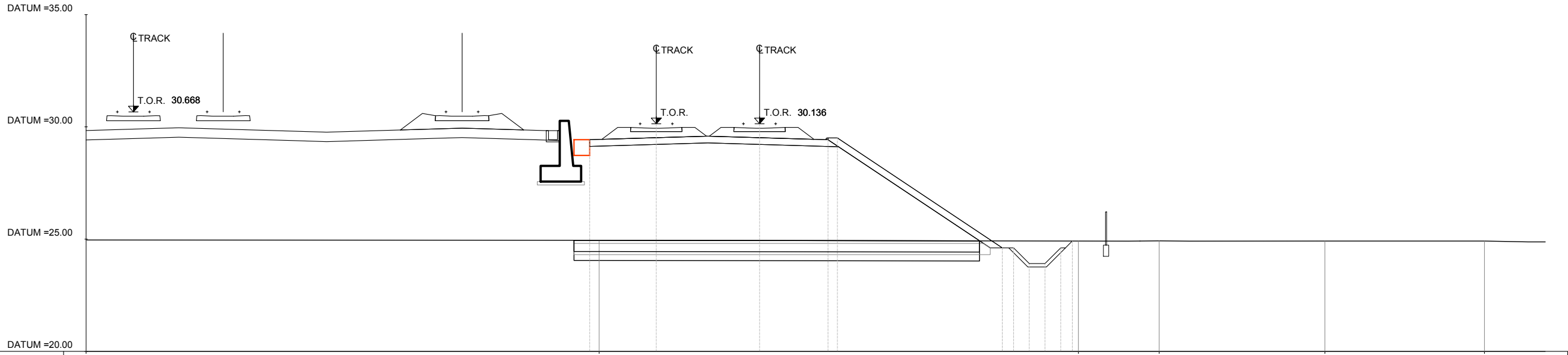
AREA	
Scavo:	2.30
Rilevato:	72.26
Ballast:	2.88
Inerbimento:	2.62
SuperCompattato:	3.26
Anticapillare:	9.20
Scotico:	9.05
Bonifica:	7.24



PROG 01+120.00
SEZ. RI04B_56

QUOTE TERRENO	24.92		24.91		24.89		24.87		24.83	24.80
DIST. PROGRESSIVE TERRENO	-30.00		-16.94		-5.36		3.88		16.81	35.00
QUOTE PROGETTO					29.38	30.09	30.09	29.38 29.46	24.61 24.61	23.91 23.91 24.61 24.84
DIST. PROGRESSIVE PROGETTO					-7.57	-4.60	0.00	3.05 3.47	10.74 11.24	11.94 12.64 13.34 13.79
DISTANZA BINARI	-27.95	-23.95		-13.25		-4.60	0.00			

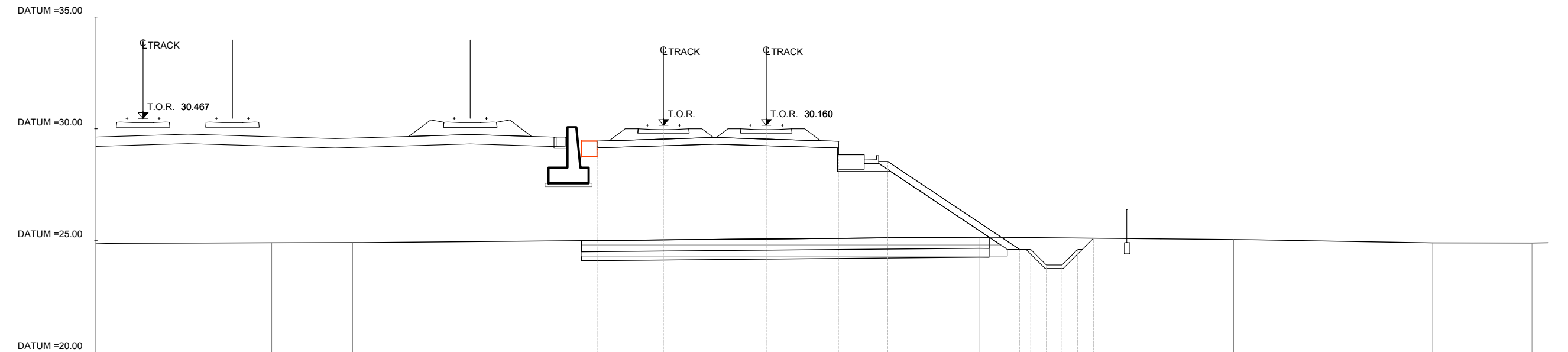
AREA	
Scavo:	2.59
Rilevato:	72.07
Ballast:	2.88
Inerbimento:	2.64
SuperCompattato:	3.26
Anticappare:	9.24
Scotico:	9.04
Bonifica:	7.23



PROG 01+160.00
SEZ. RI04B_58

QUOTE TERRENO	24.96	24.95	24.95	24.95	24.92	24.92	24.91	24.91
DIST. PROGRESSIVE TERRENO	-30.00	-7.14	-7.14	-7.14	14.20	17.80	25.18	32.29
QUOTE PROGETTO		29.43	30.14	30.14	29.43	29.51	24.61	24.61
DIST. PROGRESSIVE PROGETTO		-7.57	-4.60	0.00	3.05	3.47	10.81	11.31
DISTANZA BINARI	-27.89	-23.89	-13.25	-4.60	0.00		12.01	12.71
							13.41	13.93
							23.91	24.61
							24.92	24.92

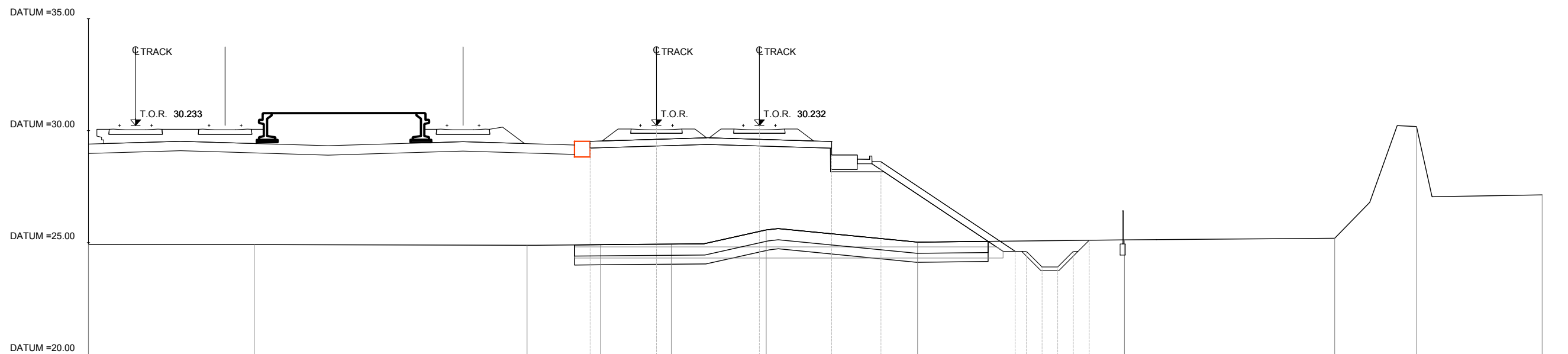
AREA	
Scavo:	3.53
Rilevato:	70.21
Ballast:	2.88
Inerbimento:	2.12
SuperCompattato:	3.24
Anticapillare:	9.50
Scotico:	9.12
Bonifica:	7.29



PROG 01+180.00
SEZ. RI04B_59

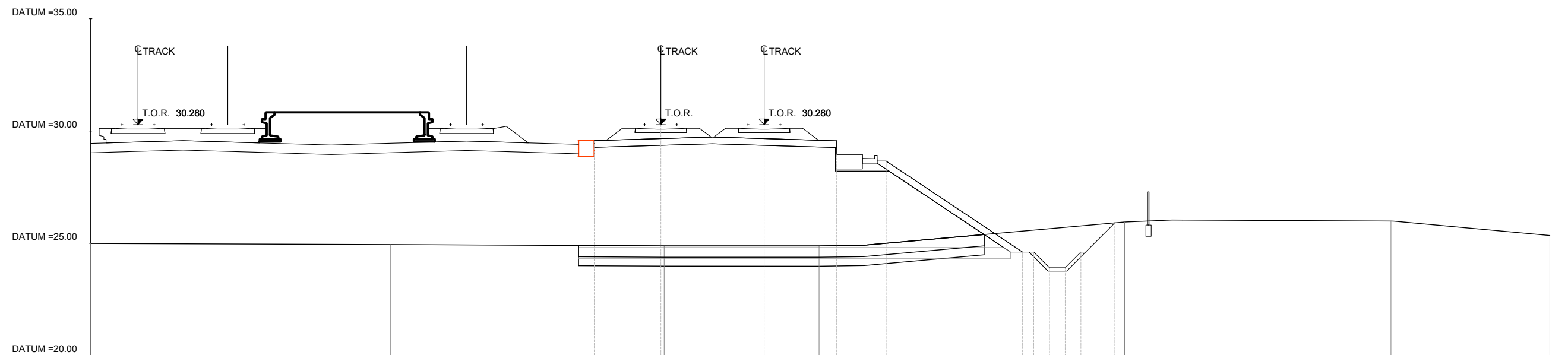
QUOTE TERRENO	24.89	24.90	24.91		25.16		25.05	24.90	24.90
DIST. PROGRESSIVE TERRENO	-30.00	-22.13	-18.51		9.51		20.91	29.82	34.27
QUOTE PROGETTO				29.45	30.16	30.16	29.44	28.54	
DIST. PROGRESSIVE PROGETTO				-7.57	-4.60	0.00	3.23	5.44	
DISTANZA BINARI	-27.89	-23.89	-13.25		-4.60	0.00			
							11.33	24.61	
							11.83	24.61	
							12.53	23.91	
							13.23	23.91	
							13.93	24.61	
							14.65	25.11	

AREA	
Scavo:	3.28
Rilevato:	70.56
Ballast:	2.88
Inerbimento:	2.16
SuperCompattato:	3.24
Anticappare:	9.55
Scotico:	9.30
Bonifica:	7.44



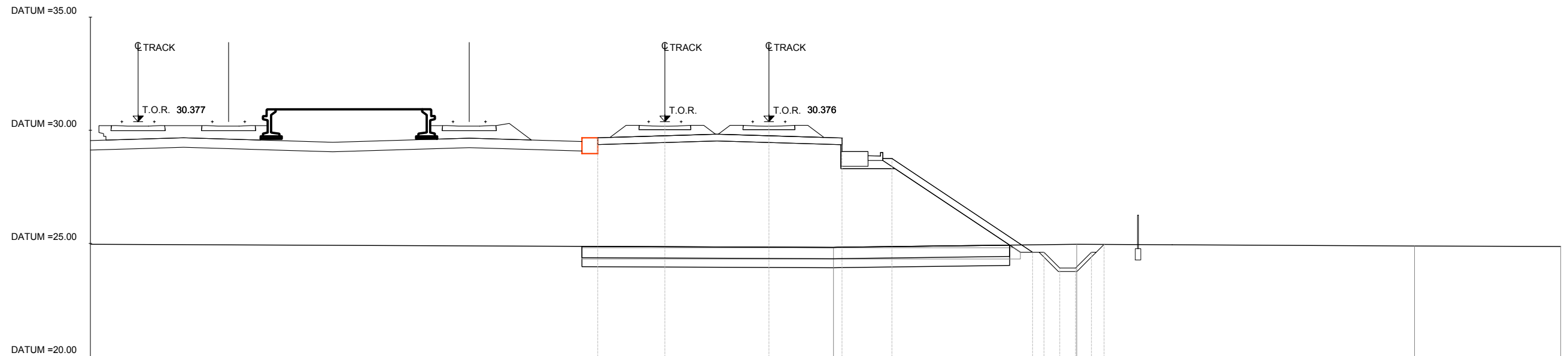
QUOTE TERRENO	24.92	24.91	24.88	24.91	24.93	25.57	25.02	25.12	25.19	30.18	27.13
DIST. PROGRESSIVE TERRENO	-30.00	-22.59	-10.39	-7.10	-3.94	0.31	7.07	16.33	25.73	29.38	35.00
QUOTE PROGETTO				29.52	30.23	30.23	29.52	28.61		24.61	24.61
DIST. PROGRESSIVE PROGETTO				-7.57	-4.60	0.00	3.23	5.44		11.44	11.94
DISTANZA BINARI	-27.89	-23.89	-13.25	-4.60	0.00					12.64	13.34
										14.04	14.75
										23.91	23.91
										24.61	25.10

AREA	
Scavo:	6.17
Rilevato:	74.45
Ballast:	2.88
Inerbimento:	2.18
SuperCompattato:	3.24
Anticapillare:	9.59
Scotico:	9.05
Bonifica:	7.24



QUOTE TERRENO	24.99	24.94	24.88	24.88	25.95	25.99	25.34
DIST. PROGRESSIVE TERRENO	-30.00	-16.64	-4.45	2.45	16.06	27.92	35.00
QUOTE PROGETTO			29.57	30.28	30.28	29.56	28.66
DIST. PROGRESSIVE PROGETTO			-7.57	-4.60	0.00	3.23	5.44
DISTANZA BINARI	-27.89	-23.89	-13.25	-4.60	0.00	11.51	12.01
						12.71	13.41
						13.41	14.11
						14.11	15.62
						15.62	25.91

AREA	
Scavo:	2.70
Rilevato:	78.80
Ballast:	2.88
Inerbimento:	2.24
SuperCompattato:	3.24
Anticapillare:	9.66
Scotico:	9.46
Bonifica:	7.56

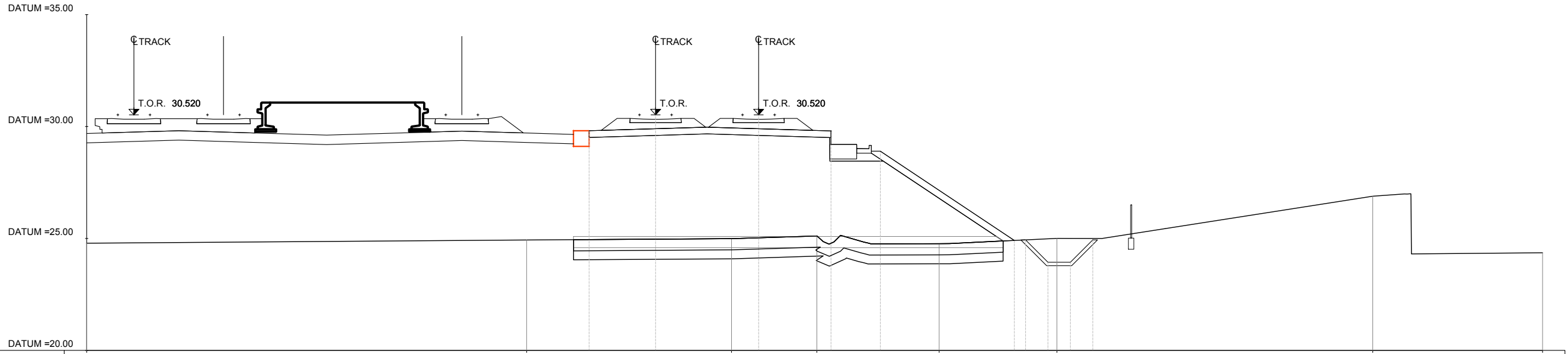


PROG 01+360.00
SEZ. RI04B_68

QUOTE TERRENO	24.96					24.82				24.96				24.88	24.86
DIST. PROGRESSIVE TERRENO	-30.00					2.85				13.60				28.54	35.00
QUOTE PROGETTO				29.67	30.38	30.38	29.66	28.75		24.61	24.61	23.91	23.91	24.61	24.96
DIST. PROGRESSIVE PROGETTO				-7.57	-4.60	0.00	3.23	5.44		11.66	12.16	12.86	13.56	14.26	14.81
DISTANZA BINARI	-27.89	-23.89		-13.25		-4.60		0.00							

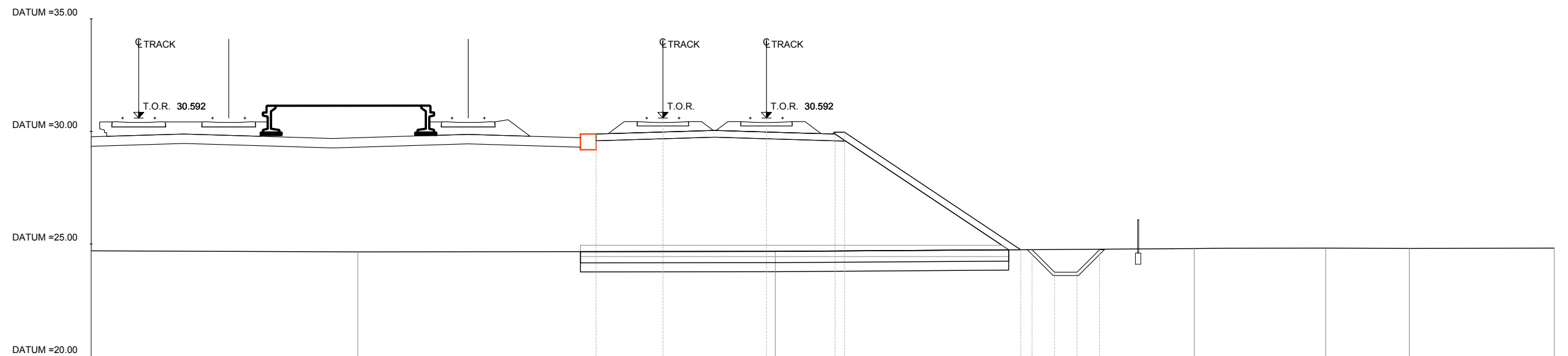
AREA	
Scavo:	2.78
Rilevato:	80.55
Ballast:	2.88
Inerbimento:	2.16
SuperCompattato:	3.24
Anticapillare:	9.56
Scotico:	9.72
Bonifica:	7.78

PROG 01+480.00
SEZ. RI04B_73



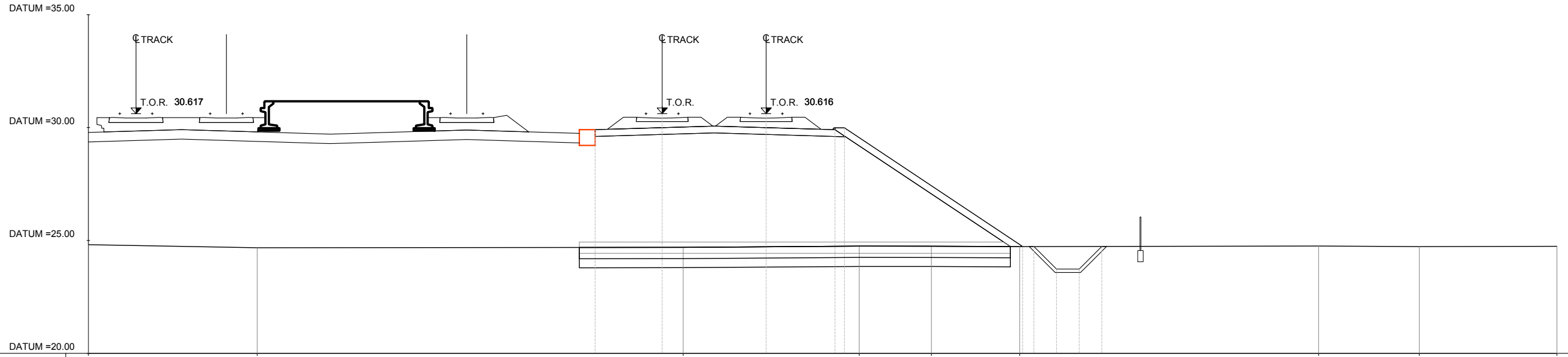
QUOTE TERRENO	24.79			24.93			24.99	25.11		24.77		25.00			26.89	24.36
DIST. PROGRESSIVE TERRENO	-30.00			-10.36			-1.21	2.60		8.06		13.32			27.42	35.00
QUOTE PROGETTO						29.81	30.52	30.52	29.80	28.90		24.91	24.94	23.94	23.94	24.94
DIST. PROGRESSIVE PROGETTO						-7.57	-4.60	0.00	3.23	5.44		11.42	11.92	12.92	13.92	14.92
DISTANZA BINARI		-27.89	-23.89			-13.25		-4.60	0.00							

AREA	
Scavo:	2.65
Rilevato:	85.70
Ballast:	2.88
Inerbimento:	2.82
SuperCompattato:	3.26
Anticapillare:	9.49
Scolico:	9.52
Bonifica:	7.61



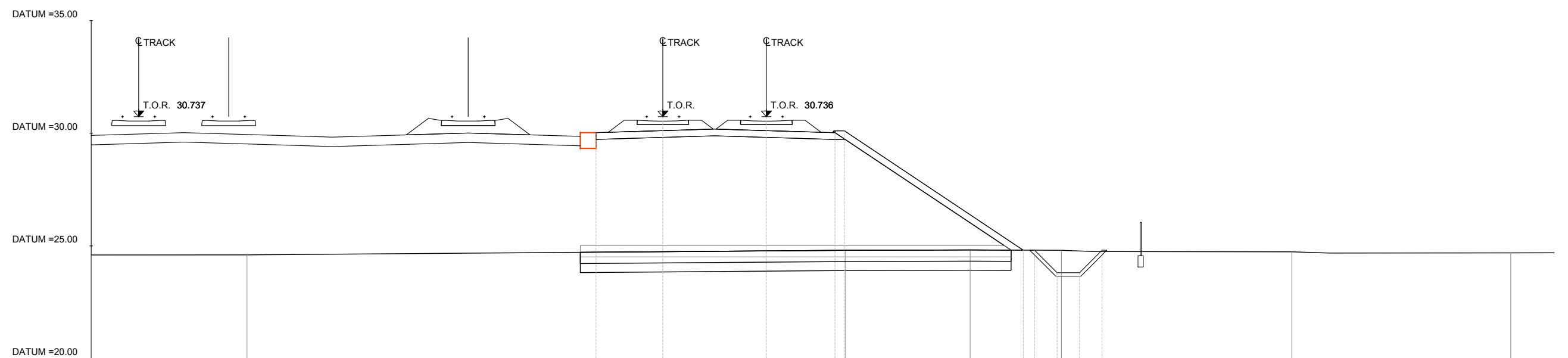
QUOTE TERRENO	24.69		24.65		24.67			24.79	24.81	24.80	24.82
DIST. PROGRESSIVE TERRENO	-30.00		-18.15		0.40			19.00	24.85	28.56	35.00
QUOTE PROGETTO				29.88	30.59	30.59	29.88 29.96		24.74 24.75	23.75 23.75	24.75
DIST. PROGRESSIVE PROGETTO				-7.57	-4.60	0.00	3.05 3.47		11.30 11.80	12.80 13.80	14.80
DISTANZA BINARI	-27.89	-23.89		-13.25		-4.60	0.00				

AREA	
Scavo:	2.62
Rilevato:	85.48
Ballast:	2.88
Inerbimento:	2.84
SuperCompattato:	3.26
Anticapillare:	9.51
Scotico:	9.54
Bonifica:	7.63



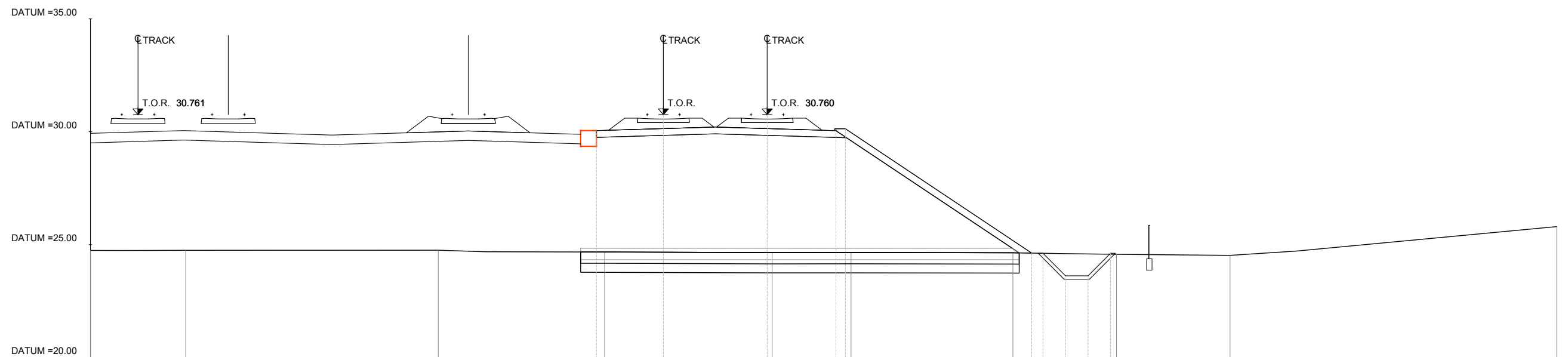
QUOTE TERRENO	24.81	24.67		24.69	24.75	24.74	24.73		24.75	24.73	24.74
DIST. PROGRESSIVE TERRENO	-30.00	-22.53		-3.67	4.12	7.31	11.22		24.45	28.91	35.00
QUOTE PROGETTO			29.91	30.62	30.62	29.91 29.99	24.73 24.73	23.73	23.73	24.73	
DIST. PROGRESSIVE PROGETTO			-7.57	-4.60	0.00	3.05 3.47	11.35 11.85	12.85	13.85	14.85	
DISTANZA BINARI	-27.89	-23.89	-13.25	-4.60	0.00						

AREA	
Scavo:	2.54
Rilevato:	86.68
Ballast:	2.88
Inerbimento:	2.86
SuperCompattato:	3.26
Anticapillare:	9.54
Scolico:	9.57
Bonifica:	7.66



QUOTE TERRENO	24.60	24.60			24.81	24.82	24.80		24.74	24.69
DIST. PROGRESSIVE TERRENO	-30.00	-23.07			3.52	9.05	13.11		23.34	33.07
QUOTE PROGETTO				30.03	30.74	30.74	30.03 30.11	24.81 24.81	23.81 23.81	24.81
DIST. PROGRESSIVE PROGETTO				-7.57	-4.60	0.00	3.05 3.47	11.41 11.91	12.91 13.91	14.91
DISTANZA BINARI	-27.89	-23.89	-13.25		-4.60	0.00				

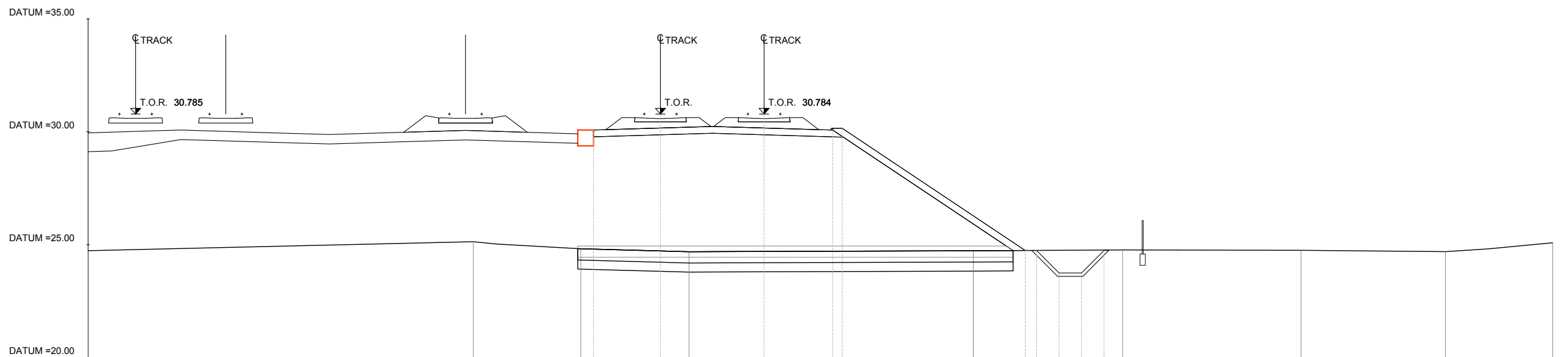
AREA	
Scavo:	2.54
Rilevato:	89.75
Ballast:	2.88
Inerbimento:	2.97
SuperCompattato:	3.26
Anticapillare:	9.69
Scotico:	9.72
Bonifica:	7.78



PROG 01+680.00
SEZ. RI04B_83

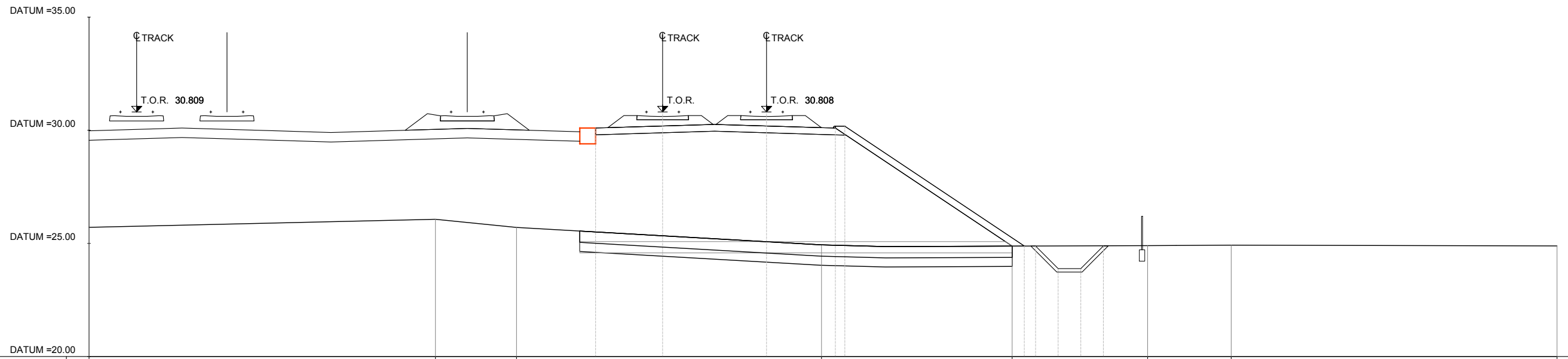
QUOTE TERRENO	24.74	24.75	24.75	24.67	24.65	24.65	24.64	24.57	24.52	25.80
DIST. PROGRESSIVE TERRENO	-30.00	-25.77	-14.58	-7.21	0.22	3.72	10.89	15.49	20.52	35.00
QUOTE PROGETTO				30.05	30.76	30.76	30.05 30.13	24.63 24.62	23.62 23.62	24.62
DIST. PROGRESSIVE PROGETTO				-7.57	-4.60	0.00	3.05 3.47	11.72 12.22	13.22 14.22	15.22
DISTANZA BINARI	-27.89	-23.89	-13.25	-4.60	0.00					

AREA	
Scavo:	2.65
Rilevato:	88.85
Ballast:	2.88
Inerbimento:	2.92
SuperCompattato:	3.26
Anticapillare:	9.63
Scotico:	9.66
Bonifica:	7.73



QUOTE TERRENO	24.73	25.13	24.81	24.69	24.73	24.77	24.75	24.69	25.08
DIST. PROGRESSIVE TERRENO	-30.00	-12.90	-8.13	-3.33	9.28	15.91	23.83	30.24	35.00
QUOTE PROGETTO			30.08	30.78	30.78	30.07 30.16	24.74 24.74	23.74 23.74	24.74
DIST. PROGRESSIVE PROGETTO			-7.57	-4.60	0.00	3.05 3.47	11.59 12.09	13.09 14.09	15.09
DISTANZA BINARI	-27.89	-23.89	-13.25	-4.60	0.00				

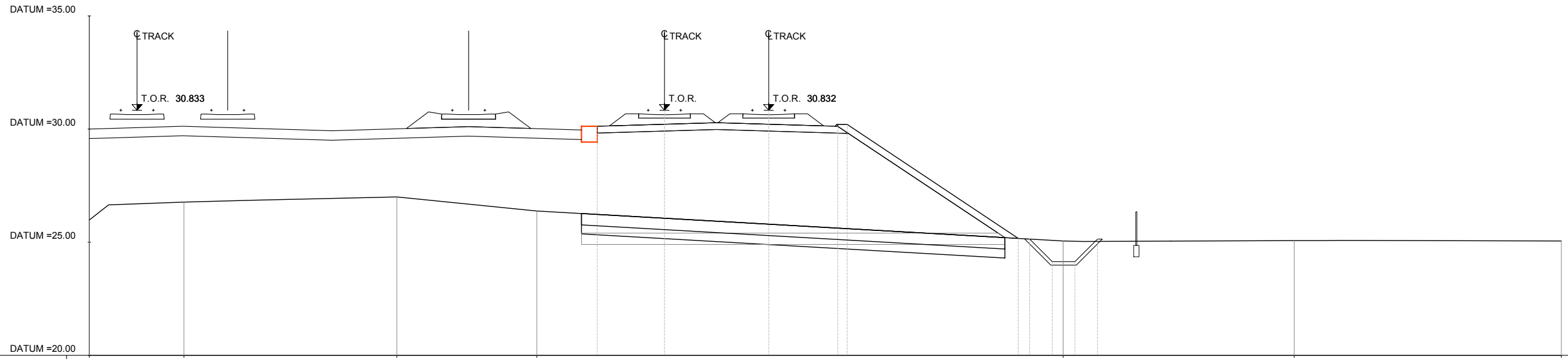
AREA	
Scavo:	2.63
Rilevato:	82.33
Ballast:	2.88
Inerbimento:	2.86
SuperCompattato:	3.26
Anticappare:	9.54
Scotico:	9.58
Bonifica:	7.66



PROG 01+720.00
SEZ. RI04B_85

QUOTE TERRENO	25.71	26.07	25.70	24.93	24.88	24.90	24.92	24.89					
DIST. PROGRESSIVE TERRENO	-30.00	-14.66	-11.07	2.43	10.87	16.87	20.57	35.00					
QUOTE PROGETTO				30.10	30.81	30.81	30.10	30.18	24.88	24.88	23.88	23.88	24.88
DIST.PROGRESSIVE PROGETTO				-7.57	-4.60	0.00	3.05	3.47	11.41	11.91	12.91	13.91	14.91
DISTANZA BINARI	-27.89	-23.89	-13.25	-4.60	0.00								

AREA	
Scavo:	2.38
Rilevato:	70.37
Ballast:	2.88
Inerbimento:	2.71
SuperCompattato:	3.26
Anticappare:	9.32
Scotico:	9.36
Bonifica:	7.49

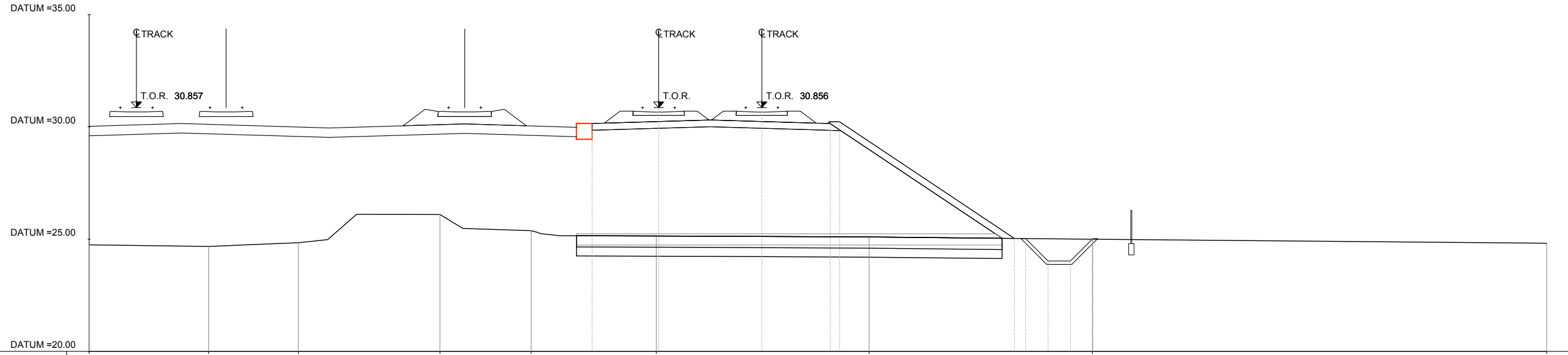


PROG 01+740.00
SEZ. RI04B_86

QUOTE TERRENO	25.98	26.77	27.00	26.38			25.05		25.07	25.05
DIST. PROGRESSIVE TERRENO	-30.00	-25.82	-16.42	-10.24			13.00		23.21	35.00
QUOTE PROGETTO					30.12	30.83	30.83	30.12 30.20	25.17 25.14	24.14 24.14 25.14
DIST. PROGRESSIVE PROGETTO					-7.57	-4.60	0.00	3.05 3.47	11.02 11.52	12.52 13.52 14.52
DISTANZA BINARI	-27.89	-23.89	-13.25		-4.60	0.00				

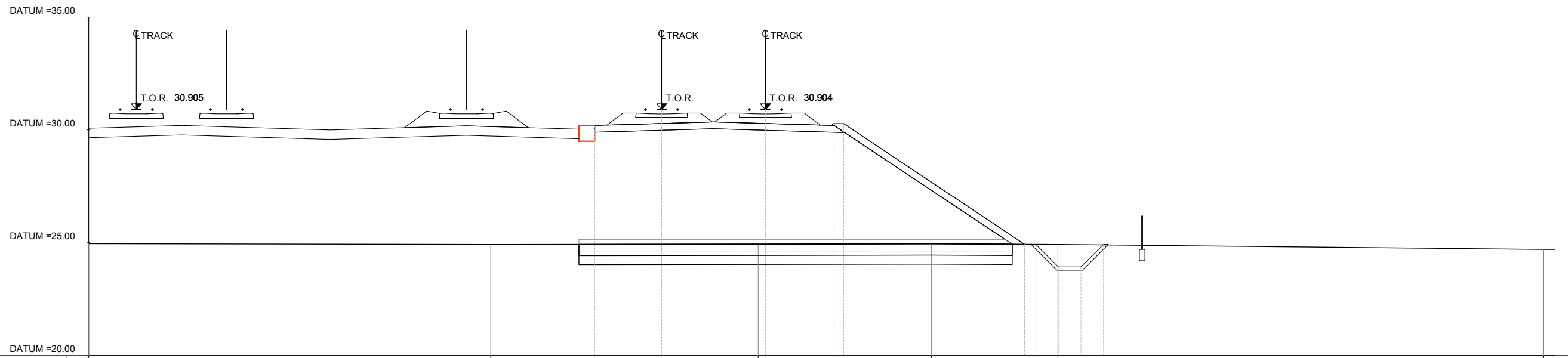
AREA	
Scavo:	2.56
Rilevato:	82.68
Ballast:	2.88
Inerbimento:	2.80
SuperCompattato:	3.26
Anticapillare:	9.46
Scotico:	9.49
Bonifica:	7.59

PROG 01+760.00
SEZ. RI04B_87



QUOTE TERRENO	24.74	24.67	24.84	26.09	25.38	25.14	25.10	24.99	24.82					
DIST. PROGRESSIVE TERRENO	-30.00	-24.67	-20.67	-14.35	-10.29	-4.71	4.78	14.74	35.00					
QUOTE PROGETTO						30.15	30.86	30.86	30.15	25.03	25.02	24.02	24.02	25.02
DIST. PROGRESSIVE PROGETTO						-7.57	-4.60	0.00	3.05	11.26	11.76	12.76	13.76	14.76
DISTANZA BINARI	-27.89	-23.89		-13.25		-4.60	0.00							

AREA	
Scavo:	2.58
Rilevato:	86.91
Ballast:	2.88
Inerbimento:	2.89
SuperCompattato:	3.26
Anticapillare:	9.57
Scotico:	9.60
Bonifica:	7.68

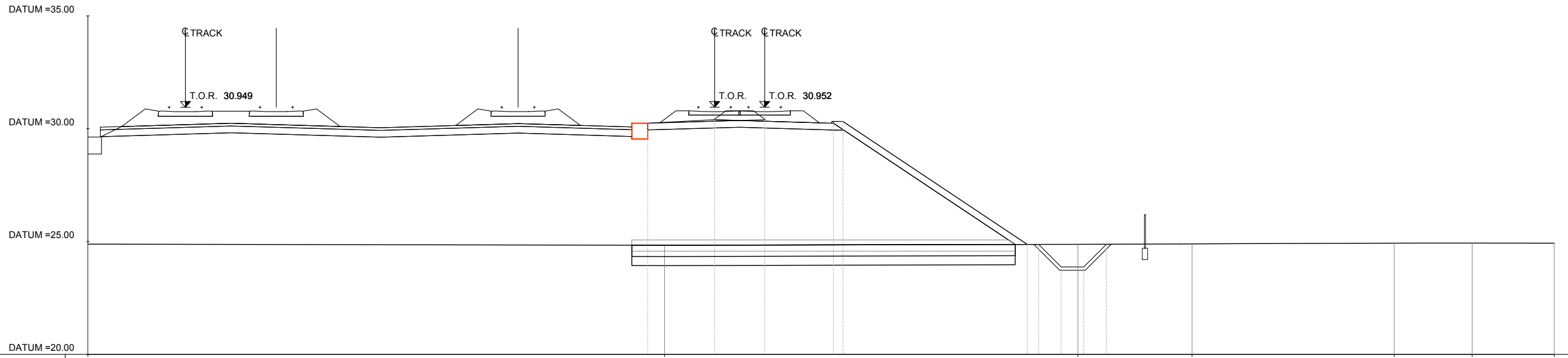


PROG 01+800.00
SEZ. RI04B_89

QUOTE TERRENO	24.96			24.92			24.94		24.95		24.92		24.70		
DIST. PROGRESSIVE TERRENO	-30.00			-12.18			-0.32		7.36		12.96		34.48		
QUOTE PROGETTO						30.20	30.90	30.90	30.19	30.28	24.93	24.93	23.93	23.93	24.93
DIST. PROGRESSIVE PROGETTO						-7.57	-4.60	0.00	3.05	3.47	11.48	11.98	12.98	13.98	14.98
DISTANZA BINARI	-27.89	-23.89		-13.25			-4.60	0.00							

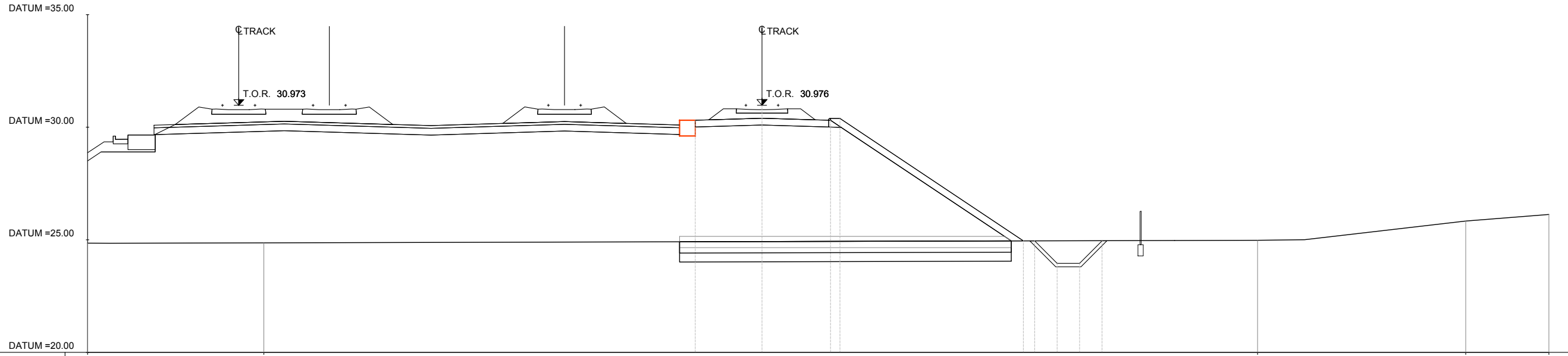
AREA	
Scavo:	2.63
Rilevato:	75.96
Ballast:	2.88
Inerbimento:	2.94
SuperCompattato:	2.54
Anticapillare:	8.47
Scotico:	8.50
Bonifica:	6.80

PROG 01+840.00
SEZ. RI04B_91



QUOTE TERRENO	24.88	24.83	24.88	24.89	24.93	24.93	24.93
DIST. PROGRESSIVE TERRENO	-30.00	-4.43	13.89	18.95	27.90	31.36	35.00
QUOTE PROGETTO		30.24	30.95	30.95	30.24	30.32	
DIST. PROGRESSIVE PROGETTO		-5.19	-2.22	0.00	3.05	3.47	
DISTANZA BINARI	-25.67	-21.65	-10.93	-2.22	0.00		

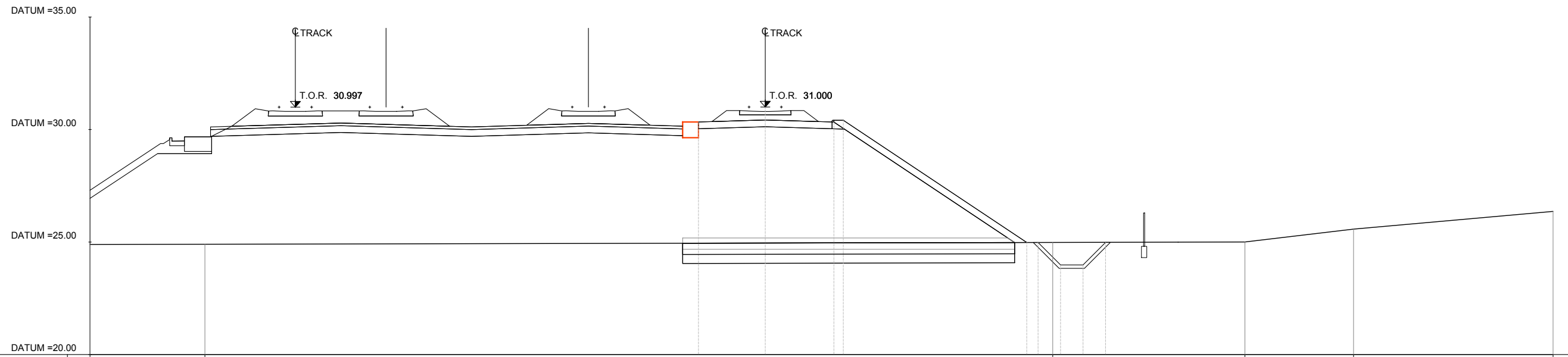
AREA	
Scavo:	2.63
Rilevato:	63.11
Ballast:	1.40
Inerbimento:	2.94
SuperCompattato:	1.88
Anticapillare:	7.35
Scotico:	7.38
Bonifica:	5.90



PROG 01+860.00
SEZ. RI04B_92

QUOTE TERRENO	24.85	24.86							24.98	25.83	26.12		
DIST. PROGRESSIVE TERRENO	-30.00	-22.16							22.04	31.30	35.00		
QUOTE PROGETTO					30.31	30.98	30.31	30.39	24.95	24.95	23.95	23.95	24.95
DIST. PROGRESSIVE PROGETTO					-2.97	0.00	3.05	3.47	11.63	12.13	13.13	14.13	15.13
DISTANZA BINARI		-23.27	-19.25		-8.78	0.00							

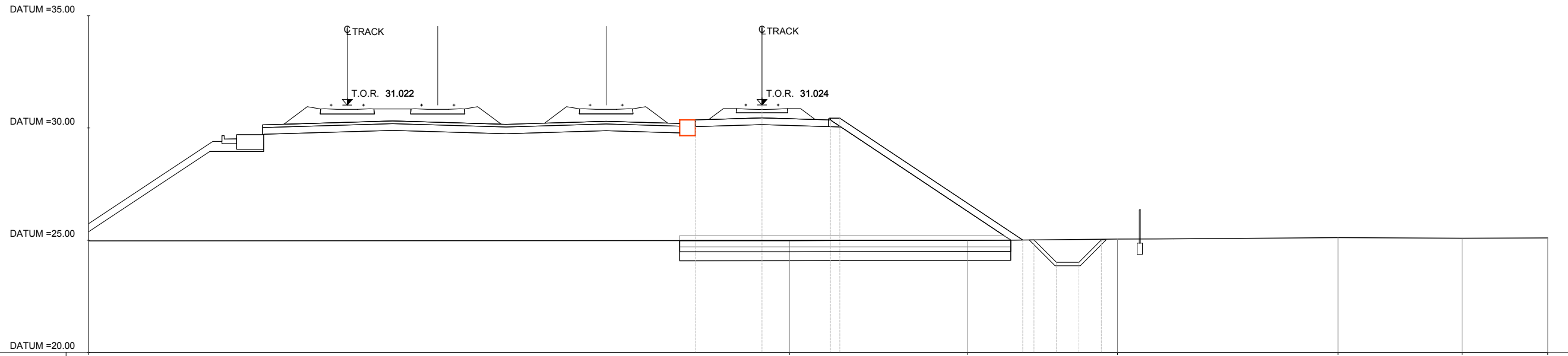
AREA	
Scavo:	2.63
Rilevato:	62.98
Ballast:	1.40
Inerbimento:	2.93
SuperCompattato:	1.88
Anticapillare:	7.34
Scotico:	7.37
Bonifica:	5.90



PROG 01+880.00
SEZ. RI04B_93

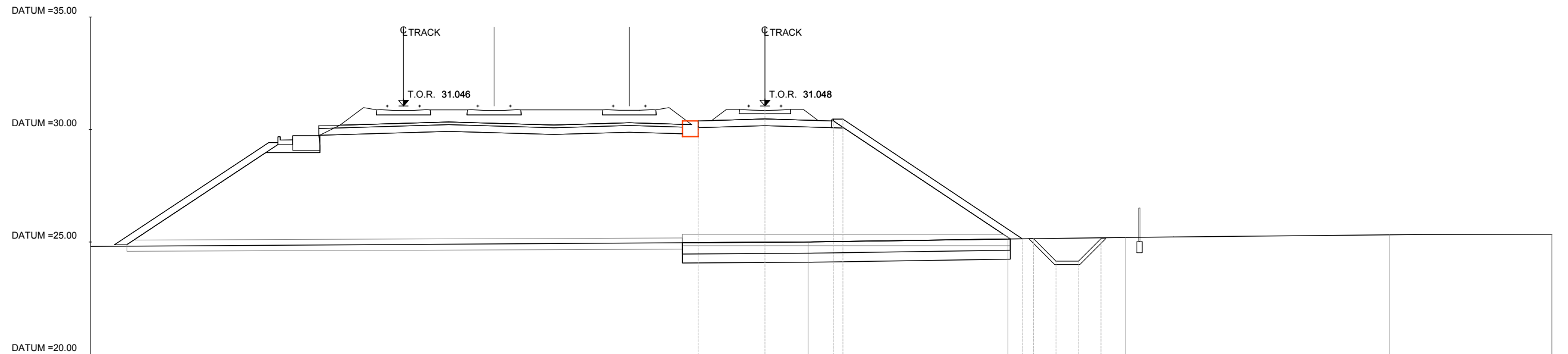
QUOTE TERRENO	24.89	24.90				24.98	25.00	25.57	26.36	
DIST. PROGRESSIVE TERRENO	-30.00	-24.89				12.77	21.31	26.14	35.00	
QUOTE PROGETTO					30.34	31.00	30.33 30.41	24.98 24.98	23.98 23.98	24.98
DIST. PROGRESSIVE PROGETTO					-2.97	0.00	3.05 3.47	11.62 12.12	13.12 14.12	15.12
DISTANZA BINARI			-20.87	-16.85		-7.86				0.00

AREA	
Scavo:	2.67
Rilevato:	62.97
Ballast:	1.40
Inerbimento:	2.93
SuperCompattato:	1.88
Anticapillare:	7.35
Scotico:	7.38
Bonifica:	5.90



QUOTE TERRENO	24.97	24.98	25.00	25.05	25.11	25.09	25.10
DIST. PROGRESSIVE TERRENO	-30.00	1.22	9.16	15.83	25.66	31.19	35.00
QUOTE PROGETTO		30.36	31.02	30.36 30.44	25.00 25.01	24.01	24.01 25.01
DIST. PROGRESSIVE PROGETTO		-2.97	0.00	3.05 3.47	11.62 12.12	13.12	14.12 15.12
DISTANZA BINARI	-18.47	-14.45	-6.94	0.00			

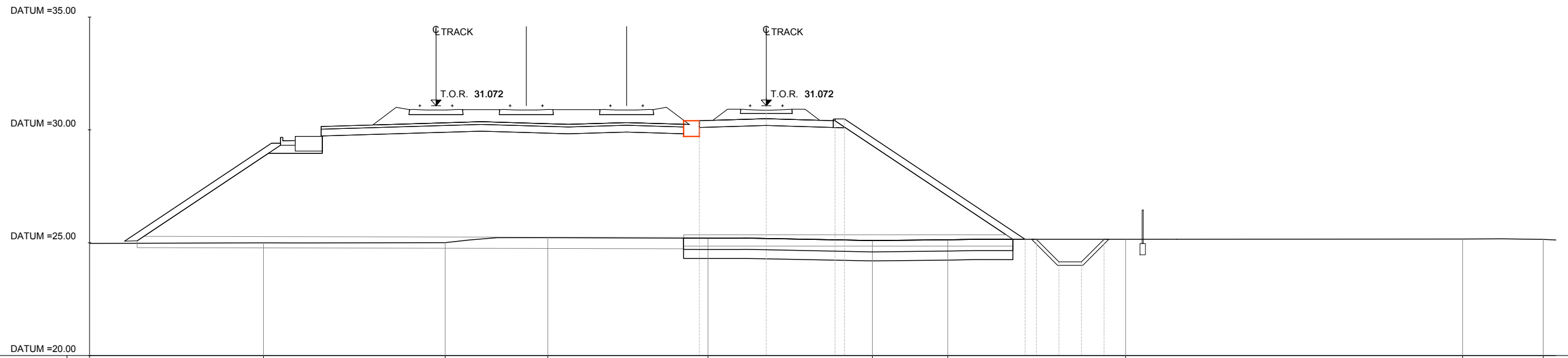
AREA	
Scavo:	2.68
Rilevato:	62.52
Ballast:	1.40
Inerbimento:	2.87
SuperCompattato:	1.88
Anticapillare:	7.26
Scotico:	7.29
Bonifica:	5.83



PROG 01+920.00
SEZ. RI04B_95

QUOTE TERRENO	24.80				25.00		25.13		25.20		25.32	25.34
DIST. PROGRESSIVE TERRENO	-30.00				1.92		10.81		16.02		27.79	35.00
QUOTE PROGETTO					30.38	31.05	30.38 30.46		25.14 25.15	24.15	24.15	25.15
DIST. PROGRESSIVE PROGETTO					-2.97	0.00	3.05 3.47		11.45 11.95	12.95	13.95	14.95
DISTANZA BINARI		-16.07	-12.05	-6.03		0.00						

AREA	
Scavo:	2.61
Rilevato:	61.23
Ballast:	1.40
Inerbimento:	2.88
SuperCompattato:	1.88
Anticapillare:	7.27
Scotico:	7.30
Bonifica:	5.84

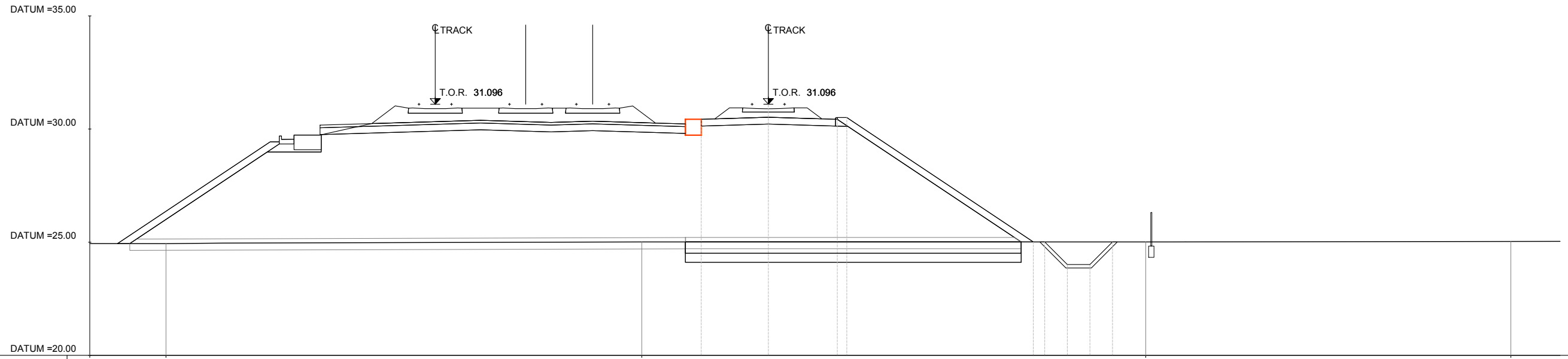


PROG 01+940.00
SEZ. RI04B_96

QUOTE TERRENO	24.97	25.00	25.00	25.22	25.20	25.09	25.13	25.15	25.16	25.14
DIST. PROGRESSIVE TERRENO	-30.00	-22.29	-14.23	-9.68	-2.59	4.70	8.04	15.92	30.86	34.44
QUOTE PROGETTO					30.41	31.07	30.41 30.49	25.15 25.15	24.15	24.15 24.15 25.15
DIST.PROGRESSIVE PROGETTO					-2.97	0.00	3.05 3.47	11.47 11.97	12.97	13.97 14.97
DISTANZA BINARI			-14.64	-10.64	-6.19	0.00				

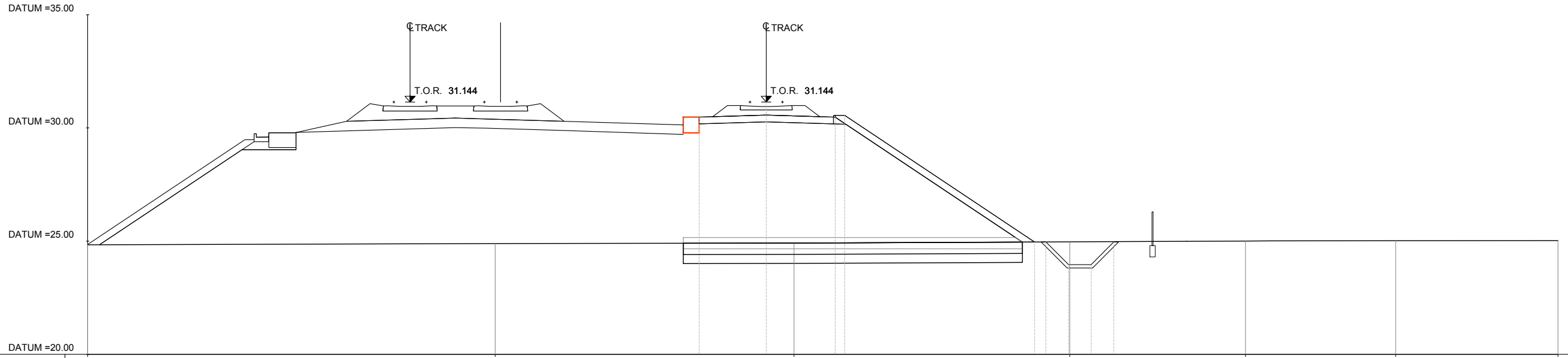
AREA	
Scavo:	2.62
Rilevato:	63.75
Ballast:	1.40
Inerbimento:	2.97
SuperCompattato:	1.88
Anticapillare:	7.39
Scotico:	7.42
Bonifica:	5.94

PROG 01+960.00
SEZ. RI04B_97



QUOTE TERRENO	24.94	24.93		25.01					25.01	25.03			
DIST. PROGRESSIVE TERRENO	-30.00	-26.63		-5.60					16.68	32.83			
QUOTE PROGETTO					30.43	31.10	30.43	30.51	25.01	25.01	24.01	24.01	25.01
DIST.PROGRESSIVE PROGETTO					-2.97	0.00	3.05	3.47	11.72	12.22	13.22	14.22	15.22
DISTANZA BINARI			-14.73	-10.73	-7.77	0.00							

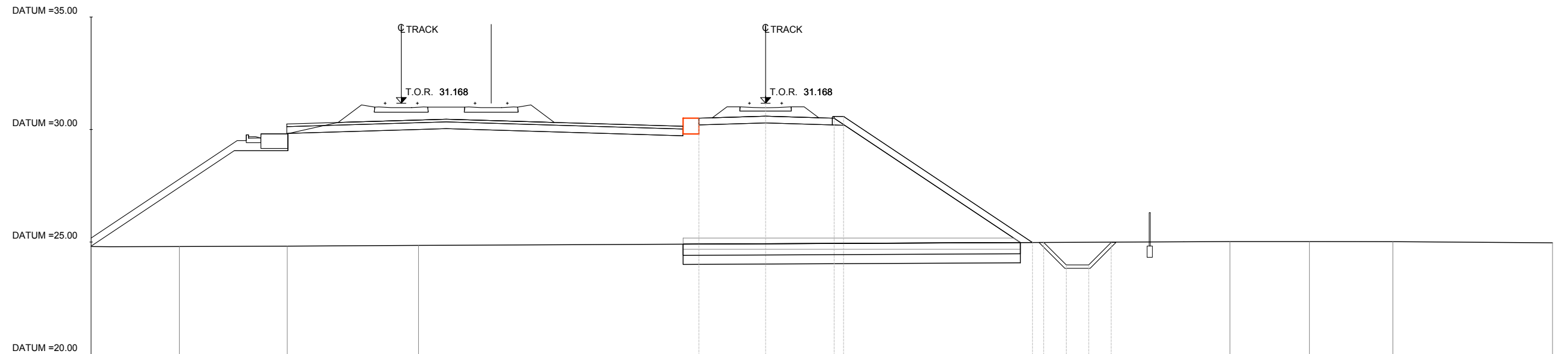
AREA	
Scavo:	2.64
Rilevato:	65.78
Ballast:	1.40
Inerbimento:	3.02
SuperCompattato:	1.88
Anticapillare:	7.47
Scotico:	7.50
Bonifica:	6.00



PROG 02+000.00
SEZ. RI04B_99

QUOTE TERRENO	24.84	24.89	24.91	24.97	25.00	25.02	25.02
DIST. PROGRESSIVE TERRENO	-30.00	-11.98	1.23	13.42	21.19	27.82	35.00
QUOTE PROGETTO			30.48	31.14	30.48	30.56	
DIST. PROGRESSIVE PROGETTO			-2.97	0.00	3.05	3.47	
DISTANZA BINARI		-15.75	-11.74	0.00			

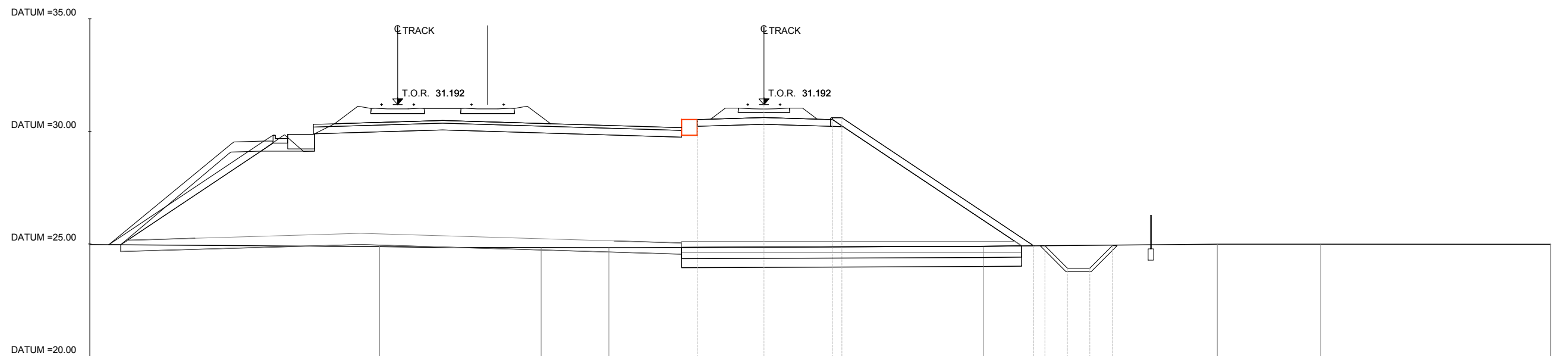
AREA	
Scavo:	2.64
Rilevato:	65.95
Ballast:	1.40
Inerbimento:	3.03
SuperCompattato:	1.88
Anticapillare:	7.47
Scotico:	7.50
Bonifica:	6.00



PROG 02+020.00
SEZ. RI04B_100

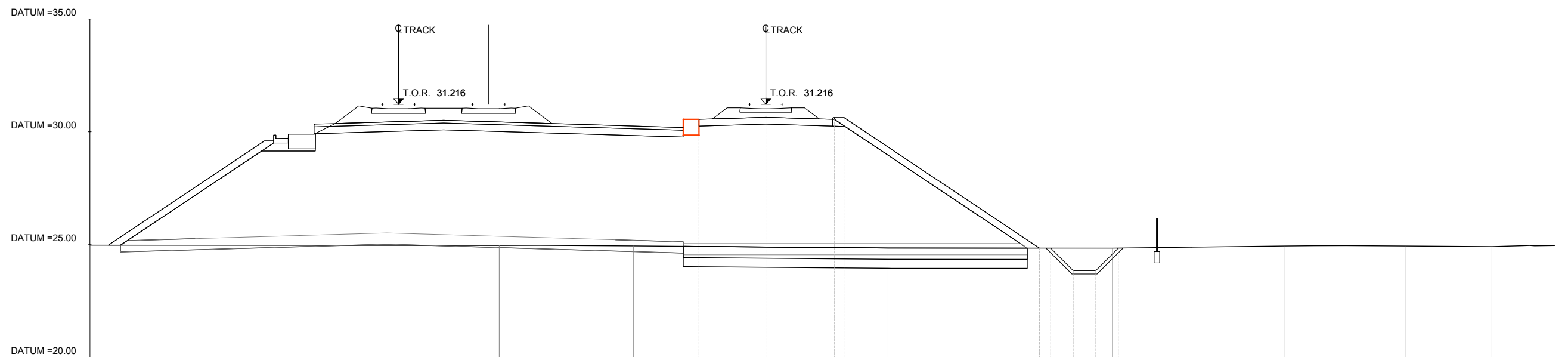
QUOTE TERRENO	24.80	24.80	24.82	24.85						25.02	25.02	25.02	24.96	
DIST. PROGRESSIVE TERRENO	-30.00	-26.08	-21.27	-15.44						20.66	24.19	27.90	35.00	
QUOTE PROGETTO						30.50	31.17	30.50	30.58	24.98	24.98	23.98	23.98	24.98
DIST. PROGRESSIVE PROGETTO						-2.97	0.00	3.05	3.47	11.87	12.37	13.37	14.37	15.37
DISTANZA BINARI				-16.20	-12.20		0.00							

AREA	
Scavo:	2.66
Rilevato:	67.36
Ballast:	1.40
Inerbimento:	3.07
SuperCompattato:	1.88
Anticapillare:	7.54
Scotico:	7.57
Bonifica:	6.05



QUOTE TERRENO	24.97	24.88	24.84	24.84	24.90	24.99	24.99	24.99
DIST. PROGRESSIVE TERRENO	-30.00	-17.10	-9.92	-6.90	9.77	20.17	24.77	35.00
QUOTE PROGETTO					30.53	31.19	30.53	30.61
DIST. PROGRESSIVE PROGETTO					-2.97	0.00	3.05	3.47
DISTANZA BINARI		-16.30	-12.30			0.00		
							12.00	24.92
							12.50	24.92
							13.50	23.92
							14.50	23.92
							15.50	24.92

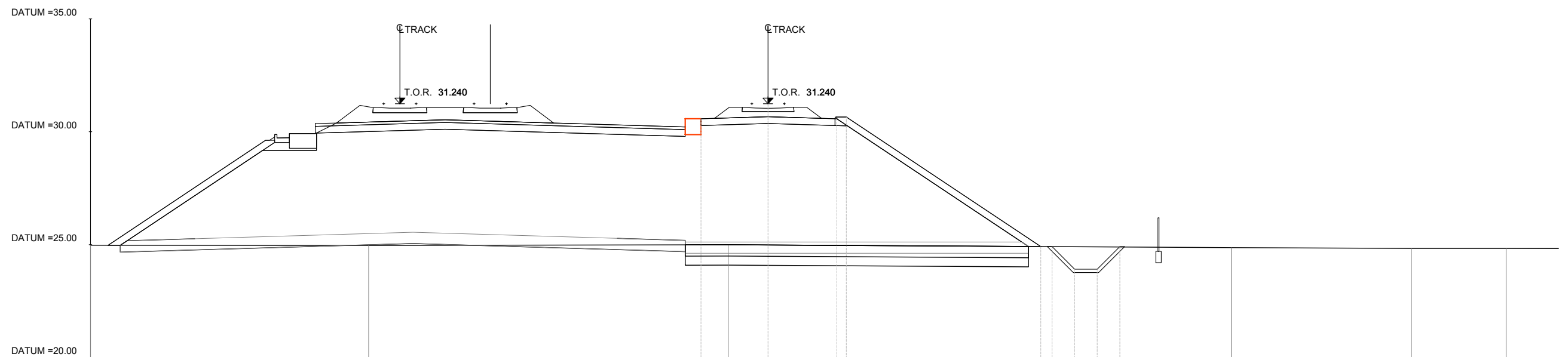
AREA	
Scavo:	2.61
Rilevato:	67.84
Ballast:	1.40
Inerbimento:	3.12
SuperCompattato:	1.88
Anticapillare:	7.60
Scotico:	7.63
Bonifica:	6.11



PROG 02+060.00
SEZ. RI04B_102

QUOTE TERRENO	24.98		24.96	24.94		24.85		24.85		24.94	24.94	24.91
DIST. PROGRESSIVE TERRENO	-30.00		-11.83	-5.87		5.42		15.39		22.99	28.41	32.23
QUOTE PROGETTO					30.55	31.22	30.55 30.63		24.85 24.85	23.85	23.85	24.85
DIST. PROGRESSIVE PROGETTO					-2.97	0.00	3.05 3.47		12.14 12.64	13.64	14.64	15.64
DISTANZA BINARI		-16.30	-12.30			0.00						

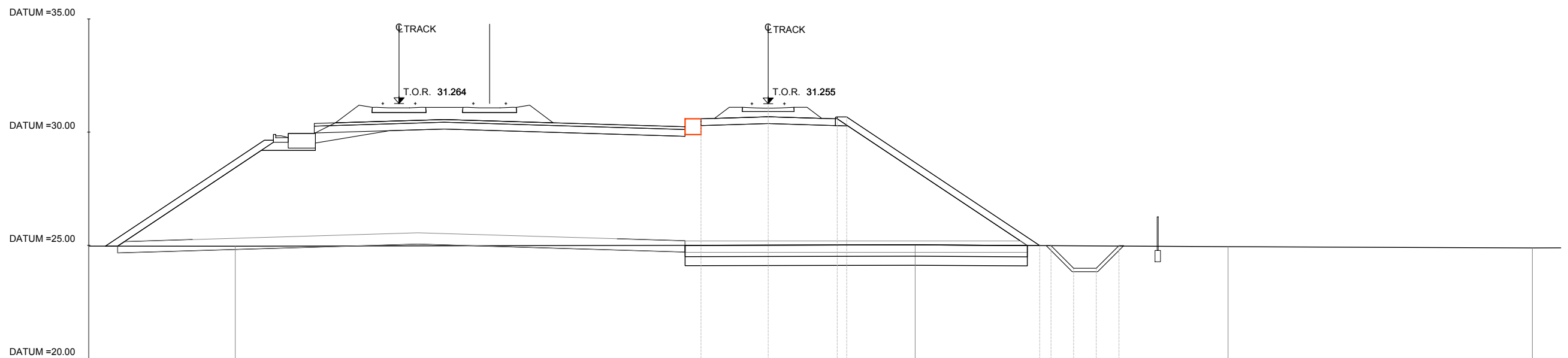
AREA	
Scavo:	2.59
Rilevato:	66.84
Ballast:	1.40
Inerbimento:	3.10
SuperCompattato:	1.88
Anticapillare:	7.57
Scotico:	7.60
Bonifica:	6.08



PROG 02+080.00
SEZ. RI04B_103

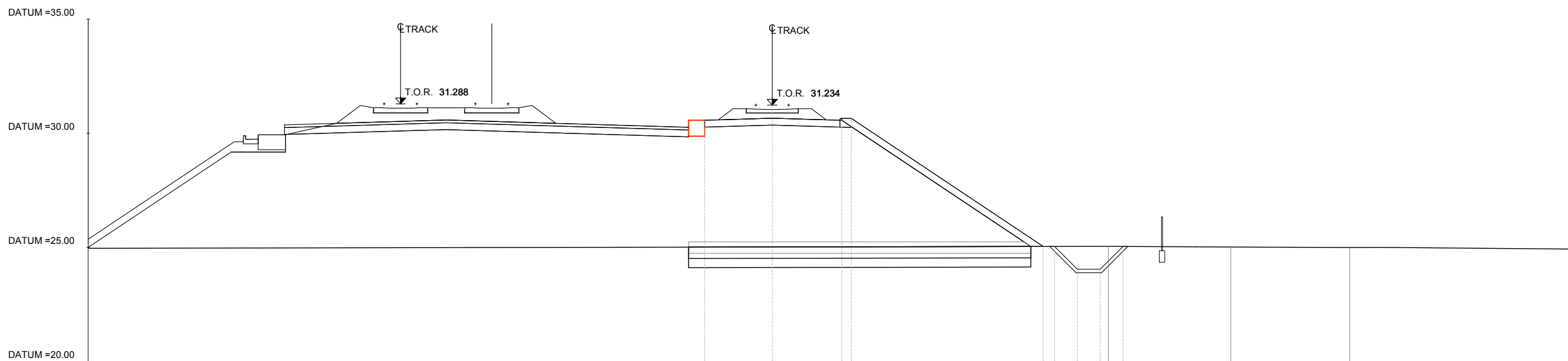
QUOTE TERRENO	24.97	24.96	24.99	24.91	24.91	24.91	24.87	24.83	24.83		
DIST. PROGRESSIVE TERRENO	-30.00	-17.68	-1.76				20.51	28.49	32.68		
QUOTE PROGETTO			30.58	31.24	30.57	30.65	24.91	24.91	23.91	23.91	24.91
DIST. PROGRESSIVE PROGETTO			-2.97	0.00	3.05	3.47	12.08	12.58	13.58	14.58	15.58
DISTANZA BINARI		-16.30	-12.30	0.00							

AREA	
Scavo:	2.59
Rilevato:	66.29
Ballast:	1.40
Inerbimento:	3.07
SuperCompattato:	1.88
Anticapillare:	7.53
Scotico:	7.56
Bonifica:	6.04



QUOTE TERRENO	24.97	24.96			25.02		24.94	24.89
DIST. PROGRESSIVE TERRENO	-30.00	-23.53			6.49		20.31	33.74
QUOTE PROGETTO				30.59	31.26	30.59	24.99	24.99
DIST.PROGRESSIVE PROGETTO				-2.97	0.00	3.05	11.99	12.49
						3.47	13.49	14.49
DISTANZA BINARI			-16.30	-12.30	0.00		15.49	

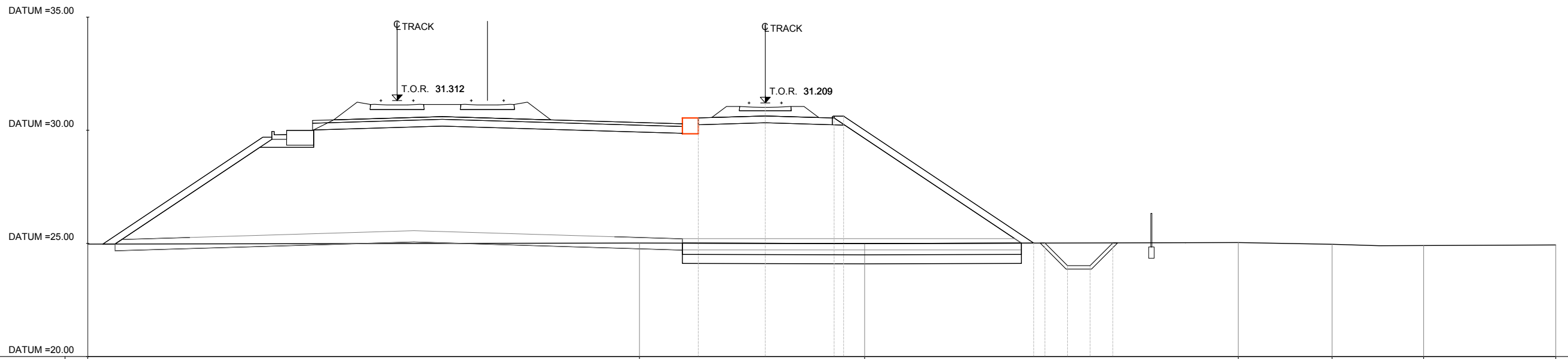
AREA	
Scavo:	2.62
Rilevato:	65.68
Ballast:	1.40
Inerbimento:	3.03
SuperCompattato:	1.88
Anticapillare:	7.47
Scotico:	7.50
Bonifica:	6.00



PROG 02+120.00
SEZ. RI04B_105

QUOTE TERRENO	24.96						25.05		25.01		24.99		24.93
DIST. PROGRESSIVE TERRENO	-30.00						14.74		20.11		25.32		35.00
QUOTE PROGETTO					30.57	31.23	30.57 30.65		25.04 25.04	24.04	24.04	25.04	
DIST.PROGRESSIVE PROGETTO					-2.97	0.00	3.05 3.47		11.88 12.38	13.38	14.38	15.38	
DISTANZA BINARI		-16.30	-12.30			0.00							

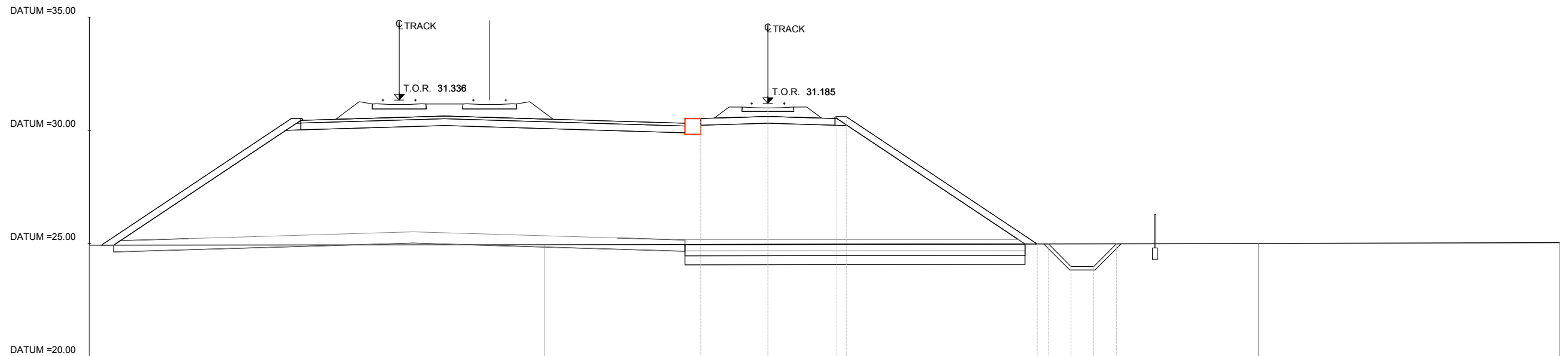
AREA	
Scavo:	2.63
Rilevato:	65.62
Ballast:	1.40
Inerbimento:	3.03
SuperCompattato:	1.88
Anticapillare:	7.48
Scotico:	7.51
Bonifica:	6.00



PROG 02+140.00
SEZ. RI04B_106

QUOTE TERRENO	24.97			25.02			25.00			25.03	24.96	24.90	24.93	
DIST. PROGRESSIVE TERRENO	-30.00			-5.57			4.40			20.94	25.10	29.15	35.00	
QUOTE PROGETTO						30.54	31.21	30.54	30.62	25.01	25.01	24.01	24.01	25.01
DIST. PROGRESSIVE PROGETTO						-2.97	0.00	3.05	3.47	11.88	12.38	13.38	14.38	15.38
DISTANZA BINARI			-16.30			-12.30		0.00						

AREA	
Scavo:	2.62
Rilevato:	65.90
Ballast:	1.40
Inerbimento:	3.04
SuperCompattato:	1.88
Anticappare:	7.49
Scotico:	7.52
Bonifica:	6.01

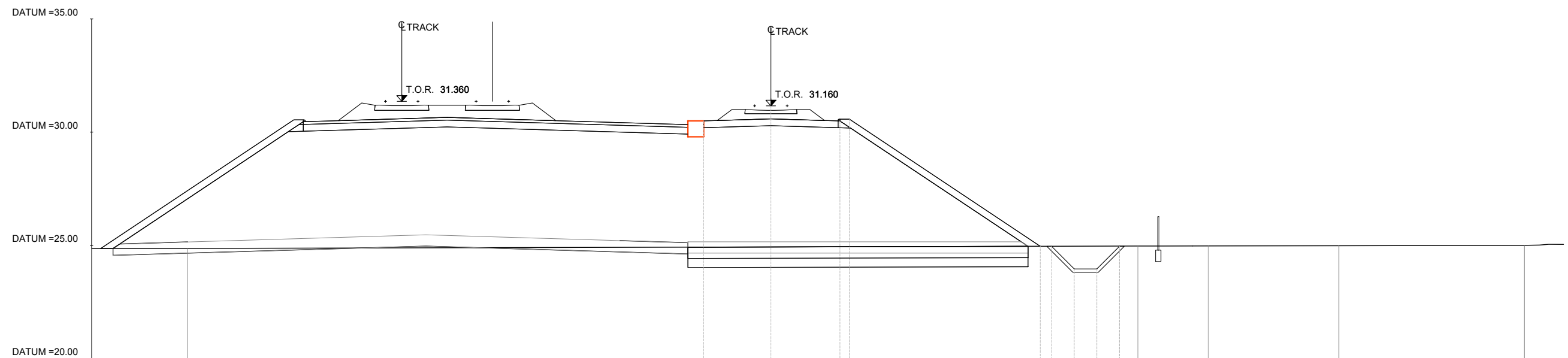


PROG 02+160.00
SEZ. RI04B_107

QUOTE TERRENO	24.92		24.94						24.99	25.03			
DIST. PROGRESSIVE TERRENO	-30.00		-9.86						21.68	35.00			
QUOTE PROGETTO					30.52	31.18	30.52	30.60	24.97	24.97	23.97	23.97	24.97
DIST. PROGRESSIVE PROGETTO					-2.97	0.00	3.05	3.47	11.90	12.40	13.40	14.40	15.40
DISTANZA BINARI		-16.30	-12.30			0.00							

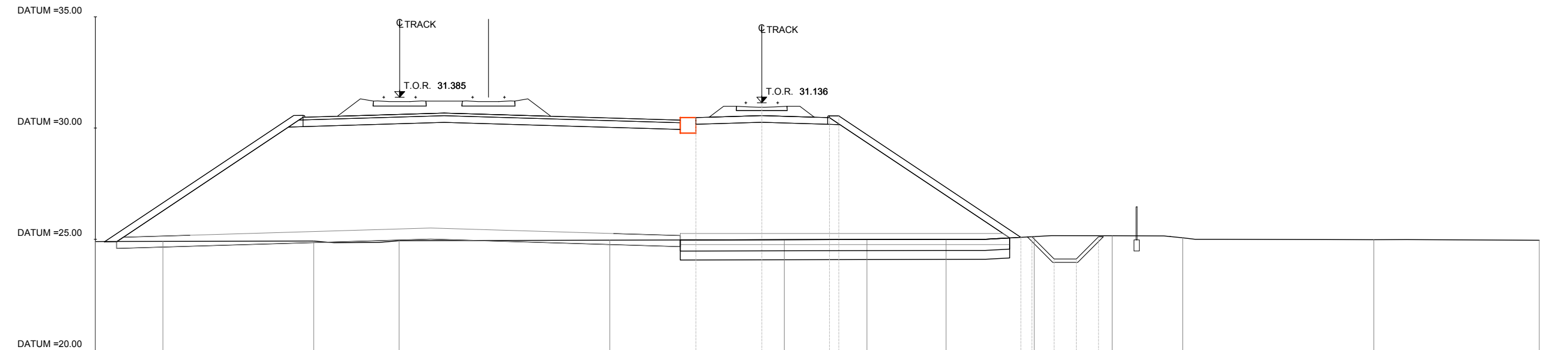
AREA	
Scavo:	2.63
Rilevato:	65.90
Ballast:	1.40
Inerbimento:	3.03
SuperCompattato:	1.88
Anticapillare:	7.48
Scotico:	7.51
Bonifica:	6.01

PROG 02+180.00
SEZ. RI04B_108



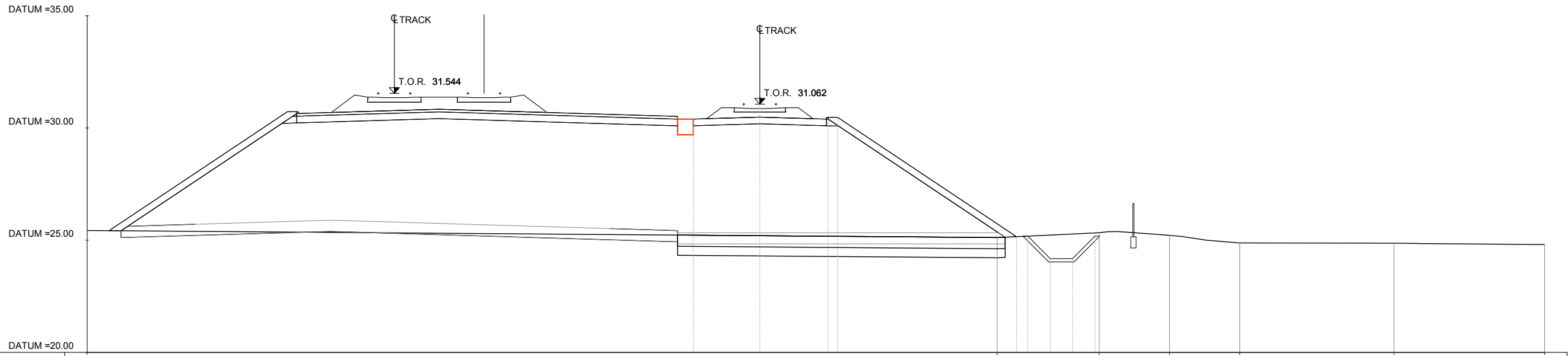
QUOTE TERRENO	24.86	24.86							24.97	24.97	24.98	25.00
DIST. PROGRESSIVE TERRENO	-30.00	-25.76							16.21	19.31	25.08	33.27
QUOTE PROGETTO					30.50	31.16	30.49 30.57		24.96 24.96	23.96	23.96	24.96
DIST. PROGRESSIVE PROGETTO					-2.97	0.00	3.05 3.47		11.89 12.39	13.39	14.39	15.39
DISTANZA BINARI			-16.30	-12.30		0.00						

AREA	
Scavo:	2.75
Rilevato:	64.65
Ballast:	1.40
Inerbimento:	2.96
SuperCompattato:	1.88
Anticappillare:	7.38
Scotico:	7.42
Bonifica:	5.93



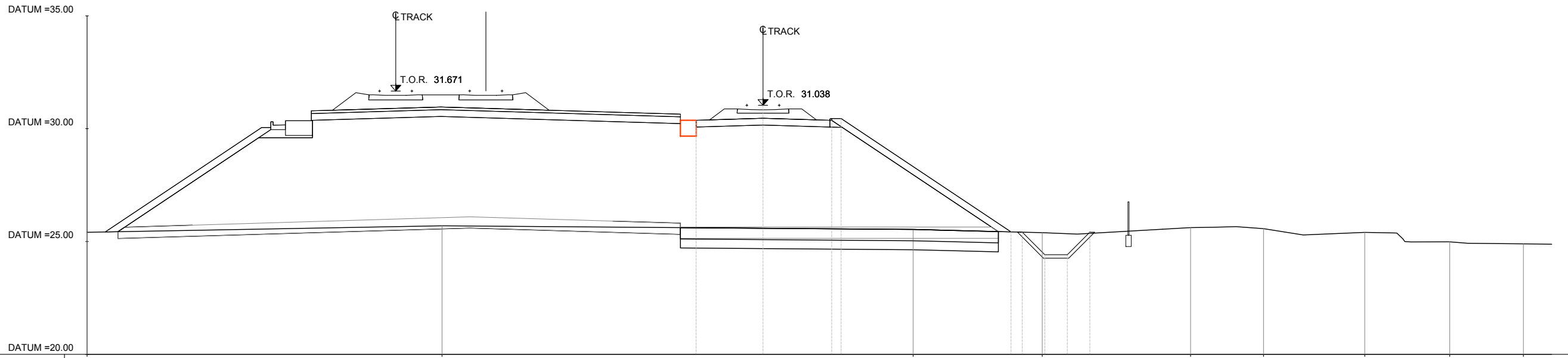
QUOTE TERRENO	24.90	24.90	24.92	24.94	24.96	24.98	24.99	25.00	25.12	25.16	25.07	24.98	24.96
DIST. PROGRESSIVE TERRENO	-30.00	-26.96	-20.17	-16.32	-6.84	1.01	4.74	8.30	12.27	15.77	18.95	27.55	35.00
QUOTE PROGETTO						30.47	31.14	30.47 30.55	25.09 25.11	24.11 24.11	25.11		
DIST. PROGRESSIVE PROGETTO						-2.97	0.00	3.05 3.47	11.66 12.16	13.16 14.16	15.16		
DISTANZA BINARI			-16.30	-12.30		0.00							

AREA	
Scavo:	2.86
Rilevato:	60.79
Ballast:	1.40
Inerbimento:	2.88
SuperCompattato:	1.88
Anticapillare:	7.28
Scotico:	7.31
Bonifica:	5.84



QUOTE TERRENO	25.43					25.12	25.33	25.22	24.88		24.87	24.80
DIST. PROGRESSIVE TERRENO	-30.00					10.59	15.13	18.27	21.40		28.28	35.00
QUOTE PROGETTO				30.40	31.06	30.39	25.16					
DIST.PROGRESSIVE PROGETTO				-2.97	0.00	3.05	11.45					
DISTANZA BINARI		-16.30	-12.30		0.00		11.95	12.95	13.95	14.95		
						30.48	25.18	24.18	24.18	25.18		

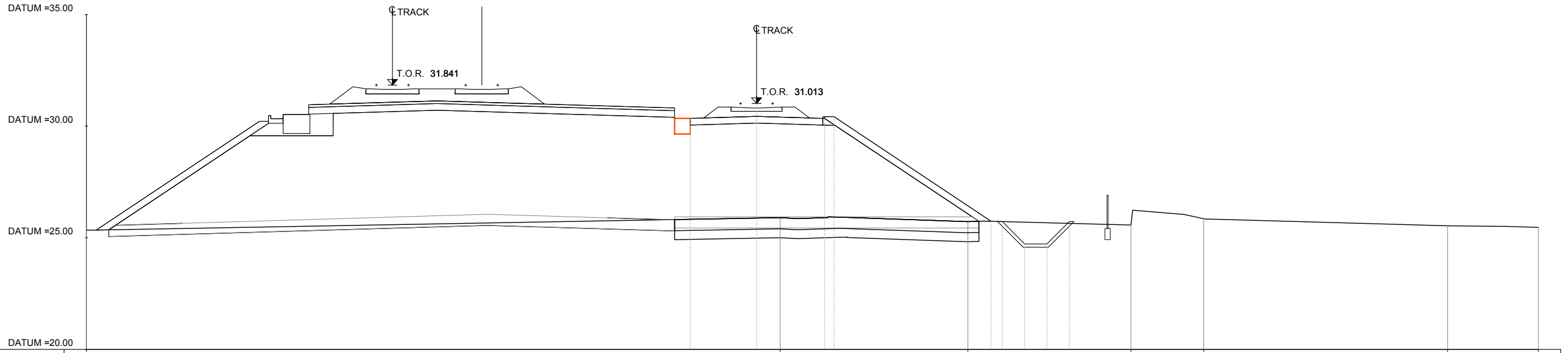
AREA	
Scavo:	2.48
Rilevato:	54.75
Ballast:	1.40
Inerbimento:	2.71
SuperCompattato:	1.88
Anticapillare:	7.03
Scotico:	7.06
Bonifica:	5.64



PROG 02+280.00
SEZ. RI04B_113

QUOTE TERRENO	25.41	25.70	25.53	25.39	25.62	25.57	25.40	24.99	24.89
DIST. PROGRESSIVE TERRENO	-30.00	-14.24	6.66	12.39	18.97	22.21	26.70	30.48	33.74
QUOTE PROGETTO			30.37	31.04	30.37	25.43	24.41	24.41	25.41
DIST. PROGRESSIVE PROGETTO			-2.97	0.00	3.05	11.00	12.50	13.50	14.50
DISTANZA BINARI		-16.30	-12.30	0.00					

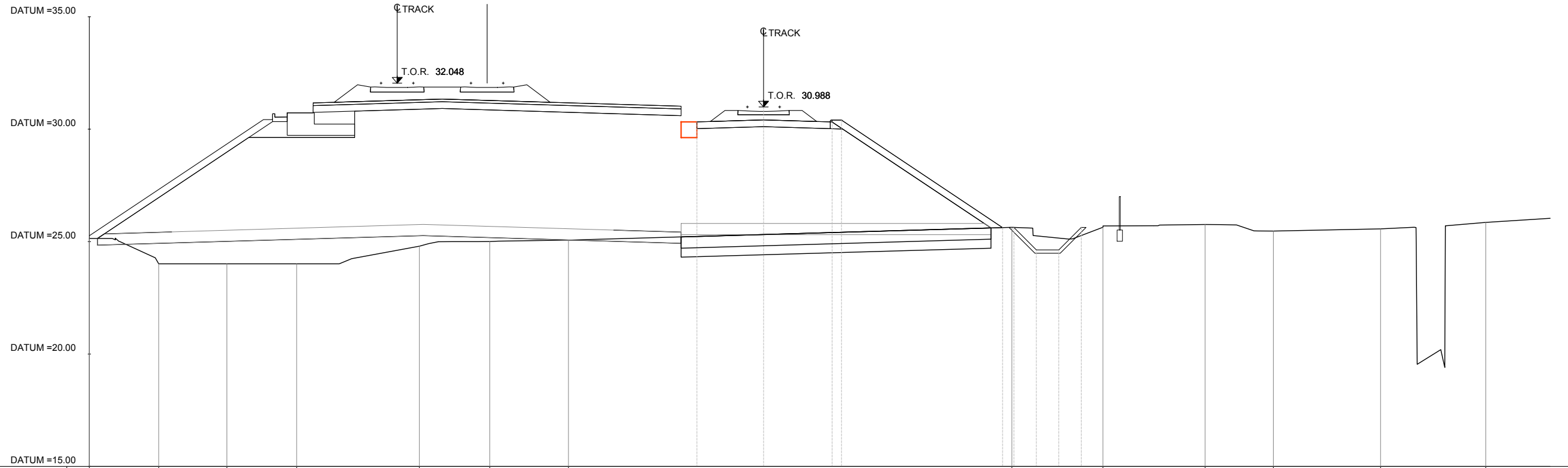
AREA	
Scavo:	2.48
Rilevato:	50.15
Ballast:	1.40
Inerbimento:	2.53
SuperCompattato:	1.88
Anticapillare:	6.78
Scotico:	6.82
Bonifica:	5.46



PROG 02+300.00
SEZ. RI04B_114

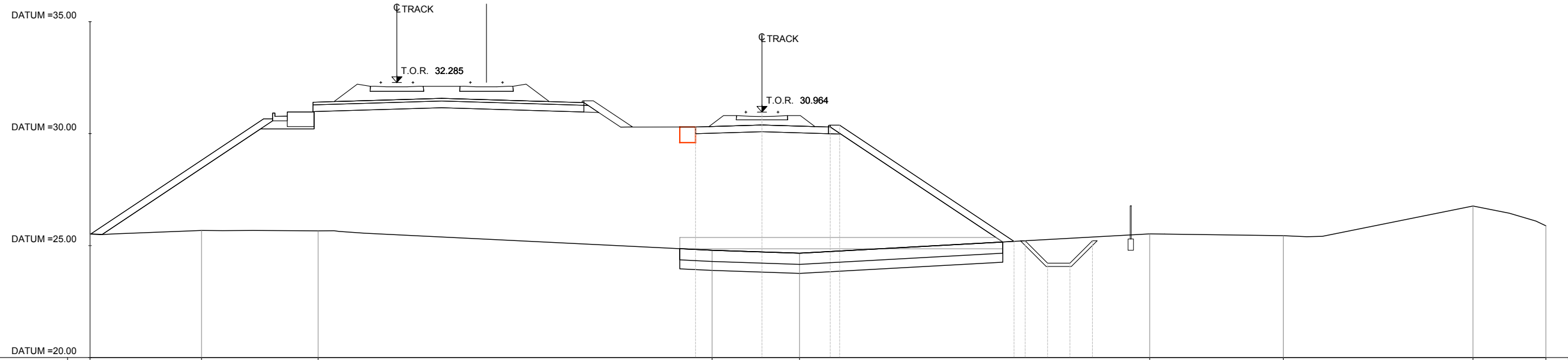
QUOTE TERRENO	-30.00	-16.30	-12.30	0.00	25.90	25.72	25.57	25.85	30.94	25.46
DIST. PROGRESSIVE TERRENO					1.06	9.46	16.77	20.02		
QUOTE PROGETTO				30.35	31.01	30.35 30.43	25.74 25.72	24.72 24.72		
DIST. PROGRESSIVE PROGETTO				-2.97	0.00	3.05 3.47	10.50 11.00	12.00 13.00 14.00		
DISTANZA BINARI					0.00					

AREA	
Scavo:	1.64
Rilevato:	55.89
Ballast:	1.40
Inerbimento:	2.58
SuperCompattato:	1.88
Anticapillare:	6.86
Scotico:	6.90
Bonifica:	5.52



QUOTE TERRENO	25.14	24.01	24.01	24.01	24.80	25.00	25.06			25.63	25.64	25.76	25.47	25.66	25.85
DIST. PROGRESSIVE TERRENO	-30.00	-26.91	-23.88	-20.77	-15.32	-12.18	-8.68			11.05	15.10	19.65	22.68	27.45	32.14
QUOTE PROGETTO									30.32	30.99	30.32	30.40			
DIST. PROGRESSIVE PROGETTO									-2.97	0.00	3.05	3.47			
DISTANZA BINARI					-16.30	-12.30				0.00					

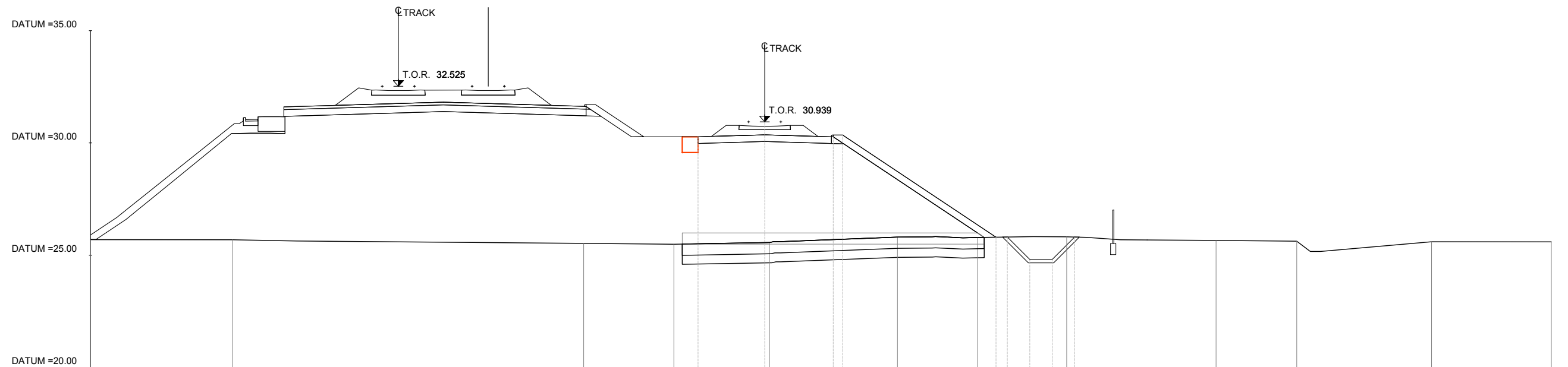
AREA	
Scavo:	2.90
Rilevato:	63.87
Ballast:	1.40
Inerbimento:	2.81
SuperCompattato:	1.88
Anticapillare:	7.18
Scotico:	7.22
Bonifica:	5.78



PROG 02+340.00
SEZ. RI04B_116

QUOTE TERRENO	25.52	25.68	25.66		24.79	24.66		25.52	25.44	26.77	25.88
DIST. PROGRESSIVE TERRENO	-30.00	-25.02	-19.81		-2.22	1.68		17.31	23.27	31.75	35.00
QUOTE PROGETTO					30.30	30.96	30.30 30.38	25.19 25.22	24.22 24.22	25.22	
DIST. PROGRESSIVE PROGETTO					-2.97	0.00	3.05 3.47	11.25 11.75	12.75 13.75	14.75	
DISTANZA BINARI			-16.30	-12.30		0.00					

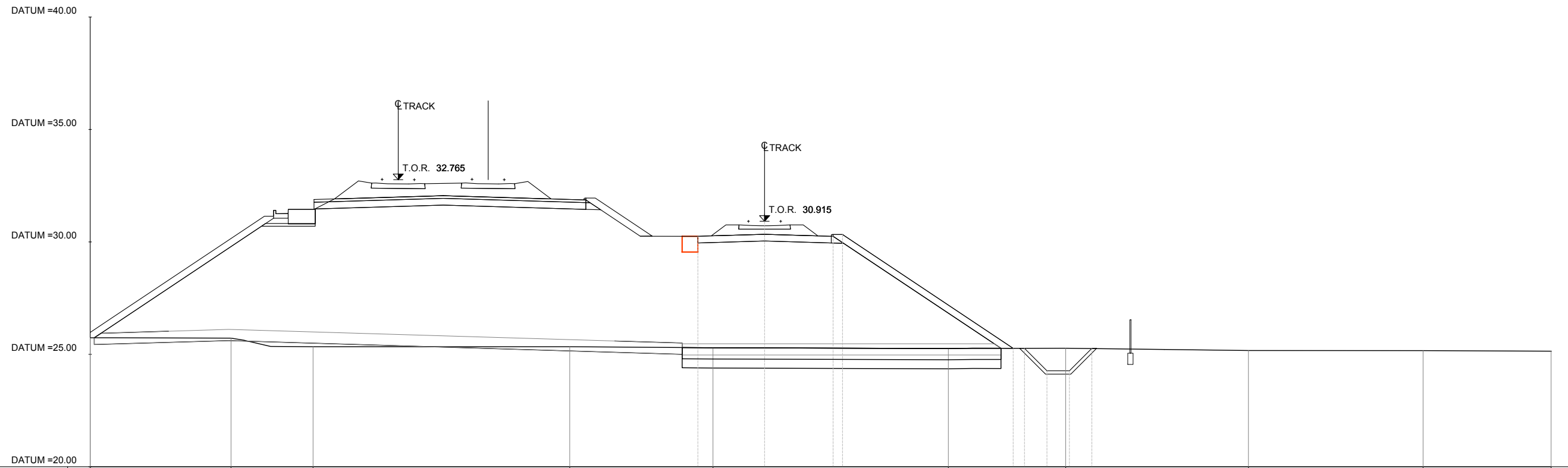
AREA	
Scavo:	2.65
Rilevato:	51.30
Ballast:	1.40
Inerbimento:	2.46
SuperCompattato:	1.88
Anticapillare:	6.69
Scotico:	6.72
Bonifica:	5.38



PROG 02+360.00
SEZ. RI04B_117

QUOTE TERRENO	25.69	25.69	25.53	25.49	25.56	25.81	25.79	25.82	25.66	25.63	25.60	25.59
DIST. PROGRESSIVE TERRENO	-30.00	-23.68	-8.06	-4.04	0.21	5.91	9.47	13.44	20.09	23.67	29.67	35.00
QUOTE PROGETTO				30.27	30.94	30.27 30.35	25.80 25.81	24.81 24.81	25.81			
DIST. PROGRESSIVE PROGETTO				-2.97	0.00	3.05 3.47	10.29 10.79	11.79 12.79	13.79			
DISTANZA BINARI			-16.30	-12.30	0.00							

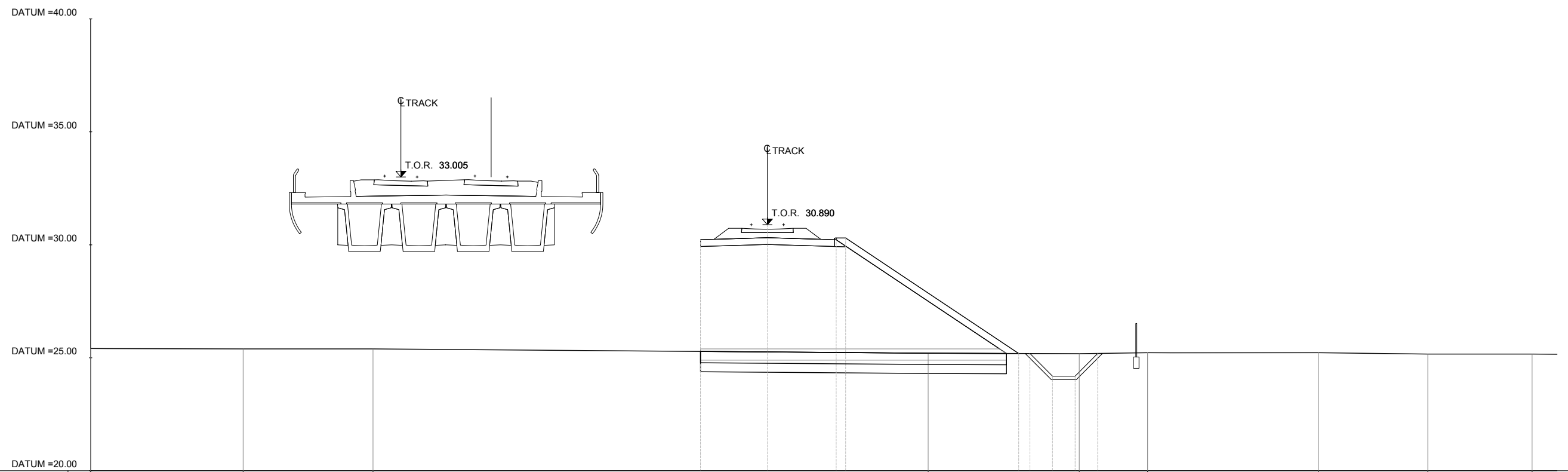
AREA	
Scavo:	2.61
Rilevato:	56.95
Ballast:	1.40
Inerbimento:	2.73
SuperCompattato:	1.88
Anticapillare:	7.06
Scotico:	7.09
Bonifica:	5.67



PROG 02+380.00
SEZ. RI04B_118

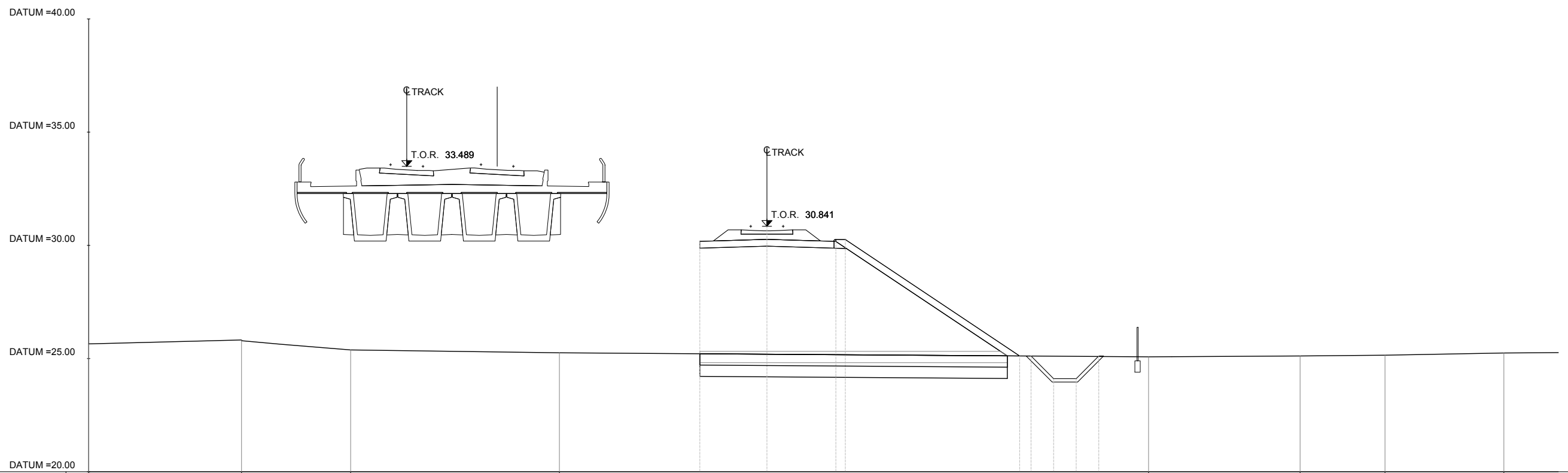
QUOTE TERRENO	25.74	25.72	25.34	25.34	25.29	30.25	30.91	30.25	25.27	25.17	25.17	25.14	
DIST. PROGRESSIVE TERRENO	-30.00	-23.73	-20.08	-8.67	-2.29	8.17	13.39	21.52	29.29	34.99			
QUOTE PROGETTO						30.25	30.91	30.25	25.27	25.27	24.27	24.27	25.27
DIST. PROGRESSIVE PROGETTO						-2.97	0.00	3.05	11.06	11.56	12.56	13.56	14.56
DISTANZA BINARI				-16.30	-12.30		0.00						

AREA	
Scavo:	2.61
Rilevato:	53.91
Ballast:	1.40
Inerbimento:	2.76
SuperCompattato:	1.88
Anticapillare:	6.75
Scotico:	6.78
Bonifica:	5.43



QUOTE TERRENO	25.41	25.39	25.39		25.20	25.18	25.22	25.22	25.17	25.16
DIST. PROGRESSIVE TERRENO	-30.00	-23.24	-17.48		7.13	13.82	16.86	24.44	29.28	33.90
QUOTE PROGETTO					30.23	30.89	30.22 30.30	25.19 25.19	24.19	24.19 25.19
DIST. PROGRESSIVE PROGETTO					-2.97	0.00	3.05 3.47	11.14 11.64	12.64	13.64 14.64
DISTANZA BINARI			-16.24	-12.24		0.00				

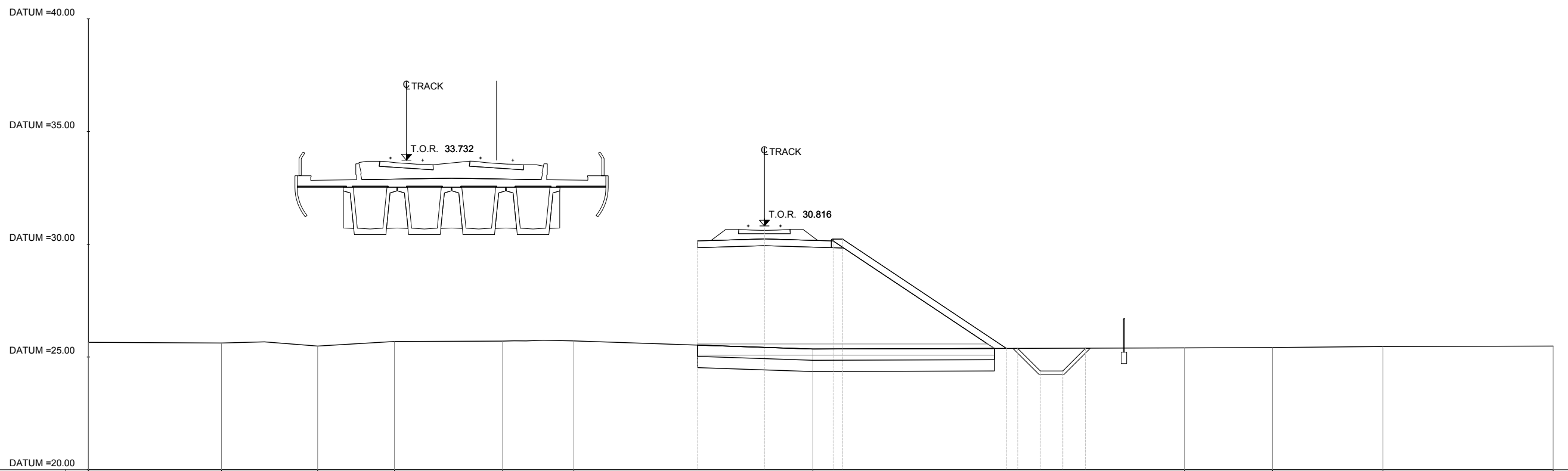
AREA	
Scavo:	2.58
Rilevato:	54.16
Ballast:	1.40
Inerbimento:	2.77
SuperCompattato:	1.88
Anticapillare:	6.77
Scotico:	6.80
Bonifica:	6.80



PROG 02+440.00
SEZ. RI04B_121

QUOTE TERRENO	25.65	25.82	25.38	25.25						25.08	25.11	25.15	25.25
DIST. PROGRESSIVE TERRENO	-30.00	-23.24	-18.41	-9.18						16.88	23.58	27.33	32.59
QUOTE PROGETTO						30.18	30.84	30.17 30.25		25.11 25.11	24.11	24.11	25.11
DIST. PROGRESSIVE PROGETTO						-2.97	0.00	3.05 3.47		11.18 11.68	12.68	13.68	14.68
DISTANZA BINARI			-15.93	-11.93			0.00						

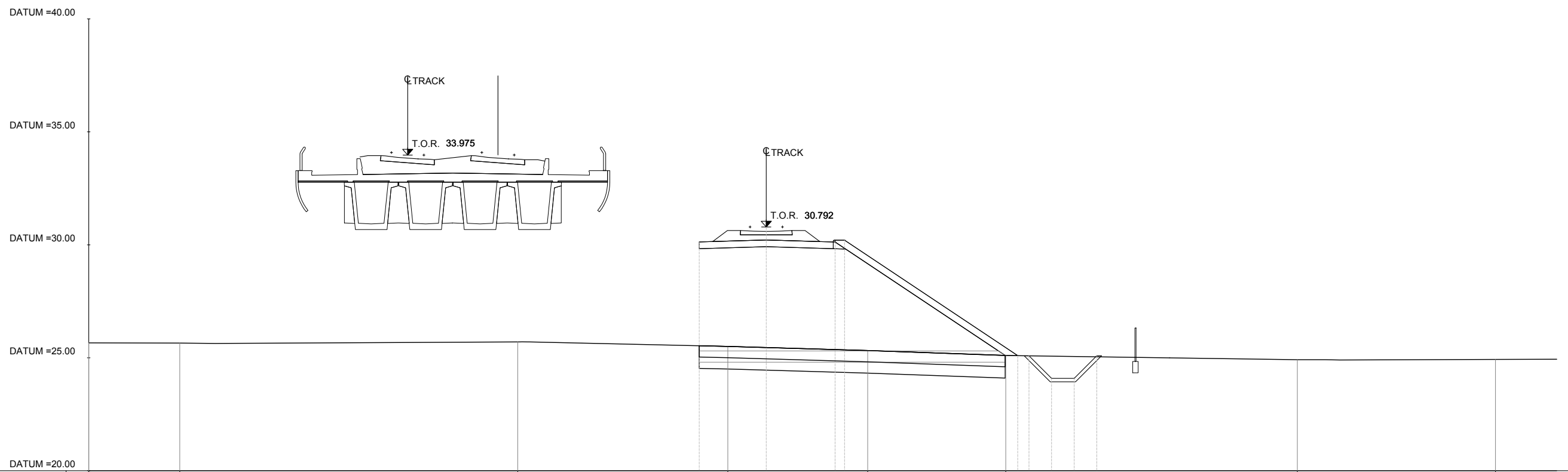
AREA	
Scavo:	2.63
Rilevato:	50.53
Ballast:	1.40
Inerbimento:	2.62
SuperCompattato:	1.88
Anticapillare:	6.56
Scotico:	6.59
Bonifica:	6.59



PROG 02+460.00
SEZ. RI04B_122

QUOTE TERRENO	25.65	25.62	25.49	25.69	25.71	25.71	25.36	25.40	25.42	25.47	25.48
DIST. PROGRESSIVE TERRENO	-30.00	-24.09	-19.83	-16.42	-11.62	-8.46	2.15	18.64	22.55	27.45	35.00
QUOTE PROGETTO							30.15 30.82 30.15 30.23	25.38 25.38 24.38 24.38 25.38			
DIST.PROGRESSIVE PROGETTO							-2.97 0.00 3.05 3.47	10.74 11.24 12.24 13.24 14.24			
DISTANZA BINARI			-15.88	-11.88			0.00				

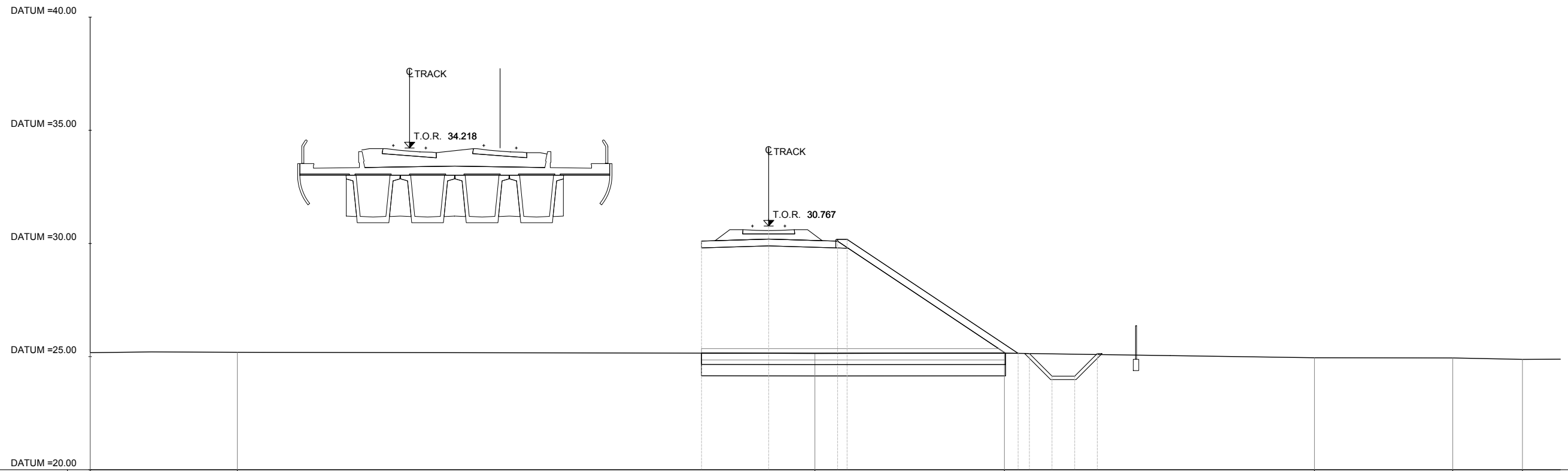
AREA	
Scavo:	2.54
Rilevato:	51.20
Ballast:	1.40
Inerbimento:	2.76
SuperCompattato:	1.88
Anticapillare:	6.74
Scotico:	6.78
Bonifica:	6.78



PROG 02+480.00
SEZ. RI04B_123

QUOTE TERRENO	25.66	25.65	25.70	25.50	25.32	25.10	24.91	24.93
DIST. PROGRESSIVE TERRENO	-30.00	-25.97	-11.00	-1.70	4.49	10.60	23.52	32.29
QUOTE PROGETTO				30.13	30.79	30.12 30.21	25.09 25.09	24.09 24.09 25.09
DIST. PROGRESSIVE PROGETTO				-2.97	0.00	3.05 3.47	11.13 11.63	12.63 13.63 14.63
DISTANZA BINARI		-15.88	-11.88	0.00				

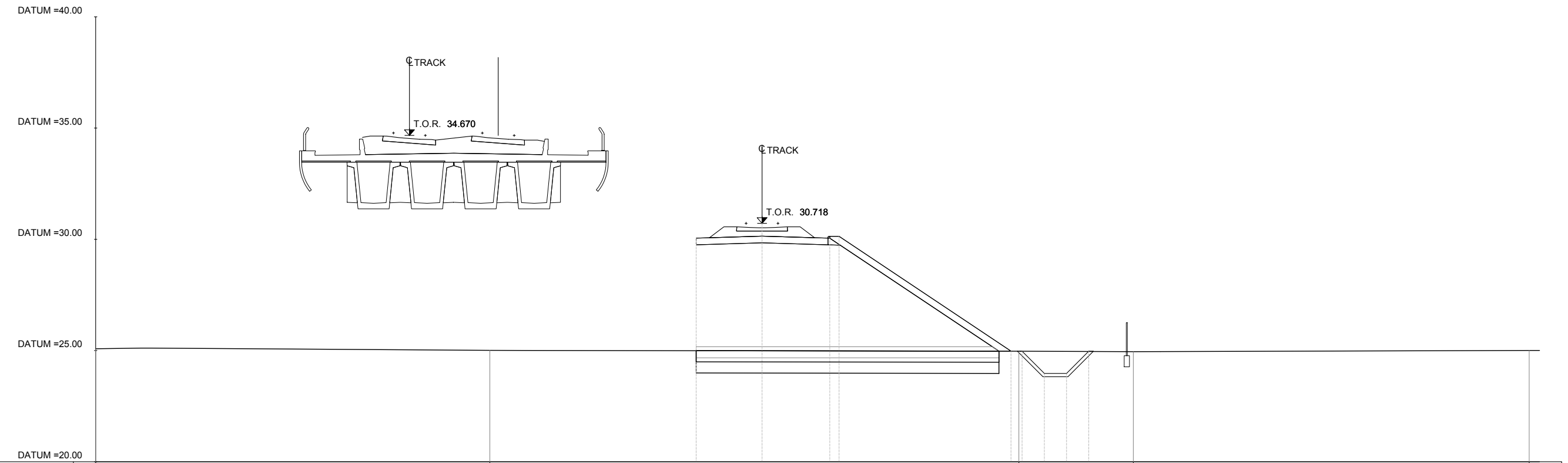
AREA	
Scavo:	2.54
Rilevato:	53.31
Ballast:	1.40
Inerbimento:	2.72
SuperCompattato:	1.88
Anticapillare:	6.69
Scotico:	6.72
Bonifica:	6.72



PROG 02+500.00
SEZ. RI04B_124

QUOTE TERRENO	25.17	25.19		25.14	25.15		24.95	24.94	24.88	
DIST. PROGRESSIVE TERRENO	-30.00	-23.49		2.04	10.42		24.13	30.24	33.32	
QUOTE PROGETTO				30.10	30.77	30.10 30.18	25.14 25.13	24.13	24.13	25.13
DIST. PROGRESSIVE PROGETTO				-2.97	0.00	3.05 3.47	11.03 11.53	12.53	13.53	14.53
DISTANZA BINARI			-15.88	-11.88	0.00					

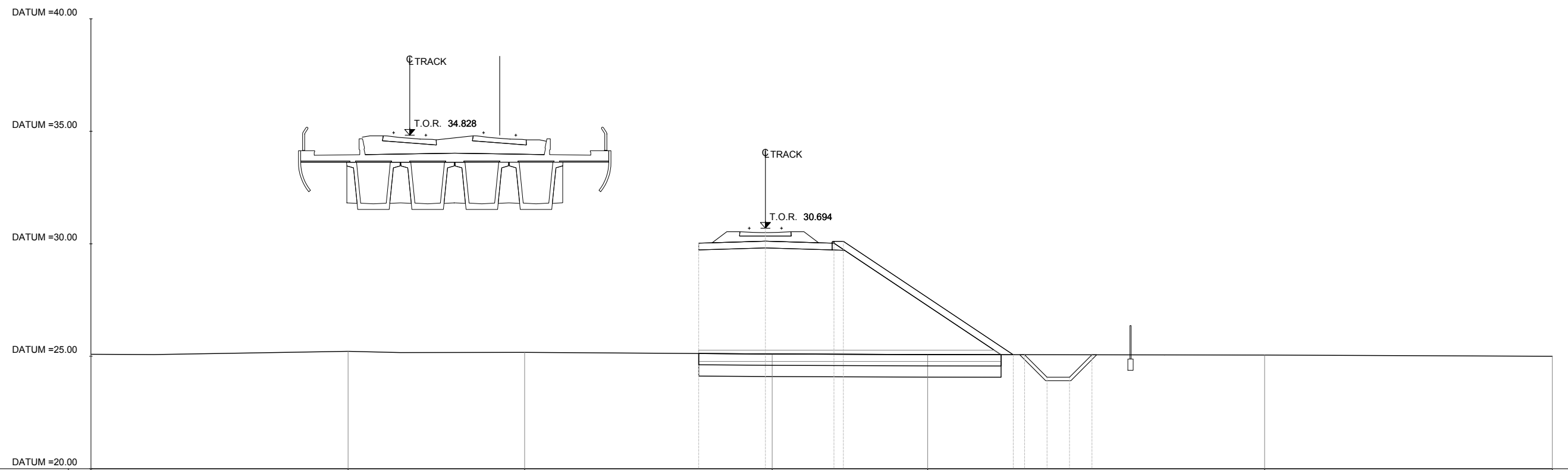
AREA	
Scavo:	2.59
Rilevato:	54.99
Ballast:	1.40
Inerbimento:	2.79
SuperCompattato:	1.88
Anticapillare:	6.79
Scotico:	6.82
Bonifica:	6.82



PROG 02+540.00
SEZ. RI04B_126

QUOTE TERRENO	25.08	25.01	24.97	24.95	25.00
DIST. PROGRESSIVE TERRENO	-30.00	-12.25	11.56	16.71	34.54
QUOTE PROGETTO			30.05 30.13	24.97 24.97 23.97 23.97 24.97	
DIST. PROGRESSIVE PROGETTO			-2.97	0.00	3.05 3.47
DISTANZA BINARI	-15.87	-11.88	0.00		

AREA	
Scavo:	2.61
Rilevato:	53.13
Ballast:	1.40
Inerbimento:	2.72
SuperCompattato:	1.88
Anticapillare:	6.70
Scotico:	6.73
Bonifica:	6.73



PROG 02+560.00
SEZ. RI04B_127

QUOTE TERRENO	25.09	25.22	25.17	25.10	25.07	25.05	25.00
DIST. PROGRESSIVE TERRENO	-30.00	-18.56	-10.71	0.30	7.22	22.21	35.00
QUOTE PROGETTO				30.03	30.69	30.03	30.11
DIST. PROGRESSIVE PROGETTO				-2.97	0.00	3.05	3.47
DISTANZA BINARI		-15.82	-11.82	0.00		11.03	11.53
						12.53	13.53
						14.53	14.53