

COMMITTENTE:



DIREZIONE LAVORI:



APPALTATORE:

MANDATARIA:



MANDANTE:



PROGETTAZIONE:

MANDATARIA:



MANDANTI:



**PROGETTO ESECUTIVO**

**LINEA FERROVIARIA NAPOLI - BARI, TRATTA NAPOLI-CANCELLO,  
IN VARIANTE TRA LE PK 0+000 E PK 15+585, INCLUSE LE OPERE ACCESSORIE,  
NELL'AMBITO DEGLI INTERVENTI DI CUI AL D.L. 133/2014, CONVERTITO IN LEGGE 164 / 2014  
RILEVATI**

RI06 - RILEVATO DA KM 13+582.76 A KM 14+827.00

Sezioni trasversali

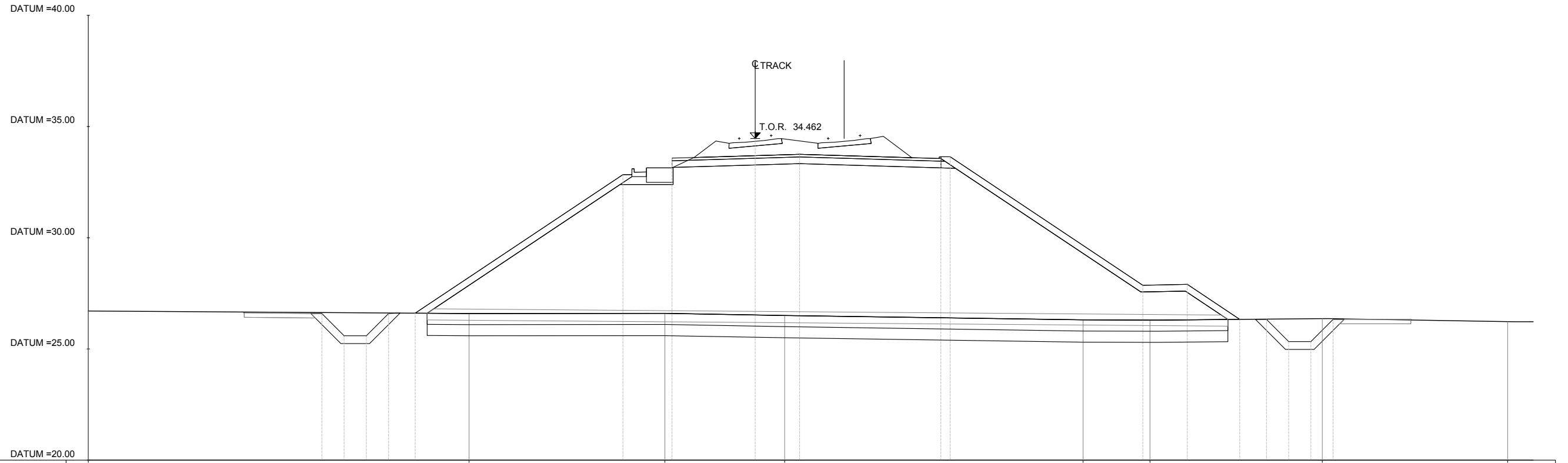
|                                     |  |
|-------------------------------------|--|
| APPALTATORE                         | PROGETTAZIONE                                    |
| DIRETTORE TECNICO<br>Ing. M. PANISI | DIRETTORE DELLA PROGETTAZIONE<br>Ing. A. CHECCHI |

COMMESSA LOTTO FASE ENTE TIPO DOC. OPERA/DISCIPLINA Progr. REV SCALA:

|   |   |   |   |   |   |   |   |   |   |   |   |   |   |   |   |   |   |   |   |   |   |
|---|---|---|---|---|---|---|---|---|---|---|---|---|---|---|---|---|---|---|---|---|---|
| I | F | 1 | M | 0 | 0 | E | Z | Z | W | 9 | R | I | 0 | 6 | 0 | 0 | 0 | 0 | 1 | A | - |
|---|---|---|---|---|---|---|---|---|---|---|---|---|---|---|---|---|---|---|---|---|---|

| Rev. | Descrizione        | Redatto   | Data       | Verificato | Data       | Approvato | Data       | Autorizzato Data |
|------|--------------------|-----------|------------|------------|------------|-----------|------------|------------------|
| A    | EMISSIONE SECUTIVA | FRANCHINI | 14/06/2018 | CERAUDO    | 15/06/2018 | PIAZZA    | 15/06/2018 | LACOPO           |
|      |                    |           |            |            |            |           |            |                  |
|      |                    |           |            |            |            |           |            |                  |
|      |                    |           |            |            |            |           |            | 30/06/2018       |

| AREA             |        |
|------------------|--------|
| Scavo:           | 8.72   |
| Rilevato:        | 179.96 |
| SubBallast:      | 1.46   |
| Ballast:         | 4.88   |
| Inerbimento:     | 7.93   |
| SuperCompattato: | 3.76   |
| Stradello:       | 1.24   |
| Anticapillare:   | 17.95  |
| Scotico:         | 18.01  |
| Bonifica:        | 14.41  |



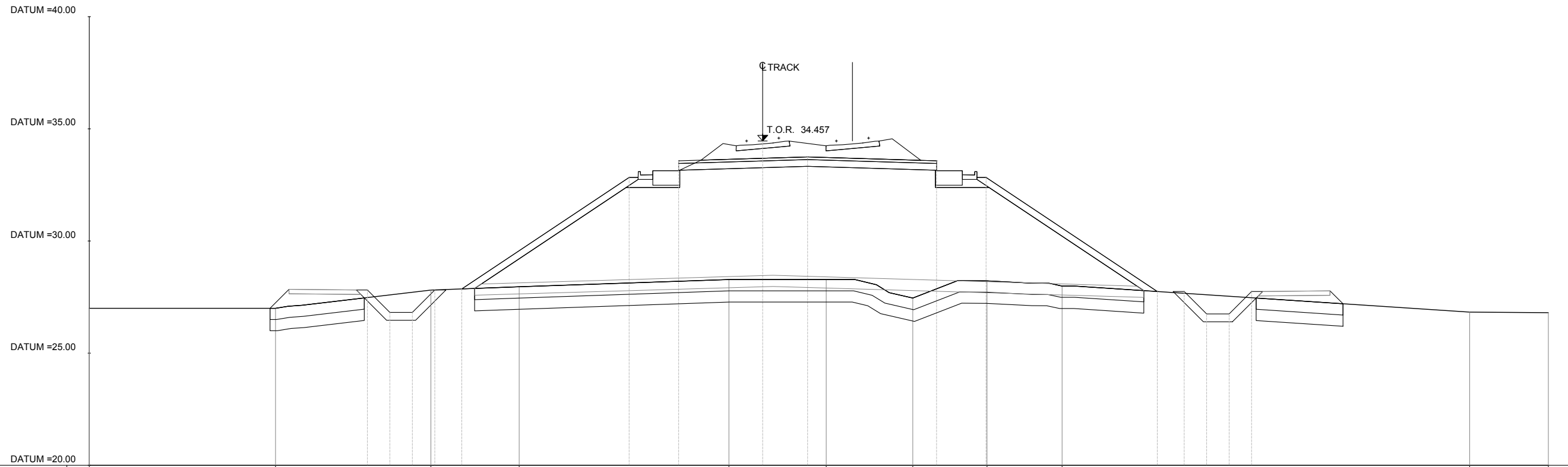
|                           |        |                |                |                |        |        |                |                |                |                |                                  |   |
|---------------------------|--------|----------------|----------------|----------------|--------|--------|----------------|----------------|----------------|----------------|----------------------------------|---|
| QUOTE TERRENO             | 26.71  | 26.59          | 26.60          | 26.50          | 26.31  | 26.30  | 26.37          | 26.23          |                |                |                                  |   |
| DIST. PROGRESSIVE TERRENO | -30.00 | -12.87         | -4.06          | 1.32           | 14.75  | 17.76  | 25.51          | 33.85          |                |                |                                  |   |
| QUOTE PROGETTO            |        | 26.59<br>25.59 | 26.59<br>25.59 | 26.59<br>25.59 | 26.61  |        | 32.84<br>33.58 | 34.46<br>33.75 | 33.56<br>33.64 | 27.86<br>27.90 | 26.33<br>26.33<br>25.33<br>25.33 | 26.33                                     |
| DIST.PROGRESSIVE PROGETTO |        | -19.49         | -18.49         | -17.49         | -16.49 | -15.29 |                | -5.95<br>-3.74 | 0.00<br>2.00   | 8.35<br>8.77   | 17.44<br>19.44                   | 21.80<br>23.00<br>24.00<br>25.00<br>26.00 |
| DISTANZA BINARI           |        |                |                |                |        |        |                |                | 0.00           | 4.00           |                                  |   |







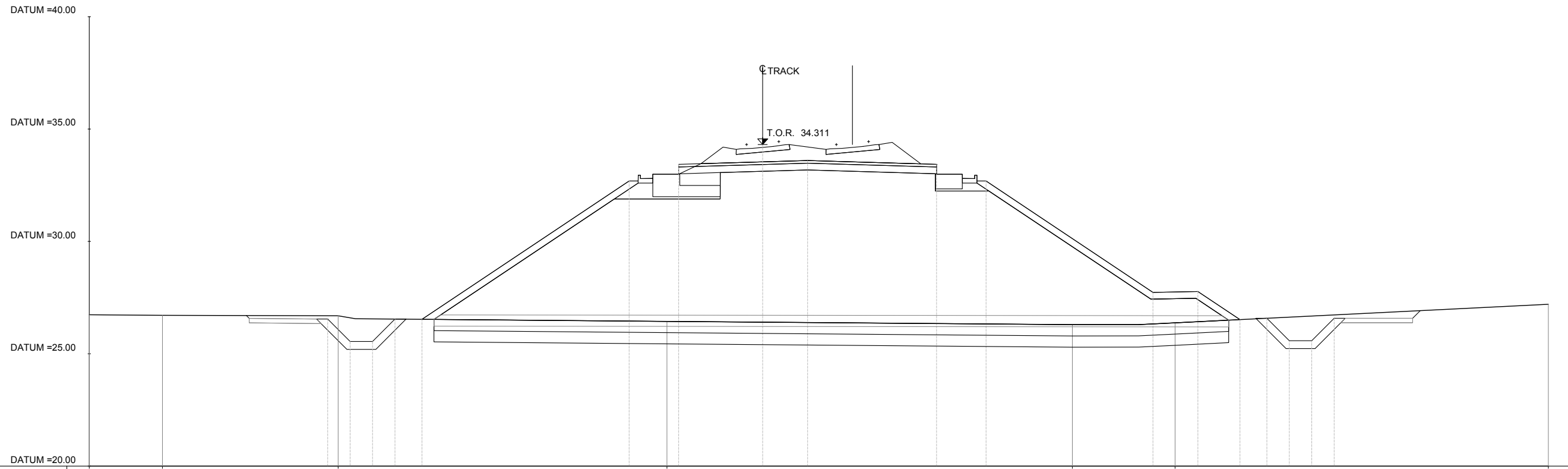
| AREA             |        |
|------------------|--------|
| Scavo:           | 5.87   |
| Rilevato:        | 128.68 |
| SubBallast:      | 1.38   |
| Ballast:         | 4.89   |
| Inerbimento:     | 5.42   |
| SuperCompattato: | 3.45   |
| Stradello:       | 1.23   |
| Anticappare:     | 14.71  |
| Scotico:         | 19.12  |
| Bonifica:        | 15.30  |



|                            |        |        |        |        |        |        |       |       |       |       |       |       |       |       |       |       |       |
|----------------------------|--------|--------|--------|--------|--------|--------|-------|-------|-------|-------|-------|-------|-------|-------|-------|-------|-------|
| QUOTE TERRENO              | 27.00  | 27.00  | 27.81  | 27.96  | 32.83  | 33.57  | 34.46 | 33.75 | 27.46 | 28.22 | 27.99 | 26.83 | 26.80 |       |       |       |       |
| DIST. PROGRESSIVE TERRENO  | -30.00 | -21.70 | -14.78 | -10.85 | -1.50  | 2.83   | 6.69  | 9.99  | 13.34 | 31.50 | 35.00 |       |       |       |       |       |       |
| QUOTE PROGETTO             |        | 27.82  | 26.82  | 27.82  | 27.86  | 32.83  | 33.57 | 34.46 | 33.75 | 32.83 | 27.75 | 27.75 | 26.75 | 26.75 | 27.75 |       |       |
| DIST. PROGRESSIVE PROGETTO |        | -17.61 | -16.61 | -15.61 | -14.61 | -13.41 | -5.95 | -3.74 | -0.00 | 2.00  | 7.74  | 9.95  | 17.58 | 18.78 | 19.78 | 20.78 | 21.78 |
| DISTANZA BINARI            |        |        |        |        |        |        |       |       | -0.00 | 4.00  |       |       |       |       |       |       |       |



| AREA             |        |
|------------------|--------|
| Scavo:           | 10.09  |
| Rilevato:        | 172.13 |
| SubBallast:      | 1.37   |
| Ballast:         | 4.89   |
| Inerbimento:     | 7.29   |
| SuperCompattato: | 3.45   |
| Stradello:       | 1.24   |
| Anticapillare:   | 17.64  |
| Scotico:         | 17.70  |
| Bonifica:        | 14.16  |



|                            |        |        |  |                |                |                |   |
|----------------------------|--------|--------|--|----------------|----------------|----------------|---|
| QUOTE TERRENO              | 26.74  | 26.71  | 26.69  | 26.44          | 26.29          | 26.38          | 27.20   |
| DIST. PROGRESSIVE TERRENO  | -30.00 | -26.74 | -18.91   | -4.26          | 13.80          | 18.37          | 35.00   |
| QUOTE PROGETTO             |        |        | 26.55<br>25.55<br>25.55<br>26.55<br>26.54      | 32.69<br>33.43 | 34.31<br>33.60 | 33.43<br>32.69 | 27.73<br>27.77<br>26.52<br>26.58<br>25.58<br>25.58<br>26.58 |
| DIST. PROGRESSIVE PROGETTO |        |        | -19.38<br>-18.38<br>-17.38<br>-16.38<br>-15.18 | -5.95<br>-3.74 | -0.00<br>2.00  | 7.74<br>9.95   | 17.39<br>19.39<br>21.26<br>22.46<br>23.46<br>24.46<br>25.46 |
| DISTANZA BINARI            |        |        |  |                | -0.00<br>4.00  |                |   |













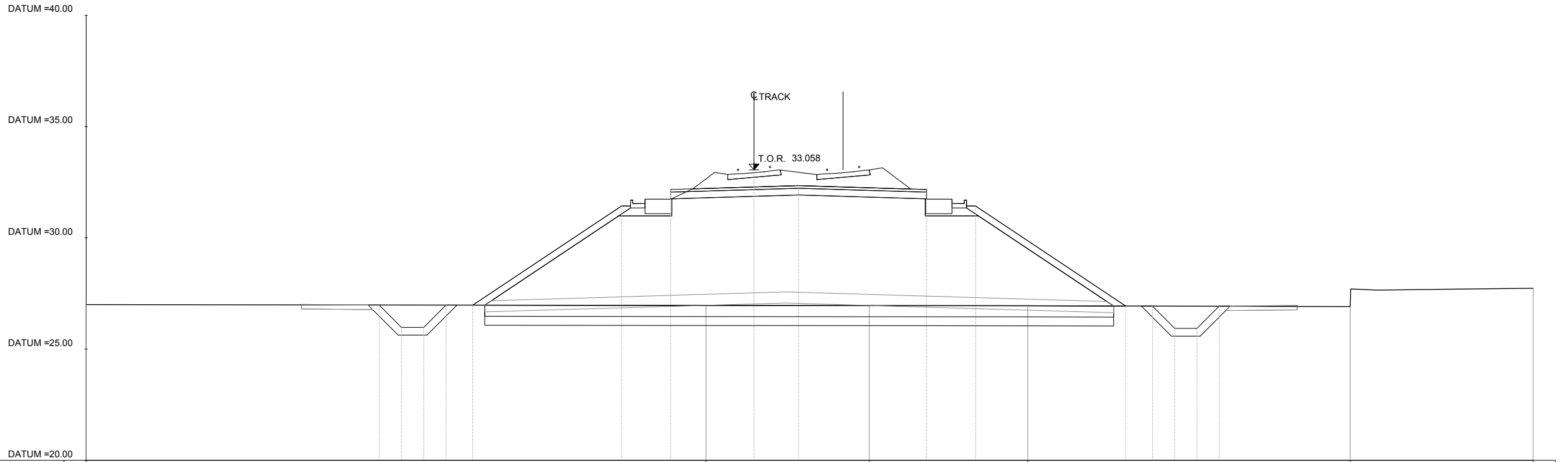








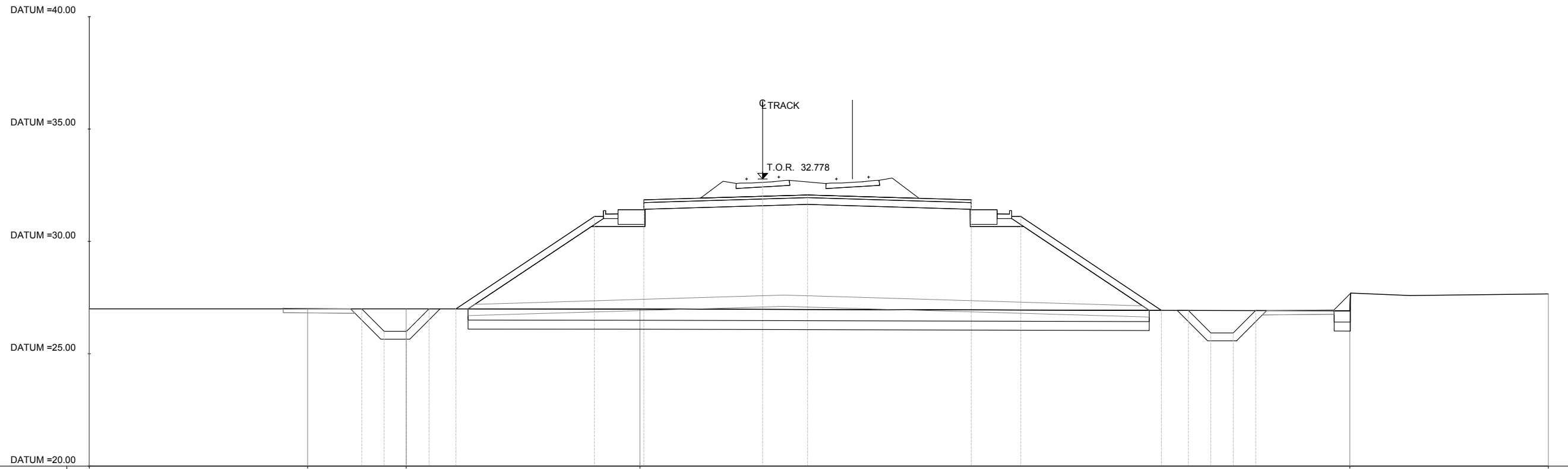
| AREA             |        |
|------------------|--------|
| Scavo:           | 8.25   |
| Rilevato:        | 113.31 |
| SubBallast:      | 1.38   |
| Ballast:         | 4.87   |
| Inerbimento:     | 4.83   |
| SuperCompattato: | 3.45   |
| Stradello:       | 1.23   |
| Anticipillare:   | 13.93  |
| Scotico:         | 14.12  |
| Bonifica:        | 11.30  |



|                            |        |        |        |        |        |        |       |       |       |       |       |       |       |       |       |       |       |
|----------------------------|--------|--------|--------|--------|--------|--------|-------|-------|-------|-------|-------|-------|-------|-------|-------|-------|-------|
| QUOTE TERRENO              | 27.00  | 26.96  | 26.95  | 26.95  | 26.91  | 27.73  |       |       |       |       |       |       |       |       |       |       |       |
| DIST. PROGRESSIVE TERRENO  | -30.00 | -2.16  | 5.17   | 12.30  | 26.78  | 35.00  |       |       |       |       |       |       |       |       |       |       |       |
| QUOTE PROGETTO             |        | 26.98  | 25.98  | 25.98  | 26.98  | 26.98  | 31.43 | 32.17 | 33.06 | 32.35 | 32.17 | 31.43 | 26.94 | 26.93 | 25.93 | 25.93 | 26.93 |
| DIST. PROGRESSIVE PROGETTO |        | -16.84 | -15.84 | -14.84 | -13.84 | -12.64 | -5.95 | -3.74 | -0.00 | 2.00  | 7.74  | 9.95  | 16.69 | 17.90 | 18.89 | 19.89 | 20.89 |
| DISTANZA BINARI            |        |        |        |        |        |        |       |       | -0.00 | 4.00  |       |       |       |       |       |       |       |

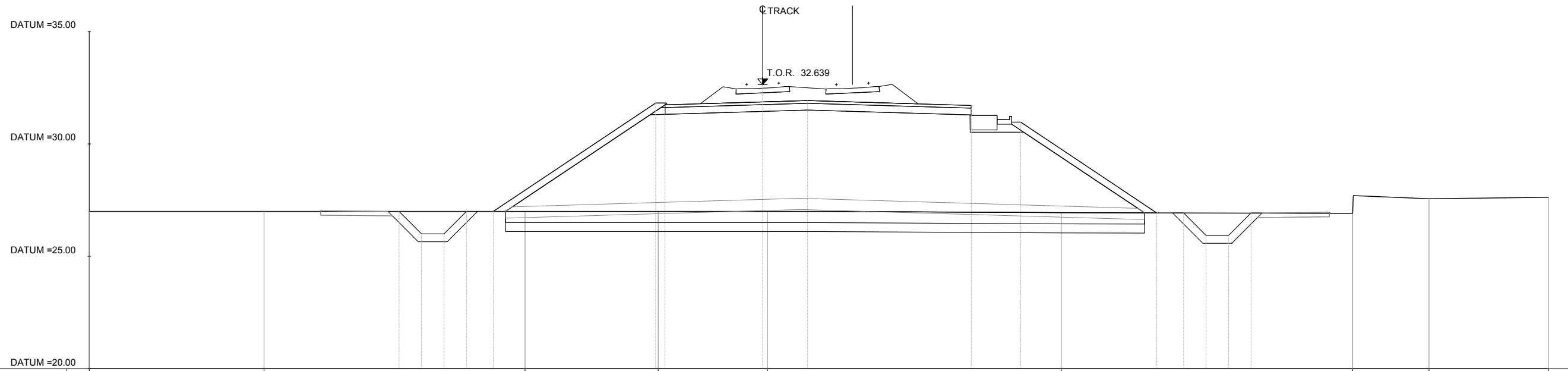


| AREA             |        |
|------------------|--------|
| Scavo:           | 8.22   |
| Rilevato:        | 120.05 |
| SubBallast:      | 1.75   |
| Ballast:         | 4.67   |
| Inerbimento:     | 4.47   |
| SuperCompattato: | 4.38   |
| Stradello:       | 1.23   |
| Anticpillare:    | 14.97  |
| Scotico:         | 15.54  |
| Bonifica:        | 12.44  |



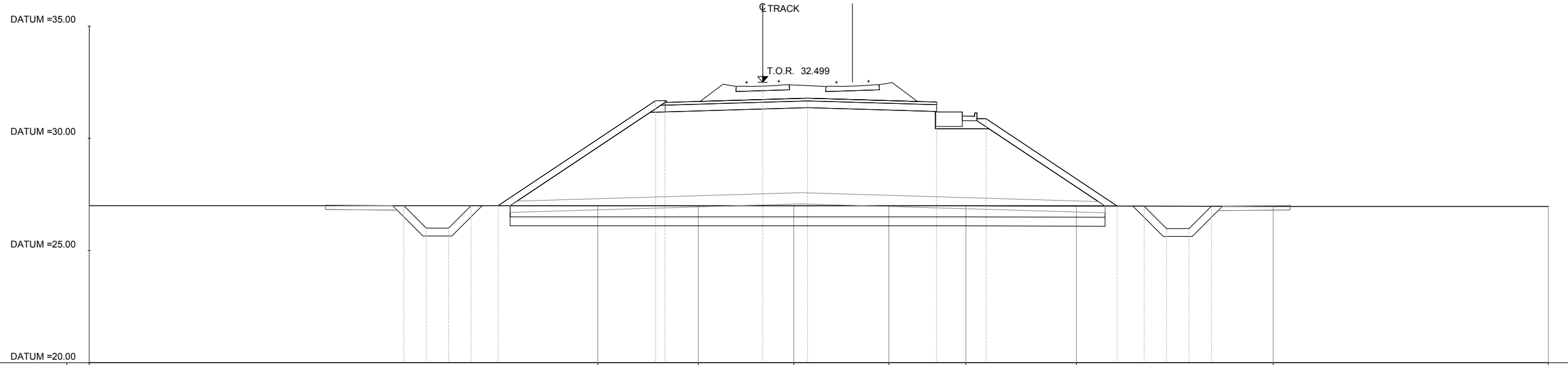
|                            |        |        |        |        |        |        |       |       |       |       |       |       |       |       |       |       |       |
|----------------------------|--------|--------|--------|--------|--------|--------|-------|-------|-------|-------|-------|-------|-------|-------|-------|-------|-------|
| QUOTE TERRENO              | 27.00  | 27.00  | 27.00  | 26.99  | 26.91  | 27.66  |       |       |       |       |       |       |       |       |       |       |       |
| DIST. PROGRESSIVE TERRENO  | -30.00 | -20.27 | -15.88 | -5.47  | 26.16  | 35.00  |       |       |       |       |       |       |       |       |       |       |       |
| QUOTE PROGETTO             |        | 27.00  | 26.00  | 26.00  | 27.00  | 31.11  | 31.85 | 32.78 | 32.07 | 31.85 | 31.11 | 26.93 | 26.93 | 25.93 | 25.93 | 26.93 |       |
| DIST. PROGRESSIVE PROGETTO |        | -17.86 | -16.86 | -15.86 | -14.86 | -13.66 | -7.50 | -5.29 | -0.00 | 2.00  | 9.29  | 11.50 | 17.76 | 18.96 | 19.96 | 20.96 | 21.96 |
| DISTANZA BINARI            |        |        |        |        |        |        |       |       | -0.00 | 4.00  |       |       |       |       |       |       |       |

| AREA             |        |
|------------------|--------|
| Scavo:           | 8.22   |
| Rilevato:        | 109.50 |
| SubBallast:      | 1.65   |
| Ballast:         | 4.56   |
| Inerbimento:     | 4.77   |
| SuperCompattato: | 4.22   |
| Stradello:       | 1.23   |
| Anticapillare:   | 14.05  |
| Scotico:         | 14.23  |
| Bonifica:        | 11.39  |



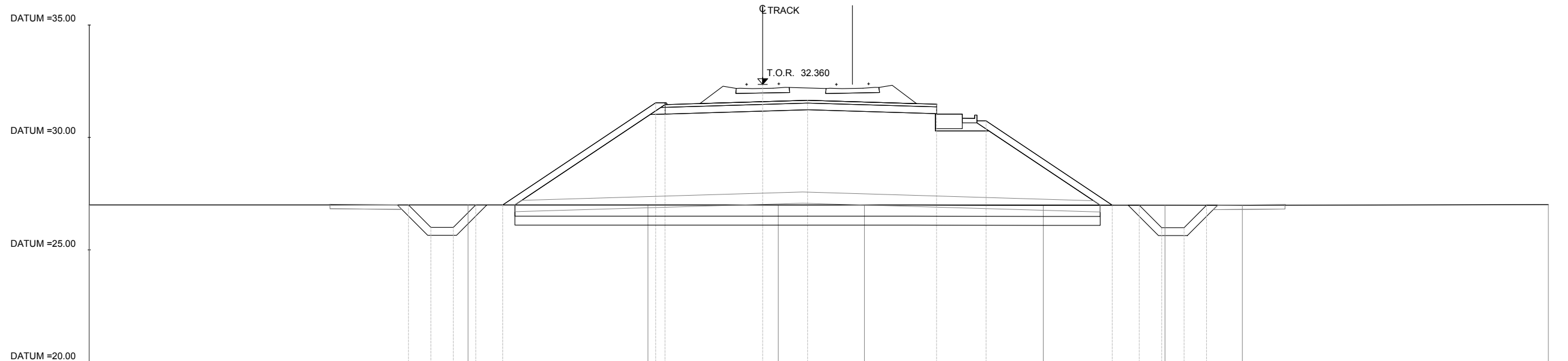
|                            |        |        |        |        |        |        |        |       |       |       |       |       |       |       |       |       |       |       |
|----------------------------|--------|--------|--------|--------|--------|--------|--------|-------|-------|-------|-------|-------|-------|-------|-------|-------|-------|-------|
| QUOTE TERRENO              | 27.00  | 27.00  | 27.00  | 27.00  | 27.00  | 27.00  | 26.94  | 26.91 | 27.56 | 27.62 |       |       |       |       |       |       |       |       |
| DIST. PROGRESSIVE TERRENO  | -30.00 | -22.21 | -10.58 | -4.65  | 0.21   | 13.30  | 26.28  | 29.68 | 35.00 |       |       |       |       |       |       |       |       |       |
| QUOTE PROGETTO             |        |        | 27.00  | 26.00  | 26.00  | 27.00  | 27.00  | 31.82 | 31.74 | 32.64 | 31.93 | 31.71 | 30.97 | 26.93 | 26.93 | 25.93 | 25.93 | 26.93 |
| DIST. PROGRESSIVE PROGETTO |        |        | -16.20 | -15.20 | -14.20 | -13.20 | -12.00 | -4.77 | -4.35 | -0.00 | 2.00  | 9.29  | 11.50 | 17.55 | 18.75 | 19.75 | 20.75 | 21.75 |
| DISTANZA BINARI            |        |        |        |        |        |        |        |       |       | -0.00 | 4.00  |       |       |       |       |       |       |       |

| AREA             |       |
|------------------|-------|
| Scavo:           | 8.23  |
| Rilevato:        | 98.01 |
| SubBallast:      | 1.46  |
| Ballast:         | 4.46  |
| Inerbimento:     | 4.62  |
| SuperCompattato: | 3.76  |
| Stradello:       | 1.23  |
| Anticapillare:   | 13.07 |
| Scotico:         | 13.25 |
| Bonifica:        | 10.60 |



|                            |        |        |        |        |        |        |       |       |       |       |       |       |       |       |       |       |       |
|----------------------------|--------|--------|--------|--------|--------|--------|-------|-------|-------|-------|-------|-------|-------|-------|-------|-------|-------|
| QUOTE TERRENO              | 27.00  | 27.00  | 27.00  | 27.00  | 27.00  | 27.00  | 27.00 | 26.98 | 26.97 | 26.96 |       |       |       |       |       |       |       |
| DIST. PROGRESSIVE TERRENO  | -30.00 | -7.34  | -2.87  | 1.39   | 5.62   | 9.05   | 13.98 | 22.74 | 35.00 |       |       |       |       |       |       |       |       |
| QUOTE PROGETTO             |        | 27.00  | 26.00  | 26.00  | 27.00  | 27.00  | 31.68 | 31.60 | 32.50 | 31.79 | 31.62 | 30.88 | 26.98 | 26.98 | 25.98 | 25.98 | 26.98 |
| DIST. PROGRESSIVE PROGETTO |        | -15.99 | -14.99 | -13.99 | -12.99 | -11.79 | -4.77 | -4.35 | 0.00  | 2.00  | 7.74  | 9.95  | 15.79 | 16.99 | 17.99 | 18.99 | 19.99 |
| DISTANZA BINARI            |        |        |        |        |        |        |       |       | 0.00  | 4.00  |       |       |       |       |       |       |       |

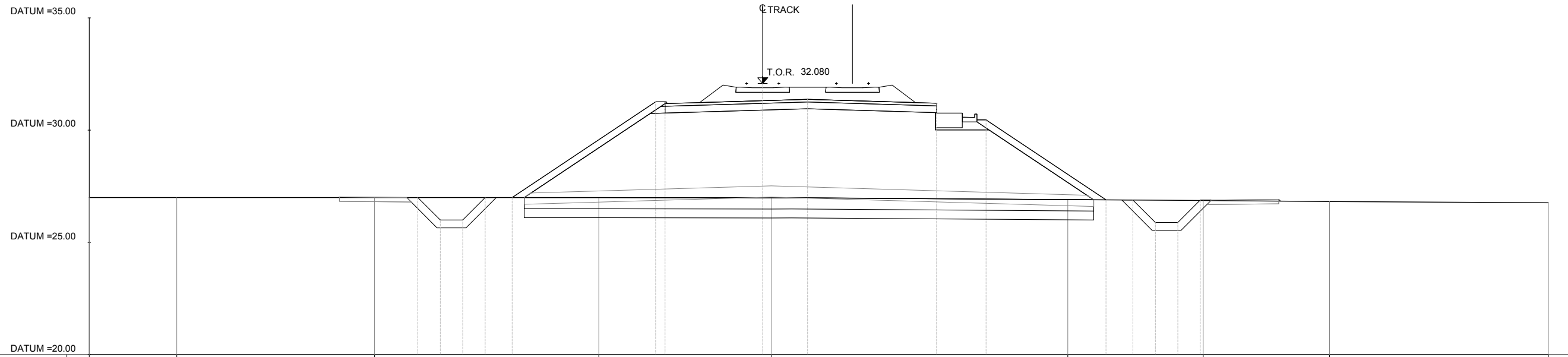
| AREA             |       |
|------------------|-------|
| Scavo:           | 8.26  |
| Rilevato:        | 94.15 |
| SubBallast:      | 1.46  |
| Ballast:         | 4.37  |
| Inerbimento:     | 4.47  |
| SuperCompattato: | 3.76  |
| Stradello:       | 1.23  |
| Anticapillare:   | 12.86 |
| Scotico:         | 13.04 |
| Bonifica:        | 10.43 |



|                           |        |        |        |        |        |        |      |      |  |  |  |  |  |  |       |
|---------------------------|--------|--------|--------|--------|--------|--------|------|------|--|--|--|--|--|--|-------|
| QUOTE TERRENO             | 27.00  |        |        |        |        |        |      |      |  |  |  |  |  |  | 27.01 |
| DIST. PROGRESSIVE TERRENO | -30.00 |        |        |        |        |        |      |      |  |  |  |  |  |  | 35.00 |
| QUOTE PROGETTO            |        | 27.00  | 26.00  | 26.00  | 27.00  | 27.00  |      |      |  |  |  |  |  |  |       |
| DIST.PROGRESSIVE PROGETTO |        | -15.78 | -14.78 | -13.78 | -12.78 | -11.58 |      |      |  |  |  |  |  |  |       |
| DISTANZA BINARI           |        |        |        |        |        |        | 0.00 | 4.00 |  |  |  |  |  |  |       |



| AREA             |       |
|------------------|-------|
| Scavo:           | 8.13  |
| Rilevato:        | 87.38 |
| SubBallast:      | 1.47  |
| Ballast:         | 4.24  |
| Inerbimento:     | 4.22  |
| SuperCompattato: | 3.76  |
| Stradello:       | 1.23  |
| Anticappare:     | 12.51 |
| Scotico:         | 12.69 |
| Bonifica:        | 10.15 |



|                            |        |        |        |        |        |        |        |       |       |       |       |       |       |       |       |       |       |       |
|----------------------------|--------|--------|--------|--------|--------|--------|--------|-------|-------|-------|-------|-------|-------|-------|-------|-------|-------|-------|
| QUOTE TERRENO              | 27.00  | 27.00  | 27.00  | 27.00  | 26.99  | 26.91  | 26.87  | 26.82 | 26.77 |       |       |       |       |       |       |       |       |       |
| DIST. PROGRESSIVE TERRENO  | -30.00 | -26.10 | -17.29 | -7.30  | 0.41   | 13.59  | 19.62  | 25.25 | 35.00 |       |       |       |       |       |       |       |       |       |
| QUOTE PROGETTO             |        |        | 27.00  | 26.00  | 26.00  | 27.00  | 27.00  | 31.26 | 31.18 | 32.08 | 31.37 | 31.20 | 30.46 | 26.90 | 26.89 | 25.89 | 25.89 | 26.89 |
| DIST. PROGRESSIVE PROGETTO |        |        | -15.36 | -14.36 | -13.36 | -12.36 | -11.16 | -4.77 | -4.35 | -0.00 | 2.00  | 7.74  | 9.95  | 15.29 | 16.49 | 17.49 | 18.49 | 19.49 |
| DISTANZA BINARI            |        |        |        |        |        |        |        |       |       | -0.00 | 4.00  |       |       |       |       |       |       |       |







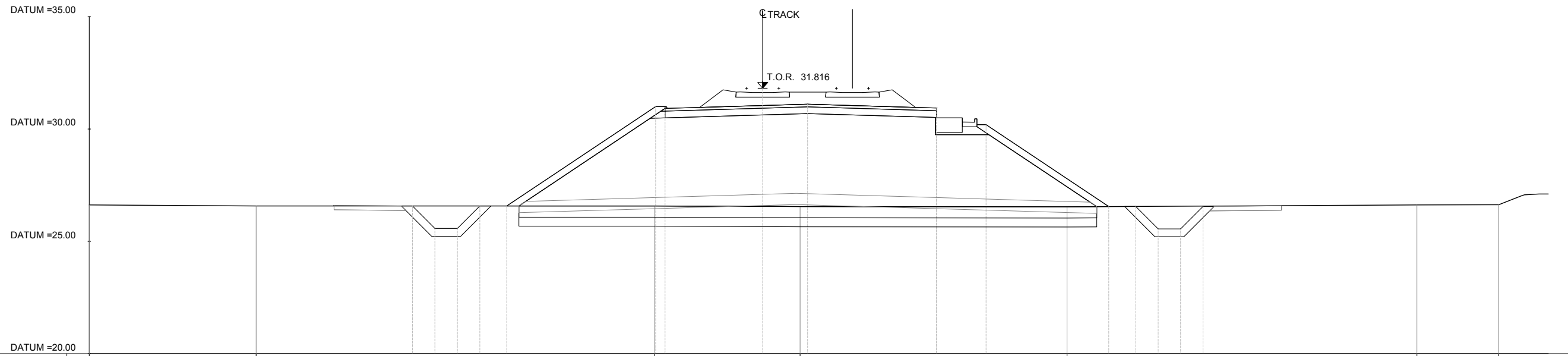








| AREA             |       |
|------------------|-------|
| Scavo:           | 8.38  |
| Rilevato:        | 91.35 |
| SubBallast:      | 1.46  |
| Ballast:         | 4.24  |
| Inerbimento:     | 4.35  |
| SuperCompattato: | 3.76  |
| Stradello:       | 1.23  |
| Anticapillare:   | 12.70 |
| Scotico:         | 12.87 |
| Bonifica:        | 10.30 |



|                            |        |        |        |        |        |        |       |       |       |       |       |       |       |       |       |       |       |
|----------------------------|--------|--------|--------|--------|--------|--------|-------|-------|-------|-------|-------|-------|-------|-------|-------|-------|-------|
| QUOTE TERRENO              | 26.62  | 26.58  | 26.58  | 26.55  | 26.54  | 26.62  | 26.63 |       |       |       |       |       |       |       |       |       |       |
| DIST. PROGRESSIVE TERRENO  | -30.00 | -22.56 | -4.81  | 1.66   | 13.56  | 29.14  | 32.79 |       |       |       |       |       |       |       |       |       |       |
| QUOTE PROGETTO             |        | 26.58  | 25.58  | 25.58  | 26.58  | 26.58  | 31.00 | 30.92 | 31.82 | 31.11 | 30.90 | 30.19 | 26.55 | 26.56 | 25.56 | 25.56 | 26.56 |
| DIST. PROGRESSIVE PROGETTO |        | -15.60 | -14.60 | -13.60 | -12.60 | -11.40 | -4.77 | -4.35 | -0.00 | 2.00  | 7.76  | 9.95  | 15.42 | 16.62 | 17.62 | 18.62 | 19.62 |
| DISTANZA BINARI            |        |        |        |        |        |        |       |       | -0.00 | 4.00  |       |       |       |       |       |       |       |











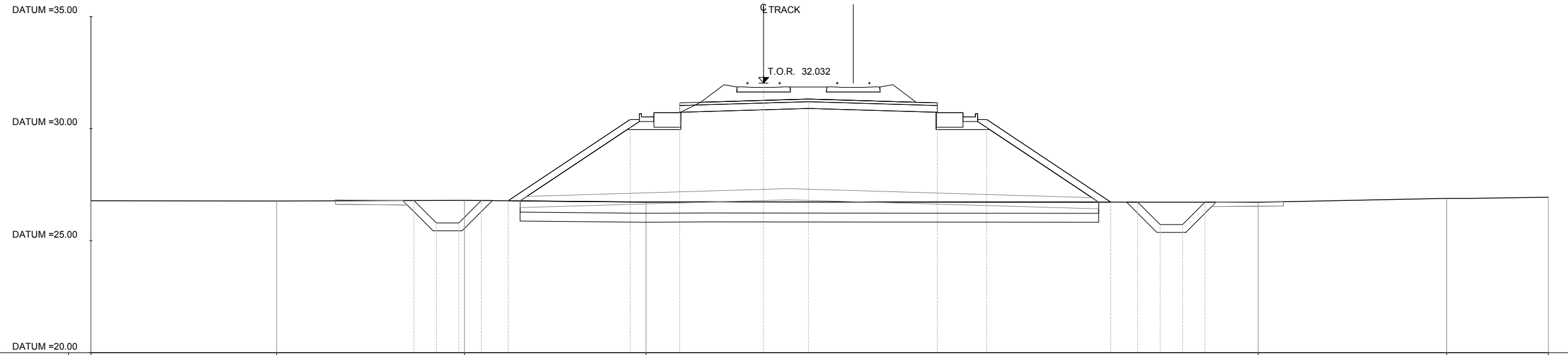








| AREA             |       |
|------------------|-------|
| Scavo:           | 8.25  |
| Rilevato:        | 90.44 |
| SubBallast:      | 1.38  |
| Ballast:         | 4.23  |
| Inerbimento:     | 3.95  |
| SuperCompattato: | 3.45  |
| Stradello:       | 1.23  |
| Anticappare:     | 12.72 |
| Scotico:         | 12.90 |
| Bonifica:        | 10.32 |



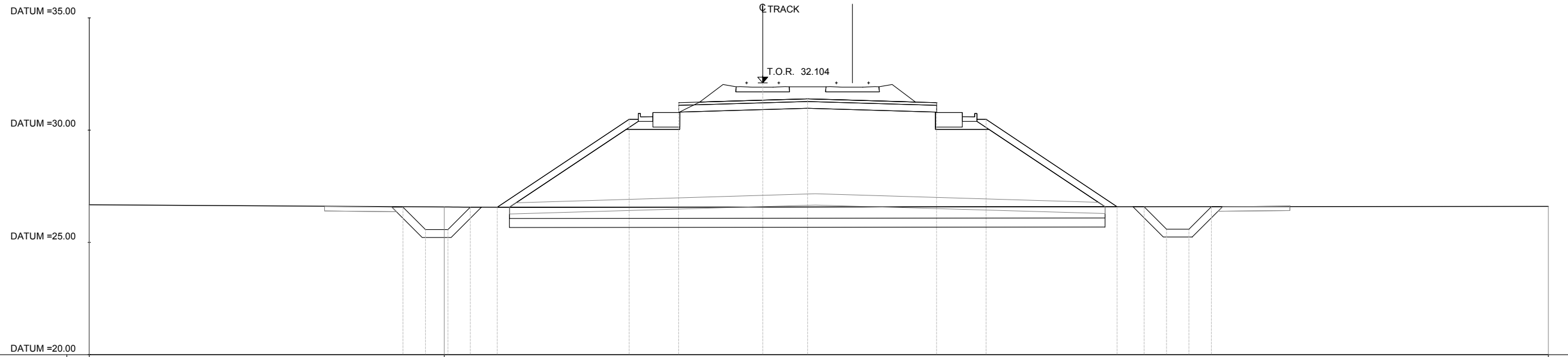
|                            |        |        |        |        |        |        |        |       |       |       |       |       |       |       |       |       |       |       |       |
|----------------------------|--------|--------|--------|--------|--------|--------|--------|-------|-------|-------|-------|-------|-------|-------|-------|-------|-------|-------|-------|
| QUOTE TERRENO              | 26.78  | 26.77  | 26.80  | 26.72  |        | 26.71  | 26.89  | 26.94 |       |       |       |       |       |       |       |       |       |       |       |
| DIST. PROGRESSIVE TERRENO  | -30.00 | -21.72 | -13.34 | -5.24  |        | 22.06  | 30.47  | 35.00 |       |       |       |       |       |       |       |       |       |       |       |
| QUOTE PROGETTO             |        |        | 26.79  | 26.79  | 25.79  | 25.79  | 26.79  | 26.78 | 30.41 | 31.15 | 32.03 | 31.32 | 31.15 | 30.41 | 26.72 | 26.72 | 25.72 | 25.72 | 26.72 |
| DIST. PROGRESSIVE PROGETTO |        |        | -15.59 | -14.59 | -13.59 | -12.59 | -11.39 | -5.95 | -3.74 | -0.00 | 2.00  | 7.74  | 9.95  | 15.48 | 16.68 | 17.68 | 18.68 | 19.68 |       |
| DISTANZA BINARI            |        |        |        |        |        |        |        |       |       | -0.00 | 4.00  |       |       |       |       |       |       |       |       |





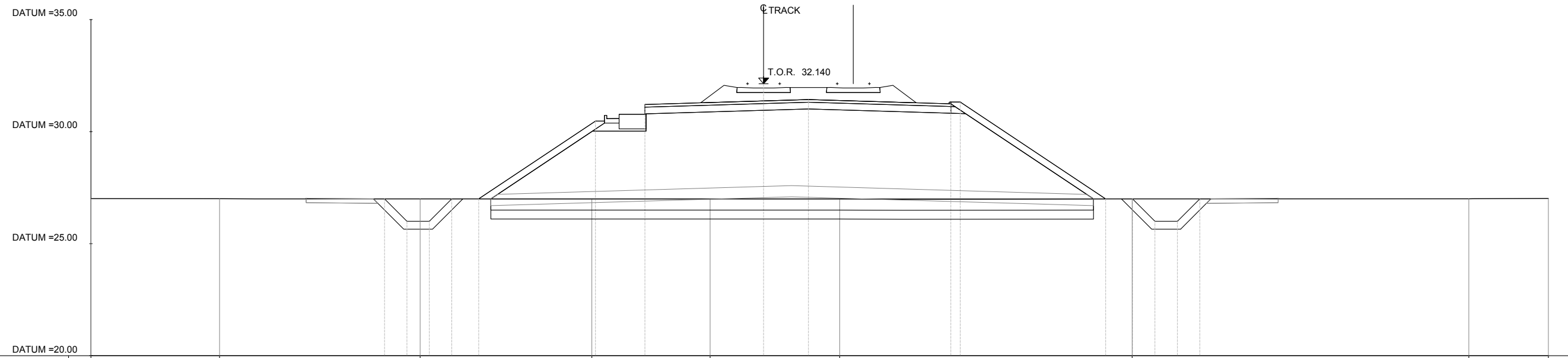


| AREA             |       |
|------------------|-------|
| Scavo:           | 8.43  |
| Rilevato:        | 96.81 |
| SubBallast:      | 1.38  |
| Ballast:         | 4.23  |
| Inerbimento:     | 4.21  |
| SuperCompattato: | 3.45  |
| Stradello:       | 1.23  |
| Anticappare:     | 13.08 |
| Scotico:         | 13.27 |
| Bonifica:        | 10.61 |



|                            |        |        |        |
|----------------------------|--------|--------|--------|
| QUOTE TERRENO              | 26.68  | 26.58  | 26.61  |
| DIST. PROGRESSIVE TERRENO  | -30.00 | -14.18 | 35.00  |
| QUOTE PROGETTO             | 26.57  | 25.57  | 26.57  |
| DIST. PROGRESSIVE PROGETTO | -16.02 | -15.02 | -14.02 |
| DISTANZA BINARI            | 0.00   | 4.00   |        |

| AREA             |       |
|------------------|-------|
| Scavo:           | 8.28  |
| Rilevato:        | 94.06 |
| SubBallast:      | 1.65  |
| Ballast:         | 4.23  |
| Inerbimento:     | 4.21  |
| SuperCompattato: | 4.22  |
| Stradello:       | 1.23  |
| Anticapillare:   | 13.26 |
| Scotico:         | 13.44 |
| Bonifica:        | 10.75 |



|                           |        |        |        |        |        |        |        |       |       |       |       |       |       |       |       |       |       |       |
|---------------------------|--------|--------|--------|--------|--------|--------|--------|-------|-------|-------|-------|-------|-------|-------|-------|-------|-------|-------|
| QUOTE TERRENO             | 27.01  | 27.01  | 27.00  | 27.00  | 27.00  | 27.00  | 27.00  | 27.00 | 27.00 | 27.00 | 27.00 | 27.00 | 27.00 | 27.00 | 27.00 | 27.02 |       |       |
| DIST. PROGRESSIVE TERRENO | -30.00 | -24.27 | -15.32 | -7.66  | -2.39  | 3.39   | 16.44  | 31.45 | 35.00 |       |       |       |       |       |       |       |       |       |
| QUOTE PROGETTO            |        |        | 27.00  | 26.00  | 26.00  | 27.00  | 27.00  | 30.47 | 31.21 | 32.14 | 31.43 | 31.24 | 31.32 | 27.00 | 27.00 | 26.00 | 26.00 | 27.00 |
| DIST.PROGRESSIVE PROGETTO |        |        | -16.91 | -15.91 | -14.91 | -13.91 | -12.71 | -7.50 | -5.29 | -0.00 | 2.00  | 8.35  | 8.77  | 15.25 | 16.45 | 17.45 | 18.45 | 19.45 |
| DISTANZA BINARI           |        |        |        |        |        |        |        |       |       | -0.00 | 4.00  |       |       |       |       |       |       |       |























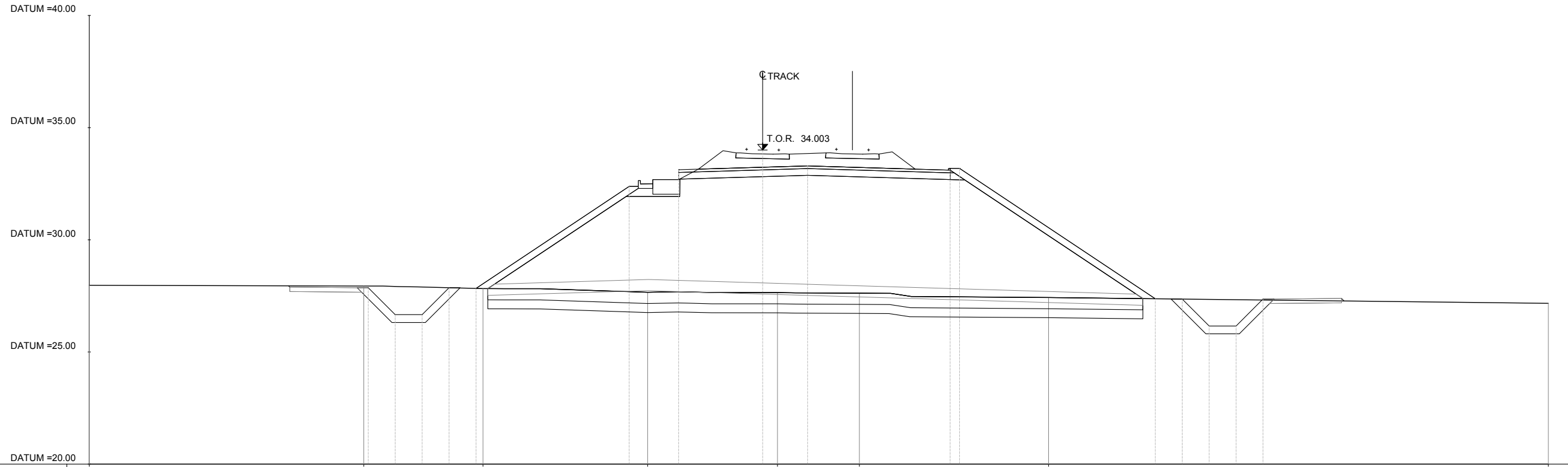






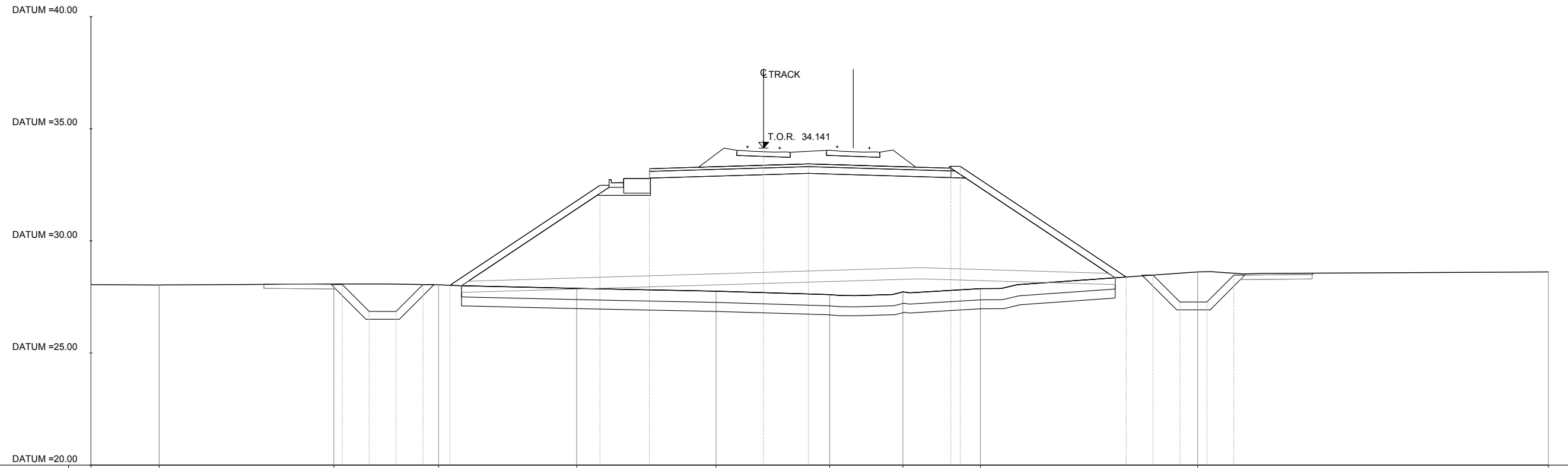


| AREA             |        |
|------------------|--------|
| Scavo:           | 10.71  |
| Rilevato:        | 124.12 |
| SubBallast:      | 1.46   |
| Ballast:         | 4.39   |
| Inerbimento:     | 5.59   |
| SuperCompattato: | 3.76   |
| Stradello:       | 1.23   |
| Anticapillare:   | 14.40  |
| Scotico:         | 14.60  |
| Bonifica:        | 11.68  |



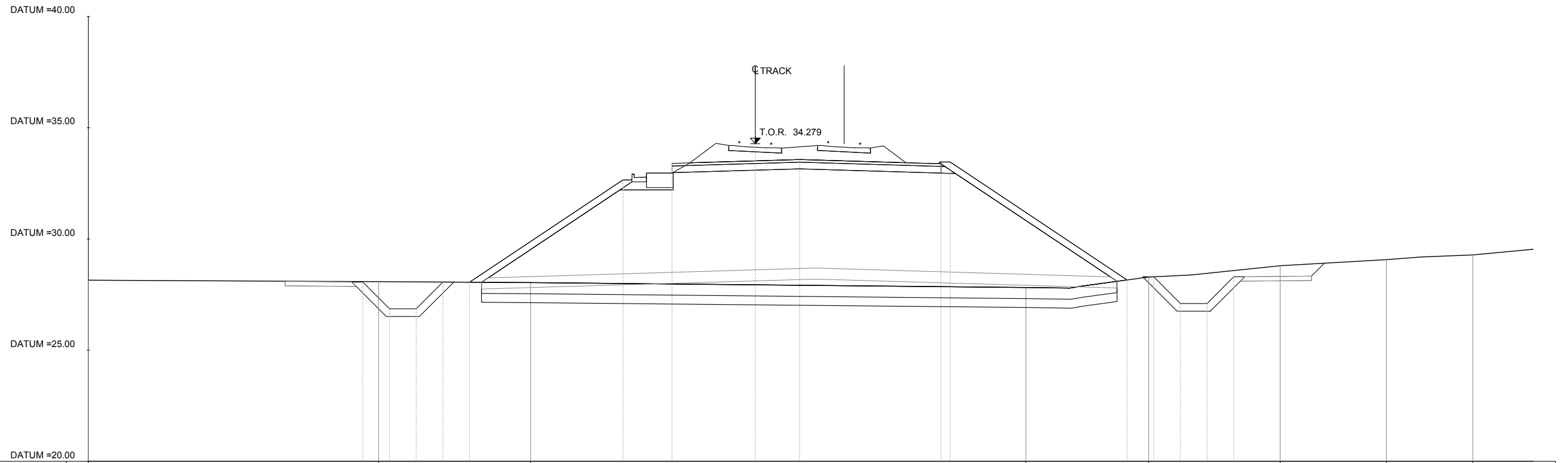
|                            |        |        |        |        |        |        |       |       |       |       |       |       |       |       |       |       |       |
|----------------------------|--------|--------|--------|--------|--------|--------|-------|-------|-------|-------|-------|-------|-------|-------|-------|-------|-------|
| QUOTE TERRENO              | 27.97  | 27.94  | 27.83  | 27.66  | 27.65  | 27.62  | 27.43 | 27.17 |       |       |       |       |       |       |       |       |       |
| DIST. PROGRESSIVE TERRENO  | -30.00 | -17.77 | -12.46 | -5.12  | 0.66   | 4.31   | 12.74 | 35.00 |       |       |       |       |       |       |       |       |       |
| QUOTE PROGETTO             |        | 27.86  | 26.66  | 26.66  | 27.86  | 27.83  | 32.38 | 33.12 | 34.00 | 33.29 | 33.10 | 33.18 | 27.37 | 27.36 | 26.16 | 26.16 | 27.36 |
| DIST. PROGRESSIVE PROGETTO |        | -17.57 | -16.37 | -15.17 | -13.97 | -12.77 | -5.95 | -3.74 | -0.00 | 2.00  | 8.35  | 8.77  | 17.49 | 18.69 | 19.89 | 21.09 | 22.29 |
| DISTANZA BINARI            |        |        |        |        |        |        |       |       | -0.00 | 4.00  |       |       |       |       |       |       |       |

| AREA             |        |
|------------------|--------|
| Scavo:           | 11.30  |
| Rilevato:        | 127.00 |
| SubBallast:      | 1.63   |
| Ballast:         | 4.49   |
| Inerbimento:     | 5.08   |
| SuperCompattato: | 4.16   |
| Stradello:       | 1.23   |
| Anticappare:     | 14.39  |
| Scotico:         | 14.61  |
| Bonifica:        | 11.69  |



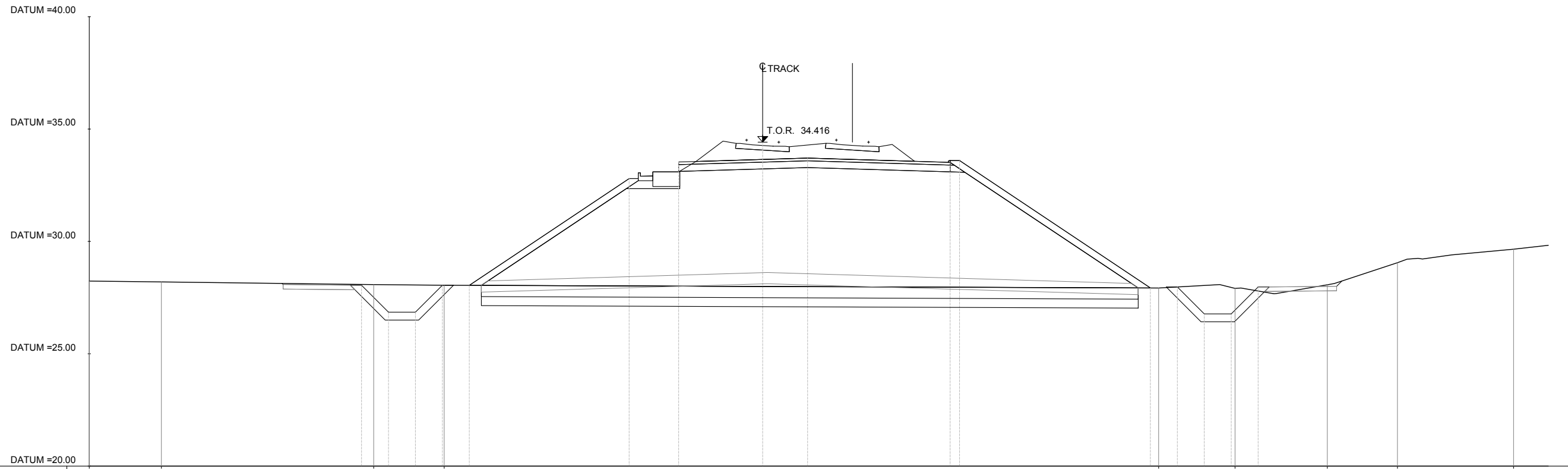
|                            |        |        |        |        |        |        |        |       |       |       |       |       |       |       |       |       |       |       |
|----------------------------|--------|--------|--------|--------|--------|--------|--------|-------|-------|-------|-------|-------|-------|-------|-------|-------|-------|-------|
| QUOTE TERRENO              | 28.05  | 28.03  | 28.08  | 28.04  | 27.88  | 27.76  | 27.61  | 27.73 | 27.87 | 28.61 | 28.61 |       |       |       |       |       |       |       |
| DIST. PROGRESSIVE TERRENO  | -30.00 | -26.95 | -19.17 | -14.50 | -8.34  | -2.12  | 2.94   | 6.21  | 9.67  | 19.36 | 35.00 |       |       |       |       |       |       |       |
| QUOTE PROGETTO             |        |        | 28.05  | 26.85  | 26.85  | 28.05  | 28.02  | 32.48 | 33.22 | 34.14 | 33.43 | 33.24 | 33.32 | 28.39 | 28.47 | 27.27 | 27.27 | 28.47 |
| DIST. PROGRESSIVE PROGETTO |        |        | -18.79 | -17.59 | -16.39 | -15.19 | -13.99 | -7.30 | -5.09 | -0.00 | 2.00  | 8.35  | 8.77  | 16.17 | 17.37 | 18.57 | 19.77 | 20.97 |
| DISTANZA BINARI            |        |        |        |        |        |        |        |       |       | -0.00 | 4.00  |       |       |       |       |       |       |       |

| AREA             |        |
|------------------|--------|
| Scavo:           | 12.85  |
| Rilevato:        | 122.15 |
| SubBallast:      | 1.47   |
| Ballast:         | 4.59   |
| Inerbimento:     | 5.37   |
| SuperCompattato: | 3.75   |
| Stradello:       | 1.23   |
| Anticapillare:   | 14.11  |
| Scotico:         | 14.31  |
| Bonifica:        | 11.45  |



|                            |        |                            |                  |                |                |                |   |       |
|----------------------------|--------|----------------------------|------------------|----------------|----------------|----------------|---|-------|
| QUOTE TERRENO              | 28.15  | 28.08                      | 28.04            | 27.82          | 28.29          | 28.80          | 29.07                                     | 29.28 |
| DIST. PROGRESSIVE TERRENO  | -30.00 | -16.95                     | -10.11           | 12.17          | 17.70          | 23.62          | 28.40                                     | 32.28 |
| QUOTE PROGETTO             |        | 28.06<br>26.86<br>26.86    | 28.06<br>28.05   | 32.66<br>33.40 | 34.28<br>33.57 | 33.38<br>33.46 | 28.15<br>28.30<br>27.10<br>27.10          | 28.30 |
| DIST. PROGRESSIVE PROGETTO |        | -17.65<br>-16.45<br>-15.25 | -14.05<br>-12.85 | -5.95<br>-3.74 | 0.00<br>2.00   | 8.35<br>8.77   | 16.73<br>17.93<br>19.13<br>20.33<br>21.53 |       |
| DISTANZA BINARI            |        |                            |                  |                | 0.00<br>4.00   |                |   |       |

| AREA             |        |
|------------------|--------|
| Scavo:           | 10.55  |
| Rilevato:        | 124.77 |
| SubBallast:      | 1.46   |
| Ballast:         | 4.69   |
| Inerbimento:     | 5.62   |
| SuperCompattato: | 3.76   |
| Stradello:       | 1.23   |
| Anticapillare:   | 14.44  |
| Scotico:         | 14.63  |
| Bonifica:        | 11.70  |



|                            |        |        |  |        |        |        |        |        |  |       |       |       |       |       |       |       |
|----------------------------|--------|--------|--|--------|--------|--------|--------|--------|--|-------|-------|-------|-------|-------|-------|-------|
| QUOTE TERRENO              | 28.24  | 28.20  |  | 28.08  | 28.05  |        |        |        |  |       |       | 27.93 | 27.91 | 28.07 | 29.05 | 29.65 |
| DIST. PROGRESSIVE TERRENO  | -30.00 | -26.79 |  | -17.33 | -14.19 |        |        |        |  |       |       | 17.64 | 21.04 | 25.15 | 28.28 | 33.45 |
| QUOTE PROGETTO             |        |        |  | 28.05  | 26.85  | 26.85  | 28.05  | 28.05  |  | 32.79 | 33.54 | 34.42 | 33.71 |       | 33.52 | 33.60 |
| DIST. PROGRESSIVE PROGETTO |        |        |  | -17.87 | -16.67 | -15.47 | -14.27 | -13.07 |  | -5.95 | -3.74 | -0.00 | 2.00  |       | 8.35  | 8.77  |
| DISTANZA BINARI            |        |        |  |        |        |        |        |        |  |       |       |       |       |       | -0.00 | 4.00  |





