

COMMITTENTE:



DIREZIONE LAVORI:



APPALTATORE:

MANDATARIA:



MANDANTE:



PROGETTAZIONE:

MANDATARIA:



MANDANTI:



PROGETTO ESECUTIVO

LINEA FERROVIARIA NAPOLI - BARI, TRATTA NAPOLI-CANCELLO, IN VARIANTE TRA LE PK 0+000 E PK 15+585, INCLUSE LE OPERE ACCESSORIE, NELL'AMBITO DEGLI INTERVENTI DI CUI AL D.L. 133/2014, CONVERTITO IN LEGGE 164 / 2014

RILEVATI

RI07 - RILEVATO DA KM 14+827.00 A KM 15+585.66

Sezioni trasversali

APPALTATORE	PROGETTAZIONE
DIRETTORE TECNICO Ing. M. PANISI	DIRETTORE DELLA PROGETTAZIONE Ing. A. CHECCHI

COMMESSA	LOTTO	FASE	ENTE	TIPO DOC.	OPERA/DISCIPLINA	PROGR.	REV.	SCALA:
IF1M	00	E	ZZ	W9	RI0700	001	B	1:200

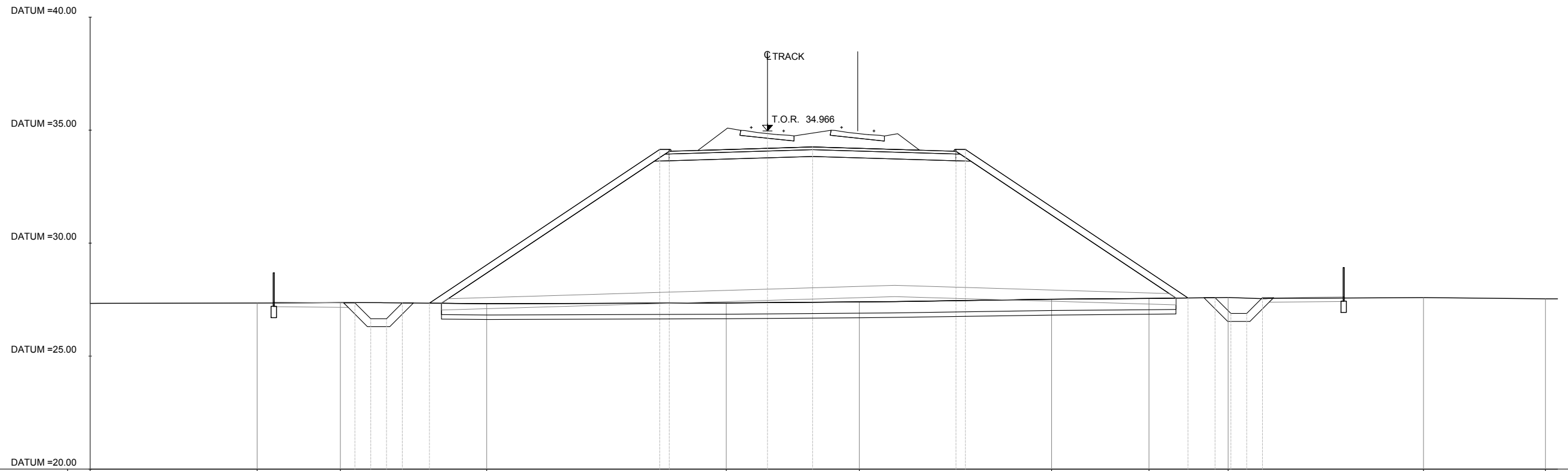
Rev.	Descrizione	Redatto	Data	Verificato	Data	Approvato	Data	Autorizzato Data
A	EMISSIONE	FRANCHINI	14/06/2018	CERAUDO	15/06/2018	PIAZZA	15/06/2018	LACOPO
B	EMISSIONE PER RDV	FRANCHINI	10/09/18	CERAUDO	11/09/18	PIAZZA	11/09/18	
								12/09/18

File:IF1M.0.0.E.ZZ.W9.RI.07.0.0.001.B.DWG

n. Elab.:

AREA	
Scavo:	5.37
Rilevato:	162.85
SubBallast:	1.55
Ballast:	5.00
Inerbimento:	7.22
SuperCompattato:	4.06
Stradello:	1.27
Anticapillare:	16.06
Scotico:	16.27
Bonifica:	6.51

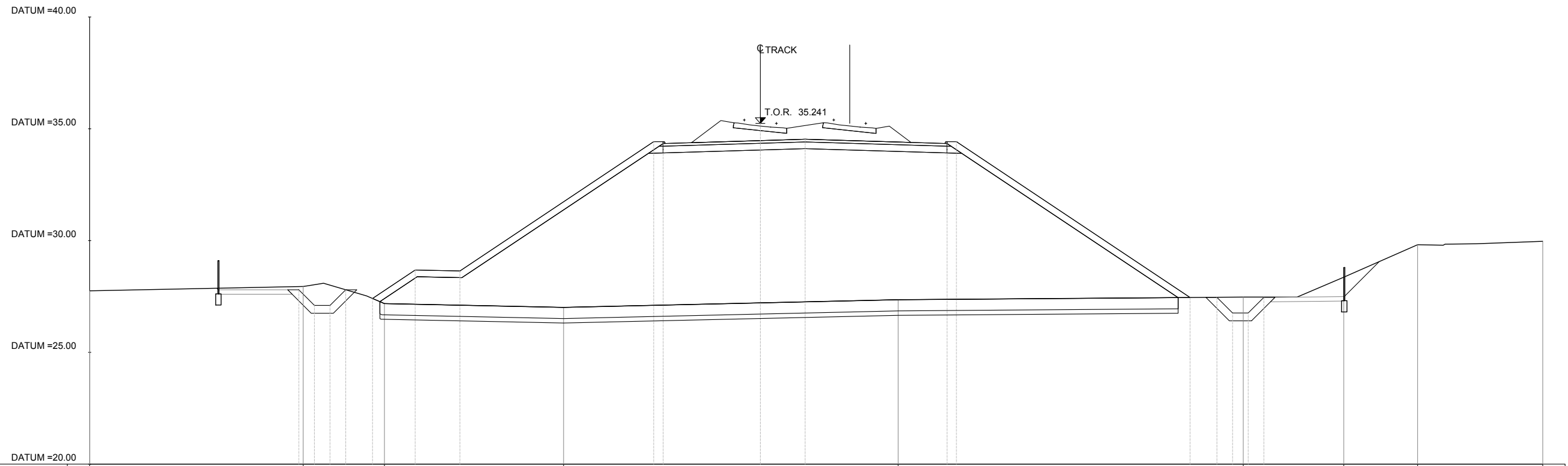
PROG 14+840.00
SEZ. RI07_2



QUOTE TERRENO	27.33	27.35	27.37	27.32	27.35	27.40	27.52	27.55	27.59	27.59	27.54
DIST. PROGRESSIVE TERRENO	-30.00	-22.61	-18.92	-12.44	-1.82	4.07	12.59	16.90	20.41	29.06	34.46
QUOTE PROGETTO			27.36 26.65 26.66 27.35 27.34		34.15 34.07	34.97 34.26		34.06 34.15		27.57 27.59 26.89 26.89 27.59	
DIST. PROGRESSIVE PROGETTO			-18.27 -17.57 -16.87 -16.17 -14.97		-4.77 -4.35	-0.00 2.00		8.35 8.77		18.63 19.83 20.53 21.23 21.93	
DISTANZA BINARI						-0.00 4.00					

AREA	
Scavo:	7.91
Rilevato:	181.54
SubBallast:	1.55
Ballast:	4.99
Inerbimento:	8.21
SuperCompattato:	4.06
Stradello:	1.28
Anticapillare:	0.00
Scotico:	17.86
Bonifica:	7.15

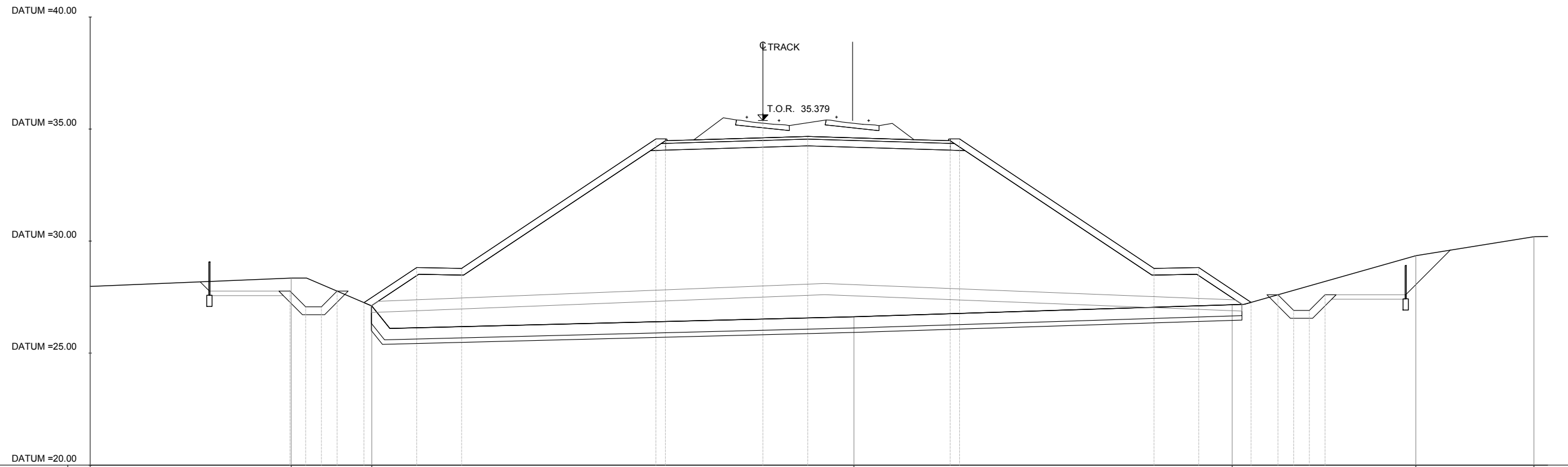
PROG 14+880.00
SEZ. RI07_4



QUOTE TERRENO	27.75	27.94	27.18	27.01	27.35	27.47	28.36	29.81	29.97
DIST. PROGRESSIVE TERRENO	-30.00	-20.45	-16.82	-8.80	6.16	21.60	26.10	29.40	35.00
QUOTE PROGETTO		27.80 27.10 27.10 27.80	27.41	28.68 28.64	34.42 34.34	35.24 34.53	34.34 34.42	27.45 27.46 26.76 26.76 27.46	
DIST. PROGRESSIVE PROGETTO		-20.65 -19.95 -19.25 -18.55	-17.35	-15.44 -13.44	-4.77 -4.35	-0.00 2.00	8.35 8.77	19.22 20.42 21.12 21.82 22.52	
DISTANZA BINARI					-0.00 4.00				

AREA	
Scavo:	14.49
Rilevato:	202.01
SubBallast:	1.55
Ballast:	4.99
Inerbimento:	9.20
SuperCompattato:	4.06
Stradello:	1.28
Anticapillare:	19.12
Scotico:	19.63
Bonifica:	7.86

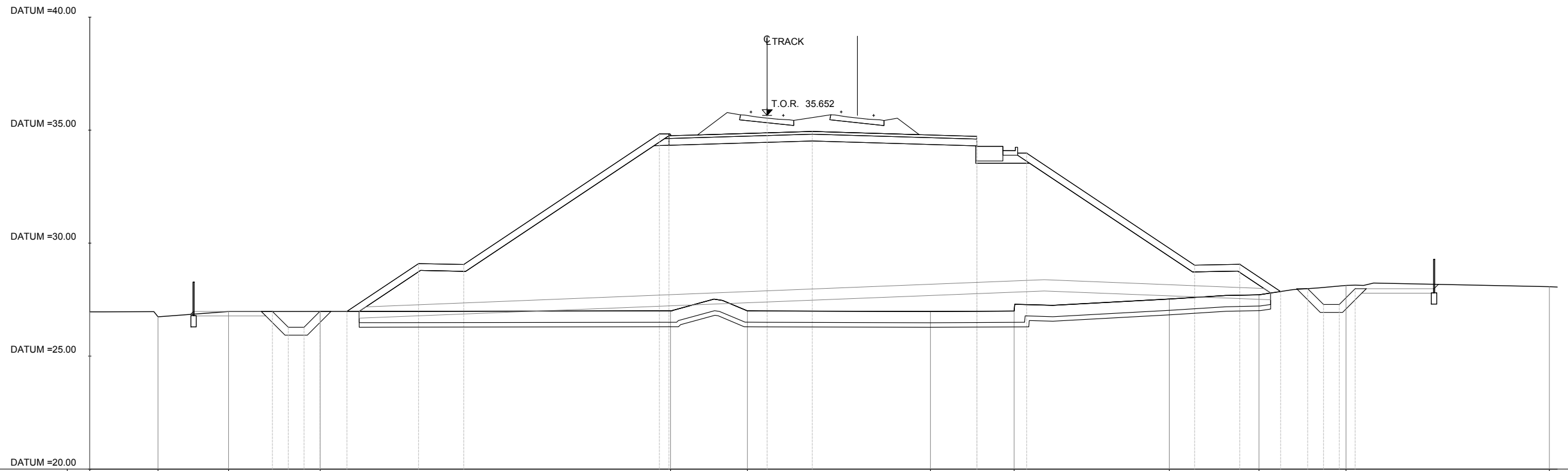
PROG 14+900.00
SEZ. RI07_5



QUOTE TERRENO	27.98	28.35	27.10		26.62	27.16	29.35	30.19
DIST. PROGRESSIVE TERRENO	-30.00	-21.04	-17.44		4.06	20.93	29.12	34.39
QUOTE PROGETTO		27.77 27.07 27.07 27.77	27.25	28.82 28.78	34.56 34.48	35.38 34.67	34.48 34.56	28.78 28.82 27.27 27.60 26.91 26.90 27.61
DIST. PROGRESSIVE PROGETTO		-21.09 -20.39 -19.69 -18.99	-17.79	-15.44 -13.44	-4.77 -4.35	-0.00 2.00	8.35 8.77	17.44 19.44 21.77 22.97 23.67 24.37 25.07
DISTANZA BINARI					-0.00 4.00			

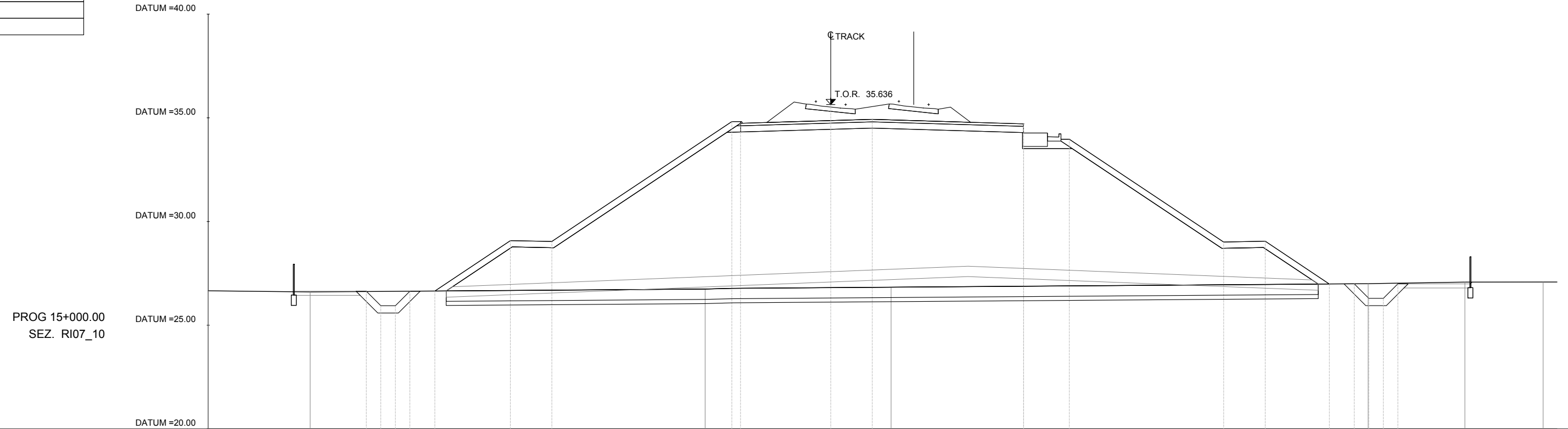
AREA	
Scavo:	6.35
Rilevato:	215.00
SubBallast:	1.65
Ballast:	5.00
Inerbimento:	8.81
SuperCompattato:	4.23
Stradello:	1.24
Anticapillare:	19.89
Scotico:	20.42
Bonifica:	8.17

PROG 14+960.00
SEZ. RI07_8



QUOTE TERRENO	26.96	26.74	26.97	26.98	27.00	27.00	26.98	26.99	27.53	27.72	28.13	28.07
DIST. PROGRESSIVE TERRENO	-30.00	-26.98	-23.85	-19.79	-4.27	-0.87	7.23	10.94	17.81	21.79	25.64	34.65
QUOTE PROGETTO				26.98 26.28 26.28	26.98	29.09 29.05	34.83 34.75	35.65 34.94	34.28 33.98	29.03 29.06	27.86 27.98 27.28	27.28 27.98
DIST. PROGRESSIVE PROGETTO				-21.91 -21.21 -20.51	-19.81 -18.61	-15.44 -13.44	-4.77 -4.35	0.00 2.00	9.20 11.50	18.93 20.94	22.74 23.94 24.64	25.34 26.04
DISTANZA BINARI							0.00	4.00				

AREA	
Scavo:	5.66
Rilevato:	228.80
SubBallast:	1.65
Ballast:	5.01
Inerbimento:	9.42
SuperCompattato:	4.23
Stradello:	1.24
Anticapparelli:	20.70
Scotico:	21.01
Bonifica:	8.41

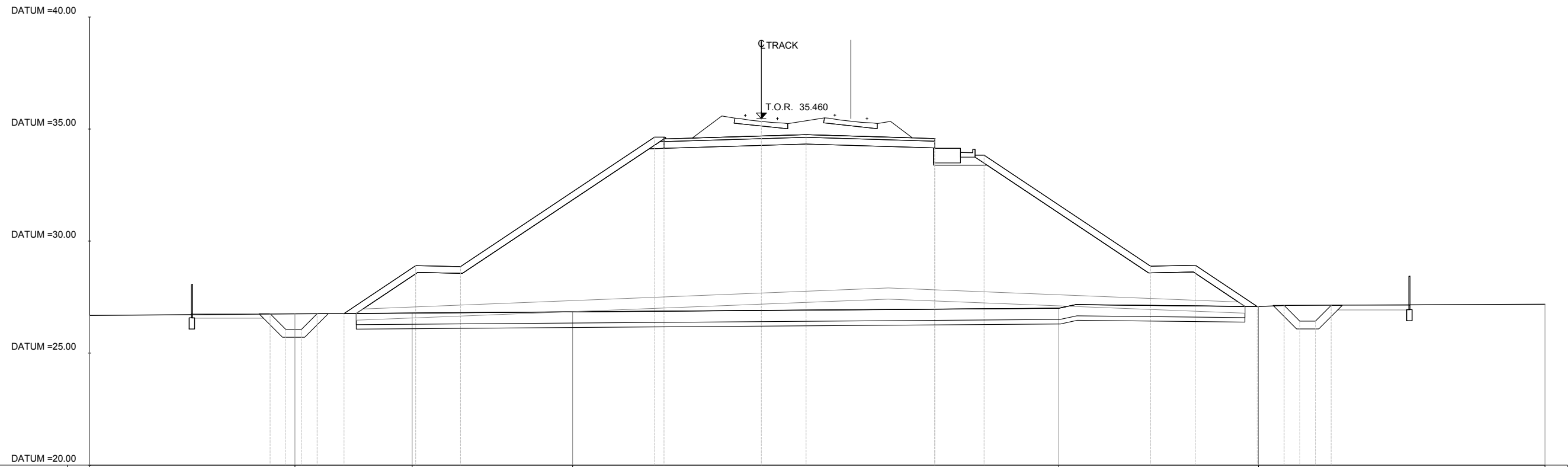


PROG 15+000.00
SEZ. RI07_10

QUOTE TERRENO	-30.00	-25.09	-6.05	-2.91	27.00	30.56	34.33
DIST. PROGRESSIVE TERRENO	26.66	26.60	26.74	26.83	27.00	27.08	27.08
QUOTE PROGETTO							
DIST. PROGRESSIVE PROGETTO							
DISTANZA BINARI							

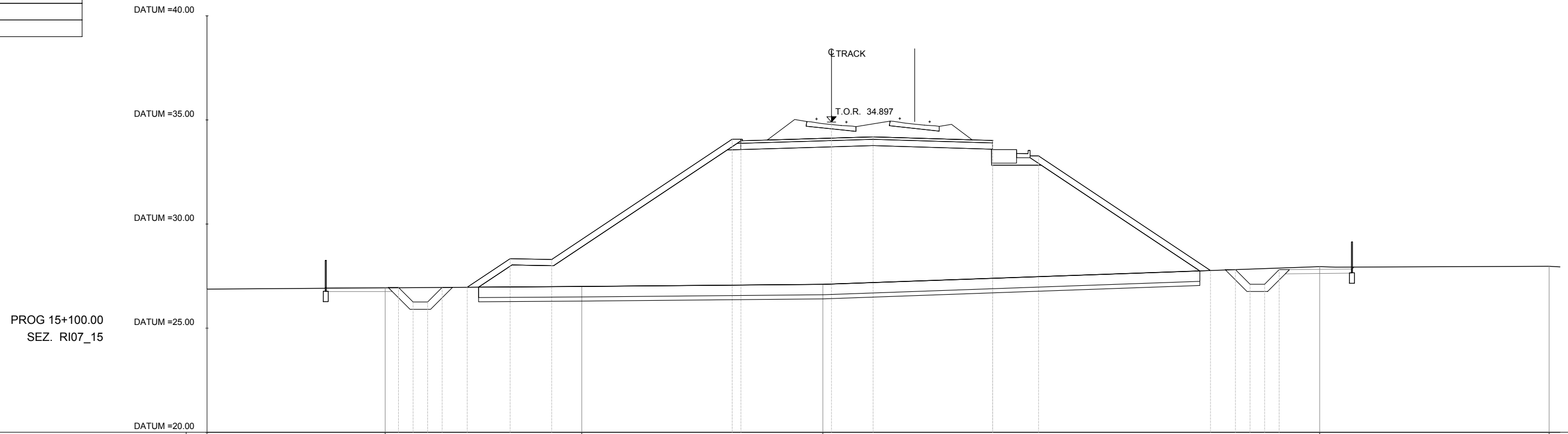
AREA	
Scavo:	5.49
Rilevato:	205.16
SubBallast:	1.46
Ballast:	5.03
Inerbimento:	9.14
SuperCompattato:	3.76
Stradello:	1.24
Anticapillare:	19.55
Scotico:	19.86
Bonifica:	7.94

PROG 15+040.00
SEZ. RI07_12



QUOTE TERRENO	26.68	26.75	26.79	26.84		27.00	27.08	27.18		
DIST. PROGRESSIVE TERRENO	-30.00	-20.83	-15.59	-8.43		13.28	22.20	35.00		
QUOTE PROGETTO		26.76 26.06	26.76 26.06	26.77	28.90 28.86	34.64 34.56	35.46 34.75	34.58 33.84	28.88 28.92	27.08 27.13 26.43 26.43 27.13
DIST.PROGRESSIVE PROGETTO		-21.94 -21.24	-20.54 -19.84	-18.64	-15.44 -13.44	-4.77 -4.35	0.00 2.00	7.75 9.95	17.38 19.39	22.15 23.35 24.05 24.75 25.45
DISTANZA BINARI							0.00 4.00			

AREA	
Scavo:	5.85
Rilevato:	167.54
SubBallast:	1.46
Ballast:	5.07
Inerbimento:	7.43
SuperCompattato:	3.76
Stradello:	1.24
Anticapillare:	0.00
Scotico:	17.33
Bonifica:	6.93

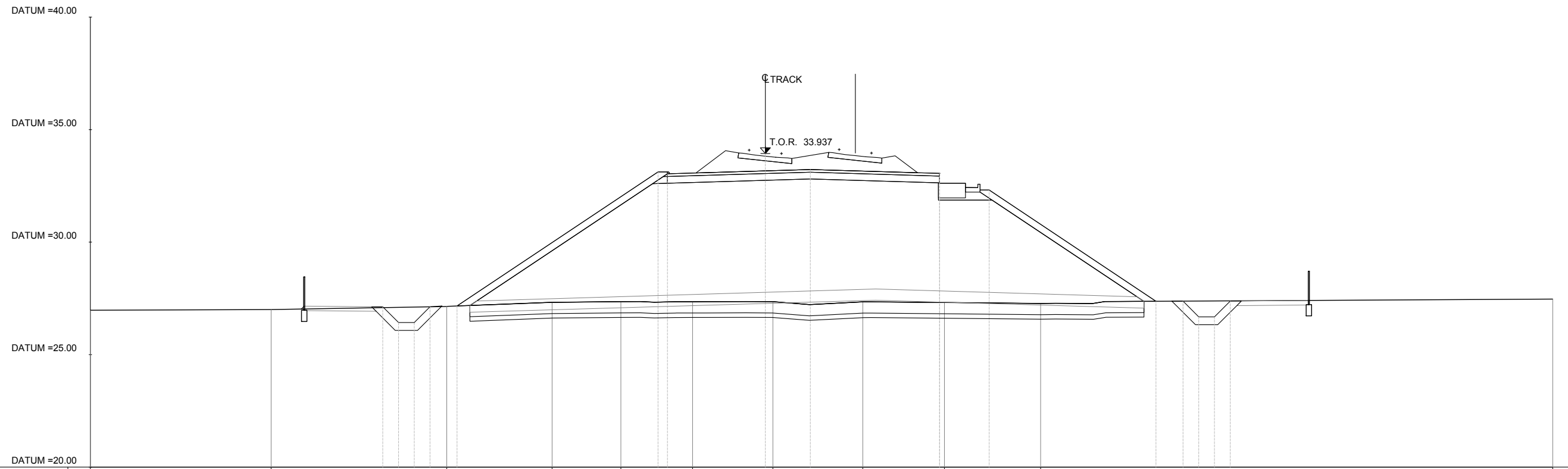


PROG 15+100.00
SEZ. RI07_15

QUOTE TERRENO	26.87	26.94	27.00	27.10	27.95	27.97	
DIST. PROGRESSIVE TERRENO	-30.00	-21.44	-12.00	-0.41	23.46	34.48	
QUOTE PROGETTO		26.96 26.26 26.26 26.96	28.34 28.30	34.08 34.00	34.90 34.19	33.07 33.27	27.77 27.81 27.11 27.11 27.81
DIST. PROGRESSIVE PROGETTO		-20.80 -20.10 -19.40 -18.70	-17.50 -15.44 -13.44	-4.77 -4.35	-0.00 2.00	7.76 9.95	18.21 19.41 20.11 20.81 21.51
DISTANZA BINARI				-0.00	4.00		

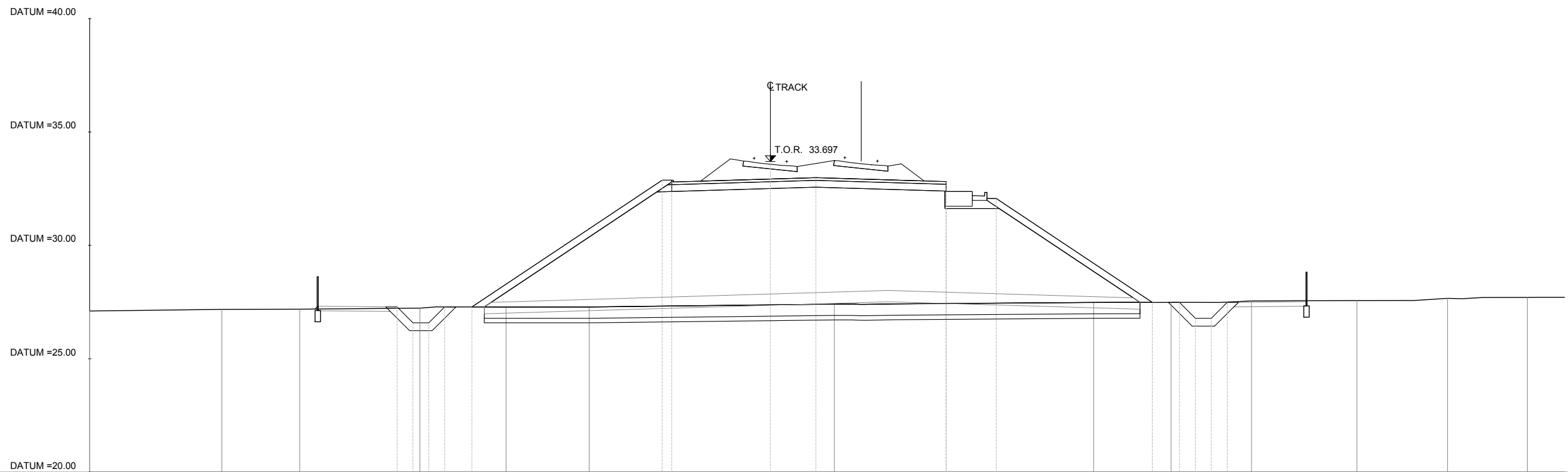
AREA	
Scavo:	5.24
Rilevato:	131.33
SubBallast:	1.46
Ballast:	5.09
Inerbimento:	5.87
SuperCompattato:	3.76
Stradello:	1.23
Anticapillare:	14.79
Scotico:	14.99
Bonifica:	6.00

PROG 15+180.00
SEZ. RI07_19



QUOTE TERRENO	26.97	27.00	27.14	27.32	27.35	27.35	27.35	27.34	27.32	27.27	27.47							
DIST. PROGRESSIVE TERRENO	-30.00	-21.97	-14.16	-9.47	-6.42	-3.23	0.34	4.33	7.96	12.24	35.00							
QUOTE PROGETTO			27.13	26.43	26.42	27.13	27.16	33.12	33.04	33.94	33.23	32.05	32.31	27.37	27.38	26.68	26.68	27.38
DIST. PROGRESSIVE PROGETTO			-17.00	-16.30	-15.60	-14.90	-13.70	-4.77	-4.35	-0.00	2.00	7.75	9.95	17.36	18.56	19.26	19.96	20.66
DISTANZA BINARI										-0.00	4.00							

AREA	
Scavo:	5.29
Rilevato:	121.64
SubBallast:	1.46
Ballast:	5.08
Inerbimento:	5.49
SuperCompattato:	3.76
Stradello:	1.23
Anticapillare:	14.26
Scotico:	14.45
Bonifica:	5.78

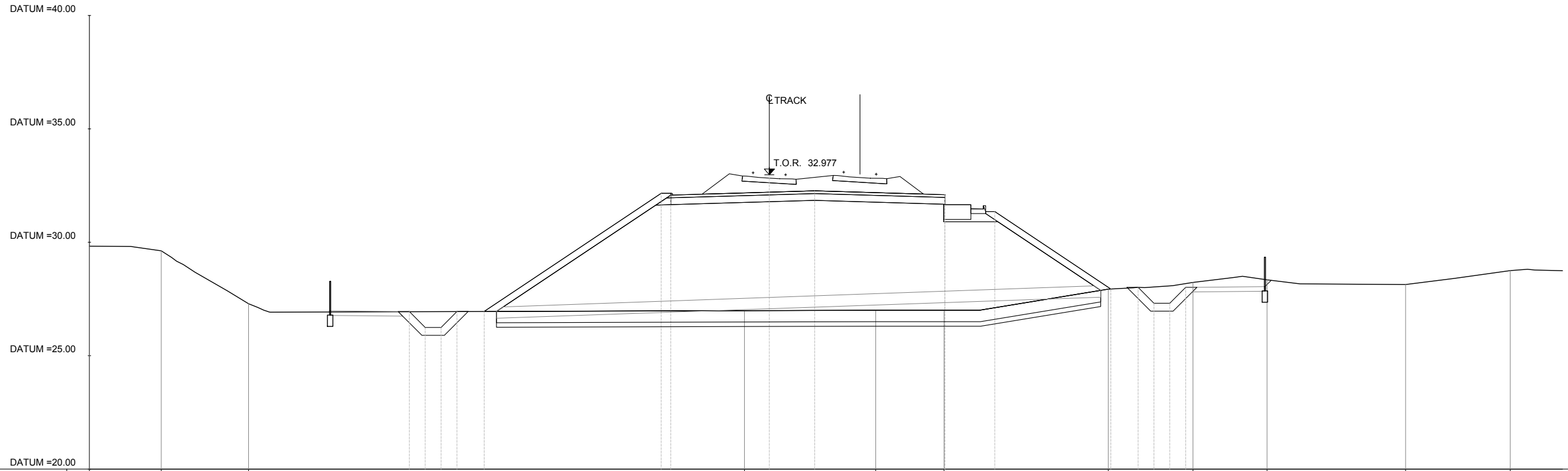


PROG 15+200.00
SEZ. RI07_20

QUOTE TERRENO	27.11	27.18	27.19	27.23	27.28	27.28	27.41	27.48	27.49	27.55	27.56	27.66	27.70
DIST. PROGRESSIVE TERRENO	-30.00	-24.18	-20.74	-15.45	-11.65	-7.99	2.82	14.24	17.66	21.20	25.85	29.84	33.36
QUOTE PROGETTO				27.29 26.59 26.59 27.29	27.28		33.70 32.88 32.80	32.99	32.87 32.07	27.49 27.49 26.79 26.79	27.49		
DIST. PROGRESSIVE PROGETTO				-16.46 -15.76 -15.06 -14.36	-13.16		-4.77 -4.35	0.00 2.00	7.76 9.95	16.83 18.03 18.73 19.43	20.13		
DISTANZA BINARI							0.00	4.00					

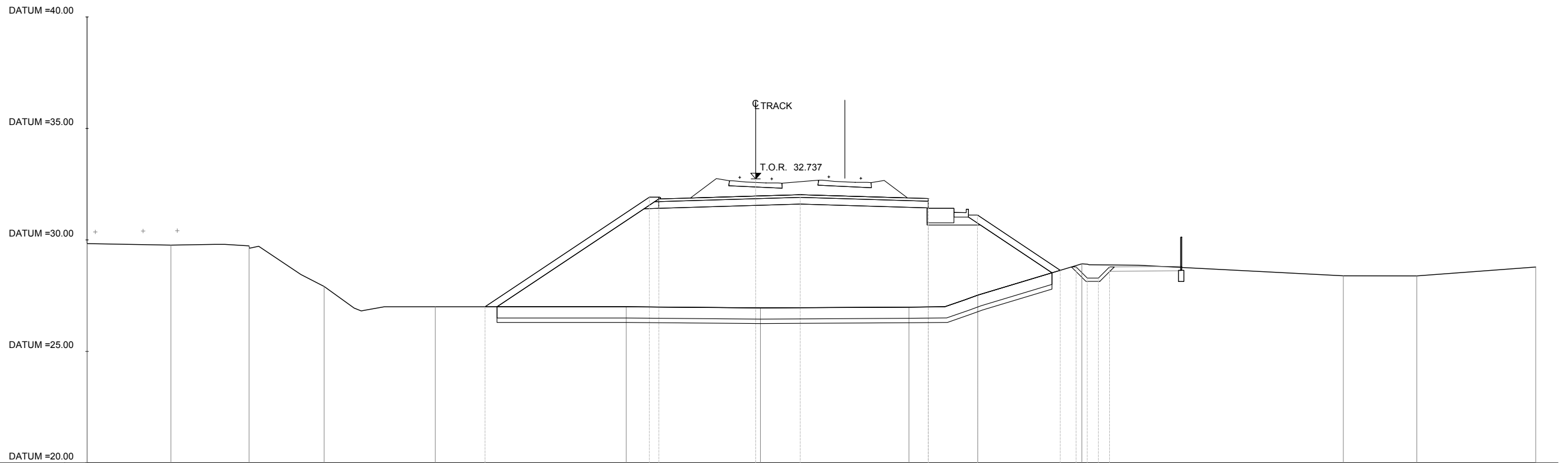
AREA	
Scavo:	6.75
Rilevato:	108.51
SubBallast:	1.47
Ballast:	4.78
Inerbimento:	4.67
SuperCompattato:	3.75
Stradello:	1.23
Anticapillare:	13.27
Scotico:	13.37
Bonifica:	5.35

PROG 15+260.00
SEZ. RI07_23



QUOTE TERRENO	29.83	29.62	27.29					26.99	27.00	27.00		27.93	28.23	28.34	28.14	28.75	
DIST. PROGRESSIVE TERRENO	-30.00	-26.83	-22.98					-1.09	4.69	7.71		14.96	18.69	21.96	28.07	32.69	
QUOTE PROGETTO				-15.88	-15.18	-14.48	-13.78	-12.58		32.16	32.08		32.98	32.27			
DIST. PROGRESSIVE PROGETTO				-4.77	-4.35	0.00	2.00			7.74	9.95		15.07	16.27	16.97	17.67	18.37
DISTANZA BINARI									0.00	4.00							

AREA	
Scavo:	1.71
Rilevato:	98.04
SubBallast:	1.46
Ballast:	4.68
Inerbimento:	4.02
SuperCompattato:	3.76
Stradello:	0.62
Anticpillare:	0.00
Scotico:	12.57
Bonifica:	5.03

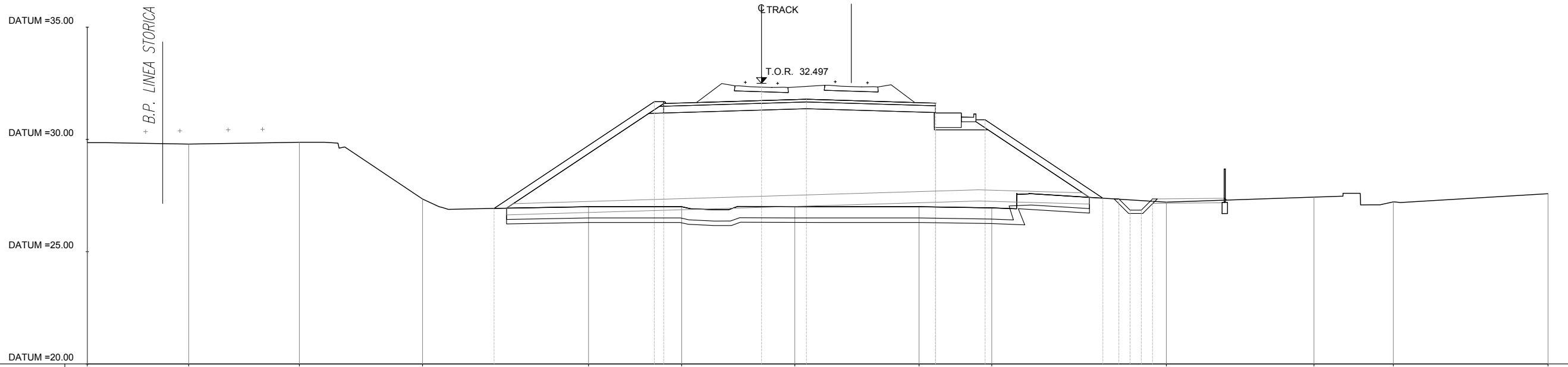


PROG 15+280.00
SEZ. RI07_24

QUOTE TERRENO	29.83	29.77	29.73	27.91	27.00	27.00	26.95	26.99	27.52	28.93	28.39	28.39	28.78			
DIST. PROGRESSIVE TERRENO	-30.00	-26.24	-22.73	-19.36	-14.38	-5.81	0.21	6.87	9.96	14.63	26.36	29.66	35.00			
QUOTE PROGETTO						27.00	31.92 31.84	32.74	32.03	31.12	28.64	28.79	28.29	28.29	28.79	
DIST. PROGRESSIVE PROGETTO						-12.15	-4.77 -4.35	-0.00	2.00	7.74	9.95	13.66	14.38	14.88	15.38	15.88
DISTANZA BINARI								-0.00	4.00							

AREA	
Scavo:	0.97
Rilevato:	95.75
SubBallast:	1.46
Ballast:	4.58
Inerbimento:	4.44
SuperCompattato:	3.76
Stradello:	0.62
Anticapillare:	12.79
Scotico:	12.84
Bonifica:	5.18

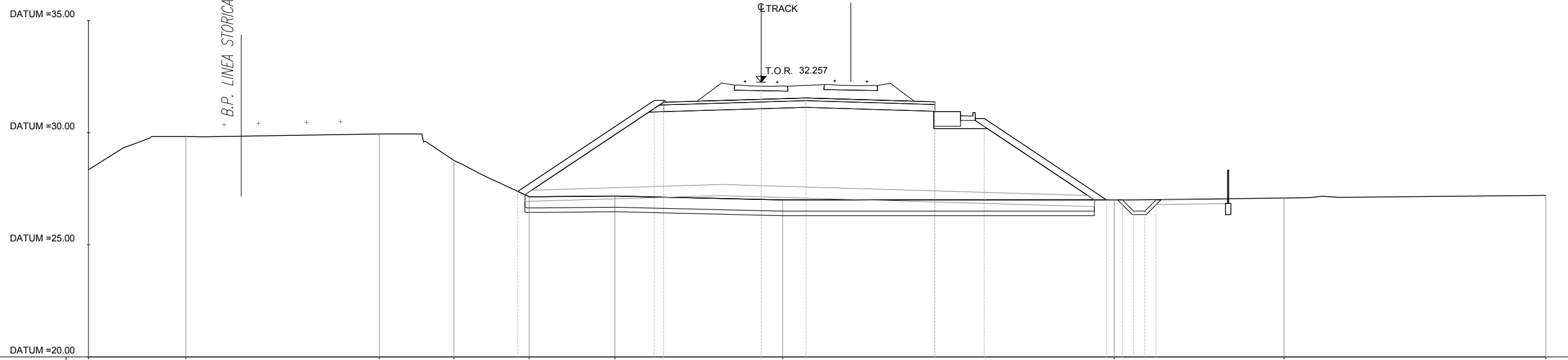
PROG 15+300.00
SEZ. RI07_25



QUOTE TERRENO	29.86	29.79	29.87	27.34	27.00	27.00	27.00	27.00	26.95	27.21	27.43	27.22	27.58
DIST. PROGRESSIVE TERRENO	-30.00	-25.49	-20.56	-15.08	-7.69	-3.55	1.48	7.01	10.25	18.02	24.58	28.12	35.00
QUOTE PROGETTO					26.93	31.68 31.60	32.50	31.79	31.08	30.88	27.38 27.35 26.85 26.85	27.35	
DIST. PROGRESSIVE PROGETTO					-11.90	-4.77 -4.35	0.00	2.00	7.76	9.95	15.19 15.90 16.40 16.90	17.40	
DISTANZA BINARI							0.00	4.00					

AREA	
Scavo:	1.52
Rilevato:	93.86
SubBallast:	1.46
Ballast:	4.48
Inerbimento:	4.19
SuperCompattato:	3.76
Stradello:	0.62
Anticpillare:	12.53
Scotico:	15.43
Bonifica:	6.17

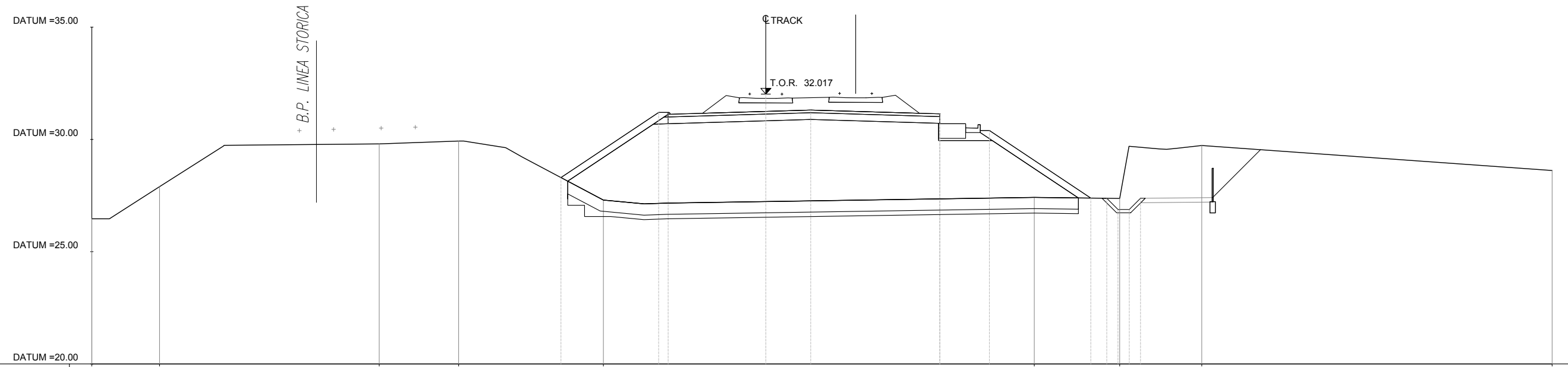
PROG 15+320.00
SEZ. RI07_26



QUOTE TERRENO	28.35	29.83	29.95	28.76	27.15	27.18	27.00	27.00	27.00	27.09	27.21			
DIST. PROGRESSIVE TERRENO	-30.00	-25.66	-17.03	-13.70	-10.34	-6.52	0.96	15.75	23.32	35.00				
QUOTE PROGETTO					27.38	31.44 31.36	32.26	31.55	30.98	30.63	27.00	27.00	26.50	27.00
DIST. PROGRESSIVE PROGETTO					-10.85	-4.77 -4.35	-0.00	2.00	7.75	9.95	15.40	16.11	16.61	17.11
DISTANZA BINARI							-0.00	4.00						

AREA	
Scavo:	12.73
Rilevato:	75.02
SubBallast:	1.46
Ballast:	4.39
Inerbimento:	3.23
SuperCompattato:	3.76
Stradello:	0.62
Anticapillare:	0.00
Scotico:	11.47
Bonifica:	4.59

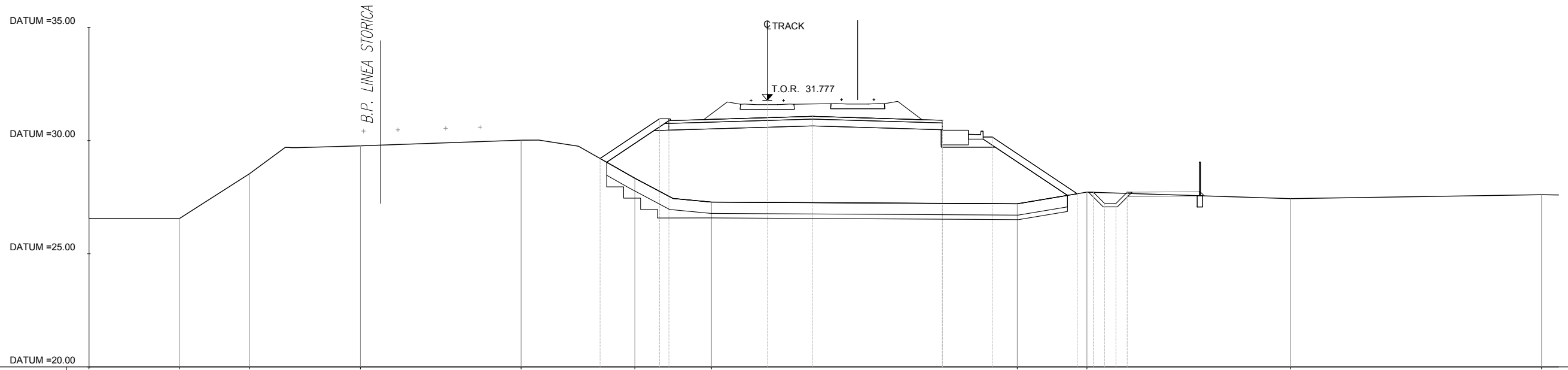
PROG 15+340.00
SEZ. RI07_27



QUOTE TERRENO	26.46	27.89	29.80	29.93	27.30	31.20	31.12	32.02	31.31	30.70	30.39	27.42	27.37	29.73	28.62	
DIST. PROGRESSIVE TERRENO	-30.00	-26.99	-17.21	-13.67	-7.23	-4.77	-4.35	-0.00	2.00	7.75	9.95	11.95	15.75	19.41	35.00	
QUOTE PROGETTO					28.30	31.20	31.12	32.02	31.31	30.70	30.39	27.42	27.37	29.73	28.62	
DIST. PROGRESSIVE PROGETTO					-9.12	-4.77	-4.35	-0.00	2.00	7.75	9.95	14.46	15.18	15.68	16.18	16.68
DISTANZA BINARI								-0.00	4.00							

AREA	
Scavo:	1.02
Rilevato:	64.60
SubBallast:	1.46
Ballast:	4.36
Inerbimento:	2.36
SuperCompattato:	3.76
Stradello:	0.62
Anticapillare:	0.00
Scotico:	10.41
Bonifica:	4.16

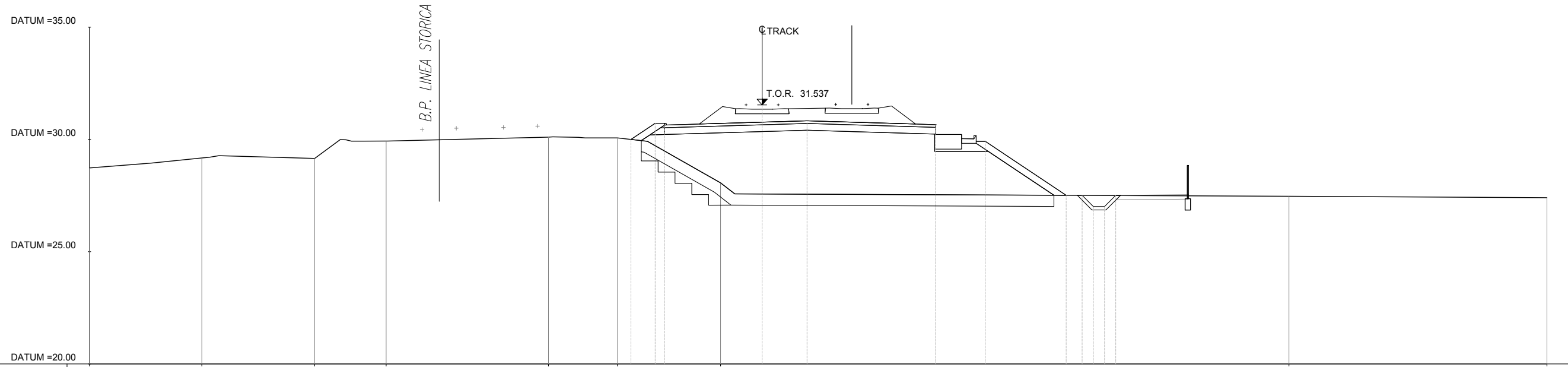
PROG 15+360.00
SEZ. RI07_28



QUOTE TERRENO	26.55	26.55	28.53	29.77	30.02	28.34	27.28	27.20	27.72	27.43	27.61	
DIST. PROGRESSIVE TERRENO	-30.00	-26.01	-22.90	-18.00	-10.89	-5.86	-2.47	11.06	14.14	23.14	34.25	
QUOTE PROGETTO						29.21	30.96 30.88	31.78	31.07	30.96	30.15	27.65 27.72 27.22 27.72
DIST. PROGRESSIVE PROGETTO						-7.40	-4.77 -4.35	0.00	2.00	7.76	9.95	13.71 14.42 14.92 15.42 15.92
DISTANZA BINARI								0.00	4.00			

AREA	
Scavo:	1.35
Rilevato:	47.50
SubBallast:	1.46
Ballast:	4.36
Inerbimento:	1.69
SuperCompattato:	3.76
Stradello:	0.62
Anticapillare:	0.00
Scotico:	9.53
Bonifica:	0.00

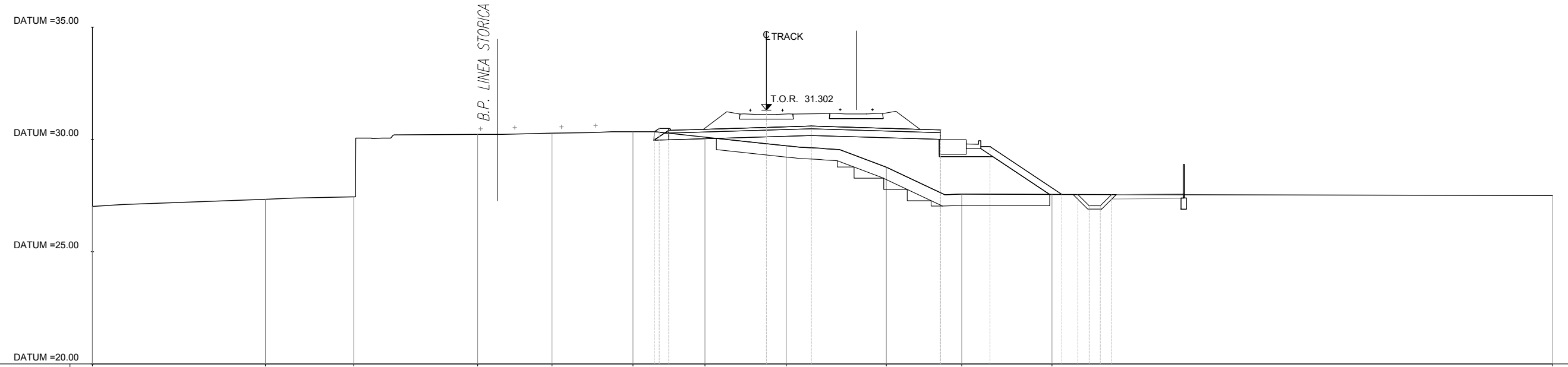
PROG 15+380.00
SEZ. RI07_29



QUOTE TERRENO	28.73	29.17	29.15	29.92	30.10	30.07	28.06	27.47	27.40								
DIST. PROGRESSIVE TERRENO	-30.00	-24.99	-19.96	-16.77	-9.53	-6.45	-1.85	23.49	35.00								
QUOTE PROGETTO						30.00	30.72	30.64	31.54	30.83	30.88	29.92	27.51	27.51	27.01	27.01	27.51
DIST. PROGRESSIVE PROGETTO						-5.85	-4.77	-4.35	-0.00	2.00	7.76	9.95	13.56	14.27	14.77	15.27	15.77
DISTANZA BINARI									-0.00	4.00							

AREA	
Scavo:	1.91
Rilevato:	21.97
SubBallast:	1.46
Ballast:	4.34
Inerbimento:	1.23
SuperCompattato:	3.76
Stradello:	0.62
Anticapillare:	0.00
Scotico:	7.64
Bonifica:	0.00

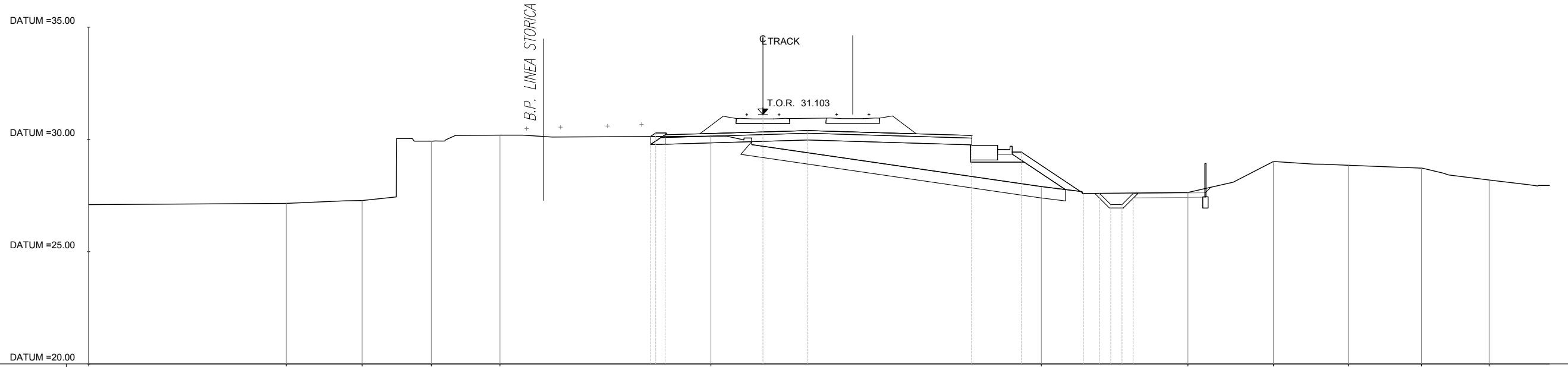
PROG 15+400.00
SEZ. RI07_30



QUOTE TERRENO	27.01	27.33	27.44	30.22	30.28	30.34	30.10	29.71	28.76	27.56	27.55	27.50
DIST. PROGRESSIVE TERRENO	-30.00	-22.30	-18.37	-12.85	-9.54	-5.94	-2.74	0.89	5.34	8.69	12.71	35.00
QUOTE PROGETTO						30.34 30.40		31.30 30.59		29.88 29.68	27.55 27.54 27.04 27.04	
DIST. PROGRESSIVE PROGETTO						4.99 4.35		0.00 2.00		7.75 9.95	13.15 13.86 14.36 14.86 15.36	
DISTANZA BINARI								0.00 4.00				

AREA	
Scavo:	2.91
Rilevato:	23.03
SubBallast:	1.65
Ballast:	4.30
Inerbimento:	1.00
SuperCompattato:	4.22
Stradello:	0.62
Anticapillare:	0.00
Scotico:	7.21
Bonifica:	0.00

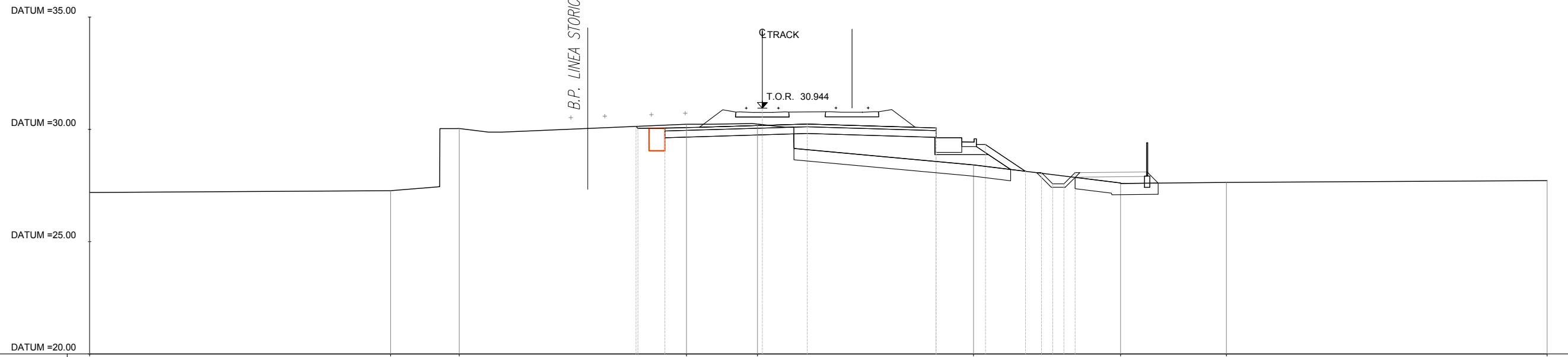
PROG 15+420.00
SEZ. RI07_31



QUOTE TERRENO	27.10	27.15	27.28	29.92	30.19	30.14	27.90	27.64	29.02	28.85	28.72	28.19
DIST. PROGRESSIVE TERRENO	-30.00	-21.21	-17.83	-14.75	-11.70	-2.32	12.39	18.91	22.72	26.04	29.30	32.31
QUOTE PROGETTO						30.28 30.20	31.10 30.39	30.78	29.44	27.59 27.60 27.10 27.10	27.60	
DIST. PROGRESSIVE PROGETTO						5.99 4.35	0.00 2.00	9.29	11.50	14.26 14.98 15.48 15.98	16.48	
DISTANZA BINARI							-0.00	4.00				

AREA	
Scavo:	4.32
Rilevato:	14.26
SubBallast:	1.45
Ballast:	4.28
Inerbimento:	0.62
SuperCompattato:	3.63
Stradello:	0.62
Anticapillare:	0.00
Scotico:	6.74
Bonifica:	0.00

PROG 15+440.00
SEZ. RI07_32



QUOTE TERRENO	27.19	27.27	30.04		30.23	30.23		28.42		27.61	27.64	27.72			
DIST. PROGRESSIVE TERRENO	-30.00	-16.58	-13.52		-3.38	-0.22		9.42		15.98	20.69	35.00			
QUOTE PROGETTO					30.04	30.04	30.94	30.24	20.08	29.32	28.13	28.07	27.57	28.07	
DIST. PROGRESSIVE PROGETTO					-6.64	-4.35	0.00	2.00	7.76	9.95	11.74	12.45	12.95	13.45	13.95
DISTANZA BINARI							0.00	4.00							

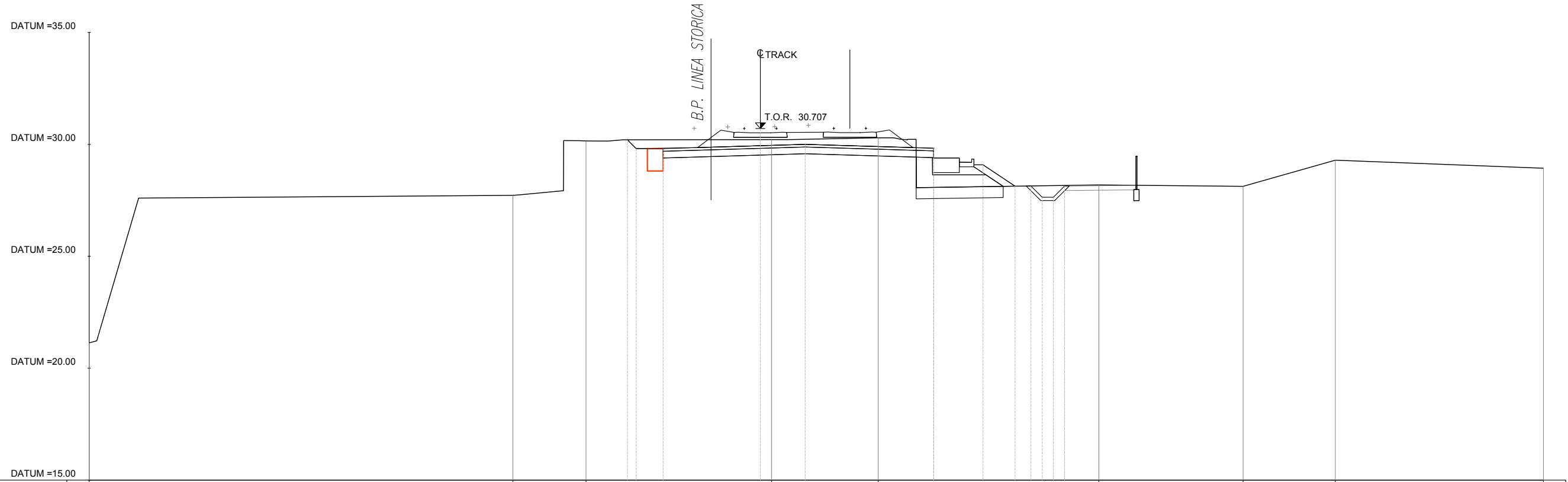
AREA	
Scavo:	9.13
Rilevato:	7.28
SubBallast:	1.45
Ballast:	4.26
Inerbimento:	0.65
SuperCompattato:	3.63
Stradello:	0.62
Anticapillare:	0.00
Scotico:	2.68
Bonifica:	0.00

PROG 15+500.00
SEZ. RI07_35



QUOTE TERRENO	27.46	27.59	30.06	30.09	30.10	30.23	27.86	27.97						
DIST. PROGRESSIVE TERRENO	-30.00	-12.16	-8.10	0.38	4.34	11.72	35.00							
QUOTE PROGETTO				29.89	30.71	30.00	29.89	29.08	27.86	27.86	27.36	27.36	27.86	
DIST. PROGRESSIVE PROGETTO				-5.84	-4.35	-0.00	2.00	7.75	9.95	11.79	12.50	13.00	13.50	14.00
DISTANZA BINARI					-0.00	4.00								

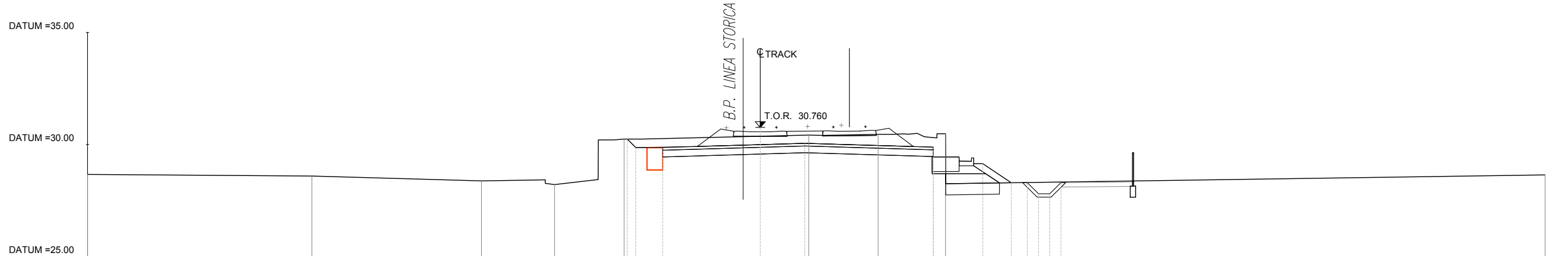
AREA	
Scavo:	11.15
Rilevato:	4.43
SubBallast:	1.45
Ballast:	4.27
Inerbimento:	0.51
SuperCompattato:	3.63
Stradello:	0.62
Anticapillare:	0.00
Scotico:	1.95
Bonifica:	0.00



QUOTE TERRENO	21.13	27.72	30.15	30.21	30.29	28.18	28.12	29.29	28.93
DIST. PROGRESSIVE TERRENO	-30.00	-11.06	-7.79	0.50	5.27	15.13	21.57	25.70	35.00
QUOTE PROGETTO				30.20 29.81	30.71 30.00	29.89	29.09	28.13 28.14 27.64 27.64 28.14	
DIST.PROGRESSIVE PROGETTO				-5.94 -5.55	-4.35	0.00	2.00	7.76	9.95
DISTANZA BINARI				0.00	4.00				

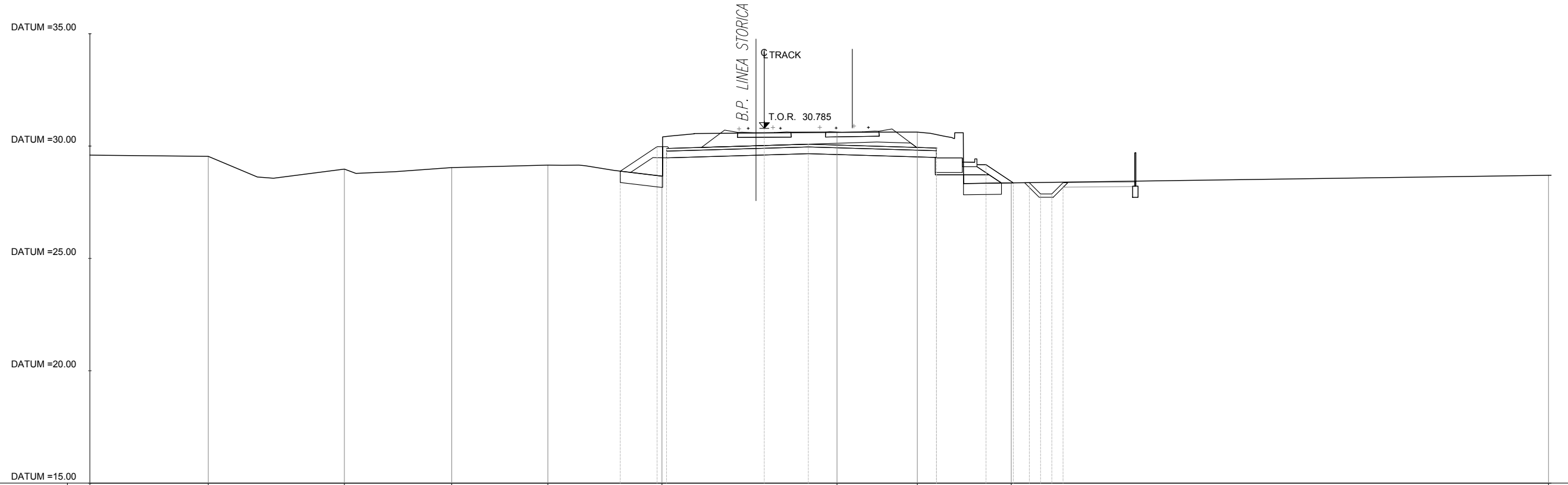
AREA	
Scavo:	13.95
Rilevato:	2.09
SubBallast:	1.45
Ballast:	4.35
Inerbimento:	0.45
SuperCompattato:	3.62
Stradello:	0.62
Anticapillare:	0.00
Scotico:	1.20
Bonifica:	0.00

PROG 15+560.00
SEZ. RI07_38



QUOTE TERRENO	28.66	28.59	28.37	28.21	30.24	30.42	30.45	30.48	28.64
DIST. PROGRESSIVE TERRENO	-30.00	-19.99	-12.43	-9.17	-6.07	2.16	5.26	8.26	35.00
QUOTE PROGETTO					30.24 29.86	30.76 30.05		29.88 29.14	28.29 28.30 27.80 28.30
DIST. PROGRESSIVE PROGETTO					-5.93 -5.55	-4.35	0.00 1.99	7.72 9.92	11.20 11.91 12.41 12.91 13.41
DISTANZA BINARI						0.00	3.97		

AREA	
Scavo:	62.11
Rilevato:	3.70
SubBallast:	1.44
Ballast:	4.29
Inerbimento:	0.43
SuperCompattato:	3.60
Stradello:	0.62
Anticapillare:	0.00
Scotico:	1.80
Bonifica:	0.00



PROG 15+578.00
SEZ. RI07_39

QUOTE TERRENO	29.60	29.54	28.97	29.04	29.15	28.66	30.61	30.62	28.36	28.70						
DIST. PROGRESSIVE TERRENO	-30.00	-24.73	-18.68	-13.91	-9.63	-4.55	3.23	6.80	10.98	34.88						
QUOTE PROGETTO						28.88	29.97	30.78	29.17	28.36	28.37	27.87	27.87	28.37		
DIST. PROGRESSIVE PROGETTO						-6.41	-4.77	-0.00	1.96	7.66	9.86	11.07	11.79	12.29	12.79	13.29
DISTANZA BINARI								-0.00	3.91							