

COMMITTENTE:



DIREZIONE LAVORI:



APPALTATORE:

MANDATARIA:



MANDANTE:



PROGETTAZIONE:

MANDATARIA:



MANDANTI:



PROGETTO ESECUTIVO

LINEA FERROVIARIA NAPOLI - BARI, TRATTA NAPOLI-CANCELLO, IN VARIANTE TRA LE PK 0+000 E PK 15+585, INCLUSE LE OPERE ACCESSORIE, NELL'AMBITO DEGLI INTERVENTI DI CUI AL D.L. 133/2014, CONVERTITO IN LEGGE 164 / 2014

RILEVATI

TR01 - TRINCEA DAL KM 0+240 AL KM 0+550

Sezioni trasversali

APPALTATORE	PROGETTAZIONE
DIRETTORE TECNICO Ing. M. PANISI	DIRETTORE DELLA PROGETTAZIONE Ing. A. CHECCHI

COMMESSA	LOTTO	FASE	ENTE	TIPO DOC.	OPERA/DISCIPLINA	PROGR.	REV.	SCALA:
IF1M	00	E	ZZ	W9	TR0100	001	B	1:200

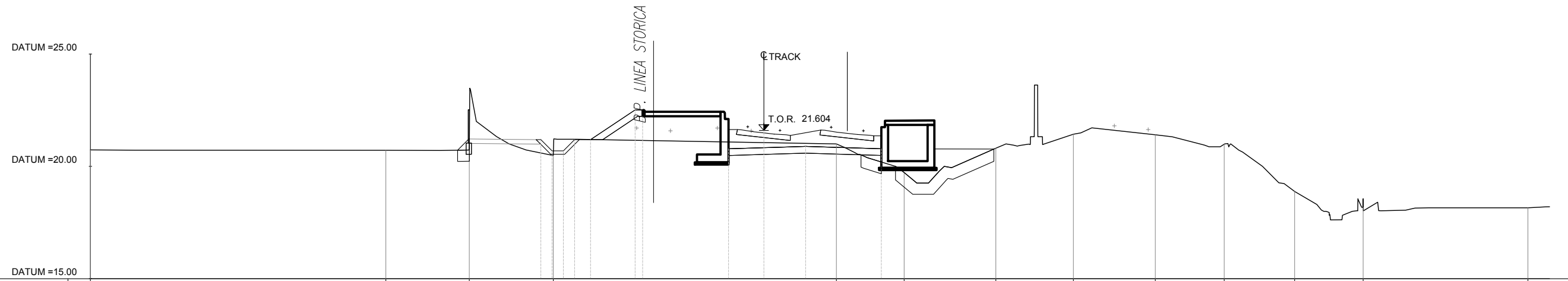
Rev.	Descrizione	Redatto	Data	Verificato	Data	Approvato	Data	Autorizzato Data
A	EMISSIONE	FRANCHINI	14/06/2018	CERAUDO	15/06/2018	PIAZZA	15/06/2018	LACOPO
B	EMISSIONE PER RDV	FRANCHINI	10/09/18	CERAUDO	11/09/18	PIAZZA	11/09/18	
								12/09/18

File:IF1M.0.0.E.ZZ.W9.TR.01.0.0.001.B.DWG

n. Elab.:

AREA	
Scavo:	4.40
Rilevato:	15.01
SubBallast:	0.00
Ballast:	3.44
Inerbimento:	0.72
SuperCompattato:	2.04
Stradello:	0.62
Scotico:	7.16

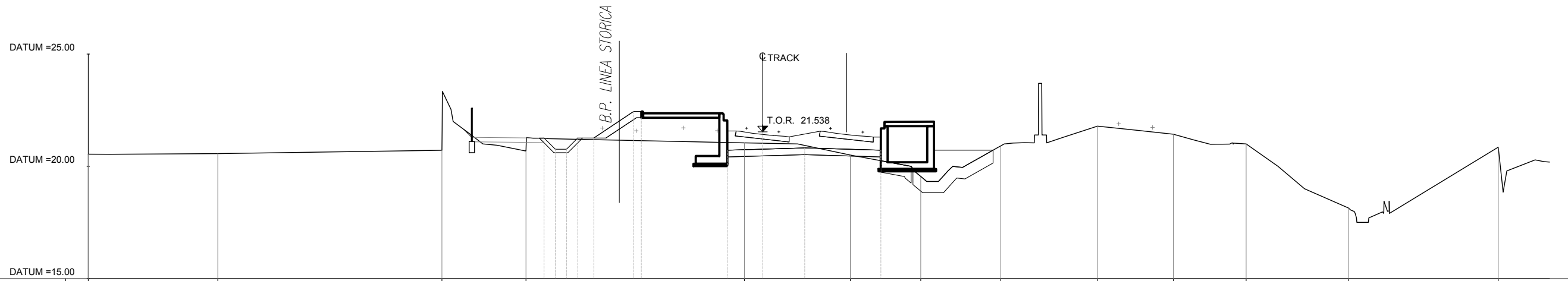
PROG 00+240.01
SEZ. TR01_1



QUOTE TERRENO	20.73	20.72	20.73	20.48	21.00	19.73	20.81	21.43	21.41	20.99	18.88	18.18	18.16
DIST. PROGRESSIVE TERRENO	-30.00	-16.84	-13.12	-9.38	3.23	6.25	10.33	13.79	17.44	20.50	23.64	26.69	34.03
QUOTE PROGETTO				21.19 20.69 20.69 21.19	22.51 22.51	20.79	21.60	20.89	20.79				
DIST. PROGRESSIVE PROGETTO				-9.93 -9.43 -8.93 -8.43	-7.72 -5.74 -5.40	-1.57	-0.00	1.86	5.23				
DISTANZA BINARI						-0.00	3.72						

AREA	
Scavo:	3.28
Rilevato:	15.08
SubBallast:	0.00
Ballast:	3.50
Inerbimento:	0.64
SuperCompattato:	2.05
Stradello:	0.62
Scotico:	7.12

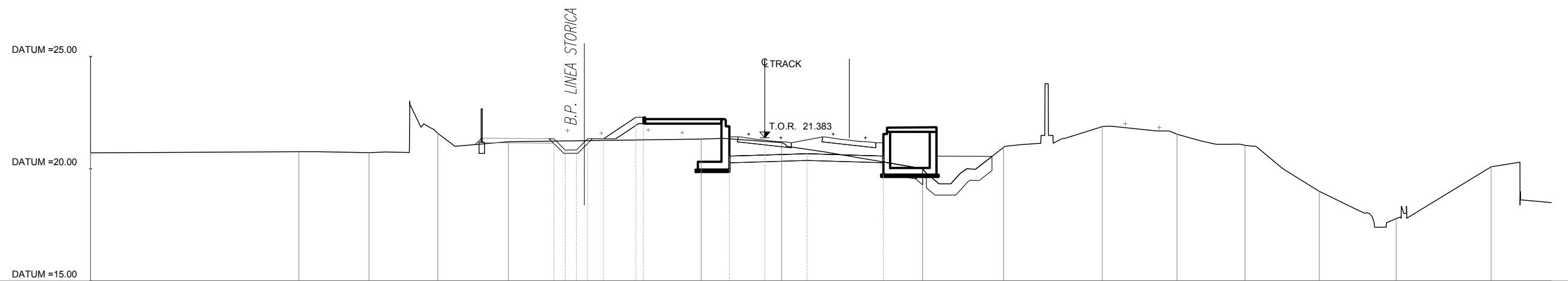
PROG 00+260.00
SEZ. TR01_2



QUOTE TERRENO	20.54	20.57	20.72	20.68	21.05	20.51	19.55	20.92	21.79	21.43	21.00	18.15	20.86
DIST. PROGRESSIVE TERRENO	-30.00	-24.24	-14.27	-10.53	-0.81	3.90	7.03	10.59	14.89	18.26	21.51	26.06	32.72
QUOTE PROGETTO				21.26	20.72	21.54	20.72						
DIST.PROGRESSIVE PROGETTO				-9.73	-1.57	-0.00	5.25						
DISTANZA BINARI							3.74						

AREA	
Scavo:	4.64
Rilevato:	10.99
SubBallast:	0.00
Ballast:	3.54
Inerbimento:	0.52
SuperCompattato:	2.06
Stradello:	0.62
Scotico:	5.76

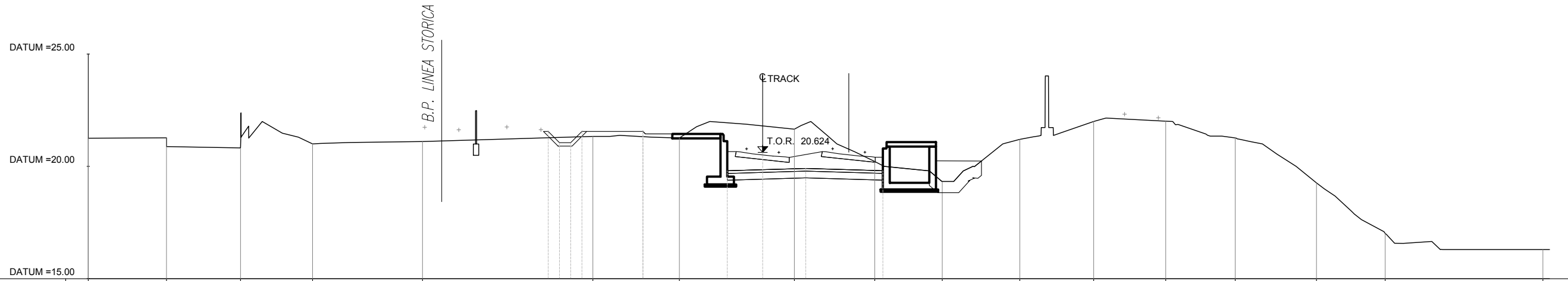
PROG 00+280.00
SEZ. TR01_3



QUOTE TERRENO	20.71	20.76	20.72	21.58	21.21	21.32	21.17	20.00	20.95	21.88	21.54	21.04	19.00	17.78	20.09	
DIST. PROGRESSIVE TERRENO	-30.00	-20.73	-17.61	-14.55	-11.40	-2.83	0.75	7.03	10.62	15.02	18.34	21.37	24.67	28.10	32.32	
QUOTE PROGETTO						21.34	20.84	20.84	21.34	22.01	20.57	21.38	20.67	20.57		
DIST. PROGRESSIVE PROGETTO						-9.38	-8.88	-8.38	-7.88	-7.17	-5.74	-5.40	-1.57	-0.00	1.88	5.28
DISTANZA BINARI								-0.00	3.76							

AREA	
Scavo:	14.66
Rilevato:	6.36
SubBallast:	0.83
Ballast:	3.59
Inerbimento:	0.00
SuperCompattato:	2.08
Stradello:	0.00
Scotico:	4.52

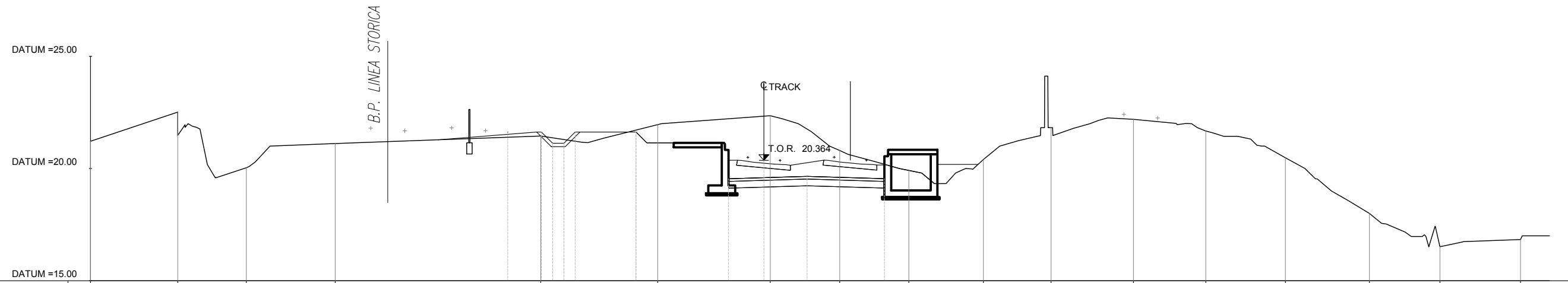
PROG 00+340.00
SEZ. TR01_6



QUOTE TERRENO	21.25	21.27	20.83	21.00	21.11	21.34	21.26	21.66	20.22	19.33	21.20	22.00	22.01	21.27	19.27	17.01	16.30
DIST. PROGRESSIVE TERRENO	-30.00	-26.52	-23.22	-20.02	-15.13	-7.56	-3.71	1.41	4.98	7.99	11.44	14.72	17.93	21.02	24.63	27.69	34.70
QUOTE PROGETTO						21.55 21.06 21.05 21.55	21.56	19.81	20.62	19.91	19.81						
DIST.PROGRESSIVE PROGETTO						-9.54 -9.04 -8.54 -8.04	-5.33	-1.57	-0.00	1.91	5.35						
DISTANZA BINARI									-0.00	3.83							

AREA	
Scavo:	20.37
Rilevato:	4.67
SubBallast:	0.83
Ballast:	3.53
Inerbimento:	0.00
SuperCompattato:	2.08
Stradello:	0.00

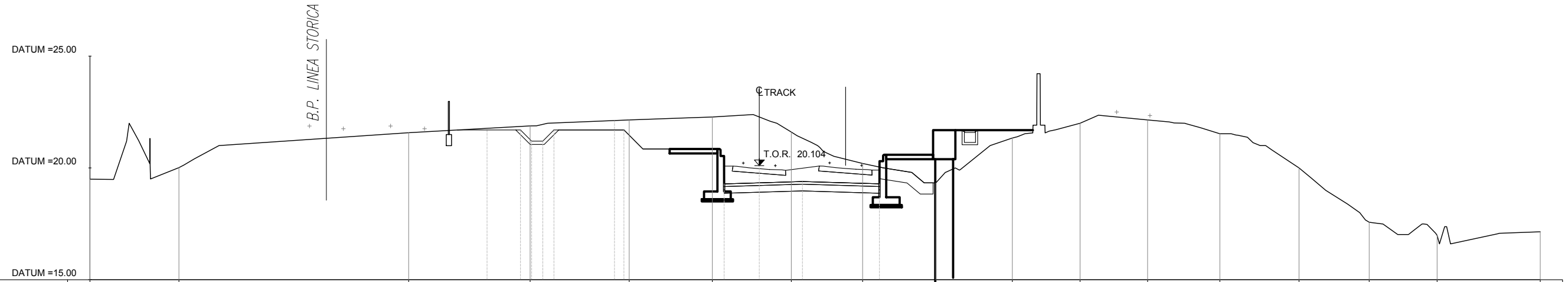
PROG 00+360.00
SEZ. TR01_7



QUOTE TERRENO	21.22	22.52	20.03	21.12																
DIST. PROGRESSIVE TERRENO	-30.00	-26.11	-23.06	-19.10																
QUOTE PROGETTO						21.63	21.63	21.13	21.13	21.63		19.55	20.36	19.65		19.55				
DIST. PROGRESSIVE PROGETTO						-1.41	-9.91	-9.41	-8.91	-8.41	-5.70	-1.58	0.00	1.92		5.37				
DISTANZA BINARI													0.00			3.85				

AREA	
Scavo:	25.08
Rilevato:	3.30
SubBallast:	0.84
Ballast:	3.47
Inerbimento:	0.00
SuperCompattato:	2.09
Stradello:	0.00

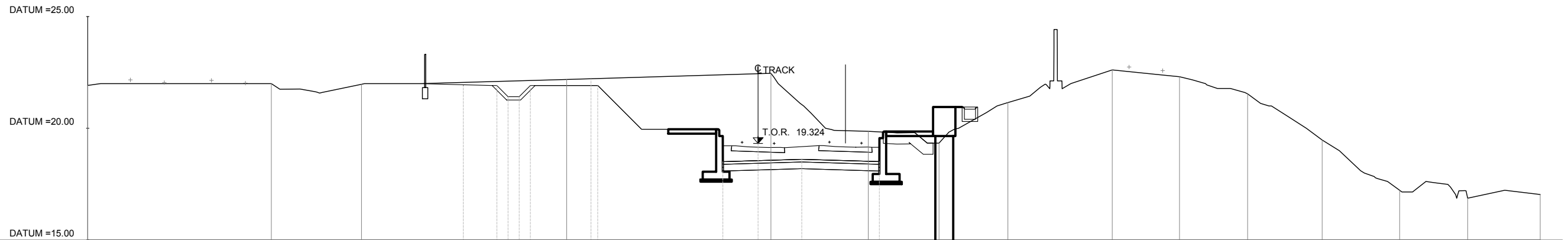
PROG 00+380.00
SEZ. TR01_8



QUOTE TERRENO	19.50	20.01	21.58	21.88	22.15	22.28	21.61	20.20	19.33	21.34	22.00	22.15	21.53	20.00	17.57	16.98	17.15
DIST. PROGRESSIVE TERRENO	-30.00	-26.01	-15.71	-10.27	-5.83	-2.10	1.43	4.63	7.91	11.34	14.38	17.40	20.64	24.19	27.33	30.38	35.00
QUOTE PROGETTO				21.70	21.70	21.20	21.70	22.12	21.70	19.29	20.10	19.39	19.29				
DIST.PROGRESSIVE PROGETTO				-12.20	-10.70	-10.20	-9.70	-9.20	-6.49	-6.07	-1.58	-0.00	1.93	5.39			
DISTANZA BINARI									-0.00	3.87							

AREA	
Scavo:	34.52
Rilevato:	1.56
SubBallast:	0.84
Ballast:	3.28
Inerbimento:	0.00
SuperCompattato:	2.10
Stradello:	0.00
Scotico:	1.20

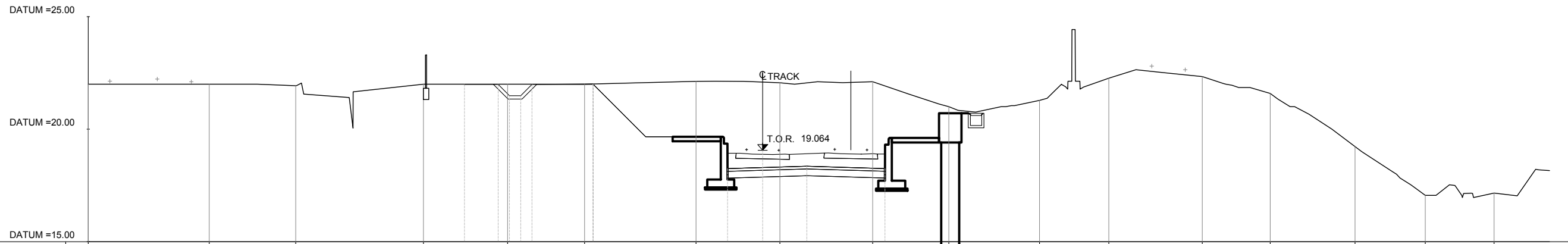
PROG 00+440.00
SEZ. TR01_11



QUOTE TERRENO	21.92	22.00	21.97	22.19	22.46	19.87	19.34	21.15	22.62	22.31	21.54	19.48	17.23	16.87	17.04
DIST. PROGRESSIVE TERRENO	-30.00	-21.78	-17.75	-8.56	0.57	4.93	8.10	11.18	15.85	18.86	21.91	25.24	28.71	31.75	35.00
QUOTE PROGETTO				21.92	21.92	21.92	21.92	18.51	19.32	18.61	18.51				
DIST. PROGRESSIVE PROGETTO				-13.19	-11.69	-11.19	-10.69	-10.19	-7.48	-1.58	0.00	1.96	5.43		
DISTANZA BINARI								0.00	3.91						

AREA	
Scavo:	46.69
Rilevato:	0.00
SubBallast:	0.84
Ballast:	3.21
Inerbimento:	0.00
SuperCompattato:	2.10
Stradello:	0.00
Scotico:	0.00

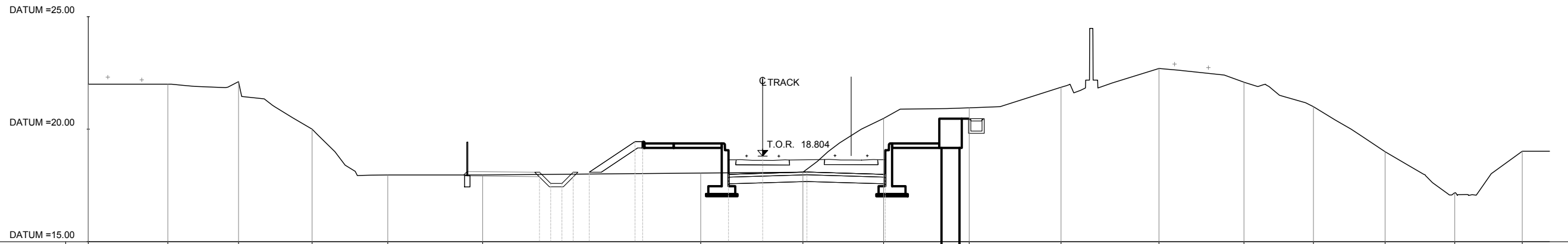
PROG 00+460.00
SEZ. TR01_12



QUOTE TERRENO	22.00	22.00	21.93	22.00	22.00	22.00	22.13	22.06	22.11	21.00	21.28	22.27	22.34	21.59	19.23	17.06	17.16
DIST. PROGRESSIVE TERRENO	-30.00	-24.62	-20.77	-15.09	-11.35	-7.92	-2.97	0.77	4.89	8.28	12.32	15.39	19.55	22.57	26.35	29.47	32.53
QUOTE PROGETTO				21.99	21.99	21.99	21.99	18.25	19.06	18.35	18.25						
DIST.PROGRESSIVE PROGETTO				-13.26	-11.76	-11.26	-10.76	-7.55	-1.56	0.00	1.96	5.44					
DISTANZA BINARI									0.00	3.92							

AREA	
Scavo:	12.60
Rilevato:	9.36
SubBallast:	0.84
Ballast:	3.11
Inerbimento:	0.74
SuperCompattato:	2.09
Stradello:	0.62

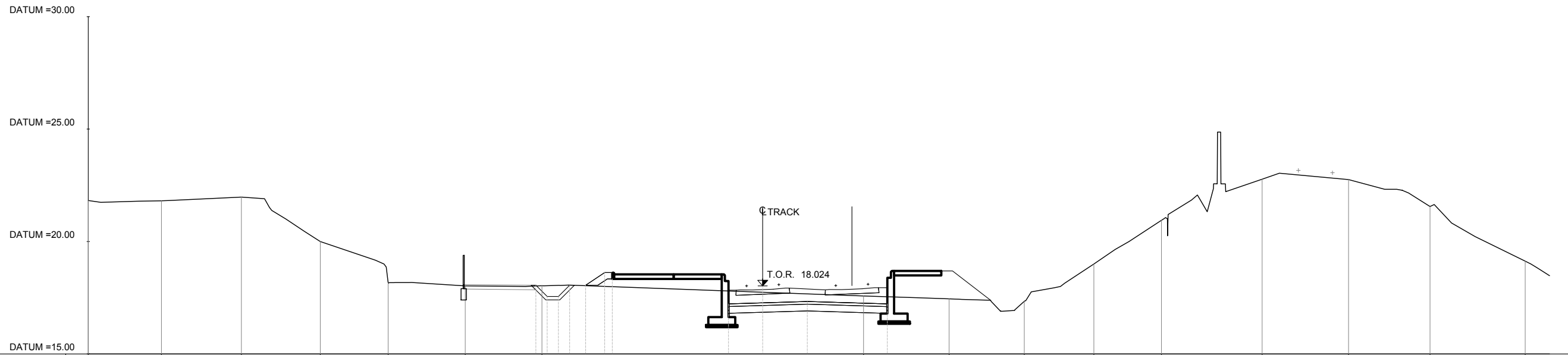
PROG 00+480.00
SEZ. TR01_13



QUOTE TERRENO	22.00	22.00	22.12	20.00	17.96	17.96			18.05	18.09	20.48	20.95	21.86	22.70	22.09	21.00	19.00	17.18	19.02
DIST. PROGRESSIVE TERRENO	-30.00	-26.46	-23.31	-20.04	-16.68	-12.46			-2.76	1.79	5.38	9.18	13.27	17.63	21.41	24.50	27.68	30.78	33.79
QUOTE PROGETTO									18.09	17.99	18.80	18.09	17.99						
DIST.PROGRESSIVE PROGETTO									-9.93	-9.43	-8.93	-8.43	-7.72	-5.68	-1.52	0.00	1.97	5.45	
DISTANZA BINARI											0.00	3.93							

AREA	
Scavo:	6.98
Rilevato:	13.32
SubBallast:	0.85
Ballast:	3.25
Inerbimento:	0.31
SuperCompattato:	2.12
Stradello:	0.62

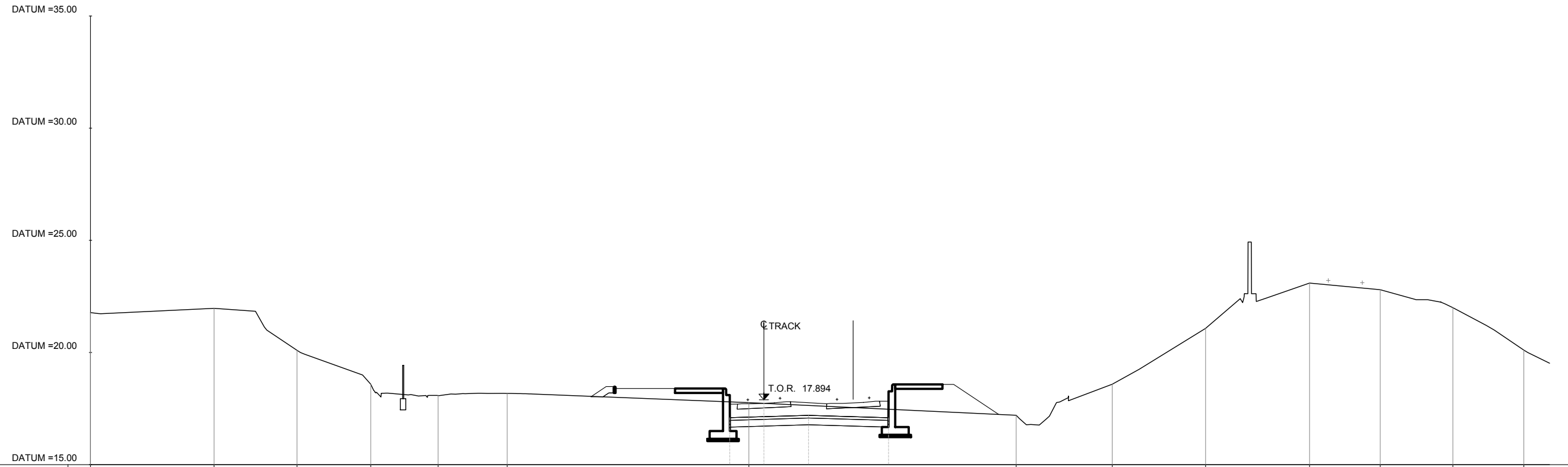
PROG 00+540.00
SEZ. TR01_16



QUOTE TERRENO	21.82	21.81	21.97	20.00	18.17	18.03	18.03	17.58	17.45	17.34	19.00	20.94	22.77	22.75	21.56	19.13
DIST. PROGRESSIVE TERRENO	-30.00	-26.74	-23.19	-19.68	-16.66	-13.23	-9.82	4.49	8.29	11.64	14.73	17.74	22.22	26.06	29.68	33.91
QUOTE PROGETTO							18.05 17.55 17.55 18.05	17.23	18.02	17.33	17.22					
DIST.PROGRESSIVE PROGETTO							-10.09 -9.59 -9.09 -8.59	-7.88	-7.03 -6.69	-1.52	0.00	1.98	5.55			
DISTANZA BINARI									0.00	3.97						

AREA	
Scavo:	6.45
Rilevato:	12.00
SubBallast:	0.85
Ballast:	3.29
Inerbimento:	0.00
SuperCompattato:	2.12
Stradello:	0.00

PROG 00+550.00
SEZ. TR01_17



QUOTE TERRENO	21.78	21.97	20.10	18.59	18.08	18.18	17.77	17.20	18.59	21.08	23.09	22.80	22.00	20.11
DIST. PROGRESSIVE TERRENO	-30.00	-24.50	-20.80	-17.51	-14.51	-11.44	-0.67	11.24	15.52	19.68	24.31	27.46	30.69	33.85
QUOTE PROGETTO							17.10	17.89	17.20	17.09				
DIST.PROGRESSIVE PROGETTO							-1.52	0.00	1.99	5.55				
DISTANZA BINARI							0.00		3.97					