

COMMITTENTE:



ALTA SORVEGLIANZA:



GENERAL CONTRACTOR:



INFRASTRUTTURE FERROVIARIE STRATEGICHE DEFINITE DALLA LEGGE OBIETTIVO N. 443/01

LINEA A.V. /A.C. TORINO – VENEZIA Tratta MILANO – VERONA
Lotto funzionale Brescia-Verona

PROGETTO ESECUTIVO

GALLERIA NATURALE LONATO IMBOCCO LATO MILANO (GI03)

PK 115+990.00

Relazione di calcolo opere provvisionali – allegati numerici

GENERAL CONTRACTOR	DIRETTORE LAVORI
Consorzio Cepav due Consorzio Cepav due Il Direttore del Consorzio (Ing. T. Taranta) Data: <u>5 OTT 2018</u>	Valido per costruzione Data: _____

COMMESSA	LOTTO	FASE	ENTE	TIPO DOC	OPERA/DISCIPLINA	PROGR	REV
I N O R	1 1	E	E 2	C L	G I 0 3 0 0	0 0 2	A

PROGETTAZIONE						IL PROGETTISTA	
Rev.	Descrizione	Redatto	Data	Verificato	Data		
A	Emissione	<u>LUCIA</u>	31/08/18	<u>MERLINI</u>	31/08/18		
B							
C							

CIG. 751447334A File: INOR11EE2CLGI0300002A.doc



Progetto cofinanziato dalla Unione Europea

Stampato dal Service di plottaggio ITALFERR S.p.A. ALBA s.r.l.

CUP: F81H91000000008

TRATTA A



Report di Calcolo

Nome Progetto: New Project

Autore: Ingegnere

Jobname: N:\P-CH Lomazzo\02-Mandati\02014 - Gallerie CEPAV2\300_Progetto\308_Progetto esecutivo_MA\04_Calcolo\LONATO\02-Paratie\Imb_MI\01_Imbocco\Tratta A_V06.pplus

Data: 23/08/2018 12:14:05

Design Section: Base Design Section

Sommario

Contenuto Sommario

Descrizione del Software

ParatiePlus è un codice agli elementi finiti che simula il problema di uno scavo sostenuto da diaframmi flessibili e permette di valutare il comportamento della parete di sostegno durante tutte le fasi intermedie e nella configurazione finale.

Descrizione della Stratigrafia e degli Strati di Terreno

Tipo : HORIZONTAL
Quota : 0 m
OCR : 1

Tipo : HORIZONTAL
Quota : -5 m
OCR : 1

Tipo : HORIZONTAL
Quota : -10 m
OCR : 1

Tipo : HORIZONTAL
Quota : -15 m
OCR : 1

Tipo : HORIZONTAL
Quota : -20 m
OCR : 1

Descrizione Pareti

X : 0 m

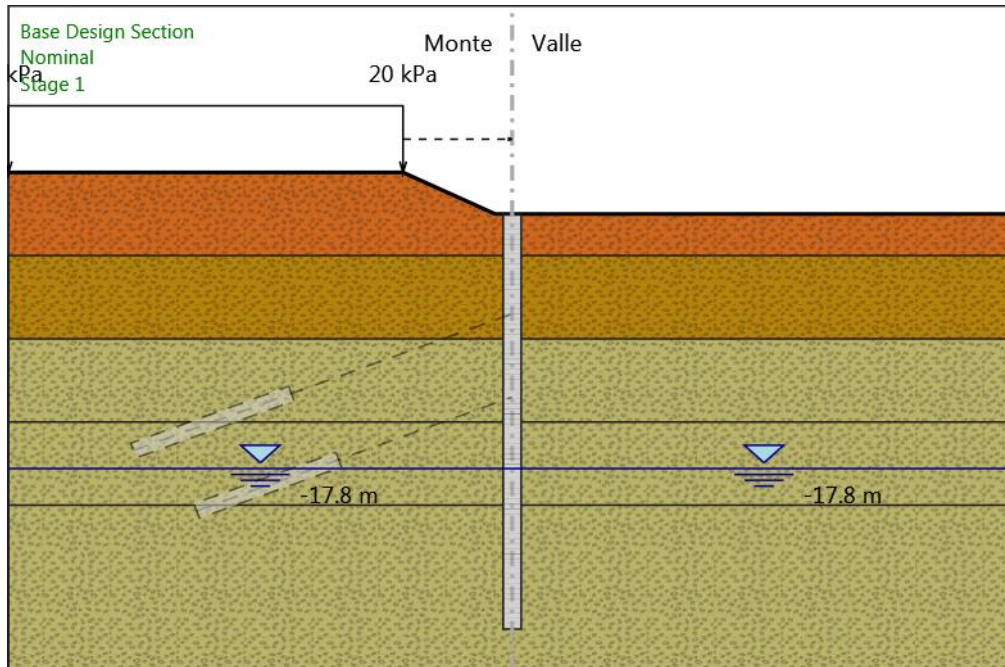
Quota in alto : -2.5 m

Quota di fondo : -27.5 m

Muro di sinistra

Fasi di Calcolo

Stage 1



Stage 1

Elementi strutturali

Paratia : WallElement

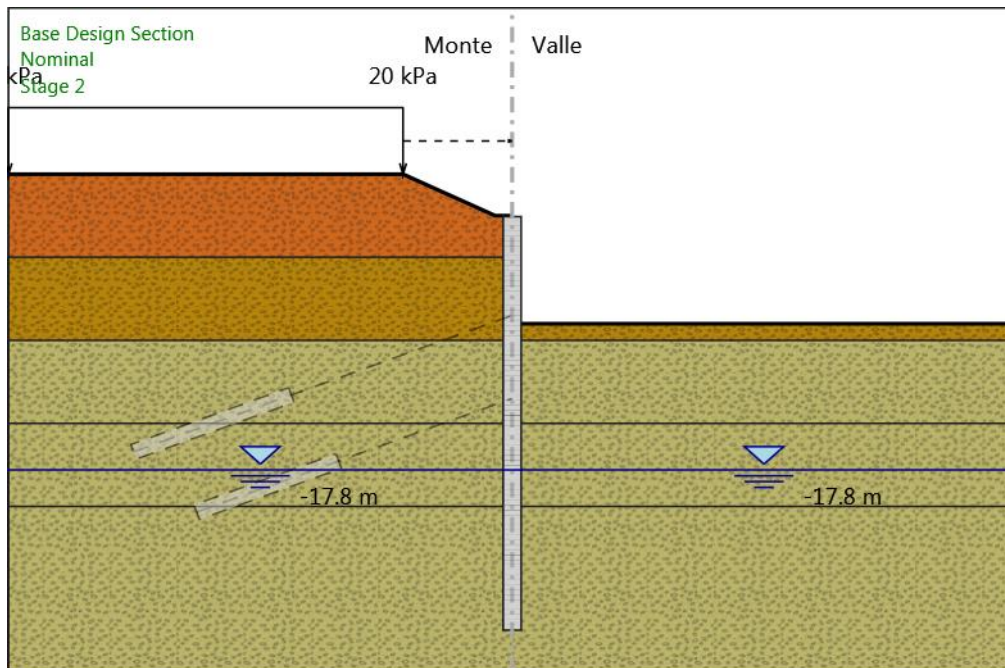
X : 0 m

Quota in alto : -2.5 m

Quota di fondo : -27.5 m

Sezione : Default Section

Stage 2



Stage 2

Elementi strutturali

Paratia : WallElement

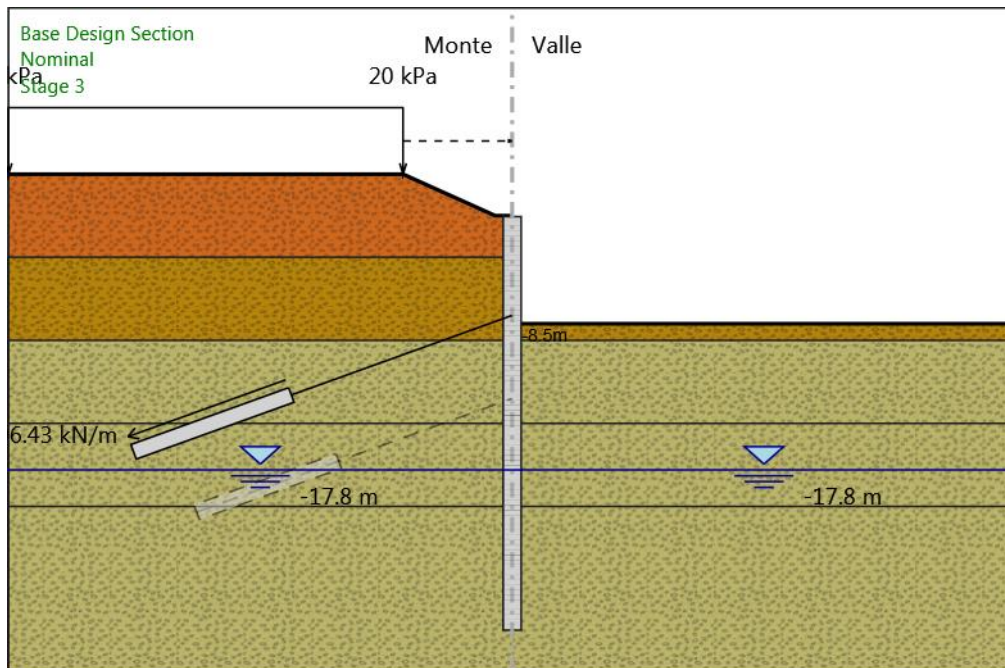
X : 0 m

Quota in alto : -2.5 m

Quota di fondo : -27.5 m

Sezione : Default Section

Stage 3



Stage 3

Elementi strutturali

Paratia : WallElement

X : 0 m

Quota in alto : -2.5 m

Quota di fondo : -27.5 m

Sezione : Default Section

Tirante : Tieback

X : 0 m

Z : -8.5 m

Lunghezza bulbo : 10 m

Diametro bulbo : 0.18 m

Lunghezza libera : 14 m

Spaziatura orizzontale : 2.8 m

Precarico : 550 kN

Angolo : 20 °

Sezione : 6 trefoli

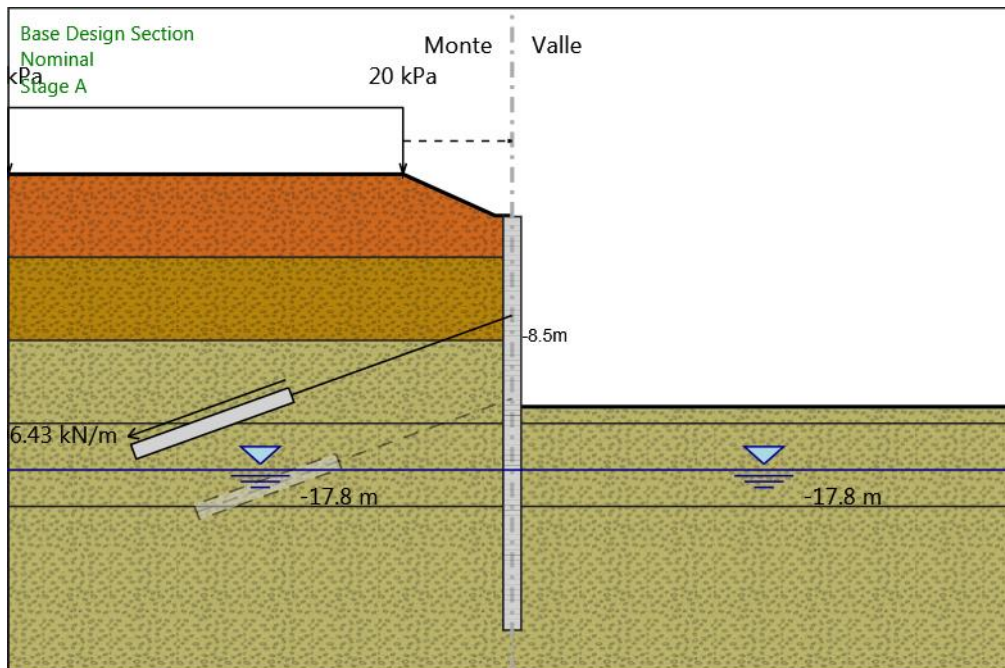
Tipo di barre : Barre trefoli

Numero di barre : 6

Diametro : 0.01331 m

Area : 0.000834 m²

Stage A



Stage A

Elementi strutturali

Paratia : WallElement

X : 0 m

Quota in alto : -2.5 m

Quota di fondo : -27.5 m

Sezione : Default Section

Tirante : Tieback

X : 0 m

Z : -8.5 m

Lunghezza bulbo : 10 m

Diametro bulbo : 0.18 m

Lunghezza libera : 14 m

Spaziatura orizzontale : 2.8 m

Precarico : 550 kN

Angolo : 20 °

Sezione : 6 trefoli

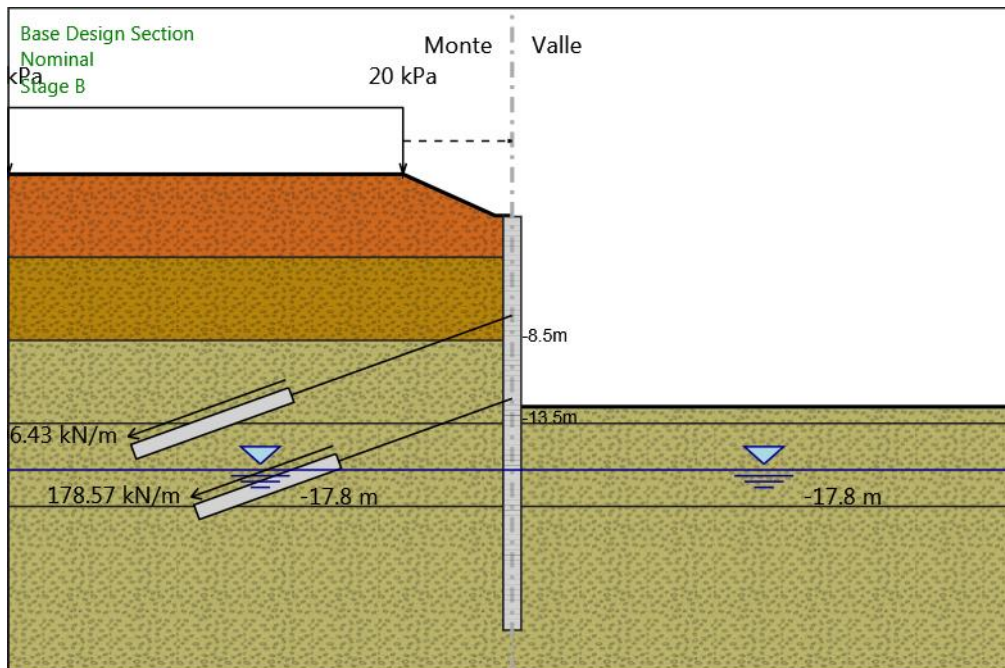
Tipo di barre : Barre trefoli

Numero di barre : 6

Diametro : 0.01331 m

Area : 0.000834 m²

Stage B



Stage B

Elementi strutturali

Paratia : WallElement

X : 0 m

Quota in alto : -2.5 m

Quota di fondo : -27.5 m

Sezione : Default Section

Tirante : Tieback

X : 0 m

Z : -8.5 m

Lunghezza bulbo : 10 m

Diametro bulbo : 0.18 m

Lunghezza libera : 14 m

Spaziatura orizzontale : 2.8 m

Precarico : 550 kN

Angolo : 20 °

Sezione : 6 trefoli

Tipo di barre : Barre trefoli

Numero di barre : 6

Diametro : 0.01331 m

Area : 0.000834 m²

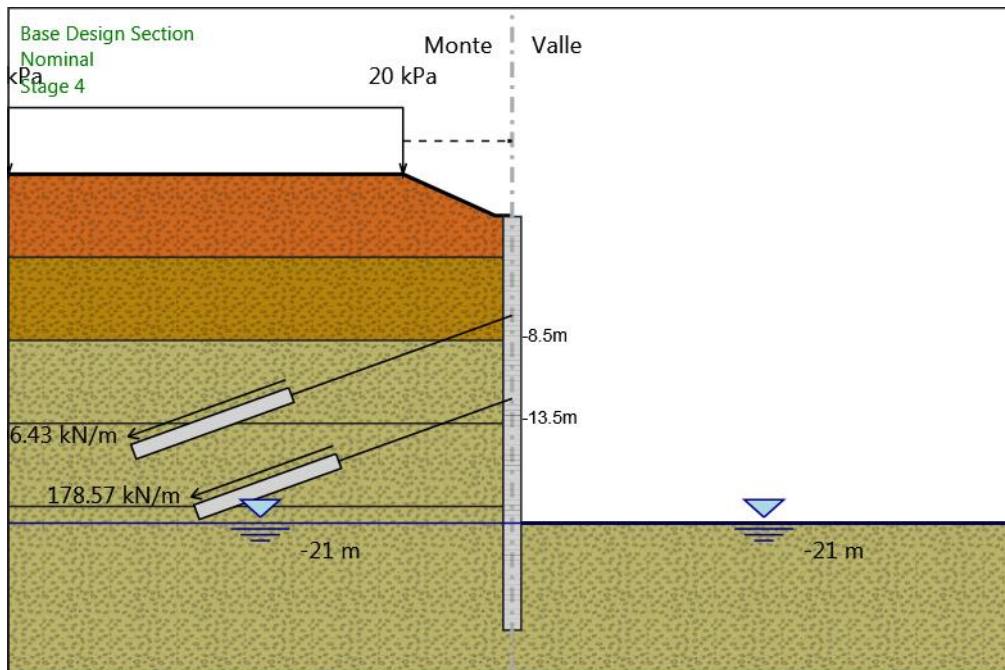
Tirante : Tieback_New

X : 0 m

Z : -13.5 m

Lunghezza bulbo : 9 m
Diametro bulbo : 0.18 m
Lunghezza libera : 11 m
Spaziatura orizzontale : 2.8 m
Precarico : 500 kN
Angolo : 20 °
Sezione : 5 trefoli
Area : 0.000695 m²

Stage 4



Stage 4

Elementi strutturali

Paratia : WallElement

X : 0 m

Quota in alto : -2.5 m

Quota di fondo : -27.5 m

Sezione : Default Section

Tirante : Tieback

X : 0 m

Z : -8.5 m

Lunghezza bulbo : 10 m

Diametro bulbo : 0.18 m

Lunghezza libera : 14 m

Spaziatura orizzontale : 2.8 m

Precarico : 550 kN

Angolo : 20 °

Sezione : 6 trefoli

Tipo di barre : Barre trefoli

Numero di barre : 6

Diametro : 0.01331 m

Area : 0.000834 m²

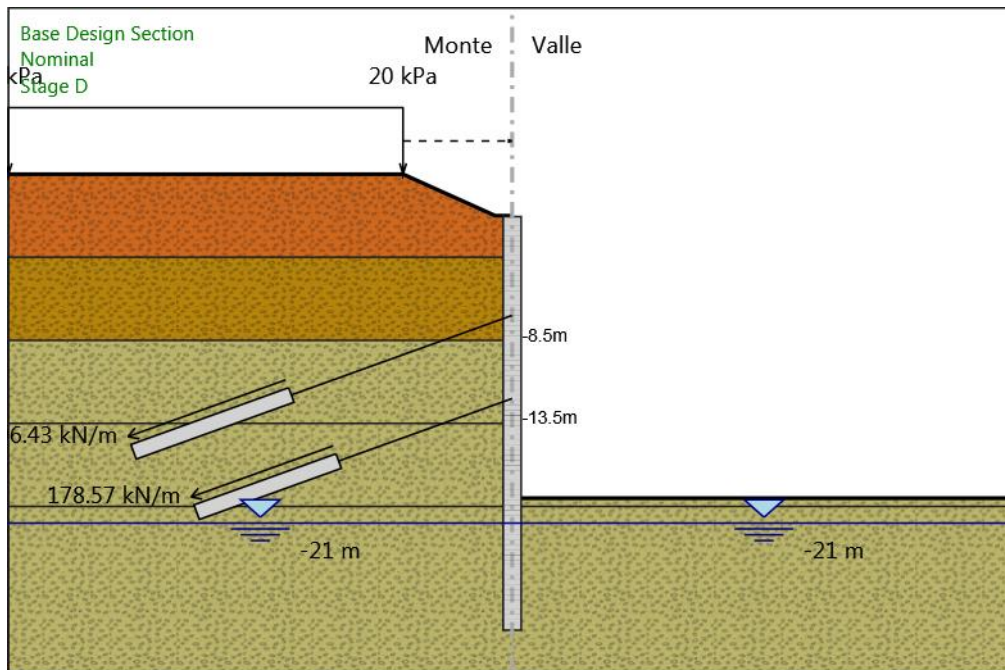
Tirante : Tieback_New

X : 0 m

Z : -13.5 m

Lunghezza bulbo : 9 m
Diametro bulbo : 0.18 m
Lunghezza libera : 11 m
Spaziatura orizzontale : 2.8 m
Precarico : 500 kN
Angolo : 20 °
Sezione : 5 trefoli
Area : 0.000695 m²

Stage D



Stage D

Elementi strutturali

Paratia : WallElement

X : 0 m

Quota in alto : -2.5 m

Quota di fondo : -27.5 m

Sezione : Default Section

Tirante : Tieback

X : 0 m

Z : -8.5 m

Lunghezza bulbo : 10 m

Diametro bulbo : 0.18 m

Lunghezza libera : 14 m

Spaziatura orizzontale : 2.8 m

Precarico : 550 kN

Angolo : 20 °

Sezione : 6 trefoli

Tipo di barre : Barre trefoli

Numero di barre : 6

Diametro : 0.01331 m

Area : 0.000834 m²

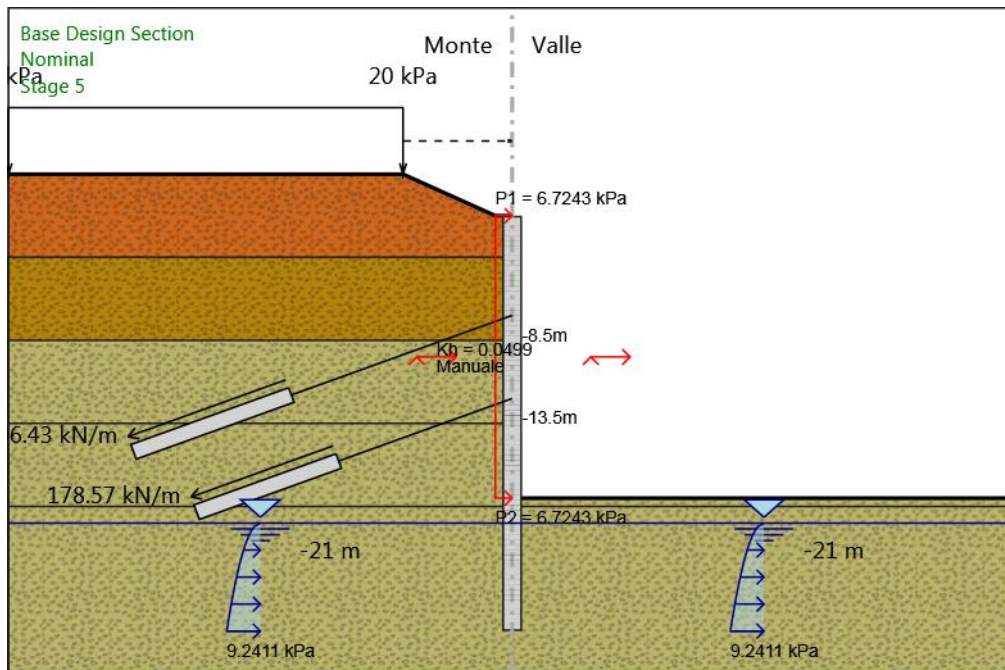
Tirante : Tieback_New

X : 0 m

Z : -13.5 m

Lunghezza bulbo : 9 m
Diametro bulbo : 0.18 m
Lunghezza libera : 11 m
Spaziatura orizzontale : 2.8 m
Precarico : 500 kN
Angolo : 20 °
Sezione : 5 trefoli
Area : 0.000695 m²

Stage 5



Stage 5

Elementi strutturali

Paratia : WallElement

X : 0 m

Quota in alto : -2.5 m

Quota di fondo : -27.5 m

Sezione : Default Section

Tirante : Tieback

X : 0 m

Z : -8.5 m

Lunghezza bulbo : 10 m

Diametro bulbo : 0.18 m

Lunghezza libera : 14 m

Spaziatura orizzontale : 2.8 m

Precarico : 550 kN

Angolo : 20 °

Sezione : 6 trefoli

Tipo di barre : Barre trefoli

Numero di barre : 6

Diametro : 0.01331 m

Area : 0.000834 m²

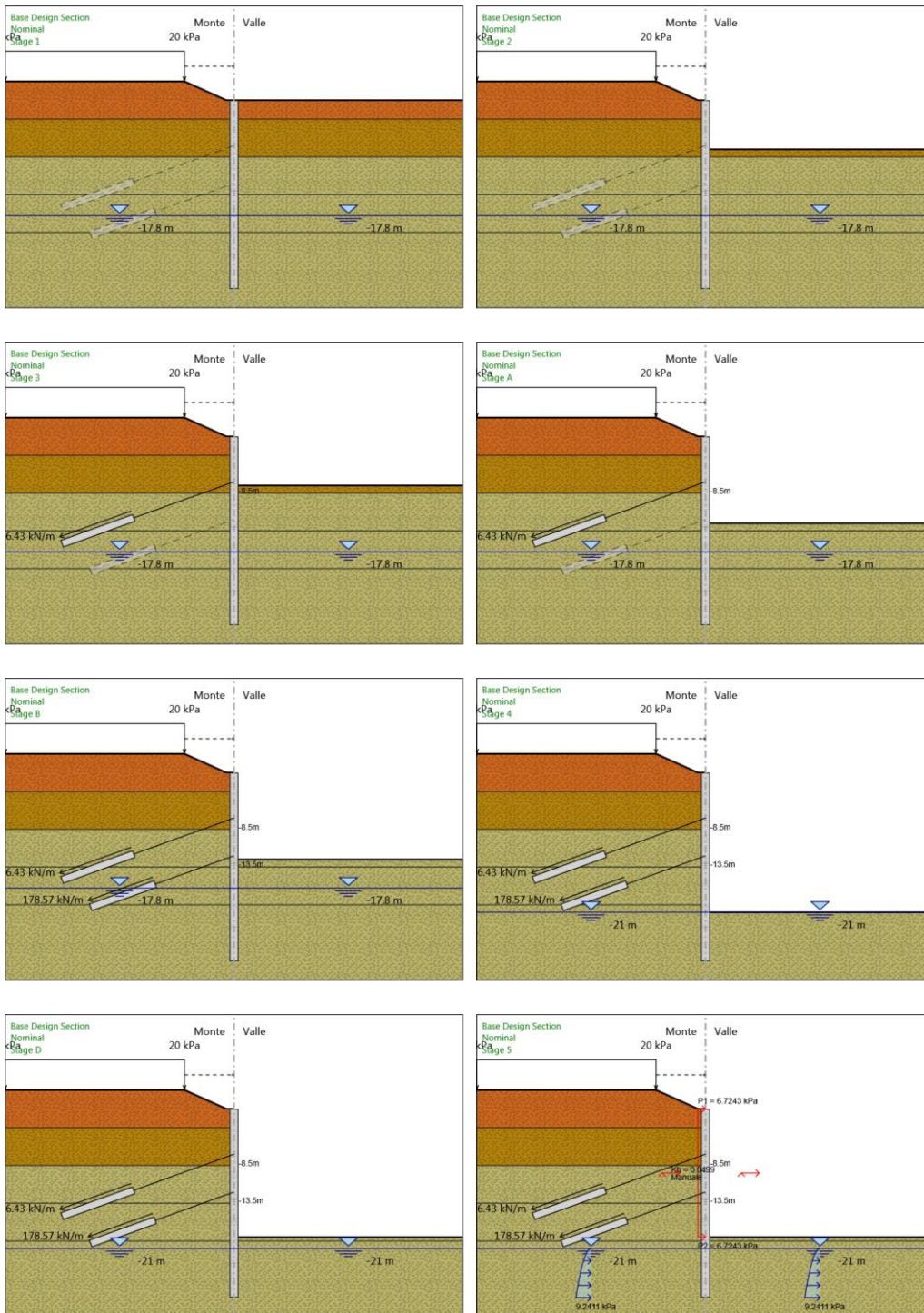
Tirante : Tieback_New

X : 0 m

Z : -13.5 m

Lunghezza bulbo : 9 m
Diametro bulbo : 0.18 m
Lunghezza libera : 11 m
Spaziatura orizzontale : 2.8 m
Precarico : 500 kN
Angolo : 20 °
Sezione : 5 trefoli
Area : 0.000695 m²

Tabella Configurazione Stage (Nominal)



Descrizione Coefficienti Design Assumption

Coefficienti A

Nome	Carichi Per- manenti Sfa- vorevoli (F_dead_load _unfavour)	Carichi Permanenti Favorevoli (F_dead_loa d_favour)	Carichi Va- riabili Sfa- vorevoli (F_live_load _unfavour)	Carichi Variabili Favorevoli (F_live_loa d_favour)	Carico Sismico (F_seis m_load)	Pres- sioni Monte (F_Wa terDR)	Pres- sioni Valle (F_Wat erRes)	Carichi Perma- nenti Destabi- lizzanti (F_UPL_ GDStab)	Carichi Perma- nenti Stabiliz- zanti (F_UPL_ GDStab)	Carichi Variabili Destabi- lizzanti (F_UPL_ QDStab)	Carichi Perma- nenti Destabi- lizzanti (F_HYD_ GDStab)	Carichi Perma- nenti Stabiliz- zanti (F_HYD_ GDStab)	Carichi Variabili Destabi- lizzanti (F_HYD_ QDStab)
Simbolo	γ_G	γ_G	γ_Q	γ_Q	γ_{QE}	γ_G	γ_G	γ_{Gdst}	γ_{Gstb}	γ_{Qdst}	γ_{Gdst}	γ_{Gstb}	γ_{Qdst}
Nominal	1	1	1	1	1	1	1	1	1	1	1	1	1
SLE (Rara/ Frequente/ Quasi Permanente)	1	1	1	1	0	1	1	1	1	1	1	1	1
A1+M1+R1 (R3 per tiranti)	1.3	1	1.5	1	0	1.3	1	1	1	1	1.3	0.9	1
A2+M2+R1	1	1	1.3	1	0	1	1	1	1	1	1.3	0.9	1
SISMICA STR	1	1	1	1	1	1	1	1	1	1	1	1	1
SISMICA GEO	1	1	1	1	1	1	1	1	1	1	1.3	0.9	1

Coefficienti M

Nome	Parziale su tan(ϕ') (F_Fr)	Parziale su c' (F_eff_cohe)	Parziale su Su (F_Su)	Parziale su qu (F_qu)	Parziale su peso specifico (F_gamma)
Simbolo	γ_ϕ	γ_c	γ_{cu}	γ_{qu}	γ_γ
Nominal	1	1	1	1	1
SLE (Rara/ Frequente/ Quasi Permanente)	1	1	1	1	1
A1+M1+R1 (R3 per tiranti)	1	1	1	1	1
A2+M2+R1	1.25	1.25	1.4	1	1
SISMICA STR	1	1	1	1	1
SISMICA GEO	1.25	1.25	1.4	1	1

Coefficienti R

Nome	Parziale resistenza terreno (es. Kp) (F_Soil_Res_walls)	Parziale resistenza Tiranti permanenti (F_Anch_P)	Parziale resistenza Tiranti temporanei (F_Anch_T)	Parziale elementi strutturali (F_wall)
Simbolo	γ_{Re}	γ_{ap}	γ_{at}	
Nominal	1	1	1	1
SLE (Rara/ Frequente/ Quasi Permanente)	1	1	1	1
A1+M1+R1 (R3 per tiranti)	1	1.2	1.1	1
A2+M2+R1	1	1.2	1.1	1
SISMICA STR	1	1.2	1.1	1
SISMICA GEO	1	1.2	1.1	1

Risultati SLE (Rara/Frequente/Quasi Permanente)

Tabella Spostamento SLE (Rara/Frequente/Quasi Permanente) - LEFT Stage: Stage 1

Design Assumption: SLE (Rara/Frequente/Quasi Permanente) Tipo Risultato: Spostamento			Muro: LEFT
Stage	Z (m)	Spostamento (mm)	
Stage 1	-2.5	0	
Stage 1	-2.7	0	
Stage 1	-2.9	0	
Stage 1	-3.1	0	
Stage 1	-3.3	0	
Stage 1	-3.5	0	
Stage 1	-3.7	0	
Stage 1	-3.9	0	
Stage 1	-4.1	0	
Stage 1	-4.3	0	
Stage 1	-4.5	0	
Stage 1	-4.7	0	
Stage 1	-4.9	0	
Stage 1	-5.1	0	
Stage 1	-5.3	0	
Stage 1	-5.5	0	
Stage 1	-5.7	0	
Stage 1	-5.9	0	
Stage 1	-6.1	0	
Stage 1	-6.3	0	
Stage 1	-6.5	0	
Stage 1	-6.7	0	
Stage 1	-6.9	0	
Stage 1	-7.1	0	
Stage 1	-7.3	0	
Stage 1	-7.5	0	
Stage 1	-7.7	0	
Stage 1	-7.9	0	
Stage 1	-8.1	0	
Stage 1	-8.3	0	
Stage 1	-8.5	0	
Stage 1	-8.7	0	
Stage 1	-8.9	0	
Stage 1	-9.1	0	
Stage 1	-9.3	0	
Stage 1	-9.5	0	
Stage 1	-9.7	0	
Stage 1	-9.9	0	
Stage 1	-10.1	0	
Stage 1	-10.3	0	
Stage 1	-10.5	0	
Stage 1	-10.7	0	
Stage 1	-10.9	0	
Stage 1	-11.1	0	
Stage 1	-11.3	0	
Stage 1	-11.5	0	
Stage 1	-11.7	0	
Stage 1	-11.9	0	
Stage 1	-12.1	0	
Stage 1	-12.3	0	
Stage 1	-12.5	0	
Stage 1	-12.7	0	
Stage 1	-12.9	0	
Stage 1	-13.1	0	
Stage 1	-13.3	0	
Stage 1	-13.5	0	
Stage 1	-13.7	0	
Stage 1	-13.9	0	
Stage 1	-14.1	0	
Stage 1	-14.3	0	
Stage 1	-14.5	0	
Stage 1	-14.7	0	
Stage 1	-14.9	0	
Stage 1	-15.1	0	

Design Assumption: SLE (Rara/Frequente/Quasi Permanente) Tipo Risultato: Spostamento			Muro: LEFT
Stage	Z (m)	Spostamento (mm)	
Stage 1	-15.3	0	
Stage 1	-15.5	0	
Stage 1	-15.7	0	
Stage 1	-15.9	0	
Stage 1	-16.1	0	
Stage 1	-16.3	0	
Stage 1	-16.5	0	
Stage 1	-16.7	0	
Stage 1	-16.9	0	
Stage 1	-17.1	0	
Stage 1	-17.3	0	
Stage 1	-17.5	0	
Stage 1	-17.7	0	
Stage 1	-17.9	0	
Stage 1	-18.1	0	
Stage 1	-18.3	0	
Stage 1	-18.5	0	
Stage 1	-18.7	0	
Stage 1	-18.9	0	
Stage 1	-19.1	0	
Stage 1	-19.3	0	
Stage 1	-19.5	0	
Stage 1	-19.7	0	
Stage 1	-19.9	0	
Stage 1	-20.1	0	
Stage 1	-20.3	0	
Stage 1	-20.5	0	
Stage 1	-20.7	0	
Stage 1	-20.9	0	
Stage 1	-21.1	0	
Stage 1	-21.3	0	
Stage 1	-21.5	0	
Stage 1	-21.7	0	
Stage 1	-21.9	0	
Stage 1	-22.1	0	
Stage 1	-22.3	0	
Stage 1	-22.5	0	
Stage 1	-22.7	0	
Stage 1	-22.9	0	
Stage 1	-23.1	0	
Stage 1	-23.3	0	
Stage 1	-23.5	0	
Stage 1	-23.7	0	
Stage 1	-23.9	0	
Stage 1	-24.1	0	
Stage 1	-24.3	0	
Stage 1	-24.5	0	
Stage 1	-24.7	0	
Stage 1	-24.9	0	
Stage 1	-25.1	0	
Stage 1	-25.3	0	
Stage 1	-25.5	0	
Stage 1	-25.7	0	
Stage 1	-25.9	0	
Stage 1	-26.1	0	
Stage 1	-26.3	0	
Stage 1	-26.5	0	
Stage 1	-26.7	0	
Stage 1	-26.9	0	
Stage 1	-27.1	0	
Stage 1	-27.3	0	
Stage 1	-27.5	0	

Tabella Risultati Paratia SLE (Rara/Frequente/Quasi Permanente) - Left Wall - Stage: Stage 1

Design Assumption: SLE (Rara/Frequente/Quasi Permanente) Risultati Paratia		Muro: LEFT	
Stage	Z (m)	Momento (kN*m/m)	Taglio (kN/m)
Stage 1	-2.5	0	0
Stage 1	-2.7	0	0
Stage 1	-2.9	0	0
Stage 1	-3.1	0	0
Stage 1	-3.3	0	0
Stage 1	-3.5	0	0
Stage 1	-3.7	0	0
Stage 1	-3.9	0	0
Stage 1	-4.1	0	0
Stage 1	-4.3	0	0
Stage 1	-4.5	0	0
Stage 1	-4.7	0	0
Stage 1	-4.9	0	0
Stage 1	-5.1	0	0
Stage 1	-5.3	0	0
Stage 1	-5.5	0	0
Stage 1	-5.7	0	0
Stage 1	-5.9	0	0
Stage 1	-6.1	0	0
Stage 1	-6.3	0	0
Stage 1	-6.5	0	0
Stage 1	-6.7	0	0
Stage 1	-6.9	0	0
Stage 1	-7.1	0	0
Stage 1	-7.3	0	0
Stage 1	-7.5	0	0
Stage 1	-7.7	0	0
Stage 1	-7.9	0	0
Stage 1	-8.1	0	0
Stage 1	-8.3	0	0
Stage 1	-8.5	0	0
Stage 1	-8.7	0	0
Stage 1	-8.9	0	0
Stage 1	-9.1	0	0
Stage 1	-9.3	0	0
Stage 1	-9.5	0	0
Stage 1	-9.7	0	0
Stage 1	-9.9	0	0
Stage 1	-10.1	0	0
Stage 1	-10.3	0	0
Stage 1	-10.5	0	0
Stage 1	-10.7	0	0
Stage 1	-10.9	0	0
Stage 1	-11.1	0	0
Stage 1	-11.3	0	0
Stage 1	-11.5	0	0
Stage 1	-11.7	0	0
Stage 1	-11.9	0	0
Stage 1	-12.1	0	0
Stage 1	-12.3	0	0
Stage 1	-12.5	0	0
Stage 1	-12.7	0	0
Stage 1	-12.9	0	0
Stage 1	-13.1	0	0
Stage 1	-13.3	0	0
Stage 1	-13.5	0	0
Stage 1	-13.7	0	0
Stage 1	-13.9	0	0
Stage 1	-14.1	0	0
Stage 1	-14.3	0	0
Stage 1	-14.5	0	0
Stage 1	-14.7	0	0
Stage 1	-14.9	0	0
Stage 1	-15.1	0	0
Stage 1	-15.3	0	0
Stage 1	-15.5	0	0
Stage 1	-15.7	0	0

Design Assumption: SLE (Rara/Frequente/Quasi Permanente) Risultati Paratia		Muro: LEFT	
Stage	Z (m)	Momento (kN*m/m)	Taglio (kN/m)
Stage 1	-15.9	0	0
Stage 1	-16.1	0	0
Stage 1	-16.3	0	0
Stage 1	-16.5	0	0
Stage 1	-16.7	0	0
Stage 1	-16.9	0	0
Stage 1	-17.1	0	0
Stage 1	-17.3	0	0
Stage 1	-17.5	0	0
Stage 1	-17.7	0	0
Stage 1	-17.9	0	0
Stage 1	-18.1	0	0
Stage 1	-18.3	0	0
Stage 1	-18.5	0	0
Stage 1	-18.7	0	0
Stage 1	-18.9	0	0
Stage 1	-19.1	0	0
Stage 1	-19.3	0	0
Stage 1	-19.5	0	0
Stage 1	-19.7	0	0
Stage 1	-19.9	0	0
Stage 1	-20.1	0	0
Stage 1	-20.3	0	0
Stage 1	-20.5	0	0
Stage 1	-20.7	0	0
Stage 1	-20.9	0	0
Stage 1	-21.1	0	0
Stage 1	-21.3	0	0
Stage 1	-21.5	0	0
Stage 1	-21.7	0	0
Stage 1	-21.9	0	0
Stage 1	-22.1	0	0
Stage 1	-22.3	0	0
Stage 1	-22.5	0	0
Stage 1	-22.7	0	0
Stage 1	-22.9	0	0
Stage 1	-23.1	0	0
Stage 1	-23.3	0	0
Stage 1	-23.5	0	0
Stage 1	-23.7	0	0
Stage 1	-23.9	0	0
Stage 1	-24.1	0	0
Stage 1	-24.3	0	0
Stage 1	-24.5	0	0
Stage 1	-24.7	0	0
Stage 1	-24.9	0	0
Stage 1	-25.1	0	0
Stage 1	-25.3	0	0
Stage 1	-25.5	0	0
Stage 1	-25.7	0	0
Stage 1	-25.9	0	0
Stage 1	-26.1	0	0
Stage 1	-26.3	0	0
Stage 1	-26.5	0	0
Stage 1	-26.7	0	0
Stage 1	-26.9	0	0
Stage 1	-27.1	0	0
Stage 1	-27.3	0	0
Stage 1	-27.5	0	0

Tabella Spostamento SLE (Rara/Frequente/Quasi Permanente) - LEFT Stage: Stage 2

Design Assumption: SLE (Rara/Frequente/Quasi Permanente) Tipo Risultato: Spostamento	Muro: LEFT	
Stage	Z (m)	Spostamento (mm)
Stage 2	-2.5	3.51
Stage 2	-2.7	3.42
Stage 2	-2.9	3.33
Stage 2	-3.1	3.23
Stage 2	-3.3	3.14
Stage 2	-3.5	3.05
Stage 2	-3.7	2.95
Stage 2	-3.9	2.86
Stage 2	-4.1	2.77
Stage 2	-4.3	2.67
Stage 2	-4.5	2.58
Stage 2	-4.7	2.49
Stage 2	-4.9	2.39
Stage 2	-5.1	2.3
Stage 2	-5.3	2.21
Stage 2	-5.5	2.11
Stage 2	-5.7	2.02
Stage 2	-5.9	1.93
Stage 2	-6.1	1.84
Stage 2	-6.3	1.75
Stage 2	-6.5	1.66
Stage 2	-6.7	1.57
Stage 2	-6.9	1.48
Stage 2	-7.1	1.39
Stage 2	-7.3	1.3
Stage 2	-7.5	1.22
Stage 2	-7.7	1.13
Stage 2	-7.9	1.05
Stage 2	-8.1	0.97
Stage 2	-8.3	0.89
Stage 2	-8.5	0.82
Stage 2	-8.7	0.74
Stage 2	-8.9	0.67
Stage 2	-9.1	0.6
Stage 2	-9.3	0.54
Stage 2	-9.5	0.48
Stage 2	-9.7	0.42
Stage 2	-9.9	0.37
Stage 2	-10.1	0.32
Stage 2	-10.3	0.28
Stage 2	-10.5	0.24
Stage 2	-10.7	0.2
Stage 2	-10.9	0.17
Stage 2	-11.1	0.15
Stage 2	-11.3	0.12
Stage 2	-11.5	0.1
Stage 2	-11.7	0.09
Stage 2	-11.9	0.07
Stage 2	-12.1	0.06
Stage 2	-12.3	0.06
Stage 2	-12.5	0.05
Stage 2	-12.7	0.05
Stage 2	-12.9	0.04
Stage 2	-13.1	0.04
Stage 2	-13.3	0.04
Stage 2	-13.5	0.04
Stage 2	-13.7	0.04
Stage 2	-13.9	0.04
Stage 2	-14.1	0.05
Stage 2	-14.3	0.05
Stage 2	-14.5	0.05
Stage 2	-14.7	0.05
Stage 2	-14.9	0.05
Stage 2	-15.1	0.06
Stage 2	-15.3	0.06
Stage 2	-15.5	0.06
Stage 2	-15.7	0.06

Design Assumption: SLE (Rara/Frequente/Quasi Permanente) Tipo Risultato: Spostamento			Muro: LEFT
Stage	Z (m)	Spostamento (mm)	
Stage 2	-15.9	0.06	
Stage 2	-16.1	0.07	
Stage 2	-16.3	0.07	
Stage 2	-16.5	0.07	
Stage 2	-16.7	0.07	
Stage 2	-16.9	0.07	
Stage 2	-17.1	0.07	
Stage 2	-17.3	0.07	
Stage 2	-17.5	0.07	
Stage 2	-17.7	0.07	
Stage 2	-17.9	0.07	
Stage 2	-18.1	0.07	
Stage 2	-18.3	0.08	
Stage 2	-18.5	0.08	
Stage 2	-18.7	0.08	
Stage 2	-18.9	0.08	
Stage 2	-19.1	0.08	
Stage 2	-19.3	0.08	
Stage 2	-19.5	0.08	
Stage 2	-19.7	0.08	
Stage 2	-19.9	0.08	
Stage 2	-20.1	0.08	
Stage 2	-20.3	0.09	
Stage 2	-20.5	0.09	
Stage 2	-20.7	0.09	
Stage 2	-20.9	0.09	
Stage 2	-21.1	0.09	
Stage 2	-21.3	0.09	
Stage 2	-21.5	0.09	
Stage 2	-21.7	0.09	
Stage 2	-21.9	0.09	
Stage 2	-22.1	0.09	
Stage 2	-22.3	0.1	
Stage 2	-22.5	0.1	
Stage 2	-22.7	0.1	
Stage 2	-22.9	0.1	
Stage 2	-23.1	0.1	
Stage 2	-23.3	0.1	
Stage 2	-23.5	0.1	
Stage 2	-23.7	0.1	
Stage 2	-23.9	0.1	
Stage 2	-24.1	0.1	
Stage 2	-24.3	0.1	
Stage 2	-24.5	0.1	
Stage 2	-24.7	0.1	
Stage 2	-24.9	0.1	
Stage 2	-25.1	0.1	
Stage 2	-25.3	0.1	
Stage 2	-25.5	0.1	
Stage 2	-25.7	0.1	
Stage 2	-25.9	0.1	
Stage 2	-26.1	0.1	
Stage 2	-26.3	0.1	
Stage 2	-26.5	0.1	
Stage 2	-26.7	0.1	
Stage 2	-26.9	0.1	
Stage 2	-27.1	0.1	
Stage 2	-27.3	0.1	
Stage 2	-27.5	0.1	

Tabella Risultati Paratia SLE (Rara/Frequente/Quasi Permanente) - Left Wall - Stage: Stage 2

Design Assumption: SLE (Rara/Frequente/Quasi Permanente) Risultati Paratia		Muro: LEFT	
Stage	Z (m)	Momento (kN*m/m)	Taglio (kN/m)
Stage 2	-2.5	0	0
Stage 2	-2.7	0	0
Stage 2	-2.7	0	0
Stage 2	-2.9	-0.03	-0.14
Stage 2	-3.1	-0.11	-0.42
Stage 2	-3.3	-0.28	-0.84
Stage 2	-3.5	-0.56	-1.4
Stage 2	-3.7	-0.98	-2.1
Stage 2	-3.9	-1.57	-2.95
Stage 2	-4.1	-2.36	-3.95
Stage 2	-4.3	-3.38	-5.1
Stage 2	-4.5	-4.66	-6.41
Stage 2	-4.7	-6.24	-7.87
Stage 2	-4.9	-8.14	-9.49
Stage 2	-5.1	-10.39	-11.27
Stage 2	-5.3	-13.08	-13.46
Stage 2	-5.5	-16.25	-15.84
Stage 2	-5.7	-19.92	-18.38
Stage 2	-5.9	-24.14	-21.1
Stage 2	-6.1	-28.94	-23.99
Stage 2	-6.3	-34.36	-27.07
Stage 2	-6.5	-40.42	-30.31
Stage 2	-6.7	-47.17	-33.73
Stage 2	-6.9	-54.63	-37.32
Stage 2	-7.1	-62.85	-41.1
Stage 2	-7.3	-71.86	-45.03
Stage 2	-7.5	-81.69	-49.15
Stage 2	-7.7	-92.37	-53.44
Stage 2	-7.9	-103.95	-57.9
Stage 2	-8.1	-116.46	-62.53
Stage 2	-8.3	-129.93	-67.34
Stage 2	-8.5	-144.39	-72.31
Stage 2	-8.7	-159.88	-77.46
Stage 2	-8.9	-176.44	-82.78
Stage 2	-9.1	-194.09	-88.28
Stage 2	-9.3	-212.06	-89.83
Stage 2	-9.5	-228.72	-83.32
Stage 2	-9.7	-242.47	-68.73
Stage 2	-9.9	-251.78	-46.56
Stage 2	-10.1	-256.86	-25.42
Stage 2	-10.3	-257.37	-2.51
Stage 2	-10.5	-253.5	19.31
Stage 2	-10.7	-245.54	39.84
Stage 2	-10.9	-233.92	58.1
Stage 2	-11.1	-219.6	71.58
Stage 2	-11.3	-203.42	80.92
Stage 2	-11.5	-186.07	86.72
Stage 2	-11.7	-168.16	89.56
Stage 2	-11.9	-150.17	89.95
Stage 2	-12.1	-132.5	88.36
Stage 2	-12.3	-115.46	85.2
Stage 2	-12.5	-99.29	80.85
Stage 2	-12.7	-84.16	75.62
Stage 2	-12.9	-70.21	69.79
Stage 2	-13.1	-57.49	63.6
Stage 2	-13.3	-46.04	57.24
Stage 2	-13.5	-35.86	50.88
Stage 2	-13.7	-26.93	44.63
Stage 2	-13.9	-19.21	38.6
Stage 2	-14.1	-12.64	32.87
Stage 2	-14.3	-7.15	27.47
Stage 2	-14.5	-2.66	22.45
Stage 2	-14.7	0.91	17.83
Stage 2	-14.9	3.63	13.61
Stage 2	-15.1	5.59	9.78
Stage 2	-15.3	6.95	6.82
Stage 2	-15.5	7.8	4.24

Design Assumption: SLE (Rara/Frequente/Quasi Permanente) Risultati Paratia		Muro: LEFT	
Stage	Z (m)	Momento (kN*m/m)	Taglio (kN/m)
Stage 2	-15.7	8.21	2.03
Stage 2	-15.9	8.24	0.15
Stage 2	-16.1	7.95	-1.42
Stage 2	-16.3	7.41	-2.7
Stage 2	-16.5	6.67	-3.73
Stage 2	-16.7	5.76	-4.52
Stage 2	-16.9	4.75	-5.09
Stage 2	-17.1	3.65	-5.47
Stage 2	-17.3	2.52	-5.67
Stage 2	-17.5	1.38	-5.7
Stage 2	-17.7	0.27	-5.57
Stage 2	-17.9	-0.79	-5.29
Stage 2	-18.1	-1.76	-4.86
Stage 2	-18.3	-2.62	-4.28
Stage 2	-18.5	-3.33	-3.56
Stage 2	-18.7	-3.87	-2.69
Stage 2	-18.9	-4.2	-1.65
Stage 2	-19.1	-4.29	-0.44
Stage 2	-19.3	-4.09	0.97
Stage 2	-19.5	-3.58	2.57
Stage 2	-19.7	-2.7	4.39
Stage 2	-19.9	-1.42	6.42
Stage 2	-20.1	0.32	8.69
Stage 2	-20.3	1.73	7.05
Stage 2	-20.5	2.85	5.59
Stage 2	-20.7	3.71	4.28
Stage 2	-20.9	4.33	3.14
Stage 2	-21.1	4.76	2.15
Stage 2	-21.3	5.02	1.3
Stage 2	-21.5	5.14	0.59
Stage 2	-21.7	5.14	-0.01
Stage 2	-21.9	5.04	-0.49
Stage 2	-22.1	4.86	-0.88
Stage 2	-22.3	4.63	-1.18
Stage 2	-22.5	4.35	-1.4
Stage 2	-22.7	4.04	-1.55
Stage 2	-22.9	3.71	-1.64
Stage 2	-23.1	3.38	-1.69
Stage 2	-23.3	3.04	-1.69
Stage 2	-23.5	2.71	-1.66
Stage 2	-23.7	2.38	-1.6
Stage 2	-23.9	2.08	-1.52
Stage 2	-24.1	1.79	-1.43
Stage 2	-24.3	1.53	-1.32
Stage 2	-24.5	1.29	-1.21
Stage 2	-24.7	1.07	-1.09
Stage 2	-24.9	0.87	-0.98
Stage 2	-25.1	0.7	-0.86
Stage 2	-25.3	0.55	-0.74
Stage 2	-25.5	0.43	-0.64
Stage 2	-25.7	0.32	-0.53
Stage 2	-25.9	0.23	-0.44
Stage 2	-26.1	0.16	-0.35
Stage 2	-26.3	0.11	-0.27
Stage 2	-26.5	0.06	-0.2
Stage 2	-26.7	0.04	-0.14
Stage 2	-26.9	0.02	-0.1
Stage 2	-27.1	0.01	-0.05
Stage 2	-27.3	0	-0.02
Stage 2	-27.5	0	0

Tabella Spostamento SLE (Rara/Frequente/Quasi Permanente) - LEFT Stage: Stage 3

Design Assumption: SLE (Rara/Frequente/Quasi Permanente) Tipo Risultato: Spostamento	Muro: LEFT	
Stage	Z (m)	Spostamento (mm)
Stage 3	-2.5	3.6
Stage 3	-2.7	3.5
Stage 3	-2.9	3.4
Stage 3	-3.1	3.3
Stage 3	-3.3	3.2
Stage 3	-3.5	3.1
Stage 3	-3.7	3
Stage 3	-3.9	2.9
Stage 3	-4.1	2.8
Stage 3	-4.3	2.7
Stage 3	-4.5	2.6
Stage 3	-4.7	2.5
Stage 3	-4.9	2.4
Stage 3	-5.1	2.3
Stage 3	-5.3	2.2
Stage 3	-5.5	2.1
Stage 3	-5.7	2
Stage 3	-5.9	1.9
Stage 3	-6.1	1.8
Stage 3	-6.3	1.71
Stage 3	-6.5	1.61
Stage 3	-6.7	1.51
Stage 3	-6.9	1.42
Stage 3	-7.1	1.33
Stage 3	-7.3	1.23
Stage 3	-7.5	1.14
Stage 3	-7.7	1.05
Stage 3	-7.9	0.97
Stage 3	-8.1	0.88
Stage 3	-8.3	0.8
Stage 3	-8.5	0.73
Stage 3	-8.7	0.66
Stage 3	-8.9	0.59
Stage 3	-9.1	0.52
Stage 3	-9.3	0.47
Stage 3	-9.5	0.41
Stage 3	-9.7	0.36
Stage 3	-9.9	0.31
Stage 3	-10.1	0.27
Stage 3	-10.3	0.23
Stage 3	-10.5	0.2
Stage 3	-10.7	0.17
Stage 3	-10.9	0.14
Stage 3	-11.1	0.12
Stage 3	-11.3	0.1
Stage 3	-11.5	0.09
Stage 3	-11.7	0.08
Stage 3	-11.9	0.07
Stage 3	-12.1	0.06
Stage 3	-12.3	0.05
Stage 3	-12.5	0.05
Stage 3	-12.7	0.05
Stage 3	-12.9	0.04
Stage 3	-13.1	0.04
Stage 3	-13.3	0.04
Stage 3	-13.5	0.05
Stage 3	-13.7	0.05
Stage 3	-13.9	0.05
Stage 3	-14.1	0.05
Stage 3	-14.3	0.05
Stage 3	-14.5	0.05
Stage 3	-14.7	0.06
Stage 3	-14.9	0.06
Stage 3	-15.1	0.06
Stage 3	-15.3	0.06
Stage 3	-15.5	0.06
Stage 3	-15.7	0.06

Design Assumption: SLE (Rara/Frequente/Quasi Permanente) Tipo Risultato: Spostamento			Muro: LEFT
Stage	Z (m)	Spostamento (mm)	
Stage 3	-15.9	0.07	
Stage 3	-16.1	0.07	
Stage 3	-16.3	0.07	
Stage 3	-16.5	0.07	
Stage 3	-16.7	0.07	
Stage 3	-16.9	0.07	
Stage 3	-17.1	0.07	
Stage 3	-17.3	0.07	
Stage 3	-17.5	0.07	
Stage 3	-17.7	0.07	
Stage 3	-17.9	0.07	
Stage 3	-18.1	0.07	
Stage 3	-18.3	0.08	
Stage 3	-18.5	0.08	
Stage 3	-18.7	0.08	
Stage 3	-18.9	0.08	
Stage 3	-19.1	0.08	
Stage 3	-19.3	0.08	
Stage 3	-19.5	0.08	
Stage 3	-19.7	0.08	
Stage 3	-19.9	0.08	
Stage 3	-20.1	0.08	
Stage 3	-20.3	0.09	
Stage 3	-20.5	0.09	
Stage 3	-20.7	0.09	
Stage 3	-20.9	0.09	
Stage 3	-21.1	0.09	
Stage 3	-21.3	0.09	
Stage 3	-21.5	0.09	
Stage 3	-21.7	0.09	
Stage 3	-21.9	0.09	
Stage 3	-22.1	0.09	
Stage 3	-22.3	0.1	
Stage 3	-22.5	0.1	
Stage 3	-22.7	0.1	
Stage 3	-22.9	0.1	
Stage 3	-23.1	0.1	
Stage 3	-23.3	0.1	
Stage 3	-23.5	0.1	
Stage 3	-23.7	0.1	
Stage 3	-23.9	0.1	
Stage 3	-24.1	0.1	
Stage 3	-24.3	0.1	
Stage 3	-24.5	0.1	
Stage 3	-24.7	0.1	
Stage 3	-24.9	0.1	
Stage 3	-25.1	0.1	
Stage 3	-25.3	0.1	
Stage 3	-25.5	0.1	
Stage 3	-25.7	0.1	
Stage 3	-25.9	0.1	
Stage 3	-26.1	0.1	
Stage 3	-26.3	0.1	
Stage 3	-26.5	0.1	
Stage 3	-26.7	0.1	
Stage 3	-26.9	0.1	
Stage 3	-27.1	0.1	
Stage 3	-27.3	0.1	
Stage 3	-27.5	0.1	

Tabella Risultati Paratia SLE (Rara/Frequente/Quasi Permanente) - Left Wall - Stage: Stage 3

Design Assumption: SLE (Rara/Frequente/Quasi Permanente) Risultati Paratia		Muro: LEFT	
Stage	Z (m)	Momento (kN*m/m)	Taglio (kN/m)
Stage 3	-2.5	0	0
Stage 3	-2.7	0	0
Stage 3	-2.9	-0.03	-0.14
Stage 3	-3.1	-0.11	-0.42
Stage 3	-3.3	-0.28	-0.84
Stage 3	-3.5	-0.56	-1.4
Stage 3	-3.7	-0.98	-2.1
Stage 3	-3.9	-1.57	-2.95
Stage 3	-4.1	-2.36	-3.95
Stage 3	-4.3	-3.38	-5.1
Stage 3	-4.5	-4.66	-6.41
Stage 3	-4.7	-6.24	-7.87
Stage 3	-4.9	-8.14	-9.49
Stage 3	-5.1	-10.39	-11.27
Stage 3	-5.3	-13.1	-13.55
Stage 3	-5.5	-16.43	-16.63
Stage 3	-5.7	-20.53	-20.49
Stage 3	-5.9	-25.55	-25.15
Stage 3	-6.1	-31.67	-30.58
Stage 3	-6.3	-39.03	-36.8
Stage 3	-6.5	-47.79	-43.8
Stage 3	-6.7	-58.11	-51.58
Stage 3	-6.9	-70.13	-60.1
Stage 3	-7.1	-84	-69.38
Stage 3	-7.3	-99.88	-79.36
Stage 3	-7.5	-117.88	-90.03
Stage 3	-7.7	-138.15	-101.33
Stage 3	-7.9	-160.79	-113.21
Stage 3	-8.1	-185.91	-125.59
Stage 3	-8.3	-213.58	-138.38
Stage 3	-8.5	-243.88	-151.46
Stage 3	-8.7	-239.9	19.85
Stage 3	-8.9	-238.58	6.6
Stage 3	-9.1	-239.89	-6.54
Stage 3	-9.3	-243.58	-18.44
Stage 3	-9.5	-247.91	-21.62
Stage 3	-9.7	-251.1	-15.98
Stage 3	-9.9	-251.5	-1.98
Stage 3	-10.1	-249.14	11.81
Stage 3	-10.3	-243.82	26.58
Stage 3	-10.5	-235.57	41.25
Stage 3	-10.7	-224.46	55.55
Stage 3	-10.9	-210.76	68.48
Stage 3	-11.1	-195.28	77.44
Stage 3	-11.3	-178.67	83.03
Stage 3	-11.5	-161.52	85.78
Stage 3	-11.7	-144.28	86.18
Stage 3	-11.9	-127.34	84.68
Stage 3	-12.1	-111.01	81.68
Stage 3	-12.3	-95.5	77.53
Stage 3	-12.5	-80.99	72.55
Stage 3	-12.7	-67.59	66.99
Stage 3	-12.9	-55.37	61.09
Stage 3	-13.1	-44.37	55.02
Stage 3	-13.3	-34.58	48.94
Stage 3	-13.5	-25.99	42.98
Stage 3	-13.7	-18.54	37.22
Stage 3	-13.9	-12.19	31.75
Stage 3	-14.1	-6.87	26.6
Stage 3	-14.3	-2.51	21.81
Stage 3	-14.5	0.97	17.4
Stage 3	-14.7	3.64	13.37
Stage 3	-14.9	5.58	9.71
Stage 3	-15.1	6.87	6.42
Stage 3	-15.3	7.66	3.99
Stage 3	-15.5	8.04	1.9
Stage 3	-15.7	8.07	0.12

Design Assumption: SLE (Rara/Frequente/Quasi Permanente) Risultati Paratia		Muro: LEFT	
Stage	Z (m)	Momento (kN*m/m)	Taglio (kN/m)
Stage 3	-15.9	7.8	-1.36
Stage 3	-16.1	7.28	-2.58
Stage 3	-16.3	6.57	-3.56
Stage 3	-16.5	5.7	-4.32
Stage 3	-16.7	4.73	-4.88
Stage 3	-16.9	3.67	-5.27
Stage 3	-17.1	2.57	-5.49
Stage 3	-17.3	1.46	-5.57
Stage 3	-17.5	0.36	-5.5
Stage 3	-17.7	-0.7	-5.3
Stage 3	-17.9	-1.69	-4.96
Stage 3	-18.1	-2.59	-4.5
Stage 3	-18.3	-3.37	-3.91
Stage 3	-18.5	-4.01	-3.18
Stage 3	-18.7	-4.47	-2.31
Stage 3	-18.9	-4.73	-1.28
Stage 3	-19.1	-4.74	-0.08
Stage 3	-19.3	-4.49	1.3
Stage 3	-19.5	-3.91	2.87
Stage 3	-19.7	-2.98	4.66
Stage 3	-19.9	-1.64	6.67
Stage 3	-20.1	0.14	8.91
Stage 3	-20.3	1.59	7.25
Stage 3	-20.5	2.74	5.75
Stage 3	-20.7	3.62	4.43
Stage 3	-20.9	4.28	3.27
Stage 3	-21.1	4.73	2.26
Stage 3	-21.3	5.01	1.39
Stage 3	-21.5	5.14	0.66
Stage 3	-21.7	5.15	0.05
Stage 3	-21.9	5.06	-0.44
Stage 3	-22.1	4.89	-0.84
Stage 3	-22.3	4.67	-1.15
Stage 3	-22.5	4.39	-1.38
Stage 3	-22.7	4.08	-1.53
Stage 3	-22.9	3.76	-1.64
Stage 3	-23.1	3.42	-1.69
Stage 3	-23.3	3.08	-1.69
Stage 3	-23.5	2.75	-1.67
Stage 3	-23.7	2.42	-1.61
Stage 3	-23.9	2.12	-1.54
Stage 3	-24.1	1.83	-1.44
Stage 3	-24.3	1.56	-1.34
Stage 3	-24.5	1.32	-1.23
Stage 3	-24.7	1.09	-1.11
Stage 3	-24.9	0.9	-0.99
Stage 3	-25.1	0.72	-0.87
Stage 3	-25.3	0.57	-0.76
Stage 3	-25.5	0.44	-0.65
Stage 3	-25.7	0.33	-0.55
Stage 3	-25.9	0.24	-0.45
Stage 3	-26.1	0.17	-0.36
Stage 3	-26.3	0.11	-0.28
Stage 3	-26.5	0.07	-0.21
Stage 3	-26.7	0.04	-0.15
Stage 3	-26.9	0.02	-0.1
Stage 3	-27.1	0.01	-0.06
Stage 3	-27.3	0	-0.03
Stage 3	-27.5	0	-0.01

Tabella Spostamento SLE (Rara/Frequente/Quasi Permanente) - LEFT Stage: Stage A

Design Assumption: SLE (Rara/Frequente/Quasi Permanente) Tipo Risultato: Spostamento	Muro: LEFT	
Stage	Z (m)	Spostamento (mm)
Stage A	-2.5	3.72
Stage A	-2.7	3.66
Stage A	-2.9	3.59
Stage A	-3.1	3.53
Stage A	-3.3	3.47
Stage A	-3.5	3.4
Stage A	-3.7	3.34
Stage A	-3.9	3.27
Stage A	-4.1	3.21
Stage A	-4.3	3.14
Stage A	-4.5	3.08
Stage A	-4.7	3.01
Stage A	-4.9	2.95
Stage A	-5.1	2.88
Stage A	-5.3	2.82
Stage A	-5.5	2.76
Stage A	-5.7	2.69
Stage A	-5.9	2.63
Stage A	-6.1	2.57
Stage A	-6.3	2.5
Stage A	-6.5	2.44
Stage A	-6.7	2.38
Stage A	-6.9	2.32
Stage A	-7.1	2.26
Stage A	-7.3	2.2
Stage A	-7.5	2.15
Stage A	-7.7	2.09
Stage A	-7.9	2.04
Stage A	-8.1	1.99
Stage A	-8.3	1.94
Stage A	-8.5	1.89
Stage A	-8.7	1.84
Stage A	-8.9	1.8
Stage A	-9.1	1.76
Stage A	-9.3	1.72
Stage A	-9.5	1.68
Stage A	-9.7	1.64
Stage A	-9.9	1.6
Stage A	-10.1	1.57
Stage A	-10.3	1.53
Stage A	-10.5	1.49
Stage A	-10.7	1.46
Stage A	-10.9	1.42
Stage A	-11.1	1.38
Stage A	-11.3	1.34
Stage A	-11.5	1.3
Stage A	-11.7	1.25
Stage A	-11.9	1.21
Stage A	-12.1	1.17
Stage A	-12.3	1.12
Stage A	-12.5	1.08
Stage A	-12.7	1.03
Stage A	-12.9	0.98
Stage A	-13.1	0.93
Stage A	-13.3	0.88
Stage A	-13.5	0.84
Stage A	-13.7	0.79
Stage A	-13.9	0.74
Stage A	-14.1	0.69
Stage A	-14.3	0.64
Stage A	-14.5	0.6
Stage A	-14.7	0.55
Stage A	-14.9	0.51
Stage A	-15.1	0.47
Stage A	-15.3	0.44
Stage A	-15.5	0.4
Stage A	-15.7	0.37

Design Assumption: SLE (Rara/Frequente/Quasi Permanente) Tipo Risultato: Spostamento		Muro: LEFT
Stage	Z (m)	Spostamento (mm)
Stage A	-15.9	0.34
Stage A	-16.1	0.31
Stage A	-16.3	0.29
Stage A	-16.5	0.27
Stage A	-16.7	0.25
Stage A	-16.9	0.24
Stage A	-17.1	0.22
Stage A	-17.3	0.21
Stage A	-17.5	0.2
Stage A	-17.7	0.2
Stage A	-17.9	0.19
Stage A	-18.1	0.19
Stage A	-18.3	0.18
Stage A	-18.5	0.18
Stage A	-18.7	0.18
Stage A	-18.9	0.18
Stage A	-19.1	0.19
Stage A	-19.3	0.19
Stage A	-19.5	0.19
Stage A	-19.7	0.19
Stage A	-19.9	0.2
Stage A	-20.1	0.2
Stage A	-20.3	0.21
Stage A	-20.5	0.21
Stage A	-20.7	0.22
Stage A	-20.9	0.22
Stage A	-21.1	0.23
Stage A	-21.3	0.23
Stage A	-21.5	0.23
Stage A	-21.7	0.24
Stage A	-21.9	0.24
Stage A	-22.1	0.24
Stage A	-22.3	0.25
Stage A	-22.5	0.25
Stage A	-22.7	0.25
Stage A	-22.9	0.25
Stage A	-23.1	0.26
Stage A	-23.3	0.26
Stage A	-23.5	0.26
Stage A	-23.7	0.26
Stage A	-23.9	0.26
Stage A	-24.1	0.26
Stage A	-24.3	0.26
Stage A	-24.5	0.26
Stage A	-24.7	0.26
Stage A	-24.9	0.26
Stage A	-25.1	0.26
Stage A	-25.3	0.26
Stage A	-25.5	0.26
Stage A	-25.7	0.26
Stage A	-25.9	0.26
Stage A	-26.1	0.26
Stage A	-26.3	0.26
Stage A	-26.5	0.26
Stage A	-26.7	0.26
Stage A	-26.9	0.26
Stage A	-27.1	0.26
Stage A	-27.3	0.26
Stage A	-27.5	0.25

Tabella Risultati Paratia SLE (Rara/Frequente/Quasi Permanente) - Left Wall - Stage: Stage A

Design Assumption: SLE (Rara/Frequente/Quasi Permanente) Risultati Paratia		Muro: LEFT	
Stage	Z (m)	Momento (kN*m/m)	Taglio (kN/m)
Stage A	-2.5	0	0
Stage A	-2.7	0	0
Stage A	-2.7	0	0
Stage A	-2.9	-0.03	-0.14
Stage A	-3.1	-0.11	-0.42
Stage A	-3.3	-0.28	-0.84
Stage A	-3.5	-0.56	-1.4
Stage A	-3.7	-0.98	-2.1
Stage A	-3.9	-1.57	-2.95
Stage A	-4.1	-2.36	-3.95
Stage A	-4.3	-3.38	-5.1
Stage A	-4.5	-4.66	-6.41
Stage A	-4.7	-6.24	-7.87
Stage A	-4.9	-8.14	-9.49
Stage A	-5.1	-10.39	-11.27
Stage A	-5.3	-13.08	-13.46
Stage A	-5.5	-16.25	-15.84
Stage A	-5.7	-19.92	-18.38
Stage A	-5.9	-24.14	-21.1
Stage A	-6.1	-28.94	-23.99
Stage A	-6.3	-34.36	-27.07
Stage A	-6.5	-40.42	-30.31
Stage A	-6.7	-47.17	-33.73
Stage A	-6.9	-54.63	-37.32
Stage A	-7.1	-62.85	-41.1
Stage A	-7.3	-71.86	-45.03
Stage A	-7.5	-81.69	-49.15
Stage A	-7.7	-92.37	-53.44
Stage A	-7.9	-103.95	-57.9
Stage A	-8.1	-116.46	-62.53
Stage A	-8.3	-129.93	-67.34
Stage A	-8.5	-144.39	-72.31
Stage A	-8.7	-122.33	110.31
Stage A	-8.9	-101.33	104.99
Stage A	-9.1	-81.43	99.49
Stage A	-9.3	-62.67	93.82
Stage A	-9.5	-45.07	87.98
Stage A	-9.7	-28.67	81.98
Stage A	-9.9	-13.51	75.8
Stage A	-10.1	0.37	69.45
Stage A	-10.3	12.89	62.59
Stage A	-10.5	24.01	55.57
Stage A	-10.7	33.68	48.36
Stage A	-10.9	41.88	41
Stage A	-11.1	48.57	33.46
Stage A	-11.3	53.72	25.75
Stage A	-11.5	57.29	17.86
Stage A	-11.7	59.26	9.81
Stage A	-11.9	59.57	1.59
Stage A	-12.1	58.21	-6.79
Stage A	-12.3	55.14	-15.35
Stage A	-12.5	50.33	-24.07
Stage A	-12.7	43.74	-32.96
Stage A	-12.9	35.34	-42.01
Stage A	-13.1	25.09	-51.24
Stage A	-13.3	12.96	-60.62
Stage A	-13.5	-1.07	-70.17
Stage A	-13.7	-17.05	-79.88
Stage A	-13.9	-35	-89.76
Stage A	-14.1	-54.96	-99.8
Stage A	-14.3	-76.22	-106.3
Stage A	-14.5	-97.33	-105.54
Stage A	-14.7	-116.83	-97.53
Stage A	-14.9	-133.29	-82.27
Stage A	-15.1	-145.85	-62.83
Stage A	-15.3	-154.38	-42.64
Stage A	-15.5	-159.25	-24.37

Design Assumption: SLE (Rara/Frequente/Quasi Permanente) Risultati Paratia		Muro: LEFT	
Stage	Z (m)	Momento (kN*m/m)	Taglio (kN/m)
Stage A	-15.7	-161.03	-8.85
Stage A	-15.9	-160.2	4.12
Stage A	-16.1	-157.25	14.77
Stage A	-16.3	-152.58	23.31
Stage A	-16.5	-146.59	29.98
Stage A	-16.7	-139.59	35
Stage A	-16.9	-131.87	38.58
Stage A	-17.1	-123.68	40.94
Stage A	-17.3	-115.23	42.28
Stage A	-17.5	-106.67	42.79
Stage A	-17.7	-98.14	42.65
Stage A	-17.9	-89.73	42.03
Stage A	-18.1	-81.52	41.05
Stage A	-18.3	-73.56	39.82
Stage A	-18.5	-65.86	38.47
Stage A	-18.7	-58.43	37.14
Stage A	-18.9	-51.25	35.95
Stage A	-19.1	-44.25	34.98
Stage A	-19.3	-37.38	34.34
Stage A	-19.5	-30.56	34.1
Stage A	-19.7	-23.7	34.32
Stage A	-19.9	-16.68	35.08
Stage A	-20.1	-9.4	36.39
Stage A	-20.3	-3.22	30.9
Stage A	-20.5	1.95	25.86
Stage A	-20.7	6.2	21.28
Stage A	-20.9	9.63	17.14
Stage A	-21.1	12.32	13.44
Stage A	-21.3	14.35	10.16
Stage A	-21.5	15.81	7.28
Stage A	-21.7	16.76	4.77
Stage A	-21.9	17.29	2.62
Stage A	-22.1	17.44	0.79
Stage A	-22.3	17.29	-0.75
Stage A	-22.5	16.89	-2.01
Stage A	-22.7	16.28	-3.03
Stage A	-22.9	15.52	-3.83
Stage A	-23.1	14.63	-4.44
Stage A	-23.3	13.65	-4.87
Stage A	-23.5	12.62	-5.16
Stage A	-23.7	11.56	-5.32
Stage A	-23.9	10.49	-5.37
Stage A	-24.1	9.42	-5.32
Stage A	-24.3	8.38	-5.2
Stage A	-24.5	7.38	-5.01
Stage A	-24.7	6.42	-4.78
Stage A	-24.9	5.52	-4.5
Stage A	-25.1	4.69	-4.19
Stage A	-25.3	3.91	-3.86
Stage A	-25.5	3.21	-3.52
Stage A	-25.7	2.58	-3.16
Stage A	-25.9	2.02	-2.81
Stage A	-26.1	1.53	-2.45
Stage A	-26.3	1.11	-2.09
Stage A	-26.5	0.76	-1.74
Stage A	-26.7	0.48	-1.4
Stage A	-26.9	0.27	-1.07
Stage A	-27.1	0.12	-0.75
Stage A	-27.3	0.03	-0.44
Stage A	-27.5	0	-0.14

Tabella Spostamento SLE (Rara/Frequente/Quasi Permanente) - LEFT Stage: Stage B

Design Assumption: SLE (Rara/Frequente/Quasi Permanente) Tipo Risultato: Spostamento			Muro: LEFT
Stage	Z (m)	Spostamento (mm)	
Stage B	-2.5	3.99	
Stage B	-2.7	3.91	
Stage B	-2.9	3.84	
Stage B	-3.1	3.77	
Stage B	-3.3	3.7	
Stage B	-3.5	3.63	
Stage B	-3.7	3.55	
Stage B	-3.9	3.48	
Stage B	-4.1	3.41	
Stage B	-4.3	3.34	
Stage B	-4.5	3.27	
Stage B	-4.7	3.19	
Stage B	-4.9	3.12	
Stage B	-5.1	3.05	
Stage B	-5.3	2.98	
Stage B	-5.5	2.91	
Stage B	-5.7	2.84	
Stage B	-5.9	2.77	
Stage B	-6.1	2.7	
Stage B	-6.3	2.63	
Stage B	-6.5	2.56	
Stage B	-6.7	2.49	
Stage B	-6.9	2.42	
Stage B	-7.1	2.36	
Stage B	-7.3	2.29	
Stage B	-7.5	2.23	
Stage B	-7.7	2.17	
Stage B	-7.9	2.1	
Stage B	-8.1	2.04	
Stage B	-8.3	1.99	
Stage B	-8.5	1.93	
Stage B	-8.7	1.88	
Stage B	-8.9	1.83	
Stage B	-9.1	1.78	
Stage B	-9.3	1.73	
Stage B	-9.5	1.69	
Stage B	-9.7	1.64	
Stage B	-9.9	1.6	
Stage B	-10.1	1.55	
Stage B	-10.3	1.51	
Stage B	-10.5	1.46	
Stage B	-10.7	1.42	
Stage B	-10.9	1.37	
Stage B	-11.1	1.33	
Stage B	-11.3	1.28	
Stage B	-11.5	1.23	
Stage B	-11.7	1.18	
Stage B	-11.9	1.13	
Stage B	-12.1	1.08	
Stage B	-12.3	1.03	
Stage B	-12.5	0.98	
Stage B	-12.7	0.93	
Stage B	-12.9	0.88	
Stage B	-13.1	0.83	
Stage B	-13.3	0.78	
Stage B	-13.5	0.73	
Stage B	-13.7	0.68	
Stage B	-13.9	0.64	
Stage B	-14.1	0.59	
Stage B	-14.3	0.55	
Stage B	-14.5	0.51	
Stage B	-14.7	0.47	
Stage B	-14.9	0.44	
Stage B	-15.1	0.41	
Stage B	-15.3	0.37	
Stage B	-15.5	0.35	
Stage B	-15.7	0.32	

Design Assumption: SLE (Rara/Frequente/Quasi Permanente) Tipo Risultato: Spostamento		Muro: LEFT
Stage	Z (m)	Spostamento (mm)
Stage B	-15.9	0.3
Stage B	-16.1	0.28
Stage B	-16.3	0.26
Stage B	-16.5	0.24
Stage B	-16.7	0.23
Stage B	-16.9	0.22
Stage B	-17.1	0.21
Stage B	-17.3	0.2
Stage B	-17.5	0.2
Stage B	-17.7	0.19
Stage B	-17.9	0.19
Stage B	-18.1	0.18
Stage B	-18.3	0.18
Stage B	-18.5	0.18
Stage B	-18.7	0.18
Stage B	-18.9	0.19
Stage B	-19.1	0.19
Stage B	-19.3	0.19
Stage B	-19.5	0.2
Stage B	-19.7	0.2
Stage B	-19.9	0.2
Stage B	-20.1	0.21
Stage B	-20.3	0.21
Stage B	-20.5	0.22
Stage B	-20.7	0.22
Stage B	-20.9	0.23
Stage B	-21.1	0.23
Stage B	-21.3	0.23
Stage B	-21.5	0.24
Stage B	-21.7	0.24
Stage B	-21.9	0.24
Stage B	-22.1	0.25
Stage B	-22.3	0.25
Stage B	-22.5	0.25
Stage B	-22.7	0.25
Stage B	-22.9	0.26
Stage B	-23.1	0.26
Stage B	-23.3	0.26
Stage B	-23.5	0.26
Stage B	-23.7	0.26
Stage B	-23.9	0.26
Stage B	-24.1	0.26
Stage B	-24.3	0.26
Stage B	-24.5	0.26
Stage B	-24.7	0.26
Stage B	-24.9	0.26
Stage B	-25.1	0.26
Stage B	-25.3	0.26
Stage B	-25.5	0.26
Stage B	-25.7	0.26
Stage B	-25.9	0.26
Stage B	-26.1	0.26
Stage B	-26.3	0.26
Stage B	-26.5	0.26
Stage B	-26.7	0.26
Stage B	-26.9	0.26
Stage B	-27.1	0.26
Stage B	-27.3	0.25
Stage B	-27.5	0.25

Tabella Risultati Paratia SLE (Rara/Frequente/Quasi Permanente) - Left Wall - Stage: Stage B

Design Assumption: SLE (Rara/Frequente/Quasi Permanente) Risultati Paratia		Muro: LEFT	
Stage	Z (m)	Momento (kN*m/m)	Taglio (kN/m)
Stage B	-2.5	0	0
Stage B	-2.7	0	0
Stage B	-2.7	0	0
Stage B	-2.9	-0.03	-0.14
Stage B	-3.1	-0.11	-0.42
Stage B	-3.3	-0.28	-0.84
Stage B	-3.5	-0.56	-1.4
Stage B	-3.7	-0.98	-2.1
Stage B	-3.9	-1.57	-2.95
Stage B	-4.1	-2.36	-3.95
Stage B	-4.3	-3.38	-5.1
Stage B	-4.5	-4.66	-6.41
Stage B	-4.7	-6.24	-7.87
Stage B	-4.9	-8.14	-9.49
Stage B	-5.1	-10.39	-11.27
Stage B	-5.3	-13.08	-13.46
Stage B	-5.5	-16.25	-15.84
Stage B	-5.7	-19.92	-18.38
Stage B	-5.9	-24.14	-21.1
Stage B	-6.1	-28.94	-23.99
Stage B	-6.3	-34.36	-27.07
Stage B	-6.5	-40.42	-30.31
Stage B	-6.7	-47.17	-33.73
Stage B	-6.9	-54.63	-37.32
Stage B	-7.1	-62.85	-41.1
Stage B	-7.3	-71.86	-45.03
Stage B	-7.5	-81.69	-49.15
Stage B	-7.7	-92.37	-53.44
Stage B	-7.9	-103.95	-57.9
Stage B	-8.1	-116.46	-62.53
Stage B	-8.3	-129.93	-67.34
Stage B	-8.5	-144.39	-72.31
Stage B	-8.7	-122.3	110.43
Stage B	-8.9	-101.28	105.11
Stage B	-9.1	-81.36	99.61
Stage B	-9.3	-62.57	93.95
Stage B	-9.5	-44.95	88.11
Stage B	-9.7	-28.53	82.1
Stage B	-9.9	-13.33	75.97
Stage B	-10.1	0.53	69.3
Stage B	-10.3	12.84	61.59
Stage B	-10.5	23.49	53.25
Stage B	-10.7	32.35	44.26
Stage B	-10.9	39.28	34.66
Stage B	-11.1	44.16	24.43
Stage B	-11.3	46.88	13.57
Stage B	-11.5	47.29	2.08
Stage B	-11.7	45.29	-10.01
Stage B	-11.9	40.75	-22.71
Stage B	-12.1	33.55	-35.98
Stage B	-12.3	23.59	-49.82
Stage B	-12.5	10.75	-64.19
Stage B	-12.7	-5.06	-79.06
Stage B	-12.9	-23.93	-94.38
Stage B	-13.1	-45.95	-110.11
Stage B	-13.3	-71.19	-126.16
Stage B	-13.5	-99.68	-142.46
Stage B	-13.7	-97.9	8.91
Stage B	-13.9	-99.42	-7.61
Stage B	-14.1	-104.24	-24.09
Stage B	-14.3	-112.14	-39.53
Stage B	-14.5	-121.59	-47.23
Stage B	-14.7	-131.02	-47.16
Stage B	-14.9	-138.87	-39.25
Stage B	-15.1	-144.19	-26.58
Stage B	-15.3	-146.76	-12.87
Stage B	-15.5	-146.85	-0.45

Design Assumption: SLE (Rara/Frequente/Quasi Permanente) Risultati Paratia		Muro: LEFT	
Stage	Z (m)	Momento (kN*m/m)	Taglio (kN/m)
Stage B	-15.7	-144.89	9.84
Stage B	-15.9	-141.25	18.18
Stage B	-16.1	-136.29	24.78
Stage B	-16.3	-130.33	29.8
Stage B	-16.5	-123.64	33.46
Stage B	-16.7	-116.45	35.94
Stage B	-16.9	-108.97	37.41
Stage B	-17.1	-101.36	38.04
Stage B	-17.3	-93.76	38.01
Stage B	-17.5	-86.27	37.46
Stage B	-17.7	-78.96	36.54
Stage B	-17.9	-71.89	35.38
Stage B	-18.1	-65.07	34.07
Stage B	-18.3	-58.53	32.69
Stage B	-18.5	-52.26	31.35
Stage B	-18.7	-46.23	30.15
Stage B	-18.9	-40.4	29.19
Stage B	-19.1	-34.69	28.54
Stage B	-19.3	-29.03	28.28
Stage B	-19.5	-23.34	28.47
Stage B	-19.7	-17.5	29.17
Stage B	-19.9	-11.42	30.41
Stage B	-20.1	-4.97	32.23
Stage B	-20.3	0.44	27.09
Stage B	-20.5	4.93	22.41
Stage B	-20.7	8.56	18.18
Stage B	-20.9	11.44	14.38
Stage B	-21.1	13.64	11
Stage B	-21.3	15.24	8.02
Stage B	-21.5	16.33	5.43
Stage B	-21.7	16.97	3.19
Stage B	-21.9	17.22	1.28
Stage B	-22.1	17.16	-0.32
Stage B	-22.3	16.83	-1.65
Stage B	-22.5	16.28	-2.72
Stage B	-22.7	15.57	-3.57
Stage B	-22.9	14.73	-4.22
Stage B	-23.1	13.79	-4.7
Stage B	-23.3	12.78	-5.01
Stage B	-23.5	11.74	-5.2
Stage B	-23.7	10.69	-5.27
Stage B	-23.9	9.64	-5.25
Stage B	-24.1	8.61	-5.14
Stage B	-24.3	7.62	-4.97
Stage B	-24.5	6.67	-4.75
Stage B	-24.7	5.77	-4.48
Stage B	-24.9	4.93	-4.19
Stage B	-25.1	4.16	-3.87
Stage B	-25.3	3.45	-3.53
Stage B	-25.5	2.81	-3.19
Stage B	-25.7	2.25	-2.85
Stage B	-25.9	1.74	-2.5
Stage B	-26.1	1.31	-2.16
Stage B	-26.3	0.95	-1.83
Stage B	-26.5	0.64	-1.51
Stage B	-26.7	0.4	-1.2
Stage B	-26.9	0.22	-0.91
Stage B	-27.1	0.1	-0.63
Stage B	-27.3	0.02	-0.36
Stage B	-27.5	0	-0.12

Tabella Spostamento SLE (Rara/Frequente/Quasi Permanente) - LEFT Stage: Stage 4

Design Assumption: SLE (Rara/Frequente/Quasi Permanente) Tipo Risultato: Spostamento		Muro: LEFT
Stage	Z (m)	Spostamento (mm)
Stage 4	-2.5	21.58
Stage 4	-2.7	21.5
Stage 4	-2.9	21.43
Stage 4	-3.1	21.36
Stage 4	-3.3	21.29
Stage 4	-3.5	21.21
Stage 4	-3.7	21.14
Stage 4	-3.9	21.07
Stage 4	-4.1	21
Stage 4	-4.3	20.92
Stage 4	-4.5	20.85
Stage 4	-4.7	20.78
Stage 4	-4.9	20.71
Stage 4	-5.1	20.63
Stage 4	-5.3	20.56
Stage 4	-5.5	20.49
Stage 4	-5.7	20.42
Stage 4	-5.9	20.35
Stage 4	-6.1	20.28
Stage 4	-6.3	20.21
Stage 4	-6.5	20.14
Stage 4	-6.7	20.07
Stage 4	-6.9	20
Stage 4	-7.1	19.93
Stage 4	-7.3	19.87
Stage 4	-7.5	19.8
Stage 4	-7.7	19.74
Stage 4	-7.9	19.68
Stage 4	-8.1	19.62
Stage 4	-8.3	19.56
Stage 4	-8.5	19.5
Stage 4	-8.7	19.45
Stage 4	-8.9	19.4
Stage 4	-9.1	19.35
Stage 4	-9.3	19.3
Stage 4	-9.5	19.25
Stage 4	-9.7	19.2
Stage 4	-9.9	19.15
Stage 4	-10.1	19.1
Stage 4	-10.3	19.05
Stage 4	-10.5	19
Stage 4	-10.7	18.94
Stage 4	-10.9	18.89
Stage 4	-11.1	18.82
Stage 4	-11.3	18.76
Stage 4	-11.5	18.69
Stage 4	-11.7	18.62
Stage 4	-11.9	18.55
Stage 4	-12.1	18.47
Stage 4	-12.3	18.39
Stage 4	-12.5	18.3
Stage 4	-12.7	18.21
Stage 4	-12.9	18.12
Stage 4	-13.1	18.02
Stage 4	-13.3	17.91
Stage 4	-13.5	17.81
Stage 4	-13.7	17.69
Stage 4	-13.9	17.58
Stage 4	-14.1	17.45
Stage 4	-14.3	17.32
Stage 4	-14.5	17.19
Stage 4	-14.7	17.05
Stage 4	-14.9	16.9
Stage 4	-15.1	16.74
Stage 4	-15.3	16.57
Stage 4	-15.5	16.39
Stage 4	-15.7	16.21

Design Assumption: SLE (Rara/Frequente/Quasi Permanente) Tipo Risultato: Spostamento			Muro: LEFT
Stage	Z (m)	Spostamento (mm)	
Stage 4	-15.9	16.02	
Stage 4	-16.1	15.81	
Stage 4	-16.3	15.6	
Stage 4	-16.5	15.38	
Stage 4	-16.7	15.14	
Stage 4	-16.9	14.9	
Stage 4	-17.1	14.65	
Stage 4	-17.3	14.38	
Stage 4	-17.5	14.11	
Stage 4	-17.7	13.82	
Stage 4	-17.9	13.53	
Stage 4	-18.1	13.23	
Stage 4	-18.3	12.91	
Stage 4	-18.5	12.59	
Stage 4	-18.7	12.26	
Stage 4	-18.9	11.92	
Stage 4	-19.1	11.58	
Stage 4	-19.3	11.22	
Stage 4	-19.5	10.86	
Stage 4	-19.7	10.49	
Stage 4	-19.9	10.12	
Stage 4	-20.1	9.74	
Stage 4	-20.3	9.36	
Stage 4	-20.5	8.97	
Stage 4	-20.7	8.59	
Stage 4	-20.9	8.19	
Stage 4	-21.1	7.8	
Stage 4	-21.3	7.41	
Stage 4	-21.5	7.02	
Stage 4	-21.7	6.64	
Stage 4	-21.9	6.25	
Stage 4	-22.1	5.87	
Stage 4	-22.3	5.5	
Stage 4	-22.5	5.13	
Stage 4	-22.7	4.77	
Stage 4	-22.9	4.42	
Stage 4	-23.1	4.08	
Stage 4	-23.3	3.75	
Stage 4	-23.5	3.44	
Stage 4	-23.7	3.13	
Stage 4	-23.9	2.84	
Stage 4	-24.1	2.55	
Stage 4	-24.3	2.29	
Stage 4	-24.5	2.03	
Stage 4	-24.7	1.79	
Stage 4	-24.9	1.56	
Stage 4	-25.1	1.34	
Stage 4	-25.3	1.13	
Stage 4	-25.5	0.93	
Stage 4	-25.7	0.74	
Stage 4	-25.9	0.56	
Stage 4	-26.1	0.39	
Stage 4	-26.3	0.22	
Stage 4	-26.5	0.06	
Stage 4	-26.7	-0.1	
Stage 4	-26.9	-0.26	
Stage 4	-27.1	-0.42	
Stage 4	-27.3	-0.58	
Stage 4	-27.5	-0.73	

Tabella Risultati Paratia SLE (Rara/Frequente/Quasi Permanente) - Left Wall - Stage: Stage 4

Design Assumption: SLE (Rara/Frequente/Quasi Permanente) Risultati Paratia		Muro: LEFT	
Stage	Z (m)	Momento (kN*m/m)	Taglio (kN/m)
Stage 4	-2.5	0	0
Stage 4	-2.7	0	0
Stage 4	-2.7	0	0
Stage 4	-2.9	-0.03	-0.14
Stage 4	-3.1	-0.11	-0.42
Stage 4	-3.3	-0.28	-0.84
Stage 4	-3.5	-0.56	-1.4
Stage 4	-3.7	-0.98	-2.1
Stage 4	-3.9	-1.57	-2.95
Stage 4	-4.1	-2.36	-3.95
Stage 4	-4.3	-3.38	-5.1
Stage 4	-4.5	-4.66	-6.41
Stage 4	-4.7	-6.24	-7.87
Stage 4	-4.9	-8.14	-9.49
Stage 4	-5.1	-10.39	-11.27
Stage 4	-5.3	-13.08	-13.46
Stage 4	-5.5	-16.25	-15.84
Stage 4	-5.7	-19.92	-18.38
Stage 4	-5.9	-24.14	-21.1
Stage 4	-6.1	-28.94	-23.99
Stage 4	-6.3	-34.36	-27.07
Stage 4	-6.5	-40.42	-30.31
Stage 4	-6.7	-47.17	-33.73
Stage 4	-6.9	-54.63	-37.32
Stage 4	-7.1	-62.85	-41.1
Stage 4	-7.3	-71.86	-45.03
Stage 4	-7.5	-81.69	-49.15
Stage 4	-7.7	-92.37	-53.44
Stage 4	-7.9	-103.95	-57.9
Stage 4	-8.1	-116.46	-62.53
Stage 4	-8.3	-129.93	-67.34
Stage 4	-8.5	-144.39	-72.31
Stage 4	-8.7	-112.57	159.11
Stage 4	-8.9	-81.81	153.79
Stage 4	-9.1	-52.15	148.29
Stage 4	-9.3	-23.63	142.62
Stage 4	-9.5	3.73	136.78
Stage 4	-9.7	29.88	130.78
Stage 4	-9.9	54.8	124.59
Stage 4	-10.1	78.45	118.25
Stage 4	-10.3	100.73	111.39
Stage 4	-10.5	121.6	104.37
Stage 4	-10.7	141.04	97.16
Stage 4	-10.9	159	89.8
Stage 4	-11.1	175.45	82.25
Stage 4	-11.3	190.36	74.55
Stage 4	-11.5	203.69	66.66
Stage 4	-11.7	215.41	58.61
Stage 4	-11.9	225.49	50.39
Stage 4	-12.1	233.89	42
Stage 4	-12.3	240.58	33.45
Stage 4	-12.5	245.53	24.73
Stage 4	-12.7	248.69	15.84
Stage 4	-12.9	250.05	6.79
Stage 4	-13.1	249.56	-2.44
Stage 4	-13.3	247.2	-11.82
Stage 4	-13.5	242.92	-21.37
Stage 4	-13.7	279.93	185.05
Stage 4	-13.9	314.97	175.17
Stage 4	-14.1	348	165.13
Stage 4	-14.3	378.98	154.93
Stage 4	-14.5	407.89	144.56
Stage 4	-14.7	434.7	134.03
Stage 4	-14.9	459.37	123.34
Stage 4	-15.1	481.86	112.49
Stage 4	-15.3	502.17	101.53
Stage 4	-15.5	520.25	90.4

Design Assumption: SLE (Rara/Frequente/Quasi Permanente) Risultati Paratia		Muro: LEFT	
Stage	Z (m)	Momento (kN*m/m)	Taglio (kN/m)
Stage 4	-15.7	536.07	79.1
Stage 4	-15.9	549.59	67.63
Stage 4	-16.1	560.8	56
Stage 4	-16.3	569.64	44.2
Stage 4	-16.5	576.08	32.23
Stage 4	-16.7	580.1	20.09
Stage 4	-16.9	581.66	7.79
Stage 4	-17.1	580.72	-4.69
Stage 4	-17.3	577.25	-17.33
Stage 4	-17.5	571.23	-30.13
Stage 4	-17.7	562.61	-43.1
Stage 4	-17.9	551.36	-56.24
Stage 4	-18.1	537.45	-69.55
Stage 4	-18.3	520.84	-83.02
Stage 4	-18.5	501.51	-96.66
Stage 4	-18.7	479.42	-110.47
Stage 4	-18.9	454.53	-124.43
Stage 4	-19.1	426.82	-138.57
Stage 4	-19.3	396.25	-152.86
Stage 4	-19.5	362.78	-167.33
Stage 4	-19.7	326.39	-181.96
Stage 4	-19.9	287.04	-196.76
Stage 4	-20.1	244.7	-211.72
Stage 4	-20.3	199.33	-226.84
Stage 4	-20.5	150.9	-242.12
Stage 4	-20.7	99.38	-257.58
Stage 4	-20.9	44.75	-273.19
Stage 4	-21.1	-13.05	-288.98
Stage 4	-21.3	-73.6	-302.74
Stage 4	-21.5	-136.06	-312.32
Stage 4	-21.7	-199.6	-317.7
Stage 4	-21.9	-263.38	-318.89
Stage 4	-22.1	-326.55	-315.88
Stage 4	-22.3	-388.29	-308.69
Stage 4	-22.5	-447.75	-297.3
Stage 4	-22.7	-504.09	-281.72
Stage 4	-22.9	-556.48	-261.94
Stage 4	-23.1	-604.08	-237.97
Stage 4	-23.3	-646.04	-209.81
Stage 4	-23.5	-681.53	-177.46
Stage 4	-23.7	-709.71	-140.91
Stage 4	-23.9	-729.75	-100.17
Stage 4	-24.1	-740.8	-55.24
Stage 4	-24.3	-742.02	-6.11
Stage 4	-24.5	-732.58	47.21
Stage 4	-24.7	-711.63	104.73
Stage 4	-24.9	-679.37	161.3
Stage 4	-25.1	-636.42	214.73
Stage 4	-25.3	-583.38	265.2
Stage 4	-25.5	-520.98	312.01
Stage 4	-25.7	-452.18	344
Stage 4	-25.9	-380.03	360.77
Stage 4	-26.1	-307.44	362.95
Stage 4	-26.3	-237.22	351.1
Stage 4	-26.5	-172.09	325.63
Stage 4	-26.7	-114.71	286.89
Stage 4	-26.9	-67.09	238.12
Stage 4	-27.1	-30.95	180.7
Stage 4	-27.3	-8.01	114.67
Stage 4	-27.5	0	40.08

Tabella Spostamento SLE (Rara/Frequente/Quasi Permanente) - LEFT Stage: Stage D

Design Assumption: SLE (Rara/Frequente/Quasi Permanente) Tipo Risultato: Spostamento			Muro: LEFT
Stage	Z (m)	Spostamento (mm)	
Stage D	-2.5	21.82	
Stage D	-2.7	21.74	
Stage D	-2.9	21.67	
Stage D	-3.1	21.59	
Stage D	-3.3	21.52	
Stage D	-3.5	21.44	
Stage D	-3.7	21.37	
Stage D	-3.9	21.29	
Stage D	-4.1	21.22	
Stage D	-4.3	21.14	
Stage D	-4.5	21.07	
Stage D	-4.7	20.99	
Stage D	-4.9	20.91	
Stage D	-5.1	20.84	
Stage D	-5.3	20.77	
Stage D	-5.5	20.69	
Stage D	-5.7	20.62	
Stage D	-5.9	20.54	
Stage D	-6.1	20.47	
Stage D	-6.3	20.4	
Stage D	-6.5	20.32	
Stage D	-6.7	20.25	
Stage D	-6.9	20.18	
Stage D	-7.1	20.11	
Stage D	-7.3	20.04	
Stage D	-7.5	19.97	
Stage D	-7.7	19.91	
Stage D	-7.9	19.84	
Stage D	-8.1	19.78	
Stage D	-8.3	19.72	
Stage D	-8.5	19.66	
Stage D	-8.7	19.61	
Stage D	-8.9	19.55	
Stage D	-9.1	19.5	
Stage D	-9.3	19.45	
Stage D	-9.5	19.4	
Stage D	-9.7	19.35	
Stage D	-9.9	19.29	
Stage D	-10.1	19.24	
Stage D	-10.3	19.19	
Stage D	-10.5	19.13	
Stage D	-10.7	19.07	
Stage D	-10.9	19.01	
Stage D	-11.1	18.95	
Stage D	-11.3	18.88	
Stage D	-11.5	18.81	
Stage D	-11.7	18.74	
Stage D	-11.9	18.66	
Stage D	-12.1	18.58	
Stage D	-12.3	18.5	
Stage D	-12.5	18.41	
Stage D	-12.7	18.31	
Stage D	-12.9	18.21	
Stage D	-13.1	18.11	
Stage D	-13.3	18	
Stage D	-13.5	17.89	
Stage D	-13.7	17.78	
Stage D	-13.9	17.66	
Stage D	-14.1	17.53	
Stage D	-14.3	17.4	
Stage D	-14.5	17.26	
Stage D	-14.7	17.11	
Stage D	-14.9	16.96	
Stage D	-15.1	16.8	
Stage D	-15.3	16.63	
Stage D	-15.5	16.45	
Stage D	-15.7	16.26	

Design Assumption: SLE (Rara/Frequente/Quasi Permanente) Tipo Risultato: Spostamento		Muro: LEFT
Stage	Z (m)	Spostamento (mm)
Stage D	-15.9	16.06
Stage D	-16.1	15.85
Stage D	-16.3	15.64
Stage D	-16.5	15.41
Stage D	-16.7	15.17
Stage D	-16.9	14.92
Stage D	-17.1	14.67
Stage D	-17.3	14.4
Stage D	-17.5	14.12
Stage D	-17.7	13.83
Stage D	-17.9	13.53
Stage D	-18.1	13.23
Stage D	-18.3	12.91
Stage D	-18.5	12.58
Stage D	-18.7	12.25
Stage D	-18.9	11.9
Stage D	-19.1	11.55
Stage D	-19.3	11.19
Stage D	-19.5	10.82
Stage D	-19.7	10.45
Stage D	-19.9	10.07
Stage D	-20.1	9.69
Stage D	-20.3	9.3
Stage D	-20.5	8.91
Stage D	-20.7	8.52
Stage D	-20.9	8.12
Stage D	-21.1	7.73
Stage D	-21.3	7.33
Stage D	-21.5	6.94
Stage D	-21.7	6.55
Stage D	-21.9	6.16
Stage D	-22.1	5.78
Stage D	-22.3	5.4
Stage D	-22.5	5.04
Stage D	-22.7	4.68
Stage D	-22.9	4.33
Stage D	-23.1	3.99
Stage D	-23.3	3.66
Stage D	-23.5	3.34
Stage D	-23.7	3.03
Stage D	-23.9	2.74
Stage D	-24.1	2.46
Stage D	-24.3	2.19
Stage D	-24.5	1.93
Stage D	-24.7	1.69
Stage D	-24.9	1.46
Stage D	-25.1	1.24
Stage D	-25.3	1.04
Stage D	-25.5	0.84
Stage D	-25.7	0.65
Stage D	-25.9	0.47
Stage D	-26.1	0.3
Stage D	-26.3	0.13
Stage D	-26.5	-0.04
Stage D	-26.7	-0.2
Stage D	-26.9	-0.36
Stage D	-27.1	-0.51
Stage D	-27.3	-0.67
Stage D	-27.5	-0.83

Tabella Risultati Paratia SLE (Rara/Frequente/Quasi Permanente) - Left Wall - Stage: Stage D

Design Assumption: SLE (Rara/Frequente/Quasi Permanente) Risultati Paratia		Muro: LEFT	
Stage	Z (m)	Momento (kN*m/m)	Taglio (kN/m)
Stage D	-2.5	0	0
Stage D	-2.7	0	0
Stage D	-2.7	0	0
Stage D	-2.9	-0.03	-0.14
Stage D	-3.1	-0.11	-0.42
Stage D	-3.3	-0.28	-0.84
Stage D	-3.5	-0.56	-1.4
Stage D	-3.7	-0.98	-2.1
Stage D	-3.9	-1.57	-2.95
Stage D	-4.1	-2.36	-3.95
Stage D	-4.3	-3.38	-5.1
Stage D	-4.5	-4.66	-6.41
Stage D	-4.7	-6.24	-7.87
Stage D	-4.9	-8.14	-9.49
Stage D	-5.1	-10.39	-11.27
Stage D	-5.3	-13.08	-13.46
Stage D	-5.5	-16.25	-15.84
Stage D	-5.7	-19.92	-18.38
Stage D	-5.9	-24.14	-21.1
Stage D	-6.1	-28.94	-23.99
Stage D	-6.3	-34.36	-27.07
Stage D	-6.5	-40.42	-30.31
Stage D	-6.7	-47.17	-33.73
Stage D	-6.9	-54.63	-37.32
Stage D	-7.1	-62.85	-41.1
Stage D	-7.3	-71.86	-45.03
Stage D	-7.5	-81.69	-49.15
Stage D	-7.7	-92.37	-53.44
Stage D	-7.9	-103.95	-57.9
Stage D	-8.1	-116.46	-62.53
Stage D	-8.3	-129.93	-67.34
Stage D	-8.5	-144.39	-72.31
Stage D	-8.7	-112.48	159.55
Stage D	-8.9	-81.63	154.23
Stage D	-9.1	-51.89	148.73
Stage D	-9.3	-23.27	143.07
Stage D	-9.5	4.17	137.23
Stage D	-9.7	30.42	131.22
Stage D	-9.9	55.42	125.04
Stage D	-10.1	79.16	118.69
Stage D	-10.3	101.53	111.83
Stage D	-10.5	122.49	104.81
Stage D	-10.7	142.01	97.6
Stage D	-10.9	160.06	90.24
Stage D	-11.1	176.6	82.7
Stage D	-11.3	191.6	74.99
Stage D	-11.5	205.02	67.1
Stage D	-11.7	216.83	59.06
Stage D	-11.9	227	50.83
Stage D	-12.1	235.49	42.45
Stage D	-12.3	242.27	33.89
Stage D	-12.5	247.3	25.17
Stage D	-12.7	250.56	16.28
Stage D	-12.9	252	7.23
Stage D	-13.1	251.6	-1.99
Stage D	-13.3	249.33	-11.38
Stage D	-13.5	245.14	-20.93
Stage D	-13.7	282.29	185.74
Stage D	-13.9	317.46	175.86
Stage D	-14.1	350.63	165.83
Stage D	-14.3	381.75	155.62
Stage D	-14.5	410.8	145.25
Stage D	-14.7	437.75	134.72
Stage D	-14.9	462.55	124.03
Stage D	-15.1	485.19	113.18
Stage D	-15.3	505.63	102.22
Stage D	-15.5	523.85	91.09

Design Assumption: SLE (Rara/Frequente/Quasi Permanente) Risultati Paratia		Muro: LEFT	
Stage	Z (m)	Momento (kN*m/m)	Taglio (kN/m)
Stage D	-15.7	539.81	79.79
Stage D	-15.9	553.47	68.32
Stage D	-16.1	564.81	56.69
Stage D	-16.3	573.79	44.89
Stage D	-16.5	580.37	32.92
Stage D	-16.7	584.53	20.78
Stage D	-16.9	586.23	8.48
Stage D	-17.1	585.43	-4
Stage D	-17.3	582.1	-16.64
Stage D	-17.5	576.21	-29.44
Stage D	-17.7	567.73	-42.41
Stage D	-17.9	556.62	-55.55
Stage D	-18.1	542.88	-68.7
Stage D	-18.3	526.42	-82.3
Stage D	-18.5	507.14	-96.37
Stage D	-18.7	484.96	-110.91
Stage D	-18.9	459.78	-125.91
Stage D	-19.1	431.5	-141.4
Stage D	-19.3	400.02	-157.37
Stage D	-19.5	365.25	-173.84
Stage D	-19.7	327.09	-190.8
Stage D	-19.9	285.48	-208.08
Stage D	-20.1	240.34	-225.71
Stage D	-20.3	191.79	-242.74
Stage D	-20.5	139.84	-259.74
Stage D	-20.7	84.52	-276.61
Stage D	-20.9	25.85	-293.33
Stage D	-21.1	-36.13	-309.89
Stage D	-21.3	-99.23	-315.49
Stage D	-21.5	-163.01	-318.92
Stage D	-21.7	-226.9	-319.44
Stage D	-21.9	-290.24	-316.73
Stage D	-22.1	-352.36	-310.59
Stage D	-22.3	-412.54	-300.9
Stage D	-22.5	-470.05	-287.53
Stage D	-22.7	-524.13	-270.41
Stage D	-22.9	-574.02	-249.46
Stage D	-23.1	-618.95	-224.61
Stage D	-23.3	-658.11	-195.83
Stage D	-23.5	-690.72	-163.06
Stage D	-23.7	-715.98	-126.27
Stage D	-23.9	-733.15	-85.86
Stage D	-24.1	-741.64	-42.47
Stage D	-24.3	-740.73	4.55
Stage D	-24.5	-729.57	55.82
Stage D	-24.7	-707.3	111.33
Stage D	-24.9	-674.12	165.93
Stage D	-25.1	-630.63	217.43
Stage D	-25.3	-577.43	266
Stage D	-25.5	-515.17	311.32
Stage D	-25.7	-446.65	342.6
Stage D	-25.9	-374.93	358.58
Stage D	-26.1	-302.95	359.89
Stage D	-26.3	-233.54	347.07
Stage D	-26.5	-169.43	320.55
Stage D	-26.7	-113.05	281.88
Stage D	-26.9	-66.18	234.37
Stage D	-27.1	-30.56	178.11
Stage D	-27.3	-7.92	113.19
Stage D	-27.5	0	39.61

Tabella Spostamento SLE (Rara/Frequente/Quasi Permanente) - LEFT Stage: Stage 5

Design Assumption: SLE (Rara/Frequente/Quasi Permanente) Tipo Risultato: Spostamento	Muro: LEFT	
Stage	Z (m)	Spostamento (mm)
Stage 5	-2.5	21.82
Stage 5	-2.7	21.74
Stage 5	-2.9	21.67
Stage 5	-3.1	21.59
Stage 5	-3.3	21.52
Stage 5	-3.5	21.44
Stage 5	-3.7	21.37
Stage 5	-3.9	21.29
Stage 5	-4.1	21.22
Stage 5	-4.3	21.14
Stage 5	-4.5	21.07
Stage 5	-4.7	20.99
Stage 5	-4.9	20.91
Stage 5	-5.1	20.84
Stage 5	-5.3	20.77
Stage 5	-5.5	20.69
Stage 5	-5.7	20.62
Stage 5	-5.9	20.54
Stage 5	-6.1	20.47
Stage 5	-6.3	20.4
Stage 5	-6.5	20.32
Stage 5	-6.7	20.25
Stage 5	-6.9	20.18
Stage 5	-7.1	20.11
Stage 5	-7.3	20.04
Stage 5	-7.5	19.97
Stage 5	-7.7	19.91
Stage 5	-7.9	19.84
Stage 5	-8.1	19.78
Stage 5	-8.3	19.72
Stage 5	-8.5	19.66
Stage 5	-8.7	19.61
Stage 5	-8.9	19.55
Stage 5	-9.1	19.5
Stage 5	-9.3	19.45
Stage 5	-9.5	19.4
Stage 5	-9.7	19.35
Stage 5	-9.9	19.29
Stage 5	-10.1	19.24
Stage 5	-10.3	19.19
Stage 5	-10.5	19.13
Stage 5	-10.7	19.07
Stage 5	-10.9	19.01
Stage 5	-11.1	18.95
Stage 5	-11.3	18.88
Stage 5	-11.5	18.81
Stage 5	-11.7	18.74
Stage 5	-11.9	18.66
Stage 5	-12.1	18.58
Stage 5	-12.3	18.5
Stage 5	-12.5	18.41
Stage 5	-12.7	18.31
Stage 5	-12.9	18.21
Stage 5	-13.1	18.11
Stage 5	-13.3	18
Stage 5	-13.5	17.89
Stage 5	-13.7	17.78
Stage 5	-13.9	17.66
Stage 5	-14.1	17.53
Stage 5	-14.3	17.4
Stage 5	-14.5	17.26
Stage 5	-14.7	17.11
Stage 5	-14.9	16.96
Stage 5	-15.1	16.8
Stage 5	-15.3	16.63
Stage 5	-15.5	16.45
Stage 5	-15.7	16.26

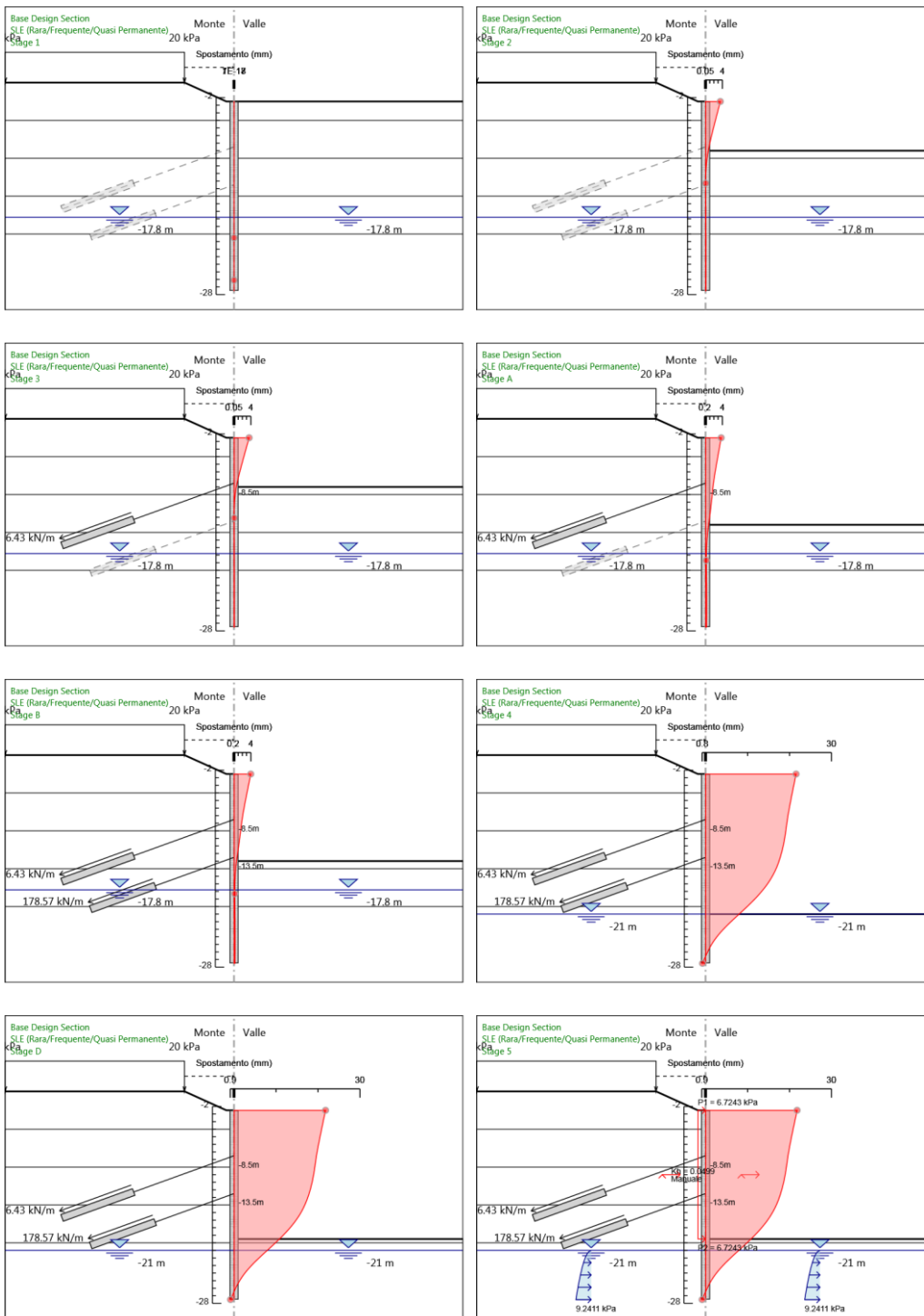
Design Assumption: SLE (Rara/Frequente/Quasi Permanente) Tipo Risultato: Spostamento		Muro: LEFT
Stage	Z (m)	Spostamento (mm)
Stage 5	-15.9	16.06
Stage 5	-16.1	15.85
Stage 5	-16.3	15.64
Stage 5	-16.5	15.41
Stage 5	-16.7	15.17
Stage 5	-16.9	14.92
Stage 5	-17.1	14.67
Stage 5	-17.3	14.4
Stage 5	-17.5	14.12
Stage 5	-17.7	13.83
Stage 5	-17.9	13.53
Stage 5	-18.1	13.23
Stage 5	-18.3	12.91
Stage 5	-18.5	12.58
Stage 5	-18.7	12.25
Stage 5	-18.9	11.9
Stage 5	-19.1	11.55
Stage 5	-19.3	11.19
Stage 5	-19.5	10.82
Stage 5	-19.7	10.45
Stage 5	-19.9	10.07
Stage 5	-20.1	9.69
Stage 5	-20.3	9.3
Stage 5	-20.5	8.91
Stage 5	-20.7	8.52
Stage 5	-20.9	8.12
Stage 5	-21.1	7.73
Stage 5	-21.3	7.33
Stage 5	-21.5	6.94
Stage 5	-21.7	6.55
Stage 5	-21.9	6.16
Stage 5	-22.1	5.78
Stage 5	-22.3	5.4
Stage 5	-22.5	5.04
Stage 5	-22.7	4.68
Stage 5	-22.9	4.33
Stage 5	-23.1	3.99
Stage 5	-23.3	3.66
Stage 5	-23.5	3.34
Stage 5	-23.7	3.03
Stage 5	-23.9	2.74
Stage 5	-24.1	2.46
Stage 5	-24.3	2.19
Stage 5	-24.5	1.93
Stage 5	-24.7	1.69
Stage 5	-24.9	1.46
Stage 5	-25.1	1.24
Stage 5	-25.3	1.04
Stage 5	-25.5	0.84
Stage 5	-25.7	0.65
Stage 5	-25.9	0.47
Stage 5	-26.1	0.3
Stage 5	-26.3	0.13
Stage 5	-26.5	-0.04
Stage 5	-26.7	-0.2
Stage 5	-26.9	-0.36
Stage 5	-27.1	-0.51
Stage 5	-27.3	-0.67
Stage 5	-27.5	-0.83

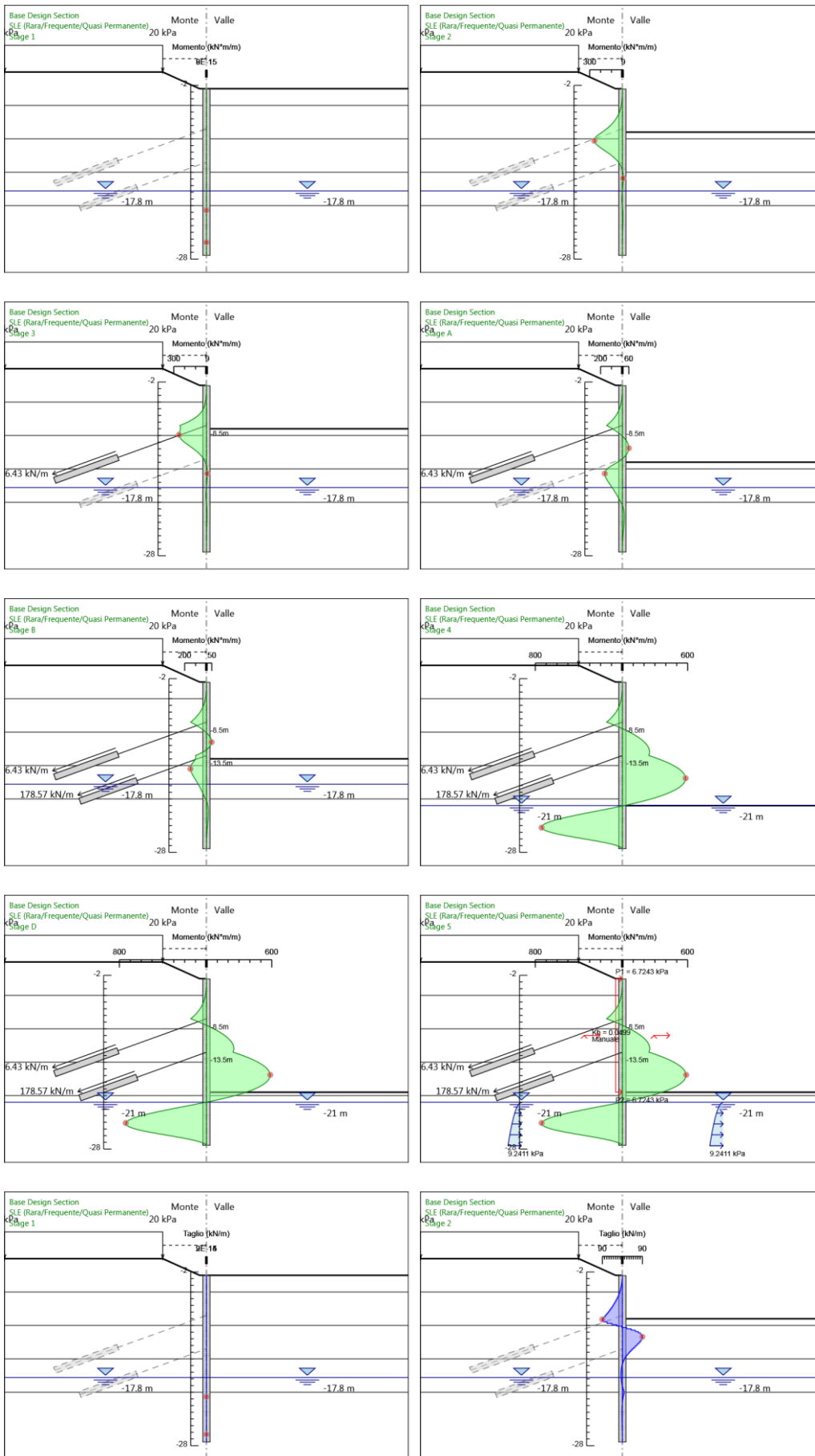
Tabella Risultati Paratia SLE (Rara/Frequente/Quasi Permanente) - Left Wall - Stage: Stage 5

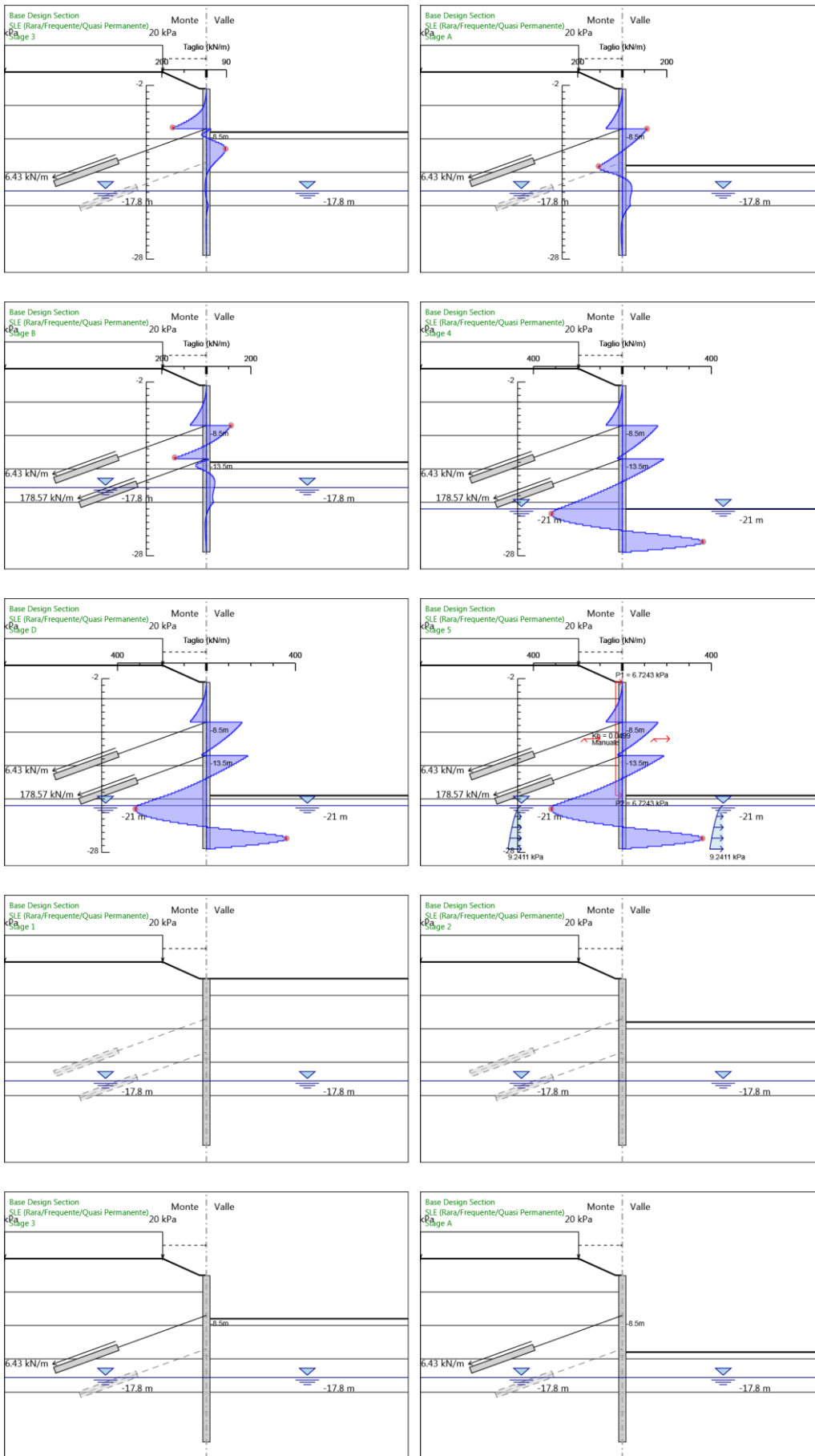
Design Assumption: SLE (Rara/Frequente/Quasi Permanente) Risultati Paratia		Muro: LEFT	
Stage	Z (m)	Momento (kN*m/m)	Taglio (kN/m)
Stage 5	-2.5	0	0
Stage 5	-2.7	0	0
Stage 5	-2.7	0	0
Stage 5	-2.9	-0.03	-0.14
Stage 5	-3.1	-0.11	-0.42
Stage 5	-3.3	-0.28	-0.84
Stage 5	-3.5	-0.56	-1.4
Stage 5	-3.7	-0.98	-2.1
Stage 5	-3.9	-1.57	-2.95
Stage 5	-4.1	-2.36	-3.95
Stage 5	-4.3	-3.38	-5.1
Stage 5	-4.5	-4.66	-6.41
Stage 5	-4.7	-6.24	-7.87
Stage 5	-4.9	-8.14	-9.49
Stage 5	-5.1	-10.39	-11.27
Stage 5	-5.3	-13.08	-13.46
Stage 5	-5.5	-16.25	-15.84
Stage 5	-5.7	-19.92	-18.38
Stage 5	-5.9	-24.15	-21.1
Stage 5	-6.1	-28.94	-24
Stage 5	-6.3	-34.36	-27.07
Stage 5	-6.5	-40.42	-30.31
Stage 5	-6.7	-47.17	-33.74
Stage 5	-6.9	-54.63	-37.33
Stage 5	-7.1	-62.85	-41.1
Stage 5	-7.3	-71.86	-45.04
Stage 5	-7.5	-81.69	-49.16
Stage 5	-7.7	-92.38	-53.44
Stage 5	-7.9	-103.96	-57.91
Stage 5	-8.1	-116.47	-62.54
Stage 5	-8.3	-129.94	-67.35
Stage 5	-8.5	-144.4	-72.32
Stage 5	-8.7	-112.5	159.54
Stage 5	-8.9	-81.65	154.22
Stage 5	-9.1	-51.91	148.72
Stage 5	-9.3	-23.3	143.06
Stage 5	-9.5	4.15	137.22
Stage 5	-9.7	30.39	131.21
Stage 5	-9.9	55.4	125.03
Stage 5	-10.1	79.13	118.68
Stage 5	-10.3	101.5	111.83
Stage 5	-10.5	122.46	104.8
Stage 5	-10.7	141.98	97.6
Stage 5	-10.9	160.03	90.24
Stage 5	-11.1	176.57	82.7
Stage 5	-11.3	191.56	74.99
Stage 5	-11.5	204.99	67.11
Stage 5	-11.7	216.8	59.06
Stage 5	-11.9	226.97	50.84
Stage 5	-12.1	235.46	42.47
Stage 5	-12.3	242.24	33.92
Stage 5	-12.5	247.28	25.2
Stage 5	-12.7	250.55	16.31
Stage 5	-12.9	252	7.25
Stage 5	-13.1	251.6	-1.97
Stage 5	-13.3	249.33	-11.36
Stage 5	-13.5	245.15	-20.91
Stage 5	-13.7	282.3	185.77
Stage 5	-13.9	317.48	175.89
Stage 5	-14.1	350.65	165.85
Stage 5	-14.3	381.78	155.64
Stage 5	-14.5	410.83	145.28
Stage 5	-14.7	437.78	134.74
Stage 5	-14.9	462.59	124.05
Stage 5	-15.1	485.23	113.2
Stage 5	-15.3	505.68	102.24
Stage 5	-15.5	523.9	91.11

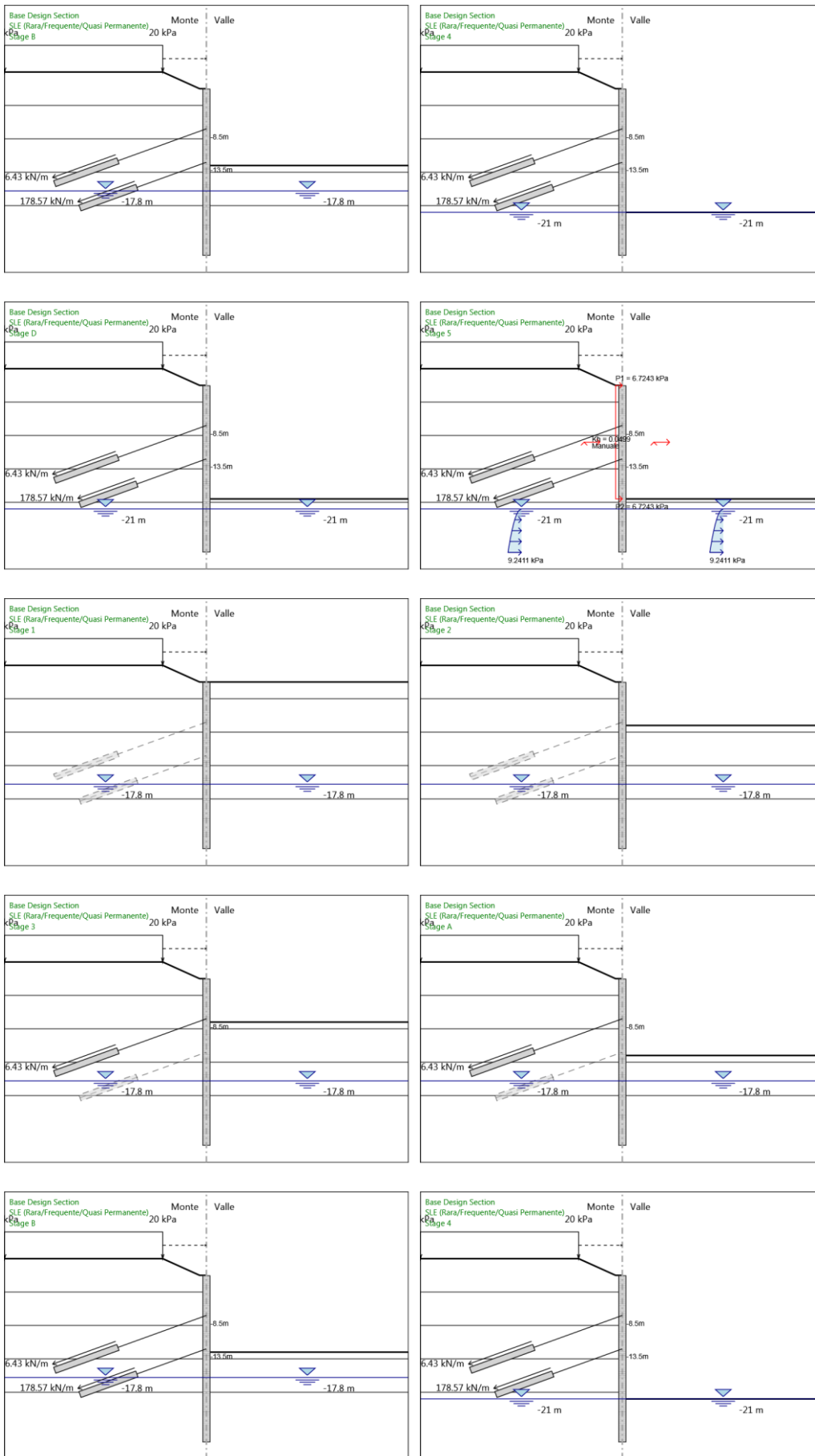
Design Assumption: SLE (Rara/Frequente/Quasi Permanente) Risultati Paratia		Muro: LEFT	
Stage	Z (m)	Momento (kN*m/m)	Taglio (kN/m)
Stage 5	-15.7	539.87	79.82
Stage 5	-15.9	553.54	68.35
Stage 5	-16.1	564.88	56.72
Stage 5	-16.3	573.86	44.91
Stage 5	-16.5	580.45	32.95
Stage 5	-16.7	584.61	20.81
Stage 5	-16.9	586.31	8.5
Stage 5	-17.1	585.52	-3.97
Stage 5	-17.3	582.2	-16.61
Stage 5	-17.5	576.31	-29.42
Stage 5	-17.7	567.83	-42.39
Stage 5	-17.9	556.73	-55.53
Stage 5	-18.1	542.96	-68.83
Stage 5	-18.3	526.48	-82.42
Stage 5	-18.5	507.18	-96.48
Stage 5	-18.7	484.98	-111
Stage 5	-18.9	459.78	-126
Stage 5	-19.1	431.49	-141.47
Stage 5	-19.3	400	-157.44
Stage 5	-19.5	365.22	-173.89
Stage 5	-19.7	327.05	-190.84
Stage 5	-19.9	285.43	-208.11
Stage 5	-20.1	240.28	-225.73
Stage 5	-20.3	191.73	-242.75
Stage 5	-20.5	139.78	-259.74
Stage 5	-20.7	84.46	-276.61
Stage 5	-20.9	25.8	-293.32
Stage 5	-21.1	-36.18	-309.88
Stage 5	-21.3	-99.28	-315.48
Stage 5	-21.5	-163.06	-318.91
Stage 5	-21.7	-226.94	-319.42
Stage 5	-21.9	-290.28	-316.71
Stage 5	-22.1	-352.4	-310.58
Stage 5	-22.3	-412.58	-300.88
Stage 5	-22.5	-470.08	-287.52
Stage 5	-22.7	-524.16	-270.4
Stage 5	-22.9	-574.05	-249.44
Stage 5	-23.1	-618.97	-224.6
Stage 5	-23.3	-658.13	-195.81
Stage 5	-23.5	-690.74	-163.05
Stage 5	-23.7	-715.99	-126.26
Stage 5	-23.9	-733.16	-85.84
Stage 5	-24.1	-741.66	-42.46
Stage 5	-24.3	-740.74	4.56
Stage 5	-24.5	-729.58	55.83
Stage 5	-24.7	-707.31	111.34
Stage 5	-24.9	-674.12	165.93
Stage 5	-25.1	-630.64	217.43
Stage 5	-25.3	-577.44	266
Stage 5	-25.5	-515.17	311.32
Stage 5	-25.7	-446.65	342.6
Stage 5	-25.9	-374.93	358.58
Stage 5	-26.1	-302.95	359.89
Stage 5	-26.3	-233.54	347.07
Stage 5	-26.5	-169.43	320.55
Stage 5	-26.7	-113.05	281.88
Stage 5	-26.9	-66.18	234.37
Stage 5	-27.1	-30.56	178.11
Stage 5	-27.3	-7.92	113.19
Stage 5	-27.5	0	39.61

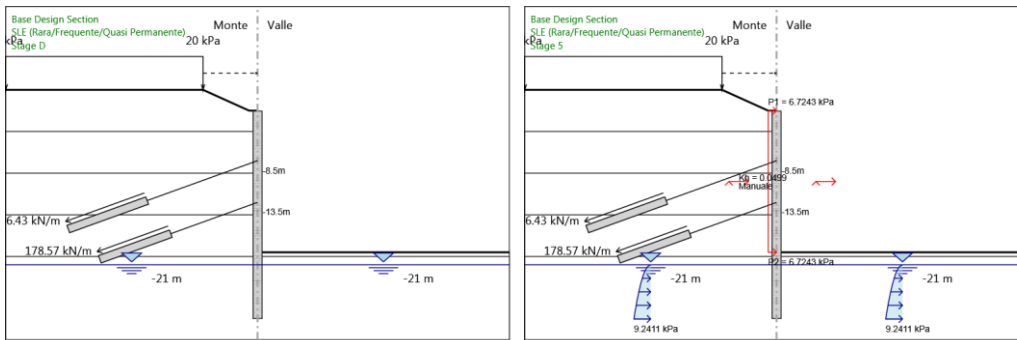
Tabella Grafici dei Risultati











Risultati Elementi strutturali - SLE (Rara/Frequente/Quasi Permanente)

Design Assumption: SLE (Rara/Frequente/Quasi Permanente) Sollecitazione Tieback

Stage	Forza (kN/m)
Stage 3	196.4
Stage A	199.8203
Stage B	199.9512
Stage 4	251.7509
Stage D	252.2231
Stage 5	252.2231

Design Assumption: SLE (Rara/Frequente/Quasi Permanente) Sollecitazione Tieback_New

Stage	Forza (kN/m)
Stage B	178.6
Stage 4	230.0047
Stage D	230.2677
Stage 5	230.2682

Risultati A1+M1+R1 (R3 per tiranti)

Tabella Risultati Paratia A1+M1+R1 (R3 per tiranti) - Left Wall - Stage: Stage 1

Design Assumption: A1+M1+R1 (R3 per tiranti) Risultati Paratia		Muro: LEFT	
Stage	Z (m)	Momento (kN*m/m)	Taglio (kN/m)
Stage 1	-2.5	0	0
Stage 1	-2.7	0	0
Stage 1	-2.9	0	0
Stage 1	-3.1	0	0
Stage 1	-3.3	0	0
Stage 1	-3.5	0	0
Stage 1	-3.7	0	0
Stage 1	-3.9	0	0
Stage 1	-4.1	0	0
Stage 1	-4.3	0	0
Stage 1	-4.5	0	0
Stage 1	-4.7	0	0
Stage 1	-4.9	0	0
Stage 1	-5.1	0	0
Stage 1	-5.3	0	0
Stage 1	-5.5	0	0
Stage 1	-5.7	0	0
Stage 1	-5.9	0	0
Stage 1	-6.1	0	0
Stage 1	-6.3	0	0
Stage 1	-6.5	0	0
Stage 1	-6.7	0	0
Stage 1	-6.9	0	0
Stage 1	-7.1	0	0
Stage 1	-7.3	0	0
Stage 1	-7.5	0	0
Stage 1	-7.7	0	0
Stage 1	-7.9	0	0
Stage 1	-8.1	0	0
Stage 1	-8.3	0	0
Stage 1	-8.5	0	0
Stage 1	-8.7	0	0
Stage 1	-8.9	0	0
Stage 1	-9.1	0	0
Stage 1	-9.3	0	0
Stage 1	-9.5	0	0
Stage 1	-9.7	0	0
Stage 1	-9.9	0	0
Stage 1	-10.1	0	0
Stage 1	-10.3	0	0
Stage 1	-10.5	0	0
Stage 1	-10.7	0	0
Stage 1	-10.9	0	0
Stage 1	-11.1	0	0
Stage 1	-11.3	0	0
Stage 1	-11.5	0	0
Stage 1	-11.7	0	0
Stage 1	-11.9	0	0
Stage 1	-12.1	0	0
Stage 1	-12.3	0	0
Stage 1	-12.5	0	0
Stage 1	-12.7	0	0
Stage 1	-12.9	0	0
Stage 1	-13.1	0	0
Stage 1	-13.3	0	0
Stage 1	-13.5	0	0
Stage 1	-13.7	0	0
Stage 1	-13.9	0	0
Stage 1	-14.1	0	0
Stage 1	-14.3	0	0
Stage 1	-14.5	0	0
Stage 1	-14.7	0	0
Stage 1	-14.9	0	0
Stage 1	-15.1	0	0

Design Assumption: A1+M1+R1 (R3 per tiranti) Risultati Paratia		Muro: LEFT	
Stage	Z (m)	Momento (kN*m/m)	Taglio (kN/m)
Stage 1	-15.3	0	0
Stage 1	-15.5	0	0
Stage 1	-15.7	0	0
Stage 1	-15.9	0	0
Stage 1	-16.1	0	0
Stage 1	-16.3	0	0
Stage 1	-16.5	0	0
Stage 1	-16.7	0	0
Stage 1	-16.9	0	0
Stage 1	-17.1	0	0
Stage 1	-17.3	0	0
Stage 1	-17.5	0	0
Stage 1	-17.7	0	0
Stage 1	-17.9	0	0
Stage 1	-18.1	0	0
Stage 1	-18.3	0	0
Stage 1	-18.5	0	0
Stage 1	-18.7	0	0
Stage 1	-18.9	0	0
Stage 1	-19.1	0	0
Stage 1	-19.3	0	0
Stage 1	-19.5	0	0
Stage 1	-19.7	0	0
Stage 1	-19.9	0	0
Stage 1	-20.1	0	0
Stage 1	-20.3	0	0
Stage 1	-20.5	0	0
Stage 1	-20.7	0	0
Stage 1	-20.9	0	0
Stage 1	-21.1	0	0
Stage 1	-21.3	0	0
Stage 1	-21.5	0	0
Stage 1	-21.7	0	0
Stage 1	-21.9	0	0
Stage 1	-22.1	0	0
Stage 1	-22.3	0	0
Stage 1	-22.5	0	0
Stage 1	-22.7	0	0
Stage 1	-22.9	0	0
Stage 1	-23.1	0	0
Stage 1	-23.3	0	0
Stage 1	-23.5	0	0
Stage 1	-23.7	0	0
Stage 1	-23.9	0	0
Stage 1	-24.1	0	0
Stage 1	-24.3	0	0
Stage 1	-24.5	0	0
Stage 1	-24.7	0	0
Stage 1	-24.9	0	0
Stage 1	-25.1	0	0
Stage 1	-25.3	0	0
Stage 1	-25.5	0	0
Stage 1	-25.7	0	0
Stage 1	-25.9	0	0
Stage 1	-26.1	0	0
Stage 1	-26.3	0	0
Stage 1	-26.5	0	0
Stage 1	-26.7	0	0
Stage 1	-26.9	0	0
Stage 1	-27.1	0	0
Stage 1	-27.3	0	0
Stage 1	-27.5	0	0

Tabella Risultati Paratia A1+M1+R1 (R3 per tiranti) - Left Wall - Stage: Stage 2

Design Assumption: A1+M1+R1 (R3 per tiranti) Risultati Paratia		Muro: LEFT	
Stage	Z (m)	Momento (kN*m/m)	Taglio (kN/m)
Stage 2	-2.5	0	0
Stage 2	-2.7	0	0
Stage 2	-2.7	0	0
Stage 2	-2.9	-0.04	-0.19
Stage 2	-3.1	-0.15	-0.55
Stage 2	-3.3	-0.37	-1.1
Stage 2	-3.5	-0.73	-1.83
Stage 2	-3.7	-1.28	-2.74
Stage 2	-3.9	-2.05	-3.85
Stage 2	-4.1	-3.08	-5.15
Stage 2	-4.3	-4.41	-6.66
Stage 2	-4.5	-6.09	-8.36
Stage 2	-4.7	-8.14	-10.27
Stage 2	-4.9	-10.61	-12.38
Stage 2	-5.1	-13.55	-14.7
Stage 2	-5.3	-17.06	-17.56
Stage 2	-5.5	-21.19	-20.65
Stage 2	-5.7	-25.99	-23.96
Stage 2	-5.9	-31.49	-27.51
Stage 2	-6.1	-37.75	-31.28
Stage 2	-6.3	-44.8	-35.29
Stage 2	-6.5	-52.71	-39.52
Stage 2	-6.7	-61.5	-43.98
Stage 2	-6.9	-71.24	-48.66
Stage 2	-7.1	-81.95	-53.58
Stage 2	-7.3	-93.69	-58.71
Stage 2	-7.5	-106.51	-64.08
Stage 2	-7.7	-120.44	-69.67
Stage 2	-7.9	-135.54	-75.49
Stage 2	-8.1	-151.85	-81.52
Stage 2	-8.3	-169.4	-87.79
Stage 2	-8.5	-188.26	-94.27
Stage 2	-8.7	-208.46	-100.99
Stage 2	-8.9	-230.04	-107.92
Stage 2	-9.1	-253.06	-115.09
Stage 2	-9.3	-276.49	-117.13
Stage 2	-9.5	-298.22	-108.69
Stage 2	-9.7	-316.17	-89.76
Stage 2	-9.9	-328.32	-60.74
Stage 2	-10.1	-334.93	-33.05
Stage 2	-10.3	-335.55	-3.09
Stage 2	-10.5	-330.46	25.46
Stage 2	-10.7	-320	52.32
Stage 2	-10.9	-304.79	76.04
Stage 2	-11.1	-286.08	93.53
Stage 2	-11.3	-264.96	105.64
Stage 2	-11.5	-242.32	113.16
Stage 2	-11.7	-218.96	116.82
Stage 2	-11.9	-195.5	117.28
Stage 2	-12.1	-172.47	115.17
Stage 2	-12.3	-150.26	111.03
Stage 2	-12.5	-129.2	105.34
Stage 2	-12.7	-109.49	98.5
Stage 2	-12.9	-91.31	90.9
Stage 2	-13.1	-74.75	82.82
Stage 2	-13.3	-59.84	74.53
Stage 2	-13.5	-46.6	66.24
Stage 2	-13.7	-34.98	58.09
Stage 2	-13.9	-24.93	50.24
Stage 2	-14.1	-16.38	42.76
Stage 2	-14.3	-9.23	35.74
Stage 2	-14.5	-3.39	29.2
Stage 2	-14.7	1.25	23.19
Stage 2	-14.9	4.79	17.69
Stage 2	-15.1	7.33	12.71
Stage 2	-15.3	9.1	8.85
Stage 2	-15.5	10.2	5.5

Design Assumption: A1+M1+R1 (R3 per tiranti) Risultati Paratia		Muro: LEFT	
Stage	Z (m)	Momento (kN*m/m)	Taglio (kN/m)
Stage 2	-15.7	10.72	2.61
Stage 2	-15.9	10.76	0.17
Stage 2	-16.1	10.38	-1.87
Stage 2	-16.3	9.67	-3.54
Stage 2	-16.5	8.7	-4.87
Stage 2	-16.7	7.52	-5.89
Stage 2	-16.9	6.19	-6.64
Stage 2	-17.1	4.77	-7.13
Stage 2	-17.3	3.29	-7.39
Stage 2	-17.5	1.81	-7.42
Stage 2	-17.7	0.36	-7.25
Stage 2	-17.9	-1.02	-6.88
Stage 2	-18.1	-2.28	-6.32
Stage 2	-18.3	-3.4	-5.58
Stage 2	-18.5	-4.33	-4.64
Stage 2	-18.7	-5.03	-3.5
Stage 2	-18.9	-5.46	-2.15
Stage 2	-19.1	-5.57	-0.57
Stage 2	-19.3	-5.32	1.25
Stage 2	-19.5	-4.65	3.34
Stage 2	-19.7	-3.52	5.7
Stage 2	-19.9	-1.84	8.35
Stage 2	-20.1	0.42	11.3
Stage 2	-20.3	2.25	9.17
Stage 2	-20.5	3.7	7.26
Stage 2	-20.7	4.81	5.57
Stage 2	-20.9	5.63	4.08
Stage 2	-21.1	6.19	2.79
Stage 2	-21.3	6.53	1.69
Stage 2	-21.5	6.68	0.76
Stage 2	-21.7	6.68	-0.01
Stage 2	-21.9	6.55	-0.64
Stage 2	-22.1	6.32	-1.14
Stage 2	-22.3	6.02	-1.53
Stage 2	-22.5	5.65	-1.81
Stage 2	-22.7	5.25	-2.01
Stage 2	-22.9	4.83	-2.13
Stage 2	-23.1	4.39	-2.19
Stage 2	-23.3	3.95	-2.2
Stage 2	-23.5	3.52	-2.16
Stage 2	-23.7	3.1	-2.08
Stage 2	-23.9	2.7	-1.98
Stage 2	-24.1	2.33	-1.86
Stage 2	-24.3	1.99	-1.72
Stage 2	-24.5	1.67	-1.57
Stage 2	-24.7	1.39	-1.42
Stage 2	-24.9	1.14	-1.27
Stage 2	-25.1	0.91	-1.12
Stage 2	-25.3	0.72	-0.97
Stage 2	-25.5	0.55	-0.83
Stage 2	-25.7	0.41	-0.69
Stage 2	-25.9	0.3	-0.57
Stage 2	-26.1	0.21	-0.46
Stage 2	-26.3	0.14	-0.36
Stage 2	-26.5	0.08	-0.27
Stage 2	-26.7	0.05	-0.19
Stage 2	-26.9	0.02	-0.12
Stage 2	-27.1	0.01	-0.07
Stage 2	-27.3	0	-0.03
Stage 2	-27.5	0	-0.01

Tabella Risultati Paratia A1+M1+R1 (R3 per tiranti) - Left Wall - Stage: Stage 3

Design Assumption: A1+M1+R1 (R3 per tiranti) Risultati Paratia		Muro: LEFT	
Stage	Z (m)	Momento (kN*m/m)	Taglio (kN/m)
Stage 3	-2.5	0	0
Stage 3	-2.7	0	0
Stage 3	-2.7	0	0
Stage 3	-2.9	-0.04	-0.19
Stage 3	-3.1	-0.15	-0.55
Stage 3	-3.3	-0.37	-1.1
Stage 3	-3.5	-0.73	-1.83
Stage 3	-3.7	-1.28	-2.74
Stage 3	-3.9	-2.05	-3.85
Stage 3	-4.1	-3.08	-5.15
Stage 3	-4.3	-4.41	-6.66
Stage 3	-4.5	-6.09	-8.36
Stage 3	-4.7	-8.14	-10.27
Stage 3	-4.9	-10.61	-12.38
Stage 3	-5.1	-13.55	-14.7
Stage 3	-5.3	-17.09	-17.67
Stage 3	-5.5	-21.43	-21.68
Stage 3	-5.7	-26.77	-26.71
Stage 3	-5.9	-33.32	-32.77
Stage 3	-6.1	-41.29	-39.85
Stage 3	-6.3	-50.88	-47.95
Stage 3	-6.5	-62.29	-57.06
Stage 3	-6.7	-75.73	-67.18
Stage 3	-6.9	-91.38	-78.28
Stage 3	-7.1	-109.45	-90.35
Stage 3	-7.3	-130.12	-103.34
Stage 3	-7.5	-153.57	-117.23
Stage 3	-7.7	-179.95	-131.93
Stage 3	-7.9	-209.43	-147.39
Stage 3	-8.1	-242.13	-163.49
Stage 3	-8.3	-278.16	-180.14
Stage 3	-8.5	-317.59	-197.16
Stage 3	-8.7	-312.49	25.52
Stage 3	-8.9	-310.83	8.27
Stage 3	-9.1	-312.6	-8.84
Stage 3	-9.3	-317.47	-24.33
Stage 3	-9.5	-323.16	-28.48
Stage 3	-9.7	-327.4	-21.18
Stage 3	-9.9	-327.95	-2.78
Stage 3	-10.1	-324.88	15.33
Stage 3	-10.3	-317.94	34.72
Stage 3	-10.5	-307.15	53.97
Stage 3	-10.7	-292.6	72.74
Stage 3	-10.9	-274.69	89.52
Stage 3	-11.1	-254.46	101.15
Stage 3	-11.3	-232.78	108.39
Stage 3	-11.5	-210.4	111.93
Stage 3	-11.7	-187.92	112.41
Stage 3	-11.9	-165.83	110.43
Stage 3	-12.1	-144.53	106.49
Stage 3	-12.3	-124.32	101.07
Stage 3	-12.5	-105.41	94.55
Stage 3	-12.7	-87.95	87.29
Stage 3	-12.9	-72.03	79.58
Stage 3	-13.1	-57.7	71.67
Stage 3	-13.3	-44.95	63.74
Stage 3	-13.5	-33.76	55.97
Stage 3	-13.7	-24.07	48.46
Stage 3	-13.9	-15.8	41.32
Stage 3	-14.1	-8.88	34.61
Stage 3	-14.3	-3.2	28.37
Stage 3	-14.5	1.32	22.63
Stage 3	-14.7	4.8	17.38
Stage 3	-14.9	7.32	12.62
Stage 3	-15.1	8.99	8.34
Stage 3	-15.3	10.02	5.17
Stage 3	-15.5	10.51	2.45

Design Assumption: A1+M1+R1 (R3 per tiranti) Risultati Paratia		Muro: LEFT	
Stage	Z (m)	Momento (kN*m/m)	Taglio (kN/m)
Stage 3	-15.7	10.54	0.14
Stage 3	-15.9	10.18	-1.8
Stage 3	-16.1	9.5	-3.38
Stage 3	-16.3	8.57	-4.65
Stage 3	-16.5	7.45	-5.64
Stage 3	-16.7	6.17	-6.37
Stage 3	-16.9	4.8	-6.87
Stage 3	-17.1	3.37	-7.16
Stage 3	-17.3	1.91	-7.26
Stage 3	-17.5	0.48	-7.17
Stage 3	-17.7	-0.9	-6.9
Stage 3	-17.9	-2.19	-6.46
Stage 3	-18.1	-3.37	-5.86
Stage 3	-18.3	-4.38	-5.09
Stage 3	-18.5	-5.21	-4.14
Stage 3	-18.7	-5.81	-3.01
Stage 3	-18.9	-6.15	-1.67
Stage 3	-19.1	-6.17	-0.11
Stage 3	-19.3	-5.83	1.68
Stage 3	-19.5	-5.09	3.73
Stage 3	-19.7	-3.87	6.06
Stage 3	-19.9	-2.14	8.67
Stage 3	-20.1	0.17	11.58
Stage 3	-20.3	2.06	9.42
Stage 3	-20.5	3.55	7.48
Stage 3	-20.7	4.71	5.76
Stage 3	-20.9	5.56	4.25
Stage 3	-21.1	6.14	2.94
Stage 3	-21.3	6.51	1.81
Stage 3	-21.5	6.68	0.86
Stage 3	-21.7	6.69	0.07
Stage 3	-21.9	6.58	-0.58
Stage 3	-22.1	6.36	-1.09
Stage 3	-22.3	6.06	-1.49
Stage 3	-22.5	5.71	-1.79
Stage 3	-22.7	5.31	-1.99
Stage 3	-22.9	4.88	-2.13
Stage 3	-23.1	4.44	-2.19
Stage 3	-23.3	4	-2.2
Stage 3	-23.5	3.57	-2.17
Stage 3	-23.7	3.15	-2.1
Stage 3	-23.9	2.75	-2
Stage 3	-24.1	2.38	-1.88
Stage 3	-24.3	2.03	-1.74
Stage 3	-24.5	1.71	-1.59
Stage 3	-24.7	1.42	-1.44
Stage 3	-24.9	1.16	-1.29
Stage 3	-25.1	0.94	-1.14
Stage 3	-25.3	0.74	-0.99
Stage 3	-25.5	0.57	-0.84
Stage 3	-25.7	0.43	-0.71
Stage 3	-25.9	0.31	-0.59
Stage 3	-26.1	0.22	-0.47
Stage 3	-26.3	0.14	-0.37
Stage 3	-26.5	0.09	-0.28
Stage 3	-26.7	0.05	-0.2
Stage 3	-26.9	0.02	-0.13
Stage 3	-27.1	0.01	-0.08
Stage 3	-27.3	0	-0.04
Stage 3	-27.5	0	-0.01

Tabella Risultati Paratia A1+M1+R1 (R3 per tiranti) - Left Wall - Stage: Stage A

Design Assumption: A1+M1+R1 (R3 per tiranti) Risultati Paratia		Muro: LEFT	
Stage	Z (m)	Momento (kN*m/m)	Taglio (kN/m)
Stage A	-2.5	0	0
Stage A	-2.7	0	0
Stage A	-2.9	-0.04	-0.19
Stage A	-3.1	-0.15	-0.55
Stage A	-3.3	-0.37	-1.1
Stage A	-3.5	-0.73	-1.83
Stage A	-3.7	-1.28	-2.74
Stage A	-3.9	-2.05	-3.85
Stage A	-4.1	-3.08	-5.15
Stage A	-4.3	-4.41	-6.66
Stage A	-4.5	-6.09	-8.36
Stage A	-4.7	-8.14	-10.27
Stage A	-4.9	-10.61	-12.38
Stage A	-5.1	-13.55	-14.7
Stage A	-5.3	-17.06	-17.56
Stage A	-5.5	-21.19	-20.65
Stage A	-5.7	-25.99	-23.96
Stage A	-5.9	-31.49	-27.51
Stage A	-6.1	-37.75	-31.28
Stage A	-6.3	-44.8	-35.29
Stage A	-6.5	-52.71	-39.52
Stage A	-6.7	-61.5	-43.98
Stage A	-6.9	-71.24	-48.66
Stage A	-7.1	-81.95	-53.58
Stage A	-7.3	-93.69	-58.71
Stage A	-7.5	-106.51	-64.08
Stage A	-7.7	-120.44	-69.67
Stage A	-7.9	-135.54	-75.49
Stage A	-8.1	-151.85	-81.52
Stage A	-8.3	-169.4	-87.79
Stage A	-8.5	-188.26	-94.27
Stage A	-8.7	-159.6	143.29
Stage A	-8.9	-132.33	136.36
Stage A	-9.1	-106.49	129.18
Stage A	-9.3	-82.14	121.79
Stage A	-9.5	-59.3	114.18
Stage A	-9.7	-38.03	106.35
Stage A	-9.9	-18.37	98.28
Stage A	-10.1	-0.37	90
Stage A	-10.3	15.84	81.06
Stage A	-10.5	30.22	71.9
Stage A	-10.7	42.72	62.5
Stage A	-10.9	53.3	52.89
Stage A	-11.1	61.91	43.05
Stage A	-11.3	68.51	33
Stage A	-11.5	73.05	22.71
Stage A	-11.7	75.49	12.21
Stage A	-11.9	75.79	1.48
Stage A	-12.1	73.89	-9.46
Stage A	-12.3	69.77	-20.62
Stage A	-12.5	63.37	-31.99
Stage A	-12.7	54.65	-43.59
Stage A	-12.9	43.57	-55.4
Stage A	-13.1	30.09	-67.44
Stage A	-13.3	14.15	-79.68
Stage A	-13.5	-4.28	-92.14
Stage A	-13.7	-25.24	-104.81
Stage A	-13.9	-48.78	-117.69
Stage A	-14.1	-74.94	-130.79
Stage A	-14.3	-102.79	-139.29
Stage A	-14.5	-130.46	-138.35
Stage A	-14.7	-156.06	-127.99
Stage A	-14.9	-177.7	-108.19
Stage A	-15.1	-194.22	-82.6
Stage A	-15.3	-205.43	-56.05
Stage A	-15.5	-211.79	-31.8
Stage A	-15.7	-214.03	-11.2

Design Assumption: A1+M1+R1 (R3 per tiranti) Risultati Paratia		Muro: LEFT	
Stage	Z (m)	Momento (kN*m/m)	Taglio (kN/m)
Stage A	-15.9	-212.83	6.01
Stage A	-16.1	-208.8	20.12
Stage A	-16.3	-202.52	31.43
Stage A	-16.5	-194.47	40.26
Stage A	-16.7	-185.09	46.88
Stage A	-16.9	-174.77	51.6
Stage A	-17.1	-163.83	54.7
Stage A	-17.3	-152.54	56.44
Stage A	-17.5	-141.13	57.07
Stage A	-17.7	-129.76	56.85
Stage A	-17.9	-118.56	55.98
Stage A	-18.1	-107.64	54.62
Stage A	-18.3	-97.05	52.94
Stage A	-18.5	-86.83	51.1
Stage A	-18.7	-76.97	49.28
Stage A	-18.9	-67.45	47.63
Stage A	-19.1	-58.19	46.28
Stage A	-19.3	-49.12	45.35
Stage A	-19.5	-40.13	44.95
Stage A	-19.7	-31.1	45.16
Stage A	-19.9	-21.89	46.05
Stage A	-20.1	-12.35	47.69
Stage A	-20.3	-4.25	40.5
Stage A	-20.5	2.53	33.9
Stage A	-20.7	8.11	27.89
Stage A	-20.9	12.6	22.47
Stage A	-21.1	16.13	17.63
Stage A	-21.3	18.79	13.33
Stage A	-21.5	20.7	9.55
Stage A	-21.7	21.96	6.27
Stage A	-21.9	22.65	3.44
Stage A	-22.1	22.86	1.04
Stage A	-22.3	22.66	-0.97
Stage A	-22.5	22.14	-2.63
Stage A	-22.7	21.34	-3.96
Stage A	-22.9	20.34	-5.01
Stage A	-23.1	19.18	-5.81
Stage A	-23.3	17.9	-6.38
Stage A	-23.5	16.55	-6.76
Stage A	-23.7	15.16	-6.97
Stage A	-23.9	13.75	-7.03
Stage A	-24.1	12.36	-6.97
Stage A	-24.3	11	-6.81
Stage A	-24.5	9.68	-6.57
Stage A	-24.7	8.43	-6.26
Stage A	-24.9	7.25	-5.9
Stage A	-25.1	6.15	-5.5
Stage A	-25.3	5.14	-5.07
Stage A	-25.5	4.22	-4.61
Stage A	-25.7	3.38	-4.15
Stage A	-25.9	2.65	-3.68
Stage A	-26.1	2.01	-3.21
Stage A	-26.3	1.46	-2.75
Stage A	-26.5	1	-2.29
Stage A	-26.7	0.63	-1.84
Stage A	-26.9	0.35	-1.41
Stage A	-27.1	0.15	-0.98
Stage A	-27.3	0.04	-0.58
Stage A	-27.5	0	-0.19

Tabella Risultati Paratia A1+M1+R1 (R3 per tiranti) - Left Wall - Stage: Stage B

Design Assumption: A1+M1+R1 (R3 per tiranti) Risultati Paratia		Muro: LEFT	
Stage	Z (m)	Momento (kN*m/m)	Taglio (kN/m)
Stage B	-2.5	0	0
Stage B	-2.7	0	0
Stage B	-2.7	0	0
Stage B	-2.9	-0.04	-0.19
Stage B	-3.1	-0.15	-0.55
Stage B	-3.3	-0.37	-1.1
Stage B	-3.5	-0.73	-1.83
Stage B	-3.7	-1.28	-2.74
Stage B	-3.9	-2.05	-3.85
Stage B	-4.1	-3.08	-5.15
Stage B	-4.3	-4.41	-6.66
Stage B	-4.5	-6.09	-8.36
Stage B	-4.7	-8.14	-10.27
Stage B	-4.9	-10.61	-12.38
Stage B	-5.1	-13.55	-14.7
Stage B	-5.3	-17.06	-17.56
Stage B	-5.5	-21.19	-20.65
Stage B	-5.7	-25.99	-23.96
Stage B	-5.9	-31.49	-27.51
Stage B	-6.1	-37.75	-31.28
Stage B	-6.3	-44.8	-35.29
Stage B	-6.5	-52.71	-39.52
Stage B	-6.7	-61.5	-43.98
Stage B	-6.9	-71.24	-48.66
Stage B	-7.1	-81.95	-53.58
Stage B	-7.3	-93.69	-58.71
Stage B	-7.5	-106.51	-64.08
Stage B	-7.7	-120.44	-69.67
Stage B	-7.9	-135.54	-75.49
Stage B	-8.1	-151.85	-81.52
Stage B	-8.3	-169.4	-87.79
Stage B	-8.5	-188.26	-94.27
Stage B	-8.7	-159.57	143.45
Stage B	-8.9	-132.27	136.52
Stage B	-9.1	-106.4	129.34
Stage B	-9.3	-82.01	121.95
Stage B	-9.5	-59.14	114.34
Stage B	-9.7	-37.84	106.51
Stage B	-9.9	-18.14	98.51
Stage B	-10.1	-0.17	89.81
Stage B	-10.3	15.78	79.75
Stage B	-10.5	29.55	68.88
Stage B	-10.7	40.99	57.17
Stage B	-10.9	49.92	44.66
Stage B	-11.1	56.18	31.31
Stage B	-11.3	59.61	17.16
Stage B	-11.5	60.05	2.2
Stage B	-11.7	57.34	-13.56
Stage B	-11.9	51.32	-30.11
Stage B	-12.1	41.84	-47.4
Stage B	-12.3	28.75	-65.43
Stage B	-12.5	11.92	-84.14
Stage B	-12.7	-8.78	-103.52
Stage B	-12.9	-33.48	-123.48
Stage B	-13.1	-62.27	-143.97
Stage B	-13.3	-95.25	-164.88
Stage B	-13.5	-132.47	-186.12
Stage B	-13.7	-130.35	10.62
Stage B	-13.9	-132.53	-10.9
Stage B	-14.1	-139	-32.37
Stage B	-14.3	-149.5	-52.49
Stage B	-14.5	-162.01	-62.55
Stage B	-14.7	-174.51	-62.5
Stage B	-14.9	-184.96	-52.27
Stage B	-15.1	-192.06	-35.48
Stage B	-15.3	-195.53	-17.35
Stage B	-15.5	-195.67	-0.7

Design Assumption: A1+M1+R1 (R3 per tiranti) Risultati Paratia		Muro: LEFT	
Stage	Z (m)	Momento (kN*m/m)	Taglio (kN/m)
Stage B	-15.7	-193.05	13.1
Stage B	-15.9	-188.19	24.29
Stage B	-16.1	-181.56	33.12
Stage B	-16.3	-173.59	39.87
Stage B	-16.5	-164.64	44.78
Stage B	-16.7	-155.02	48.1
Stage B	-16.9	-145	50.07
Stage B	-17.1	-134.82	50.93
Stage B	-17.3	-124.64	50.88
Stage B	-17.5	-114.61	50.14
Stage B	-17.7	-104.83	48.9
Stage B	-17.9	-95.36	47.33
Stage B	-18.1	-86.25	45.55
Stage B	-18.3	-77.52	43.67
Stage B	-18.5	-69.15	41.84
Stage B	-18.7	-61.11	40.2
Stage B	-18.9	-53.34	38.85
Stage B	-19.1	-45.76	37.91
Stage B	-19.3	-38.26	37.48
Stage B	-19.5	-30.74	37.64
Stage B	-19.7	-23.04	38.46
Stage B	-19.9	-15.05	39.99
Stage B	-20.1	-6.59	42.27
Stage B	-20.3	0.52	35.55
Stage B	-20.5	6.4	29.41
Stage B	-20.7	11.17	23.86
Stage B	-20.9	14.95	18.88
Stage B	-21.1	17.84	14.45
Stage B	-21.3	19.95	10.55
Stage B	-21.5	21.38	7.15
Stage B	-21.7	22.22	4.21
Stage B	-21.9	22.56	1.71
Stage B	-22.1	22.49	-0.39
Stage B	-22.3	22.06	-2.13
Stage B	-22.5	21.35	-3.55
Stage B	-22.7	20.42	-4.66
Stage B	-22.9	19.31	-5.52
Stage B	-23.1	18.08	-6.14
Stage B	-23.3	16.77	-6.56
Stage B	-23.5	15.41	-6.81
Stage B	-23.7	14.03	-6.91
Stage B	-23.9	12.65	-6.88
Stage B	-24.1	11.31	-6.74
Stage B	-24.3	10	-6.52
Stage B	-24.5	8.76	-6.23
Stage B	-24.7	7.58	-5.88
Stage B	-24.9	6.48	-5.49
Stage B	-25.1	5.47	-5.08
Stage B	-25.3	4.54	-4.64
Stage B	-25.5	3.7	-4.19
Stage B	-25.7	2.95	-3.74
Stage B	-25.9	2.3	-3.29
Stage B	-26.1	1.73	-2.84
Stage B	-26.3	1.24	-2.41
Stage B	-26.5	0.85	-1.99
Stage B	-26.7	0.53	-1.58
Stage B	-26.9	0.29	-1.2
Stage B	-27.1	0.13	-0.83
Stage B	-27.3	0.03	-0.48
Stage B	-27.5	0	-0.15

Tabella Risultati Paratia A1+M1+R1 (R3 per tiranti) - Left Wall - Stage: Stage 4

Design Assumption: A1+M1+R1 (R3 per tiranti) Risultati Paratia		Muro: LEFT	
Stage	Z (m)	Momento (kN*m/m)	Taglio (kN/m)
Stage 4	-2.5	0	0
Stage 4	-2.7	0	0
Stage 4	-2.7	0	0
Stage 4	-2.9	-0.04	-0.19
Stage 4	-2.9	-0.04	-0.19
Stage 4	-3.1	-0.15	-0.55
Stage 4	-3.3	-0.37	-1.1
Stage 4	-3.5	-0.73	-1.83
Stage 4	-3.7	-1.28	-2.74
Stage 4	-3.9	-2.05	-3.85
Stage 4	-4.1	-3.08	-5.15
Stage 4	-4.3	-4.41	-6.66
Stage 4	-4.5	-6.09	-8.36
Stage 4	-4.7	-8.14	-10.27
Stage 4	-4.9	-10.61	-12.38
Stage 4	-5.1	-13.55	-14.7
Stage 4	-5.3	-17.06	-17.56
Stage 4	-5.5	-21.19	-20.65
Stage 4	-5.7	-25.99	-23.96
Stage 4	-5.9	-31.49	-27.51
Stage 4	-6.1	-37.75	-31.28
Stage 4	-6.3	-44.8	-35.29
Stage 4	-6.5	-52.71	-39.52
Stage 4	-6.7	-61.5	-43.98
Stage 4	-6.9	-71.24	-48.66
Stage 4	-7.1	-81.95	-53.58
Stage 4	-7.3	-93.69	-58.71
Stage 4	-7.5	-106.51	-64.08
Stage 4	-7.7	-120.44	-69.67
Stage 4	-7.9	-135.54	-75.49
Stage 4	-8.1	-151.85	-81.52
Stage 4	-8.3	-169.4	-87.79
Stage 4	-8.5	-188.26	-94.27
Stage 4	-8.7	-146.72	207.69
Stage 4	-8.9	-106.57	200.76
Stage 4	-9.1	-67.85	193.59
Stage 4	-9.3	-30.61	186.2
Stage 4	-9.5	5.11	178.58
Stage 4	-9.7	39.26	170.75
Stage 4	-9.9	71.79	162.69
Stage 4	-10.1	102.68	154.41
Stage 4	-10.3	131.77	145.47
Stage 4	-10.5	159.03	136.3
Stage 4	-10.7	184.41	126.9
Stage 4	-10.9	207.87	117.3
Stage 4	-11.1	229.36	107.46
Stage 4	-11.3	248.84	97.4
Stage 4	-11.5	266.27	87.12
Stage 4	-11.7	281.59	76.62
Stage 4	-11.9	294.77	65.88
Stage 4	-12.1	305.76	54.95
Stage 4	-12.3	314.51	43.79
Stage 4	-12.5	321	32.41
Stage 4	-12.7	325.16	20.81
Stage 4	-12.9	326.96	9
Stage 4	-13.1	326.35	-3.03
Stage 4	-13.3	323.3	-15.27
Stage 4	-13.5	317.75	-27.73
Stage 4	-13.7	366.04	241.45
Stage 4	-13.9	411.76	228.56
Stage 4	-14.1	454.85	215.47
Stage 4	-14.3	495.28	202.15
Stage 4	-14.5	533	188.62
Stage 4	-14.7	567.98	174.88
Stage 4	-14.9	600.17	160.94
Stage 4	-15.1	629.52	146.78
Stage 4	-15.3	656.02	132.49

Design Assumption: A1+M1+R1 (R3 per tiranti) Risultati Paratia		Muro: LEFT	
Stage	Z (m)	Momento (kN*m/m)	Taglio (kN/m)
Stage 4	-15.5	679.61	117.97
Stage 4	-15.7	700.26	103.23
Stage 4	-15.9	717.91	88.27
Stage 4	-16.1	732.53	73.1
Stage 4	-16.3	744.07	57.7
Stage 4	-16.5	752.49	42.09
Stage 4	-16.7	757.74	26.26
Stage 4	-16.9	759.78	10.21
Stage 4	-17.1	758.57	-6.07
Stage 4	-17.3	754.06	-22.55
Stage 4	-17.5	746.21	-39.26
Stage 4	-17.7	734.98	-56.17
Stage 4	-17.9	720.31	-73.31
Stage 4	-18.1	702.18	-90.66
Stage 4	-18.3	680.53	-108.24
Stage 4	-18.5	655.33	-126.02
Stage 4	-18.7	626.52	-144.03
Stage 4	-18.9	594.07	-162.24
Stage 4	-19.1	557.94	-180.68
Stage 4	-19.3	518.07	-199.32
Stage 4	-19.5	474.44	-218.19
Stage 4	-19.7	426.98	-237.27
Stage 4	-19.9	375.67	-256.56
Stage 4	-20.1	320.46	-276.07
Stage 4	-20.3	261.3	-295.79
Stage 4	-20.5	198.15	-315.73
Stage 4	-20.7	130.98	-335.88
Stage 4	-20.9	59.73	-356.24
Stage 4	-21.1	-15.64	-376.82
Stage 4	-21.3	-94.59	-394.78
Stage 4	-21.5	-176.05	-407.29
Stage 4	-21.7	-258.92	-414.34
Stage 4	-21.9	-342.11	-415.95
Stage 4	-22.1	-424.53	-412.11
Stage 4	-22.3	-505.09	-402.82
Stage 4	-22.5	-582.71	-388.08
Stage 4	-22.7	-656.29	-367.89
Stage 4	-22.9	-724.74	-342.25
Stage 4	-23.1	-786.97	-311.16
Stage 4	-23.3	-841.9	-274.61
Stage 4	-23.5	-888.42	-232.62
Stage 4	-23.7	-925.45	-185.17
Stage 4	-23.9	-951.91	-132.28
Stage 4	-24.1	-966.69	-73.93
Stage 4	-24.3	-968.72	-10.13
Stage 4	-24.5	-956.9	59.12
Stage 4	-24.7	-930.13	133.82
Stage 4	-24.9	-888.53	207.99
Stage 4	-25.1	-832.93	278
Stage 4	-25.3	-764.12	344.08
Stage 4	-25.5	-682.94	405.87
Stage 4	-25.7	-593.13	449.03
Stage 4	-25.9	-498.74	471.99
Stage 4	-26.1	-403.62	475.61
Stage 4	-26.3	-311.5	460.58
Stage 4	-26.5	-226	427.48
Stage 4	-26.7	-150.66	376.74
Stage 4	-26.9	-88.09	312.85
Stage 4	-27.1	-40.6	237.44
Stage 4	-27.3	-10.48	150.61
Stage 4	-27.5	0	52.39

Tabella Risultati Paratia A1+M1+R1 (R3 per tiranti) - Left Wall - Stage: Stage D

Design Assumption: A1+M1+R1 (R3 per tiranti) Risultati Paratia		Muro: LEFT	
Stage	Z (m)	Momento (kN*m/m)	Taglio (kN/m)
Stage D	-2.5	0	0
Stage D	-2.7	0	0
Stage D	-2.7	0	0
Stage D	-2.9	-0.04	-0.19
Stage D	-3.1	-0.15	-0.55
Stage D	-3.3	-0.37	-1.1
Stage D	-3.5	-0.73	-1.83
Stage D	-3.7	-1.28	-2.74
Stage D	-3.9	-2.05	-3.85
Stage D	-4.1	-3.08	-5.15
Stage D	-4.3	-4.41	-6.66
Stage D	-4.5	-6.09	-8.36
Stage D	-4.7	-8.14	-10.27
Stage D	-4.9	-10.61	-12.38
Stage D	-5.1	-13.55	-14.7
Stage D	-5.3	-17.06	-17.56
Stage D	-5.5	-21.19	-20.65
Stage D	-5.7	-25.99	-23.96
Stage D	-5.9	-31.49	-27.51
Stage D	-6.1	-37.75	-31.28
Stage D	-6.3	-44.8	-35.29
Stage D	-6.5	-52.71	-39.52
Stage D	-6.7	-61.5	-43.98
Stage D	-6.9	-71.24	-48.66
Stage D	-7.1	-81.95	-53.58
Stage D	-7.3	-93.69	-58.71
Stage D	-7.5	-106.51	-64.08
Stage D	-7.7	-120.44	-69.67
Stage D	-7.9	-135.54	-75.49
Stage D	-8.1	-151.85	-81.52
Stage D	-8.3	-169.4	-87.79
Stage D	-8.5	-188.26	-94.27
Stage D	-8.7	-146.61	208.27
Stage D	-8.9	-106.34	201.34
Stage D	-9.1	-67.5	194.17
Stage D	-9.3	-30.15	186.78
Stage D	-9.5	5.68	179.16
Stage D	-9.7	39.95	171.33
Stage D	-9.9	72.6	163.26
Stage D	-10.1	103.6	154.99
Stage D	-10.3	132.81	146.04
Stage D	-10.5	160.18	136.88
Stage D	-10.7	185.68	127.48
Stage D	-10.9	209.25	117.88
Stage D	-11.1	230.86	108.04
Stage D	-11.3	250.46	97.98
Stage D	-11.5	268	87.69
Stage D	-11.7	283.44	77.19
Stage D	-11.9	296.73	66.46
Stage D	-12.1	307.83	55.53
Stage D	-12.3	316.71	44.36
Stage D	-12.5	323.3	32.99
Stage D	-12.7	327.58	21.39
Stage D	-12.9	329.5	9.58
Stage D	-13.1	329.01	-2.45
Stage D	-13.3	326.07	-14.7
Stage D	-13.5	320.64	-27.16
Stage D	-13.7	369.11	242.35
Stage D	-13.9	415	229.46
Stage D	-14.1	458.27	216.36
Stage D	-14.3	498.88	203.05
Stage D	-14.5	536.78	189.52
Stage D	-14.7	571.94	175.78
Stage D	-14.9	604.31	161.84
Stage D	-15.1	633.84	147.68
Stage D	-15.3	660.52	133.39
Stage D	-15.5	684.29	118.86

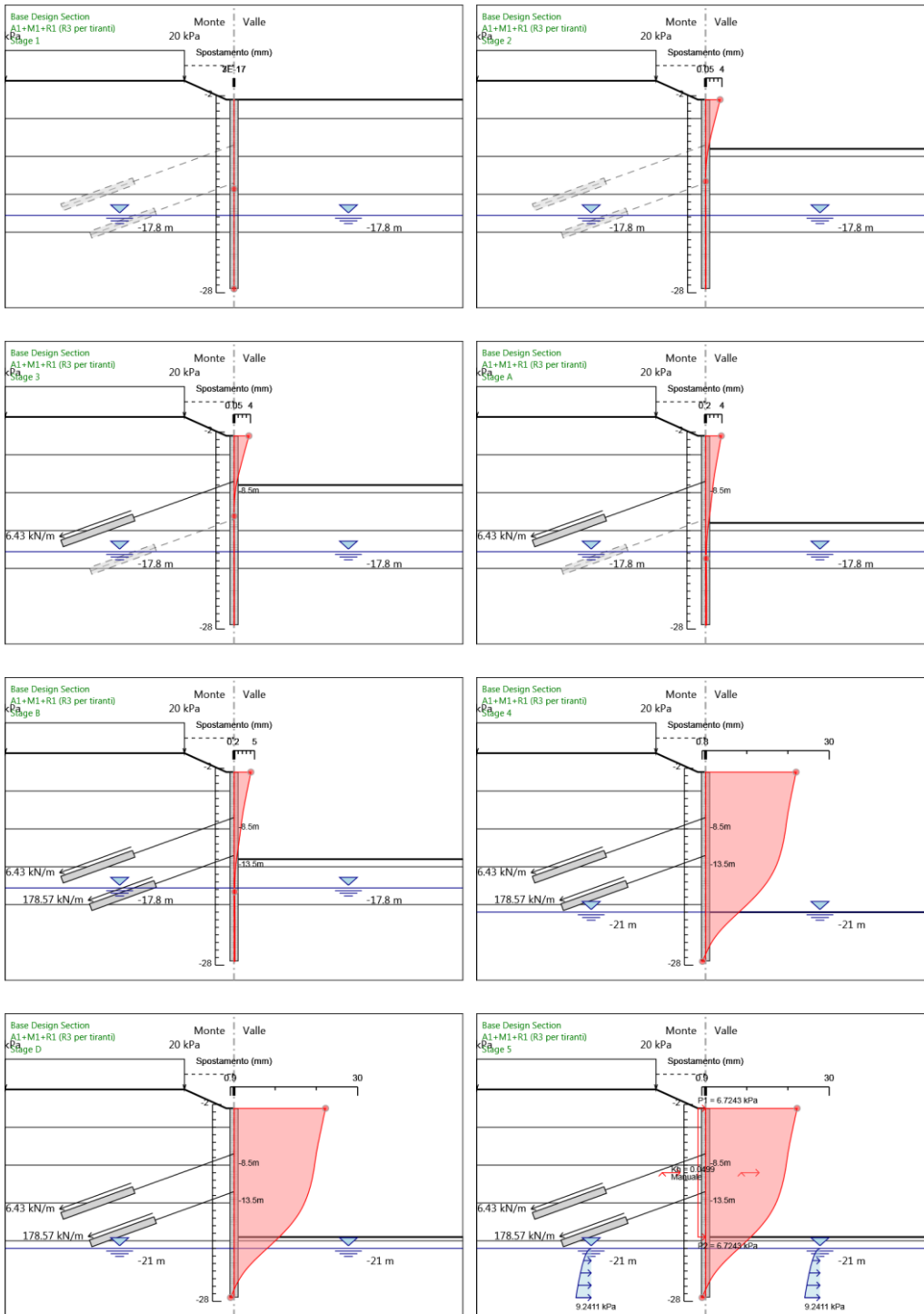
Design Assumption: A1+M1+R1 (R3 per tiranti) Risultati Paratia		Muro: LEFT	
Stage	Z (m)	Momento (kN*m/m)	Taglio (kN/m)
Stage D	-15.7	705.12	104.13
Stage D	-15.9	722.95	89.17
Stage D	-16.1	737.75	74
Stage D	-16.3	749.47	58.6
Stage D	-16.5	758.07	42.99
Stage D	-16.7	763.5	27.15
Stage D	-16.9	765.72	11.11
Stage D	-17.1	764.69	-5.17
Stage D	-17.3	760.36	-21.65
Stage D	-17.5	752.69	-38.36
Stage D	-17.7	741.63	-55.27
Stage D	-17.9	727.15	-72.41
Stage D	-18.1	709.24	-89.56
Stage D	-18.3	687.78	-107.3
Stage D	-18.5	662.65	-125.65
Stage D	-18.7	633.73	-144.61
Stage D	-18.9	600.89	-164.17
Stage D	-19.1	564.02	-184.37
Stage D	-19.3	522.98	-205.19
Stage D	-19.5	477.65	-226.66
Stage D	-19.7	427.9	-248.76
Stage D	-19.9	373.64	-271.29
Stage D	-20.1	314.78	-294.27
Stage D	-20.3	251.49	-316.47
Stage D	-20.5	183.76	-338.63
Stage D	-20.7	111.64	-360.62
Stage D	-20.9	35.16	-382.42
Stage D	-21.1	-45.65	-404.02
Stage D	-21.3	-127.92	-411.35
Stage D	-21.5	-211.09	-415.87
Stage D	-21.7	-294.42	-416.61
Stage D	-21.9	-377.05	-413.15
Stage D	-22.1	-458.09	-405.24
Stage D	-22.3	-536.63	-392.7
Stage D	-22.5	-611.71	-375.39
Stage D	-22.7	-682.35	-353.2
Stage D	-22.9	-747.55	-326.02
Stage D	-23.1	-806.31	-293.78
Stage D	-23.3	-857.6	-256.42
Stage D	-23.5	-900.37	-213.89
Stage D	-23.7	-933.6	-166.13
Stage D	-23.9	-956.33	-113.63
Stage D	-24.1	-967.78	-57.26
Stage D	-24.3	-967.01	3.82
Stage D	-24.5	-952.93	70.4
Stage D	-24.7	-924.43	142.5
Stage D	-24.9	-881.61	214.11
Stage D	-25.1	-825.29	281.61
Stage D	-25.3	-756.24	345.22
Stage D	-25.5	-675.27	404.85
Stage D	-25.7	-585.85	447.08
Stage D	-25.9	-492.05	469.02
Stage D	-26.1	-397.75	471.5
Stage D	-26.3	-306.7	455.23
Stage D	-26.5	-222.55	420.76
Stage D	-26.7	-148.5	370.24
Stage D	-26.9	-86.91	307.97
Stage D	-27.1	-40.09	234.09
Stage D	-27.3	-10.35	148.68
Stage D	-27.5	0	51.77

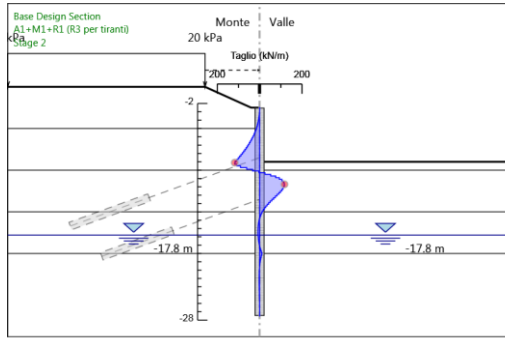
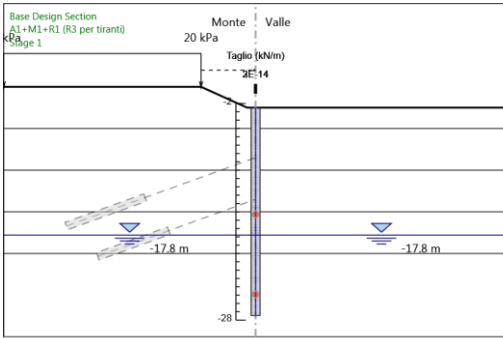
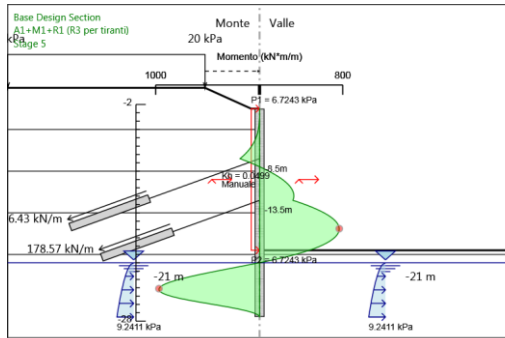
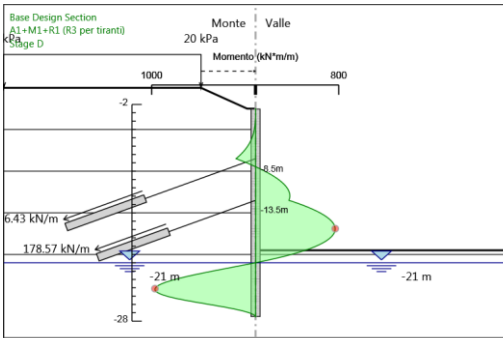
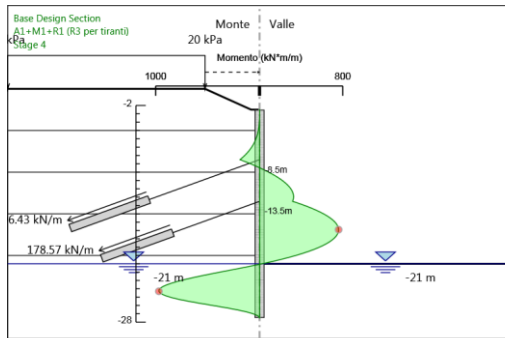
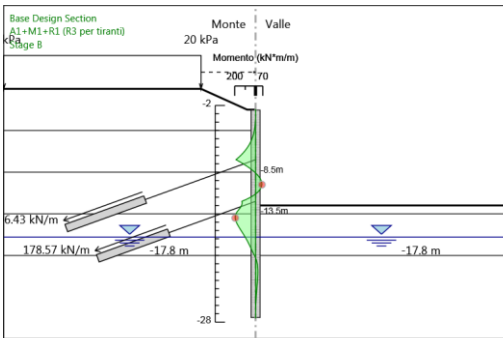
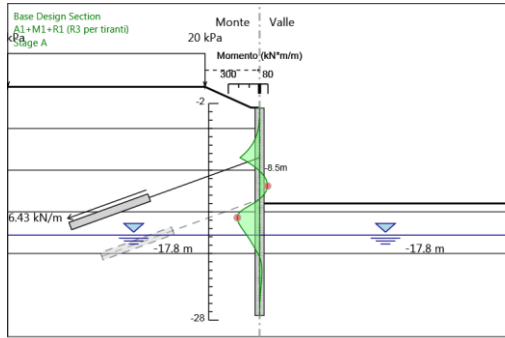
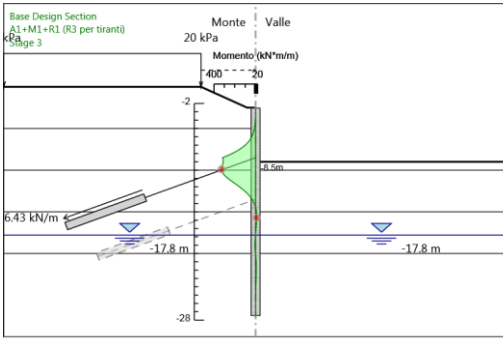
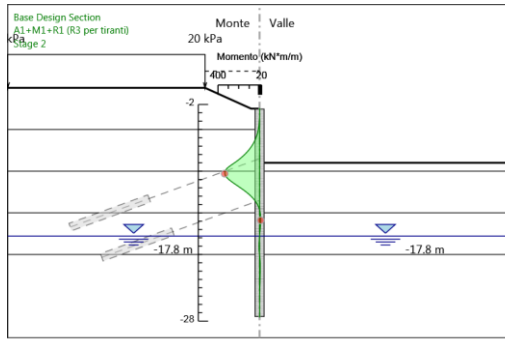
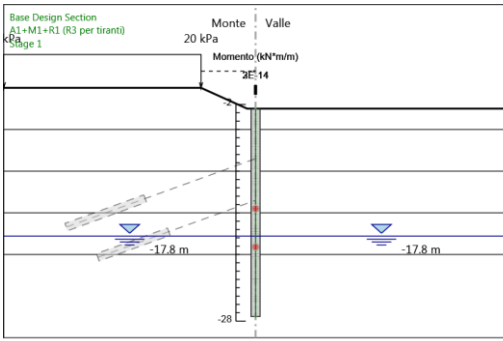
Tabella Risultati Paratia A1+M1+R1 (R3 per tiranti) - Left Wall - Stage: Stage 5

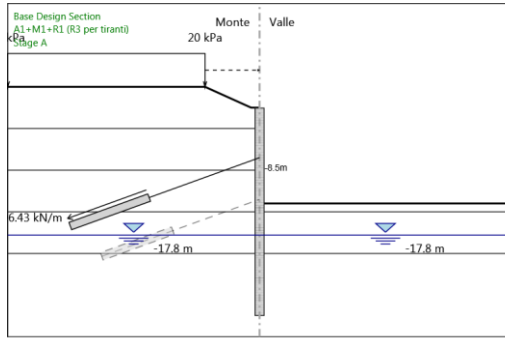
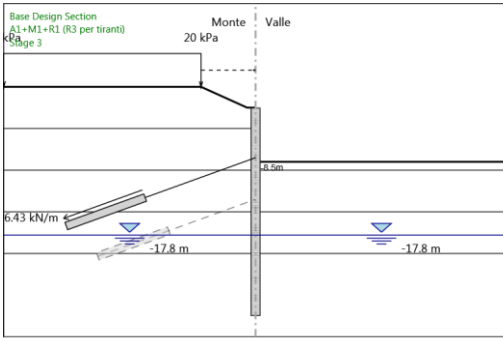
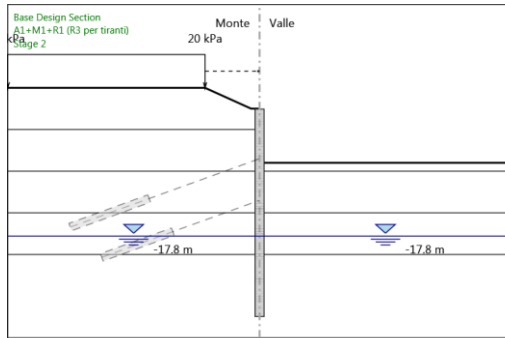
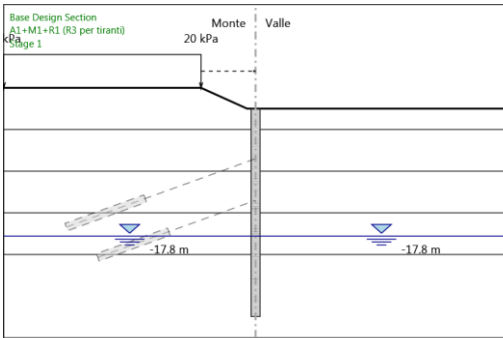
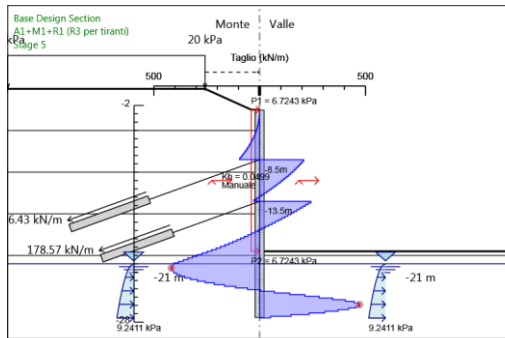
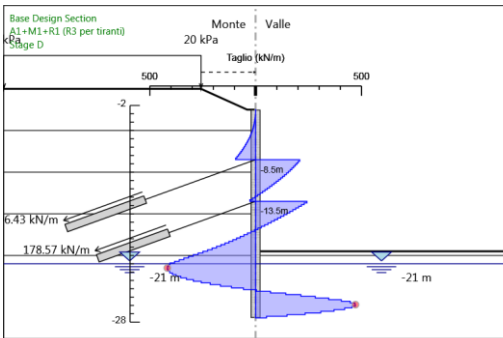
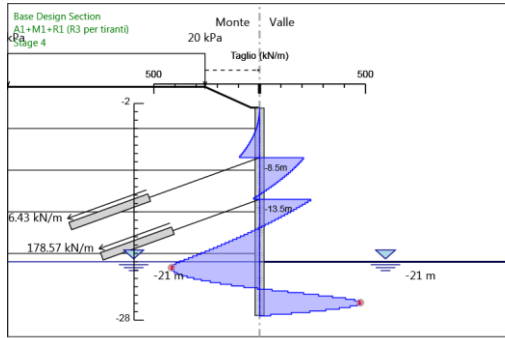
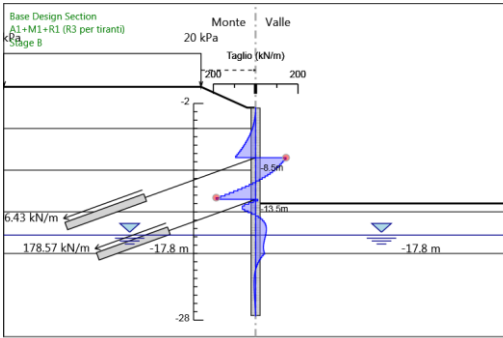
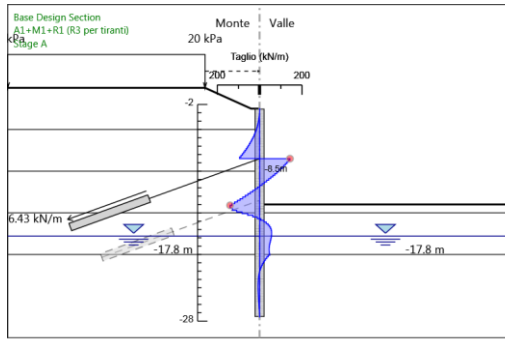
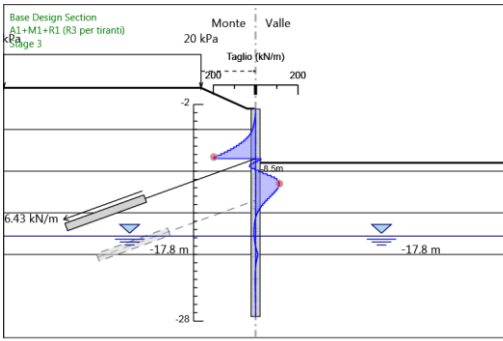
Design Assumption: A1+M1+R1 (R3 per tiranti) Risultati Paratia		Muro: LEFT	
Stage	Z (m)	Momento (kN*m/m)	Taglio (kN/m)
Stage 5	-2.5	0	0
Stage 5	-2.7	0	0
Stage 5	-2.7	0	0
Stage 5	-2.9	-0.04	-0.19
Stage 5	-3.1	-0.15	-0.55
Stage 5	-3.3	-0.37	-1.1
Stage 5	-3.5	-0.73	-1.83
Stage 5	-3.7	-1.28	-2.74
Stage 5	-3.9	-2.05	-3.85
Stage 5	-4.1	-3.08	-5.15
Stage 5	-4.3	-4.41	-6.66
Stage 5	-4.5	-6.09	-8.36
Stage 5	-4.7	-8.14	-10.27
Stage 5	-4.9	-10.61	-12.38
Stage 5	-5.1	-13.55	-14.7
Stage 5	-5.3	-17.06	-17.56
Stage 5	-5.5	-21.19	-20.65
Stage 5	-5.7	-25.99	-23.96
Stage 5	-5.9	-31.49	-27.52
Stage 5	-6.1	-37.75	-31.29
Stage 5	-6.3	-44.81	-35.29
Stage 5	-6.5	-52.71	-39.52
Stage 5	-6.7	-61.51	-43.99
Stage 5	-6.9	-71.24	-48.67
Stage 5	-7.1	-81.96	-53.59
Stage 5	-7.3	-93.7	-58.72
Stage 5	-7.5	-106.52	-64.09
Stage 5	-7.7	-120.46	-69.68
Stage 5	-7.9	-135.56	-75.5
Stage 5	-8.1	-151.86	-81.53
Stage 5	-8.3	-169.42	-87.8
Stage 5	-8.5	-188.28	-94.28
Stage 5	-8.7	-146.63	208.26
Stage 5	-8.9	-106.36	201.33
Stage 5	-9.1	-67.53	194.15
Stage 5	-9.3	-30.18	186.76
Stage 5	-9.5	5.65	179.15
Stage 5	-9.7	39.91	171.32
Stage 5	-9.9	72.56	163.25
Stage 5	-10.1	103.56	154.98
Stage 5	-10.3	132.77	146.03
Stage 5	-10.5	160.14	136.87
Stage 5	-10.7	185.64	127.47
Stage 5	-10.9	209.21	117.87
Stage 5	-11.1	230.82	108.04
Stage 5	-11.3	250.41	97.98
Stage 5	-11.5	267.95	87.7
Stage 5	-11.7	283.39	77.2
Stage 5	-11.9	296.69	66.48
Stage 5	-12.1	307.8	55.55
Stage 5	-12.3	316.68	44.39
Stage 5	-12.5	323.28	33.02
Stage 5	-12.7	327.57	21.42
Stage 5	-12.9	329.49	9.61
Stage 5	-13.1	329	-2.42
Stage 5	-13.3	326.07	-14.67
Stage 5	-13.5	320.65	-27.13
Stage 5	-13.7	369.12	242.38
Stage 5	-13.9	415.02	229.49
Stage 5	-14.1	458.3	216.39
Stage 5	-14.3	498.91	203.08
Stage 5	-14.5	536.82	189.55
Stage 5	-14.7	571.99	175.81
Stage 5	-14.9	604.36	161.87
Stage 5	-15.1	633.9	147.71
Stage 5	-15.3	660.59	133.42
Stage 5	-15.5	684.36	118.9

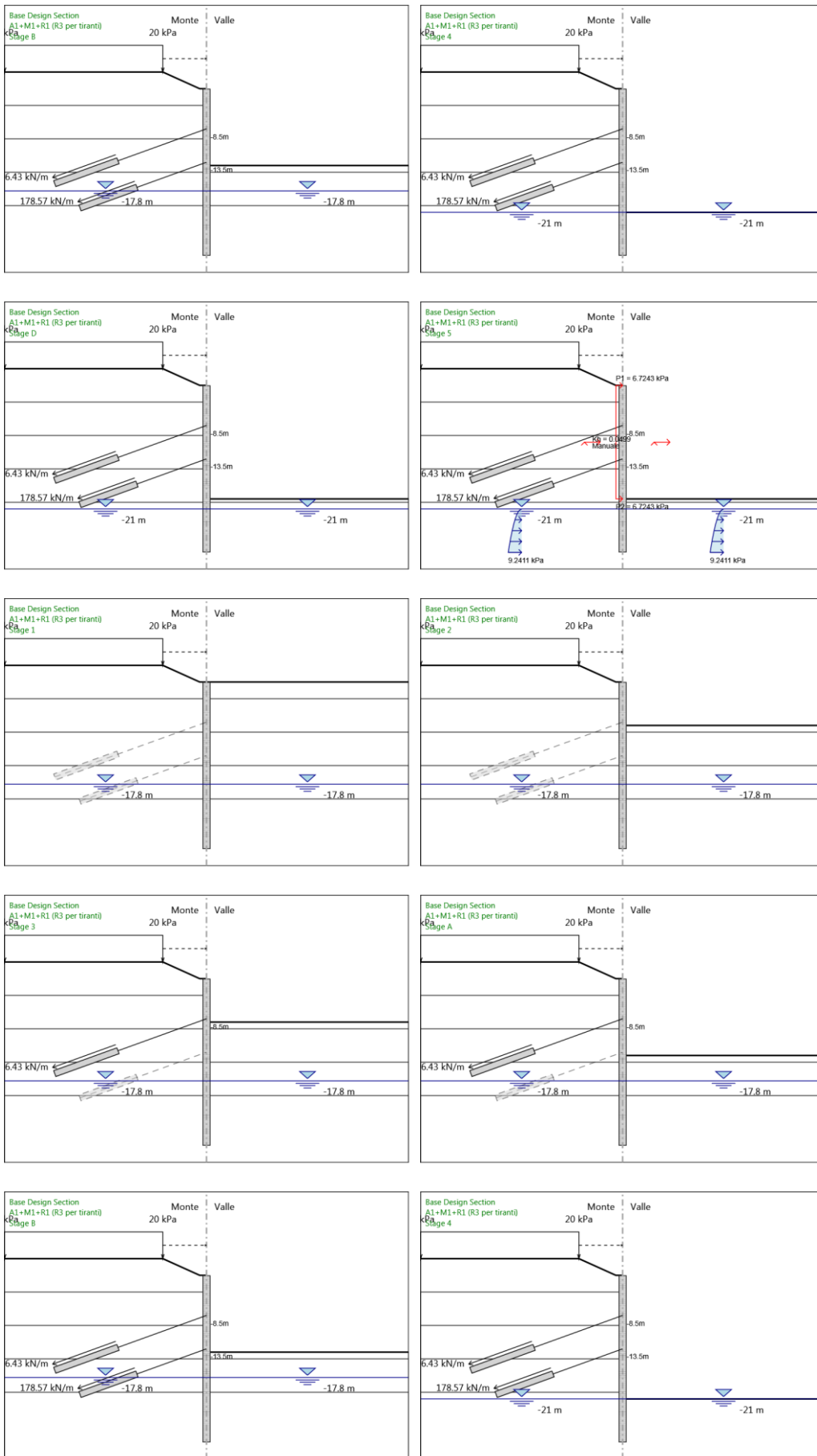
Design Assumption: A1+M1+R1 (R3 per tiranti) Risultati Paratia		Muro: LEFT	
Stage	Z (m)	Momento (kN*m/m)	Taglio (kN/m)
Stage 5	-15.7	705.2	104.16
Stage 5	-15.9	723.04	89.2
Stage 5	-16.1	737.84	74.03
Stage 5	-16.3	749.57	58.63
Stage 5	-16.5	758.17	43.02
Stage 5	-16.7	763.61	27.19
Stage 5	-16.9	765.84	11.14
Stage 5	-17.1	764.81	-5.14
Stage 5	-17.3	760.48	-21.62
Stage 5	-17.5	752.82	-38.33
Stage 5	-17.7	741.77	-55.24
Stage 5	-17.9	727.29	-72.38
Stage 5	-18.1	709.35	-89.73
Stage 5	-18.3	687.85	-107.46
Stage 5	-18.5	662.7	-125.79
Stage 5	-18.7	633.75	-144.73
Stage 5	-18.9	600.9	-164.28
Stage 5	-19.1	564	-184.46
Stage 5	-19.3	522.95	-205.27
Stage 5	-19.5	477.6	-226.72
Stage 5	-19.7	427.84	-248.82
Stage 5	-19.9	373.57	-271.33
Stage 5	-20.1	314.71	-294.3
Stage 5	-20.3	251.42	-316.48
Stage 5	-20.5	183.69	-338.63
Stage 5	-20.7	111.57	-360.62
Stage 5	-20.9	35.08	-382.41
Stage 5	-21.1	-45.72	-404
Stage 5	-21.3	-127.98	-411.34
Stage 5	-21.5	-211.16	-415.86
Stage 5	-21.7	-294.47	-416.59
Stage 5	-21.9	-377.1	-413.13
Stage 5	-22.1	-458.14	-405.22
Stage 5	-22.3	-536.68	-392.68
Stage 5	-22.5	-611.75	-375.37
Stage 5	-22.7	-682.39	-353.17
Stage 5	-22.9	-747.59	-326
Stage 5	-23.1	-806.34	-293.76
Stage 5	-23.3	-857.62	-256.41
Stage 5	-23.5	-900.4	-213.87
Stage 5	-23.7	-933.62	-166.11
Stage 5	-23.9	-956.34	-113.61
Stage 5	-24.1	-967.79	-57.24
Stage 5	-24.3	-967.03	3.83
Stage 5	-24.5	-952.94	70.42
Stage 5	-24.7	-924.44	142.51
Stage 5	-24.9	-881.62	214.12
Stage 5	-25.1	-825.29	281.62
Stage 5	-25.3	-756.25	345.23
Stage 5	-25.5	-675.28	404.85
Stage 5	-25.7	-585.85	447.09
Stage 5	-25.9	-492.05	469.03
Stage 5	-26.1	-397.75	471.51
Stage 5	-26.3	-306.7	455.23
Stage 5	-26.5	-222.55	420.76
Stage 5	-26.7	-148.5	370.24
Stage 5	-26.9	-86.91	307.97
Stage 5	-27.1	-40.09	234.09
Stage 5	-27.3	-10.35	148.68
Stage 5	-27.5	0	51.77

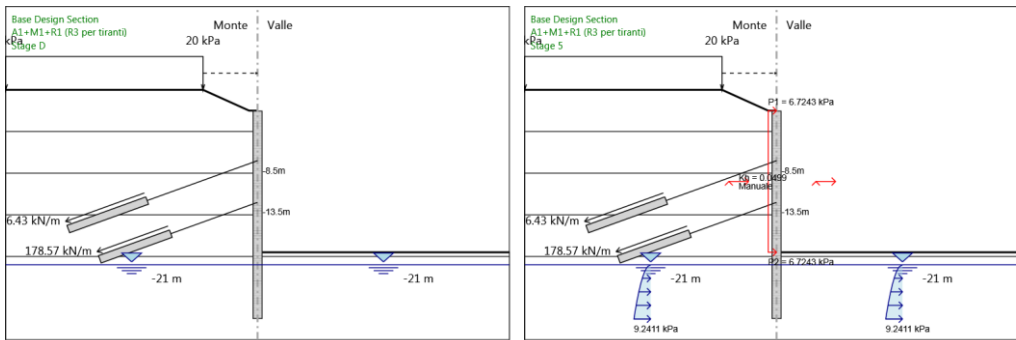
Tabella Grafici dei Risultati











Risultati Elementi strutturali - A1+M1+R1 (R3 per tiranti)

Design Assumption: A1+M1+R1 (R3 per tiranti) Sollecitazione Tieback

Stage	Forza (kN/m)
Stage 3	255.32
Stage A	259.95242
Stage B	260.12246
Stage 4	328.4918
Stage D	329.10553
Stage 5	329.10553

Design Assumption: A1+M1+R1 (R3 per tiranti) Sollecitazione Tieback_New

Stage	Forza (kN/m)
Stage B	232.18
Stage 4	299.9386
Stage D	300.2805
Stage 5	300.28115

Risultati A2+M2+R1

Tabella Risultati Paratia A2+M2+R1 - Left Wall - Stage: Stage 1

Design Assumption: A2+M2+R1 Risultati Paratia		Muro: LEFT	
Stage	Z (m)	Momento (kN*m/m)	Taglio (kN/m)
Stage 1	-2.5	0	0
Stage 1	-2.7	0	0
Stage 1	-2.9	0	0
Stage 1	-3.1	0	0
Stage 1	-3.3	0	0
Stage 1	-3.5	0	0
Stage 1	-3.7	0	0
Stage 1	-3.9	0	0
Stage 1	-4.1	0	0
Stage 1	-4.3	0	0
Stage 1	-4.5	0	0
Stage 1	-4.7	0	0
Stage 1	-4.9	0	0
Stage 1	-5.1	0	0
Stage 1	-5.3	0	0
Stage 1	-5.5	0	0
Stage 1	-5.7	0	0
Stage 1	-5.9	0	0
Stage 1	-6.1	0	0
Stage 1	-6.3	0	0
Stage 1	-6.5	0	0
Stage 1	-6.7	0	0
Stage 1	-6.9	0	0
Stage 1	-7.1	0	0
Stage 1	-7.3	0	0
Stage 1	-7.5	0	0
Stage 1	-7.7	0	0
Stage 1	-7.9	0	0
Stage 1	-8.1	0	0
Stage 1	-8.3	0	0
Stage 1	-8.5	0	0
Stage 1	-8.7	0	0
Stage 1	-8.9	0	0
Stage 1	-9.1	0	0
Stage 1	-9.3	0	0
Stage 1	-9.5	0	0
Stage 1	-9.7	0	0
Stage 1	-9.9	0	0
Stage 1	-10.1	0	0
Stage 1	-10.3	0	0
Stage 1	-10.5	0	0
Stage 1	-10.7	0	0
Stage 1	-10.9	0	0
Stage 1	-11.1	0	0
Stage 1	-11.3	0	0
Stage 1	-11.5	0	0
Stage 1	-11.7	0	0
Stage 1	-11.9	0	0
Stage 1	-12.1	0	0
Stage 1	-12.3	0	0
Stage 1	-12.5	0	0
Stage 1	-12.7	0	0
Stage 1	-12.9	0	0
Stage 1	-13.1	0	0
Stage 1	-13.3	0	0
Stage 1	-13.5	0	0
Stage 1	-13.7	0	0
Stage 1	-13.9	0	0
Stage 1	-14.1	0	0
Stage 1	-14.3	0	0
Stage 1	-14.5	0	0
Stage 1	-14.7	0	0
Stage 1	-14.9	0	0
Stage 1	-15.1	0	0

Design Assumption: A2+M2+R1 Risultati Paratia		Muro: LEFT	
Stage	Z (m)	Momento (kN*m/m)	Taglio (kN/m)
Stage 1	-15.3	0	0
Stage 1	-15.5	0	0
Stage 1	-15.7	0	0
Stage 1	-15.9	0	0
Stage 1	-16.1	0	0
Stage 1	-16.3	0	0
Stage 1	-16.5	0	0
Stage 1	-16.7	0	0
Stage 1	-16.9	0	0
Stage 1	-17.1	0	0
Stage 1	-17.3	0	0
Stage 1	-17.5	0	0
Stage 1	-17.7	0	0
Stage 1	-17.9	0	0
Stage 1	-18.1	0	0
Stage 1	-18.3	0	0
Stage 1	-18.5	0	0
Stage 1	-18.7	0	0
Stage 1	-18.9	0	0
Stage 1	-19.1	0	0
Stage 1	-19.3	0	0
Stage 1	-19.5	0	0
Stage 1	-19.7	0	0
Stage 1	-19.9	0	0
Stage 1	-20.1	0	0
Stage 1	-20.3	0	0
Stage 1	-20.5	0	0
Stage 1	-20.7	0	0
Stage 1	-20.9	0	0
Stage 1	-21.1	0	0
Stage 1	-21.3	0	0
Stage 1	-21.5	0	0
Stage 1	-21.7	0	0
Stage 1	-21.9	0	0
Stage 1	-22.1	0	0
Stage 1	-22.3	0	0
Stage 1	-22.5	0	0
Stage 1	-22.7	0	0
Stage 1	-22.9	0	0
Stage 1	-23.1	0	0
Stage 1	-23.3	0	0
Stage 1	-23.5	0	0
Stage 1	-23.7	0	0
Stage 1	-23.9	0	0
Stage 1	-24.1	0	0
Stage 1	-24.3	0	0
Stage 1	-24.5	0	0
Stage 1	-24.7	0	0
Stage 1	-24.9	0	0
Stage 1	-25.1	0	0
Stage 1	-25.3	0	0
Stage 1	-25.5	0	0
Stage 1	-25.7	0	0
Stage 1	-25.9	0	0
Stage 1	-26.1	0	0
Stage 1	-26.3	0	0
Stage 1	-26.5	0	0
Stage 1	-26.7	0	0
Stage 1	-26.9	0	0
Stage 1	-27.1	0	0
Stage 1	-27.3	0	0
Stage 1	-27.5	0	0

Tabella Risultati Paratia A2+M2+R1 - Left Wall - Stage: Stage 2

Design Assumption: A2+M2+R1 Risultati Paratia		Muro: LEFT	
Stage	Z (m)	Momento (kN*m/m)	Taglio (kN/m)
Stage 2	-2.5	0	-0.01
Stage 2	-2.7	0	-0.01
Stage 2	-2.7	0	-0.01
Stage 2	-2.9	-0.04	-0.2
Stage 2	-3.1	-0.16	-0.57
Stage 2	-3.3	-0.38	-1.14
Stage 2	-3.5	-0.76	-1.89
Stage 2	-3.7	-1.33	-2.84
Stage 2	-3.9	-2.13	-3.99
Stage 2	-4.1	-3.2	-5.34
Stage 2	-4.3	-4.57	-6.89
Stage 2	-4.5	-6.31	-8.66
Stage 2	-4.7	-8.43	-10.63
Stage 2	-4.9	-10.99	-12.82
Stage 2	-5.1	-14.04	-15.22
Stage 2	-5.3	-17.66	-18.12
Stage 2	-5.5	-21.92	-21.27
Stage 2	-5.7	-26.84	-24.64
Stage 2	-5.9	-32.49	-28.25
Stage 2	-6.1	-38.91	-32.08
Stage 2	-6.3	-46.14	-36.15
Stage 2	-6.5	-54.23	-40.45
Stage 2	-6.7	-63.23	-44.99
Stage 2	-6.9	-73.17	-49.75
Stage 2	-7.1	-84.12	-54.75
Stage 2	-7.3	-96.12	-59.97
Stage 2	-7.5	-109.2	-65.42
Stage 2	-7.7	-123.42	-71.1
Stage 2	-7.9	-138.83	-77.02
Stage 2	-8.1	-155.46	-83.16
Stage 2	-8.3	-173.36	-89.53
Stage 2	-8.5	-192.59	-96.12
Stage 2	-8.7	-213.18	-102.95
Stage 2	-8.9	-235.18	-110
Stage 2	-9.1	-258.63	-117.29
Stage 2	-9.3	-283.08	-122.23
Stage 2	-9.5	-307.53	-122.27
Stage 2	-9.7	-331.01	-117.38
Stage 2	-9.9	-352.53	-107.59
Stage 2	-10.1	-371.1	-92.88
Stage 2	-10.3	-386.24	-75.67
Stage 2	-10.5	-397.03	-53.98
Stage 2	-10.7	-402.6	-27.81
Stage 2	-10.9	-402.68	-0.44
Stage 2	-11.1	-397.54	25.71
Stage 2	-11.3	-387.37	50.84
Stage 2	-11.5	-372.36	75.06
Stage 2	-11.7	-352.65	98.56
Stage 2	-11.9	-329.38	116.33
Stage 2	-12.1	-303.74	128.23
Stage 2	-12.3	-276.71	135.14
Stage 2	-12.5	-249.13	137.88
Stage 2	-12.7	-221.69	137.2
Stage 2	-12.9	-194.94	133.78
Stage 2	-13.1	-169.3	128.2
Stage 2	-13.3	-145.1	121
Stage 2	-13.5	-122.57	112.65
Stage 2	-13.7	-101.86	103.52
Stage 2	-13.9	-83.07	93.95
Stage 2	-14.1	-66.23	84.22
Stage 2	-14.3	-51.32	74.55
Stage 2	-14.5	-38.3	65.12
Stage 2	-14.7	-27.09	56.06
Stage 2	-14.9	-17.59	47.49
Stage 2	-15.1	-9.69	39.47
Stage 2	-15.3	-3.23	32.32
Stage 2	-15.5	1.94	25.83

Design Assumption: A2+M2+R1 Risultati Paratia		Muro: LEFT	
Stage	Z (m)	Momento (kN*m/m)	Taglio (kN/m)
Stage 2	-15.7	5.94	20
Stage 2	-15.9	8.91	14.83
Stage 2	-16.1	10.97	10.3
Stage 2	-16.3	12.24	6.39
Stage 2	-16.5	12.85	3.05
Stage 2	-16.7	12.9	0.25
Stage 2	-16.9	12.49	-2.04
Stage 2	-17.1	11.72	-3.86
Stage 2	-17.3	10.67	-5.26
Stage 2	-17.5	9.42	-6.26
Stage 2	-17.7	8.04	-6.89
Stage 2	-17.9	6.6	-7.19
Stage 2	-18.1	5.17	-7.18
Stage 2	-18.3	3.79	-6.9
Stage 2	-18.5	2.52	-6.34
Stage 2	-18.7	1.41	-5.54
Stage 2	-18.9	0.51	-4.49
Stage 2	-19.1	-0.12	-3.19
Stage 2	-19.3	-0.46	-1.66
Stage 2	-19.5	-0.43	0.12
Stage 2	-19.7	-0.01	2.13
Stage 2	-19.9	0.87	4.39
Stage 2	-20.1	2.25	6.89
Stage 2	-20.3	3.33	5.42
Stage 2	-20.5	4.16	4.12
Stage 2	-20.7	4.75	2.98
Stage 2	-20.9	5.15	1.99
Stage 2	-21.1	5.38	1.15
Stage 2	-21.3	5.47	0.44
Stage 2	-21.5	5.44	-0.15
Stage 2	-21.7	5.31	-0.62
Stage 2	-21.9	5.11	-1
Stage 2	-22.1	4.86	-1.29
Stage 2	-22.3	4.55	-1.5
Stage 2	-22.5	4.22	-1.65
Stage 2	-22.7	3.88	-1.74
Stage 2	-22.9	3.52	-1.77
Stage 2	-23.1	3.17	-1.77
Stage 2	-23.3	2.82	-1.74
Stage 2	-23.5	2.49	-1.67
Stage 2	-23.7	2.17	-1.59
Stage 2	-23.9	1.87	-1.49
Stage 2	-24.1	1.6	-1.38
Stage 2	-24.3	1.34	-1.26
Stage 2	-24.5	1.12	-1.14
Stage 2	-24.7	0.91	-1.01
Stage 2	-24.9	0.74	-0.89
Stage 2	-25.1	0.58	-0.77
Stage 2	-25.3	0.45	-0.66
Stage 2	-25.5	0.34	-0.56
Stage 2	-25.7	0.25	-0.46
Stage 2	-25.9	0.17	-0.37
Stage 2	-26.1	0.11	-0.29
Stage 2	-26.3	0.07	-0.22
Stage 2	-26.5	0.04	-0.15
Stage 2	-26.7	0.02	-0.1
Stage 2	-26.9	0.01	-0.06
Stage 2	-27.1	0	-0.03
Stage 2	-27.3	0	-0.01
Stage 2	-27.3	0	-0.01
Stage 2	-27.5	0	0

Tabella Risultati Paratia A2+M2+R1 - Left Wall - Stage: Stage 3

Design Assumption: A2+M2+R1 Risultati Paratia		Muro: LEFT	
Stage	Z (m)	Momento (kN*m/m)	Taglio (kN/m)
Stage 3	-2.5	0	-0.01
Stage 3	-2.7	0	-0.01
Stage 3	-2.7	0	-0.01
Stage 3	-2.9	-0.04	-0.2
Stage 3	-3.1	-0.16	-0.57
Stage 3	-3.3	-0.38	-1.14
Stage 3	-3.5	-0.76	-1.89
Stage 3	-3.7	-1.33	-2.84
Stage 3	-3.9	-2.13	-3.99
Stage 3	-4.1	-3.2	-5.34
Stage 3	-4.3	-4.57	-6.89
Stage 3	-4.5	-6.31	-8.66
Stage 3	-4.7	-8.43	-10.63
Stage 3	-4.9	-10.99	-12.82
Stage 3	-5.1	-14.03	-15.19
Stage 3	-5.3	-17.75	-18.58
Stage 3	-5.5	-22.3	-22.76
Stage 3	-5.7	-27.85	-27.73
Stage 3	-5.9	-34.55	-33.5
Stage 3	-6.1	-42.56	-40.05
Stage 3	-6.3	-52.04	-47.39
Stage 3	-6.5	-63.14	-55.51
Stage 3	-6.7	-76.02	-64.42
Stage 3	-6.9	-90.83	-74.07
Stage 3	-7.1	-107.73	-84.47
Stage 3	-7.3	-126.84	-95.58
Stage 3	-7.5	-148.32	-107.38
Stage 3	-7.7	-172.28	-119.81
Stage 3	-7.9	-198.85	-132.83
Stage 3	-8.1	-228.12	-146.35
Stage 3	-8.3	-260.18	-160.31
Stage 3	-8.5	-295.09	-174.58
Stage 3	-8.7	-295.99	-4.51
Stage 3	-8.9	-299.8	-19.05
Stage 3	-9.1	-306.52	-33.56
Stage 3	-9.3	-316.08	-47.82
Stage 3	-9.5	-327.65	-57.85
Stage 3	-9.7	-340.09	-62.2
Stage 3	-9.9	-352.26	-60.85
Stage 3	-10.1	-363.01	-53.75
Stage 3	-10.3	-372.01	-45
Stage 3	-10.5	-378.16	-30.76
Stage 3	-10.7	-380.38	-11.08
Stage 3	-10.9	-378.24	10.71
Stage 3	-11.1	-371.81	32.13
Stage 3	-11.3	-361.15	53.31
Stage 3	-11.5	-346.29	74.31
Stage 3	-11.7	-327.24	95.22
Stage 3	-11.9	-305.05	110.98
Stage 3	-12.1	-280.77	121.37
Stage 3	-12.3	-255.33	127.21
Stage 3	-12.5	-229.48	129.25
Stage 3	-12.7	-203.84	128.19
Stage 3	-12.9	-178.92	124.64
Stage 3	-13.1	-155.08	119.16
Stage 3	-13.3	-132.64	112.23
Stage 3	-13.5	-111.78	104.27
Stage 3	-13.7	-92.66	95.63
Stage 3	-13.9	-75.33	86.63
Stage 3	-14.1	-59.83	77.5
Stage 3	-14.3	-46.14	68.46
Stage 3	-14.5	-34.21	59.66
Stage 3	-14.7	-23.96	51.22
Stage 3	-14.9	-15.31	43.25
Stage 3	-15.1	-8.16	35.79
Stage 3	-15.3	-2.31	29.2
Stage 3	-15.5	2.33	23.23

Design Assumption: A2+M2+R1 Risultati Paratia		Muro: LEFT	
Stage	Z (m)	Momento (kN*m/m)	Taglio (kN/m)
Stage 3	-15.7	5.91	17.87
Stage 3	-15.9	8.53	13.13
Stage 3	-16.1	10.32	8.97
Stage 3	-16.3	11.4	5.39
Stage 3	-16.5	11.87	2.33
Stage 3	-16.7	11.83	-0.21
Stage 3	-16.9	11.37	-2.3
Stage 3	-17.1	10.58	-3.95
Stage 3	-17.3	9.54	-5.2
Stage 3	-17.5	8.32	-6.09
Stage 3	-17.7	6.99	-6.64
Stage 3	-17.9	5.62	-6.87
Stage 3	-18.1	4.25	-6.82
Stage 3	-18.3	2.95	-6.51
Stage 3	-18.5	1.76	-5.94
Stage 3	-18.7	0.73	-5.14
Stage 3	-18.9	-0.08	-4.09
Stage 3	-19.1	-0.65	-2.81
Stage 3	-19.3	-0.91	-1.3
Stage 3	-19.5	-0.82	0.45
Stage 3	-19.7	-0.33	2.43
Stage 3	-19.9	0.6	4.66
Stage 3	-20.1	2.03	7.13
Stage 3	-20.3	3.16	5.63
Stage 3	-20.5	4.02	4.31
Stage 3	-20.7	4.65	3.15
Stage 3	-20.9	5.07	2.14
Stage 3	-21.1	5.33	1.28
Stage 3	-21.3	5.44	0.55
Stage 3	-21.5	5.43	-0.06
Stage 3	-21.7	5.32	-0.55
Stage 3	-21.9	5.13	-0.94
Stage 3	-22.1	4.88	-1.24
Stage 3	-22.3	4.59	-1.47
Stage 3	-22.5	4.26	-1.62
Stage 3	-22.7	3.92	-1.72
Stage 3	-22.9	3.57	-1.76
Stage 3	-23.1	3.21	-1.77
Stage 3	-23.3	2.87	-1.74
Stage 3	-23.5	2.53	-1.68
Stage 3	-23.7	2.21	-1.6
Stage 3	-23.9	1.91	-1.5
Stage 3	-24.1	1.64	-1.39
Stage 3	-24.3	1.38	-1.27
Stage 3	-24.5	1.15	-1.15
Stage 3	-24.7	0.94	-1.03
Stage 3	-24.9	0.76	-0.91
Stage 3	-25.1	0.6	-0.79
Stage 3	-25.3	0.47	-0.68
Stage 3	-25.5	0.35	-0.57
Stage 3	-25.7	0.26	-0.47
Stage 3	-25.9	0.18	-0.38
Stage 3	-26.1	0.12	-0.3
Stage 3	-26.3	0.08	-0.23
Stage 3	-26.5	0.05	-0.16
Stage 3	-26.7	0.02	-0.11
Stage 3	-26.9	0.01	-0.07
Stage 3	-27.1	0	-0.03
Stage 3	-27.3	0	-0.01
Stage 3	-27.5	0	0

Tabella Risultati Paratia A2+M2+R1 - Left Wall - Stage: Stage A

Design Assumption: A2+M2+R1 Risultati Paratia		Muro: LEFT	
Stage	Z (m)	Momento (kN*m/m)	Taglio (kN/m)
Stage A	-2.5	0	-0.01
Stage A	-2.7	0	-0.01
Stage A	-2.7	0	-0.01
Stage A	-2.9	-0.04	-0.2
Stage A	-3.1	-0.16	-0.57
Stage A	-3.3	-0.38	-1.14
Stage A	-3.5	-0.76	-1.89
Stage A	-3.7	-1.33	-2.84
Stage A	-3.9	-2.13	-3.99
Stage A	-4.1	-3.2	-5.34
Stage A	-4.3	-4.57	-6.89
Stage A	-4.5	-6.31	-8.66
Stage A	-4.7	-8.43	-10.63
Stage A	-4.9	-10.99	-12.82
Stage A	-5.1	-14.04	-15.22
Stage A	-5.3	-17.66	-18.12
Stage A	-5.5	-21.92	-21.27
Stage A	-5.7	-26.84	-24.64
Stage A	-5.9	-32.49	-28.25
Stage A	-6.1	-38.91	-32.08
Stage A	-6.3	-46.14	-36.15
Stage A	-6.5	-54.23	-40.45
Stage A	-6.7	-63.23	-44.99
Stage A	-6.9	-73.17	-49.75
Stage A	-7.1	-84.12	-54.75
Stage A	-7.3	-96.12	-59.97
Stage A	-7.5	-109.2	-65.42
Stage A	-7.7	-123.42	-71.1
Stage A	-7.9	-138.83	-77.02
Stage A	-8.1	-155.46	-83.16
Stage A	-8.3	-173.36	-89.53
Stage A	-8.5	-192.59	-96.12
Stage A	-8.7	-171.53	105.27
Stage A	-8.9	-151.89	98.22
Stage A	-9.1	-133.71	90.93
Stage A	-9.3	-117.02	83.41
Stage A	-9.5	-101.89	75.67
Stage A	-9.7	-88.35	67.7
Stage A	-9.9	-76.45	59.5
Stage A	-10.1	-66.23	51.08
Stage A	-10.3	-57.83	42.01
Stage A	-10.5	-51.29	32.73
Stage A	-10.7	-46.65	23.2
Stage A	-10.9	-43.95	13.46
Stage A	-11.1	-43.26	3.49
Stage A	-11.3	-44.6	-6.71
Stage A	-11.5	-48.03	-17.13
Stage A	-11.7	-53.58	-27.78
Stage A	-11.9	-61.31	-38.66
Stage A	-12.1	-71.26	-49.74
Stage A	-12.3	-83.47	-61.06
Stage A	-12.5	-97.99	-72.59
Stage A	-12.7	-114.86	-84.35
Stage A	-12.9	-134.13	-96.32
Stage A	-13.1	-155.83	-108.52
Stage A	-13.3	-180.02	-120.94
Stage A	-13.5	-206.73	-133.57
Stage A	-13.7	-236.01	-146.41
Stage A	-13.9	-267.91	-159.47
Stage A	-14.1	-302.46	-172.75
Stage A	-14.3	-339.24	-183.9
Stage A	-14.5	-377.35	-190.53
Stage A	-14.7	-415.88	-192.68
Stage A	-14.9	-453.95	-190.31
Stage A	-15.1	-490.64	-183.46
Stage A	-15.3	-524.98	-171.72
Stage A	-15.5	-556.02	-155.2

Design Assumption: A2+M2+R1 Risultati Paratia		Muro: LEFT	
Stage	Z (m)	Momento (kN*m/m)	Taglio (kN/m)
Stage A	-15.7	-582.8	-133.88
Stage A	-15.9	-604.35	-107.76
Stage A	-16.1	-619.72	-76.84
Stage A	-16.3	-627.94	-41.11
Stage A	-16.5	-628.92	-4.9
Stage A	-16.7	-622.89	30.17
Stage A	-16.9	-610.03	64.26
Stage A	-17.1	-590.81	96.11
Stage A	-17.3	-565.71	125.54
Stage A	-17.5	-536.02	148.43
Stage A	-17.7	-503.01	165.04
Stage A	-17.9	-467.76	176.23
Stage A	-18.1	-431.21	182.75
Stage A	-18.3	-394.15	185.31
Stage A	-18.5	-357.23	184.6
Stage A	-18.7	-320.98	181.26
Stage A	-18.9	-285.81	175.86
Stage A	-19.1	-252.03	168.91
Stage A	-19.3	-219.85	160.89
Stage A	-19.5	-189.41	152.19
Stage A	-19.7	-160.77	143.18
Stage A	-19.9	-133.94	134.16
Stage A	-20.1	-108.86	125.39
Stage A	-20.3	-86.35	112.59
Stage A	-20.5	-66.29	100.27
Stage A	-20.7	-48.59	88.52
Stage A	-20.9	-33.11	77.41
Stage A	-21.1	-19.71	67
Stage A	-21.3	-8.24	57.31
Stage A	-21.5	1.43	48.38
Stage A	-21.7	9.47	40.19
Stage A	-21.9	16.02	32.74
Stage A	-22.1	21.22	26.02
Stage A	-22.3	25.22	20
Stage A	-22.5	28.15	14.65
Stage A	-22.7	30.13	9.93
Stage A	-22.9	31.3	5.82
Stage A	-23.1	31.75	2.26
Stage A	-23.3	31.6	-0.77
Stage A	-23.5	30.93	-3.32
Stage A	-23.7	29.84	-5.44
Stage A	-23.9	28.41	-7.16
Stage A	-24.1	26.71	-8.51
Stage A	-24.3	24.8	-9.54
Stage A	-24.5	22.75	-10.27
Stage A	-24.7	20.6	-10.74
Stage A	-24.9	18.41	-10.97
Stage A	-25.1	16.21	-10.99
Stage A	-25.3	14.04	-10.83
Stage A	-25.5	11.94	-10.5
Stage A	-25.7	9.94	-10.03
Stage A	-25.9	8.06	-9.41
Stage A	-26.1	6.32	-8.68
Stage A	-26.3	4.75	-7.83
Stage A	-26.5	3.38	-6.88
Stage A	-26.7	2.21	-5.84
Stage A	-26.9	1.27	-4.7
Stage A	-27.1	0.58	-3.47
Stage A	-27.3	0.15	-2.15
Stage A	-27.5	0	-0.74

Tabella Risultati Paratia A2+M2+R1 - Left Wall - Stage: Stage B

Design Assumption: A2+M2+R1 Risultati Paratia		Muro: LEFT	
Stage	Z (m)	Momento (kN*m/m)	Taglio (kN/m)
Stage B	-2.5	0	-0.01
Stage B	-2.7	0	-0.01
Stage B	-2.7	0	-0.01
Stage B	-2.9	-0.04	-0.2
Stage B	-3.1	-0.16	-0.57
Stage B	-3.3	-0.38	-1.14
Stage B	-3.5	-0.76	-1.89
Stage B	-3.7	-1.33	-2.84
Stage B	-3.9	-2.13	-3.99
Stage B	-4.1	-3.2	-5.34
Stage B	-4.3	-4.57	-6.89
Stage B	-4.5	-6.31	-8.66
Stage B	-4.7	-8.43	-10.63
Stage B	-4.9	-10.99	-12.82
Stage B	-5.1	-14.04	-15.22
Stage B	-5.3	-17.66	-18.12
Stage B	-5.5	-21.92	-21.27
Stage B	-5.7	-26.84	-24.64
Stage B	-5.9	-32.49	-28.25
Stage B	-6.1	-38.91	-32.08
Stage B	-6.3	-46.14	-36.15
Stage B	-6.5	-54.23	-40.45
Stage B	-6.7	-63.23	-44.99
Stage B	-6.9	-73.17	-49.75
Stage B	-7.1	-84.12	-54.75
Stage B	-7.3	-96.12	-59.97
Stage B	-7.5	-109.2	-65.42
Stage B	-7.7	-123.42	-71.1
Stage B	-7.9	-138.83	-77.02
Stage B	-8.1	-155.46	-83.16
Stage B	-8.3	-173.36	-89.53
Stage B	-8.5	-192.59	-96.12
Stage B	-8.7	-171.51	105.38
Stage B	-8.9	-151.85	98.33
Stage B	-9.1	-133.64	91.04
Stage B	-9.3	-116.93	83.52
Stage B	-9.5	-101.78	75.78
Stage B	-9.7	-88.19	67.93
Stage B	-9.9	-76.29	59.51
Stage B	-10.1	-66.19	50.52
Stage B	-10.3	-58.12	40.34
Stage B	-10.5	-52.22	29.51
Stage B	-10.7	-48.61	18.03
Stage B	-10.9	-47.43	5.91
Stage B	-11.1	-48.8	-6.85
Stage B	-11.3	-52.85	-20.25
Stage B	-11.5	-59.71	-34.3
Stage B	-11.7	-69.5	-48.96
Stage B	-11.9	-82.35	-64.24
Stage B	-12.1	-98.37	-80.1
Stage B	-12.3	-117.68	-96.55
Stage B	-12.5	-140.39	-113.53
Stage B	-12.7	-166.59	-131.04
Stage B	-12.9	-196.4	-149.01
Stage B	-13.1	-229.88	-167.41
Stage B	-13.3	-267.11	-186.16
Stage B	-13.5	-308.15	-205.19
Stage B	-13.7	-319.47	-56.59
Stage B	-13.9	-334.66	-75.93
Stage B	-14.1	-353.71	-95.29
Stage B	-14.3	-376.62	-114.52
Stage B	-14.5	-402.6	-129.89
Stage B	-14.7	-430.64	-140.23
Stage B	-14.9	-459.74	-145.47
Stage B	-15.1	-488.86	-145.6
Stage B	-15.3	-516.97	-140.58
Stage B	-15.5	-542.99	-130.12

Design Assumption: A2+M2+R1 Risultati Paratia		Muro: LEFT	
Stage	Z (m)	Momento (kN*m/m)	Taglio (kN/m)
Stage B	-15.7	-565.84	-114.21
Stage B	-15.9	-584.42	-92.9
Stage B	-16.1	-597.66	-66.2
Stage B	-16.3	-604.49	-34.14
Stage B	-16.5	-604.7	-1.07
Stage B	-16.7	-598.43	31.34
Stage B	-16.9	-585.79	63.2
Stage B	-17.1	-567.15	93.23
Stage B	-17.3	-542.9	121.21
Stage B	-17.5	-514.31	142.97
Stage B	-17.7	-482.56	158.74
Stage B	-17.9	-448.69	169.34
Stage B	-18.1	-413.59	175.49
Stage B	-18.3	-378.02	177.87
Stage B	-18.5	-342.59	177.15
Stage B	-18.7	-307.8	173.92
Stage B	-18.9	-274.06	168.74
Stage B	-19.1	-241.63	162.12
Stage B	-19.3	-210.74	154.48
Stage B	-19.5	-181.49	146.22
Stage B	-19.7	-153.96	137.69
Stage B	-19.9	-128.12	129.17
Stage B	-20.1	-103.94	120.92
Stage B	-20.3	-82.24	108.49
Stage B	-20.5	-62.93	96.54
Stage B	-20.7	-45.9	85.16
Stage B	-20.9	-31.02	74.4
Stage B	-21.1	-18.15	64.33
Stage B	-21.3	-7.16	54.97
Stage B	-21.5	2.11	46.34
Stage B	-21.7	9.8	38.44
Stage B	-21.9	16.05	31.25
Stage B	-22.1	21	24.78
Stage B	-22.3	24.8	18.98
Stage B	-22.5	27.57	13.83
Stage B	-22.7	29.43	9.3
Stage B	-22.9	30.5	5.35
Stage B	-23.1	30.89	1.95
Stage B	-23.3	30.7	-0.96
Stage B	-23.5	30.02	-3.4
Stage B	-23.7	28.93	-5.42
Stage B	-23.9	27.52	-7.06
Stage B	-24.1	25.85	-8.34
Stage B	-24.3	23.99	-9.31
Stage B	-24.5	21.99	-10
Stage B	-24.7	19.9	-10.44
Stage B	-24.9	17.77	-10.65
Stage B	-25.1	15.64	-10.65
Stage B	-25.3	13.54	-10.48
Stage B	-25.5	11.51	-10.16
Stage B	-25.7	9.58	-9.69
Stage B	-25.9	7.76	-9.09
Stage B	-26.1	6.09	-8.37
Stage B	-26.3	4.58	-7.55
Stage B	-26.5	3.25	-6.63
Stage B	-26.7	2.13	-5.62
Stage B	-26.9	1.22	-4.52
Stage B	-27.1	0.56	-3.33
Stage B	-27.3	0.14	-2.06
Stage B	-27.5	0	-0.72

Tabella Risultati Paratia A2+M2+R1 - Left Wall - Stage: Stage 4

Design Assumption: A2+M2+R1 Risultati Paratia		Muro: LEFT	
Stage	Z (m)	Momento (kN*m/m)	Taglio (kN/m)
Stage 4	-2.5	0	-0.03
Stage 4	-2.7	-0.01	-0.03
Stage 4	-2.7	-0.01	-0.03
Stage 4	-2.9	-0.06	-0.27
Stage 4	-3.1	-0.2	-0.68
Stage 4	-3.3	-0.45	-1.26
Stage 4	-3.5	-0.85	-2.02
Stage 4	-3.7	-1.45	-2.97
Stage 4	-3.9	-2.27	-4.1
Stage 4	-4.1	-3.35	-5.42
Stage 4	-4.3	-4.74	-6.94
Stage 4	-4.5	-6.47	-8.65
Stage 4	-4.7	-8.58	-10.56
Stage 4	-4.9	-11.13	-12.75
Stage 4	-5.1	-14.16	-15.15
Stage 4	-5.3	-17.77	-18.05
Stage 4	-5.5	-22.01	-21.2
Stage 4	-5.7	-26.93	-24.57
Stage 4	-5.9	-32.56	-28.18
Stage 4	-6.1	-38.96	-32.01
Stage 4	-6.3	-46.18	-36.09
Stage 4	-6.5	-54.26	-40.38
Stage 4	-6.7	-63.24	-44.92
Stage 4	-6.9	-73.18	-49.68
Stage 4	-7.1	-84.11	-54.68
Stage 4	-7.3	-96.09	-59.9
Stage 4	-7.5	-109.16	-65.36
Stage 4	-7.7	-123.37	-71.04
Stage 4	-7.9	-138.76	-76.95
Stage 4	-8.1	-155.38	-83.09
Stage 4	-8.3	-173.27	-89.46
Stage 4	-8.5	-192.48	-96.05
Stage 4	-8.7	-138.85	268.16
Stage 4	-8.9	-86.63	261.11
Stage 4	-9.1	-35.86	253.82
Stage 4	-9.3	13.4	246.3
Stage 4	-9.5	61.11	238.56
Stage 4	-9.7	107.23	230.6
Stage 4	-9.9	151.71	222.39
Stage 4	-10.1	194.5	213.97
Stage 4	-10.3	235.49	204.91
Stage 4	-10.5	274.61	195.62
Stage 4	-10.7	311.83	186.09
Stage 4	-10.9	347.1	176.36
Stage 4	-11.1	380.38	166.38
Stage 4	-11.3	411.61	156.19
Stage 4	-11.5	440.77	145.76
Stage 4	-11.7	467.79	135.11
Stage 4	-11.9	492.64	124.23
Stage 4	-12.1	515.27	113.15
Stage 4	-12.3	535.63	101.83
Stage 4	-12.5	553.69	90.31
Stage 4	-12.7	569.4	78.55
Stage 4	-12.9	582.72	66.57
Stage 4	-13.1	593.59	54.37
Stage 4	-13.3	601.98	41.96
Stage 4	-13.5	607.85	29.33
Stage 4	-13.7	678.72	354.39
Stage 4	-13.9	746.99	341.32
Stage 4	-14.1	812.6	328.04
Stage 4	-14.3	875.51	314.54
Stage 4	-14.5	935.67	300.83
Stage 4	-14.7	993.05	286.9
Stage 4	-14.9	1047.6	272.77
Stage 4	-15.1	1099.29	258.41
Stage 4	-15.3	1148.07	243.91
Stage 4	-15.5	1193.9	229.17

Design Assumption: A2+M2+R1 Risultati Paratia		Muro: LEFT	
Stage	Z (m)	Momento (kN*m/m)	Taglio (kN/m)
Stage 4	-15.7	1236.74	214.21
Stage 4	-15.9	1276.55	199.02
Stage 4	-16.1	1313.27	183.62
Stage 4	-16.3	1346.87	168
Stage 4	-16.5	1377.3	152.15
Stage 4	-16.7	1404.52	136.08
Stage 4	-16.9	1428.48	119.79
Stage 4	-17.1	1449.13	103.28
Stage 4	-17.3	1466.44	86.55
Stage 4	-17.5	1480.36	69.59
Stage 4	-17.7	1490.85	52.43
Stage 4	-17.9	1497.85	35.03
Stage 4	-18.1	1501.34	17.42
Stage 4	-18.3	1501.26	-0.41
Stage 4	-18.5	1497.56	-18.46
Stage 4	-18.7	1490.22	-36.74
Stage 4	-18.9	1479.17	-55.22
Stage 4	-19.1	1464.39	-73.92
Stage 4	-19.3	1445.82	-92.84
Stage 4	-19.5	1423.42	-111.99
Stage 4	-19.7	1397.16	-131.35
Stage 4	-19.9	1366.97	-150.93
Stage 4	-20.1	1332.82	-170.72
Stage 4	-20.3	1294.68	-190.73
Stage 4	-20.5	1252.48	-210.96
Stage 4	-20.7	1206.2	-231.4
Stage 4	-20.9	1155.79	-252.06
Stage 4	-21.1	1101.2	-272.95
Stage 4	-21.3	1042.68	-292.63
Stage 4	-21.5	980.73	-309.72
Stage 4	-21.7	915.89	-324.2
Stage 4	-21.9	848.67	-336.09
Stage 4	-22.1	779.6	-345.38
Stage 4	-22.3	709.18	-352.07
Stage 4	-22.5	637.95	-356.16
Stage 4	-22.7	566.42	-357.66
Stage 4	-22.9	495.11	-356.55
Stage 4	-23.1	424.54	-352.84
Stage 4	-23.3	355.23	-346.52
Stage 4	-23.5	287.71	-337.62
Stage 4	-23.7	222.49	-326.11
Stage 4	-23.9	160.09	-312
Stage 4	-24.1	101.03	-295.29
Stage 4	-24.3	45.83	-275.98
Stage 4	-24.5	-4.98	-254.06
Stage 4	-24.7	-50.89	-229.55
Stage 4	-24.9	-91.37	-202.43
Stage 4	-25.1	-125.92	-172.72
Stage 4	-25.3	-154	-140.4
Stage 4	-25.5	-175.09	-105.49
Stage 4	-25.7	-188.69	-67.96
Stage 4	-25.9	-194.25	-27.84
Stage 4	-26.1	-191.33	14.62
Stage 4	-26.3	-179.51	59.11
Stage 4	-26.5	-158.38	105.62
Stage 4	-26.7	-127.56	154.12
Stage 4	-26.9	-86.64	204.61
Stage 4	-27.1	-43.1	217.68
Stage 4	-27.3	-11.78	156.63
Stage 4	-27.5	0	58.89

Tabella Risultati Paratia A2+M2+R1 - Left Wall - Stage: Stage D

Design Assumption: A2+M2+R1 Risultati Paratia		Muro: LEFT	
Stage	Z (m)	Momento (kN*m/m)	Taglio (kN/m)
Stage D	-2.5	0	-0.04
Stage D	-2.7	-0.01	-0.04
Stage D	-2.7	-0.01	-0.04
Stage D	-2.9	-0.06	-0.28
Stage D	-3.1	-0.2	-0.66
Stage D	-3.3	-0.44	-1.21
Stage D	-3.5	-0.82	-1.92
Stage D	-3.7	-1.38	-2.8
Stage D	-3.9	-2.15	-3.86
Stage D	-4.1	-3.17	-5.1
Stage D	-4.3	-4.48	-6.54
Stage D	-4.5	-6.11	-8.16
Stage D	-4.7	-8.11	-9.98
Stage D	-4.9	-10.54	-12.16
Stage D	-5.1	-13.45	-14.56
Stage D	-5.3	-16.95	-17.47
Stage D	-5.5	-21.07	-20.61
Stage D	-5.7	-25.87	-23.98
Stage D	-5.9	-31.38	-27.59
Stage D	-6.1	-37.67	-31.43
Stage D	-6.3	-44.77	-35.5
Stage D	-6.5	-52.73	-39.8
Stage D	-6.7	-61.59	-44.33
Stage D	-6.9	-71.41	-49.09
Stage D	-7.1	-82.23	-54.09
Stage D	-7.3	-94.09	-59.31
Stage D	-7.5	-107.05	-64.77
Stage D	-7.7	-121.14	-70.45
Stage D	-7.9	-136.41	-76.37
Stage D	-8.1	-152.91	-82.5
Stage D	-8.3	-170.69	-88.88
Stage D	-8.5	-189.78	-95.47
Stage D	-8.7	-136.01	268.86
Stage D	-8.9	-83.64	261.82
Stage D	-9.1	-32.74	254.52
Stage D	-9.3	16.66	247.01
Stage D	-9.5	64.51	239.26
Stage D	-9.7	110.77	231.3
Stage D	-9.9	155.39	223.1
Stage D	-10.1	198.33	214.68
Stage D	-10.3	239.45	205.61
Stage D	-10.5	278.72	196.32
Stage D	-10.7	316.08	186.79
Stage D	-10.9	351.49	177.06
Stage D	-11.1	384.9	167.08
Stage D	-11.3	416.28	156.89
Stage D	-11.5	445.57	146.46
Stage D	-11.7	472.74	135.82
Stage D	-11.9	497.72	124.94
Stage D	-12.1	520.5	113.85
Stage D	-12.3	541	102.54
Stage D	-12.5	559.2	91.01
Stage D	-12.7	575.05	79.25
Stage D	-12.9	588.51	67.27
Stage D	-13.1	599.52	55.07
Stage D	-13.3	608.06	42.66
Stage D	-13.5	614.06	30.03
Stage D	-13.7	685.11	355.22
Stage D	-13.9	753.54	342.15
Stage D	-14.1	819.31	328.88
Stage D	-14.3	882.39	315.38
Stage D	-14.5	942.72	301.67
Stage D	-14.7	1000.27	287.73
Stage D	-14.9	1054.99	273.6
Stage D	-15.1	1106.84	259.25
Stage D	-15.3	1155.79	244.74
Stage D	-15.5	1201.79	230

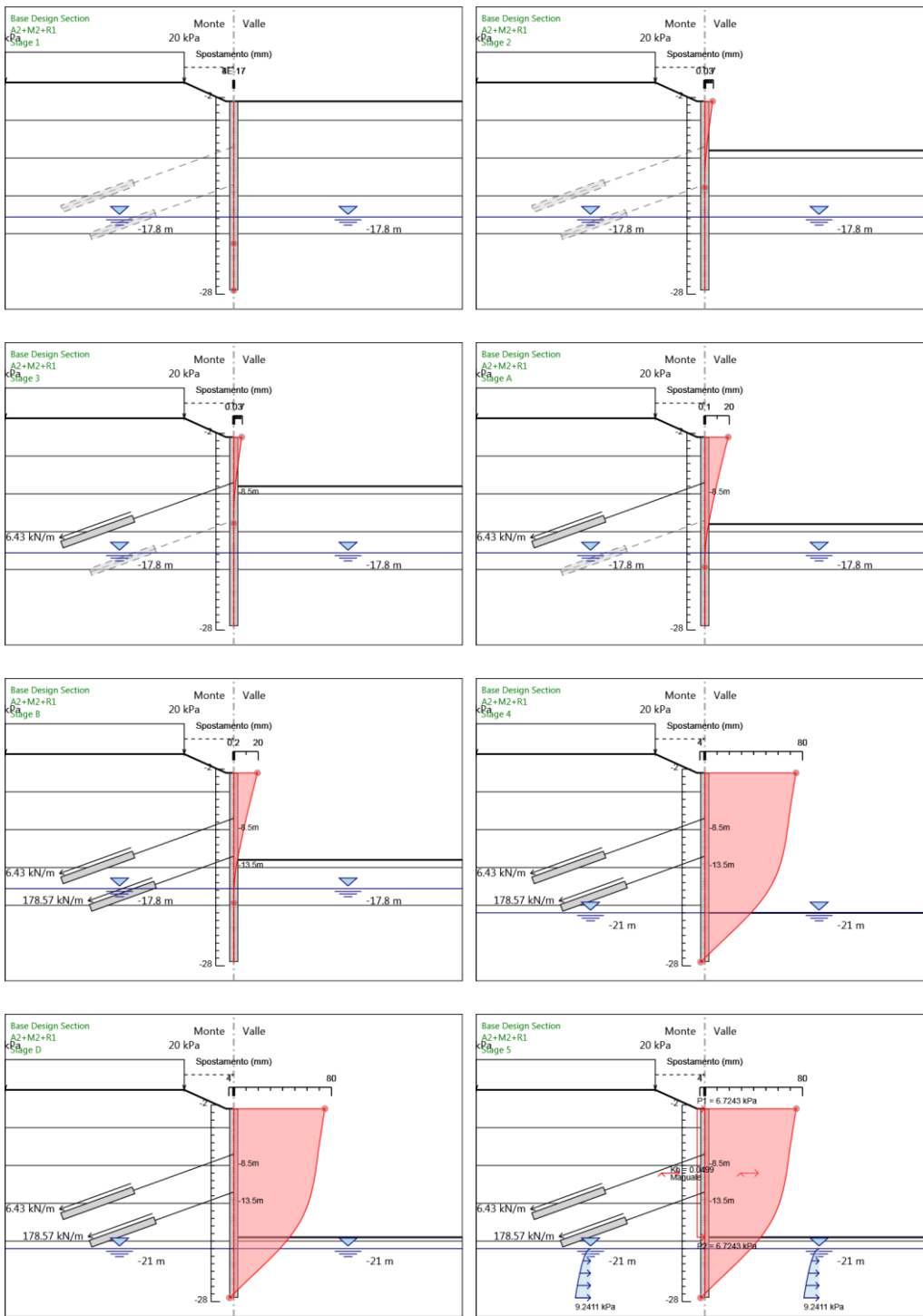
Design Assumption: A2+M2+R1 Risultati Paratia		Muro: LEFT	
Stage	Z (m)	Momento (kN*m/m)	Taglio (kN/m)
Stage D	-15.7	1244.8	215.04
Stage D	-15.9	1284.77	199.86
Stage D	-16.1	1321.66	184.46
Stage D	-16.3	1355.42	168.83
Stage D	-16.5	1386.02	152.99
Stage D	-16.7	1413.41	136.92
Stage D	-16.9	1437.53	120.63
Stage D	-17.1	1458.35	104.11
Stage D	-17.3	1475.83	87.38
Stage D	-17.5	1489.92	70.43
Stage D	-17.7	1500.57	53.26
Stage D	-17.9	1507.74	35.83
Stage D	-18.1	1511.33	17.98
Stage D	-18.3	1511.27	-0.32
Stage D	-18.5	1507.45	-19.07
Stage D	-18.7	1499.8	-38.28
Stage D	-18.9	1488.21	-57.95
Stage D	-19.1	1472.59	-78.1
Stage D	-19.3	1452.84	-98.73
Stage D	-19.5	1428.87	-119.86
Stage D	-19.7	1400.57	-141.48
Stage D	-19.9	1367.89	-163.4
Stage D	-20.1	1330.77	-185.61
Stage D	-20.3	1289.32	-207.23
Stage D	-20.5	1243.51	-229.05
Stage D	-20.7	1193.29	-251.09
Stage D	-20.9	1138.67	-273.1
Stage D	-21.1	1079.67	-295
Stage D	-21.3	1018.32	-306.77
Stage D	-21.5	954.72	-317.98
Stage D	-21.7	889.15	-327.87
Stage D	-21.9	821.92	-336.15
Stage D	-22.1	753.39	-342.62
Stage D	-22.3	683.97	-347.14
Stage D	-22.5	614.05	-349.59
Stage D	-22.7	544.07	-349.9
Stage D	-22.9	474.47	-347.97
Stage D	-23.1	405.72	-343.77
Stage D	-23.3	338.27	-337.22
Stage D	-23.5	272.61	-328.29
Stage D	-23.7	209.23	-316.93
Stage D	-23.9	148.61	-303.11
Stage D	-24.1	91.25	-286.78
Stage D	-24.3	37.66	-267.93
Stage D	-24.5	-11.64	-246.53
Stage D	-24.7	-56.15	-222.56
Stage D	-24.9	-95.35	-196
Stage D	-25.1	-128.72	-166.85
Stage D	-25.3	-155.74	-135.08
Stage D	-25.5	-175.88	-100.69
Stage D	-25.7	-188.63	-63.75
Stage D	-25.9	-193.53	-24.5
Stage D	-26.1	-190.18	16.74
Stage D	-26.3	-178.17	60.05
Stage D	-26.5	-157.06	105.56
Stage D	-26.7	-126.41	153.24
Stage D	-26.9	-85.8	203.07
Stage D	-27.1	-42.61	215.96
Stage D	-27.3	-11.65	154.79
Stage D	-27.5	0	58.25

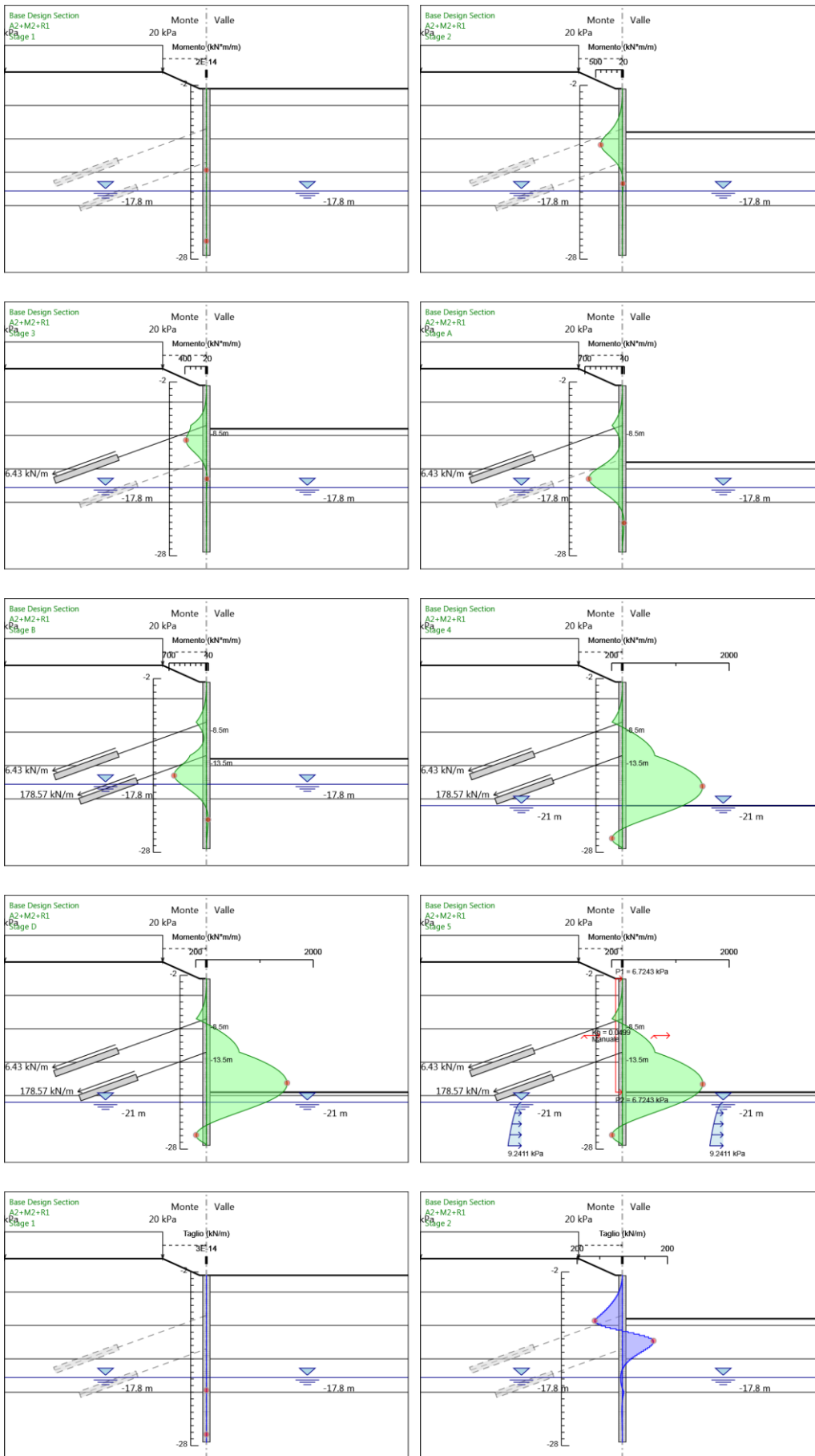
Tabella Risultati Paratia A2+M2+R1 - Left Wall - Stage: Stage 5

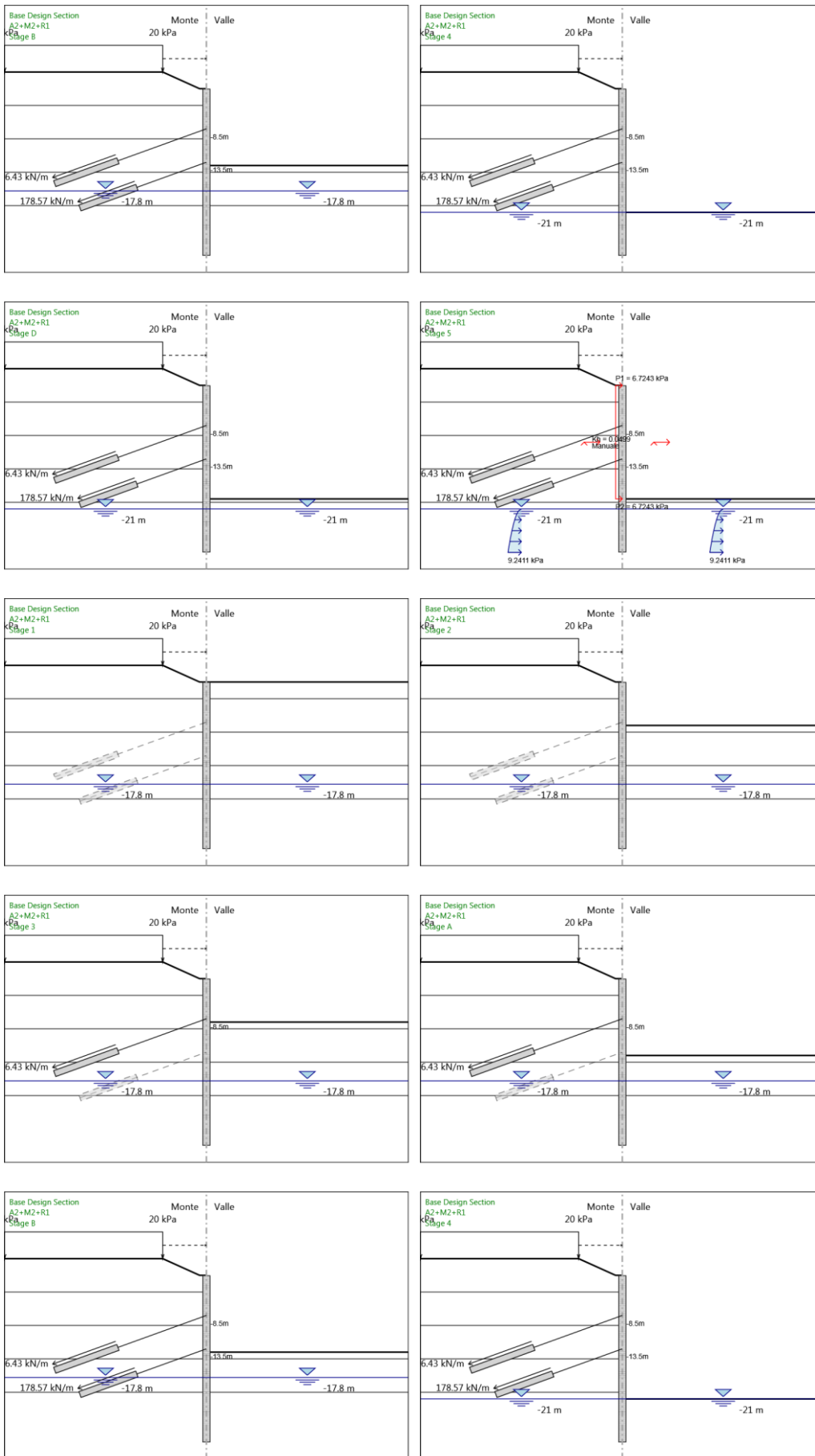
Design Assumption: A2+M2+R1 Risultati Paratia		Muro: LEFT	
Stage	Z (m)	Momento (kN*m/m)	Taglio (kN/m)
Stage 5	-2.5	0	-0.01
Stage 5	-2.7	0	-0.01
Stage 5	-2.7	0	-0.01
Stage 5	-2.9	-0.04	-0.2
Stage 5	-3.1	-0.16	-0.57
Stage 5	-3.3	-0.38	-1.14
Stage 5	-3.5	-0.76	-1.89
Stage 5	-3.7	-1.33	-2.84
Stage 5	-3.9	-2.13	-3.99
Stage 5	-4.1	-3.2	-5.34
Stage 5	-4.3	-4.57	-6.89
Stage 5	-4.5	-6.31	-8.66
Stage 5	-4.7	-8.43	-10.63
Stage 5	-4.9	-10.99	-12.82
Stage 5	-5.1	-14.04	-15.22
Stage 5	-5.3	-17.66	-18.12
Stage 5	-5.5	-21.92	-21.27
Stage 5	-5.7	-26.84	-24.64
Stage 5	-5.9	-32.49	-28.25
Stage 5	-6.1	-38.91	-32.08
Stage 5	-6.3	-46.14	-36.15
Stage 5	-6.5	-54.23	-40.45
Stage 5	-6.7	-63.23	-44.99
Stage 5	-6.9	-73.17	-49.75
Stage 5	-7.1	-84.12	-54.75
Stage 5	-7.3	-96.12	-59.97
Stage 5	-7.5	-109.2	-65.42
Stage 5	-7.7	-123.42	-71.1
Stage 5	-7.9	-138.83	-77.02
Stage 5	-8.1	-155.46	-83.16
Stage 5	-8.3	-173.36	-89.53
Stage 5	-8.5	-192.59	-96.12
Stage 5	-8.7	-138.87	268.59
Stage 5	-8.9	-86.56	261.54
Stage 5	-9.1	-35.71	254.25
Stage 5	-9.3	13.63	246.73
Stage 5	-9.5	61.43	238.99
Stage 5	-9.7	107.64	231.02
Stage 5	-9.9	152.2	222.82
Stage 5	-10.1	195.08	214.4
Stage 5	-10.3	236.15	205.33
Stage 5	-10.5	275.36	196.05
Stage 5	-10.7	312.66	186.52
Stage 5	-10.9	348.02	176.78
Stage 5	-11.1	381.38	166.81
Stage 5	-11.3	412.7	156.62
Stage 5	-11.5	441.94	146.19
Stage 5	-11.7	469.05	135.54
Stage 5	-11.9	493.98	124.66
Stage 5	-12.1	516.69	113.58
Stage 5	-12.3	537.15	102.26
Stage 5	-12.5	555.29	90.73
Stage 5	-12.7	571.09	78.97
Stage 5	-12.9	584.49	67
Stage 5	-13.1	595.44	54.8
Stage 5	-13.3	603.92	42.38
Stage 5	-13.5	609.87	29.75
Stage 5	-13.7	680.89	355.08
Stage 5	-13.9	749.29	342.01
Stage 5	-14.1	815.04	328.74
Stage 5	-14.3	878.09	315.24
Stage 5	-14.5	938.39	301.53
Stage 5	-14.7	995.91	287.59
Stage 5	-14.9	1050.6	273.46
Stage 5	-15.1	1102.42	259.11
Stage 5	-15.3	1151.34	244.6
Stage 5	-15.5	1197.31	229.86

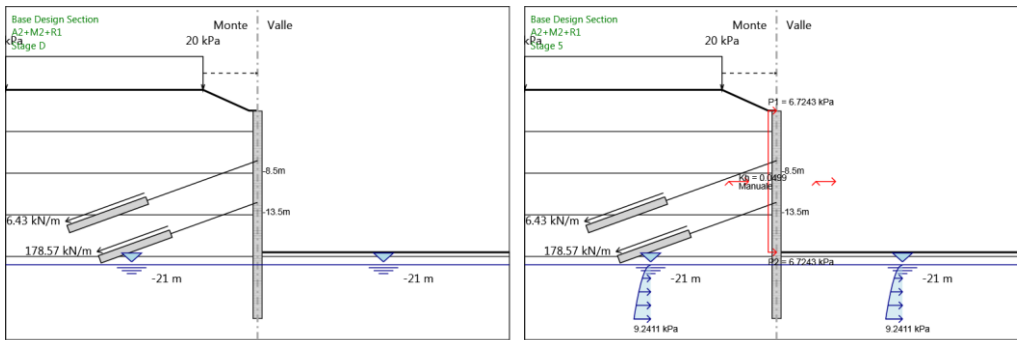
Design Assumption: A2+M2+R1 Risultati Paratia		Muro: LEFT	
Stage	Z (m)	Momento (kN*m/m)	Taglio (kN/m)
Stage 5	-15.7	1240.29	214.9
Stage 5	-15.9	1280.24	199.71
Stage 5	-16.1	1317.1	184.32
Stage 5	-16.3	1350.84	168.69
Stage 5	-16.5	1381.41	152.85
Stage 5	-16.7	1408.76	136.78
Stage 5	-16.9	1432.86	120.49
Stage 5	-17.1	1453.66	103.97
Stage 5	-17.3	1471.1	87.24
Stage 5	-17.5	1485.16	70.29
Stage 5	-17.7	1495.78	53.12
Stage 5	-17.9	1502.93	35.73
Stage 5	-18.1	1506.55	18.12
Stage 5	-18.3	1506.57	0.09
Stage 5	-18.5	1502.88	-18.44
Stage 5	-18.7	1495.39	-37.47
Stage 5	-18.9	1483.99	-57
Stage 5	-19.1	1468.58	-77.04
Stage 5	-19.3	1449.06	-97.6
Stage 5	-19.5	1425.33	-118.68
Stage 5	-19.7	1397.27	-140.27
Stage 5	-19.9	1364.85	-162.12
Stage 5	-20.1	1327.99	-184.29
Stage 5	-20.3	1286.81	-205.89
Stage 5	-20.5	1241.27	-227.72
Stage 5	-20.7	1191.31	-249.78
Stage 5	-20.9	1136.94	-271.85
Stage 5	-21.1	1078.18	-293.84
Stage 5	-21.3	1017.04	-305.69
Stage 5	-21.5	953.64	-316.98
Stage 5	-21.7	888.25	-326.96
Stage 5	-21.9	821.18	-335.33
Stage 5	-22.1	752.81	-341.88
Stage 5	-22.3	683.51	-346.48
Stage 5	-22.5	613.71	-349.01
Stage 5	-22.7	543.83	-349.39
Stage 5	-22.9	474.32	-347.54
Stage 5	-23.1	405.64	-343.4
Stage 5	-23.3	338.25	-336.92
Stage 5	-23.5	272.64	-328.04
Stage 5	-23.7	209.3	-316.73
Stage 5	-23.9	148.71	-302.96
Stage 5	-24.1	91.37	-286.67
Stage 5	-24.3	37.8	-267.86
Stage 5	-24.5	-11.5	-246.49
Stage 5	-24.7	-56.01	-222.55
Stage 5	-24.9	-95.21	-196.01
Stage 5	-25.1	-128.58	-166.88
Stage 5	-25.3	-155.61	-135.13
Stage 5	-25.5	-175.76	-100.75
Stage 5	-25.7	-188.53	-63.82
Stage 5	-25.9	-193.44	-24.57
Stage 5	-26.1	-190.11	16.66
Stage 5	-26.3	-178.11	59.97
Stage 5	-26.5	-157.02	105.48
Stage 5	-26.7	-126.38	153.17
Stage 5	-26.9	-85.78	203.01
Stage 5	-27.1	-42.6	215.91
Stage 5	-27.3	-11.65	154.76
Stage 5	-27.5	0	58.24

Tabella Grafici dei Risultati









Risultati Elementi strutturali - A2+M2+R1

Design Assumption: A2+M2+R1 Sollecitazione Tieback

Stage	Forza (kN/m)
Stage 3	196.4
Stage A	221.577
Stage B	221.6958
Stage 4	394.854
Stage D	394.9778
Stage 5	395.3797

Design Assumption: A2+M2+R1 Sollecitazione Tieback_New

Stage	Forza (kN/m)
Stage B	178.6
Stage 4	359.5851
Stage D	359.7262
Stage 5	359.8694

Risultati SISMICA STR

Tabella Risultati Paratia SISMICA STR - Left Wall - Stage: Stage 1

Design Assumption: SISMICA STR Risultati Paratia		Muro: LEFT	
Stage	Z (m)	Momento (kN*m/m)	Taglio (kN/m)
Stage 1	-2.5	0	0
Stage 1	-2.7	0	0
Stage 1	-2.9	0	0
Stage 1	-3.1	0	0
Stage 1	-3.3	0	0
Stage 1	-3.5	0	0
Stage 1	-3.7	0	0
Stage 1	-3.9	0	0
Stage 1	-4.1	0	0
Stage 1	-4.3	0	0
Stage 1	-4.5	0	0
Stage 1	-4.7	0	0
Stage 1	-4.9	0	0
Stage 1	-5.1	0	0
Stage 1	-5.3	0	0
Stage 1	-5.5	0	0
Stage 1	-5.7	0	0
Stage 1	-5.9	0	0
Stage 1	-6.1	0	0
Stage 1	-6.3	0	0
Stage 1	-6.5	0	0
Stage 1	-6.7	0	0
Stage 1	-6.9	0	0
Stage 1	-7.1	0	0
Stage 1	-7.3	0	0
Stage 1	-7.5	0	0
Stage 1	-7.7	0	0
Stage 1	-7.9	0	0
Stage 1	-8.1	0	0
Stage 1	-8.3	0	0
Stage 1	-8.5	0	0
Stage 1	-8.7	0	0
Stage 1	-8.9	0	0
Stage 1	-9.1	0	0
Stage 1	-9.3	0	0
Stage 1	-9.5	0	0
Stage 1	-9.7	0	0
Stage 1	-9.9	0	0
Stage 1	-10.1	0	0
Stage 1	-10.3	0	0
Stage 1	-10.5	0	0
Stage 1	-10.7	0	0
Stage 1	-10.9	0	0
Stage 1	-11.1	0	0
Stage 1	-11.3	0	0
Stage 1	-11.5	0	0
Stage 1	-11.7	0	0
Stage 1	-11.9	0	0
Stage 1	-12.1	0	0
Stage 1	-12.3	0	0
Stage 1	-12.5	0	0
Stage 1	-12.7	0	0
Stage 1	-12.9	0	0
Stage 1	-13.1	0	0
Stage 1	-13.3	0	0
Stage 1	-13.5	0	0
Stage 1	-13.7	0	0
Stage 1	-13.9	0	0
Stage 1	-14.1	0	0
Stage 1	-14.3	0	0
Stage 1	-14.5	0	0
Stage 1	-14.7	0	0
Stage 1	-14.9	0	0
Stage 1	-15.1	0	0

Design Assumption: SISMICA STR Risultati Paratia		Muro: LEFT	
Stage	Z (m)	Momento (kN*m/m)	Taglio (kN/m)
Stage 1	-15.3	0	0
Stage 1	-15.5	0	0
Stage 1	-15.7	0	0
Stage 1	-15.9	0	0
Stage 1	-16.1	0	0
Stage 1	-16.3	0	0
Stage 1	-16.5	0	0
Stage 1	-16.7	0	0
Stage 1	-16.9	0	0
Stage 1	-17.1	0	0
Stage 1	-17.3	0	0
Stage 1	-17.5	0	0
Stage 1	-17.7	0	0
Stage 1	-17.9	0	0
Stage 1	-18.1	0	0
Stage 1	-18.3	0	0
Stage 1	-18.5	0	0
Stage 1	-18.7	0	0
Stage 1	-18.9	0	0
Stage 1	-19.1	0	0
Stage 1	-19.3	0	0
Stage 1	-19.5	0	0
Stage 1	-19.7	0	0
Stage 1	-19.9	0	0
Stage 1	-20.1	0	0
Stage 1	-20.3	0	0
Stage 1	-20.5	0	0
Stage 1	-20.7	0	0
Stage 1	-20.9	0	0
Stage 1	-21.1	0	0
Stage 1	-21.3	0	0
Stage 1	-21.5	0	0
Stage 1	-21.7	0	0
Stage 1	-21.9	0	0
Stage 1	-22.1	0	0
Stage 1	-22.3	0	0
Stage 1	-22.5	0	0
Stage 1	-22.7	0	0
Stage 1	-22.9	0	0
Stage 1	-23.1	0	0
Stage 1	-23.3	0	0
Stage 1	-23.5	0	0
Stage 1	-23.7	0	0
Stage 1	-23.9	0	0
Stage 1	-24.1	0	0
Stage 1	-24.3	0	0
Stage 1	-24.5	0	0
Stage 1	-24.7	0	0
Stage 1	-24.9	0	0
Stage 1	-25.1	0	0
Stage 1	-25.3	0	0
Stage 1	-25.5	0	0
Stage 1	-25.7	0	0
Stage 1	-25.9	0	0
Stage 1	-26.1	0	0
Stage 1	-26.3	0	0
Stage 1	-26.5	0	0
Stage 1	-26.7	0	0
Stage 1	-26.9	0	0
Stage 1	-27.1	0	0
Stage 1	-27.3	0	0
Stage 1	-27.5	0	0

Tabella Risultati Paratia SISMICA STR - Left Wall - Stage: Stage 2

Design Assumption: SISMICA STR Risultati Paratia		Muro: LEFT	
Stage	Z (m)	Momento (kN*m/m)	Taglio (kN/m)
Stage 2	-2.5	0	0
Stage 2	-2.7	0	0
Stage 2	-2.7	0	0
Stage 2	-2.9	-0.03	-0.14
Stage 2	-3.1	-0.11	-0.42
Stage 2	-3.3	-0.28	-0.84
Stage 2	-3.5	-0.56	-1.4
Stage 2	-3.7	-0.98	-2.1
Stage 2	-3.9	-1.57	-2.95
Stage 2	-4.1	-2.36	-3.95
Stage 2	-4.3	-3.38	-5.1
Stage 2	-4.5	-4.66	-6.41
Stage 2	-4.7	-6.24	-7.87
Stage 2	-4.9	-8.14	-9.49
Stage 2	-5.1	-10.39	-11.27
Stage 2	-5.3	-13.08	-13.46
Stage 2	-5.5	-16.25	-15.84
Stage 2	-5.7	-19.92	-18.38
Stage 2	-5.9	-24.14	-21.1
Stage 2	-6.1	-28.94	-23.99
Stage 2	-6.3	-34.36	-27.07
Stage 2	-6.5	-40.42	-30.31
Stage 2	-6.7	-47.17	-33.73
Stage 2	-6.9	-54.63	-37.32
Stage 2	-7.1	-62.85	-41.1
Stage 2	-7.3	-71.86	-45.03
Stage 2	-7.5	-81.69	-49.15
Stage 2	-7.7	-92.37	-53.44
Stage 2	-7.9	-103.95	-57.9
Stage 2	-8.1	-116.46	-62.53
Stage 2	-8.3	-129.93	-67.34
Stage 2	-8.5	-144.39	-72.31
Stage 2	-8.7	-159.88	-77.46
Stage 2	-8.9	-176.44	-82.78
Stage 2	-9.1	-194.09	-88.28
Stage 2	-9.3	-212.06	-89.83
Stage 2	-9.5	-228.72	-83.32
Stage 2	-9.7	-242.47	-68.73
Stage 2	-9.9	-251.78	-46.56
Stage 2	-10.1	-256.86	-25.42
Stage 2	-10.3	-257.37	-2.51
Stage 2	-10.5	-253.5	19.31
Stage 2	-10.7	-245.54	39.84
Stage 2	-10.9	-233.92	58.1
Stage 2	-11.1	-219.6	71.58
Stage 2	-11.3	-203.42	80.92
Stage 2	-11.5	-186.07	86.72
Stage 2	-11.7	-168.16	89.56
Stage 2	-11.9	-150.17	89.95
Stage 2	-12.1	-132.5	88.36
Stage 2	-12.3	-115.46	85.2
Stage 2	-12.5	-99.29	80.85
Stage 2	-12.7	-84.16	75.62
Stage 2	-12.9	-70.21	69.79
Stage 2	-13.1	-57.49	63.6
Stage 2	-13.3	-46.04	57.24
Stage 2	-13.5	-35.86	50.88
Stage 2	-13.7	-26.93	44.63
Stage 2	-13.9	-19.21	38.6
Stage 2	-14.1	-12.64	32.87
Stage 2	-14.3	-7.15	27.47
Stage 2	-14.5	-2.66	22.45
Stage 2	-14.7	0.91	17.83
Stage 2	-14.9	3.63	13.61
Stage 2	-15.1	5.59	9.78
Stage 2	-15.3	6.95	6.82
Stage 2	-15.5	7.8	4.24

Design Assumption: SISMICA STR Risultati Paratia		Muro: LEFT	
Stage	Z (m)	Momento (kN*m/m)	Taglio (kN/m)
Stage 2	-15.7	8.21	2.03
Stage 2	-15.9	8.24	0.15
Stage 2	-16.1	7.95	-1.42
Stage 2	-16.3	7.41	-2.7
Stage 2	-16.5	6.67	-3.73
Stage 2	-16.7	5.76	-4.52
Stage 2	-16.9	4.75	-5.09
Stage 2	-17.1	3.65	-5.47
Stage 2	-17.3	2.52	-5.67
Stage 2	-17.5	1.38	-5.7
Stage 2	-17.7	0.27	-5.57
Stage 2	-17.9	-0.79	-5.29
Stage 2	-18.1	-1.76	-4.86
Stage 2	-18.3	-2.62	-4.28
Stage 2	-18.5	-3.33	-3.56
Stage 2	-18.7	-3.87	-2.69
Stage 2	-18.9	-4.2	-1.65
Stage 2	-19.1	-4.29	-0.44
Stage 2	-19.3	-4.09	0.97
Stage 2	-19.5	-3.58	2.57
Stage 2	-19.7	-2.7	4.39
Stage 2	-19.9	-1.42	6.42
Stage 2	-20.1	0.32	8.69
Stage 2	-20.3	1.73	7.05
Stage 2	-20.5	2.85	5.59
Stage 2	-20.7	3.71	4.28
Stage 2	-20.9	4.33	3.14
Stage 2	-21.1	4.76	2.15
Stage 2	-21.3	5.02	1.3
Stage 2	-21.5	5.14	0.59
Stage 2	-21.7	5.14	-0.01
Stage 2	-21.9	5.04	-0.49
Stage 2	-22.1	4.86	-0.88
Stage 2	-22.3	4.63	-1.18
Stage 2	-22.5	4.35	-1.4
Stage 2	-22.7	4.04	-1.55
Stage 2	-22.9	3.71	-1.64
Stage 2	-23.1	3.38	-1.69
Stage 2	-23.3	3.04	-1.69
Stage 2	-23.5	2.71	-1.66
Stage 2	-23.7	2.38	-1.6
Stage 2	-23.9	2.08	-1.52
Stage 2	-24.1	1.79	-1.43
Stage 2	-24.3	1.53	-1.32
Stage 2	-24.5	1.29	-1.21
Stage 2	-24.7	1.07	-1.09
Stage 2	-24.9	0.87	-0.98
Stage 2	-25.1	0.7	-0.86
Stage 2	-25.3	0.55	-0.74
Stage 2	-25.5	0.43	-0.64
Stage 2	-25.7	0.32	-0.53
Stage 2	-25.9	0.23	-0.44
Stage 2	-26.1	0.16	-0.35
Stage 2	-26.3	0.11	-0.27
Stage 2	-26.5	0.06	-0.2
Stage 2	-26.7	0.04	-0.14
Stage 2	-26.9	0.02	-0.1
Stage 2	-27.1	0.01	-0.05
Stage 2	-27.3	0	-0.02
Stage 2	-27.5	0	0

Tabella Risultati Paratia SISMICA STR - Left Wall - Stage: Stage 3

Design Assumption: SISMICA STR Risultati Paratia		Muro: LEFT	
Stage	Z (m)	Momento (kN*m/m)	Taglio (kN/m)
Stage 3	-2.5	0	0
Stage 3	-2.7	0	0
Stage 3	-2.9	-0.03	-0.14
Stage 3	-3.1	-0.11	-0.42
Stage 3	-3.3	-0.28	-0.84
Stage 3	-3.5	-0.56	-1.4
Stage 3	-3.7	-0.98	-2.1
Stage 3	-3.9	-1.57	-2.95
Stage 3	-4.1	-2.36	-3.95
Stage 3	-4.3	-3.38	-5.1
Stage 3	-4.5	-4.66	-6.41
Stage 3	-4.7	-6.24	-7.87
Stage 3	-4.9	-8.14	-9.49
Stage 3	-5.1	-10.39	-11.27
Stage 3	-5.3	-13.1	-13.55
Stage 3	-5.5	-16.43	-16.63
Stage 3	-5.7	-20.53	-20.49
Stage 3	-5.9	-25.55	-25.15
Stage 3	-6.1	-31.67	-30.58
Stage 3	-6.3	-39.03	-36.8
Stage 3	-6.5	-47.79	-43.8
Stage 3	-6.7	-58.11	-51.58
Stage 3	-6.9	-70.13	-60.1
Stage 3	-7.1	-84	-69.38
Stage 3	-7.3	-99.88	-79.36
Stage 3	-7.5	-117.88	-90.03
Stage 3	-7.7	-138.15	-101.33
Stage 3	-7.9	-160.79	-113.21
Stage 3	-8.1	-185.91	-125.59
Stage 3	-8.3	-213.58	-138.38
Stage 3	-8.5	-243.88	-151.46
Stage 3	-8.7	-239.9	19.85
Stage 3	-8.9	-238.58	6.6
Stage 3	-9.1	-239.89	-6.54
Stage 3	-9.3	-243.58	-18.44
Stage 3	-9.5	-247.91	-21.62
Stage 3	-9.7	-251.1	-15.98
Stage 3	-9.9	-251.5	-1.98
Stage 3	-10.1	-249.14	11.81
Stage 3	-10.3	-243.82	26.58
Stage 3	-10.5	-235.57	41.25
Stage 3	-10.7	-224.46	55.55
Stage 3	-10.9	-210.76	68.48
Stage 3	-11.1	-195.28	77.44
Stage 3	-11.3	-178.67	83.03
Stage 3	-11.5	-161.52	85.78
Stage 3	-11.7	-144.28	86.18
Stage 3	-11.9	-127.34	84.68
Stage 3	-12.1	-111.01	81.68
Stage 3	-12.3	-95.5	77.53
Stage 3	-12.5	-80.99	72.55
Stage 3	-12.7	-67.59	66.99
Stage 3	-12.9	-55.37	61.09
Stage 3	-13.1	-44.37	55.02
Stage 3	-13.3	-34.58	48.94
Stage 3	-13.5	-25.99	42.98
Stage 3	-13.7	-18.54	37.22
Stage 3	-13.9	-12.19	31.75
Stage 3	-14.1	-6.87	26.6
Stage 3	-14.3	-2.51	21.81
Stage 3	-14.5	0.97	17.4
Stage 3	-14.7	3.64	13.37
Stage 3	-14.9	5.58	9.71
Stage 3	-15.1	6.87	6.42
Stage 3	-15.3	7.66	3.99
Stage 3	-15.5	8.04	1.9
Stage 3	-15.7	8.07	0.12

Design Assumption: SISMICA STR Risultati Paratia		Muro: LEFT	
Stage	Z (m)	Momento (kN*m/m)	Taglio (kN/m)
Stage 3	-15.9	7.8	-1.36
Stage 3	-16.1	7.28	-2.58
Stage 3	-16.3	6.57	-3.56
Stage 3	-16.5	5.7	-4.32
Stage 3	-16.7	4.73	-4.88
Stage 3	-16.9	3.67	-5.27
Stage 3	-17.1	2.57	-5.49
Stage 3	-17.3	1.46	-5.57
Stage 3	-17.5	0.36	-5.5
Stage 3	-17.7	-0.7	-5.3
Stage 3	-17.9	-1.69	-4.96
Stage 3	-18.1	-2.59	-4.5
Stage 3	-18.3	-3.37	-3.91
Stage 3	-18.5	-4.01	-3.18
Stage 3	-18.7	-4.47	-2.31
Stage 3	-18.9	-4.73	-1.28
Stage 3	-19.1	-4.74	-0.08
Stage 3	-19.3	-4.49	1.3
Stage 3	-19.5	-3.91	2.87
Stage 3	-19.7	-2.98	4.66
Stage 3	-19.9	-1.64	6.67
Stage 3	-20.1	0.14	8.91
Stage 3	-20.3	1.59	7.25
Stage 3	-20.5	2.74	5.75
Stage 3	-20.7	3.62	4.43
Stage 3	-20.9	4.28	3.27
Stage 3	-21.1	4.73	2.26
Stage 3	-21.3	5.01	1.39
Stage 3	-21.5	5.14	0.66
Stage 3	-21.7	5.15	0.05
Stage 3	-21.9	5.06	-0.44
Stage 3	-22.1	4.89	-0.84
Stage 3	-22.3	4.67	-1.15
Stage 3	-22.5	4.39	-1.38
Stage 3	-22.7	4.08	-1.53
Stage 3	-22.9	3.76	-1.64
Stage 3	-23.1	3.42	-1.69
Stage 3	-23.3	3.08	-1.69
Stage 3	-23.5	2.75	-1.67
Stage 3	-23.7	2.42	-1.61
Stage 3	-23.9	2.12	-1.54
Stage 3	-24.1	1.83	-1.44
Stage 3	-24.3	1.56	-1.34
Stage 3	-24.5	1.32	-1.23
Stage 3	-24.7	1.09	-1.11
Stage 3	-24.9	0.9	-0.99
Stage 3	-25.1	0.72	-0.87
Stage 3	-25.3	0.57	-0.76
Stage 3	-25.5	0.44	-0.65
Stage 3	-25.7	0.33	-0.55
Stage 3	-25.9	0.24	-0.45
Stage 3	-26.1	0.17	-0.36
Stage 3	-26.3	0.11	-0.28
Stage 3	-26.5	0.07	-0.21
Stage 3	-26.7	0.04	-0.15
Stage 3	-26.9	0.02	-0.1
Stage 3	-27.1	0.01	-0.06
Stage 3	-27.3	0	-0.03
Stage 3	-27.5	0	-0.01

Tabella Risultati Paratia SISMICA STR - Left Wall - Stage: Stage A

Design Assumption: SISMICA STR Risultati Paratia		Muro: LEFT	
Stage	Z (m)	Momento (kN*m/m)	Taglio (kN/m)
Stage A	-2.5	0	0
Stage A	-2.7	0	0
Stage A	-2.7	0	0
Stage A	-2.9	-0.03	-0.14
Stage A	-3.1	-0.11	-0.42
Stage A	-3.3	-0.28	-0.84
Stage A	-3.5	-0.56	-1.4
Stage A	-3.7	-0.98	-2.1
Stage A	-3.9	-1.57	-2.95
Stage A	-4.1	-2.36	-3.95
Stage A	-4.3	-3.38	-5.1
Stage A	-4.5	-4.66	-6.41
Stage A	-4.7	-6.24	-7.87
Stage A	-4.9	-8.14	-9.49
Stage A	-5.1	-10.39	-11.27
Stage A	-5.3	-13.08	-13.46
Stage A	-5.5	-16.25	-15.84
Stage A	-5.7	-19.92	-18.38
Stage A	-5.9	-24.14	-21.1
Stage A	-6.1	-28.94	-23.99
Stage A	-6.3	-34.36	-27.07
Stage A	-6.5	-40.42	-30.31
Stage A	-6.7	-47.17	-33.73
Stage A	-6.9	-54.63	-37.32
Stage A	-7.1	-62.85	-41.1
Stage A	-7.3	-71.86	-45.03
Stage A	-7.5	-81.69	-49.15
Stage A	-7.7	-92.37	-53.44
Stage A	-7.9	-103.95	-57.9
Stage A	-8.1	-116.46	-62.53
Stage A	-8.3	-129.93	-67.34
Stage A	-8.5	-144.39	-72.31
Stage A	-8.7	-122.33	110.31
Stage A	-8.9	-101.33	104.99
Stage A	-9.1	-81.43	99.49
Stage A	-9.3	-62.67	93.82
Stage A	-9.5	-45.07	87.98
Stage A	-9.7	-28.67	81.98
Stage A	-9.9	-13.51	75.8
Stage A	-10.1	0.37	69.45
Stage A	-10.3	12.89	62.59
Stage A	-10.5	24.01	55.57
Stage A	-10.7	33.68	48.36
Stage A	-10.9	41.88	41
Stage A	-11.1	48.57	33.46
Stage A	-11.3	53.72	25.75
Stage A	-11.5	57.29	17.86
Stage A	-11.7	59.26	9.81
Stage A	-11.9	59.57	1.59
Stage A	-12.1	58.21	-6.79
Stage A	-12.3	55.14	-15.35
Stage A	-12.5	50.33	-24.07
Stage A	-12.7	43.74	-32.96
Stage A	-12.9	35.34	-42.01
Stage A	-13.1	25.09	-51.24
Stage A	-13.3	12.96	-60.62
Stage A	-13.5	-1.07	-70.17
Stage A	-13.7	-17.05	-79.88
Stage A	-13.9	-35	-89.76
Stage A	-14.1	-54.96	-99.8
Stage A	-14.3	-76.22	-106.3
Stage A	-14.5	-97.33	-105.54
Stage A	-14.7	-116.83	-97.53
Stage A	-14.9	-133.29	-82.27
Stage A	-15.1	-145.85	-62.83
Stage A	-15.3	-154.38	-42.64
Stage A	-15.5	-159.25	-24.37

Design Assumption: SISMICA STR Risultati Paratia		Muro: LEFT	
Stage	Z (m)	Momento (kN*m/m)	Taglio (kN/m)
Stage A	-15.7	-161.03	-8.85
Stage A	-15.9	-160.2	4.12
Stage A	-16.1	-157.25	14.77
Stage A	-16.3	-152.58	23.31
Stage A	-16.5	-146.59	29.98
Stage A	-16.7	-139.59	35
Stage A	-16.9	-131.87	38.58
Stage A	-17.1	-123.68	40.94
Stage A	-17.3	-115.23	42.28
Stage A	-17.5	-106.67	42.79
Stage A	-17.7	-98.14	42.65
Stage A	-17.9	-89.73	42.03
Stage A	-18.1	-81.52	41.05
Stage A	-18.3	-73.56	39.82
Stage A	-18.5	-65.86	38.47
Stage A	-18.7	-58.43	37.14
Stage A	-18.9	-51.25	35.95
Stage A	-19.1	-44.25	34.98
Stage A	-19.3	-37.38	34.34
Stage A	-19.5	-30.56	34.1
Stage A	-19.7	-23.7	34.32
Stage A	-19.9	-16.68	35.08
Stage A	-20.1	-9.4	36.39
Stage A	-20.3	-3.22	30.9
Stage A	-20.5	1.95	25.86
Stage A	-20.7	6.2	21.28
Stage A	-20.9	9.63	17.14
Stage A	-21.1	12.32	13.44
Stage A	-21.3	14.35	10.16
Stage A	-21.5	15.81	7.28
Stage A	-21.7	16.76	4.77
Stage A	-21.9	17.29	2.62
Stage A	-22.1	17.44	0.79
Stage A	-22.3	17.29	-0.75
Stage A	-22.5	16.89	-2.01
Stage A	-22.7	16.28	-3.03
Stage A	-22.9	15.52	-3.83
Stage A	-23.1	14.63	-4.44
Stage A	-23.3	13.65	-4.87
Stage A	-23.5	12.62	-5.16
Stage A	-23.7	11.56	-5.32
Stage A	-23.9	10.49	-5.37
Stage A	-24.1	9.42	-5.32
Stage A	-24.3	8.38	-5.2
Stage A	-24.5	7.38	-5.01
Stage A	-24.7	6.42	-4.78
Stage A	-24.9	5.52	-4.5
Stage A	-25.1	4.69	-4.19
Stage A	-25.3	3.91	-3.86
Stage A	-25.5	3.21	-3.52
Stage A	-25.7	2.58	-3.16
Stage A	-25.9	2.02	-2.81
Stage A	-26.1	1.53	-2.45
Stage A	-26.3	1.11	-2.09
Stage A	-26.5	0.76	-1.74
Stage A	-26.7	0.48	-1.4
Stage A	-26.9	0.27	-1.07
Stage A	-27.1	0.12	-0.75
Stage A	-27.3	0.03	-0.44
Stage A	-27.5	0	-0.14

Tabella Risultati Paratia SISMICA STR - Left Wall - Stage: Stage B

Design Assumption: SISMICA STR Risultati Paratia		Muro: LEFT	
Stage	Z (m)	Momento (kN*m/m)	Taglio (kN/m)
Stage B	-2.5	0	0
Stage B	-2.7	0	0
Stage B	-2.7	0	0
Stage B	-2.9	-0.03	-0.14
Stage B	-3.1	-0.11	-0.42
Stage B	-3.3	-0.28	-0.84
Stage B	-3.5	-0.56	-1.4
Stage B	-3.7	-0.98	-2.1
Stage B	-3.9	-1.57	-2.95
Stage B	-4.1	-2.36	-3.95
Stage B	-4.3	-3.38	-5.1
Stage B	-4.5	-4.66	-6.41
Stage B	-4.7	-6.24	-7.87
Stage B	-4.9	-8.14	-9.49
Stage B	-5.1	-10.39	-11.27
Stage B	-5.3	-13.08	-13.46
Stage B	-5.5	-16.25	-15.84
Stage B	-5.7	-19.92	-18.38
Stage B	-5.9	-24.14	-21.1
Stage B	-6.1	-28.94	-23.99
Stage B	-6.3	-34.36	-27.07
Stage B	-6.5	-40.42	-30.31
Stage B	-6.7	-47.17	-33.73
Stage B	-6.9	-54.63	-37.32
Stage B	-7.1	-62.85	-41.1
Stage B	-7.3	-71.86	-45.03
Stage B	-7.5	-81.69	-49.15
Stage B	-7.7	-92.37	-53.44
Stage B	-7.9	-103.95	-57.9
Stage B	-8.1	-116.46	-62.53
Stage B	-8.3	-129.93	-67.34
Stage B	-8.5	-144.39	-72.31
Stage B	-8.7	-122.3	110.43
Stage B	-8.9	-101.28	105.11
Stage B	-9.1	-81.36	99.61
Stage B	-9.3	-62.57	93.95
Stage B	-9.5	-44.95	88.11
Stage B	-9.7	-28.53	82.1
Stage B	-9.9	-13.33	75.97
Stage B	-10.1	0.53	69.3
Stage B	-10.3	12.84	61.59
Stage B	-10.5	23.49	53.25
Stage B	-10.7	32.35	44.26
Stage B	-10.9	39.28	34.66
Stage B	-11.1	44.16	24.43
Stage B	-11.3	46.88	13.57
Stage B	-11.5	47.29	2.08
Stage B	-11.7	45.29	-10.01
Stage B	-11.9	40.75	-22.71
Stage B	-12.1	33.55	-35.98
Stage B	-12.3	23.59	-49.82
Stage B	-12.5	10.75	-64.19
Stage B	-12.7	-5.06	-79.06
Stage B	-12.9	-23.93	-94.38
Stage B	-13.1	-45.95	-110.11
Stage B	-13.3	-71.19	-126.16
Stage B	-13.5	-99.68	-142.46
Stage B	-13.7	-97.9	8.91
Stage B	-13.9	-99.42	-7.61
Stage B	-14.1	-104.24	-24.09
Stage B	-14.3	-112.14	-39.53
Stage B	-14.5	-121.59	-47.23
Stage B	-14.7	-131.02	-47.16
Stage B	-14.9	-138.87	-39.25
Stage B	-15.1	-144.19	-26.58
Stage B	-15.3	-146.76	-12.87
Stage B	-15.5	-146.85	-0.45

Design Assumption: SISMICA STR Risultati Paratia		Muro: LEFT	
Stage	Z (m)	Momento (kN*m/m)	Taglio (kN/m)
Stage B	-15.7	-144.89	9.84
Stage B	-15.9	-141.25	18.18
Stage B	-16.1	-136.29	24.78
Stage B	-16.3	-130.33	29.8
Stage B	-16.5	-123.64	33.46
Stage B	-16.7	-116.45	35.94
Stage B	-16.9	-108.97	37.41
Stage B	-17.1	-101.36	38.04
Stage B	-17.3	-93.76	38.01
Stage B	-17.5	-86.27	37.46
Stage B	-17.7	-78.96	36.54
Stage B	-17.9	-71.89	35.38
Stage B	-18.1	-65.07	34.07
Stage B	-18.3	-58.53	32.69
Stage B	-18.5	-52.26	31.35
Stage B	-18.7	-46.23	30.15
Stage B	-18.9	-40.4	29.19
Stage B	-19.1	-34.69	28.54
Stage B	-19.3	-29.03	28.28
Stage B	-19.5	-23.34	28.47
Stage B	-19.7	-17.5	29.17
Stage B	-19.9	-11.42	30.41
Stage B	-20.1	-4.97	32.23
Stage B	-20.3	0.44	27.09
Stage B	-20.5	4.93	22.41
Stage B	-20.7	8.56	18.18
Stage B	-20.9	11.44	14.38
Stage B	-21.1	13.64	11
Stage B	-21.3	15.24	8.02
Stage B	-21.5	16.33	5.43
Stage B	-21.7	16.97	3.19
Stage B	-21.9	17.22	1.28
Stage B	-22.1	17.16	-0.32
Stage B	-22.3	16.83	-1.65
Stage B	-22.5	16.28	-2.72
Stage B	-22.7	15.57	-3.57
Stage B	-22.9	14.73	-4.22
Stage B	-23.1	13.79	-4.7
Stage B	-23.3	12.78	-5.01
Stage B	-23.5	11.74	-5.2
Stage B	-23.7	10.69	-5.27
Stage B	-23.9	9.64	-5.25
Stage B	-24.1	8.61	-5.14
Stage B	-24.3	7.62	-4.97
Stage B	-24.5	6.67	-4.75
Stage B	-24.7	5.77	-4.48
Stage B	-24.9	4.93	-4.19
Stage B	-25.1	4.16	-3.87
Stage B	-25.3	3.45	-3.53
Stage B	-25.5	2.81	-3.19
Stage B	-25.7	2.25	-2.85
Stage B	-25.9	1.74	-2.5
Stage B	-26.1	1.31	-2.16
Stage B	-26.3	0.95	-1.83
Stage B	-26.5	0.64	-1.51
Stage B	-26.7	0.4	-1.2
Stage B	-26.9	0.22	-0.91
Stage B	-27.1	0.1	-0.63
Stage B	-27.3	0.02	-0.36
Stage B	-27.5	0	-0.12

Tabella Risultati Paratia SISMICA STR - Left Wall - Stage: Stage 4

Design Assumption: SISMICA STR Risultati Paratia		Muro: LEFT	
Stage	Z (m)	Momento (kN*m/m)	Taglio (kN/m)
Stage 4	-2.5	0	0
Stage 4	-2.7	0	0
Stage 4	-2.7	0	0
Stage 4	-2.9	-0.03	-0.14
Stage 4	-3.1	-0.11	-0.42
Stage 4	-3.3	-0.28	-0.84
Stage 4	-3.5	-0.56	-1.4
Stage 4	-3.7	-0.98	-2.1
Stage 4	-3.9	-1.57	-2.95
Stage 4	-4.1	-2.36	-3.95
Stage 4	-4.3	-3.38	-5.1
Stage 4	-4.5	-4.66	-6.41
Stage 4	-4.7	-6.24	-7.87
Stage 4	-4.9	-8.14	-9.49
Stage 4	-5.1	-10.39	-11.27
Stage 4	-5.3	-13.08	-13.46
Stage 4	-5.5	-16.25	-15.84
Stage 4	-5.7	-19.92	-18.38
Stage 4	-5.9	-24.14	-21.1
Stage 4	-6.1	-28.94	-23.99
Stage 4	-6.3	-34.36	-27.07
Stage 4	-6.5	-40.42	-30.31
Stage 4	-6.7	-47.17	-33.73
Stage 4	-6.9	-54.63	-37.32
Stage 4	-7.1	-62.85	-41.1
Stage 4	-7.3	-71.86	-45.03
Stage 4	-7.5	-81.69	-49.15
Stage 4	-7.7	-92.37	-53.44
Stage 4	-7.9	-103.95	-57.9
Stage 4	-8.1	-116.46	-62.53
Stage 4	-8.3	-129.93	-67.34
Stage 4	-8.5	-144.39	-72.31
Stage 4	-8.7	-112.57	159.11
Stage 4	-8.9	-81.81	153.79
Stage 4	-9.1	-52.15	148.29
Stage 4	-9.3	-23.63	142.62
Stage 4	-9.5	3.73	136.78
Stage 4	-9.7	29.88	130.78
Stage 4	-9.9	54.8	124.59
Stage 4	-10.1	78.45	118.25
Stage 4	-10.3	100.73	111.39
Stage 4	-10.5	121.6	104.37
Stage 4	-10.7	141.04	97.16
Stage 4	-10.9	159	89.8
Stage 4	-11.1	175.45	82.25
Stage 4	-11.3	190.36	74.55
Stage 4	-11.5	203.69	66.66
Stage 4	-11.7	215.41	58.61
Stage 4	-11.9	225.49	50.39
Stage 4	-12.1	233.89	42
Stage 4	-12.3	240.58	33.45
Stage 4	-12.5	245.53	24.73
Stage 4	-12.7	248.69	15.84
Stage 4	-12.9	250.05	6.79
Stage 4	-13.1	249.56	-2.44
Stage 4	-13.3	247.2	-11.82
Stage 4	-13.5	242.92	-21.37
Stage 4	-13.7	279.93	185.05
Stage 4	-13.9	314.97	175.17
Stage 4	-14.1	348	165.13
Stage 4	-14.3	378.98	154.93
Stage 4	-14.5	407.89	144.56
Stage 4	-14.7	434.7	134.03
Stage 4	-14.9	459.37	123.34
Stage 4	-15.1	481.86	112.49
Stage 4	-15.3	502.17	101.53
Stage 4	-15.5	520.25	90.4

Design Assumption: SISMICA STR Risultati Paratia		Muro: LEFT	
Stage	Z (m)	Momento (kN*m/m)	Taglio (kN/m)
Stage 4	-15.7	536.07	79.1
Stage 4	-15.9	549.59	67.63
Stage 4	-16.1	560.8	56
Stage 4	-16.3	569.64	44.2
Stage 4	-16.5	576.08	32.23
Stage 4	-16.7	580.1	20.09
Stage 4	-16.9	581.66	7.79
Stage 4	-17.1	580.72	-4.69
Stage 4	-17.3	577.25	-17.33
Stage 4	-17.5	571.23	-30.13
Stage 4	-17.7	562.61	-43.1
Stage 4	-17.9	551.36	-56.24
Stage 4	-18.1	537.45	-69.55
Stage 4	-18.3	520.84	-83.02
Stage 4	-18.5	501.51	-96.66
Stage 4	-18.7	479.42	-110.47
Stage 4	-18.9	454.53	-124.43
Stage 4	-19.1	426.82	-138.57
Stage 4	-19.3	396.25	-152.86
Stage 4	-19.5	362.78	-167.33
Stage 4	-19.7	326.39	-181.96
Stage 4	-19.9	287.04	-196.76
Stage 4	-20.1	244.7	-211.72
Stage 4	-20.3	199.33	-226.84
Stage 4	-20.5	150.9	-242.12
Stage 4	-20.7	99.38	-257.58
Stage 4	-20.9	44.75	-273.19
Stage 4	-21.1	-13.05	-288.98
Stage 4	-21.3	-73.6	-302.74
Stage 4	-21.5	-136.06	-312.32
Stage 4	-21.7	-199.6	-317.7
Stage 4	-21.9	-263.38	-318.89
Stage 4	-22.1	-326.55	-315.88
Stage 4	-22.3	-388.29	-308.69
Stage 4	-22.5	-447.75	-297.3
Stage 4	-22.7	-504.09	-281.72
Stage 4	-22.9	-556.48	-261.94
Stage 4	-23.1	-604.08	-237.97
Stage 4	-23.3	-646.04	-209.81
Stage 4	-23.5	-681.53	-177.46
Stage 4	-23.7	-709.71	-140.91
Stage 4	-23.9	-729.75	-100.17
Stage 4	-24.1	-740.8	-55.24
Stage 4	-24.3	-742.02	-6.11
Stage 4	-24.5	-732.58	47.21
Stage 4	-24.7	-711.63	104.73
Stage 4	-24.9	-679.37	161.3
Stage 4	-25.1	-636.42	214.73
Stage 4	-25.3	-583.38	265.2
Stage 4	-25.5	-520.98	312.01
Stage 4	-25.7	-452.18	344
Stage 4	-25.9	-380.03	360.77
Stage 4	-26.1	-307.44	362.95
Stage 4	-26.3	-237.22	351.1
Stage 4	-26.5	-172.09	325.63
Stage 4	-26.7	-114.71	286.89
Stage 4	-26.9	-67.09	238.12
Stage 4	-27.1	-30.95	180.7
Stage 4	-27.3	-8.01	114.67
Stage 4	-27.5	0	40.08

Tabella Risultati Paratia SISMICA STR - Left Wall - Stage: Stage D

Design Assumption: SISMICA STR Risultati Paratia		Muro: LEFT	
Stage	Z (m)	Momento (kN*m/m)	Taglio (kN/m)
Stage D	-2.5	0	0
Stage D	-2.7	0	0
Stage D	-2.7	0	0
Stage D	-2.9	-0.03	-0.14
Stage D	-3.1	-0.11	-0.42
Stage D	-3.3	-0.28	-0.84
Stage D	-3.5	-0.56	-1.4
Stage D	-3.7	-0.98	-2.1
Stage D	-3.9	-1.57	-2.95
Stage D	-4.1	-2.36	-3.95
Stage D	-4.3	-3.38	-5.1
Stage D	-4.5	-4.66	-6.41
Stage D	-4.7	-6.24	-7.87
Stage D	-4.9	-8.14	-9.49
Stage D	-5.1	-10.39	-11.27
Stage D	-5.3	-13.08	-13.46
Stage D	-5.5	-16.25	-15.84
Stage D	-5.7	-19.92	-18.38
Stage D	-5.9	-24.14	-21.1
Stage D	-6.1	-28.94	-23.99
Stage D	-6.3	-34.36	-27.07
Stage D	-6.5	-40.42	-30.31
Stage D	-6.7	-47.17	-33.73
Stage D	-6.9	-54.63	-37.32
Stage D	-7.1	-62.85	-41.1
Stage D	-7.3	-71.86	-45.03
Stage D	-7.5	-81.69	-49.15
Stage D	-7.7	-92.37	-53.44
Stage D	-7.9	-103.95	-57.9
Stage D	-8.1	-116.46	-62.53
Stage D	-8.3	-129.93	-67.34
Stage D	-8.5	-144.39	-72.31
Stage D	-8.7	-112.48	159.55
Stage D	-8.9	-81.63	154.23
Stage D	-9.1	-51.89	148.73
Stage D	-9.3	-23.27	143.07
Stage D	-9.5	4.17	137.23
Stage D	-9.7	30.42	131.22
Stage D	-9.9	55.42	125.04
Stage D	-10.1	79.16	118.69
Stage D	-10.3	101.53	111.83
Stage D	-10.5	122.49	104.81
Stage D	-10.7	142.01	97.6
Stage D	-10.9	160.06	90.24
Stage D	-11.1	176.6	82.7
Stage D	-11.3	191.6	74.99
Stage D	-11.5	205.02	67.1
Stage D	-11.7	216.83	59.06
Stage D	-11.9	227	50.83
Stage D	-12.1	235.49	42.45
Stage D	-12.3	242.27	33.89
Stage D	-12.5	247.3	25.17
Stage D	-12.7	250.56	16.28
Stage D	-12.9	252	7.23
Stage D	-13.1	251.6	-1.99
Stage D	-13.3	249.33	-11.38
Stage D	-13.5	245.14	-20.93
Stage D	-13.7	282.29	185.74
Stage D	-13.9	317.46	175.86
Stage D	-14.1	350.63	165.83
Stage D	-14.3	381.75	155.62
Stage D	-14.5	410.8	145.25
Stage D	-14.7	437.75	134.72
Stage D	-14.9	462.55	124.03
Stage D	-15.1	485.19	113.18
Stage D	-15.3	505.63	102.22
Stage D	-15.5	523.85	91.09

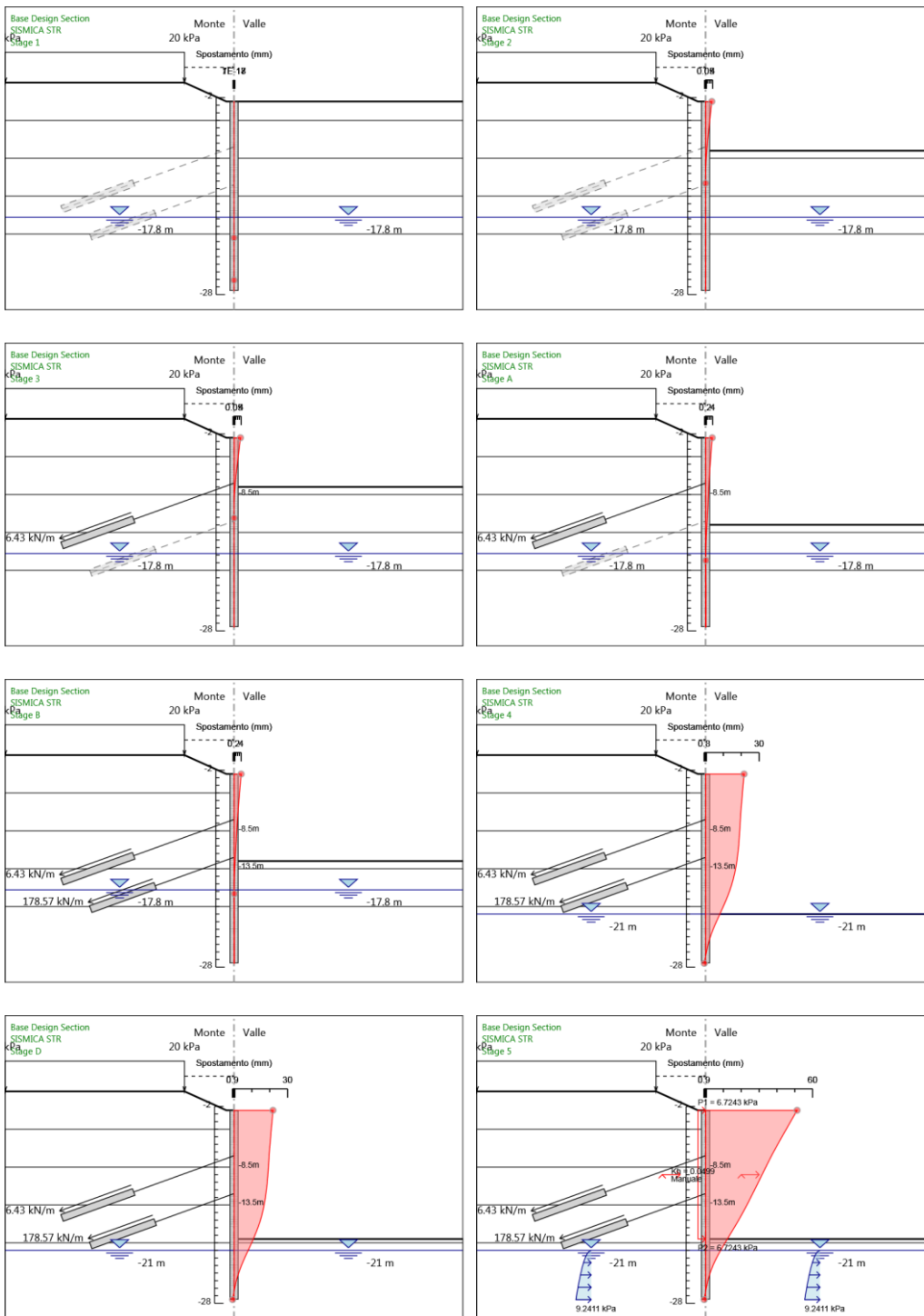
Design Assumption: SISMICA STR Risultati Paratia		Muro: LEFT	
Stage	Z (m)	Momento (kN*m/m)	Taglio (kN/m)
Stage D	-15.7	539.81	79.79
Stage D	-15.9	553.47	68.32
Stage D	-16.1	564.81	56.69
Stage D	-16.3	573.79	44.89
Stage D	-16.5	580.37	32.92
Stage D	-16.7	584.53	20.78
Stage D	-16.9	586.23	8.48
Stage D	-17.1	585.43	-4
Stage D	-17.3	582.1	-16.64
Stage D	-17.5	576.21	-29.44
Stage D	-17.7	567.73	-42.41
Stage D	-17.9	556.62	-55.55
Stage D	-18.1	542.88	-68.7
Stage D	-18.3	526.42	-82.3
Stage D	-18.5	507.14	-96.37
Stage D	-18.7	484.96	-110.91
Stage D	-18.9	459.78	-125.91
Stage D	-19.1	431.5	-141.4
Stage D	-19.3	400.02	-157.37
Stage D	-19.5	365.25	-173.84
Stage D	-19.7	327.09	-190.8
Stage D	-19.9	285.48	-208.08
Stage D	-20.1	240.34	-225.71
Stage D	-20.3	191.79	-242.74
Stage D	-20.5	139.84	-259.74
Stage D	-20.7	84.52	-276.61
Stage D	-20.9	25.85	-293.33
Stage D	-21.1	-36.13	-309.89
Stage D	-21.3	-99.23	-315.49
Stage D	-21.5	-163.01	-318.92
Stage D	-21.7	-226.9	-319.44
Stage D	-21.9	-290.24	-316.73
Stage D	-22.1	-352.36	-310.59
Stage D	-22.3	-412.54	-300.9
Stage D	-22.5	-470.05	-287.53
Stage D	-22.7	-524.13	-270.41
Stage D	-22.9	-574.02	-249.46
Stage D	-23.1	-618.95	-224.61
Stage D	-23.3	-658.11	-195.83
Stage D	-23.5	-690.72	-163.06
Stage D	-23.7	-715.98	-126.27
Stage D	-23.9	-733.15	-85.86
Stage D	-24.1	-741.64	-42.47
Stage D	-24.3	-740.73	4.55
Stage D	-24.5	-729.57	55.82
Stage D	-24.7	-707.3	111.33
Stage D	-24.9	-674.12	165.93
Stage D	-25.1	-630.63	217.43
Stage D	-25.3	-577.43	266
Stage D	-25.5	-515.17	311.32
Stage D	-25.7	-446.65	342.6
Stage D	-25.9	-374.93	358.58
Stage D	-26.1	-302.95	359.89
Stage D	-26.3	-233.54	347.07
Stage D	-26.5	-169.43	320.55
Stage D	-26.7	-113.05	281.88
Stage D	-26.9	-66.18	234.37
Stage D	-27.1	-30.56	178.11
Stage D	-27.3	-7.92	113.19
Stage D	-27.5	0	39.61

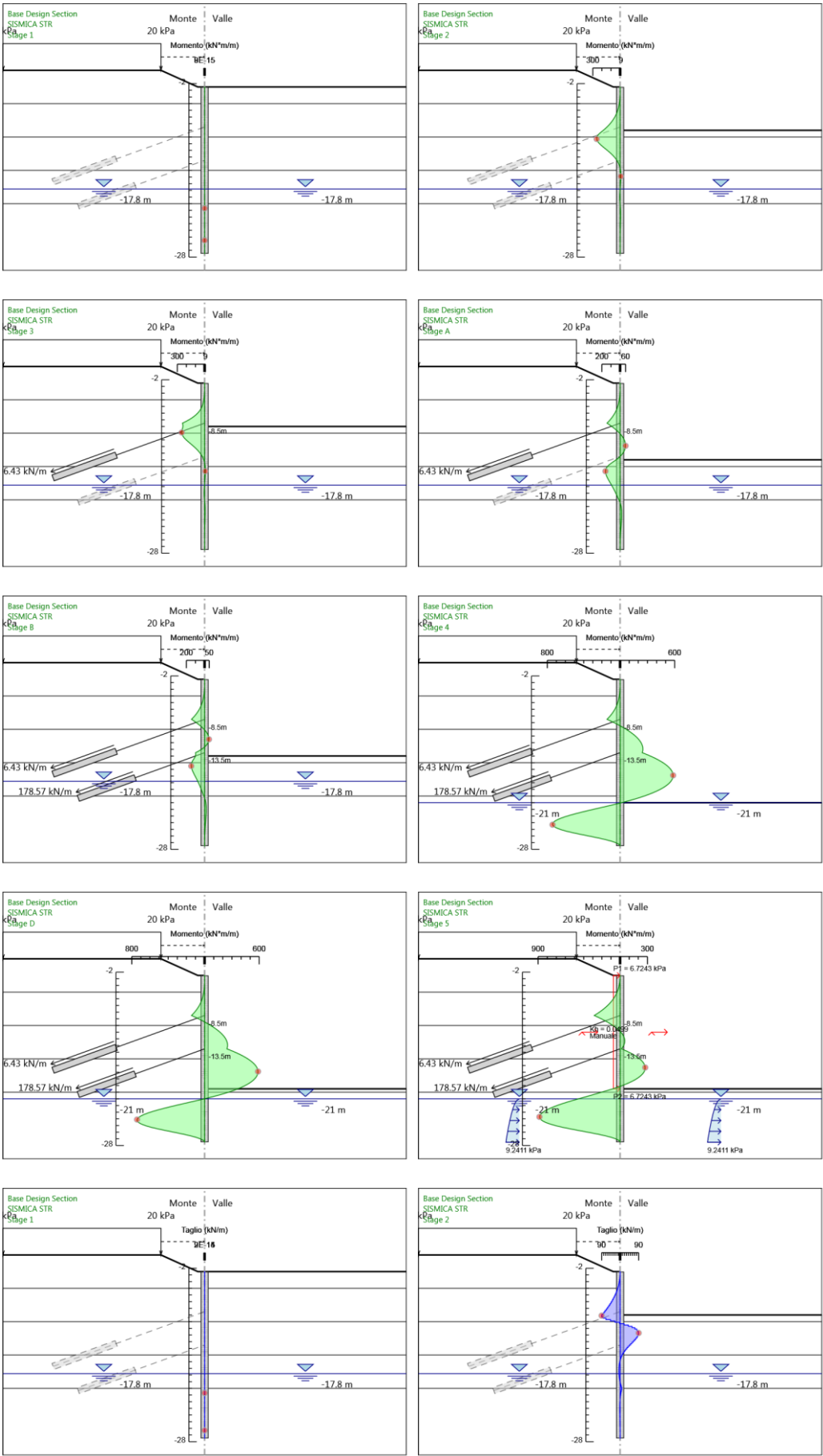
Tabella Risultati Paratia SISMICA STR - Left Wall - Stage: Stage 5

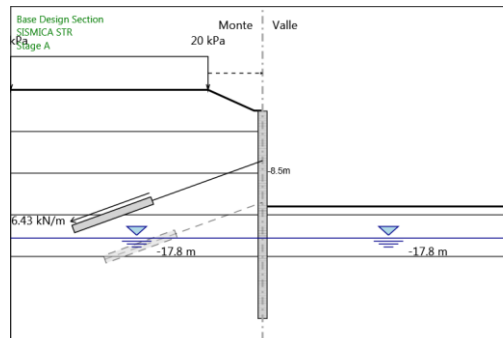
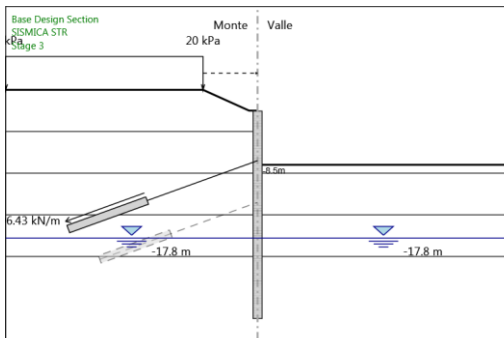
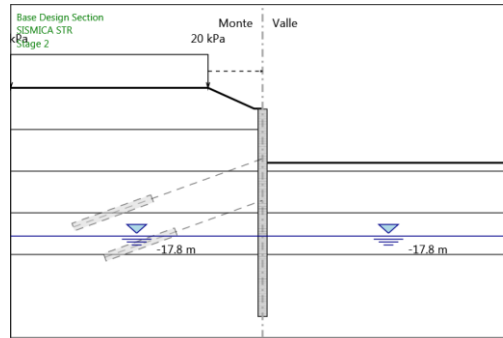
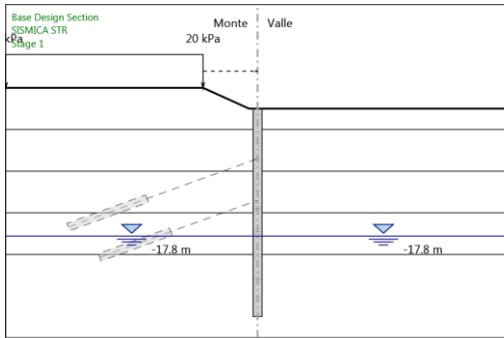
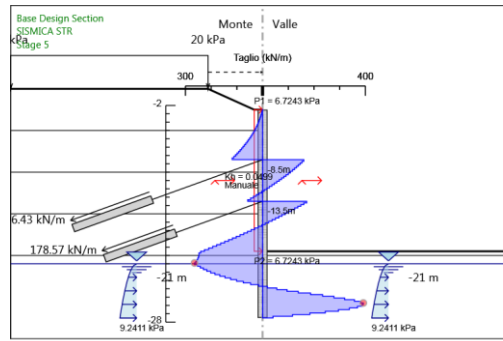
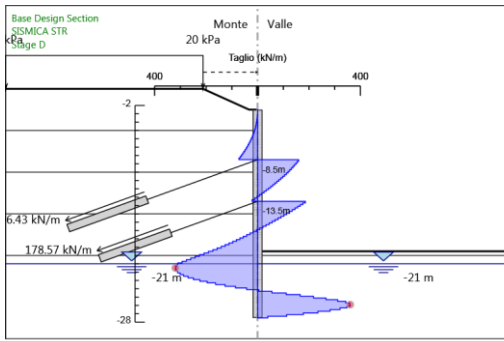
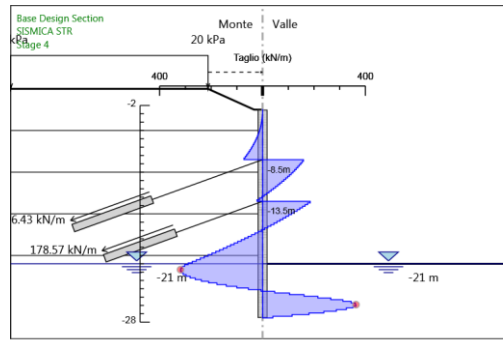
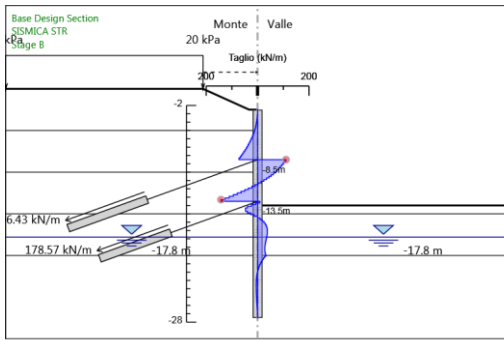
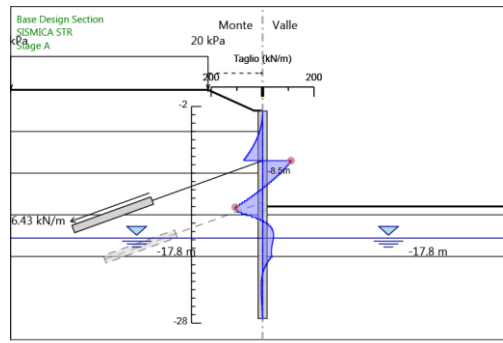
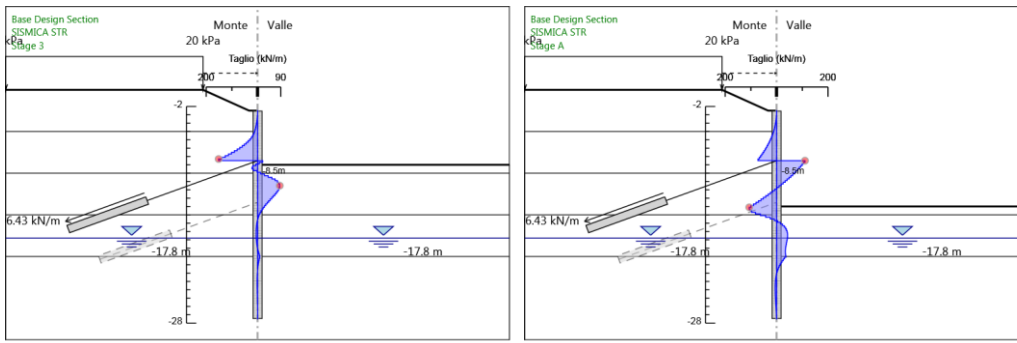
Design Assumption: SISMICA STR Risultati Paratia		Muro: LEFT	
Stage	Z (m)	Momento (kN*m/m)	Taglio (kN/m)
Stage 5	-2.5	0	-0.78
Stage 5	-2.7	-0.16	-0.78
Stage 5	-2.9	-0.65	-2.48
Stage 5	-3.1	-1.51	-4.31
Stage 5	-3.3	-2.77	-6.28
Stage 5	-3.5	-4.45	-8.4
Stage 5	-3.7	-6.58	-10.66
Stage 5	-3.9	-9.19	-13.06
Stage 5	-4.1	-12.32	-15.62
Stage 5	-4.3	-15.98	-18.32
Stage 5	-4.5	-20.22	-21.19
Stage 5	-4.7	-25.06	-24.21
Stage 5	-4.9	-30.54	-27.38
Stage 5	-5.1	-36.68	-30.72
Stage 5	-5.3	-43.57	-34.46
Stage 5	-5.5	-51.25	-38.39
Stage 5	-5.7	-59.75	-42.49
Stage 5	-5.9	-69.1	-46.77
Stage 5	-6.1	-79.35	-51.22
Stage 5	-6.3	-90.51	-55.85
Stage 5	-6.5	-102.64	-60.64
Stage 5	-6.7	-115.77	-65.62
Stage 5	-6.9	-129.92	-70.77
Stage 5	-7.1	-145.14	-76.1
Stage 5	-7.3	-161.46	-81.59
Stage 5	-7.5	-178.91	-87.26
Stage 5	-7.7	-197.53	-93.1
Stage 5	-7.9	-217.36	-99.12
Stage 5	-8.1	-238.42	-105.31
Stage 5	-8.3	-260.75	-111.67
Stage 5	-8.5	-284.39	-118.2
Stage 5	-8.7	-252.37	160.14
Stage 5	-8.9	-221.71	153.27
Stage 5	-9.1	-192.47	146.21
Stage 5	-9.3	-164.67	138.99
Stage 5	-9.5	-138.36	131.59
Stage 5	-9.7	-113.55	124.03
Stage 5	-9.9	-90.29	116.29
Stage 5	-10.1	-68.61	108.39
Stage 5	-10.3	-48.62	99.98
Stage 5	-10.5	-30.34	91.4
Stage 5	-10.7	-13.81	82.64
Stage 5	-10.9	0.93	73.72
Stage 5	-11.1	13.86	64.62
Stage 5	-11.3	24.93	55.36
Stage 5	-11.5	34.11	45.91
Stage 5	-11.7	41.37	36.31
Stage 5	-11.9	46.68	26.53
Stage 5	-12.1	50	16.59
Stage 5	-12.3	51.29	6.48
Stage 5	-12.5	50.53	-3.79
Stage 5	-12.7	47.68	-14.24
Stage 5	-12.9	42.71	-24.85
Stage 5	-13.1	35.59	-35.63
Stage 5	-13.3	26.27	-46.57
Stage 5	-13.5	14.74	-57.68
Stage 5	-13.7	49.05	171.56
Stage 5	-13.9	81.08	160.13
Stage 5	-14.1	110.78	148.53
Stage 5	-14.3	138.14	136.77
Stage 5	-14.5	163.11	124.85
Stage 5	-14.7	185.66	112.76
Stage 5	-14.9	205.76	100.51
Stage 5	-15.1	223.38	88.1
Stage 5	-15.3	238.5	75.59
Stage 5	-15.5	251.08	62.91
Stage 5	-15.7	261.09	50.05

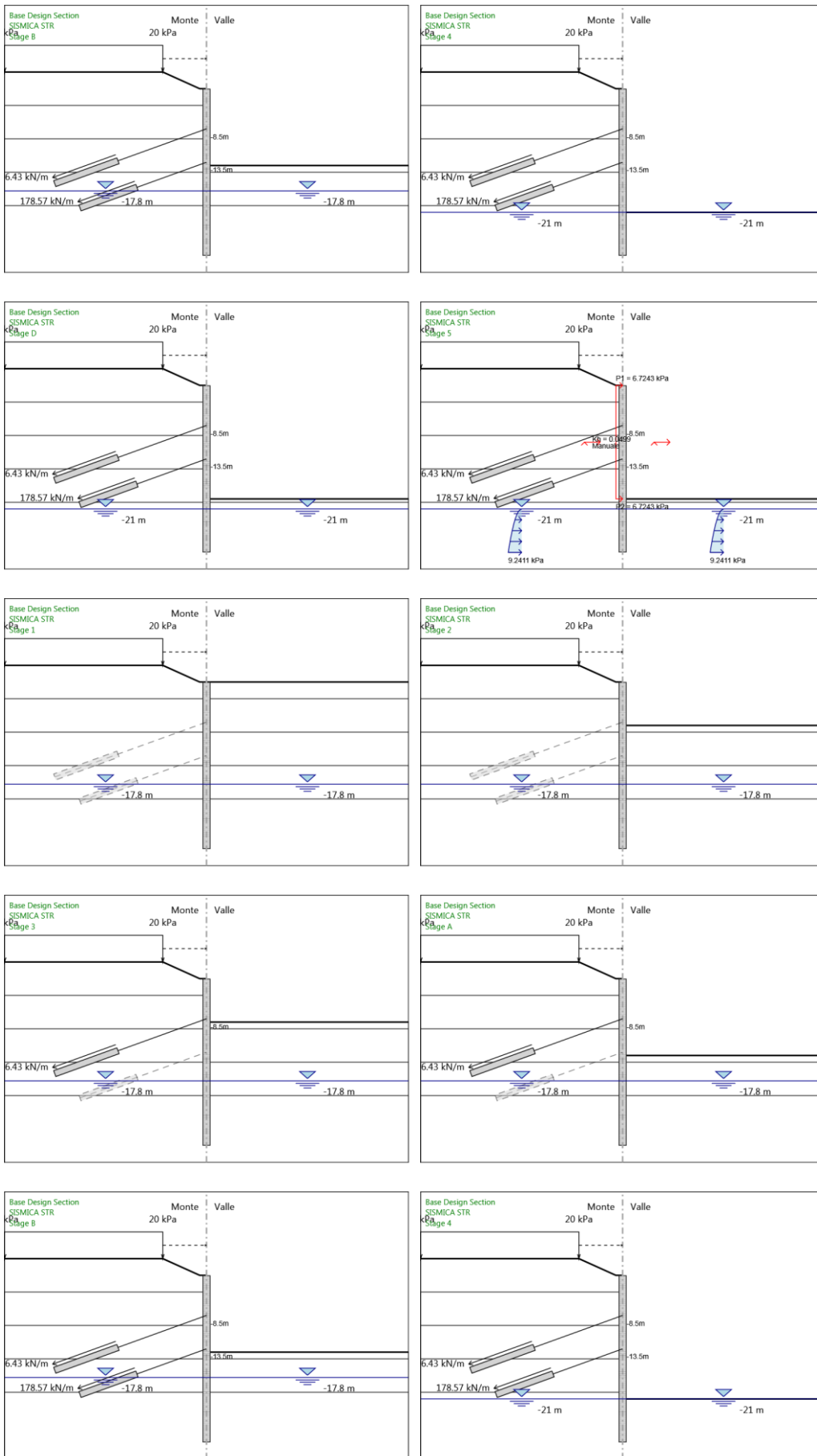
Design Assumption: SISMICA STR Risultati Paratia		Muro: LEFT	
Stage	Z (m)	Momento (kN*m/m)	Taglio (kN/m)
Stage 5	-15.9	268.5	37.03
Stage 5	-16.1	273.27	23.84
Stage 5	-16.3	275.36	10.48
Stage 5	-16.5	274.75	-3.04
Stage 5	-16.7	271.41	-16.73
Stage 5	-16.9	265.29	-30.59
Stage 5	-17.1	256.36	-44.62
Stage 5	-17.3	244.6	-58.82
Stage 5	-17.5	229.96	-73.18
Stage 5	-17.7	212.42	-87.71
Stage 5	-17.9	191.94	-102.4
Stage 5	-18.1	168.49	-117.26
Stage 5	-18.3	142.03	-132.29
Stage 5	-18.5	112.53	-147.48
Stage 5	-18.7	79.96	-162.85
Stage 5	-18.9	44.29	-178.37
Stage 5	-19.1	5.48	-194.06
Stage 5	-19.3	-36.5	-209.91
Stage 5	-19.5	-81.69	-225.93
Stage 5	-19.7	-129.8	-240.56
Stage 5	-19.9	-179.33	-247.64
Stage 5	-20.1	-228.76	-247.18
Stage 5	-20.3	-278.57	-249.01
Stage 5	-20.5	-328.94	-251.87
Stage 5	-20.7	-380.03	-255.45
Stage 5	-20.9	-431.97	-259.71
Stage 5	-21.1	-484.89	-264.61
Stage 5	-21.3	-535.49	-252.96
Stage 5	-21.5	-583.85	-241.81
Stage 5	-21.7	-629.84	-229.98
Stage 5	-21.9	-673.22	-216.89
Stage 5	-22.1	-713.65	-202.13
Stage 5	-22.3	-750.72	-185.37
Stage 5	-22.5	-783.98	-166.29
Stage 5	-22.7	-813.18	-145.99
Stage 5	-22.9	-838.04	-124.28
Stage 5	-23.1	-858.18	-100.74
Stage 5	-23.3	-873.17	-74.94
Stage 5	-23.5	-882.48	-46.55
Stage 5	-23.7	-885.53	-15.23
Stage 5	-23.9	-881.75	18.88
Stage 5	-24.1	-870.68	55.34
Stage 5	-24.3	-851.67	95.04
Stage 5	-24.5	-823.93	138.73
Stage 5	-24.7	-786.62	186.56
Stage 5	-24.9	-739.91	233.52
Stage 5	-25.1	-684.41	277.51
Stage 5	-25.3	-620.65	318.79
Stage 5	-25.5	-549.23	357.13
Stage 5	-25.7	-472.87	381.78
Stage 5	-25.9	-394.57	391.52
Stage 5	-26.1	-317.16	387.04
Stage 5	-26.3	-243.38	368.89
Stage 5	-26.5	-175.87	337.53
Stage 5	-26.7	-116.9	294.85
Stage 5	-26.9	-68.17	243.63
Stage 5	-27.1	-31.36	184.06
Stage 5	-27.3	-8.09	116.34
Stage 5	-27.5	0	40.48

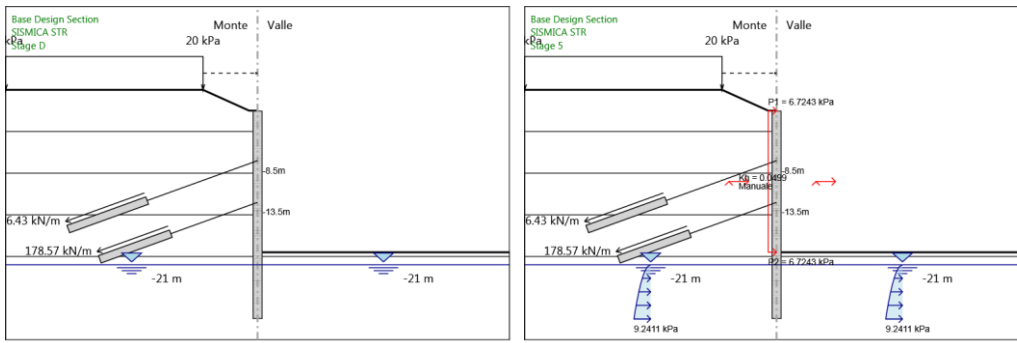
Tabella Grafici dei Risultati











Risultati Elementi strutturali - SISMICA STR

Design Assumption: SISMICA STR Sollecitazione Tieback

Stage	Forza (kN/m)
Stage 3	196.4
Stage A	199.8203
Stage B	199.9512
Stage 4	251.7509
Stage D	252.2231
Stage 5	303.339

Design Assumption: SISMICA STR Sollecitazione Tieback_New

Stage	Forza (kN/m)
Stage B	178.6
Stage 4	230.0047
Stage D	230.2677
Stage 5	255.9364

Risultati SISMICA GEO

Tabella Risultati Paratia SISMICA GEO - Left Wall - Stage: Stage 1

Design Assumption: SISMICA GEO Risultati Paratia		Muro: LEFT	
Stage	Z (m)	Momento (kN*m/m)	Taglio (kN/m)
Stage 1	-2.5	0	0
Stage 1	-2.7	0	0
Stage 1	-2.9	0	0
Stage 1	-3.1	0	0
Stage 1	-3.3	0	0
Stage 1	-3.5	0	0
Stage 1	-3.7	0	0
Stage 1	-3.9	0	0
Stage 1	-4.1	0	0
Stage 1	-4.3	0	0
Stage 1	-4.5	0	0
Stage 1	-4.7	0	0
Stage 1	-4.9	0	0
Stage 1	-5.1	0	0
Stage 1	-5.3	0	0
Stage 1	-5.5	0	0
Stage 1	-5.7	0	0
Stage 1	-5.9	0	0
Stage 1	-6.1	0	0
Stage 1	-6.3	0	0
Stage 1	-6.5	0	0
Stage 1	-6.7	0	0
Stage 1	-6.9	0	0
Stage 1	-7.1	0	0
Stage 1	-7.3	0	0
Stage 1	-7.5	0	0
Stage 1	-7.7	0	0
Stage 1	-7.9	0	0
Stage 1	-8.1	0	0
Stage 1	-8.3	0	0
Stage 1	-8.5	0	0
Stage 1	-8.7	0	0
Stage 1	-8.9	0	0
Stage 1	-9.1	0	0
Stage 1	-9.3	0	0
Stage 1	-9.5	0	0
Stage 1	-9.7	0	0
Stage 1	-9.9	0	0
Stage 1	-10.1	0	0
Stage 1	-10.3	0	0
Stage 1	-10.5	0	0
Stage 1	-10.7	0	0
Stage 1	-10.9	0	0
Stage 1	-11.1	0	0
Stage 1	-11.3	0	0
Stage 1	-11.5	0	0
Stage 1	-11.7	0	0
Stage 1	-11.9	0	0
Stage 1	-12.1	0	0
Stage 1	-12.3	0	0
Stage 1	-12.5	0	0
Stage 1	-12.7	0	0
Stage 1	-12.9	0	0
Stage 1	-13.1	0	0
Stage 1	-13.3	0	0
Stage 1	-13.5	0	0
Stage 1	-13.7	0	0
Stage 1	-13.9	0	0
Stage 1	-14.1	0	0
Stage 1	-14.3	0	0
Stage 1	-14.5	0	0
Stage 1	-14.7	0	0
Stage 1	-14.9	0	0
Stage 1	-15.1	0	0

Design Assumption: SISMICA GEO Risultati Paratia		Muro: LEFT	
Stage	Z (m)	Momento (kN*m/m)	Taglio (kN/m)
Stage 1	-15.3	0	0
Stage 1	-15.5	0	0
Stage 1	-15.7	0	0
Stage 1	-15.9	0	0
Stage 1	-16.1	0	0
Stage 1	-16.3	0	0
Stage 1	-16.5	0	0
Stage 1	-16.7	0	0
Stage 1	-16.9	0	0
Stage 1	-17.1	0	0
Stage 1	-17.3	0	0
Stage 1	-17.5	0	0
Stage 1	-17.7	0	0
Stage 1	-17.9	0	0
Stage 1	-18.1	0	0
Stage 1	-18.3	0	0
Stage 1	-18.5	0	0
Stage 1	-18.7	0	0
Stage 1	-18.9	0	0
Stage 1	-19.1	0	0
Stage 1	-19.3	0	0
Stage 1	-19.5	0	0
Stage 1	-19.7	0	0
Stage 1	-19.9	0	0
Stage 1	-20.1	0	0
Stage 1	-20.3	0	0
Stage 1	-20.5	0	0
Stage 1	-20.7	0	0
Stage 1	-20.9	0	0
Stage 1	-21.1	0	0
Stage 1	-21.3	0	0
Stage 1	-21.5	0	0
Stage 1	-21.7	0	0
Stage 1	-21.9	0	0
Stage 1	-22.1	0	0
Stage 1	-22.3	0	0
Stage 1	-22.5	0	0
Stage 1	-22.7	0	0
Stage 1	-22.9	0	0
Stage 1	-23.1	0	0
Stage 1	-23.3	0	0
Stage 1	-23.5	0	0
Stage 1	-23.7	0	0
Stage 1	-23.9	0	0
Stage 1	-24.1	0	0
Stage 1	-24.3	0	0
Stage 1	-24.5	0	0
Stage 1	-24.7	0	0
Stage 1	-24.9	0	0
Stage 1	-25.1	0	0
Stage 1	-25.3	0	0
Stage 1	-25.5	0	0
Stage 1	-25.7	0	0
Stage 1	-25.9	0	0
Stage 1	-26.1	0	0
Stage 1	-26.3	0	0
Stage 1	-26.5	0	0
Stage 1	-26.7	0	0
Stage 1	-26.9	0	0
Stage 1	-27.1	0	0
Stage 1	-27.3	0	0
Stage 1	-27.5	0	0

Tabella Risultati Paratia SISMICA GEO - Left Wall - Stage: Stage 2

Design Assumption: SISMICA GEO Risultati Paratia		Muro: LEFT	
Stage	Z (m)	Momento (kN*m/m)	Taglio (kN/m)
Stage 2	-2.5	0	0
Stage 2	-2.7	0	0
Stage 2	-2.7	0	0
Stage 2	-2.9	-0.04	-0.19
Stage 2	-3.1	-0.15	-0.57
Stage 2	-3.3	-0.38	-1.13
Stage 2	-3.5	-0.75	-1.88
Stage 2	-3.7	-1.32	-2.82
Stage 2	-3.9	-2.11	-3.96
Stage 2	-4.1	-3.17	-5.3
Stage 2	-4.3	-4.54	-6.85
Stage 2	-4.5	-6.26	-8.6
Stage 2	-4.7	-8.37	-10.56
Stage 2	-4.9	-10.92	-12.74
Stage 2	-5.1	-13.94	-15.12
Stage 2	-5.3	-17.54	-18.01
Stage 2	-5.5	-21.77	-21.14
Stage 2	-5.7	-26.67	-24.49
Stage 2	-5.9	-32.29	-28.08
Stage 2	-6.1	-38.67	-31.9
Stage 2	-6.3	-45.86	-35.95
Stage 2	-6.5	-53.9	-40.22
Stage 2	-6.7	-62.85	-44.73
Stage 2	-6.9	-72.74	-49.47
Stage 2	-7.1	-83.63	-54.44
Stage 2	-7.3	-95.55	-59.63
Stage 2	-7.5	-108.57	-65.06
Stage 2	-7.7	-122.71	-70.71
Stage 2	-7.9	-138.03	-76.59
Stage 2	-8.1	-154.56	-82.69
Stage 2	-8.3	-172.37	-89.03
Stage 2	-8.5	-191.49	-95.59
Stage 2	-8.7	-211.96	-102.38
Stage 2	-8.9	-233.84	-109.38
Stage 2	-9.1	-257.17	-116.64
Stage 2	-9.3	-281.47	-121.53
Stage 2	-9.5	-305.78	-121.52
Stage 2	-9.7	-329.1	-116.59
Stage 2	-9.9	-350.45	-106.75
Stage 2	-10.1	-368.84	-91.98
Stage 2	-10.3	-383.78	-74.72
Stage 2	-10.5	-394.38	-52.96
Stage 2	-10.7	-399.72	-26.72
Stage 2	-10.9	-399.66	0.3
Stage 2	-11.1	-394.43	26.13
Stage 2	-11.3	-384.24	50.95
Stage 2	-11.5	-369.26	74.89
Stage 2	-11.7	-349.64	98.12
Stage 2	-11.9	-326.51	115.66
Stage 2	-12.1	-301.03	127.39
Stage 2	-12.3	-274.19	134.18
Stage 2	-12.5	-246.82	136.84
Stage 2	-12.7	-219.6	136.12
Stage 2	-12.9	-193.06	132.69
Stage 2	-13.1	-167.64	127.13
Stage 2	-13.3	-143.64	119.97
Stage 2	-13.5	-121.31	111.66
Stage 2	-13.7	-100.79	102.59
Stage 2	-13.9	-82.18	93.09
Stage 2	-14.1	-65.49	83.43
Stage 2	-14.3	-50.72	73.83
Stage 2	-14.5	-37.83	64.48
Stage 2	-14.7	-26.73	55.5
Stage 2	-14.9	-17.33	47
Stage 2	-15.1	-9.52	39.04
Stage 2	-15.3	-3.13	31.96
Stage 2	-15.5	1.98	25.53

Design Assumption: SISMICA GEO Risultati Paratia		Muro: LEFT	
Stage	Z (m)	Momento (kN*m/m)	Taglio (kN/m)
Stage 2	-15.7	5.93	19.76
Stage 2	-15.9	8.86	14.64
Stage 2	-16.1	10.89	10.15
Stage 2	-16.3	12.14	6.27
Stage 2	-16.5	12.73	2.97
Stage 2	-16.7	12.77	0.2
Stage 2	-16.9	12.36	-2.07
Stage 2	-17.1	11.59	-3.87
Stage 2	-17.3	10.54	-5.25
Stage 2	-17.5	9.29	-6.23
Stage 2	-17.7	7.92	-6.86
Stage 2	-17.9	6.49	-7.15
Stage 2	-18.1	5.06	-7.14
Stage 2	-18.3	3.69	-6.85
Stage 2	-18.5	2.43	-6.3
Stage 2	-18.7	1.33	-5.49
Stage 2	-18.9	0.44	-4.44
Stage 2	-19.1	-0.19	-3.15
Stage 2	-19.3	-0.51	-1.61
Stage 2	-19.5	-0.48	0.16
Stage 2	-19.7	-0.04	2.17
Stage 2	-19.9	0.84	4.42
Stage 2	-20.1	2.22	6.92
Stage 2	-20.3	3.31	5.44
Stage 2	-20.5	4.14	4.14
Stage 2	-20.7	4.74	3
Stage 2	-20.9	5.14	2.01
Stage 2	-21.1	5.38	1.16
Stage 2	-21.3	5.47	0.45
Stage 2	-21.5	5.44	-0.14
Stage 2	-21.7	5.32	-0.62
Stage 2	-21.9	5.12	-1
Stage 2	-22.1	4.86	-1.29
Stage 2	-22.3	4.56	-1.5
Stage 2	-22.5	4.23	-1.65
Stage 2	-22.7	3.88	-1.73
Stage 2	-22.9	3.53	-1.77
Stage 2	-23.1	3.17	-1.77
Stage 2	-23.3	2.83	-1.74
Stage 2	-23.5	2.49	-1.67
Stage 2	-23.7	2.17	-1.59
Stage 2	-23.9	1.88	-1.49
Stage 2	-24.1	1.6	-1.38
Stage 2	-24.3	1.35	-1.26
Stage 2	-24.5	1.12	-1.14
Stage 2	-24.7	0.92	-1.02
Stage 2	-24.9	0.74	-0.89
Stage 2	-25.1	0.58	-0.78
Stage 2	-25.3	0.45	-0.66
Stage 2	-25.5	0.34	-0.56
Stage 2	-25.7	0.25	-0.46
Stage 2	-25.9	0.17	-0.37
Stage 2	-26.1	0.12	-0.29
Stage 2	-26.3	0.07	-0.22
Stage 2	-26.5	0.04	-0.16
Stage 2	-26.7	0.02	-0.1
Stage 2	-26.9	0.01	-0.06
Stage 2	-27.1	0	-0.03
Stage 2	-27.3	0	-0.01
Stage 2	-27.5	0	0

Tabella Risultati Paratia SISMICA GEO - Left Wall - Stage: Stage 3

Design Assumption: SISMICA GEO Risultati Paratia		Muro: LEFT	
Stage	Z (m)	Momento (kN*m/m)	Taglio (kN/m)
Stage 3	-2.5	0	0
Stage 3	-2.7	0	0
Stage 3	-2.7	0	0
Stage 3	-2.9	-0.04	-0.19
Stage 3	-3.1	-0.15	-0.57
Stage 3	-3.3	-0.38	-1.13
Stage 3	-3.5	-0.75	-1.88
Stage 3	-3.7	-1.32	-2.82
Stage 3	-3.9	-2.11	-3.96
Stage 3	-4.1	-3.17	-5.3
Stage 3	-4.3	-4.54	-6.85
Stage 3	-4.5	-6.26	-8.6
Stage 3	-4.7	-8.37	-10.56
Stage 3	-4.9	-10.92	-12.74
Stage 3	-5.1	-13.94	-15.1
Stage 3	-5.3	-17.63	-18.47
Stage 3	-5.5	-22.16	-22.64
Stage 3	-5.7	-27.68	-27.59
Stage 3	-5.9	-34.34	-33.34
Stage 3	-6.1	-42.32	-39.87
Stage 3	-6.3	-51.75	-47.19
Stage 3	-6.5	-62.81	-55.29
Stage 3	-6.7	-75.64	-64.16
Stage 3	-6.9	-90.4	-73.79
Stage 3	-7.1	-107.23	-84.16
Stage 3	-7.3	-126.28	-95.24
Stage 3	-7.5	-147.68	-107.01
Stage 3	-7.7	-171.57	-119.41
Stage 3	-7.9	-198.05	-132.4
Stage 3	-8.1	-227.22	-145.88
Stage 3	-8.3	-259.18	-159.81
Stage 3	-8.5	-293.99	-174.04
Stage 3	-8.7	-294.78	-3.94
Stage 3	-8.9	-298.47	-18.44
Stage 3	-9.1	-305.05	-32.91
Stage 3	-9.3	-314.47	-47.12
Stage 3	-9.5	-325.9	-57.11
Stage 3	-9.7	-338.18	-61.41
Stage 3	-9.9	-350.18	-60
Stage 3	-10.1	-360.75	-52.85
Stage 3	-10.3	-369.56	-44.04
Stage 3	-10.5	-375.5	-29.74
Stage 3	-10.7	-377.5	-9.99
Stage 3	-10.9	-375.21	11.45
Stage 3	-11.1	-368.7	32.55
Stage 3	-11.3	-358.02	53.43
Stage 3	-11.5	-343.19	74.14
Stage 3	-11.7	-324.23	94.78
Stage 3	-11.9	-302.17	110.31
Stage 3	-12.1	-278.06	120.53
Stage 3	-12.3	-252.82	126.25
Stage 3	-12.5	-227.17	128.21
Stage 3	-12.7	-201.75	127.11
Stage 3	-12.9	-177.04	123.56
Stage 3	-13.1	-153.42	118.09
Stage 3	-13.3	-131.18	111.19
Stage 3	-13.5	-110.53	103.28
Stage 3	-13.7	-91.59	94.71
Stage 3	-13.9	-74.43	85.77
Stage 3	-14.1	-59.09	76.71
Stage 3	-14.3	-45.54	67.74
Stage 3	-14.5	-33.74	59.02
Stage 3	-14.7	-23.61	50.66
Stage 3	-14.9	-15.06	42.75
Stage 3	-15.1	-7.98	35.37
Stage 3	-15.3	-2.22	28.84
Stage 3	-15.5	2.37	22.93

Design Assumption: SISMICA GEO Risultati Paratia		Muro: LEFT	
Stage	Z (m)	Momento (kN*m/m)	Taglio (kN/m)
Stage 3	-15.7	5.89	17.62
Stage 3	-15.9	8.48	12.93
Stage 3	-16.1	10.24	8.82
Stage 3	-16.3	11.3	5.27
Stage 3	-16.5	11.75	2.25
Stage 3	-16.7	11.7	-0.27
Stage 3	-16.9	11.23	-2.32
Stage 3	-17.1	10.44	-3.96
Stage 3	-17.3	9.4	-5.19
Stage 3	-17.5	8.19	-6.07
Stage 3	-17.7	6.87	-6.61
Stage 3	-17.9	5.5	-6.83
Stage 3	-18.1	4.14	-6.78
Stage 3	-18.3	2.85	-6.46
Stage 3	-18.5	1.67	-5.9
Stage 3	-18.7	0.66	-5.09
Stage 3	-18.9	-0.15	-4.04
Stage 3	-19.1	-0.71	-2.77
Stage 3	-19.3	-0.96	-1.26
Stage 3	-19.5	-0.86	0.49
Stage 3	-19.7	-0.37	2.47
Stage 3	-19.9	0.57	4.69
Stage 3	-20.1	2	7.16
Stage 3	-20.3	3.13	5.66
Stage 3	-20.5	4	4.33
Stage 3	-20.7	4.63	3.17
Stage 3	-20.9	5.07	2.16
Stage 3	-21.1	5.32	1.29
Stage 3	-21.3	5.44	0.56
Stage 3	-21.5	5.43	-0.04
Stage 3	-21.7	5.32	-0.54
Stage 3	-21.9	5.13	-0.93
Stage 3	-22.1	4.89	-1.24
Stage 3	-22.3	4.59	-1.46
Stage 3	-22.5	4.27	-1.62
Stage 3	-22.7	3.93	-1.72
Stage 3	-22.9	3.57	-1.76
Stage 3	-23.1	3.22	-1.77
Stage 3	-23.3	2.87	-1.74
Stage 3	-23.5	2.54	-1.68
Stage 3	-23.7	2.22	-1.6
Stage 3	-23.9	1.92	-1.5
Stage 3	-24.1	1.64	-1.39
Stage 3	-24.3	1.38	-1.28
Stage 3	-24.5	1.15	-1.15
Stage 3	-24.7	0.95	-1.03
Stage 3	-24.9	0.76	-0.91
Stage 3	-25.1	0.61	-0.79
Stage 3	-25.3	0.47	-0.68
Stage 3	-25.5	0.36	-0.57
Stage 3	-25.7	0.26	-0.47
Stage 3	-25.9	0.18	-0.38
Stage 3	-26.1	0.12	-0.3
Stage 3	-26.3	0.08	-0.23
Stage 3	-26.5	0.05	-0.16
Stage 3	-26.7	0.02	-0.11
Stage 3	-26.9	0.01	-0.07
Stage 3	-27.1	0	-0.04
Stage 3	-27.3	0	-0.01
Stage 3	-27.5	0	0

Tabella Risultati Paratia SISMICA GEO - Left Wall - Stage: Stage A

Design Assumption: SISMICA GEO Risultati Paratia		Muro: LEFT	
Stage	Z (m)	Momento (kN*m/m)	Taglio (kN/m)
Stage A	-2.5	0	0
Stage A	-2.7	0	0
Stage A	-2.7	0	0
Stage A	-2.9	-0.04	-0.19
Stage A	-3.1	-0.15	-0.57
Stage A	-3.3	-0.38	-1.13
Stage A	-3.5	-0.75	-1.88
Stage A	-3.7	-1.32	-2.82
Stage A	-3.9	-2.11	-3.96
Stage A	-4.1	-3.17	-5.3
Stage A	-4.3	-4.54	-6.85
Stage A	-4.5	-6.26	-8.6
Stage A	-4.7	-8.37	-10.56
Stage A	-4.9	-10.92	-12.74
Stage A	-5.1	-13.94	-15.12
Stage A	-5.3	-17.54	-18.01
Stage A	-5.5	-21.77	-21.14
Stage A	-5.7	-26.67	-24.49
Stage A	-5.9	-32.29	-28.08
Stage A	-6.1	-38.67	-31.9
Stage A	-6.3	-45.86	-35.95
Stage A	-6.5	-53.9	-40.22
Stage A	-6.7	-62.85	-44.73
Stage A	-6.9	-72.74	-49.47
Stage A	-7.1	-83.63	-54.44
Stage A	-7.3	-95.55	-59.63
Stage A	-7.5	-108.57	-65.06
Stage A	-7.7	-122.71	-70.71
Stage A	-7.9	-138.03	-76.59
Stage A	-8.1	-154.56	-82.69
Stage A	-8.3	-172.37	-89.03
Stage A	-8.5	-191.49	-95.59
Stage A	-8.7	-170.44	105.25
Stage A	-8.9	-150.79	98.24
Stage A	-9.1	-132.59	90.99
Stage A	-9.3	-115.89	83.52
Stage A	-9.5	-100.73	75.82
Stage A	-9.7	-87.14	67.91
Stage A	-9.9	-75.19	59.75
Stage A	-10.1	-64.92	51.39
Stage A	-10.3	-56.44	42.38
Stage A	-10.5	-49.81	33.16
Stage A	-10.7	-45.07	23.69
Stage A	-10.9	-42.27	14.02
Stage A	-11.1	-41.44	4.11
Stage A	-11.3	-42.65	-6.01
Stage A	-11.5	-45.92	-16.37
Stage A	-11.7	-51.31	-26.94
Stage A	-11.9	-58.86	-37.75
Stage A	-12.1	-68.61	-48.76
Stage A	-12.3	-80.61	-60
Stage A	-12.5	-94.9	-71.45
Stage A	-12.7	-111.53	-83.13
Stage A	-12.9	-130.53	-95.02
Stage A	-13.1	-151.96	-107.13
Stage A	-13.3	-175.85	-119.46
Stage A	-13.5	-202.25	-132
Stage A	-13.7	-231.2	-144.76
Stage A	-13.9	-262.75	-157.73
Stage A	-14.1	-296.93	-170.92
Stage A	-14.3	-333.33	-181.97
Stage A	-14.5	-371.03	-188.52
Stage A	-14.7	-409.14	-190.57
Stage A	-14.9	-446.77	-188.11
Stage A	-15.1	-483	-181.15
Stage A	-15.3	-516.86	-169.32
Stage A	-15.5	-547.4	-152.7

Design Assumption: SISMICA GEO Risultati Paratia		Muro: LEFT	
Stage	Z (m)	Momento (kN*m/m)	Taglio (kN/m)
Stage A	-15.7	-573.66	-131.28
Stage A	-15.9	-594.67	-105.06
Stage A	-16.1	-609.47	-74.03
Stage A	-16.3	-617.11	-38.21
Stage A	-16.5	-617.61	-2.47
Stage A	-16.7	-611.17	32.18
Stage A	-16.9	-598	65.88
Stage A	-17.1	-578.59	97.05
Stage A	-17.3	-553.42	125.83
Stage A	-17.5	-523.89	147.66
Stage A	-17.7	-491.21	163.41
Stage A	-17.9	-456.42	173.91
Stage A	-18.1	-420.44	179.91
Stage A	-18.3	-384.03	182.08
Stage A	-18.5	-347.8	181.11
Stage A	-18.7	-312.28	177.61
Stage A	-18.9	-277.85	172.15
Stage A	-19.1	-244.81	165.22
Stage A	-19.3	-213.36	157.27
Stage A	-19.5	-183.61	148.71
Stage A	-19.7	-155.64	139.88
Stage A	-19.9	-129.42	131.07
Stage A	-20.1	-104.92	122.54
Stage A	-20.3	-82.93	109.92
Stage A	-20.5	-63.37	97.79
Stage A	-20.7	-46.13	86.23
Stage A	-20.9	-31.06	75.32
Stage A	-21.1	-18.04	65.1
Stage A	-21.3	-6.92	55.61
Stage A	-21.5	2.45	46.86
Stage A	-21.7	10.22	38.85
Stage A	-21.9	16.53	31.57
Stage A	-22.1	21.53	25
Stage A	-22.3	25.36	19.13
Stage A	-22.5	28.14	13.92
Stage A	-22.7	30.01	9.33
Stage A	-22.9	31.08	5.33
Stage A	-23.1	31.45	1.88
Stage A	-23.3	31.24	-1.06
Stage A	-23.5	30.53	-3.53
Stage A	-23.7	29.42	-5.57
Stage A	-23.9	27.98	-7.22
Stage A	-24.1	26.27	-8.52
Stage A	-24.3	24.37	-9.49
Stage A	-24.5	22.34	-10.19
Stage A	-24.7	20.21	-10.62
Stage A	-24.9	18.05	-10.83
Stage A	-25.1	15.88	-10.83
Stage A	-25.3	13.75	-10.66
Stage A	-25.5	11.69	-10.32
Stage A	-25.7	9.72	-9.84
Stage A	-25.9	7.87	-9.23
Stage A	-26.1	6.17	-8.5
Stage A	-26.3	4.64	-7.66
Stage A	-26.5	3.3	-6.73
Stage A	-26.7	2.16	-5.7
Stage A	-26.9	1.24	-4.58
Stage A	-27.1	0.56	-3.38
Stage A	-27.3	0.14	-2.09
Stage A	-27.5	0	-0.73

Tabella Risultati Paratia SISMICA GEO - Left Wall - Stage: Stage B

Design Assumption: SISMICA GEO Risultati Paratia		Muro: LEFT	
Stage	Z (m)	Momento (kN*m/m)	Taglio (kN/m)
Stage B	-2.5	0	0
Stage B	-2.7	0	0
Stage B	-2.7	0	0
Stage B	-2.9	-0.04	-0.19
Stage B	-3.1	-0.15	-0.57
Stage B	-3.3	-0.38	-1.13
Stage B	-3.5	-0.75	-1.88
Stage B	-3.7	-1.32	-2.82
Stage B	-3.9	-2.11	-3.96
Stage B	-4.1	-3.17	-5.3
Stage B	-4.3	-4.54	-6.85
Stage B	-4.5	-6.26	-8.6
Stage B	-4.7	-8.37	-10.56
Stage B	-4.9	-10.92	-12.74
Stage B	-5.1	-13.94	-15.12
Stage B	-5.3	-17.54	-18.01
Stage B	-5.5	-21.77	-21.14
Stage B	-5.7	-26.67	-24.49
Stage B	-5.9	-32.29	-28.08
Stage B	-6.1	-38.67	-31.9
Stage B	-6.3	-45.86	-35.95
Stage B	-6.5	-53.9	-40.22
Stage B	-6.7	-62.85	-44.73
Stage B	-6.9	-72.74	-49.47
Stage B	-7.1	-83.63	-54.44
Stage B	-7.3	-95.55	-59.63
Stage B	-7.5	-108.57	-65.06
Stage B	-7.7	-122.71	-70.71
Stage B	-7.9	-138.03	-76.59
Stage B	-8.1	-154.56	-82.69
Stage B	-8.3	-172.37	-89.03
Stage B	-8.5	-191.49	-95.59
Stage B	-8.7	-170.42	105.36
Stage B	-8.9	-150.75	98.35
Stage B	-9.1	-132.53	91.1
Stage B	-9.3	-115.8	83.63
Stage B	-9.5	-100.61	75.93
Stage B	-9.7	-86.99	68.14
Stage B	-9.9	-75.03	59.76
Stage B	-10.1	-64.87	50.83
Stage B	-10.3	-56.73	40.7
Stage B	-10.5	-50.74	29.94
Stage B	-10.7	-47.04	18.52
Stage B	-10.9	-45.74	6.47
Stage B	-11.1	-46.99	-6.23
Stage B	-11.3	-50.9	-19.56
Stage B	-11.5	-57.61	-33.53
Stage B	-11.7	-67.23	-48.12
Stage B	-11.9	-79.9	-63.33
Stage B	-12.1	-95.72	-79.12
Stage B	-12.3	-114.82	-95.48
Stage B	-12.5	-137.3	-112.39
Stage B	-12.7	-163.26	-129.82
Stage B	-12.9	-192.8	-147.7
Stage B	-13.1	-226	-166.02
Stage B	-13.3	-262.94	-184.68
Stage B	-13.5	-303.67	-203.63
Stage B	-13.7	-314.66	-54.94
Stage B	-13.9	-329.49	-74.19
Stage B	-14.1	-348.19	-93.46
Stage B	-14.3	-370.7	-112.59
Stage B	-14.5	-396.28	-127.87
Stage B	-14.7	-423.9	-138.12
Stage B	-14.9	-452.56	-143.26
Stage B	-15.1	-481.21	-143.3
Stage B	-15.3	-508.85	-138.17
Stage B	-15.5	-534.37	-127.61

Design Assumption: SISMICA GEO Risultati Paratia		Muro: LEFT	
Stage	Z (m)	Momento (kN*m/m)	Taglio (kN/m)
Stage B	-15.7	-556.69	-111.61
Stage B	-15.9	-574.73	-90.2
Stage B	-16.1	-587.41	-63.39
Stage B	-16.3	-593.66	-31.23
Stage B	-16.5	-593.39	1.36
Stage B	-16.7	-586.72	33.34
Stage B	-16.9	-573.75	64.82
Stage B	-17.1	-554.92	94.17
Stage B	-17.3	-530.62	121.5
Stage B	-17.5	-502.18	142.2
Stage B	-17.7	-470.76	157.11
Stage B	-17.9	-437.35	167.02
Stage B	-18.1	-402.82	172.65
Stage B	-18.3	-367.89	174.64
Stage B	-18.5	-333.16	173.65
Stage B	-18.7	-299.11	170.27
Stage B	-18.9	-266.1	165.03
Stage B	-19.1	-234.42	158.42
Stage B	-19.3	-204.24	150.86
Stage B	-19.5	-175.7	142.74
Stage B	-19.7	-148.82	134.39
Stage B	-19.9	-123.6	126.08
Stage B	-20.1	-99.99	118.07
Stage B	-20.3	-78.82	105.82
Stage B	-20.5	-60.01	94.06
Stage B	-20.7	-43.44	82.87
Stage B	-20.9	-28.97	72.32
Stage B	-21.1	-16.49	62.44
Stage B	-21.3	-5.83	53.27
Stage B	-21.5	3.13	44.82
Stage B	-21.7	10.55	37.09
Stage B	-21.9	16.57	30.08
Stage B	-22.1	21.32	23.76
Stage B	-22.3	24.94	18.11
Stage B	-22.5	27.56	13.1
Stage B	-22.7	29.3	8.7
Stage B	-22.9	30.28	4.87
Stage B	-23.1	30.59	1.56
Stage B	-23.3	30.34	-1.25
Stage B	-23.5	29.62	-3.61
Stage B	-23.7	28.51	-5.55
Stage B	-23.9	27.08	-7.12
Stage B	-24.1	25.41	-8.35
Stage B	-24.3	23.56	-9.27
Stage B	-24.5	21.58	-9.92
Stage B	-24.7	19.51	-10.32
Stage B	-24.9	17.41	-10.5
Stage B	-25.1	15.31	-10.49
Stage B	-25.3	13.25	-10.31
Stage B	-25.5	11.26	-9.97
Stage B	-25.7	9.36	-9.5
Stage B	-25.9	7.58	-8.9
Stage B	-26.1	5.94	-8.19
Stage B	-26.3	4.46	-7.38
Stage B	-26.5	3.17	-6.47
Stage B	-26.7	2.07	-5.48
Stage B	-26.9	1.19	-4.4
Stage B	-27.1	0.54	-3.25
Stage B	-27.3	0.14	-2.01
Stage B	-27.5	0	-0.7

Tabella Risultati Paratia SISMICA GEO - Left Wall - Stage: Stage 4

Design Assumption: SISMICA GEO Risultati Paratia		Muro: LEFT	
Stage	Z (m)	Momento (kN*m/m)	Taglio (kN/m)
Stage 4	-2.5	0	-0.02
Stage 4	-2.7	0	-0.02
Stage 4	-2.7	0	-0.02
Stage 4	-2.9	-0.05	-0.23
Stage 4	-2.9	-0.05	-0.23
Stage 4	-3.1	-0.18	-0.63
Stage 4	-3.3	-0.42	-1.2
Stage 4	-3.5	-0.81	-1.95
Stage 4	-3.7	-1.39	-2.9
Stage 4	-3.9	-2.19	-4.03
Stage 4	-4.1	-3.27	-5.36
Stage 4	-4.3	-4.64	-6.89
Stage 4	-4.5	-6.37	-8.62
Stage 4	-4.7	-8.48	-10.56
Stage 4	-4.9	-11.02	-12.7
Stage 4	-5.1	-14.04	-15.08
Stage 4	-5.3	-17.63	-17.97
Stage 4	-5.5	-21.85	-21.1
Stage 4	-5.7	-26.74	-24.45
Stage 4	-5.9	-32.35	-28.04
Stage 4	-6.1	-38.72	-31.86
Stage 4	-6.3	-45.9	-35.91
Stage 4	-6.5	-53.94	-40.18
Stage 4	-6.7	-62.88	-44.69
Stage 4	-6.9	-72.77	-49.43
Stage 4	-7.1	-83.65	-54.4
Stage 4	-7.3	-95.56	-59.59
Stage 4	-7.5	-108.57	-65.02
Stage 4	-7.7	-122.7	-70.67
Stage 4	-7.9	-138.01	-76.55
Stage 4	-8.1	-154.54	-82.65
Stage 4	-8.3	-172.34	-88.99
Stage 4	-8.5	-191.45	-95.55
Stage 4	-8.7	-138.3	265.75
Stage 4	-8.9	-86.55	258.74
Stage 4	-9.1	-36.25	251.49
Stage 4	-9.3	12.55	244.02
Stage 4	-9.5	59.81	236.32
Stage 4	-9.7	105.5	228.41
Stage 4	-9.9	149.55	220.26
Stage 4	-10.1	191.93	211.89
Stage 4	-10.3	232.5	202.88
Stage 4	-10.5	271.23	193.66
Stage 4	-10.7	308.07	184.19
Stage 4	-10.9	342.98	174.52
Stage 4	-11.1	375.9	164.61
Stage 4	-11.3	406.8	154.49
Stage 4	-11.5	435.62	144.13
Stage 4	-11.7	462.33	133.56
Stage 4	-11.9	486.88	122.75
Stage 4	-12.1	509.23	111.74
Stage 4	-12.3	529.33	100.51
Stage 4	-12.5	547.14	89.05
Stage 4	-12.7	562.62	77.38
Stage 4	-12.9	575.72	65.48
Stage 4	-13.1	586.39	53.37
Stage 4	-13.3	594.6	41.04
Stage 4	-13.5	600.3	28.5
Stage 4	-13.7	670.52	351.12
Stage 4	-13.9	738.15	338.15
Stage 4	-14.1	803.14	324.96
Stage 4	-14.3	865.46	311.55
Stage 4	-14.5	925.04	297.94
Stage 4	-14.7	981.86	284.1
Stage 4	-14.9	1035.88	270.06
Stage 4	-15.1	1087.04	255.81
Stage 4	-15.3	1135.32	241.4

Design Assumption: SISMICA GEO Risultati Paratia		Muro: LEFT	
Stage	Z (m)	Momento (kN*m/m)	Taglio (kN/m)
Stage 4	-15.5	1180.67	226.76
Stage 4	-15.7	1223.05	211.9
Stage 4	-15.9	1262.41	196.81
Stage 4	-16.1	1298.71	181.52
Stage 4	-16.3	1331.91	166
Stage 4	-16.5	1361.96	150.26
Stage 4	-16.7	1388.82	134.29
Stage 4	-16.9	1412.44	118.11
Stage 4	-17.1	1432.78	101.7
Stage 4	-17.3	1449.8	85.08
Stage 4	-17.5	1463.44	68.23
Stage 4	-17.7	1473.68	51.17
Stage 4	-17.9	1480.46	33.89
Stage 4	-18.1	1483.74	16.39
Stage 4	-18.3	1483.47	-1.33
Stage 4	-18.5	1479.62	-19.26
Stage 4	-18.7	1472.13	-37.42
Stage 4	-18.9	1460.98	-55.79
Stage 4	-19.1	1446.1	-74.38
Stage 4	-19.3	1427.46	-93.18
Stage 4	-19.5	1405.02	-112.21
Stage 4	-19.7	1378.73	-131.45
Stage 4	-19.9	1348.55	-150.91
Stage 4	-20.1	1314.43	-170.59
Stage 4	-20.3	1276.33	-190.48
Stage 4	-20.5	1234.22	-210.58
Stage 4	-20.7	1188.03	-230.91
Stage 4	-20.9	1137.74	-251.45
Stage 4	-21.1	1083.3	-272.2
Stage 4	-21.3	1024.95	-291.77
Stage 4	-21.5	963.21	-308.73
Stage 4	-21.7	898.59	-323.09
Stage 4	-21.9	831.62	-334.85
Stage 4	-22.1	762.81	-344.01
Stage 4	-22.3	692.7	-350.58
Stage 4	-22.5	621.79	-354.54
Stage 4	-22.7	550.61	-355.91
Stage 4	-22.9	479.67	-354.67
Stage 4	-23.1	409.5	-350.83
Stage 4	-23.3	340.63	-344.39
Stage 4	-23.5	273.56	-335.35
Stage 4	-23.7	208.81	-323.71
Stage 4	-23.9	146.92	-309.47
Stage 4	-24.1	88.39	-292.63
Stage 4	-24.3	33.76	-273.18
Stage 4	-24.5	-16.47	-251.13
Stage 4	-24.7	-61.77	-226.49
Stage 4	-24.9	-101.61	-199.24
Stage 4	-25.1	-135.49	-169.39
Stage 4	-25.3	-162.88	-136.94
Stage 4	-25.5	-183.26	-101.89
Stage 4	-25.7	-196.1	-64.23
Stage 4	-25.9	-200.9	-23.98
Stage 4	-26.1	-197.17	18.64
Stage 4	-26.3	-184.44	63.63
Stage 4	-26.5	-162.25	110.99
Stage 4	-26.7	-130.11	160.69
Stage 4	-26.9	-87.56	212.75
Stage 4	-27.1	-43.27	221.43
Stage 4	-27.3	-11.8	157.38
Stage 4	-27.5	0	59.01

Tabella Risultati Paratia SISMICA GEO - Left Wall - Stage: Stage D

Design Assumption: SISMICA GEO Risultati Paratia		Muro: LEFT	
Stage	Z (m)	Momento (kN*m/m)	Taglio (kN/m)
Stage D	-2.5	0	-0.02
Stage D	-2.7	0	-0.02
Stage D	-2.7	0	-0.02
Stage D	-2.9	-0.05	-0.23
Stage D	-3.1	-0.17	-0.6
Stage D	-3.3	-0.4	-1.13
Stage D	-3.5	-0.76	-1.82
Stage D	-3.7	-1.3	-2.69
Stage D	-3.9	-2.05	-3.73
Stage D	-4.1	-3.04	-4.96
Stage D	-4.3	-4.32	-6.38
Stage D	-4.5	-5.91	-7.99
Stage D	-4.7	-7.9	-9.95
Stage D	-4.9	-10.33	-12.12
Stage D	-5.1	-13.23	-14.51
Stage D	-5.3	-16.71	-17.4
Stage D	-5.5	-20.82	-20.53
Stage D	-5.7	-25.59	-23.88
Stage D	-5.9	-31.09	-27.47
Stage D	-6.1	-37.34	-31.28
Stage D	-6.3	-44.41	-35.34
Stage D	-6.5	-52.33	-39.61
Stage D	-6.7	-61.16	-44.12
Stage D	-6.9	-70.93	-48.86
Stage D	-7.1	-81.69	-53.83
Stage D	-7.3	-93.5	-59.02
Stage D	-7.5	-106.39	-64.45
Stage D	-7.7	-120.41	-70.09
Stage D	-7.9	-135.6	-75.98
Stage D	-8.1	-152.02	-82.08
Stage D	-8.3	-169.7	-88.42
Stage D	-8.5	-188.7	-94.97
Stage D	-8.7	-135.41	266.44
Stage D	-8.9	-83.52	259.43
Stage D	-9.1	-33.09	252.18
Stage D	-9.3	15.86	244.71
Stage D	-9.5	63.26	237.01
Stage D	-9.7	109.08	229.1
Stage D	-9.9	153.27	220.95
Stage D	-10.1	195.78	212.58
Stage D	-10.3	236.5	203.57
Stage D	-10.5	275.37	194.35
Stage D	-10.7	312.35	184.88
Stage D	-10.9	347.39	175.21
Stage D	-11.1	380.45	165.3
Stage D	-11.3	411.48	155.18
Stage D	-11.5	440.45	144.82
Stage D	-11.7	467.3	134.25
Stage D	-11.9	491.99	123.44
Stage D	-12.1	514.47	112.43
Stage D	-12.3	534.71	101.2
Stage D	-12.5	552.66	89.75
Stage D	-12.7	568.28	78.07
Stage D	-12.9	581.51	66.18
Stage D	-13.1	592.32	54.06
Stage D	-13.3	600.67	41.73
Stage D	-13.5	606.51	29.19
Stage D	-13.7	676.9	351.95
Stage D	-13.9	744.69	338.97
Stage D	-14.1	809.85	325.79
Stage D	-14.3	872.32	312.38
Stage D	-14.5	932.08	298.76
Stage D	-14.7	989.06	284.93
Stage D	-14.9	1043.24	270.89
Stage D	-15.1	1094.56	256.63
Stage D	-15.3	1143.01	242.22
Stage D	-15.5	1188.53	227.58

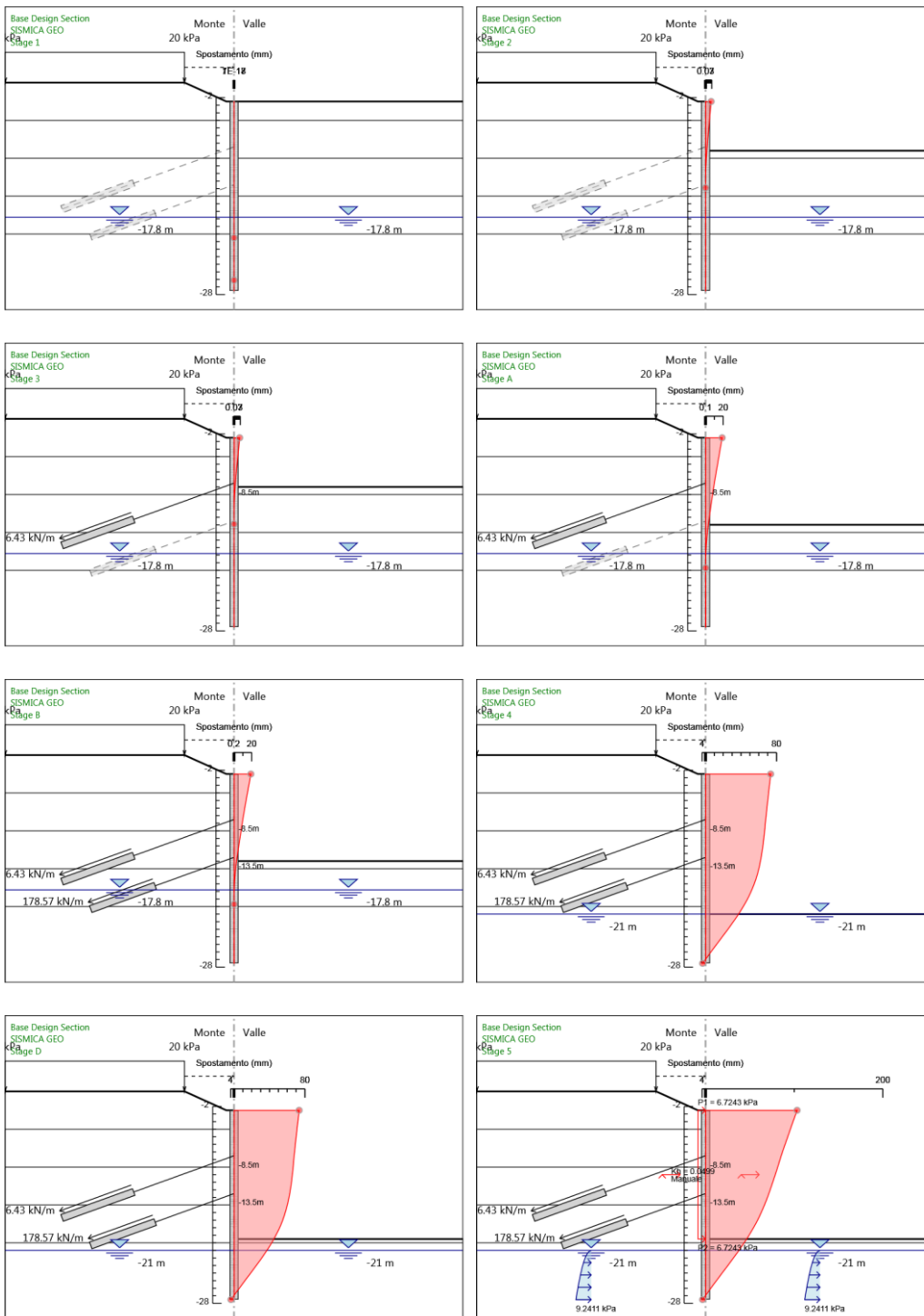
Design Assumption: SISMICA GEO Risultati Paratia		Muro: LEFT	
Stage	Z (m)	Momento (kN*m/m)	Taglio (kN/m)
Stage D	-15.7	1231.07	212.72
Stage D	-15.9	1270.6	197.64
Stage D	-16.1	1307.07	182.34
Stage D	-16.3	1340.43	166.82
Stage D	-16.5	1370.65	151.08
Stage D	-16.7	1397.67	135.11
Stage D	-16.9	1421.46	118.93
Stage D	-17.1	1441.96	102.52
Stage D	-17.3	1459.14	85.9
Stage D	-17.5	1472.95	69.06
Stage D	-17.7	1483.35	52
Stage D	-17.9	1490.29	34.69
Stage D	-18.1	1493.68	16.94
Stage D	-18.3	1493.43	-1.24
Stage D	-18.5	1489.46	-19.87
Stage D	-18.7	1481.66	-38.97
Stage D	-18.9	1469.96	-58.52
Stage D	-19.1	1454.25	-78.55
Stage D	-19.3	1434.44	-99.07
Stage D	-19.5	1410.42	-120.08
Stage D	-19.7	1382.1	-141.58
Stage D	-19.9	1349.43	-163.38
Stage D	-20.1	1312.33	-185.47
Stage D	-20.3	1270.94	-206.97
Stage D	-20.5	1225.2	-228.67
Stage D	-20.7	1175.09	-250.59
Stage D	-20.9	1120.59	-272.47
Stage D	-21.1	1061.74	-294.25
Stage D	-21.3	1000.56	-305.89
Stage D	-21.5	937.17	-316.97
Stage D	-21.7	871.82	-326.74
Stage D	-21.9	804.84	-334.9
Stage D	-22.1	736.6	-341.23
Stage D	-22.3	667.47	-345.62
Stage D	-22.5	597.89	-347.94
Stage D	-22.7	528.26	-348.12
Stage D	-22.9	459.05	-346.06
Stage D	-23.1	390.7	-341.72
Stage D	-23.3	323.69	-335.04
Stage D	-23.5	258.5	-325.97
Stage D	-23.7	195.61	-314.47
Stage D	-23.9	135.5	-300.51
Stage D	-24.1	78.69	-284.05
Stage D	-24.3	25.68	-265.06
Stage D	-24.5	-23.02	-243.51
Stage D	-24.7	-66.9	-219.4
Stage D	-24.9	-105.44	-192.71
Stage D	-25.1	-138.12	-163.41
Stage D	-25.3	-164.42	-131.5
Stage D	-25.5	-183.82	-96.97
Stage D	-25.7	-195.8	-59.91
Stage D	-25.9	-199.91	-20.55
Stage D	-26.1	-195.75	20.82
Stage D	-26.3	-182.83	64.58
Stage D	-26.5	-160.66	110.85
Stage D	-26.7	-128.74	159.62
Stage D	-26.9	-86.56	210.87
Stage D	-27.1	-42.69	219.37
Stage D	-27.3	-11.65	155.19
Stage D	-27.5	0	58.26

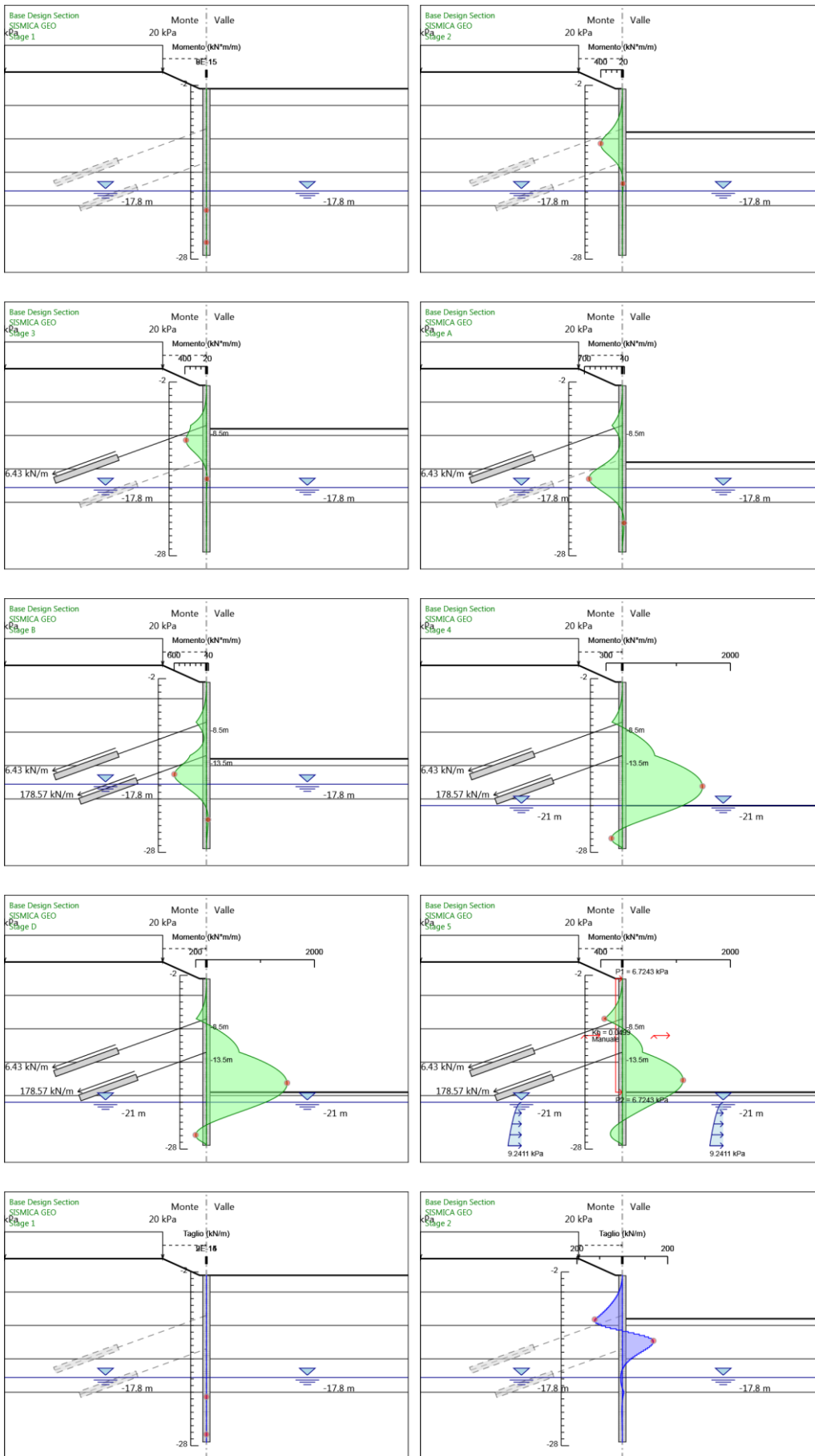
Tabella Risultati Paratia SISMICA GEO - Left Wall - Stage: Stage 5

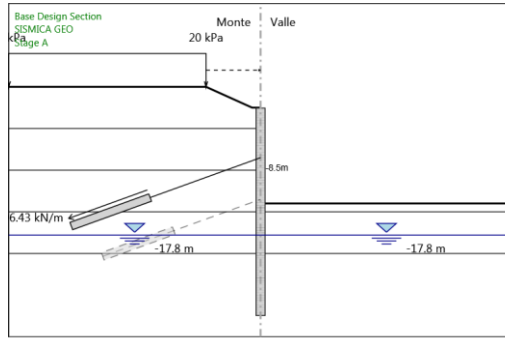
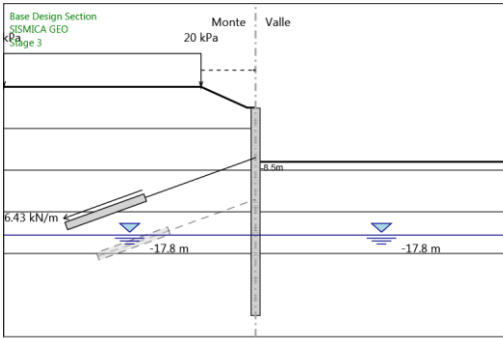
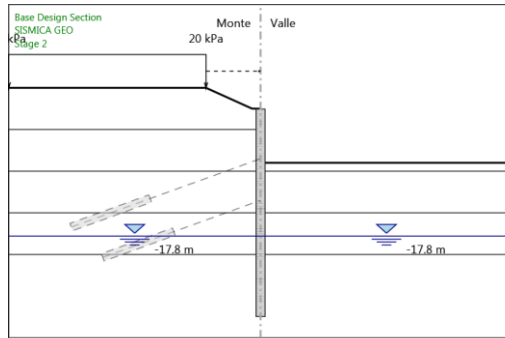
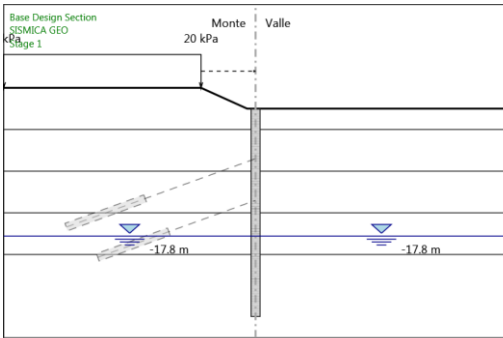
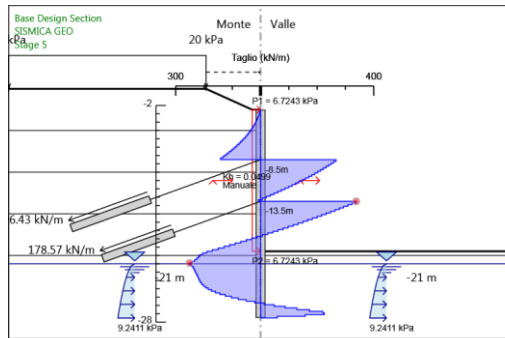
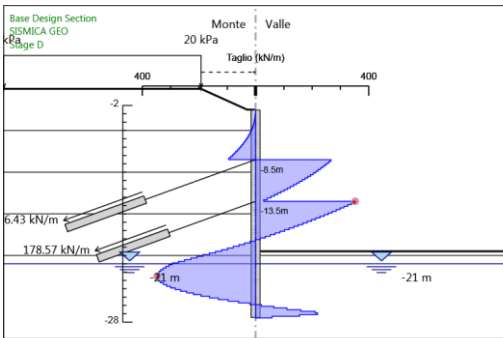
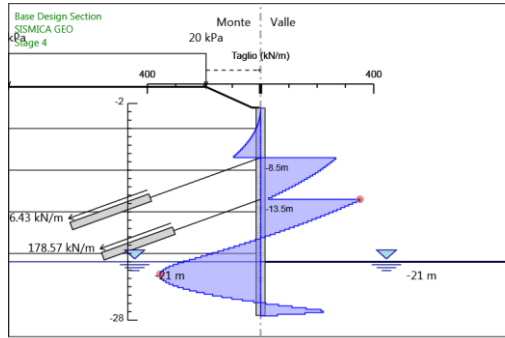
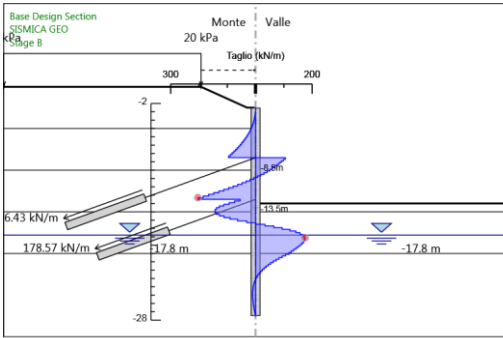
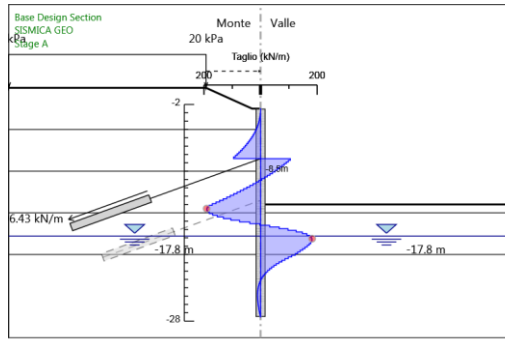
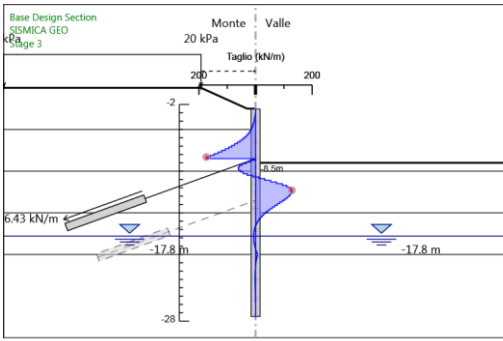
Design Assumption: SISMICA GEO Risultati Paratia		Muro: LEFT	
Stage	Z (m)	Momento (kN*m/m)	Taglio (kN/m)
Stage 5	-2.5	0	-0.78
Stage 5	-2.7	-0.16	-0.78
Stage 5	-2.9	-0.66	-2.53
Stage 5	-3.1	-1.55	-4.46
Stage 5	-3.3	-2.87	-6.57
Stage 5	-3.5	-4.64	-8.88
Stage 5	-3.7	-6.92	-11.37
Stage 5	-3.9	-9.73	-14.07
Stage 5	-4.1	-13.12	-16.97
Stage 5	-4.3	-17.14	-20.07
Stage 5	-4.5	-21.81	-23.38
Stage 5	-4.7	-27.19	-26.9
Stage 5	-4.9	-33.32	-30.63
Stage 5	-5.1	-40.23	-34.57
Stage 5	-5.3	-48.03	-39.01
Stage 5	-5.5	-56.77	-43.7
Stage 5	-5.7	-66.49	-48.6
Stage 5	-5.9	-77.25	-53.75
Stage 5	-6.1	-89.07	-59.12
Stage 5	-6.3	-102.01	-64.73
Stage 5	-6.5	-116.13	-70.56
Stage 5	-6.7	-131.45	-76.62
Stage 5	-6.9	-148.03	-82.91
Stage 5	-7.1	-165.92	-89.44
Stage 5	-7.3	-185.16	-96.19
Stage 5	-7.5	-205.79	-103.17
Stage 5	-7.7	-227.87	-110.37
Stage 5	-7.9	-251.43	-117.82
Stage 5	-8.1	-276.52	-125.47
Stage 5	-8.3	-303.2	-133.37
Stage 5	-8.5	-331.49	-141.48
Stage 5	-8.7	-278.12	266.88
Stage 5	-8.9	-226.45	258.32
Stage 5	-9.1	-176.55	249.51
Stage 5	-9.3	-128.46	240.48
Stage 5	-9.5	-82.21	231.23
Stage 5	-9.7	-37.86	221.76
Stage 5	-9.9	4.55	212.05
Stage 5	-10.1	44.98	202.13
Stage 5	-10.3	83.29	191.57
Stage 5	-10.5	119.45	180.79
Stage 5	-10.7	153.4	169.77
Stage 5	-10.9	185.11	158.54
Stage 5	-11.1	214.53	147.08
Stage 5	-11.3	241.61	135.4
Stage 5	-11.5	266.3	123.48
Stage 5	-11.7	288.57	111.35
Stage 5	-11.9	308.37	98.99
Stage 5	-12.1	325.66	86.43
Stage 5	-12.3	340.39	73.63
Stage 5	-12.5	352.51	60.63
Stage 5	-12.7	361.99	47.39
Stage 5	-12.9	368.78	33.95
Stage 5	-13.1	372.83	20.28
Stage 5	-13.3	374.11	6.39
Stage 5	-13.5	372.57	-7.71
Stage 5	-13.7	440.14	337.83
Stage 5	-13.9	504.8	323.29
Stage 5	-14.1	566.51	308.55
Stage 5	-14.3	625.22	293.59
Stage 5	-14.5	680.91	278.42
Stage 5	-14.7	733.51	263.03
Stage 5	-14.9	783	247.43
Stage 5	-15.1	829.32	231.62
Stage 5	-15.3	872.46	215.65
Stage 5	-15.5	912.35	199.46
Stage 5	-15.7	948.96	183.05

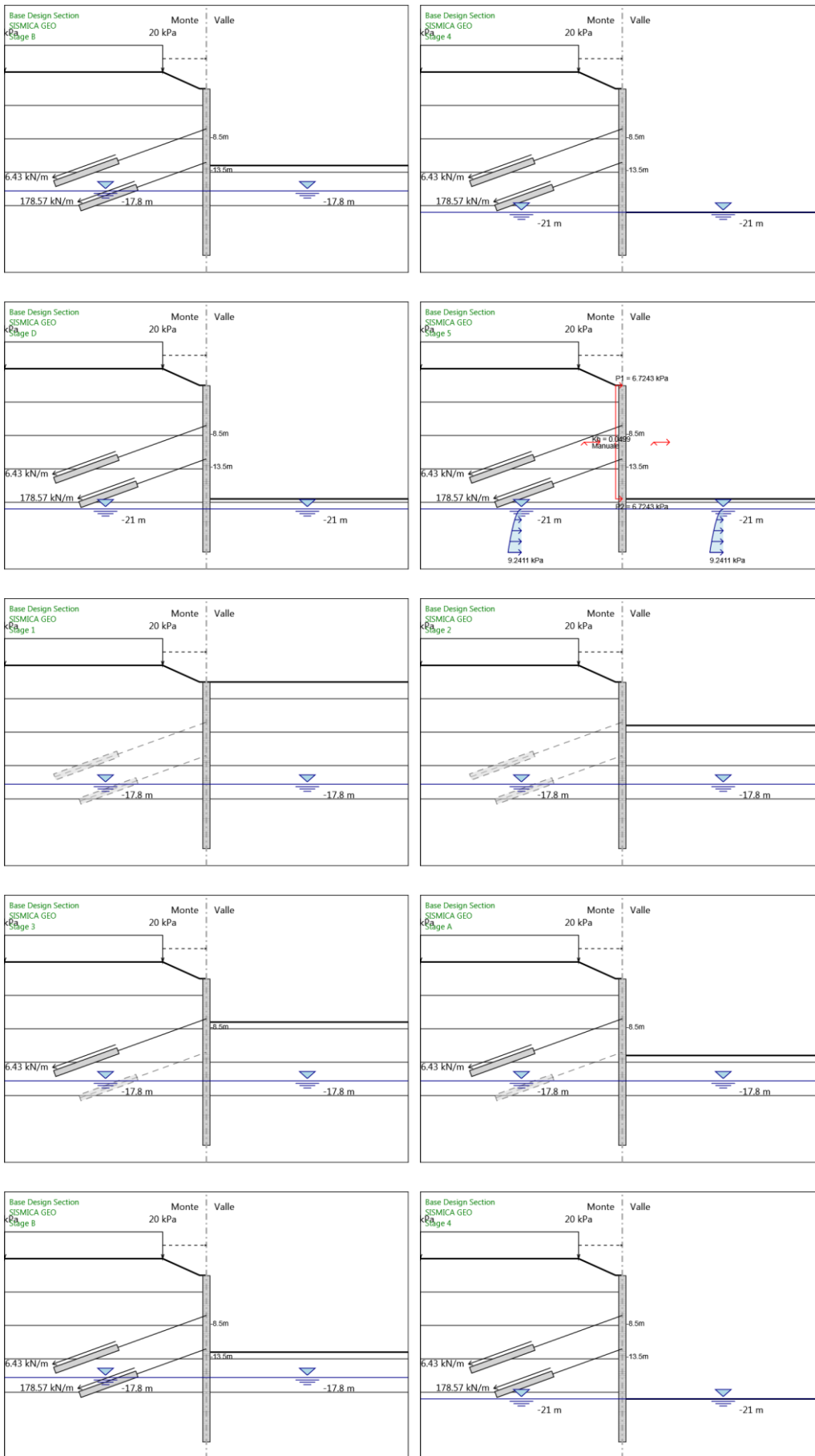
Design Assumption: SISMICA GEO Risultati Paratia		Muro: LEFT	
Stage	Z (m)	Momento (kN*m/m)	Taglio (kN/m)
Stage 5	-15.9	982.24	166.41
Stage 5	-16.1	1012.15	149.55
Stage 5	-16.3	1038.64	132.48
Stage 5	-16.5	1061.68	115.18
Stage 5	-16.7	1081.21	97.66
Stage 5	-16.9	1097.2	79.92
Stage 5	-17.1	1109.59	61.96
Stage 5	-17.3	1118.34	43.78
Stage 5	-17.5	1123.42	25.38
Stage 5	-17.7	1124.77	6.77
Stage 5	-17.9	1122.36	-12.07
Stage 5	-18.1	1116.13	-31.13
Stage 5	-18.3	1106.05	-50.4
Stage 5	-18.5	1092.07	-69.89
Stage 5	-18.7	1074.15	-89.61
Stage 5	-18.9	1052.24	-109.53
Stage 5	-19.1	1026.31	-129.68
Stage 5	-19.3	996.3	-150.04
Stage 5	-19.5	962.18	-170.62
Stage 5	-19.7	924.21	-189.86
Stage 5	-19.9	883.32	-204.44
Stage 5	-20.1	840.45	-214.36
Stage 5	-20.3	796.52	-219.62
Stage 5	-20.5	751.36	-225.8
Stage 5	-20.7	704.71	-233.26
Stage 5	-20.9	656.35	-241.78
Stage 5	-21.1	606.1	-251.24
Stage 5	-21.3	557.32	-243.91
Stage 5	-21.5	509.51	-239.06
Stage 5	-21.7	462.42	-235.47
Stage 5	-21.9	415.91	-232.53
Stage 5	-22.1	369.95	-229.79
Stage 5	-22.3	324.57	-226.88
Stage 5	-22.5	279.87	-223.54
Stage 5	-22.7	235.69	-220.87
Stage 5	-22.9	192.02	-218.38
Stage 5	-23.1	148.89	-215.63
Stage 5	-23.3	106.45	-212.21
Stage 5	-23.5	64.9	-207.75
Stage 5	-23.7	24.51	-201.94
Stage 5	-23.9	-14.39	-194.47
Stage 5	-24.1	-51.41	-185.1
Stage 5	-24.3	-86.13	-173.6
Stage 5	-24.5	-118.08	-159.78
Stage 5	-24.7	-146.78	-143.46
Stage 5	-24.9	-171.68	-124.52
Stage 5	-25.1	-192.24	-102.82
Stage 5	-25.3	-207.9	-78.27
Stage 5	-25.5	-218.05	-50.79
Stage 5	-25.7	-222.14	-20.41
Stage 5	-25.9	-219.6	12.69
Stage 5	-26.1	-209.95	48.24
Stage 5	-26.3	-192.62	86.66
Stage 5	-26.5	-167	128.09
Stage 5	-26.7	-132.5	172.53
Stage 5	-26.9	-88.5	219.97
Stage 5	-27.1	-43.47	225.18
Stage 5	-27.3	-11.82	158.24
Stage 5	-27.5	0	59.09

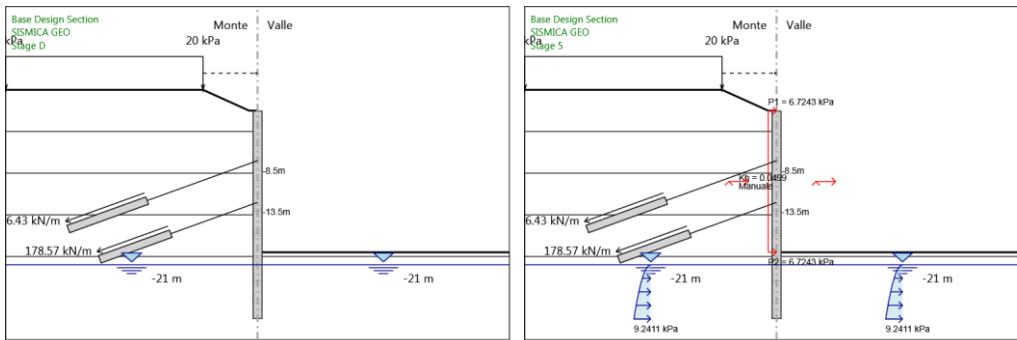
Tabella Grafici dei Risultati











Risultati Elementi strutturali - SISMICA GEO

Design Assumption: SISMICA GEO Sollecitazione Tieback

Stage	Forza (kN/m)
Stage 3	196.4
Stage A	220.9488
Stage B	221.0676
Stage 4	391.7095
Stage D	391.8356
Stage 5	443.4454

Design Assumption: SISMICA GEO Sollecitazione Tieback_New

Stage	Forza (kN/m)
Stage B	178.6
Stage 4	356.9042
Stage D	357.0465
Stage 5	382.937

TRATTA B



Report di Calcolo

Nome Progetto: New Project

Autore: Ingegnere

Jobname: N:\P-CH Lomazzo\02-Mandati\02014 - Gallerie CEPAV2\300_Progetto\308_Progetto esecutivo_MA\04_Calcolo\LONATO\02-Paratie\Imb_MI\01_Imbocco\Tratta B_V04.pplus

Data: 23/08/2018 12:18:49

Design Section: Base Design Section

Sommario

Contenuto Sommario

Descrizione del Software

ParatiePlus è un codice agli elementi finiti che simula il problema di uno scavo sostenuto da diaframmi flessibili e permette di valutare il comportamento della parete di sostegno durante tutte le fasi intermedie e nella configurazione finale.

Descrizione della Stratigrafia e degli Strati di Terreno

Tipo : POLYLINE

Punti

(-30;0)

(30;0)

(30;-30)

(-30;-30)

OCR : 1

Tipo : POLYLINE

Punti

(-30;-5)

(30;-5)

(30;-30)

(-30;-30)

OCR : 1

Tipo : POLYLINE

Punti

(-30;-10)

(30;-10)

(30;-30)

(-30;-30)

OCR : 1

Tipo : POLYLINE

Punti

(-30;-15)

(30;-15)

(30;-30)

(-30;-30)

OCR : 1

Tipo : POLYLINE

Punti

(-30;-20)

(30;-20)

(30;-30)

(-30;-30)

OCR : 1

Tipo : LENS

Punti

(-10;-6)

(0.6;-6)

(0.6;-22)

(-10;-22)

OCR : 1

Descrizione Pareti

X : 0 m

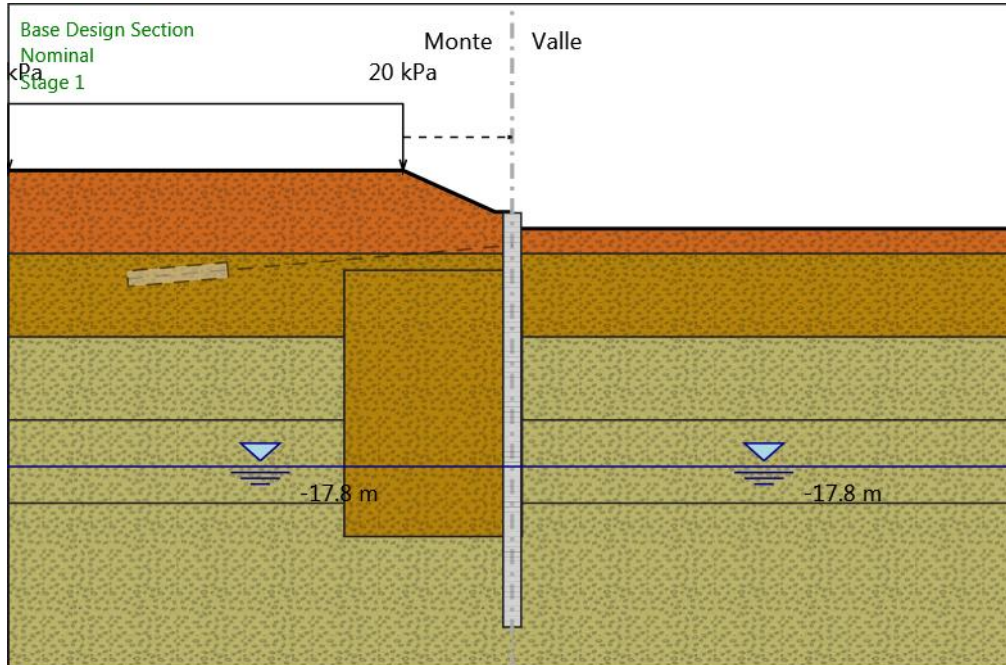
Quota in alto : -2.5 m

Quota di fondo : -27.5 m

Muro di sinistra

Fasi di Calcolo

Stage 1



Stage 1

Elementi strutturali

Paratia : WallElement

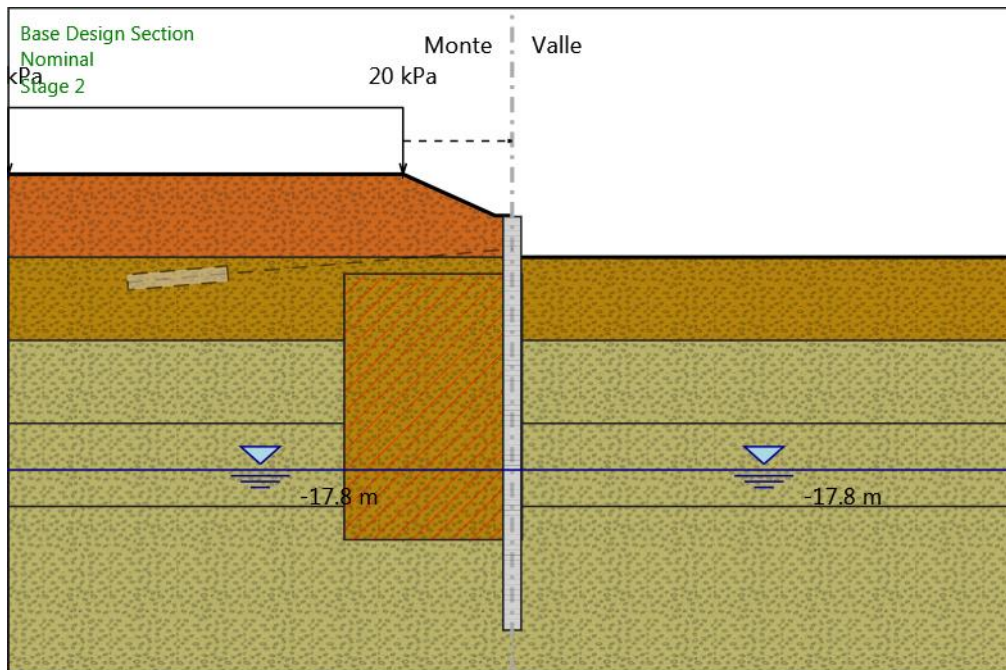
X : 0 m

Quota in alto : -2.5 m

Quota di fondo : -27.5 m

Sezione : Default Section

Stage 2



Stage 2

Elementi strutturali

Paratia : WallElement

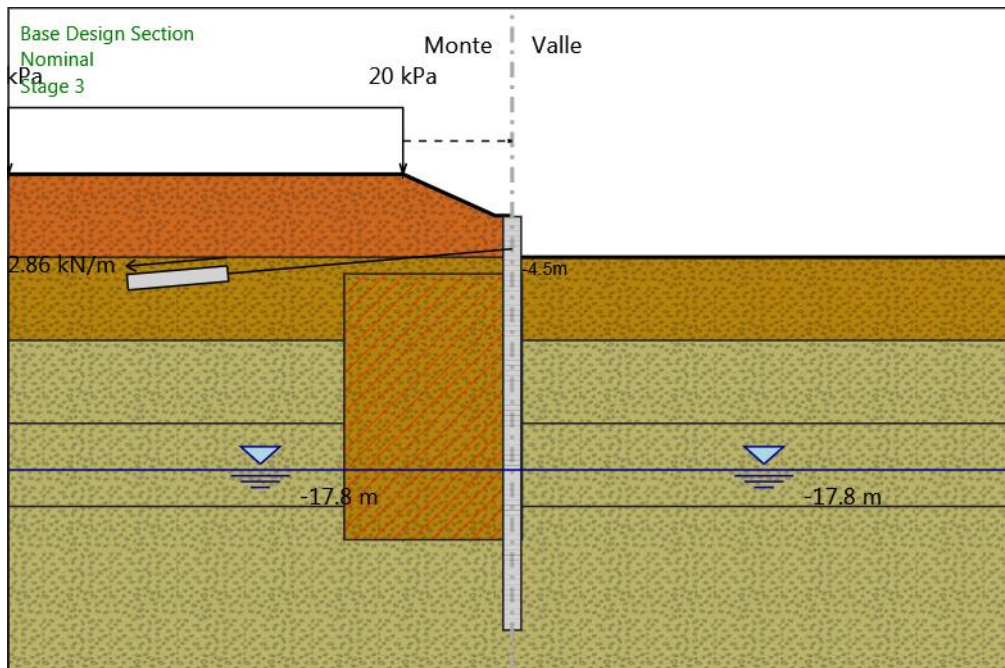
X : 0 m

Quota in alto : -2.5 m

Quota di fondo : -27.5 m

Sezione : Default Section

Stage 3



Stage 3

Elementi strutturali

Paratia : WallElement

X : 0 m

Quota in alto : -2.5 m

Quota di fondo : -27.5 m

Sezione : Default Section

Tirante : Tieback

X : 0 m

Z : -4.5 m

Lunghezza bulbo : 6 m

Diametro bulbo : 0.18 m

Lunghezza libera : 17 m

Spaziatura orizzontale : 2.8 m

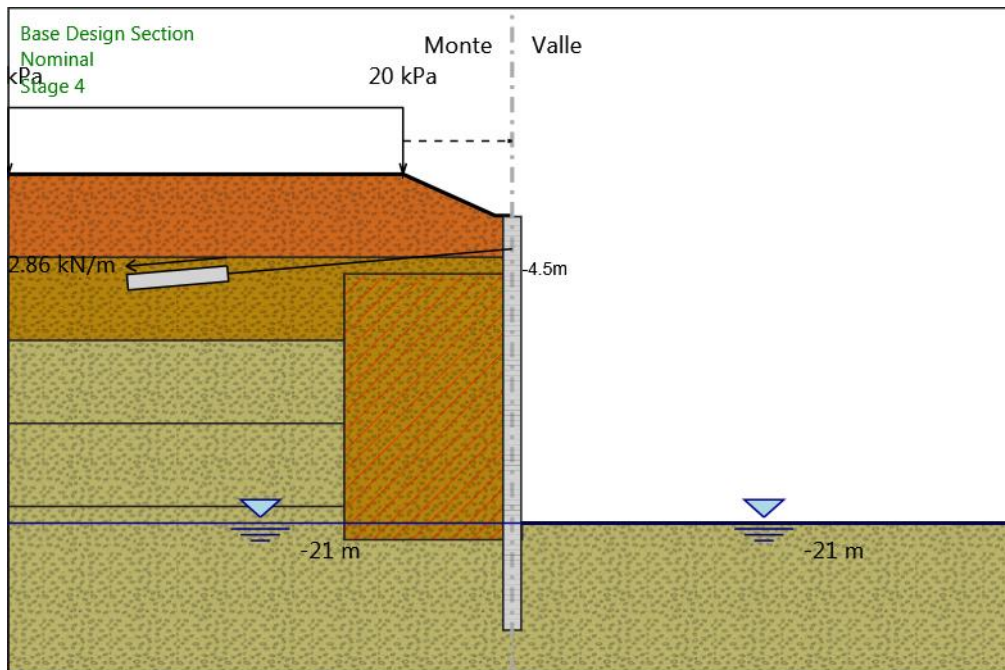
Precarico : 400 kN

Angolo : 5 °

Sezione : 4 strands

Area : 0.000556 m²

Stage 4



Stage 4

Elementi strutturali

Paratia : WallElement

X : 0 m

Quota in alto : -2.5 m

Quota di fondo : -27.5 m

Sezione : Default Section

Tirante : Tieback

X : 0 m

Z : -4.5 m

Lunghezza bulbo : 6 m

Diametro bulbo : 0.18 m

Lunghezza libera : 17 m

Spaziatura orizzontale : 2.8 m

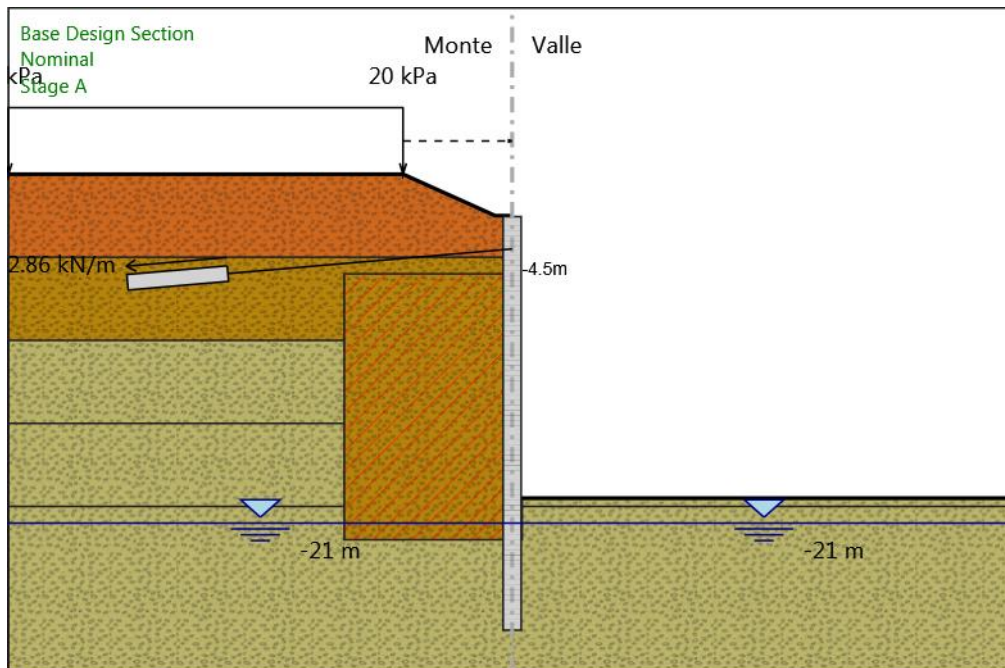
Precarico : 400 kN

Angolo : 5 °

Sezione : 4 strands

Area : 0.000556 m²

Stage A



Stage A

Elementi strutturali

Paratia : WallElement

X : 0 m

Quota in alto : -2.5 m

Quota di fondo : -27.5 m

Sezione : Default Section

Tirante : Tieback

X : 0 m

Z : -4.5 m

Lunghezza bulbo : 6 m

Diametro bulbo : 0.18 m

Lunghezza libera : 17 m

Spaziatura orizzontale : 2.8 m

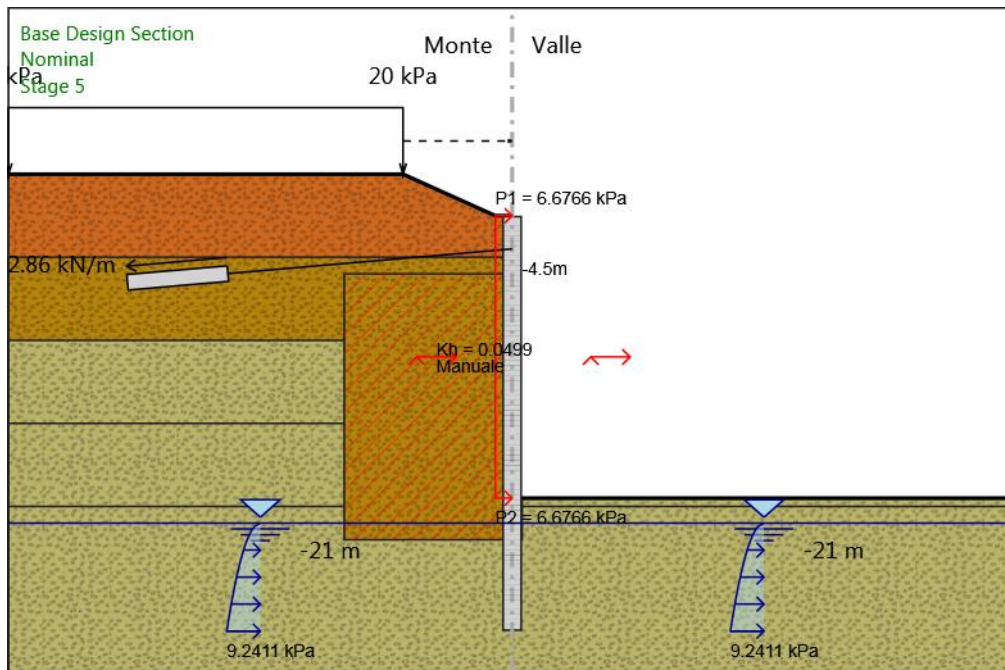
Precarico : 400 kN

Angolo : 5 °

Sezione : 4 strands

Area : 0.000556 m²

Stage 5



Stage 5

Elementi strutturali

Paratia : WallElement

X : 0 m

Quota in alto : -2.5 m

Quota di fondo : -27.5 m

Sezione : Default Section

Tirante : Tieback

X : 0 m

Z : -4.5 m

Lunghezza bulbo : 6 m

Diametro bulbo : 0.18 m

Lunghezza libera : 17 m

Spaziatura orizzontale : 2.8 m

Precarico : 400 kN

Angolo : 5 °

Sezione : 4 strands

Area : 0.000556 m²

Descrizione Coefficienti Design Assumption

Coefficienti A

Nome	Carichi Per- manenti Sfa- vorevoli (F_dead_load _unfavour)	Carichi Permanenti Favorevoli (F_dead_loa d_favour)	Carichi Va- riabili Sfa- vorevoli (F_live_load _unfavour)	Carichi Variabili Favorevoli (F_live_loa d_favour)	Carico Sismico (F_seis m_load)	Pres- sioni Monte (F_Wa terDR)	Pres- sioni Valle (F_Wat erRes)	Carichi Perma- nenti Destabi- lizzanti (F_UPL_ GDStab)	Carichi Perma- nenti Stabiliz- zanti (F_UPL_ GDStab)	Carichi Variabili Destabi- lizzanti (F_UPL_ QDStab)	Carichi Perma- nenti Destabi- lizzanti (F_HYD_ GDStab)	Carichi Perma- nenti Stabiliz- zanti (F_HYD_ GDStab)	Carichi Variabili Destabi- lizzanti (F_HYD_ QDStab)
Simbolo	γ_G	γ_G	γ_Q	γ_Q	γ_{QE}	γ_G	γ_G	γ_{Gdst}	γ_{Gstb}	γ_{Qdst}	γ_{Gdst}	γ_{Gstb}	γ_{Qdst}
Nominal	1	1	1	1	1	1	1	1	1	1	1	1	1
SLE (Rara/ Frequente/ Quasi Permanente)	1	1	1	1	0	1	1	1	1	1	1	1	1
A1+M1+R1 (R3 per tiranti)	1.3	1	1.5	1	0	1.3	1	1	1	1	1.3	0.9	1
A2+M2+R1	1	1	1.3	1	0	1	1	1	1	1	1.3	0.9	1
SISMICA STR	1	1	1	1	1	1	1	1	1	1	1	1	1
SISMICA GEO	1	1	1	1	1	1	1	1	1	1	1.3	0.9	1

Coefficienti M

Nome	Parziale su tan(ϕ') (F_Fr)	Parziale su c' (F_eff_cohe)	Parziale su Su (F_Su)	Parziale su qu (F_qu)	Parziale su peso specifico (F_gamma)
Simbolo	γ_ϕ	γ_c	γ_{cu}	γ_{qu}	γ_γ
Nominal	1	1	1	1	1
SLE (Rara/ Frequente/ Quasi Perma- nente)	1	1	1	1	1
A1+M1+R1 (R3 per tiranti)	1	1	1	1	1
A2+M2+R1	1.25	1.25	1.4	1	1
SISMICA STR	1	1	1	1	1
SISMICA GEO	1.25	1.25	1.4	1	1

Coefficienti R

Nome	Parziale resistenza terreno (es. Kp) (F_Soil_Res_walls)	Parziale resistenza Tiranti permanenti (F_Anch_P)	Parziale resistenza Tiranti temporanei (F_Anch_T)	Parziale elementi strutturali (F_wall)
Simbolo	γ_{Re}	γ_{ap}	γ_{at}	
Nominal	1	1	1	1
SLE (Rara/ Frequente/ Quasi Permanente)	1	1	1	1
A1+M1+R1 (R3 per tiranti)	1	1.2	1.1	1
A2+M2+R1	1	1.2	1.1	1
SISMICA STR	1	1.2	1.1	1
SISMICA GEO	1	1.2	1.1	1

Risultati SLE (Rara/Frequente/Quasi Permanente)

Tabella Spostamento SLE (Rara/Frequente/Quasi Permanente) - LEFT Stage: Stage 1

Design Assumption: SLE (Rara/Frequente/Quasi Permanente) Tipo Risultato: Spostamento			Muro: LEFT
Stage	Z (m)	Spostamento (mm)	
Stage 1	-2.5	0.05	
Stage 1	-2.7	0.05	
Stage 1	-2.9	0.04	
Stage 1	-3.1	0.04	
Stage 1	-3.3	0.04	
Stage 1	-3.5	0.04	
Stage 1	-3.7	0.03	
Stage 1	-3.9	0.03	
Stage 1	-4.1	0.03	
Stage 1	-4.3	0.03	
Stage 1	-4.5	0.03	
Stage 1	-4.7	0.02	
Stage 1	-4.9	0.02	
Stage 1	-5.1	0.02	
Stage 1	-5.3	0.02	
Stage 1	-5.5	0.02	
Stage 1	-5.7	0.02	
Stage 1	-5.9	0.02	
Stage 1	-6.1	0.01	
Stage 1	-6.3	0.01	
Stage 1	-6.5	0.01	
Stage 1	-6.7	0.01	
Stage 1	-6.9	0.01	
Stage 1	-7.1	0.01	
Stage 1	-7.3	0.01	
Stage 1	-7.5	0.01	
Stage 1	-7.7	0.01	
Stage 1	-7.9	0.01	
Stage 1	-8.1	0.01	
Stage 1	-8.3	0.01	
Stage 1	-8.5	0.01	
Stage 1	-8.7	0.01	
Stage 1	-8.9	0.01	
Stage 1	-9.1	0.01	
Stage 1	-9.3	0.01	
Stage 1	-9.5	0.01	
Stage 1	-9.7	0.01	
Stage 1	-9.9	0.01	
Stage 1	-10.1	0.01	
Stage 1	-10.3	0.01	
Stage 1	-10.5	0.01	
Stage 1	-10.7	0.01	
Stage 1	-10.9	0.01	
Stage 1	-11.1	0.01	
Stage 1	-11.3	0.01	
Stage 1	-11.5	0.01	
Stage 1	-11.7	0.01	
Stage 1	-11.9	0.01	
Stage 1	-12.1	0.01	
Stage 1	-12.3	0.01	
Stage 1	-12.5	0.01	
Stage 1	-12.7	0.01	
Stage 1	-12.9	0.01	
Stage 1	-13.1	0.01	
Stage 1	-13.3	0.01	
Stage 1	-13.5	0.01	
Stage 1	-13.7	0.01	
Stage 1	-13.9	0.01	
Stage 1	-14.1	0.01	
Stage 1	-14.3	0.01	
Stage 1	-14.5	0.01	
Stage 1	-14.7	0.01	
Stage 1	-14.9	0.01	
Stage 1	-15.1	0.01	

Design Assumption: SLE (Rara/Frequente/Quasi Permanente) Tipo Risultato: Spostamento			Muro: LEFT
Stage	Z (m)	Spostamento (mm)	
Stage 1	-15.3	0.01	
Stage 1	-15.5	0.01	
Stage 1	-15.7	0.01	
Stage 1	-15.9	0.01	
Stage 1	-16.1	0.01	
Stage 1	-16.3	0.01	
Stage 1	-16.5	0.01	
Stage 1	-16.7	0.01	
Stage 1	-16.9	0.01	
Stage 1	-17.1	0.01	
Stage 1	-17.3	0.01	
Stage 1	-17.5	0.01	
Stage 1	-17.7	0.01	
Stage 1	-17.9	0.01	
Stage 1	-18.1	0.01	
Stage 1	-18.3	0.01	
Stage 1	-18.5	0.01	
Stage 1	-18.7	0.01	
Stage 1	-18.9	0.01	
Stage 1	-19.1	0.01	
Stage 1	-19.3	0.01	
Stage 1	-19.5	0.01	
Stage 1	-19.7	0.01	
Stage 1	-19.9	0.01	
Stage 1	-20.1	0.01	
Stage 1	-20.3	0.01	
Stage 1	-20.5	0.01	
Stage 1	-20.7	0.01	
Stage 1	-20.9	0.01	
Stage 1	-21.1	0.01	
Stage 1	-21.3	0.01	
Stage 1	-21.5	0.01	
Stage 1	-21.7	0.01	
Stage 1	-21.9	0.01	
Stage 1	-22.1	0.01	
Stage 1	-22.3	0.01	
Stage 1	-22.5	0.01	
Stage 1	-22.7	0.01	
Stage 1	-22.9	0.01	
Stage 1	-23.1	0.01	
Stage 1	-23.3	0.01	
Stage 1	-23.5	0.01	
Stage 1	-23.7	0.01	
Stage 1	-23.9	0.01	
Stage 1	-24.1	0.01	
Stage 1	-24.3	0.01	
Stage 1	-24.5	0.01	
Stage 1	-24.7	0.01	
Stage 1	-24.9	0.01	
Stage 1	-25.1	0.01	
Stage 1	-25.3	0.01	
Stage 1	-25.5	0.01	
Stage 1	-25.7	0.01	
Stage 1	-25.9	0.01	
Stage 1	-26.1	0.01	
Stage 1	-26.3	0.01	
Stage 1	-26.5	0.01	
Stage 1	-26.7	0.01	
Stage 1	-26.9	0.01	
Stage 1	-27.1	0.01	
Stage 1	-27.3	0.01	
Stage 1	-27.5	0.01	

Tabella Risultati Paratia SLE (Rara/Frequente/Quasi Permanente) - Left Wall - Stage: Stage 1

Design Assumption: SLE (Rara/Frequente/Quasi Permanente) Risultati Paratia		Muro: LEFT	
Stage	Z (m)	Momento (kN*m/m)	Taglio (kN/m)
Stage 1	-2.5	0	0
Stage 1	-2.7	0	0
Stage 1	-2.9	-0.03	-0.14
Stage 1	-3.1	-0.11	-0.42
Stage 1	-3.3	-0.34	-1.14
Stage 1	-3.5	-0.9	-2.8
Stage 1	-3.7	-1.97	-5.35
Stage 1	-3.9	-2.94	-4.86
Stage 1	-4.1	-3.85	-4.54
Stage 1	-4.3	-4.73	-4.38
Stage 1	-4.5	-5.6	-4.38
Stage 1	-4.7	-6.51	-4.54
Stage 1	-4.9	-7.48	-4.84
Stage 1	-5.1	-8.53	-5.27
Stage 1	-5.3	-9.11	-2.88
Stage 1	-5.5	-9.29	-0.9
Stage 1	-5.7	-9.14	0.71
Stage 1	-5.9	-8.75	1.99
Stage 1	-6.1	-8.15	2.98
Stage 1	-6.3	-7.46	3.42
Stage 1	-6.5	-6.73	3.67
Stage 1	-6.7	-5.98	3.77
Stage 1	-6.9	-5.23	3.74
Stage 1	-7.1	-4.5	3.62
Stage 1	-7.3	-3.82	3.43
Stage 1	-7.5	-3.18	3.2
Stage 1	-7.7	-2.59	2.92
Stage 1	-7.9	-2.07	2.63
Stage 1	-8.1	-1.6	2.34
Stage 1	-8.3	-1.19	2.04
Stage 1	-8.5	-0.84	1.76
Stage 1	-8.7	-0.54	1.49
Stage 1	-8.9	-0.3	1.23
Stage 1	-9.1	-0.1	1.01
Stage 1	-9.3	0.06	0.8
Stage 1	-9.5	0.19	0.62
Stage 1	-9.7	0.28	0.46
Stage 1	-9.9	0.34	0.32
Stage 1	-10.1	0.38	0.21
Stage 1	-10.3	0.41	0.11
Stage 1	-10.5	0.41	0.03
Stage 1	-10.7	0.41	-0.03
Stage 1	-10.9	0.39	-0.08
Stage 1	-11.1	0.37	-0.11
Stage 1	-11.3	0.34	-0.14
Stage 1	-11.5	0.31	-0.15
Stage 1	-11.7	0.28	-0.16
Stage 1	-11.9	0.25	-0.16
Stage 1	-12.1	0.21	-0.16
Stage 1	-12.3	0.18	-0.15
Stage 1	-12.5	0.15	-0.14
Stage 1	-12.7	0.13	-0.13
Stage 1	-12.9	0.1	-0.12
Stage 1	-13.1	0.08	-0.11
Stage 1	-13.3	0.06	-0.1
Stage 1	-13.5	0.05	-0.08
Stage 1	-13.7	0.03	-0.07
Stage 1	-13.9	0.02	-0.06
Stage 1	-14.1	0.01	-0.05
Stage 1	-14.3	0	-0.04
Stage 1	-14.5	-0.01	-0.03
Stage 1	-14.7	-0.01	-0.02
Stage 1	-14.9	-0.01	-0.02
Stage 1	-15.1	-0.02	-0.01
Stage 1	-15.3	-0.02	-0.01
Stage 1	-15.5	-0.02	0
Stage 1	-15.7	-0.02	0

Design Assumption: SLE (Rara/Frequente/Quasi Permanente) Risultati Paratia		Muro: LEFT	
Stage	Z (m)	Momento (kN*m/m)	Taglio (kN/m)
Stage 1	-15.9	-0.02	0
Stage 1	-16.1	-0.02	0
Stage 1	-16.3	-0.02	0.01
Stage 1	-16.5	-0.01	0.01
Stage 1	-16.7	-0.01	0.01
Stage 1	-16.9	-0.01	0.01
Stage 1	-17.1	-0.01	0.01
Stage 1	-17.3	-0.01	0.01
Stage 1	-17.5	-0.01	0.01
Stage 1	-17.7	0	0.01
Stage 1	-17.9	0	0.01
Stage 1	-18.1	0	0.01
Stage 1	-18.3	0	0.01
Stage 1	-18.5	0	0.01
Stage 1	-18.7	0	0.01
Stage 1	-18.9	0	0.01
Stage 1	-19.1	0.01	0.01
Stage 1	-19.3	0.01	0.01
Stage 1	-19.5	0.01	0.01
Stage 1	-19.7	0.01	0.01
Stage 1	-19.9	0.01	0.01
Stage 1	-20.1	0.01	0.01
Stage 1	-20.3	0.01	0
Stage 1	-20.5	0.01	0
Stage 1	-20.7	0.01	0
Stage 1	-20.9	0.01	0
Stage 1	-21.1	0.01	0
Stage 1	-21.3	0.01	-0.01
Stage 1	-21.5	0.01	-0.01
Stage 1	-21.7	0.01	-0.01
Stage 1	-21.9	0	-0.02
Stage 1	-22.1	0	-0.03
Stage 1	-22.3	-0.01	-0.02
Stage 1	-22.5	-0.01	-0.01
Stage 1	-22.7	-0.01	-0.01
Stage 1	-22.9	-0.01	-0.01
Stage 1	-23.1	-0.01	0
Stage 1	-23.3	-0.01	0
Stage 1	-23.5	-0.01	0
Stage 1	-23.7	-0.01	0
Stage 1	-23.9	-0.01	0
Stage 1	-24.1	-0.01	0
Stage 1	-24.3	-0.01	0.01
Stage 1	-24.5	-0.01	0.01
Stage 1	-24.7	-0.01	0.01
Stage 1	-24.9	-0.01	0.01
Stage 1	-25.1	-0.01	0.01
Stage 1	-25.3	0	0
Stage 1	-25.5	0	0
Stage 1	-25.7	0	0
Stage 1	-25.9	0	0
Stage 1	-26.1	0	0
Stage 1	-26.3	0	0
Stage 1	-26.5	0	0
Stage 1	-26.7	0	0
Stage 1	-26.9	0	0
Stage 1	-27.1	0	0
Stage 1	-27.3	0	0
Stage 1	-27.5	0	0

Tabella Spostamento SLE (Rara/Frequente/Quasi Permanente) - LEFT Stage: Stage 2

Design Assumption: SLE (Rara/Frequente/Quasi Permanente) Tipo Risultato: Spostamento	Muro: LEFT	
Stage	Z (m)	Spostamento (mm)
Stage 2	-2.5	0.12
Stage 2	-2.7	0.12
Stage 2	-2.9	0.11
Stage 2	-3.1	0.11
Stage 2	-3.3	0.1
Stage 2	-3.5	0.1
Stage 2	-3.7	0.09
Stage 2	-3.9	0.08
Stage 2	-4.1	0.08
Stage 2	-4.3	0.07
Stage 2	-4.5	0.07
Stage 2	-4.7	0.06
Stage 2	-4.9	0.06
Stage 2	-5.1	0.05
Stage 2	-5.3	0.05
Stage 2	-5.5	0.04
Stage 2	-5.7	0.04
Stage 2	-5.9	0.03
Stage 2	-6.1	0.03
Stage 2	-6.3	0.03
Stage 2	-6.5	0.02
Stage 2	-6.7	0.02
Stage 2	-6.9	0.02
Stage 2	-7.1	0.02
Stage 2	-7.3	0.02
Stage 2	-7.5	0.02
Stage 2	-7.7	0.02
Stage 2	-7.9	0.02
Stage 2	-8.1	0.02
Stage 2	-8.3	0.02
Stage 2	-8.5	0.02
Stage 2	-8.7	0.02
Stage 2	-8.9	0.02
Stage 2	-9.1	0.02
Stage 2	-9.3	0.02
Stage 2	-9.5	0.02
Stage 2	-9.7	0.02
Stage 2	-9.9	0.02
Stage 2	-10.1	0.02
Stage 2	-10.3	0.02
Stage 2	-10.5	0.02
Stage 2	-10.7	0.02
Stage 2	-10.9	0.02
Stage 2	-11.1	0.02
Stage 2	-11.3	0.02
Stage 2	-11.5	0.02
Stage 2	-11.7	0.02
Stage 2	-11.9	0.02
Stage 2	-12.1	0.02
Stage 2	-12.3	0.02
Stage 2	-12.5	0.02
Stage 2	-12.7	0.02
Stage 2	-12.9	0.02
Stage 2	-13.1	0.02
Stage 2	-13.3	0.02
Stage 2	-13.5	0.02
Stage 2	-13.7	0.02
Stage 2	-13.9	0.02
Stage 2	-14.1	0.02
Stage 2	-14.3	0.02
Stage 2	-14.5	0.02
Stage 2	-14.7	0.02
Stage 2	-14.9	0.02
Stage 2	-15.1	0.02
Stage 2	-15.3	0.02
Stage 2	-15.5	0.02
Stage 2	-15.7	0.02

Design Assumption: SLE (Rara/Frequente/Quasi Permanente) Tipo Risultato: Spostamento		Muro: LEFT
Stage	Z (m)	Spostamento (mm)
Stage 2	-15.9	0.02
Stage 2	-16.1	0.02
Stage 2	-16.3	0.02
Stage 2	-16.5	0.02
Stage 2	-16.7	0.02
Stage 2	-16.9	0.02
Stage 2	-17.1	0.02
Stage 2	-17.3	0.02
Stage 2	-17.5	0.02
Stage 2	-17.7	0.02
Stage 2	-17.9	0.02
Stage 2	-18.1	0.02
Stage 2	-18.3	0.02
Stage 2	-18.5	0.02
Stage 2	-18.7	0.02
Stage 2	-18.9	0.02
Stage 2	-19.1	0.02
Stage 2	-19.3	0.02
Stage 2	-19.5	0.02
Stage 2	-19.7	0.02
Stage 2	-19.9	0.02
Stage 2	-20.1	0.02
Stage 2	-20.3	0.02
Stage 2	-20.5	0.02
Stage 2	-20.7	0.02
Stage 2	-20.9	0.02
Stage 2	-21.1	0.02
Stage 2	-21.3	0.02
Stage 2	-21.5	0.02
Stage 2	-21.7	0.02
Stage 2	-21.9	0.02
Stage 2	-22.1	0.02
Stage 2	-22.3	0.02
Stage 2	-22.5	0.02
Stage 2	-22.7	0.02
Stage 2	-22.9	0.02
Stage 2	-23.1	0.02
Stage 2	-23.3	0.02
Stage 2	-23.5	0.02
Stage 2	-23.7	0.02
Stage 2	-23.9	0.02
Stage 2	-24.1	0.02
Stage 2	-24.3	0.02
Stage 2	-24.5	0.02
Stage 2	-24.7	0.02
Stage 2	-24.9	0.02
Stage 2	-25.1	0.02
Stage 2	-25.3	0.02
Stage 2	-25.5	0.02
Stage 2	-25.7	0.02
Stage 2	-25.9	0.02
Stage 2	-26.1	0.02
Stage 2	-26.3	0.02
Stage 2	-26.5	0.02
Stage 2	-26.7	0.02
Stage 2	-26.9	0.02
Stage 2	-27.1	0.02
Stage 2	-27.3	0.02
Stage 2	-27.5	0.02

Tabella Risultati Paratia SLE (Rara/Frequente/Quasi Permanente) - Left Wall - Stage: Stage 2

Design Assumption: SLE (Rara/Frequente/Quasi Permanente) Risultati Paratia		Muro: LEFT	
Stage	Z (m)	Momento (kN*m/m)	Taglio (kN/m)
Stage 2	-2.5	0	0
Stage 2	-2.7	0	0
Stage 2	-2.9	-0.03	-0.14
Stage 2	-3.1	-0.11	-0.42
Stage 2	-3.3	-0.28	-0.83
Stage 2	-3.5	-0.56	-1.39
Stage 2	-3.7	-0.97	-2.09
Stage 2	-3.9	-1.56	-2.93
Stage 2	-4.1	-2.35	-3.93
Stage 2	-4.3	-3.54	-5.95
Stage 2	-4.5	-5.33	-8.94
Stage 2	-4.7	-7.9	-12.9
Stage 2	-4.9	-11.46	-17.77
Stage 2	-5.1	-16.17	-23.55
Stage 2	-5.3	-20.49	-21.62
Stage 2	-5.5	-23.32	-14.12
Stage 2	-5.7	-24.89	-7.86
Stage 2	-5.9	-25.45	-2.79
Stage 2	-6.1	-25.21	1.17
Stage 2	-6.3	-24.26	4.76
Stage 2	-6.5	-22.78	7.39
Stage 2	-6.7	-20.95	9.19
Stage 2	-6.9	-18.89	10.28
Stage 2	-7.1	-16.73	10.81
Stage 2	-7.3	-14.55	10.87
Stage 2	-7.5	-12.44	10.59
Stage 2	-7.7	-10.43	10.04
Stage 2	-7.9	-8.57	9.31
Stage 2	-8.1	-6.87	8.46
Stage 2	-8.3	-5.37	7.54
Stage 2	-8.5	-4.04	6.61
Stage 2	-8.7	-2.91	5.69
Stage 2	-8.9	-1.94	4.8
Stage 2	-9.1	-1.15	3.98
Stage 2	-9.3	-0.5	3.22
Stage 2	-9.5	0	2.54
Stage 2	-9.7	0.39	1.94
Stage 2	-9.9	0.68	1.42
Stage 2	-10.1	0.87	0.98
Stage 2	-10.3	1	0.61
Stage 2	-10.5	1.06	0.31
Stage 2	-10.7	1.07	0.07
Stage 2	-10.9	1.05	-0.11
Stage 2	-11.1	1	-0.25
Stage 2	-11.3	0.93	-0.35
Stage 2	-11.5	0.85	-0.42
Stage 2	-11.7	0.76	-0.45
Stage 2	-11.9	0.66	-0.46
Stage 2	-12.1	0.57	-0.46
Stage 2	-12.3	0.48	-0.44
Stage 2	-12.5	0.4	-0.42
Stage 2	-12.7	0.32	-0.38
Stage 2	-12.9	0.26	-0.34
Stage 2	-13.1	0.19	-0.3
Stage 2	-13.3	0.14	-0.26
Stage 2	-13.5	0.1	-0.22
Stage 2	-13.7	0.06	-0.19
Stage 2	-13.9	0.03	-0.15
Stage 2	-14.1	0.01	-0.12
Stage 2	-14.3	-0.01	-0.09
Stage 2	-14.5	-0.02	-0.07
Stage 2	-14.7	-0.03	-0.04
Stage 2	-14.9	-0.04	-0.03
Stage 2	-15.1	-0.04	-0.01
Stage 2	-15.3	-0.04	0
Stage 2	-15.5	-0.04	0.01
Stage 2	-15.7	-0.03	0.02

Design Assumption: SLE (Rara/Frequente/Quasi Permanente) Risultati Paratia		Muro: LEFT	
Stage	Z (m)	Momento (kN*m/m)	Taglio (kN/m)
Stage 2	-15.9	-0.03	0.02
Stage 2	-16.1	-0.03	0.02
Stage 2	-16.3	-0.02	0.02
Stage 2	-16.5	-0.02	0.02
Stage 2	-16.7	-0.02	0.01
Stage 2	-16.9	-0.01	0.01
Stage 2	-17.1	-0.01	0
Stage 2	-17.3	-0.02	-0.02
Stage 2	-17.5	-0.02	-0.03
Stage 2	-17.7	-0.03	-0.04
Stage 2	-17.9	-0.04	-0.06
Stage 2	-18.1	-0.06	-0.08
Stage 2	-18.3	-0.08	-0.1
Stage 2	-18.5	-0.11	-0.12
Stage 2	-18.7	-0.13	-0.15
Stage 2	-18.9	-0.17	-0.17
Stage 2	-19.1	-0.21	-0.19
Stage 2	-19.3	-0.25	-0.21
Stage 2	-19.5	-0.29	-0.23
Stage 2	-19.7	-0.34	-0.24
Stage 2	-19.9	-0.39	-0.24
Stage 2	-20.1	-0.44	-0.23
Stage 2	-20.3	-0.48	-0.22
Stage 2	-20.5	-0.52	-0.18
Stage 2	-20.7	-0.54	-0.13
Stage 2	-20.9	-0.55	-0.05
Stage 2	-21.1	-0.54	0.05
Stage 2	-21.3	-0.5	0.19
Stage 2	-21.5	-0.43	0.36
Stage 2	-21.7	-0.32	0.56
Stage 2	-21.9	-0.16	0.81
Stage 2	-22.1	0.06	1.1
Stage 2	-22.3	0.23	0.84
Stage 2	-22.5	0.35	0.61
Stage 2	-22.7	0.44	0.42
Stage 2	-22.9	0.49	0.26
Stage 2	-23.1	0.51	0.13
Stage 2	-23.3	0.52	0.02
Stage 2	-23.5	0.51	-0.06
Stage 2	-23.7	0.48	-0.12
Stage 2	-23.9	0.45	-0.16
Stage 2	-24.1	0.41	-0.19
Stage 2	-24.3	0.37	-0.21
Stage 2	-24.5	0.33	-0.22
Stage 2	-24.7	0.28	-0.21
Stage 2	-24.9	0.24	-0.21
Stage 2	-25.1	0.2	-0.2
Stage 2	-25.3	0.17	-0.18
Stage 2	-25.5	0.13	-0.16
Stage 2	-25.7	0.1	-0.14
Stage 2	-25.9	0.08	-0.12
Stage 2	-26.1	0.06	-0.11
Stage 2	-26.3	0.04	-0.09
Stage 2	-26.5	0.03	-0.07
Stage 2	-26.7	0.02	-0.05
Stage 2	-26.9	0.01	-0.04
Stage 2	-27.1	0	-0.03
Stage 2	-27.3	0	-0.01
Stage 2	-27.5	0	0

Tabella Spostamento SLE (Rara/Frequente/Quasi Permanente) - LEFT Stage: Stage 3

Design Assumption: SLE (Rara/Frequente/Quasi Permanente) Tipo Risultato: Spostamento	Muro: LEFT	
Stage	Z (m)	Spostamento (mm)
Stage 3	-2.5	0
Stage 3	-2.7	0
Stage 3	-2.9	0
Stage 3	-3.1	0
Stage 3	-3.3	-0.01
Stage 3	-3.5	-0.01
Stage 3	-3.7	-0.01
Stage 3	-3.9	-0.01
Stage 3	-4.1	-0.01
Stage 3	-4.3	-0.01
Stage 3	-4.5	-0.01
Stage 3	-4.7	-0.01
Stage 3	-4.9	-0.01
Stage 3	-5.1	-0.01
Stage 3	-5.3	0
Stage 3	-5.5	0
Stage 3	-5.7	0
Stage 3	-5.9	0
Stage 3	-6.1	0.01
Stage 3	-6.3	0.01
Stage 3	-6.5	0.01
Stage 3	-6.7	0.01
Stage 3	-6.9	0.02
Stage 3	-7.1	0.02
Stage 3	-7.3	0.02
Stage 3	-7.5	0.02
Stage 3	-7.7	0.02
Stage 3	-7.9	0.02
Stage 3	-8.1	0.02
Stage 3	-8.3	0.02
Stage 3	-8.5	0.02
Stage 3	-8.7	0.02
Stage 3	-8.9	0.02
Stage 3	-9.1	0.02
Stage 3	-9.3	0.02
Stage 3	-9.5	0.02
Stage 3	-9.7	0.02
Stage 3	-9.9	0.02
Stage 3	-10.1	0.02
Stage 3	-10.3	0.02
Stage 3	-10.5	0.02
Stage 3	-10.7	0.02
Stage 3	-10.9	0.02
Stage 3	-11.1	0.02
Stage 3	-11.3	0.02
Stage 3	-11.5	0.02
Stage 3	-11.7	0.02
Stage 3	-11.9	0.02
Stage 3	-12.1	0.02
Stage 3	-12.3	0.02
Stage 3	-12.5	0.02
Stage 3	-12.7	0.02
Stage 3	-12.9	0.02
Stage 3	-13.1	0.02
Stage 3	-13.3	0.02
Stage 3	-13.5	0.02
Stage 3	-13.7	0.02
Stage 3	-13.9	0.02
Stage 3	-14.1	0.02
Stage 3	-14.3	0.02
Stage 3	-14.5	0.02
Stage 3	-14.7	0.02
Stage 3	-14.9	0.02
Stage 3	-15.1	0.02
Stage 3	-15.3	0.02
Stage 3	-15.5	0.02
Stage 3	-15.7	0.02

Design Assumption: SLE (Rara/Frequente/Quasi Permanente) Tipo Risultato: Spostamento			Muro: LEFT
Stage	Z (m)	Spostamento (mm)	
Stage 3	-15.9	0.02	
Stage 3	-16.1	0.02	
Stage 3	-16.3	0.02	
Stage 3	-16.5	0.02	
Stage 3	-16.7	0.02	
Stage 3	-16.9	0.02	
Stage 3	-17.1	0.02	
Stage 3	-17.3	0.02	
Stage 3	-17.5	0.02	
Stage 3	-17.7	0.02	
Stage 3	-17.9	0.02	
Stage 3	-18.1	0.02	
Stage 3	-18.3	0.02	
Stage 3	-18.5	0.02	
Stage 3	-18.7	0.02	
Stage 3	-18.9	0.02	
Stage 3	-19.1	0.02	
Stage 3	-19.3	0.02	
Stage 3	-19.5	0.02	
Stage 3	-19.7	0.02	
Stage 3	-19.9	0.02	
Stage 3	-20.1	0.02	
Stage 3	-20.3	0.02	
Stage 3	-20.5	0.02	
Stage 3	-20.7	0.02	
Stage 3	-20.9	0.02	
Stage 3	-21.1	0.02	
Stage 3	-21.3	0.02	
Stage 3	-21.5	0.02	
Stage 3	-21.7	0.02	
Stage 3	-21.9	0.02	
Stage 3	-22.1	0.02	
Stage 3	-22.3	0.02	
Stage 3	-22.5	0.02	
Stage 3	-22.7	0.02	
Stage 3	-22.9	0.02	
Stage 3	-23.1	0.02	
Stage 3	-23.3	0.02	
Stage 3	-23.5	0.02	
Stage 3	-23.7	0.02	
Stage 3	-23.9	0.02	
Stage 3	-24.1	0.02	
Stage 3	-24.3	0.02	
Stage 3	-24.5	0.02	
Stage 3	-24.7	0.02	
Stage 3	-24.9	0.02	
Stage 3	-25.1	0.02	
Stage 3	-25.3	0.02	
Stage 3	-25.5	0.02	
Stage 3	-25.7	0.02	
Stage 3	-25.9	0.02	
Stage 3	-26.1	0.02	
Stage 3	-26.3	0.02	
Stage 3	-26.5	0.02	
Stage 3	-26.7	0.02	
Stage 3	-26.9	0.02	
Stage 3	-27.1	0.02	
Stage 3	-27.3	0.02	
Stage 3	-27.5	0.02	

Tabella Risultati Paratia SLE (Rara/Frequente/Quasi Permanente) - Left Wall - Stage: Stage 3

Design Assumption: SLE (Rara/Frequente/Quasi Permanente) Risultati Paratia		Muro: LEFT	
Stage	Z (m)	Momento (kN*m/m)	Taglio (kN/m)
Stage 3	-2.5	0	-0.25
Stage 3	-2.7	-0.05	-0.25
Stage 3	-2.9	-1.17	-5.58
Stage 3	-3.1	-3.4	-11.18
Stage 3	-3.3	-6.81	-17.02
Stage 3	-3.5	-11.43	-23.11
Stage 3	-3.7	-17.31	-29.41
Stage 3	-3.9	-24.5	-35.92
Stage 3	-4.1	-33.02	-42.6
Stage 3	-4.3	-43.01	-49.98
Stage 3	-4.5	-54.61	-57.99
Stage 3	-4.7	-39.46	75.76
Stage 3	-4.9	-26.13	66.63
Stage 3	-5.1	-14.73	57.02
Stage 3	-5.3	-6.13	43
Stage 3	-5.5	0.7	34.17
Stage 3	-5.7	5.95	26.21
Stage 3	-5.9	9.81	19.32
Stage 3	-6.1	12.52	13.53
Stage 3	-6.3	14.11	7.99
Stage 3	-6.5	14.83	3.57
Stage 3	-6.7	14.85	0.13
Stage 3	-6.9	14.36	-2.46
Stage 3	-7.1	13.5	-4.32
Stage 3	-7.3	12.38	-5.57
Stage 3	-7.5	11.12	-6.32
Stage 3	-7.7	9.79	-6.67
Stage 3	-7.9	8.45	-6.7
Stage 3	-8.1	7.15	-6.5
Stage 3	-8.3	5.92	-6.12
Stage 3	-8.5	4.8	-5.63
Stage 3	-8.7	3.78	-5.06
Stage 3	-8.9	2.89	-4.46
Stage 3	-9.1	2.12	-3.86
Stage 3	-9.3	1.46	-3.27
Stage 3	-9.5	0.92	-2.72
Stage 3	-9.7	0.48	-2.21
Stage 3	-9.9	0.13	-1.75
Stage 3	-10.1	-0.14	-1.34
Stage 3	-10.3	-0.34	-0.99
Stage 3	-10.5	-0.47	-0.69
Stage 3	-10.7	-0.56	-0.44
Stage 3	-10.9	-0.61	-0.23
Stage 3	-11.1	-0.62	-0.07
Stage 3	-11.3	-0.61	0.05
Stage 3	-11.5	-0.58	0.14
Stage 3	-11.7	-0.54	0.21
Stage 3	-11.9	-0.49	0.25
Stage 3	-12.1	-0.44	0.27
Stage 3	-12.3	-0.38	0.28
Stage 3	-12.5	-0.33	0.27
Stage 3	-12.7	-0.27	0.26
Stage 3	-12.9	-0.23	0.24
Stage 3	-13.1	-0.18	0.22
Stage 3	-13.3	-0.14	0.2
Stage 3	-13.5	-0.11	0.17
Stage 3	-13.7	-0.08	0.15
Stage 3	-13.9	-0.05	0.13
Stage 3	-14.1	-0.03	0.11
Stage 3	-14.3	-0.01	0.09
Stage 3	-14.5	0	0.07
Stage 3	-14.7	0.01	0.05
Stage 3	-14.9	0.02	0.04
Stage 3	-15.1	0.03	0.03
Stage 3	-15.3	0.03	0.02
Stage 3	-15.5	0.03	0.02
Stage 3	-15.7	0.04	0.01

Design Assumption: SLE (Rara/Frequente/Quasi Permanente) Risultati Paratia		Muro: LEFT	
Stage	Z (m)	Momento (kN*m/m)	Taglio (kN/m)
Stage 3	-15.9	0.04	0
Stage 3	-16.1	0.04	0
Stage 3	-16.3	0.03	-0.01
Stage 3	-16.5	0.03	-0.01
Stage 3	-16.7	0.03	-0.02
Stage 3	-16.9	0.02	-0.03
Stage 3	-17.1	0.02	-0.03
Stage 3	-17.3	0.01	-0.04
Stage 3	-17.5	0	-0.05
Stage 3	-17.7	-0.02	-0.07
Stage 3	-17.9	-0.03	-0.08
Stage 3	-18.1	-0.05	-0.1
Stage 3	-18.3	-0.08	-0.12
Stage 3	-18.5	-0.1	-0.13
Stage 3	-18.7	-0.13	-0.16
Stage 3	-18.9	-0.17	-0.18
Stage 3	-19.1	-0.21	-0.2
Stage 3	-19.3	-0.25	-0.21
Stage 3	-19.5	-0.3	-0.23
Stage 3	-19.7	-0.34	-0.24
Stage 3	-19.9	-0.39	-0.24
Stage 3	-20.1	-0.44	-0.23
Stage 3	-20.3	-0.48	-0.21
Stage 3	-20.5	-0.52	-0.18
Stage 3	-20.7	-0.54	-0.13
Stage 3	-20.9	-0.55	-0.05
Stage 3	-21.1	-0.54	0.05
Stage 3	-21.3	-0.5	0.19
Stage 3	-21.5	-0.43	0.36
Stage 3	-21.7	-0.32	0.56
Stage 3	-21.9	-0.16	0.81
Stage 3	-22.1	0.06	1.1
Stage 3	-22.3	0.23	0.84
Stage 3	-22.5	0.35	0.61
Stage 3	-22.7	0.43	0.42
Stage 3	-22.9	0.49	0.26
Stage 3	-23.1	0.51	0.13
Stage 3	-23.3	0.52	0.02
Stage 3	-23.5	0.51	-0.06
Stage 3	-23.7	0.48	-0.12
Stage 3	-23.9	0.45	-0.16
Stage 3	-24.1	0.41	-0.19
Stage 3	-24.3	0.37	-0.21
Stage 3	-24.5	0.33	-0.22
Stage 3	-24.7	0.28	-0.21
Stage 3	-24.9	0.24	-0.21
Stage 3	-25.1	0.2	-0.2
Stage 3	-25.3	0.17	-0.18
Stage 3	-25.5	0.13	-0.16
Stage 3	-25.7	0.1	-0.14
Stage 3	-25.9	0.08	-0.12
Stage 3	-26.1	0.06	-0.11
Stage 3	-26.3	0.04	-0.09
Stage 3	-26.5	0.03	-0.07
Stage 3	-26.7	0.02	-0.05
Stage 3	-26.9	0.01	-0.04
Stage 3	-27.1	0	-0.03
Stage 3	-27.3	0	-0.01
Stage 3	-27.5	0	0

Tabella Spostamento SLE (Rara/Frequente/Quasi Permanente) - LEFT Stage: Stage 4

Design Assumption: SLE (Rara/Frequente/Quasi Permanente) Tipo Risultato: Spostamento	Muro: LEFT	
Stage	Z (m)	Spostamento (mm)
Stage 4	-2.5	-0.17
Stage 4	-2.7	-0.15
Stage 4	-2.9	-0.14
Stage 4	-3.1	-0.12
Stage 4	-3.3	-0.1
Stage 4	-3.5	-0.08
Stage 4	-3.7	-0.06
Stage 4	-3.9	-0.04
Stage 4	-4.1	-0.03
Stage 4	-4.3	-0.01
Stage 4	-4.5	0.02
Stage 4	-4.7	0.04
Stage 4	-4.9	0.06
Stage 4	-5.1	0.08
Stage 4	-5.3	0.11
Stage 4	-5.5	0.13
Stage 4	-5.7	0.15
Stage 4	-5.9	0.18
Stage 4	-6.1	0.2
Stage 4	-6.3	0.23
Stage 4	-6.5	0.25
Stage 4	-6.7	0.28
Stage 4	-6.9	0.3
Stage 4	-7.1	0.32
Stage 4	-7.3	0.35
Stage 4	-7.5	0.37
Stage 4	-7.7	0.39
Stage 4	-7.9	0.42
Stage 4	-8.1	0.44
Stage 4	-8.3	0.46
Stage 4	-8.5	0.48
Stage 4	-8.7	0.51
Stage 4	-8.9	0.53
Stage 4	-9.1	0.55
Stage 4	-9.3	0.57
Stage 4	-9.5	0.59
Stage 4	-9.7	0.61
Stage 4	-9.9	0.63
Stage 4	-10.1	0.65
Stage 4	-10.3	0.67
Stage 4	-10.5	0.69
Stage 4	-10.7	0.71
Stage 4	-10.9	0.73
Stage 4	-11.1	0.75
Stage 4	-11.3	0.76
Stage 4	-11.5	0.78
Stage 4	-11.7	0.8
Stage 4	-11.9	0.81
Stage 4	-12.1	0.83
Stage 4	-12.3	0.85
Stage 4	-12.5	0.86
Stage 4	-12.7	0.88
Stage 4	-12.9	0.89
Stage 4	-13.1	0.9
Stage 4	-13.3	0.92
Stage 4	-13.5	0.93
Stage 4	-13.7	0.94
Stage 4	-13.9	0.95
Stage 4	-14.1	0.96
Stage 4	-14.3	0.97
Stage 4	-14.5	0.98
Stage 4	-14.7	0.99
Stage 4	-14.9	1
Stage 4	-15.1	1.01
Stage 4	-15.3	1.01
Stage 4	-15.5	1.02
Stage 4	-15.7	1.02

Design Assumption: SLE (Rara/Frequente/Quasi Permanente) Tipo Risultato: Spostamento			Muro: LEFT
Stage	Z (m)	Spostamento (mm)	
Stage 4	-15.9	1.03	
Stage 4	-16.1	1.03	
Stage 4	-16.3	1.04	
Stage 4	-16.5	1.04	
Stage 4	-16.7	1.04	
Stage 4	-16.9	1.04	
Stage 4	-17.1	1.04	
Stage 4	-17.3	1.04	
Stage 4	-17.5	1.04	
Stage 4	-17.7	1.04	
Stage 4	-17.9	1.04	
Stage 4	-18.1	1.03	
Stage 4	-18.3	1.03	
Stage 4	-18.5	1.02	
Stage 4	-18.7	1.02	
Stage 4	-18.9	1.01	
Stage 4	-19.1	1	
Stage 4	-19.3	0.99	
Stage 4	-19.5	0.98	
Stage 4	-19.7	0.97	
Stage 4	-19.9	0.96	
Stage 4	-20.1	0.95	
Stage 4	-20.3	0.93	
Stage 4	-20.5	0.92	
Stage 4	-20.7	0.9	
Stage 4	-20.9	0.88	
Stage 4	-21.1	0.87	
Stage 4	-21.3	0.85	
Stage 4	-21.5	0.83	
Stage 4	-21.7	0.81	
Stage 4	-21.9	0.79	
Stage 4	-22.1	0.77	
Stage 4	-22.3	0.75	
Stage 4	-22.5	0.73	
Stage 4	-22.7	0.71	
Stage 4	-22.9	0.69	
Stage 4	-23.1	0.67	
Stage 4	-23.3	0.65	
Stage 4	-23.5	0.64	
Stage 4	-23.7	0.62	
Stage 4	-23.9	0.61	
Stage 4	-24.1	0.59	
Stage 4	-24.3	0.58	
Stage 4	-24.5	0.57	
Stage 4	-24.7	0.55	
Stage 4	-24.9	0.54	
Stage 4	-25.1	0.53	
Stage 4	-25.3	0.52	
Stage 4	-25.5	0.51	
Stage 4	-25.7	0.51	
Stage 4	-25.9	0.5	
Stage 4	-26.1	0.49	
Stage 4	-26.3	0.48	
Stage 4	-26.5	0.48	
Stage 4	-26.7	0.47	
Stage 4	-26.9	0.46	
Stage 4	-27.1	0.46	
Stage 4	-27.3	0.45	
Stage 4	-27.5	0.44	

Tabella Risultati Paratia SLE (Rara/Frequente/Quasi Permanente) - Left Wall - Stage: Stage 4

Design Assumption: SLE (Rara/Frequente/Quasi Permanente) Risultati Paratia		Muro: LEFT	
Stage	Z (m)	Momento (kN*m/m)	Taglio (kN/m)
Stage 4	-2.5	0	-0.25
Stage 4	-2.7	-0.05	-0.25
Stage 4	-2.9	-1.41	-6.79
Stage 4	-3.1	-4.09	-13.43
Stage 4	-3.3	-8.13	-20.17
Stage 4	-3.5	-13.52	-26.98
Stage 4	-3.7	-20.3	-33.87
Stage 4	-3.9	-28.45	-40.79
Stage 4	-4.1	-38	-47.74
Stage 4	-4.3	-49.05	-55.22
Stage 4	-4.5	-61.67	-63.14
Stage 4	-4.7	-47.47	71.01
Stage 4	-4.9	-34.98	62.48
Stage 4	-5.1	-24.23	53.72
Stage 4	-5.3	-15.45	43.92
Stage 4	-5.5	-8.41	35.17
Stage 4	-5.7	-3.02	26.98
Stage 4	-5.9	0.91	19.65
Stage 4	-6.1	3.57	13.29
Stage 4	-6.3	5.37	9.01
Stage 4	-6.5	6.57	6.01
Stage 4	-6.7	7.42	4.25
Stage 4	-6.9	8.15	3.64
Stage 4	-7.1	8.88	3.64
Stage 4	-7.3	9.6	3.64
Stage 4	-7.5	10.33	3.64
Stage 4	-7.7	11.06	3.64
Stage 4	-7.9	11.79	3.64
Stage 4	-8.1	12.51	3.64
Stage 4	-8.3	13.24	3.64
Stage 4	-8.5	13.97	3.64
Stage 4	-8.7	14.69	3.64
Stage 4	-8.9	15.42	3.64
Stage 4	-9.1	16.15	3.64
Stage 4	-9.3	16.88	3.64
Stage 4	-9.5	17.6	3.64
Stage 4	-9.7	18.33	3.64
Stage 4	-9.9	19.06	3.64
Stage 4	-10.1	19.78	3.64
Stage 4	-10.3	20.51	3.64
Stage 4	-10.5	21.24	3.64
Stage 4	-10.7	21.96	3.64
Stage 4	-10.9	22.69	3.64
Stage 4	-11.1	23.42	3.64
Stage 4	-11.3	24.15	3.64
Stage 4	-11.5	24.87	3.64
Stage 4	-11.7	25.6	3.64
Stage 4	-11.9	26.33	3.64
Stage 4	-12.1	27.05	3.64
Stage 4	-12.3	27.78	3.64
Stage 4	-12.5	28.51	3.64
Stage 4	-12.7	29.24	3.64
Stage 4	-12.9	29.96	3.64
Stage 4	-13.1	30.69	3.64
Stage 4	-13.3	31.42	3.64
Stage 4	-13.5	32.14	3.64
Stage 4	-13.7	32.87	3.64
Stage 4	-13.9	33.6	3.64
Stage 4	-14.1	34.33	3.64
Stage 4	-14.3	35.05	3.64
Stage 4	-14.5	35.78	3.64
Stage 4	-14.7	36.51	3.64
Stage 4	-14.9	37.23	3.64
Stage 4	-15.1	37.96	3.64
Stage 4	-15.3	38.69	3.64
Stage 4	-15.5	39.42	3.64
Stage 4	-15.7	40.14	3.64

Design Assumption: SLE (Rara/Frequente/Quasi Permanente) Risultati Paratia		Muro: LEFT	
Stage	Z (m)	Momento (kN*m/m)	Taglio (kN/m)
Stage 4	-15.9	40.87	3.64
Stage 4	-16.1	41.6	3.64
Stage 4	-16.3	42.32	3.64
Stage 4	-16.5	43.05	3.64
Stage 4	-16.7	43.78	3.64
Stage 4	-16.9	44.51	3.64
Stage 4	-17.1	45.23	3.64
Stage 4	-17.3	45.96	3.64
Stage 4	-17.5	46.69	3.64
Stage 4	-17.7	47.41	3.64
Stage 4	-17.9	48.14	3.64
Stage 4	-18.1	48.87	3.64
Stage 4	-18.3	49.6	3.64
Stage 4	-18.5	50.32	3.64
Stage 4	-18.7	51.05	3.64
Stage 4	-18.9	51.78	3.64
Stage 4	-19.1	52.5	3.64
Stage 4	-19.3	53.23	3.64
Stage 4	-19.5	53.96	3.64
Stage 4	-19.7	54.68	3.64
Stage 4	-19.9	55.41	3.64
Stage 4	-20.1	55.91	2.51
Stage 4	-20.3	55.92	0.03
Stage 4	-20.5	55.15	-3.86
Stage 4	-20.7	53.31	-9.2
Stage 4	-20.9	50.1	-16.06
Stage 4	-21.1	45.2	-24.49
Stage 4	-21.3	38.64	-32.81
Stage 4	-21.5	30.76	-39.35
Stage 4	-21.7	21.93	-44.15
Stage 4	-21.9	12.49	-47.24
Stage 4	-22.1	2.76	-48.63
Stage 4	-22.3	-7.61	-51.86
Stage 4	-22.5	-18.02	-52.02
Stage 4	-22.7	-27.84	-49.11
Stage 4	-22.9	-36.46	-43.11
Stage 4	-23.1	-43.26	-34
Stage 4	-23.3	-48.13	-24.33
Stage 4	-23.5	-51.28	-15.76
Stage 4	-23.7	-52.92	-8.22
Stage 4	-23.9	-53.26	-1.67
Stage 4	-24.1	-52.47	3.93
Stage 4	-24.3	-50.74	8.66
Stage 4	-24.5	-48.23	12.57
Stage 4	-24.7	-45.09	15.71
Stage 4	-24.9	-41.46	18.13
Stage 4	-25.1	-37.48	19.9
Stage 4	-25.3	-33.26	21.06
Stage 4	-25.5	-28.93	21.66
Stage 4	-25.7	-24.59	21.72
Stage 4	-25.9	-20.33	21.29
Stage 4	-26.1	-16.26	20.38
Stage 4	-26.3	-12.45	19.03
Stage 4	-26.5	-9	17.25
Stage 4	-26.7	-5.99	15.05
Stage 4	-26.9	-3.5	12.43
Stage 4	-27.1	-1.62	9.41
Stage 4	-27.3	-0.43	5.98
Stage 4	-27.5	0	2.13

Tabella Spostamento SLE (Rara/Frequente/Quasi Permanente) - LEFT Stage: Stage A

Design Assumption: SLE (Rara/Frequente/Quasi Permanente) Tipo Risultato: Spostamento	Muro: LEFT	
Stage	Z (m)	Spostamento (mm)
Stage A	-2.5	-0.18
Stage A	-2.7	-0.16
Stage A	-2.9	-0.15
Stage A	-3.1	-0.13
Stage A	-3.3	-0.11
Stage A	-3.5	-0.09
Stage A	-3.7	-0.07
Stage A	-3.9	-0.05
Stage A	-4.1	-0.03
Stage A	-4.3	-0.01
Stage A	-4.5	0.01
Stage A	-4.7	0.03
Stage A	-4.9	0.06
Stage A	-5.1	0.08
Stage A	-5.3	0.11
Stage A	-5.5	0.13
Stage A	-5.7	0.16
Stage A	-5.9	0.18
Stage A	-6.1	0.21
Stage A	-6.3	0.23
Stage A	-6.5	0.26
Stage A	-6.7	0.28
Stage A	-6.9	0.31
Stage A	-7.1	0.33
Stage A	-7.3	0.36
Stage A	-7.5	0.38
Stage A	-7.7	0.41
Stage A	-7.9	0.43
Stage A	-8.1	0.45
Stage A	-8.3	0.48
Stage A	-8.5	0.5
Stage A	-8.7	0.52
Stage A	-8.9	0.55
Stage A	-9.1	0.57
Stage A	-9.3	0.59
Stage A	-9.5	0.61
Stage A	-9.7	0.63
Stage A	-9.9	0.66
Stage A	-10.1	0.68
Stage A	-10.3	0.7
Stage A	-10.5	0.72
Stage A	-10.7	0.74
Stage A	-10.9	0.76
Stage A	-11.1	0.78
Stage A	-11.3	0.79
Stage A	-11.5	0.81
Stage A	-11.7	0.83
Stage A	-11.9	0.85
Stage A	-12.1	0.86
Stage A	-12.3	0.88
Stage A	-12.5	0.89
Stage A	-12.7	0.91
Stage A	-12.9	0.92
Stage A	-13.1	0.94
Stage A	-13.3	0.95
Stage A	-13.5	0.96
Stage A	-13.7	0.97
Stage A	-13.9	0.98
Stage A	-14.1	0.99
Stage A	-14.3	1
Stage A	-14.5	1.01
Stage A	-14.7	1.02
Stage A	-14.9	1.03
Stage A	-15.1	1.03
Stage A	-15.3	1.04
Stage A	-15.5	1.04
Stage A	-15.7	1.05

Design Assumption: SLE (Rara/Frequente/Quasi Permanente) Tipo Risultato: Spostamento		Muro: LEFT
Stage	Z (m)	Spostamento (mm)
Stage A	-15.9	1.05
Stage A	-16.1	1.05
Stage A	-16.3	1.06
Stage A	-16.5	1.06
Stage A	-16.7	1.06
Stage A	-16.9	1.05
Stage A	-17.1	1.05
Stage A	-17.3	1.05
Stage A	-17.5	1.05
Stage A	-17.7	1.04
Stage A	-17.9	1.03
Stage A	-18.1	1.03
Stage A	-18.3	1.02
Stage A	-18.5	1.01
Stage A	-18.7	1
Stage A	-18.9	0.99
Stage A	-19.1	0.98
Stage A	-19.3	0.96
Stage A	-19.5	0.95
Stage A	-19.7	0.93
Stage A	-19.9	0.92
Stage A	-20.1	0.9
Stage A	-20.3	0.88
Stage A	-20.5	0.86
Stage A	-20.7	0.84
Stage A	-20.9	0.82
Stage A	-21.1	0.8
Stage A	-21.3	0.78
Stage A	-21.5	0.75
Stage A	-21.7	0.73
Stage A	-21.9	0.71
Stage A	-22.1	0.68
Stage A	-22.3	0.66
Stage A	-22.5	0.64
Stage A	-22.7	0.62
Stage A	-22.9	0.6
Stage A	-23.1	0.58
Stage A	-23.3	0.56
Stage A	-23.5	0.54
Stage A	-23.7	0.53
Stage A	-23.9	0.51
Stage A	-24.1	0.5
Stage A	-24.3	0.49
Stage A	-24.5	0.47
Stage A	-24.7	0.46
Stage A	-24.9	0.45
Stage A	-25.1	0.44
Stage A	-25.3	0.44
Stage A	-25.5	0.43
Stage A	-25.7	0.42
Stage A	-25.9	0.42
Stage A	-26.1	0.41
Stage A	-26.3	0.4
Stage A	-26.5	0.4
Stage A	-26.7	0.39
Stage A	-26.9	0.39
Stage A	-27.1	0.38
Stage A	-27.3	0.38
Stage A	-27.5	0.37

Tabella Risultati Paratia SLE (Rara/Frequente/Quasi Permanente) - Left Wall - Stage: Stage A

Design Assumption: SLE (Rara/Frequente/Quasi Permanente) Risultati Paratia		Muro: LEFT	
Stage	Z (m)	Momento (kN*m/m)	Taglio (kN/m)
Stage A	-2.5	0	-0.25
Stage A	-2.7	-0.05	-0.25
Stage A	-2.9	-1.42	-6.87
Stage A	-3.1	-4.14	-13.58
Stage A	-3.3	-8.22	-20.38
Stage A	-3.5	-13.67	-27.26
Stage A	-3.7	-20.51	-34.2
Stage A	-3.9	-28.74	-41.17
Stage A	-4.1	-38.37	-48.16
Stage A	-4.3	-49.51	-55.67
Stage A	-4.5	-62.24	-63.65
Stage A	-4.7	-48.15	70.46
Stage A	-4.9	-35.76	61.91
Stage A	-5.1	-25.14	53.13
Stage A	-5.3	-16.48	43.3
Stage A	-5.5	-9.56	34.58
Stage A	-5.7	-4.27	26.44
Stage A	-5.9	-0.43	19.22
Stage A	-6.1	2.17	13.01
Stage A	-6.3	3.96	8.96
Stage A	-6.5	5.21	6.25
Stage A	-6.7	6.18	4.82
Stage A	-6.9	7.1	4.61
Stage A	-7.1	8.02	4.61
Stage A	-7.3	8.95	4.61
Stage A	-7.5	9.87	4.61
Stage A	-7.7	10.79	4.61
Stage A	-7.9	11.71	4.61
Stage A	-8.1	12.64	4.61
Stage A	-8.3	13.56	4.61
Stage A	-8.5	14.48	4.61
Stage A	-8.7	15.41	4.61
Stage A	-8.9	16.33	4.61
Stage A	-9.1	17.25	4.61
Stage A	-9.3	18.17	4.61
Stage A	-9.5	19.1	4.61
Stage A	-9.7	20.02	4.61
Stage A	-9.9	20.94	4.61
Stage A	-10.1	21.86	4.61
Stage A	-10.3	22.79	4.61
Stage A	-10.5	23.71	4.61
Stage A	-10.7	24.63	4.61
Stage A	-10.9	25.55	4.61
Stage A	-11.1	26.48	4.61
Stage A	-11.3	27.4	4.61
Stage A	-11.5	28.32	4.61
Stage A	-11.7	29.25	4.61
Stage A	-11.9	30.17	4.61
Stage A	-12.1	31.09	4.61
Stage A	-12.3	32.01	4.61
Stage A	-12.5	32.94	4.61
Stage A	-12.7	33.86	4.61
Stage A	-12.9	34.78	4.61
Stage A	-13.1	35.7	4.61
Stage A	-13.3	36.63	4.61
Stage A	-13.5	37.55	4.61
Stage A	-13.7	38.47	4.61
Stage A	-13.9	39.4	4.61
Stage A	-14.1	40.32	4.61
Stage A	-14.3	41.24	4.61
Stage A	-14.5	42.16	4.61
Stage A	-14.7	43.09	4.61
Stage A	-14.9	44.01	4.61
Stage A	-15.1	44.93	4.61
Stage A	-15.3	45.85	4.61
Stage A	-15.5	46.78	4.61
Stage A	-15.7	47.7	4.61

Design Assumption: SLE (Rara/Frequente/Quasi Permanente) Risultati Paratia		Muro: LEFT	
Stage	Z (m)	Momento (kN*m/m)	Taglio (kN/m)
Stage A	-15.9	48.62	4.61
Stage A	-16.1	49.54	4.61
Stage A	-16.3	50.47	4.61
Stage A	-16.5	51.39	4.61
Stage A	-16.7	52.31	4.61
Stage A	-16.9	53.24	4.61
Stage A	-17.1	54.16	4.61
Stage A	-17.3	55.08	4.61
Stage A	-17.5	56	4.61
Stage A	-17.7	56.93	4.61
Stage A	-17.9	57.85	4.61
Stage A	-18.1	58.75	4.52
Stage A	-18.3	59.6	4.24
Stage A	-18.5	60.35	3.77
Stage A	-18.7	60.97	3.09
Stage A	-18.9	61.41	2.2
Stage A	-19.1	61.63	1.08
Stage A	-19.3	61.57	-0.27
Stage A	-19.5	61.2	-1.86
Stage A	-19.7	60.46	-3.7
Stage A	-19.9	59.34	-5.61
Stage A	-20.1	57.59	-8.73
Stage A	-20.3	54.94	-13.27
Stage A	-20.5	51.08	-19.27
Stage A	-20.7	45.78	-26.52
Stage A	-20.9	38.77	-35.05
Stage A	-21.1	29.79	-44.92
Stage A	-21.3	20.51	-46.41
Stage A	-21.5	10.87	-48.17
Stage A	-21.7	0.97	-49.52
Stage A	-21.9	-9.07	-50.17
Stage A	-22.1	-19.06	-49.97
Stage A	-22.3	-29.2	-50.7
Stage A	-22.5	-38.98	-48.9
Stage A	-22.7	-47.87	-44.47
Stage A	-22.9	-55.34	-37.35
Stage A	-23.1	-60.84	-27.45
Stage A	-23.3	-64.29	-17.28
Stage A	-23.5	-65.98	-8.43
Stage A	-23.7	-66.14	-0.82
Stage A	-23.9	-65.02	5.64
Stage A	-24.1	-62.81	11.03
Stage A	-24.3	-59.72	15.44
Stage A	-24.5	-55.93	18.94
Stage A	-24.7	-51.61	21.62
Stage A	-24.9	-46.9	23.55
Stage A	-25.1	-41.94	24.79
Stage A	-25.3	-36.86	25.41
Stage A	-25.5	-31.76	25.47
Stage A	-25.7	-26.76	25.01
Stage A	-25.9	-21.95	24.06
Stage A	-26.1	-17.42	22.68
Stage A	-26.3	-13.24	20.87
Stage A	-26.5	-9.5	18.68
Stage A	-26.7	-6.28	16.11
Stage A	-26.9	-3.65	13.16
Stage A	-27.1	-1.68	9.86
Stage A	-27.3	-0.44	6.2
Stage A	-27.5	0	2.19

Tabella Spostamento SLE (Rara/Frequente/Quasi Permanente) - LEFT Stage: Stage 5

Design Assumption: SLE (Rara/Frequente/Quasi Permanente) Tipo Risultato: Spostamento			Muro: LEFT
Stage	Z (m)	Spostamento (mm)	
Stage 5	-2.5	-0.18	
Stage 5	-2.7	-0.16	
Stage 5	-2.9	-0.15	
Stage 5	-3.1	-0.13	
Stage 5	-3.3	-0.11	
Stage 5	-3.5	-0.09	
Stage 5	-3.7	-0.07	
Stage 5	-3.9	-0.05	
Stage 5	-4.1	-0.03	
Stage 5	-4.3	-0.01	
Stage 5	-4.5	0.01	
Stage 5	-4.7	0.03	
Stage 5	-4.9	0.06	
Stage 5	-5.1	0.08	
Stage 5	-5.3	0.11	
Stage 5	-5.5	0.13	
Stage 5	-5.7	0.16	
Stage 5	-5.9	0.18	
Stage 5	-6.1	0.21	
Stage 5	-6.3	0.23	
Stage 5	-6.5	0.26	
Stage 5	-6.7	0.28	
Stage 5	-6.9	0.31	
Stage 5	-7.1	0.33	
Stage 5	-7.3	0.36	
Stage 5	-7.5	0.38	
Stage 5	-7.7	0.41	
Stage 5	-7.9	0.43	
Stage 5	-8.1	0.45	
Stage 5	-8.3	0.48	
Stage 5	-8.5	0.5	
Stage 5	-8.7	0.52	
Stage 5	-8.9	0.55	
Stage 5	-9.1	0.57	
Stage 5	-9.3	0.59	
Stage 5	-9.5	0.61	
Stage 5	-9.7	0.63	
Stage 5	-9.9	0.66	
Stage 5	-10.1	0.68	
Stage 5	-10.3	0.7	
Stage 5	-10.5	0.72	
Stage 5	-10.7	0.74	
Stage 5	-10.9	0.76	
Stage 5	-11.1	0.78	
Stage 5	-11.3	0.79	
Stage 5	-11.5	0.81	
Stage 5	-11.7	0.83	
Stage 5	-11.9	0.85	
Stage 5	-12.1	0.86	
Stage 5	-12.3	0.88	
Stage 5	-12.5	0.89	
Stage 5	-12.7	0.91	
Stage 5	-12.9	0.92	
Stage 5	-13.1	0.94	
Stage 5	-13.3	0.95	
Stage 5	-13.5	0.96	
Stage 5	-13.7	0.97	
Stage 5	-13.9	0.98	
Stage 5	-14.1	0.99	
Stage 5	-14.3	1	
Stage 5	-14.5	1.01	
Stage 5	-14.7	1.02	
Stage 5	-14.9	1.03	
Stage 5	-15.1	1.03	
Stage 5	-15.3	1.04	
Stage 5	-15.5	1.04	
Stage 5	-15.7	1.05	

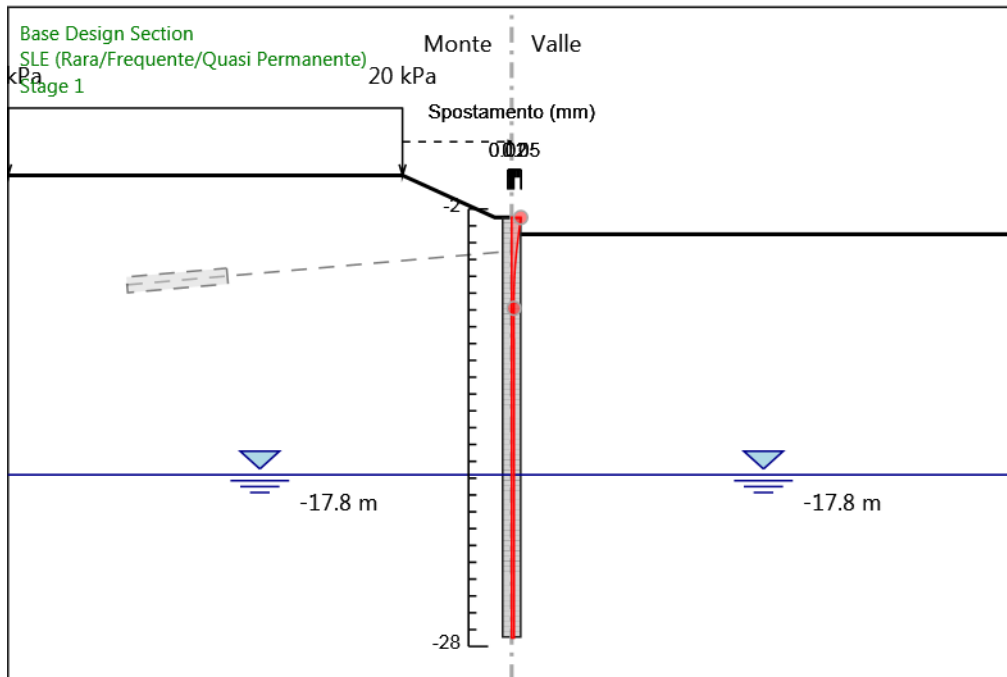
Design Assumption: SLE (Rara/Frequente/Quasi Permanente) Tipo Risultato: Spostamento			Muro: LEFT
Stage	Z (m)	Spostamento (mm)	
Stage 5	-15.9	1.05	
Stage 5	-16.1	1.05	
Stage 5	-16.3	1.06	
Stage 5	-16.5	1.06	
Stage 5	-16.7	1.06	
Stage 5	-16.9	1.05	
Stage 5	-17.1	1.05	
Stage 5	-17.3	1.05	
Stage 5	-17.5	1.05	
Stage 5	-17.7	1.04	
Stage 5	-17.9	1.03	
Stage 5	-18.1	1.03	
Stage 5	-18.3	1.02	
Stage 5	-18.5	1.01	
Stage 5	-18.7	1	
Stage 5	-18.9	0.99	
Stage 5	-19.1	0.98	
Stage 5	-19.3	0.96	
Stage 5	-19.5	0.95	
Stage 5	-19.7	0.93	
Stage 5	-19.9	0.92	
Stage 5	-20.1	0.9	
Stage 5	-20.3	0.88	
Stage 5	-20.5	0.86	
Stage 5	-20.7	0.84	
Stage 5	-20.9	0.82	
Stage 5	-21.1	0.8	
Stage 5	-21.3	0.78	
Stage 5	-21.5	0.75	
Stage 5	-21.7	0.73	
Stage 5	-21.9	0.71	
Stage 5	-22.1	0.68	
Stage 5	-22.3	0.66	
Stage 5	-22.5	0.64	
Stage 5	-22.7	0.62	
Stage 5	-22.9	0.6	
Stage 5	-23.1	0.58	
Stage 5	-23.3	0.56	
Stage 5	-23.5	0.54	
Stage 5	-23.7	0.53	
Stage 5	-23.9	0.51	
Stage 5	-24.1	0.5	
Stage 5	-24.3	0.49	
Stage 5	-24.5	0.47	
Stage 5	-24.7	0.46	
Stage 5	-24.9	0.45	
Stage 5	-25.1	0.44	
Stage 5	-25.3	0.44	
Stage 5	-25.5	0.43	
Stage 5	-25.7	0.42	
Stage 5	-25.9	0.42	
Stage 5	-26.1	0.41	
Stage 5	-26.3	0.4	
Stage 5	-26.5	0.4	
Stage 5	-26.7	0.39	
Stage 5	-26.9	0.39	
Stage 5	-27.1	0.38	
Stage 5	-27.3	0.38	
Stage 5	-27.5	0.37	

Tabella Risultati Paratia SLE (Rara/Frequente/Quasi Permanente) - Left Wall - Stage: Stage 5

Design Assumption: SLE (Rara/Frequente/Quasi Permanente) Risultati Paratia		Muro: LEFT	
Stage	Z (m)	Momento (kN*m/m)	Taglio (kN/m)
Stage 5	-2.5	0	-0.25
Stage 5	-2.7	-0.05	-0.25
Stage 5	-2.9	-1.42	-6.87
Stage 5	-3.1	-4.14	-13.58
Stage 5	-3.3	-8.22	-20.38
Stage 5	-3.5	-13.67	-27.26
Stage 5	-3.7	-20.51	-34.2
Stage 5	-3.9	-28.74	-41.17
Stage 5	-4.1	-38.37	-48.16
Stage 5	-4.3	-49.51	-55.67
Stage 5	-4.5	-62.24	-63.65
Stage 5	-4.7	-48.15	70.46
Stage 5	-4.9	-35.76	61.91
Stage 5	-5.1	-25.14	53.13
Stage 5	-5.3	-16.48	43.3
Stage 5	-5.5	-9.56	34.58
Stage 5	-5.7	-4.27	26.44
Stage 5	-5.9	-0.43	19.22
Stage 5	-6.1	2.17	13.01
Stage 5	-6.3	3.96	8.96
Stage 5	-6.5	5.21	6.25
Stage 5	-6.7	6.18	4.82
Stage 5	-6.9	7.1	4.61
Stage 5	-7.1	8.02	4.61
Stage 5	-7.3	8.95	4.61
Stage 5	-7.5	9.87	4.61
Stage 5	-7.7	10.79	4.61
Stage 5	-7.9	11.71	4.61
Stage 5	-8.1	12.64	4.61
Stage 5	-8.3	13.56	4.61
Stage 5	-8.5	14.48	4.61
Stage 5	-8.7	15.41	4.61
Stage 5	-8.9	16.33	4.61
Stage 5	-9.1	17.25	4.61
Stage 5	-9.3	18.17	4.61
Stage 5	-9.5	19.1	4.61
Stage 5	-9.7	20.02	4.61
Stage 5	-9.9	20.94	4.61
Stage 5	-10.1	21.86	4.61
Stage 5	-10.3	22.79	4.61
Stage 5	-10.5	23.71	4.61
Stage 5	-10.7	24.63	4.61
Stage 5	-10.9	25.56	4.61
Stage 5	-11.1	26.48	4.61
Stage 5	-11.3	27.4	4.61
Stage 5	-11.5	28.32	4.61
Stage 5	-11.7	29.25	4.61
Stage 5	-11.9	30.17	4.61
Stage 5	-12.1	31.09	4.61
Stage 5	-12.3	32.01	4.61
Stage 5	-12.5	32.94	4.61
Stage 5	-12.7	33.86	4.61
Stage 5	-12.9	34.78	4.61
Stage 5	-13.1	35.71	4.61
Stage 5	-13.3	36.63	4.61
Stage 5	-13.5	37.55	4.61
Stage 5	-13.7	38.47	4.61
Stage 5	-13.9	39.4	4.61
Stage 5	-14.1	40.32	4.61
Stage 5	-14.3	41.24	4.61
Stage 5	-14.5	42.16	4.61
Stage 5	-14.7	43.09	4.61
Stage 5	-14.9	44.01	4.61
Stage 5	-15.1	44.93	4.61
Stage 5	-15.3	45.86	4.61
Stage 5	-15.5	46.78	4.61
Stage 5	-15.7	47.7	4.61

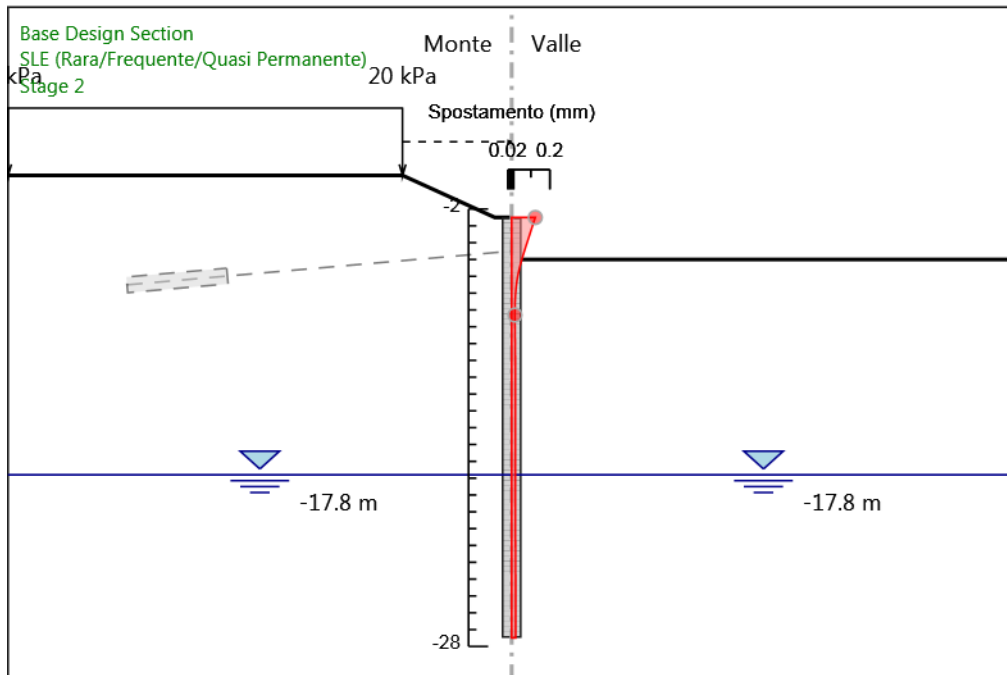
Design Assumption: SLE (Rara/Frequente/Quasi Permanente) Risultati Paratia		Muro: LEFT	
Stage	Z (m)	Momento (kN*m/m)	Taglio (kN/m)
Stage 5	-15.9	48.62	4.61
Stage 5	-16.1	49.55	4.61
Stage 5	-16.3	50.47	4.61
Stage 5	-16.5	51.39	4.61
Stage 5	-16.7	52.31	4.61
Stage 5	-16.9	53.24	4.61
Stage 5	-17.1	54.16	4.61
Stage 5	-17.3	55.08	4.61
Stage 5	-17.5	56	4.61
Stage 5	-17.7	56.93	4.61
Stage 5	-17.9	57.85	4.61
Stage 5	-18.1	58.75	4.52
Stage 5	-18.3	59.6	4.24
Stage 5	-18.5	60.35	3.76
Stage 5	-18.7	60.97	3.08
Stage 5	-18.9	61.41	2.19
Stage 5	-19.1	61.62	1.08
Stage 5	-19.3	61.57	-0.27
Stage 5	-19.5	61.19	-1.86
Stage 5	-19.7	60.45	-3.71
Stage 5	-19.9	59.33	-5.61
Stage 5	-20.1	57.59	-8.72
Stage 5	-20.3	54.93	-13.26
Stage 5	-20.5	51.08	-19.26
Stage 5	-20.7	45.78	-26.51
Stage 5	-20.9	38.77	-35.05
Stage 5	-21.1	29.79	-44.91
Stage 5	-21.3	20.51	-46.4
Stage 5	-21.5	10.87	-48.17
Stage 5	-21.7	0.97	-49.51
Stage 5	-21.9	-9.06	-50.17
Stage 5	-22.1	-19.06	-49.96
Stage 5	-22.3	-29.2	-50.7
Stage 5	-22.5	-38.98	-48.9
Stage 5	-22.7	-47.87	-44.47
Stage 5	-22.9	-55.34	-37.35
Stage 5	-23.1	-60.83	-27.45
Stage 5	-23.3	-64.29	-17.28
Stage 5	-23.5	-65.98	-8.43
Stage 5	-23.7	-66.14	-0.82
Stage 5	-23.9	-65.01	5.64
Stage 5	-24.1	-62.81	11.03
Stage 5	-24.3	-59.72	15.44
Stage 5	-24.5	-55.93	18.94
Stage 5	-24.7	-51.61	21.62
Stage 5	-24.9	-46.9	23.55
Stage 5	-25.1	-41.94	24.79
Stage 5	-25.3	-36.86	25.41
Stage 5	-25.5	-31.76	25.47
Stage 5	-25.7	-26.76	25
Stage 5	-25.9	-21.95	24.06
Stage 5	-26.1	-17.42	22.68
Stage 5	-26.3	-13.24	20.87
Stage 5	-26.5	-9.5	18.68
Stage 5	-26.7	-6.28	16.1
Stage 5	-26.9	-3.65	13.16
Stage 5	-27.1	-1.68	9.86
Stage 5	-27.3	-0.44	6.2
Stage 5	-27.5	0	2.19

Grafico Spostamento SLE (Rara/Frequente/Quasi Permanente) - Stage: Stage 1



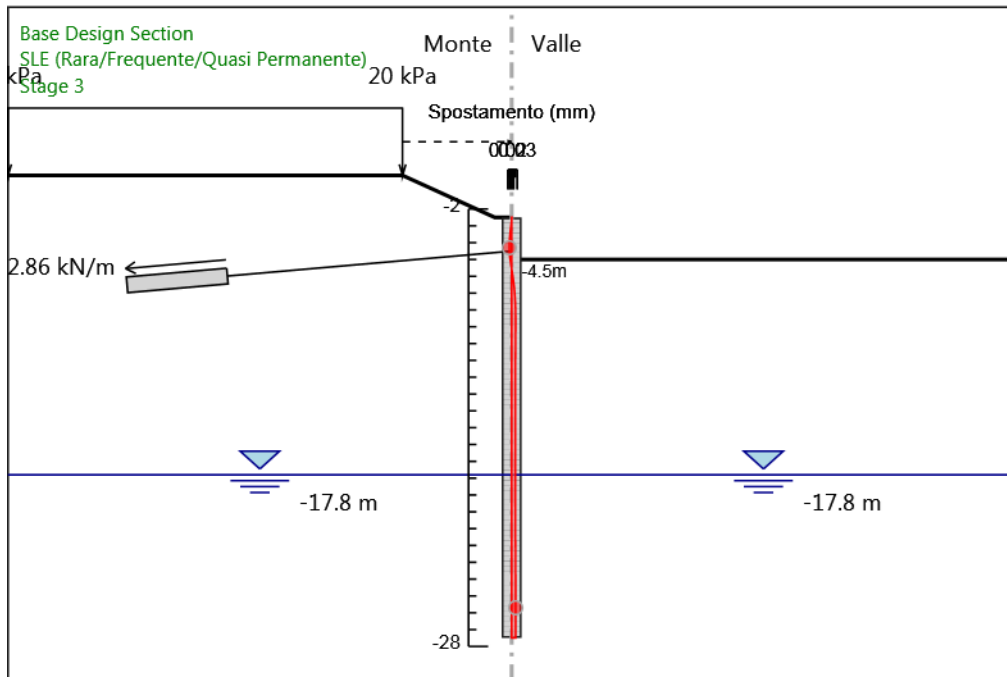
Design Assumption: SLE (Rara/Frequente/Quasi Permanente)
Stage: Stage 1
Spostamento

Grafico Spostamento SLE (Rara/Frequente/Quasi Permanente) - Stage: Stage 2



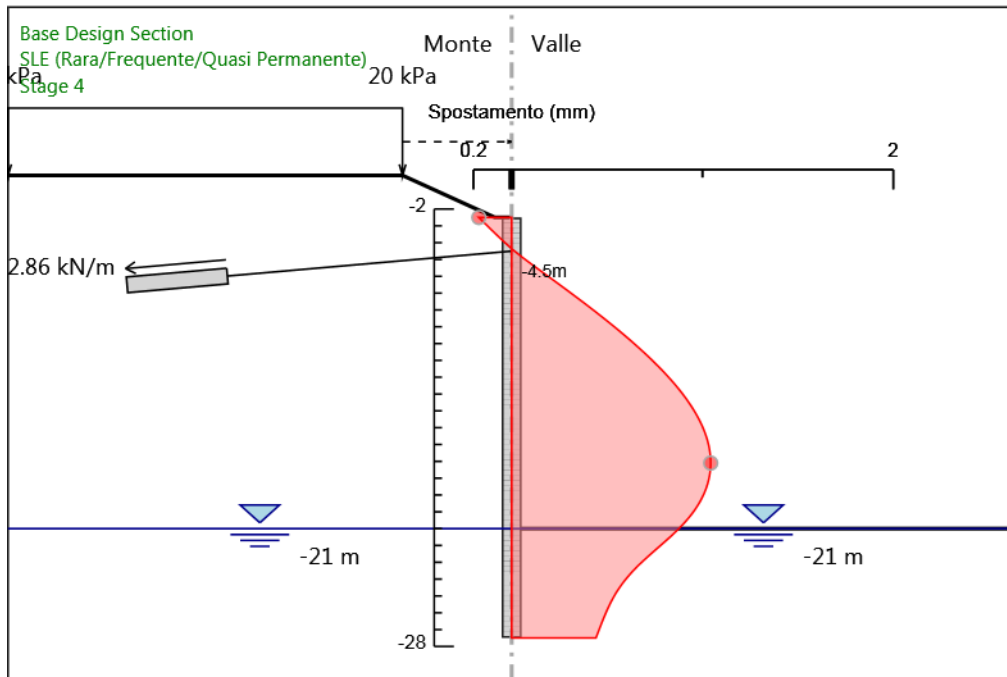
Design Assumption: SLE (Rara/Frequente/Quasi Permanente)
Stage: Stage 2
Spostamento

Grafico Spostamento SLE (Rara/Frequente/Quasi Permanente) - Stage: Stage 3



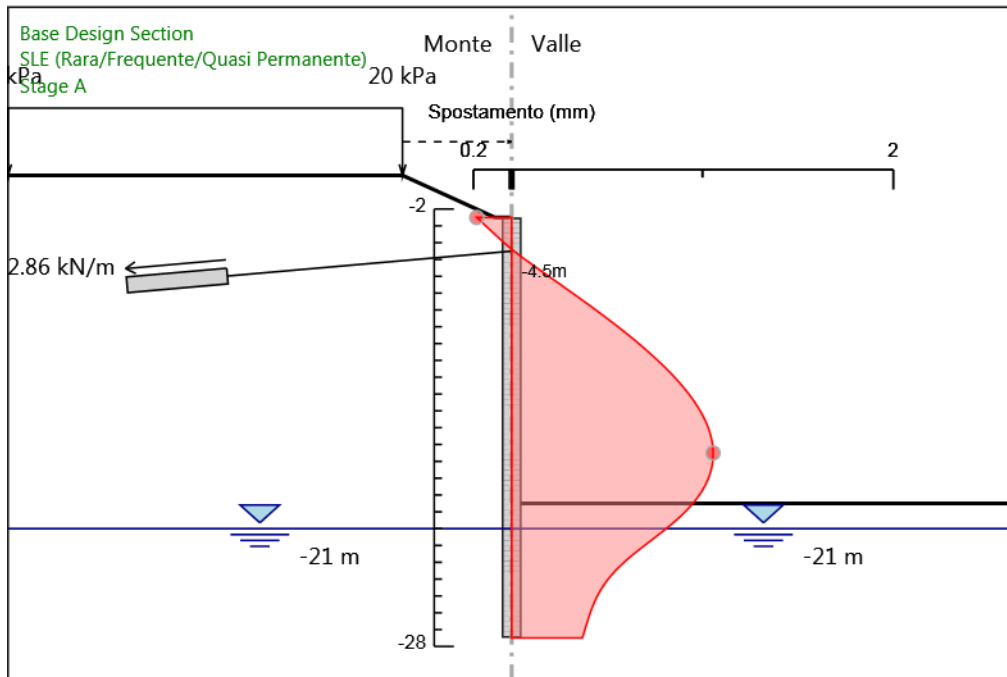
Design Assumption: SLE (Rara/Frequente/Quasi Permanente)
Stage: Stage 3
Spostamento

Grafico Spostamento SLE (Rara/Frequente/Quasi Permanente) - Stage: Stage 4



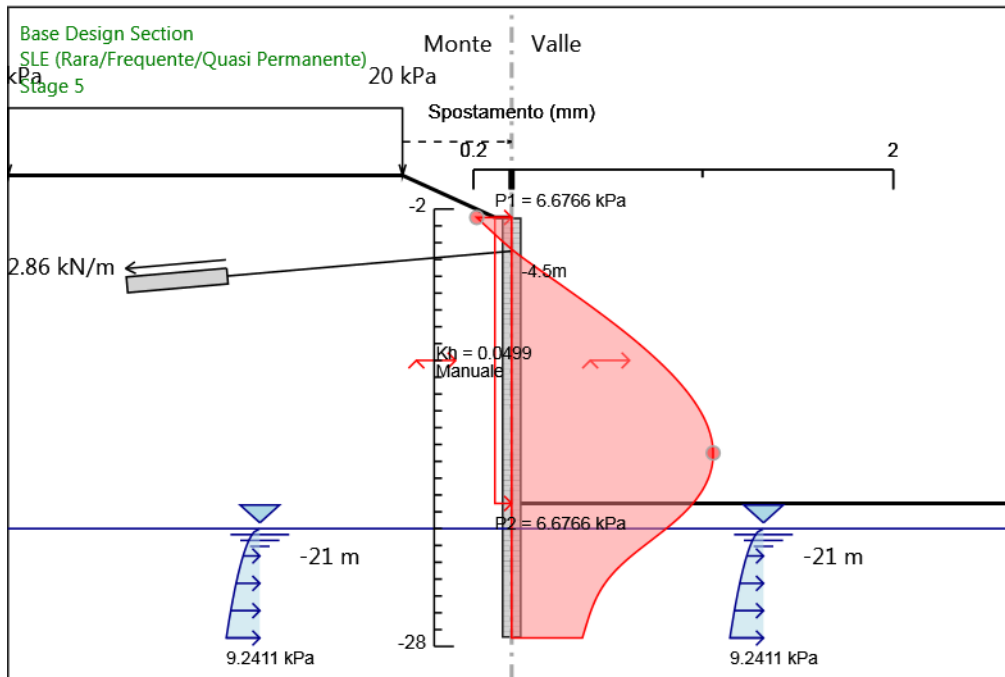
Design Assumption: SLE (Rara/Frequente/Quasi Permanente)
Stage: Stage 4
Spostamento

Grafico Spostamento SLE (Rara/Frequente/Quasi Permanente) - Stage: Stage A



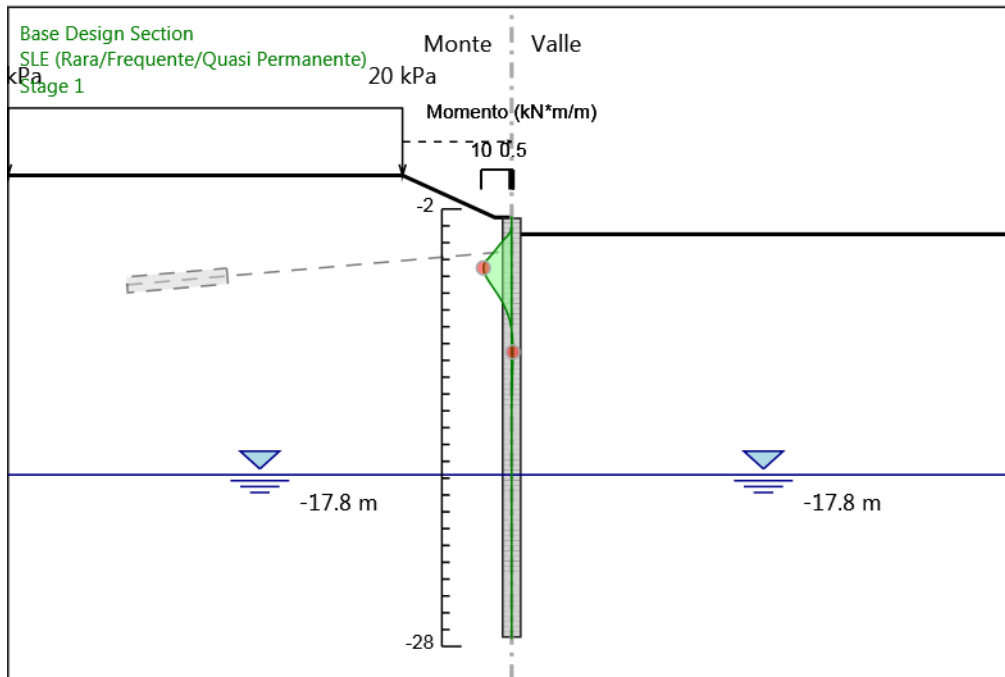
Design Assumption: SLE (Rara/Frequente/Quasi Permanente)
Stage: Stage A
Spostamento

Grafico Spostamento SLE (Rara/Frequente/Quasi Permanente) - Stage: Stage 5



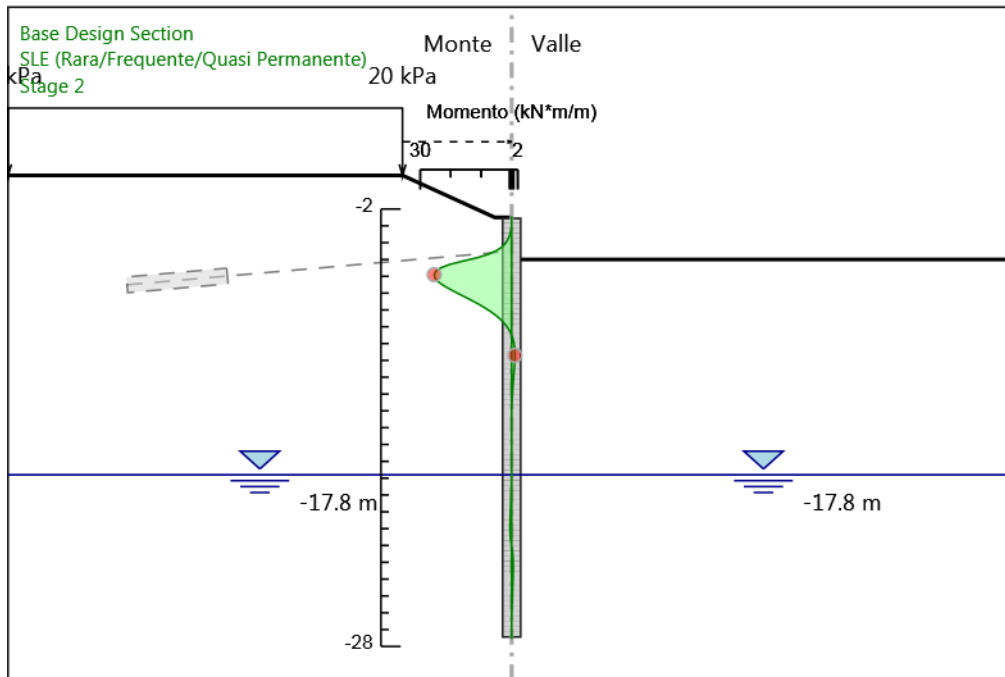
Design Assumption: SLE (Rara/Frequente/Quasi Permanente)
 Stage: Stage 5
 Spostamento

Grafico Risultati Momento SLE (Rara/Frequente/Quasi Permanente) - Stage: Stage 1



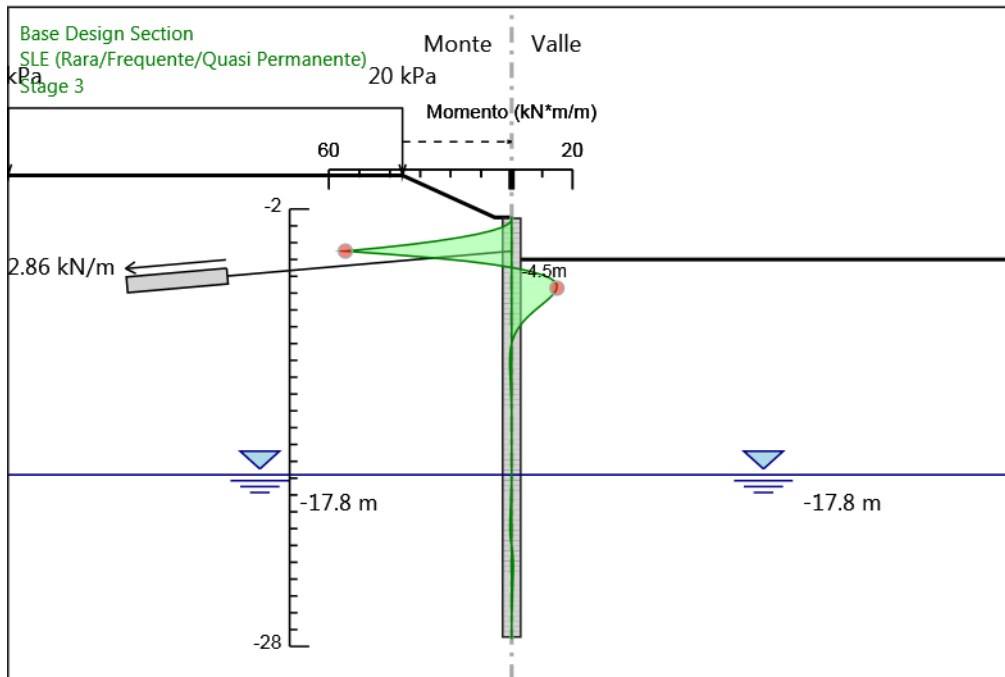
Design Assumption: SLE (Rara/Frequente/Quasi Permanente)
Stage: Stage 1
Momento

Grafico Risultati Momento SLE (Rara/Frequente/Quasi Permanente) - Stage: Stage 2



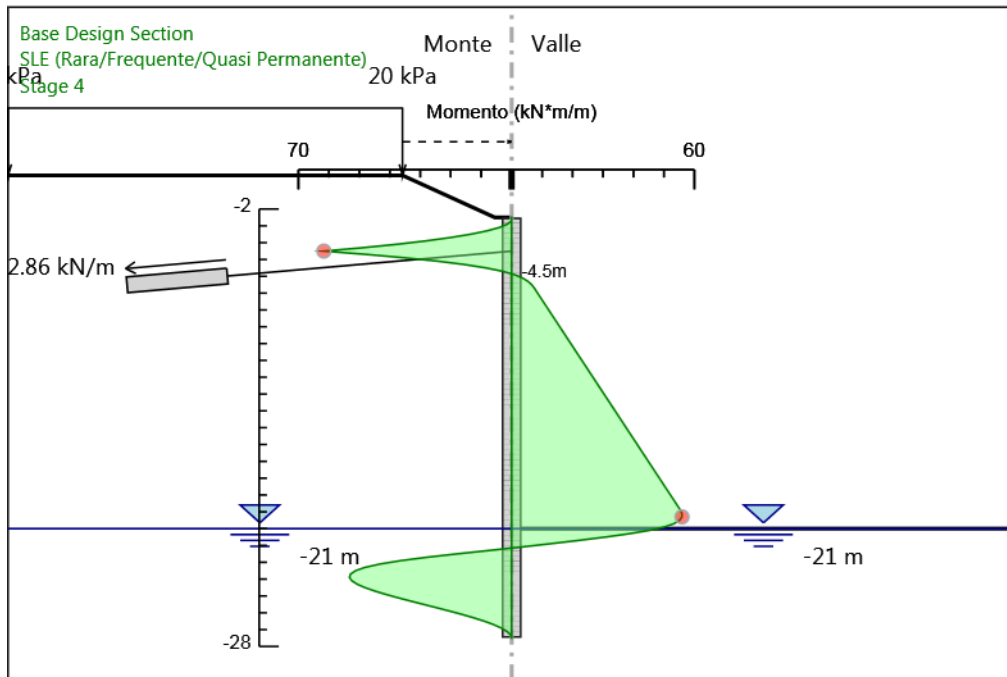
Design Assumption: SLE (Rara/Frequente/Quasi Permanente)
Stage: Stage 2
Momento

Grafico Risultati Momento SLE (Rara/Frequente/Quasi Permanente) - Stage: Stage 3



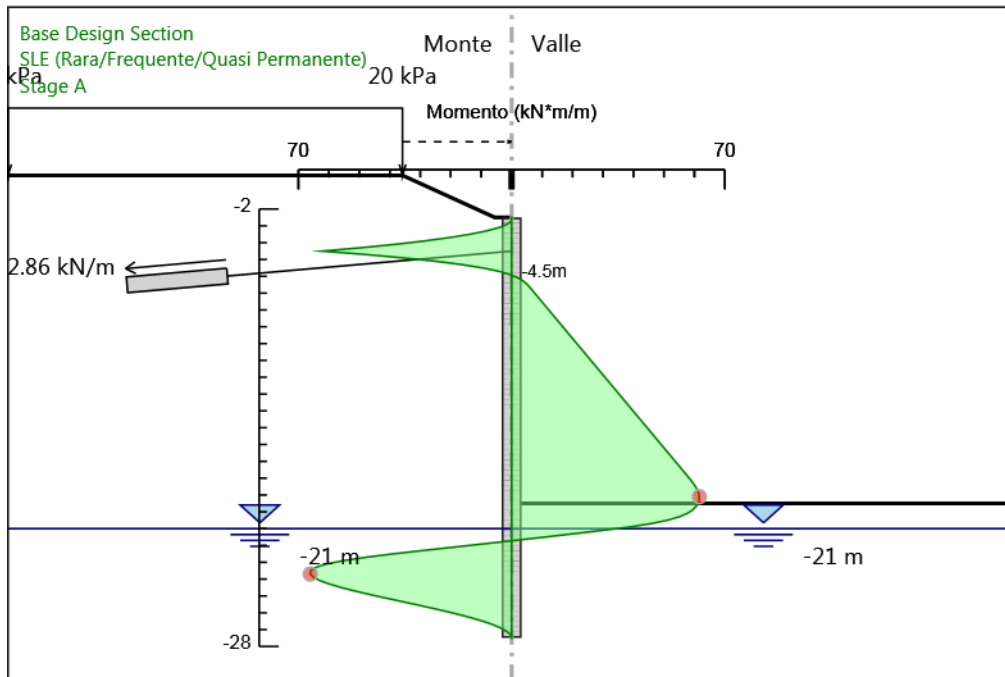
Design Assumption: SLE (Rara/Frequente/Quasi Permanente)
Stage: Stage 3
Momento

Grafico Risultati Momento SLE (Rara/Frequente/Quasi Permanente) - Stage: Stage 4



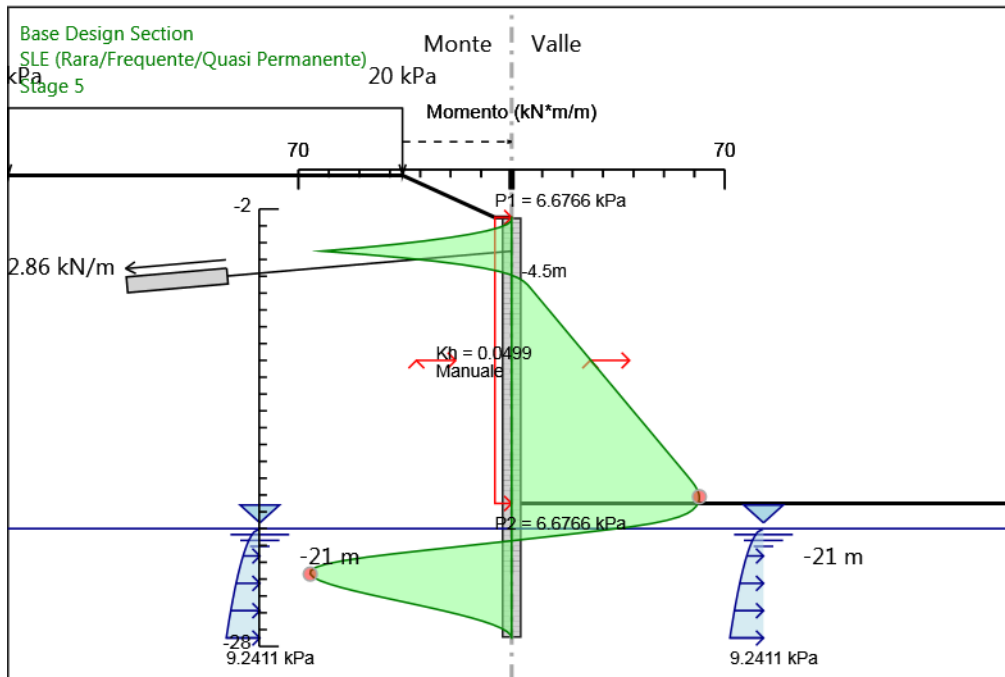
Design Assumption: SLE (Rara/Frequente/Quasi Permanente)
Stage: Stage 4
Momento

Grafico Risultati Momento SLE (Rara/Frequente/Quasi Permanente) - Stage: Stage A



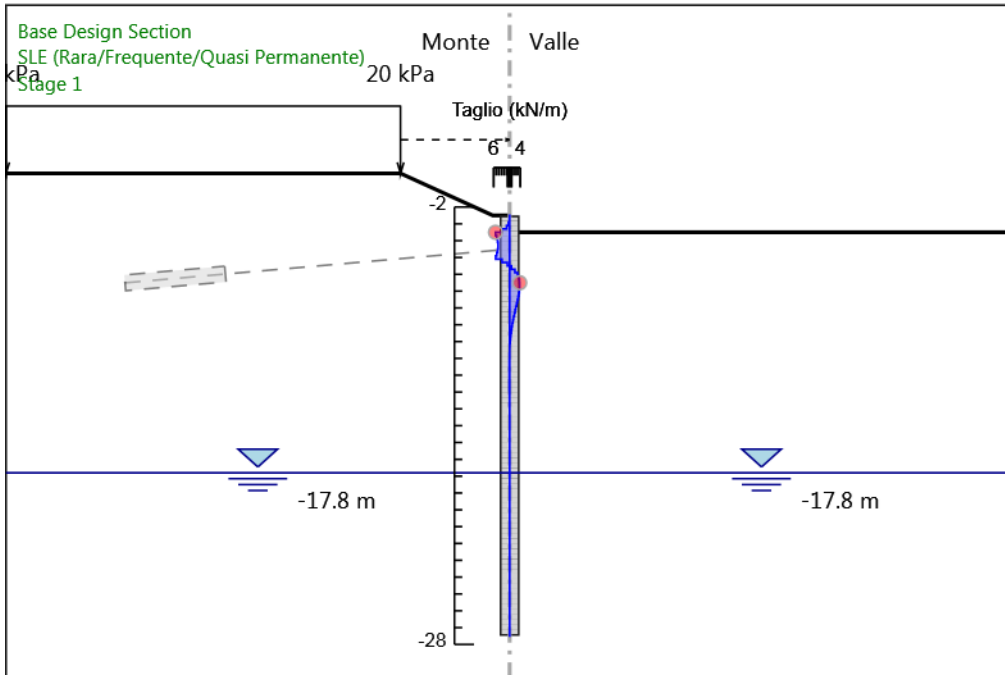
Design Assumption: SLE (Rara/Frequente/Quasi Permanente)
Stage: Stage A
Momento

Grafico Risultati Momento SLE (Rara/Frequente/Quasi Permanente) - Stage: Stage 5



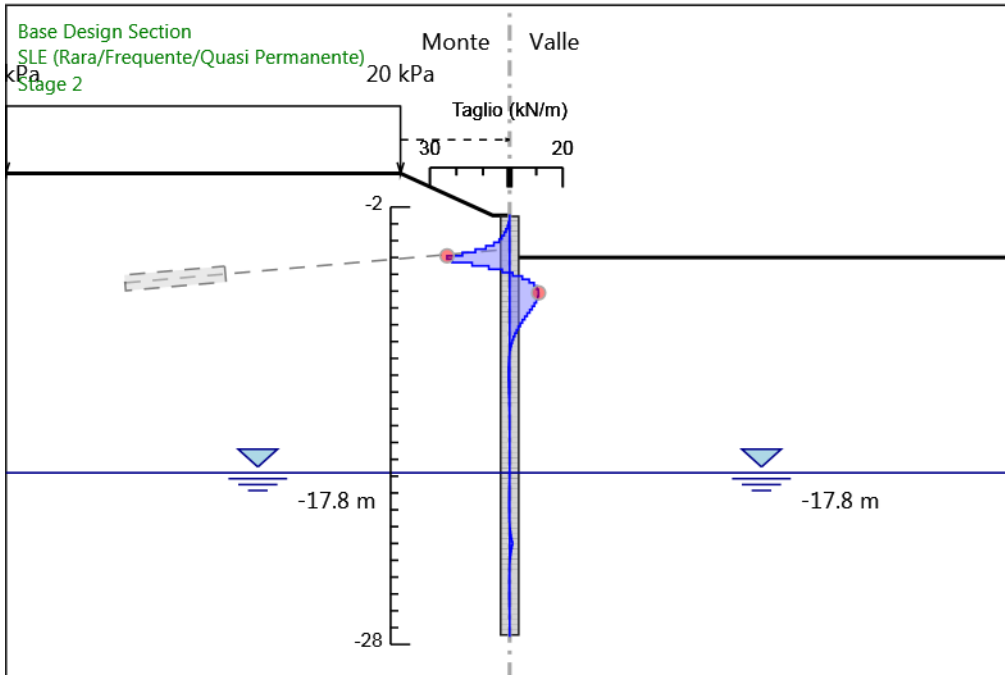
Design Assumption: SLE (Rara/Frequente/Quasi Permanente)
 Stage: Stage 5
 Momento

Grafico Risultati Taglio SLE (Rara/Frequente/Quasi Permanente) - Stage: Stage 1



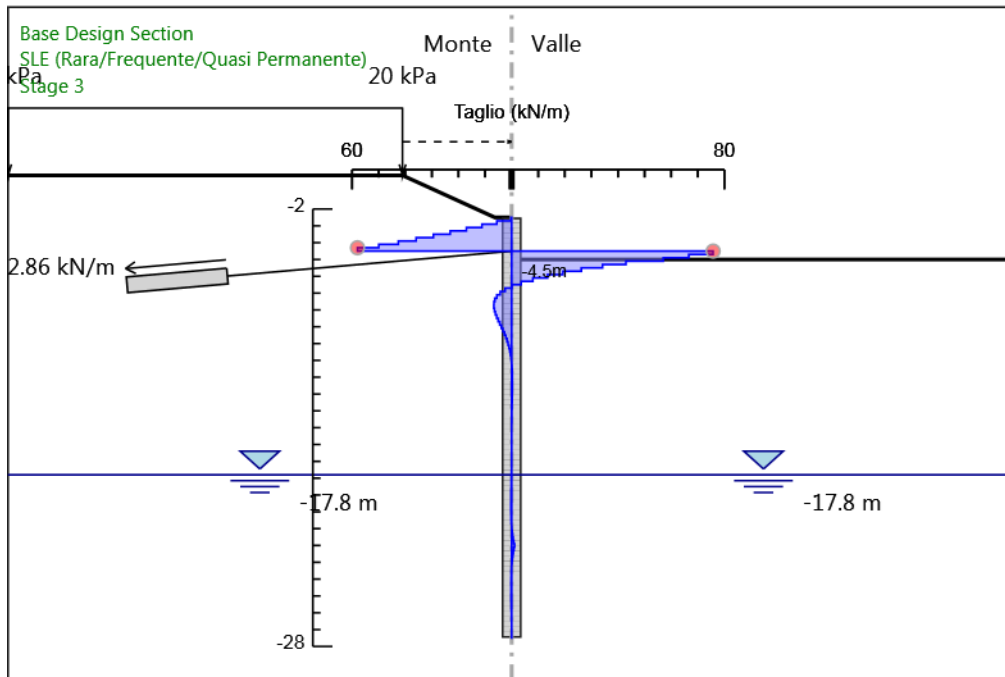
Design Assumption: SLE (Rara/Frequente/Quasi Permanente)
Stage: Stage 1
Taglio

Grafico Risultati Taglio SLE (Rara/Frequente/Quasi Permanente) - Stage: Stage 2



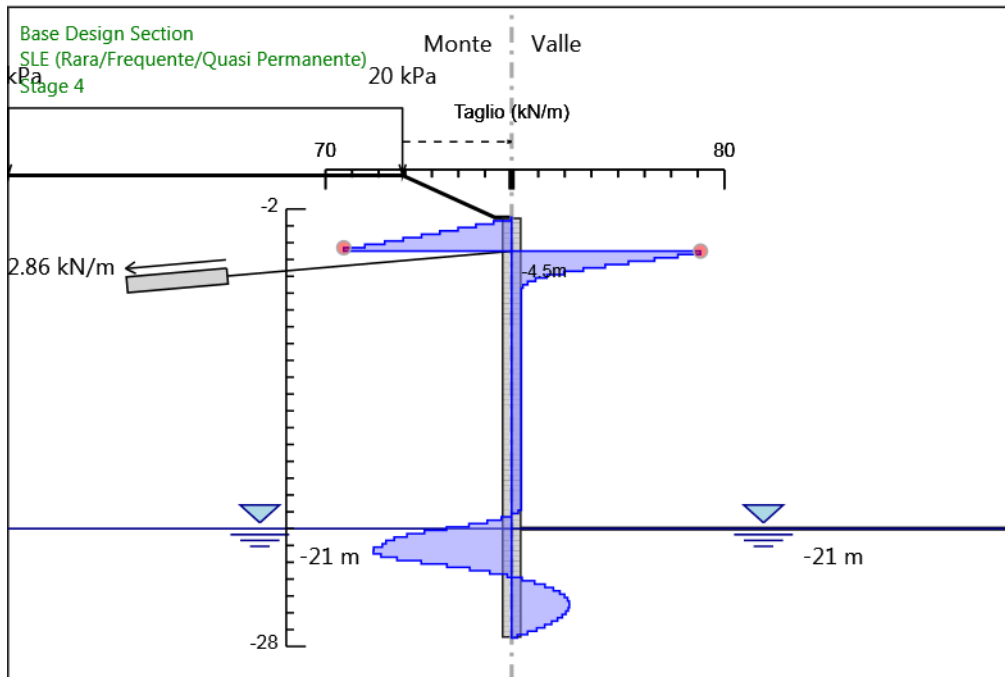
Design Assumption: SLE (Rara/Frequente/Quasi Permanente)
Stage: Stage 2
Taglio

Grafico Risultati Taglio SLE (Rara/Frequente/Quasi Permanente) - Stage: Stage 3



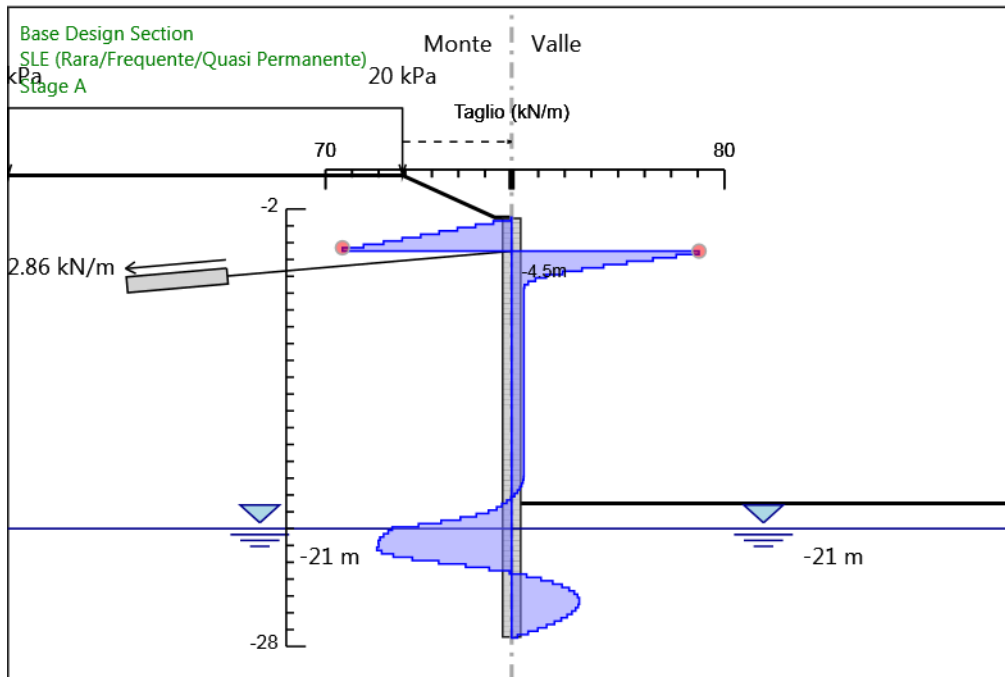
Design Assumption: SLE (Rara/Frequente/Quasi Permanente)
Stage: Stage 3
Taglio

Grafico Risultati Taglio SLE (Rara/Frequente/Quasi Permanente) - Stage: Stage 4



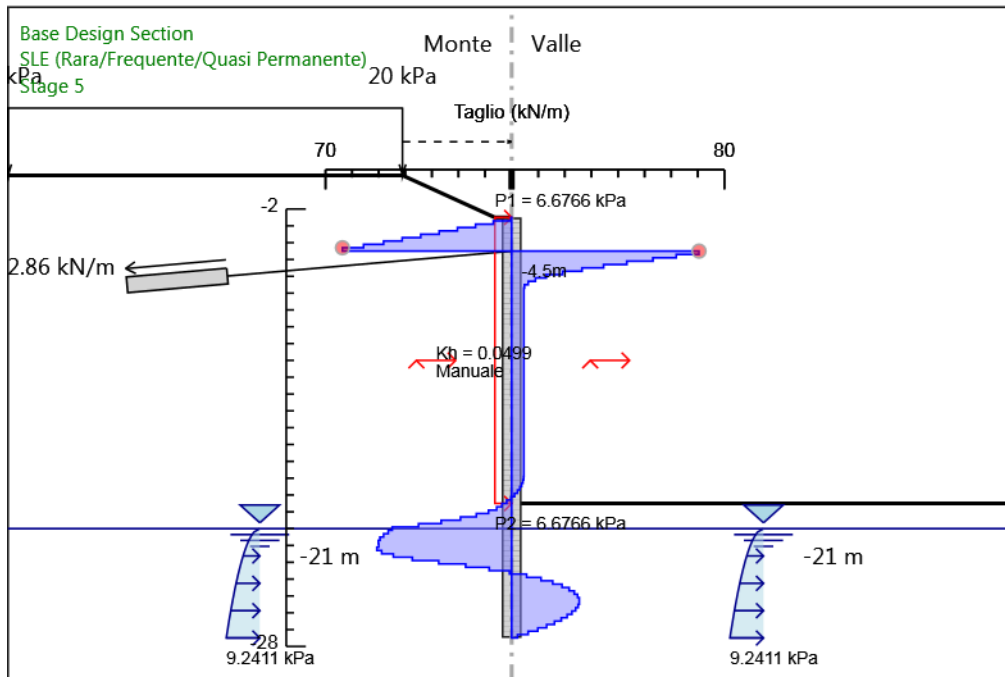
Design Assumption: SLE (Rara/Frequente/Quasi Permanente)
Stage: Stage 4
Taglio

Grafico Risultati Taglio SLE (Rara/Frequente/Quasi Permanente) - Stage: Stage A



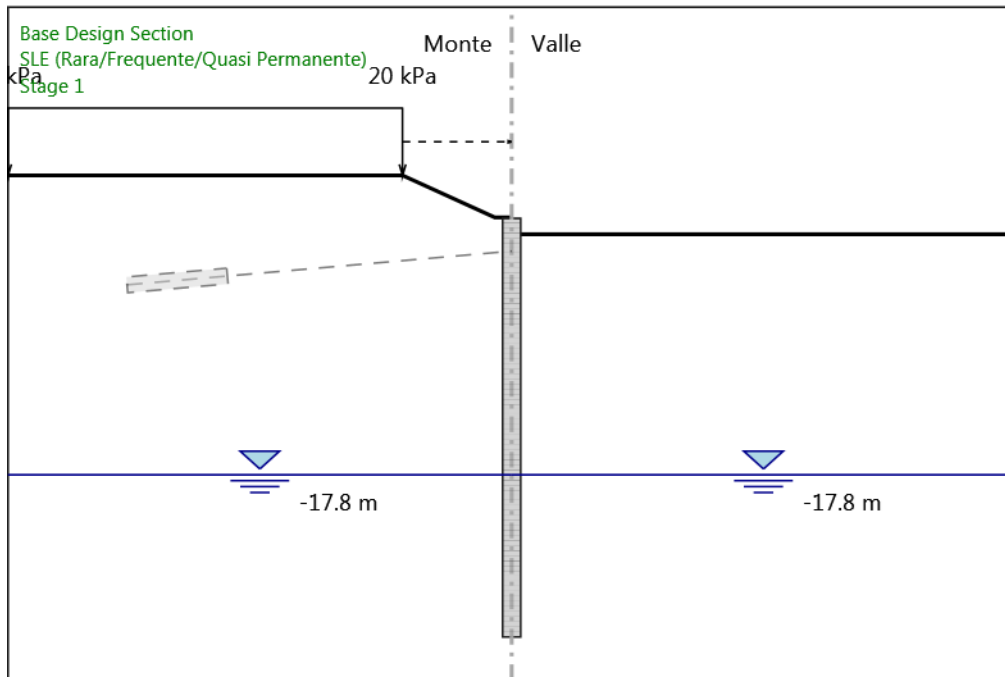
Design Assumption: SLE (Rara/Frequente/Quasi Permanente)
Stage: Stage A
Taglio

Grafico Risultati Taglio SLE (Rara/Frequente/Quasi Permanente) - Stage: Stage 5



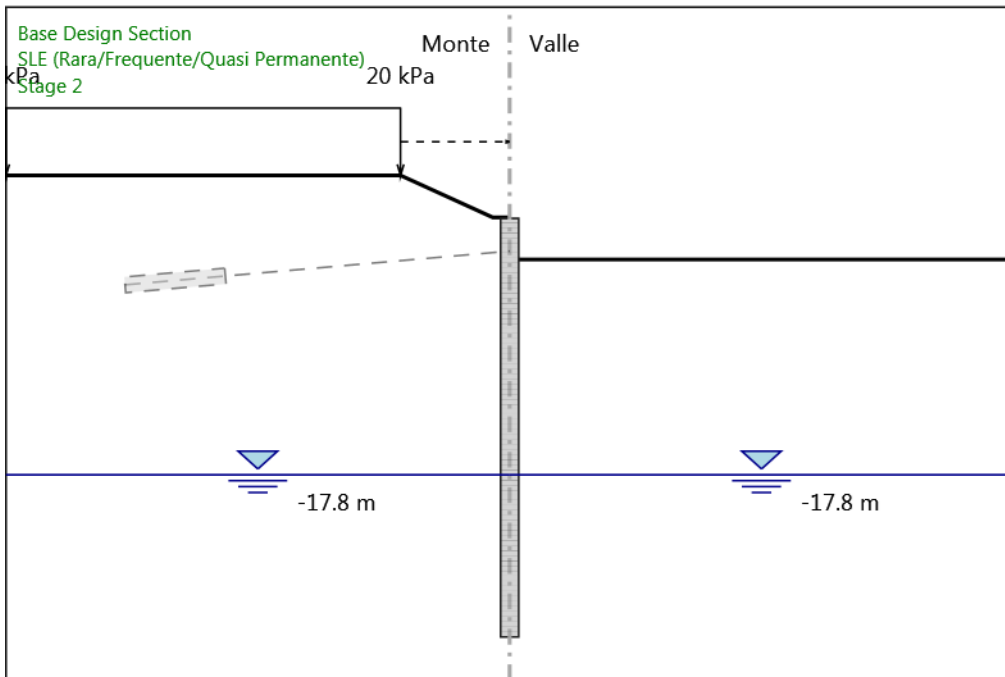
Design Assumption: SLE (Rara/Frequente/Quasi Permanente)
 Stage: Stage 5
 Taglio

Grafico Risultati Momento SLE (Rara/Frequente/Quasi Permanente) - Stage: Stage 1



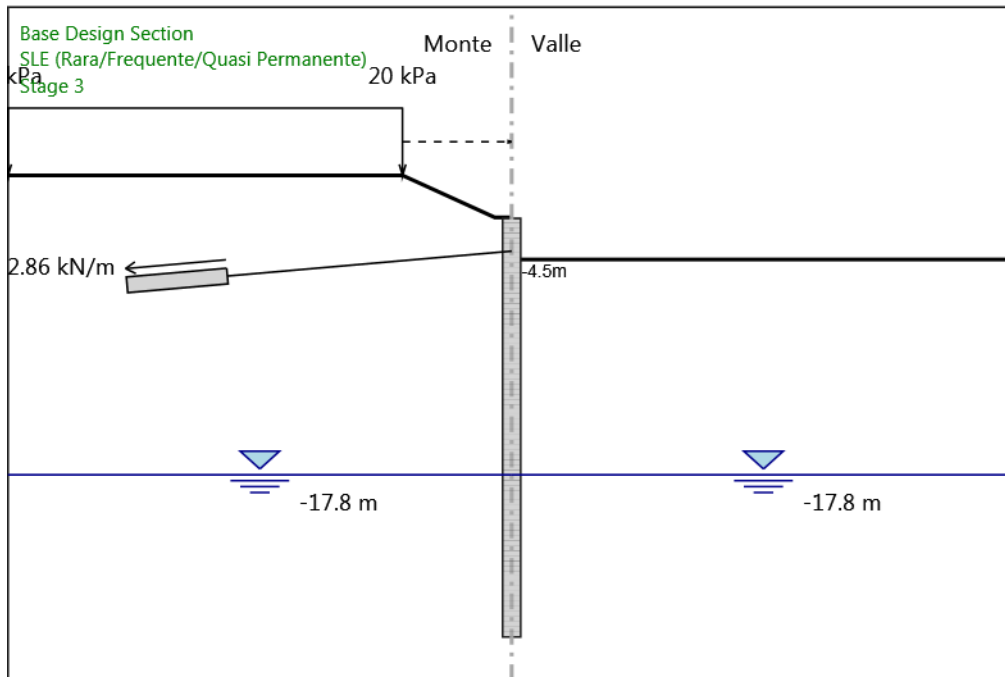
Design Assumption: SLE (Rara/Frequente/Quasi Permanente)
Stage: Stage 1
Momento

Grafico Risultati Momento SLE (Rara/Frequente/Quasi Permanente) - Stage: Stage 2



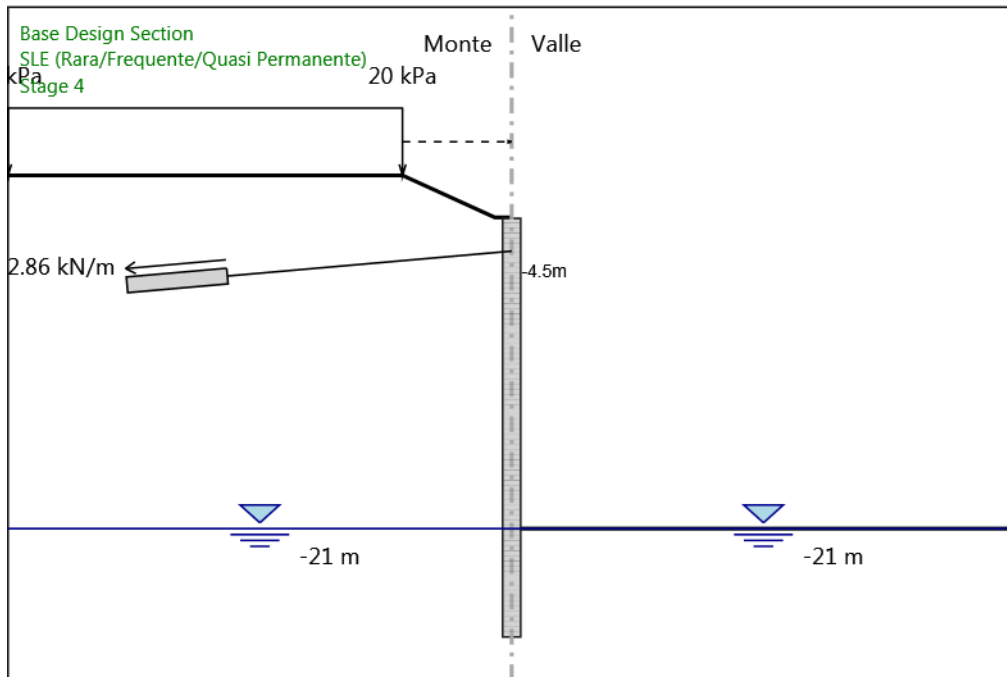
Design Assumption: SLE (Rara/Frequente/Quasi Permanente)
Stage: Stage 2
Momento

Grafico Risultati Momento SLE (Rara/Frequente/Quasi Permanente) - Stage: Stage 3



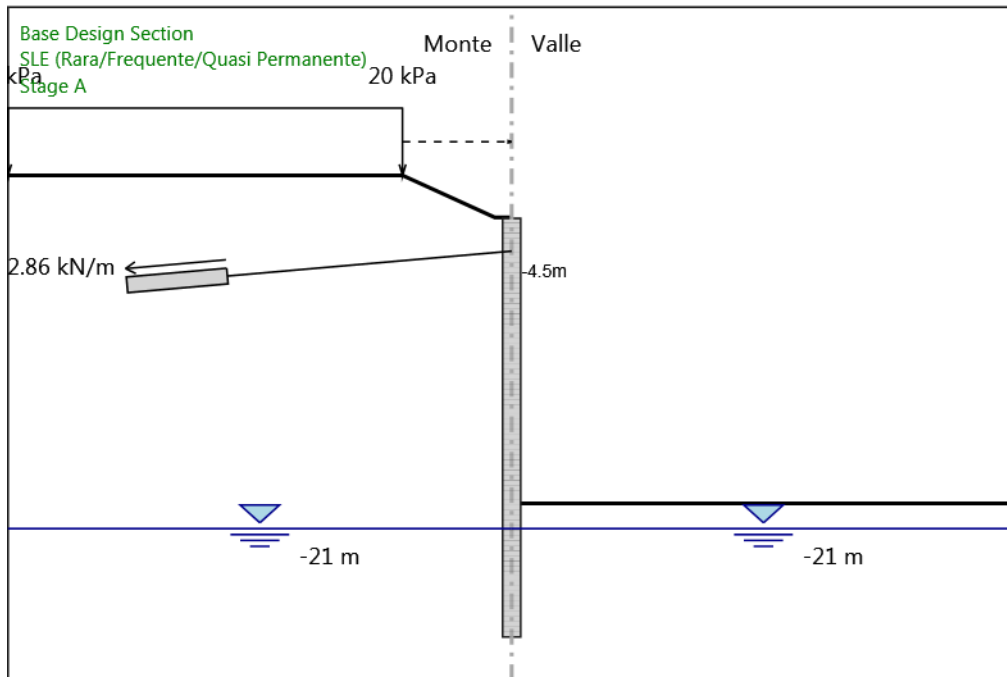
Design Assumption: SLE (Rara/Frequente/Quasi Permanente)
Stage: Stage 3
Momento

Grafico Risultati Momento SLE (Rara/Frequente/Quasi Permanente) - Stage: Stage 4



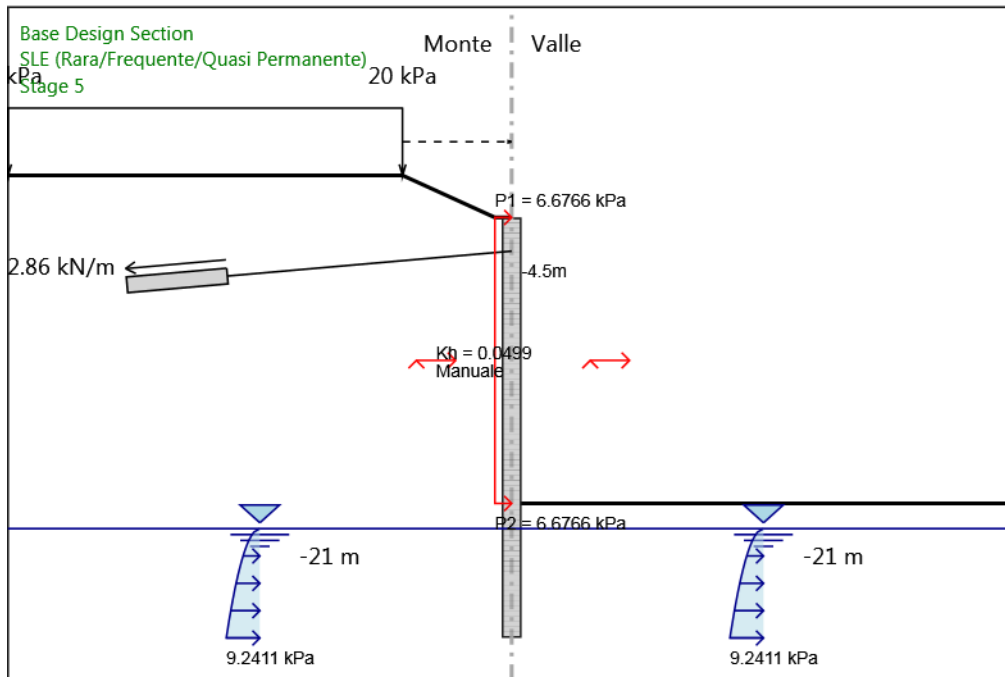
Design Assumption: SLE (Rara/Frequente/Quasi Permanente)
Stage: Stage 4
Momento

Grafico Risultati Momento SLE (Rara/Frequente/Quasi Permanente) - Stage: Stage A



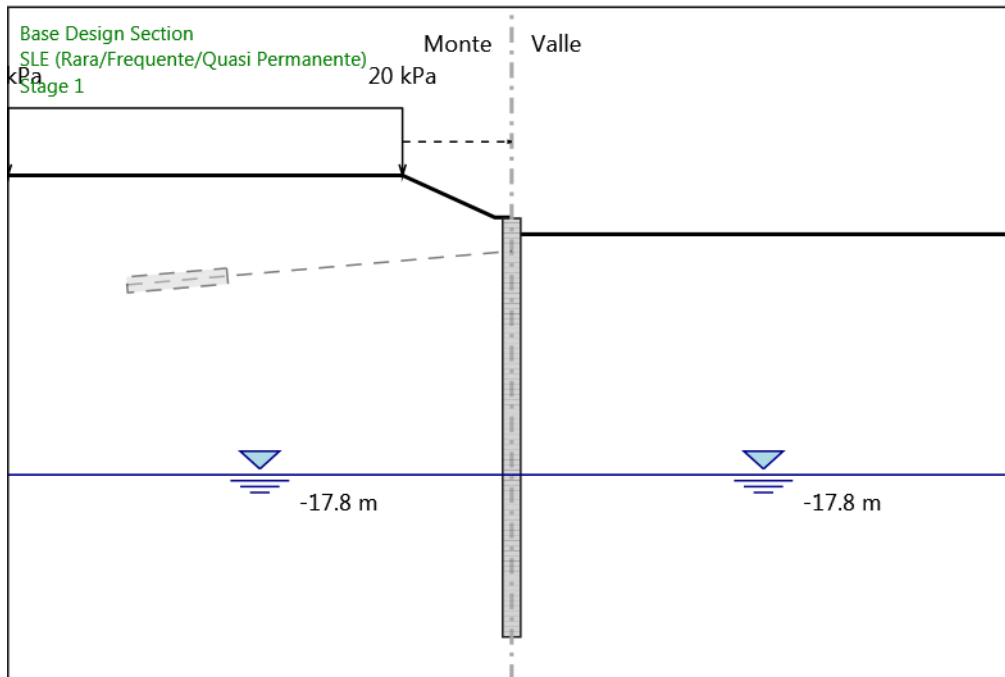
Design Assumption: SLE (Rara/Frequente/Quasi Permanente)
Stage: Stage A
Momento

Grafico Risultati Momento SLE (Rara/Frequente/Quasi Permanente) - Stage: Stage 5



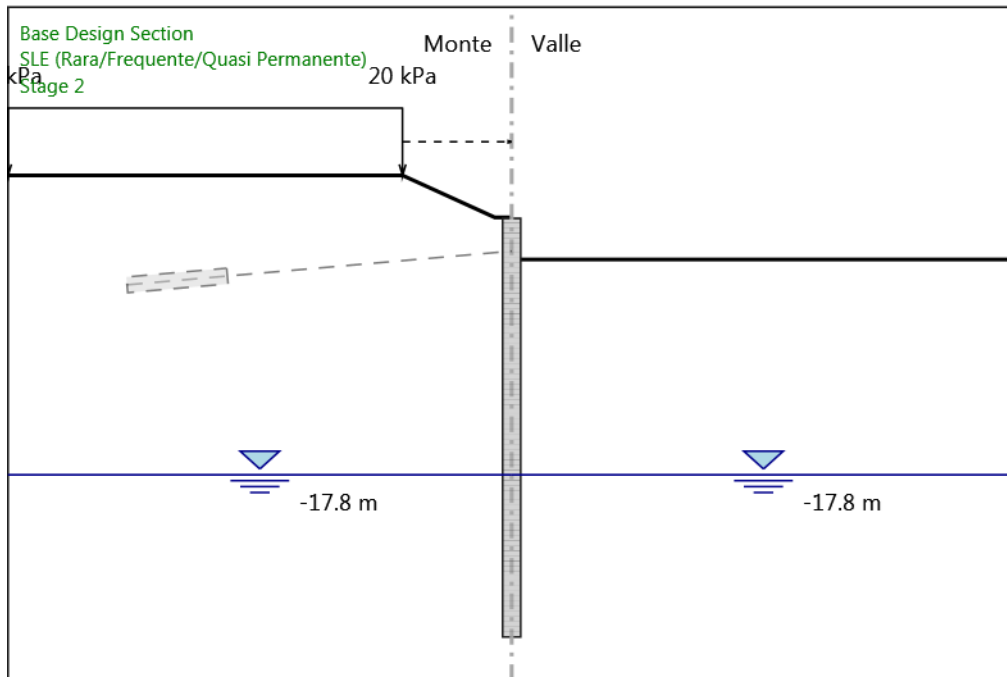
Design Assumption: SLE (Rara/Frequente/Quasi Permanente)
 Stage: Stage 5
 Momento

Grafico Risultati Taglio SLE (Rara/Frequente/Quasi Permanente) - Stage: Stage 1



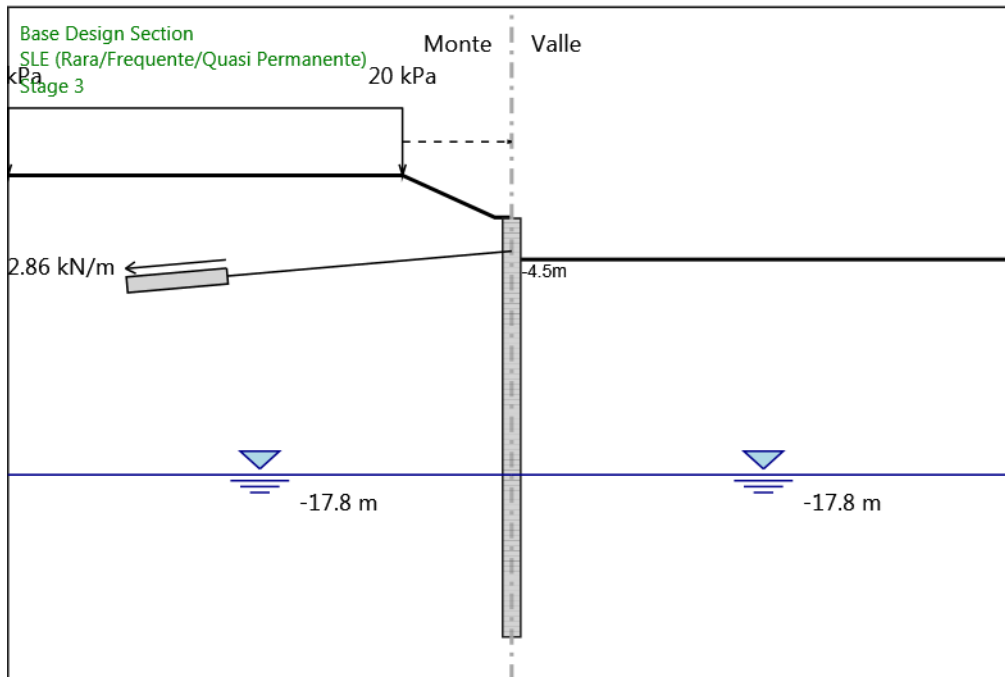
Design Assumption: SLE (Rara/Frequente/Quasi Permanente)
Stage: Stage 1
Taglio

Grafico Risultati Taglio SLE (Rara/Frequente/Quasi Permanente) - Stage: Stage 2



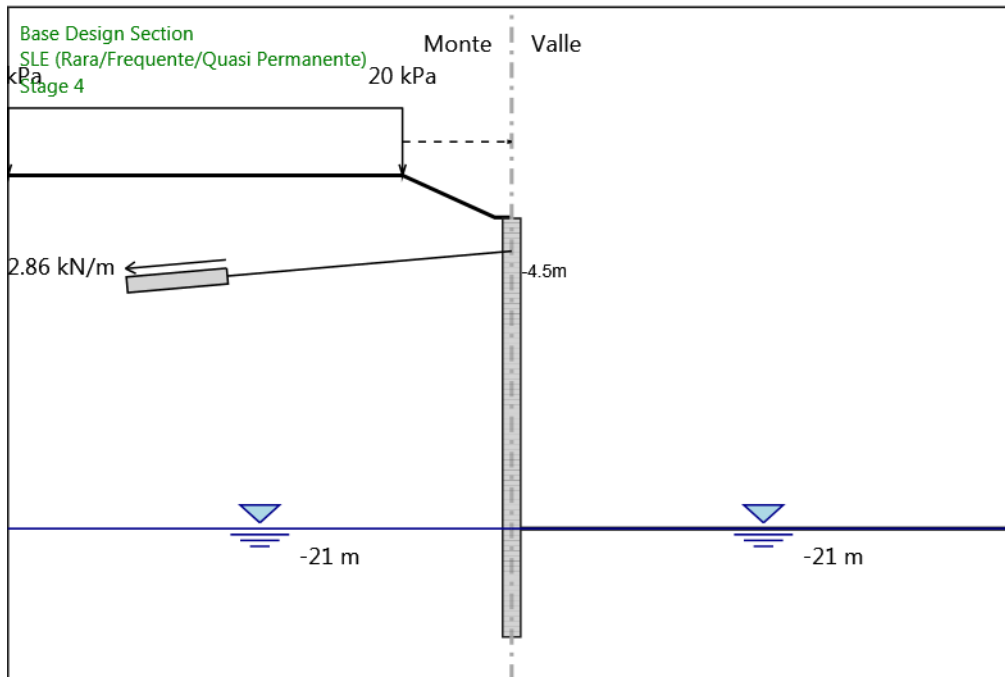
Design Assumption: SLE (Rara/Frequente/Quasi Permanente)
Stage: Stage 2
Taglio

Grafico Risultati Taglio SLE (Rara/Frequente/Quasi Permanente) - Stage: Stage 3



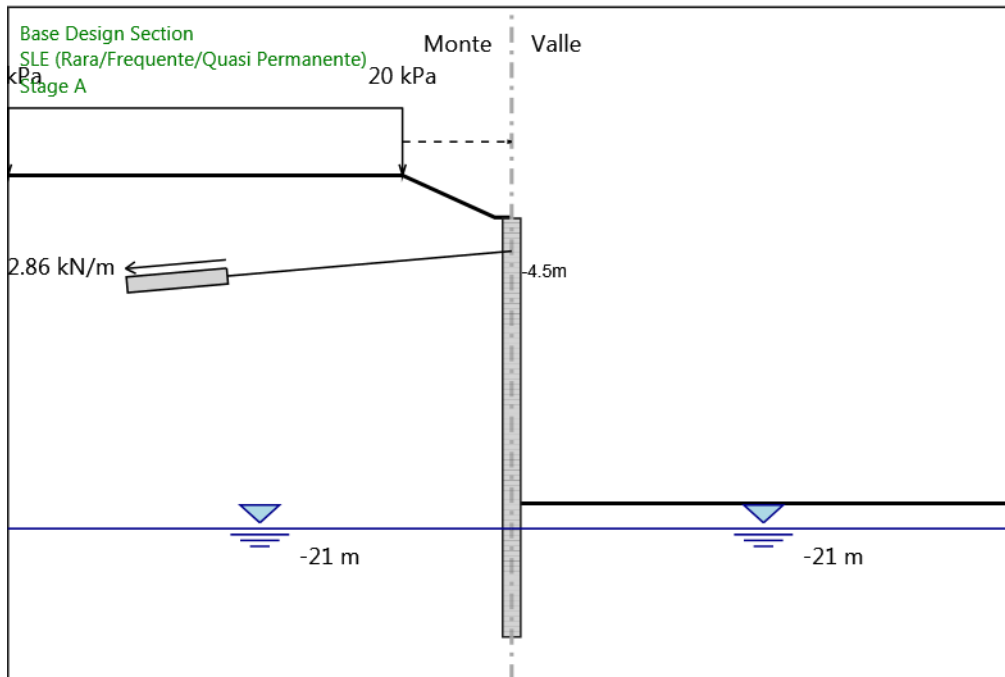
Design Assumption: SLE (Rara/Frequente/Quasi Permanente)
Stage: Stage 3
Taglio

Grafico Risultati Taglio SLE (Rara/Frequente/Quasi Permanente) - Stage: Stage 4



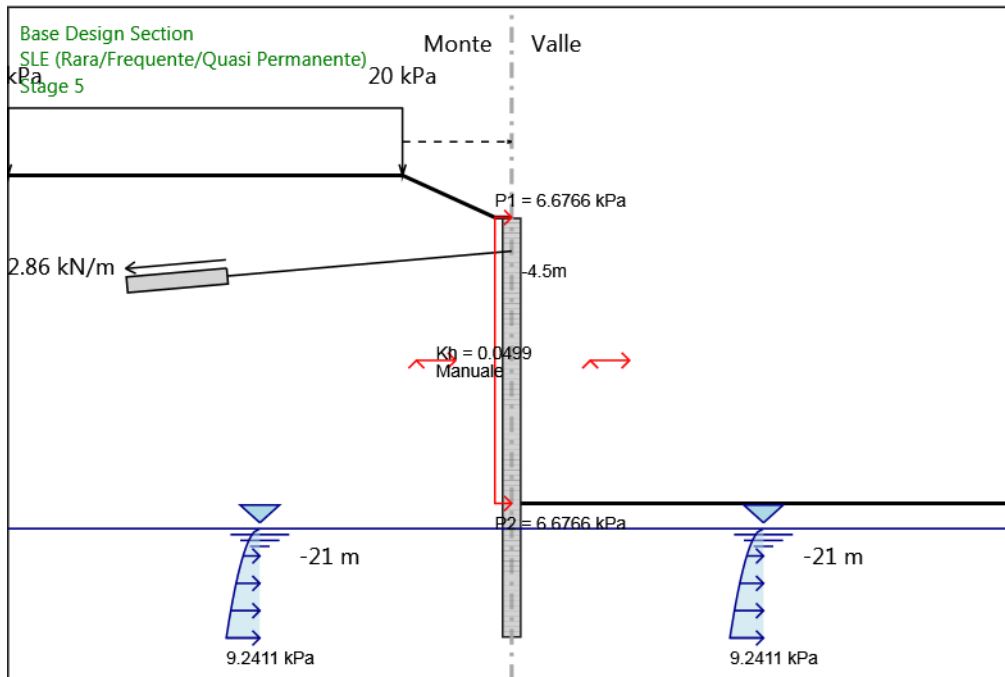
Design Assumption: SLE (Rara/Frequente/Quasi Permanente)
Stage: Stage 4
Taglio

Grafico Risultati Taglio SLE (Rara/Frequente/Quasi Permanente) - Stage: Stage A



Design Assumption: SLE (Rara/Frequente/Quasi Permanente)
Stage: Stage A
Taglio

Grafico Risultati Taglio SLE (Rara/Frequente/Quasi Permanente) - Stage: Stage 5



Design Assumption: SLE (Rara/Frequente/Quasi Permanente)
Stage: Stage 5
Taglio

Risultati Elementi strutturali - SLE (Rara/Frequente/Quasi Permanente)

Design Assumption: SLE (Rara/Frequente/Quasi Permanente) Sollecitazione Tieback	
Stage	Forza (kN/m)
Stage 3	142.9
Stage 4	142.9543
Stage A	142.9485
Stage 5	142.9485

Risultati A1+M1+R1 (R3 per tiranti)

Tabella Risultati Paratia A1+M1+R1 (R3 per tiranti) - Left Wall - Stage: Stage 1

Design Assumption: A1+M1+R1 (R3 per tiranti) Risultati Paratia		Muro: LEFT	
Stage	Z (m)	Momento (kN*m/m)	Taglio (kN/m)
Stage 1	-2.5	0	0
Stage 1	-2.7	0	0
Stage 1	-2.9	-0.04	-0.19
Stage 1	-3.1	-0.15	-0.55
Stage 1	-3.3	-0.47	-1.58
Stage 1	-3.5	-1.24	-3.85
Stage 1	-3.7	-2.69	-7.29
Stage 1	-3.9	-4.01	-6.6
Stage 1	-4.1	-5.24	-6.13
Stage 1	-4.3	-6.41	-5.88
Stage 1	-4.5	-7.58	-5.84
Stage 1	-4.7	-8.78	-6.01
Stage 1	-4.9	-10.06	-6.38
Stage 1	-5.1	-11.44	-6.92
Stage 1	-5.3	-12.19	-3.74
Stage 1	-5.5	-12.42	-1.12
Stage 1	-5.7	-12.21	1.01
Stage 1	-5.9	-11.67	2.7
Stage 1	-6.1	-10.87	4.01
Stage 1	-6.3	-9.96	4.58
Stage 1	-6.5	-8.97	4.91
Stage 1	-6.7	-7.97	5.04
Stage 1	-6.9	-6.97	5
Stage 1	-7.1	-6	4.84
Stage 1	-7.3	-5.08	4.59
Stage 1	-7.5	-4.23	4.26
Stage 1	-7.7	-3.45	3.9
Stage 1	-7.9	-2.75	3.51
Stage 1	-8.1	-2.13	3.11
Stage 1	-8.3	-1.58	2.72
Stage 1	-8.5	-1.11	2.34
Stage 1	-8.7	-0.72	1.98
Stage 1	-8.9	-0.39	1.64
Stage 1	-9.1	-0.12	1.34
Stage 1	-9.3	0.09	1.06
Stage 1	-9.5	0.25	0.82
Stage 1	-9.7	0.38	0.61
Stage 1	-9.9	0.46	0.43
Stage 1	-10.1	0.51	0.27
Stage 1	-10.3	0.54	0.14
Stage 1	-10.5	0.55	0.04
Stage 1	-10.7	0.54	-0.04
Stage 1	-10.9	0.52	-0.1
Stage 1	-11.1	0.49	-0.15
Stage 1	-11.3	0.46	-0.18
Stage 1	-11.5	0.41	-0.2
Stage 1	-11.7	0.37	-0.22
Stage 1	-11.9	0.33	-0.22
Stage 1	-12.1	0.28	-0.21
Stage 1	-12.3	0.24	-0.21
Stage 1	-12.5	0.21	-0.19
Stage 1	-12.7	0.17	-0.18
Stage 1	-12.9	0.14	-0.16
Stage 1	-13.1	0.11	-0.15
Stage 1	-13.3	0.08	-0.13
Stage 1	-13.5	0.06	-0.11
Stage 1	-13.7	0.04	-0.1
Stage 1	-13.9	0.02	-0.08
Stage 1	-14.1	0.01	-0.07
Stage 1	-14.3	0	-0.05
Stage 1	-14.5	-0.01	-0.04
Stage 1	-14.7	-0.01	-0.03
Stage 1	-14.9	-0.02	-0.02
Stage 1	-15.1	-0.02	-0.02

Design Assumption: A1+M1+R1 (R3 per tiranti) Risultati Paratia		Muro: LEFT	
Stage	Z (m)	Momento (kN*m/m)	Taglio (kN/m)
Stage 1	-15.3	-0.02	-0.01
Stage 1	-15.5	-0.02	0
Stage 1	-15.7	-0.02	0
Stage 1	-15.9	-0.02	0
Stage 1	-16.1	-0.02	0.01
Stage 1	-16.3	-0.02	0.01
Stage 1	-16.5	-0.02	0.01
Stage 1	-16.7	-0.02	0.01
Stage 1	-16.9	-0.02	0.01
Stage 1	-17.1	-0.01	0.01
Stage 1	-17.3	-0.01	0.01
Stage 1	-17.5	-0.01	0.01
Stage 1	-17.7	-0.01	0.01
Stage 1	-17.9	0	0.01
Stage 1	-18.1	0	0.01
Stage 1	-18.3	0	0.01
Stage 1	-18.5	0	0.01
Stage 1	-18.7	0	0.01
Stage 1	-18.9	0.01	0.01
Stage 1	-19.1	0.01	0.01
Stage 1	-19.3	0.01	0.01
Stage 1	-19.5	0.01	0.01
Stage 1	-19.7	0.01	0.01
Stage 1	-19.9	0.02	0.01
Stage 1	-20.1	0.02	0.01
Stage 1	-20.3	0.02	0.01
Stage 1	-20.5	0.02	0
Stage 1	-20.7	0.02	0
Stage 1	-20.9	0.02	0
Stage 1	-21.1	0.02	0
Stage 1	-21.3	0.02	-0.01
Stage 1	-21.5	0.01	-0.01
Stage 1	-21.7	0.01	-0.02
Stage 1	-21.9	0	-0.03
Stage 1	-22.1	0	-0.03
Stage 1	-22.3	-0.01	-0.03
Stage 1	-22.5	-0.01	-0.02
Stage 1	-22.7	-0.01	-0.01
Stage 1	-22.9	-0.02	-0.01
Stage 1	-23.1	-0.02	0
Stage 1	-23.3	-0.02	0
Stage 1	-23.5	-0.02	0
Stage 1	-23.7	-0.02	0
Stage 1	-23.9	-0.02	0
Stage 1	-24.1	-0.01	0.01
Stage 1	-24.3	-0.01	0.01
Stage 1	-24.5	-0.01	0.01
Stage 1	-24.7	-0.01	0.01
Stage 1	-24.9	-0.01	0.01
Stage 1	-25.1	-0.01	0.01
Stage 1	-25.3	-0.01	0.01
Stage 1	-25.5	-0.01	0.01
Stage 1	-25.7	0	0.01
Stage 1	-25.9	0	0
Stage 1	-26.1	0	0
Stage 1	-26.3	0	0
Stage 1	-26.5	0	0
Stage 1	-26.7	0	0
Stage 1	-26.9	0	0
Stage 1	-27.1	0	0
Stage 1	-27.3	0	0
Stage 1	-27.5	0	0

Tabella Risultati Paratia A1+M1+R1 (R3 per tiranti) - Left Wall - Stage: Stage 2

Design Assumption: A1+M1+R1 (R3 per tiranti) Risultati Paratia		Muro: LEFT	
Stage	Z (m)	Momento (kN*m/m)	Taglio (kN/m)
Stage 2	-2.5	0	0
Stage 2	-2.7	0	0
Stage 2	-2.9	-0.04	-0.19
Stage 2	-3.1	-0.15	-0.55
Stage 2	-3.3	-0.37	-1.09
Stage 2	-3.5	-0.73	-1.81
Stage 2	-3.7	-1.27	-2.72
Stage 2	-3.9	-2.04	-3.82
Stage 2	-4.1	-3.08	-5.2
Stage 2	-4.3	-4.66	-7.91
Stage 2	-4.5	-7.04	-11.91
Stage 2	-4.7	-10.47	-17.16
Stage 2	-4.9	-15.2	-23.63
Stage 2	-5.1	-21.46	-31.28
Stage 2	-5.3	-27.21	-28.79
Stage 2	-5.5	-30.97	-18.79
Stage 2	-5.7	-33.06	-10.46
Stage 2	-5.9	-33.81	-3.72
Stage 2	-6.1	-33.5	1.55
Stage 2	-6.3	-32.23	6.33
Stage 2	-6.5	-30.27	9.82
Stage 2	-6.7	-27.83	12.2
Stage 2	-6.9	-25.1	13.66
Stage 2	-7.1	-22.23	14.36
Stage 2	-7.3	-19.34	14.45
Stage 2	-7.5	-16.52	14.07
Stage 2	-7.7	-13.86	13.34
Stage 2	-7.9	-11.38	12.37
Stage 2	-8.1	-9.13	11.24
Stage 2	-8.3	-7.13	10.03
Stage 2	-8.5	-5.37	8.78
Stage 2	-8.7	-3.86	7.56
Stage 2	-8.9	-2.58	6.39
Stage 2	-9.1	-1.52	5.29
Stage 2	-9.3	-0.67	4.28
Stage 2	-9.5	0.01	3.38
Stage 2	-9.7	0.53	2.58
Stage 2	-9.9	0.9	1.89
Stage 2	-10.1	1.17	1.31
Stage 2	-10.3	1.33	0.81
Stage 2	-10.5	1.41	0.41
Stage 2	-10.7	1.43	0.09
Stage 2	-10.9	1.4	-0.15
Stage 2	-11.1	1.33	-0.34
Stage 2	-11.3	1.24	-0.47
Stage 2	-11.5	1.13	-0.55
Stage 2	-11.7	1.01	-0.6
Stage 2	-11.9	0.88	-0.62
Stage 2	-12.1	0.76	-0.61
Stage 2	-12.3	0.64	-0.59
Stage 2	-12.5	0.53	-0.55
Stage 2	-12.7	0.43	-0.51
Stage 2	-12.9	0.34	-0.46
Stage 2	-13.1	0.26	-0.4
Stage 2	-13.3	0.19	-0.35
Stage 2	-13.5	0.13	-0.3
Stage 2	-13.7	0.08	-0.25
Stage 2	-13.9	0.04	-0.2
Stage 2	-14.1	0.01	-0.16
Stage 2	-14.3	-0.01	-0.12
Stage 2	-14.5	-0.03	-0.09
Stage 2	-14.7	-0.04	-0.06
Stage 2	-14.9	-0.05	-0.03
Stage 2	-15.1	-0.05	-0.01
Stage 2	-15.3	-0.05	0
Stage 2	-15.5	-0.05	0.01
Stage 2	-15.7	-0.05	0.02

Design Assumption: A1+M1+R1 (R3 per tiranti) Risultati Paratia		Muro: LEFT	
Stage	Z (m)	Momento (kN*m/m)	Taglio (kN/m)
Stage 2	-15.9	-0.04	0.03
Stage 2	-16.1	-0.03	0.03
Stage 2	-16.3	-0.03	0.03
Stage 2	-16.5	-0.02	0.02
Stage 2	-16.7	-0.02	0.02
Stage 2	-16.9	-0.02	0.01
Stage 2	-17.1	-0.02	0
Stage 2	-17.3	-0.02	-0.02
Stage 2	-17.5	-0.03	-0.04
Stage 2	-17.7	-0.04	-0.06
Stage 2	-17.9	-0.06	-0.08
Stage 2	-18.1	-0.08	-0.1
Stage 2	-18.3	-0.11	-0.13
Stage 2	-18.5	-0.14	-0.16
Stage 2	-18.7	-0.18	-0.19
Stage 2	-18.9	-0.22	-0.22
Stage 2	-19.1	-0.27	-0.25
Stage 2	-19.3	-0.32	-0.27
Stage 2	-19.5	-0.38	-0.29
Stage 2	-19.7	-0.44	-0.31
Stage 2	-19.9	-0.51	-0.31
Stage 2	-20.1	-0.57	-0.3
Stage 2	-20.3	-0.62	-0.28
Stage 2	-20.5	-0.67	-0.23
Stage 2	-20.7	-0.7	-0.16
Stage 2	-20.9	-0.72	-0.06
Stage 2	-21.1	-0.7	0.07
Stage 2	-21.3	-0.65	0.24
Stage 2	-21.5	-0.56	0.46
Stage 2	-21.7	-0.42	0.73
Stage 2	-21.9	-0.21	1.05
Stage 2	-22.1	0.08	1.43
Stage 2	-22.3	0.3	1.09
Stage 2	-22.5	0.46	0.8
Stage 2	-22.7	0.57	0.55
Stage 2	-22.9	0.63	0.34
Stage 2	-23.1	0.67	0.17
Stage 2	-23.3	0.67	0.03
Stage 2	-23.5	0.66	-0.08
Stage 2	-23.7	0.63	-0.16
Stage 2	-23.9	0.58	-0.21
Stage 2	-24.1	0.53	-0.25
Stage 2	-24.3	0.48	-0.27
Stage 2	-24.5	0.42	-0.28
Stage 2	-24.7	0.37	-0.28
Stage 2	-24.9	0.31	-0.27
Stage 2	-25.1	0.26	-0.25
Stage 2	-25.3	0.22	-0.23
Stage 2	-25.5	0.17	-0.21
Stage 2	-25.7	0.14	-0.19
Stage 2	-25.9	0.1	-0.16
Stage 2	-26.1	0.08	-0.14
Stage 2	-26.3	0.05	-0.11
Stage 2	-26.5	0.04	-0.09
Stage 2	-26.7	0.02	-0.07
Stage 2	-26.9	0.01	-0.05
Stage 2	-27.1	0	-0.03
Stage 2	-27.3	0	-0.02
Stage 2	-27.5	0	-0.01

Tabella Risultati Paratia A1+M1+R1 (R3 per tiranti) - Left Wall - Stage: Stage 3

Design Assumption: A1+M1+R1 (R3 per tiranti) Risultati Paratia		Muro: LEFT	
Stage	Z (m)	Momento (kN*m/m)	Taglio (kN/m)
Stage 3	-2.5	0	-0.38
Stage 3	-2.7	-0.08	-0.38
Stage 3	-2.9	-1.54	-7.3
Stage 3	-3.1	-4.45	-14.58
Stage 3	-3.3	-8.89	-22.19
Stage 3	-3.5	-14.91	-30.11
Stage 3	-3.7	-22.58	-38.32
Stage 3	-3.9	-31.94	-46.81
Stage 3	-4.1	-43.05	-55.57
Stage 3	-4.3	-56.1	-65.25
Stage 3	-4.5	-71.26	-75.78
Stage 3	-4.7	-51.66	97.99
Stage 3	-4.9	-34.46	85.98
Stage 3	-5.1	-19.8	73.34
Stage 3	-5.3	-8.79	55.04
Stage 3	-5.5	-0.03	43.77
Stage 3	-5.7	6.68	33.59
Stage 3	-5.9	11.66	24.89
Stage 3	-6.1	15.17	17.57
Stage 3	-6.3	17.28	10.55
Stage 3	-6.5	18.27	4.93
Stage 3	-6.7	18.38	0.55
Stage 3	-6.9	17.83	-2.76
Stage 3	-7.1	16.8	-5.15
Stage 3	-7.3	15.45	-6.76
Stage 3	-7.5	13.9	-7.75
Stage 3	-7.7	12.25	-8.22
Stage 3	-7.9	10.59	-8.3
Stage 3	-8.1	8.98	-8.07
Stage 3	-8.3	7.45	-7.62
Stage 3	-8.5	6.05	-7.02
Stage 3	-8.7	4.79	-6.32
Stage 3	-8.9	3.67	-5.59
Stage 3	-9.1	2.7	-4.84
Stage 3	-9.3	1.88	-4.11
Stage 3	-9.5	1.2	-3.42
Stage 3	-9.7	0.64	-2.78
Stage 3	-9.9	0.2	-2.2
Stage 3	-10.1	-0.14	-1.7
Stage 3	-10.3	-0.39	-1.25
Stage 3	-10.5	-0.56	-0.88
Stage 3	-10.7	-0.68	-0.56
Stage 3	-10.9	-0.74	-0.31
Stage 3	-11.1	-0.76	-0.11
Stage 3	-11.3	-0.75	0.05
Stage 3	-11.5	-0.72	0.17
Stage 3	-11.7	-0.67	0.25
Stage 3	-11.9	-0.61	0.3
Stage 3	-12.1	-0.54	0.33
Stage 3	-12.3	-0.47	0.34
Stage 3	-12.5	-0.41	0.34
Stage 3	-12.7	-0.34	0.32
Stage 3	-12.9	-0.28	0.3
Stage 3	-13.1	-0.23	0.28
Stage 3	-13.3	-0.18	0.25
Stage 3	-13.5	-0.13	0.22
Stage 3	-13.7	-0.1	0.19
Stage 3	-13.9	-0.07	0.16
Stage 3	-14.1	-0.04	0.13
Stage 3	-14.3	-0.02	0.11
Stage 3	-14.5	0	0.09
Stage 3	-14.7	0.01	0.07
Stage 3	-14.9	0.02	0.05
Stage 3	-15.1	0.03	0.04
Stage 3	-15.3	0.04	0.03
Stage 3	-15.5	0.04	0.02
Stage 3	-15.7	0.04	0.01

Design Assumption: A1+M1+R1 (R3 per tiranti) Risultati Paratia		Muro: LEFT	
Stage	Z (m)	Momento (kN*m/m)	Taglio (kN/m)
Stage 3	-15.9	0.05	0
Stage 3	-16.1	0.04	0
Stage 3	-16.3	0.04	-0.01
Stage 3	-16.5	0.04	-0.02
Stage 3	-16.7	0.04	-0.02
Stage 3	-16.9	0.03	-0.03
Stage 3	-17.1	0.02	-0.04
Stage 3	-17.3	0.01	-0.06
Stage 3	-17.5	0	-0.07
Stage 3	-17.7	-0.02	-0.09
Stage 3	-17.9	-0.04	-0.1
Stage 3	-18.1	-0.07	-0.13
Stage 3	-18.3	-0.1	-0.15
Stage 3	-18.5	-0.13	-0.18
Stage 3	-18.7	-0.17	-0.2
Stage 3	-18.9	-0.22	-0.23
Stage 3	-19.1	-0.27	-0.26
Stage 3	-19.3	-0.33	-0.28
Stage 3	-19.5	-0.39	-0.3
Stage 3	-19.7	-0.45	-0.31
Stage 3	-19.9	-0.51	-0.31
Stage 3	-20.1	-0.57	-0.3
Stage 3	-20.3	-0.63	-0.28
Stage 3	-20.5	-0.67	-0.23
Stage 3	-20.7	-0.71	-0.16
Stage 3	-20.9	-0.72	-0.06
Stage 3	-21.1	-0.7	0.07
Stage 3	-21.3	-0.66	0.25
Stage 3	-21.5	-0.56	0.46
Stage 3	-21.7	-0.42	0.73
Stage 3	-21.9	-0.21	1.05
Stage 3	-22.1	0.08	1.43
Stage 3	-22.3	0.3	1.09
Stage 3	-22.5	0.46	0.8
Stage 3	-22.7	0.57	0.55
Stage 3	-22.9	0.63	0.34
Stage 3	-23.1	0.67	0.17
Stage 3	-23.3	0.67	0.03
Stage 3	-23.5	0.66	-0.08
Stage 3	-23.7	0.63	-0.16
Stage 3	-23.9	0.58	-0.21
Stage 3	-24.1	0.53	-0.25
Stage 3	-24.3	0.48	-0.27
Stage 3	-24.5	0.42	-0.28
Stage 3	-24.7	0.37	-0.28
Stage 3	-24.9	0.31	-0.27
Stage 3	-25.1	0.26	-0.25
Stage 3	-25.3	0.22	-0.23
Stage 3	-25.5	0.17	-0.21
Stage 3	-25.7	0.14	-0.19
Stage 3	-25.9	0.1	-0.16
Stage 3	-26.1	0.08	-0.14
Stage 3	-26.3	0.05	-0.11
Stage 3	-26.5	0.04	-0.09
Stage 3	-26.7	0.02	-0.07
Stage 3	-26.9	0.01	-0.05
Stage 3	-27.1	0	-0.03
Stage 3	-27.3	0	-0.02
Stage 3	-27.5	0	-0.01

Tabella Risultati Paratia A1+M1+R1 (R3 per tiranti) - Left Wall - Stage: Stage 4

Design Assumption: A1+M1+R1 (R3 per tiranti) Risultati Paratia		Muro: LEFT	
Stage	Z (m)	Momento (kN*m/m)	Taglio (kN/m)
Stage 4	-2.5	0	-0.38
Stage 4	-2.7	-0.08	-0.38
Stage 4	-2.9	-1.85	-8.85
Stage 4	-3.1	-5.34	-17.46
Stage 4	-3.3	-10.58	-26.2
Stage 4	-3.5	-17.59	-35.06
Stage 4	-3.7	-26.39	-44
Stage 4	-3.9	-36.99	-53
Stage 4	-4.1	-49.41	-62.09
Stage 4	-4.3	-63.78	-71.88
Stage 4	-4.5	-80.23	-82.25
Stage 4	-4.7	-61.82	92.07
Stage 4	-4.9	-45.64	80.89
Stage 4	-5.1	-31.76	69.41
Stage 4	-5.3	-20.41	56.73
Stage 4	-5.5	-11.33	45.41
Stage 4	-5.7	-4.37	34.79
Stage 4	-5.9	0.7	25.38
Stage 4	-6.1	4.14	17.19
Stage 4	-6.3	6.48	11.71
Stage 4	-6.5	8.06	7.87
Stage 4	-6.7	9.17	5.59
Stage 4	-6.9	10.13	4.78
Stage 4	-7.1	11.09	4.78
Stage 4	-7.3	12.04	4.78
Stage 4	-7.5	13	4.78
Stage 4	-7.7	13.96	4.78
Stage 4	-7.9	14.91	4.78
Stage 4	-8.1	15.87	4.78
Stage 4	-8.3	16.83	4.78
Stage 4	-8.5	17.78	4.78
Stage 4	-8.7	18.74	4.78
Stage 4	-8.9	19.7	4.78
Stage 4	-9.1	20.65	4.78
Stage 4	-9.3	21.61	4.78
Stage 4	-9.5	22.57	4.78
Stage 4	-9.7	23.52	4.78
Stage 4	-9.9	24.48	4.78
Stage 4	-10.1	25.44	4.78
Stage 4	-10.3	26.39	4.78
Stage 4	-10.5	27.35	4.78
Stage 4	-10.7	28.31	4.78
Stage 4	-10.9	29.26	4.78
Stage 4	-11.1	30.22	4.78
Stage 4	-11.3	31.18	4.78
Stage 4	-11.5	32.13	4.78
Stage 4	-11.7	33.09	4.78
Stage 4	-11.9	34.05	4.78
Stage 4	-12.1	35	4.78
Stage 4	-12.3	35.96	4.78
Stage 4	-12.5	36.92	4.78
Stage 4	-12.7	37.87	4.78
Stage 4	-12.9	38.83	4.78
Stage 4	-13.1	39.79	4.78
Stage 4	-13.3	40.74	4.78
Stage 4	-13.5	41.7	4.78
Stage 4	-13.7	42.66	4.78
Stage 4	-13.9	43.61	4.78
Stage 4	-14.1	44.57	4.78
Stage 4	-14.3	45.53	4.78
Stage 4	-14.5	46.48	4.78
Stage 4	-14.7	47.44	4.78
Stage 4	-14.9	48.4	4.78
Stage 4	-15.1	49.35	4.78
Stage 4	-15.3	50.31	4.78
Stage 4	-15.5	51.27	4.78
Stage 4	-15.7	52.22	4.78

Design Assumption: A1+M1+R1 (R3 per tiranti) Risultati Paratia		Muro: LEFT	
Stage	Z (m)	Momento (kN*m/m)	Taglio (kN/m)
Stage 4	-15.9	53.18	4.78
Stage 4	-16.1	54.14	4.78
Stage 4	-16.3	55.09	4.78
Stage 4	-16.5	56.05	4.78
Stage 4	-16.7	57.01	4.78
Stage 4	-16.9	57.96	4.78
Stage 4	-17.1	58.92	4.78
Stage 4	-17.3	59.88	4.78
Stage 4	-17.5	60.83	4.78
Stage 4	-17.7	61.79	4.78
Stage 4	-17.9	62.75	4.78
Stage 4	-18.1	63.7	4.78
Stage 4	-18.3	64.66	4.78
Stage 4	-18.5	65.62	4.78
Stage 4	-18.7	66.57	4.78
Stage 4	-18.9	67.53	4.78
Stage 4	-19.1	68.49	4.78
Stage 4	-19.3	69.44	4.78
Stage 4	-19.5	70.4	4.78
Stage 4	-19.7	71.36	4.78
Stage 4	-19.9	72.31	4.78
Stage 4	-20.1	72.97	3.31
Stage 4	-20.3	72.99	0.08
Stage 4	-20.5	71.99	-4.99
Stage 4	-20.7	69.6	-11.95
Stage 4	-20.9	65.43	-20.88
Stage 4	-21.1	59.06	-31.85
Stage 4	-21.3	50.52	-42.69
Stage 4	-21.5	40.28	-51.21
Stage 4	-21.7	28.78	-57.47
Stage 4	-21.9	16.48	-61.51
Stage 4	-22.1	3.81	-63.35
Stage 4	-22.3	-9.71	-67.6
Stage 4	-22.5	-23.28	-67.86
Stage 4	-22.7	-36.1	-64.12
Stage 4	-22.9	-47.38	-56.38
Stage 4	-23.1	-56.3	-44.59
Stage 4	-23.3	-62.69	-31.95
Stage 4	-23.5	-66.83	-20.73
Stage 4	-23.7	-69.01	-10.87
Stage 4	-23.9	-69.47	-2.3
Stage 4	-24.1	-68.46	5.04
Stage 4	-24.3	-66.21	11.23
Stage 4	-24.5	-62.95	16.34
Stage 4	-24.7	-58.85	20.45
Stage 4	-24.9	-54.13	23.64
Stage 4	-25.1	-48.94	25.96
Stage 4	-25.3	-43.44	27.48
Stage 4	-25.5	-37.79	28.26
Stage 4	-25.7	-32.12	28.35
Stage 4	-25.9	-26.56	27.79
Stage 4	-26.1	-21.23	26.62
Stage 4	-26.3	-16.26	24.86
Stage 4	-26.5	-11.76	22.53
Stage 4	-26.7	-7.83	19.66
Stage 4	-26.9	-4.58	16.24
Stage 4	-27.1	-2.12	12.29
Stage 4	-27.3	-0.56	7.81
Stage 4	-27.5	0	2.78

Tabella Risultati Paratia A1+M1+R1 (R3 per tiranti) - Left Wall - Stage: Stage A

Design Assumption: A1+M1+R1 (R3 per tiranti) Risultati Paratia		Muro: LEFT	
Stage	Z (m)	Momento (kN*m/m)	Taglio (kN/m)
Stage A	-2.5	0	-0.38
Stage A	-2.7	-0.08	-0.38
Stage A	-2.9	-1.87	-8.95
Stage A	-3.1	-5.4	-17.66
Stage A	-3.3	-10.69	-26.49
Stage A	-3.5	-17.78	-35.42
Stage A	-3.7	-26.66	-44.43
Stage A	-3.9	-37.36	-53.5
Stage A	-4.1	-49.89	-62.64
Stage A	-4.3	-64.39	-72.47
Stage A	-4.5	-80.97	-82.91
Stage A	-4.7	-62.69	91.36
Stage A	-4.9	-46.66	80.15
Stage A	-5.1	-32.94	68.64
Stage A	-5.3	-21.75	55.93
Stage A	-5.5	-12.82	44.64
Stage A	-5.7	-6	34.09
Stage A	-5.9	-1.04	24.82
Stage A	-6.1	2.32	16.82
Stage A	-6.3	4.65	11.64
Stage A	-6.5	6.29	8.17
Stage A	-6.7	7.56	6.34
Stage A	-6.9	8.77	6.05
Stage A	-7.1	9.98	6.05
Stage A	-7.3	11.19	6.05
Stage A	-7.5	12.4	6.05
Stage A	-7.7	13.61	6.05
Stage A	-7.9	14.82	6.05
Stage A	-8.1	16.03	6.05
Stage A	-8.3	17.24	6.05
Stage A	-8.5	18.45	6.05
Stage A	-8.7	19.66	6.05
Stage A	-8.9	20.88	6.05
Stage A	-9.1	22.09	6.05
Stage A	-9.3	23.3	6.05
Stage A	-9.5	24.51	6.05
Stage A	-9.7	25.72	6.05
Stage A	-9.9	26.93	6.05
Stage A	-10.1	28.14	6.05
Stage A	-10.3	29.35	6.05
Stage A	-10.5	30.56	6.05
Stage A	-10.7	31.77	6.05
Stage A	-10.9	32.98	6.05
Stage A	-11.1	34.2	6.05
Stage A	-11.3	35.41	6.05
Stage A	-11.5	36.62	6.05
Stage A	-11.7	37.83	6.05
Stage A	-11.9	39.04	6.05
Stage A	-12.1	40.25	6.05
Stage A	-12.3	41.46	6.05
Stage A	-12.5	42.67	6.05
Stage A	-12.7	43.88	6.05
Stage A	-12.9	45.09	6.05
Stage A	-13.1	46.3	6.05
Stage A	-13.3	47.52	6.05
Stage A	-13.5	48.73	6.05
Stage A	-13.7	49.94	6.05
Stage A	-13.9	51.15	6.05
Stage A	-14.1	52.36	6.05
Stage A	-14.3	53.57	6.05
Stage A	-14.5	54.78	6.05
Stage A	-14.7	55.99	6.05
Stage A	-14.9	57.2	6.05
Stage A	-15.1	58.41	6.05
Stage A	-15.3	59.62	6.05
Stage A	-15.5	60.84	6.05
Stage A	-15.7	62.05	6.05

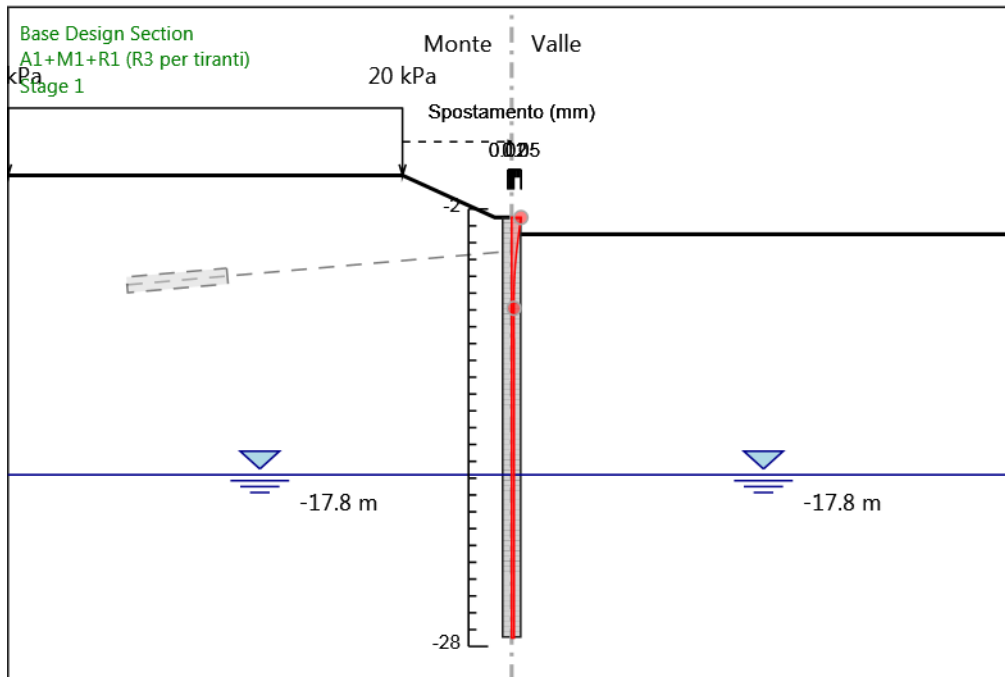
Design Assumption: A1+M1+R1 (R3 per tiranti) Risultati Paratia		Muro: LEFT	
Stage	Z (m)	Momento (kN*m/m)	Taglio (kN/m)
Stage A	-15.9	63.26	6.05
Stage A	-16.1	64.47	6.05
Stage A	-16.3	65.68	6.05
Stage A	-16.5	66.89	6.05
Stage A	-16.7	68.1	6.05
Stage A	-16.9	69.31	6.05
Stage A	-17.1	70.52	6.05
Stage A	-17.3	71.73	6.05
Stage A	-17.5	72.94	6.05
Stage A	-17.7	74.15	6.05
Stage A	-17.9	75.37	6.05
Stage A	-18.1	76.55	5.93
Stage A	-18.3	77.67	5.57
Stage A	-18.5	78.66	4.95
Stage A	-18.7	79.47	4.07
Stage A	-18.9	80.05	2.91
Stage A	-19.1	80.35	1.46
Stage A	-19.3	80.29	-0.29
Stage A	-19.5	79.82	-2.36
Stage A	-19.7	78.87	-4.75
Stage A	-19.9	77.42	-7.24
Stage A	-20.1	75.16	-11.3
Stage A	-20.3	71.71	-17.22
Stage A	-20.5	66.71	-25.03
Stage A	-20.7	59.82	-34.46
Stage A	-20.9	50.7	-45.57
Stage A	-21.1	39.02	-58.41
Stage A	-21.3	26.95	-60.36
Stage A	-21.5	14.42	-62.67
Stage A	-21.7	1.53	-64.44
Stage A	-21.9	-11.54	-65.32
Stage A	-22.1	-24.55	-65.08
Stage A	-22.3	-37.77	-66.08
Stage A	-22.5	-50.53	-63.79
Stage A	-22.7	-62.14	-58.1
Stage A	-22.9	-71.92	-48.9
Stage A	-23.1	-79.14	-36.09
Stage A	-23.3	-83.7	-22.79
Stage A	-23.5	-85.94	-11.21
Stage A	-23.7	-86.19	-1.25
Stage A	-23.9	-84.75	7.21
Stage A	-24.1	-81.9	14.26
Stage A	-24.3	-77.89	20.04
Stage A	-24.5	-72.96	24.63
Stage A	-24.7	-67.34	28.14
Stage A	-24.9	-61.2	30.68
Stage A	-25.1	-54.74	32.31
Stage A	-25.3	-48.11	33.14
Stage A	-25.5	-41.47	33.22
Stage A	-25.7	-34.94	32.62
Stage A	-25.9	-28.66	31.4
Stage A	-26.1	-22.74	29.6
Stage A	-26.3	-17.29	27.25
Stage A	-26.5	-12.41	24.39
Stage A	-26.7	-8.21	21.03
Stage A	-26.9	-4.77	17.19
Stage A	-27.1	-2.19	12.88
Stage A	-27.3	-0.57	8.1
Stage A	-27.5	0	2.86

Tabella Risultati Paratia A1+M1+R1 (R3 per tiranti) - Left Wall - Stage: Stage 5

Design Assumption: A1+M1+R1 (R3 per tiranti) Risultati Paratia		Muro: LEFT	
Stage	Z (m)	Momento (kN*m/m)	Taglio (kN/m)
Stage 5	-2.5	0	-0.38
Stage 5	-2.7	-0.08	-0.38
Stage 5	-2.9	-1.87	-8.95
Stage 5	-3.1	-5.4	-17.66
Stage 5	-3.3	-10.69	-26.49
Stage 5	-3.5	-17.78	-35.42
Stage 5	-3.7	-26.66	-44.43
Stage 5	-3.9	-37.36	-53.5
Stage 5	-4.1	-49.89	-62.64
Stage 5	-4.3	-64.39	-72.47
Stage 5	-4.5	-80.97	-82.91
Stage 5	-4.7	-62.69	91.36
Stage 5	-4.9	-46.66	80.15
Stage 5	-5.1	-32.94	68.64
Stage 5	-5.3	-21.75	55.93
Stage 5	-5.5	-12.82	44.64
Stage 5	-5.7	-6	34.09
Stage 5	-5.9	-1.04	24.82
Stage 5	-6.1	2.32	16.82
Stage 5	-6.3	4.65	11.64
Stage 5	-6.5	6.29	8.17
Stage 5	-6.7	7.56	6.34
Stage 5	-6.9	8.77	6.05
Stage 5	-7.1	9.98	6.05
Stage 5	-7.3	11.19	6.05
Stage 5	-7.5	12.4	6.05
Stage 5	-7.7	13.61	6.05
Stage 5	-7.9	14.82	6.05
Stage 5	-8.1	16.03	6.05
Stage 5	-8.3	17.24	6.05
Stage 5	-8.5	18.45	6.05
Stage 5	-8.7	19.67	6.05
Stage 5	-8.9	20.88	6.05
Stage 5	-9.1	22.09	6.05
Stage 5	-9.3	23.3	6.05
Stage 5	-9.5	24.51	6.05
Stage 5	-9.7	25.72	6.05
Stage 5	-9.9	26.93	6.05
Stage 5	-10.1	28.14	6.05
Stage 5	-10.3	29.35	6.05
Stage 5	-10.5	30.56	6.05
Stage 5	-10.7	31.77	6.05
Stage 5	-10.9	32.99	6.05
Stage 5	-11.1	34.2	6.05
Stage 5	-11.3	35.41	6.05
Stage 5	-11.5	36.62	6.05
Stage 5	-11.7	37.83	6.05
Stage 5	-11.9	39.04	6.05
Stage 5	-12.1	40.25	6.05
Stage 5	-12.3	41.46	6.05
Stage 5	-12.5	42.67	6.05
Stage 5	-12.7	43.88	6.05
Stage 5	-12.9	45.09	6.05
Stage 5	-13.1	46.31	6.05
Stage 5	-13.3	47.52	6.05
Stage 5	-13.5	48.73	6.05
Stage 5	-13.7	49.94	6.05
Stage 5	-13.9	51.15	6.05
Stage 5	-14.1	52.36	6.05
Stage 5	-14.3	53.57	6.05
Stage 5	-14.5	54.78	6.05
Stage 5	-14.7	55.99	6.05
Stage 5	-14.9	57.2	6.05
Stage 5	-15.1	58.42	6.05
Stage 5	-15.3	59.63	6.05
Stage 5	-15.5	60.84	6.05
Stage 5	-15.7	62.05	6.05

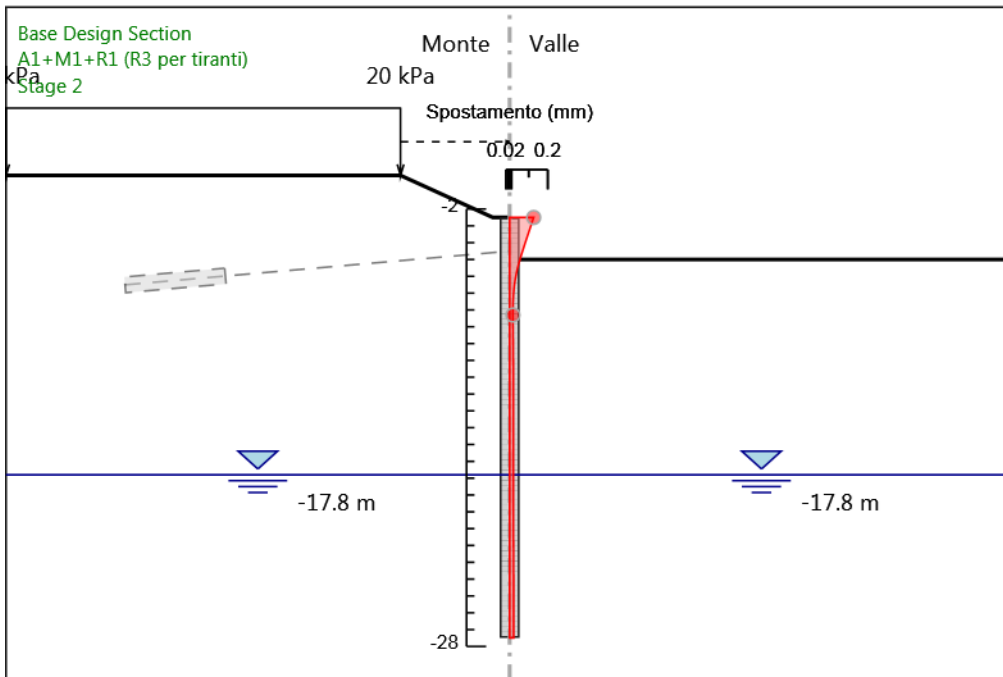
Design Assumption: A1+M1+R1 (R3 per tiranti) Risultati Paratia		Muro: LEFT	
Stage	Z (m)	Momento (kN*m/m)	Taglio (kN/m)
Stage 5	-15.9	63.26	6.05
Stage 5	-16.1	64.47	6.05
Stage 5	-16.3	65.68	6.05
Stage 5	-16.5	66.89	6.05
Stage 5	-16.7	68.1	6.05
Stage 5	-16.9	69.31	6.05
Stage 5	-17.1	70.52	6.05
Stage 5	-17.3	71.73	6.05
Stage 5	-17.5	72.94	6.05
Stage 5	-17.7	74.16	6.05
Stage 5	-17.9	75.37	6.05
Stage 5	-18.1	76.55	5.93
Stage 5	-18.3	77.66	5.56
Stage 5	-18.5	78.65	4.95
Stage 5	-18.7	79.47	4.07
Stage 5	-18.9	80.05	2.91
Stage 5	-19.1	80.34	1.46
Stage 5	-19.3	80.28	-0.3
Stage 5	-19.5	79.81	-2.37
Stage 5	-19.7	78.85	-4.76
Stage 5	-19.9	77.41	-7.24
Stage 5	-20.1	75.15	-11.29
Stage 5	-20.3	71.71	-17.21
Stage 5	-20.5	66.7	-25.02
Stage 5	-20.7	59.81	-34.45
Stage 5	-20.9	50.7	-45.56
Stage 5	-21.1	39.02	-58.4
Stage 5	-21.3	26.95	-60.35
Stage 5	-21.5	14.42	-62.66
Stage 5	-21.7	1.53	-64.44
Stage 5	-21.9	-11.53	-65.32
Stage 5	-22.1	-24.55	-65.08
Stage 5	-22.3	-37.76	-66.08
Stage 5	-22.5	-50.52	-63.79
Stage 5	-22.7	-62.14	-58.1
Stage 5	-22.9	-71.92	-48.9
Stage 5	-23.1	-79.14	-36.09
Stage 5	-23.3	-83.7	-22.79
Stage 5	-23.5	-85.94	-11.21
Stage 5	-23.7	-86.19	-1.25
Stage 5	-23.9	-84.75	7.21
Stage 5	-24.1	-81.9	14.26
Stage 5	-24.3	-77.89	20.04
Stage 5	-24.5	-72.96	24.63
Stage 5	-24.7	-67.33	28.14
Stage 5	-24.9	-61.2	30.67
Stage 5	-25.1	-54.74	32.31
Stage 5	-25.3	-48.11	33.14
Stage 5	-25.5	-41.47	33.22
Stage 5	-25.7	-34.94	32.62
Stage 5	-25.9	-28.66	31.4
Stage 5	-26.1	-22.74	29.6
Stage 5	-26.3	-17.29	27.25
Stage 5	-26.5	-12.41	24.39
Stage 5	-26.7	-8.21	21.03
Stage 5	-26.9	-4.77	17.19
Stage 5	-27.1	-2.19	12.88
Stage 5	-27.3	-0.57	8.1
Stage 5	-27.5	0	2.86

Grafico Spostamento A1+M1+R1 (R3 per tiranti) - Stage: Stage 1



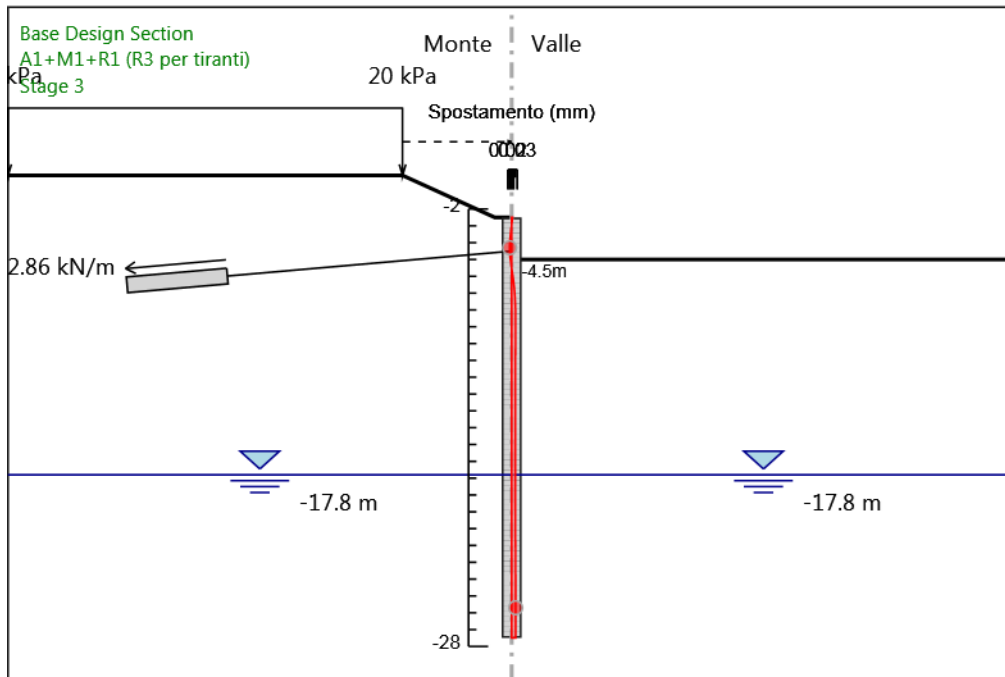
Design Assumption: A1+M1+R1 (R3 per tiranti)
Stage: Stage 1
Spostamento

Grafico Spostamento A1+M1+R1 (R3 per tiranti) - Stage: Stage 2



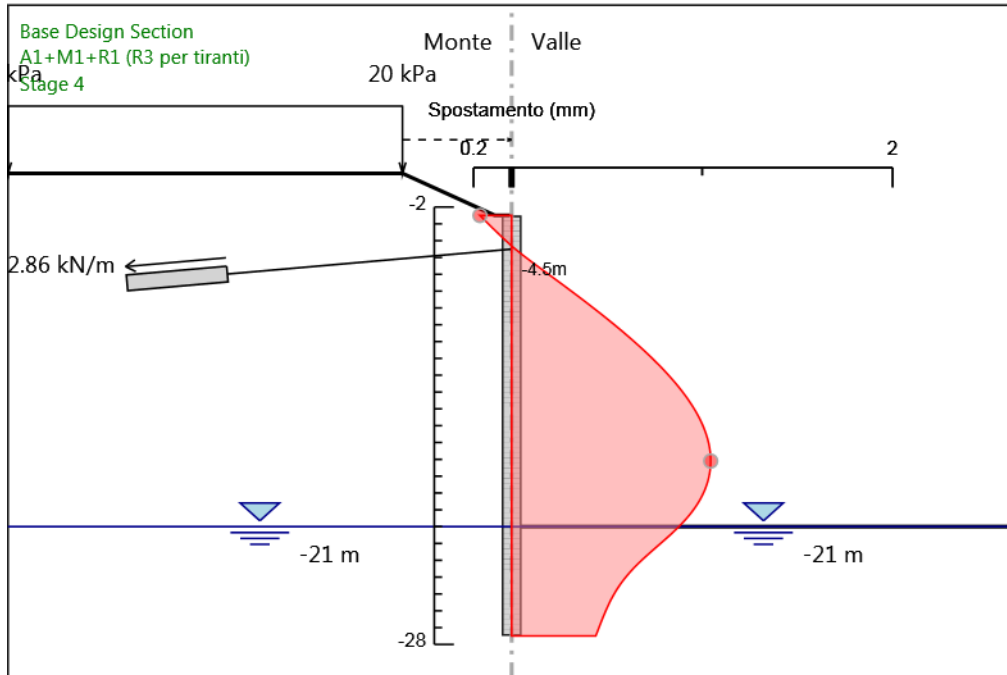
Design Assumption: A1+M1+R1 (R3 per tiranti)
Stage: Stage 2
Spostamento

Grafico Spostamento A1+M1+R1 (R3 per tiranti) - Stage: Stage 3



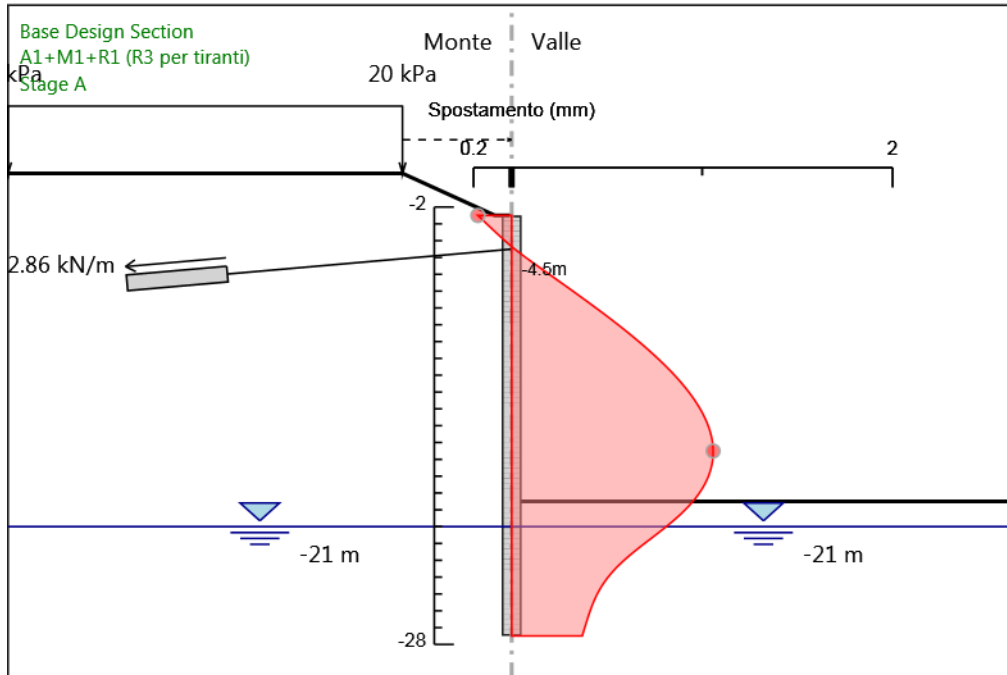
Design Assumption: A1+M1+R1 (R3 per tiranti)
Stage: Stage 3
Spostamento

Grafico Spostamento A1+M1+R1 (R3 per tiranti) - Stage: Stage 4



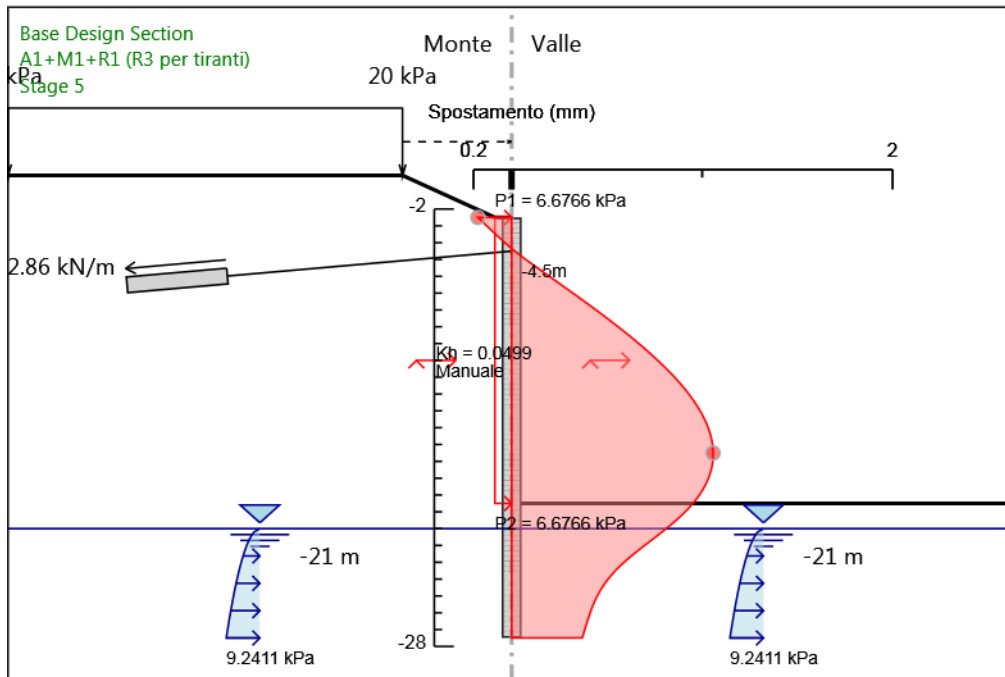
Design Assumption: A1+M1+R1 (R3 per tiranti)
Stage: Stage 4
Spostamento

Grafico Spostamento A1+M1+R1 (R3 per tiranti) - Stage: Stage A



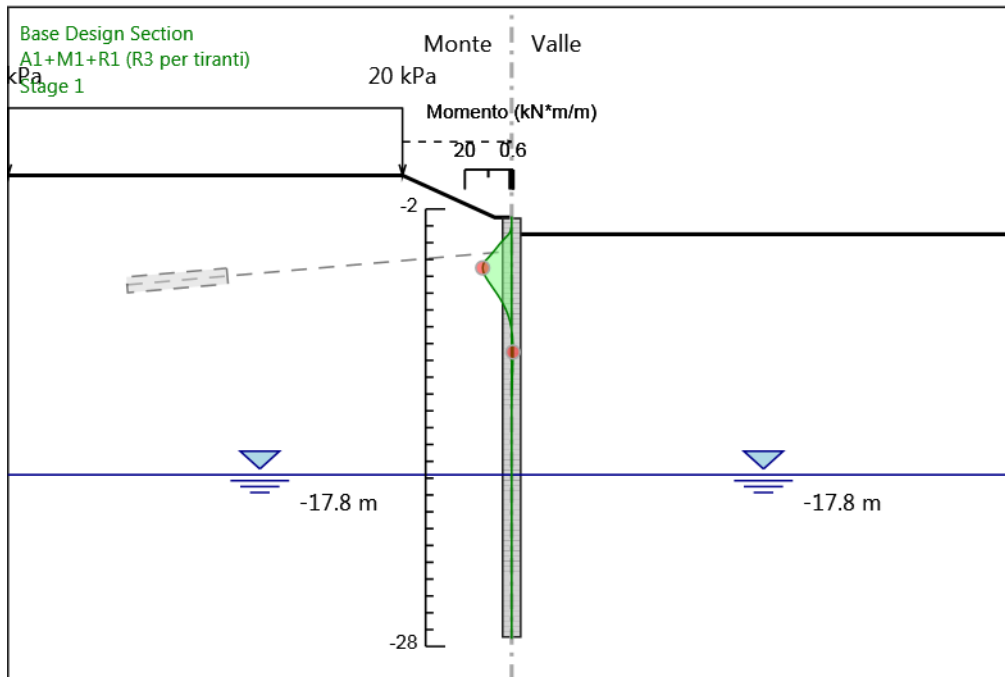
Design Assumption: A1+M1+R1 (R3 per tiranti)
Stage: Stage A
Spostamento

Grafico Spostamento A1+M1+R1 (R3 per tiranti) - Stage: Stage 5



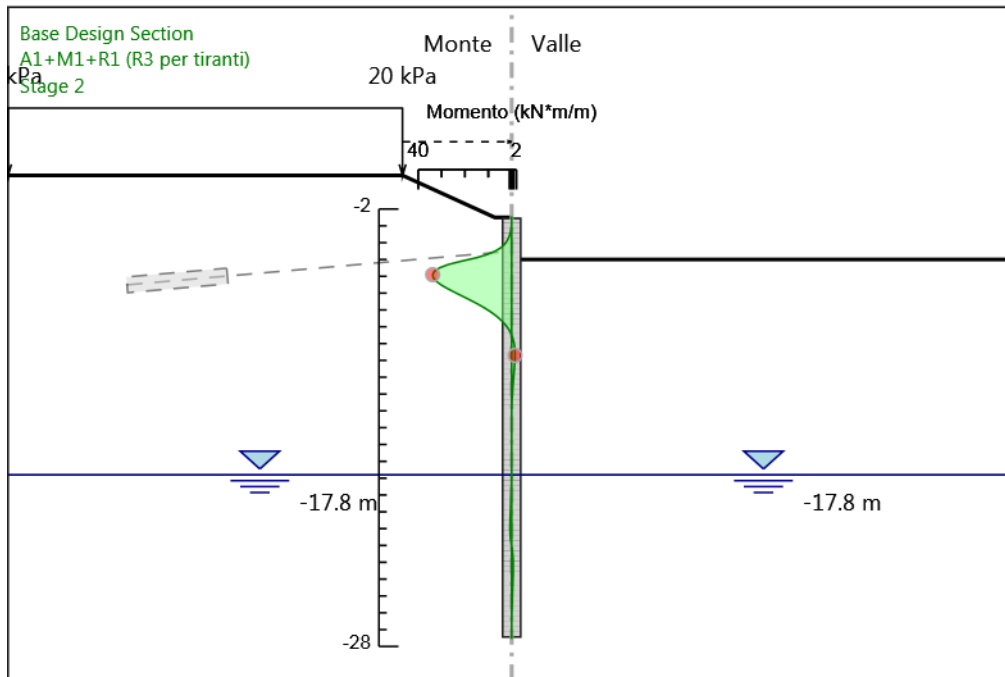
Design Assumption: A1+M1+R1 (R3 per tiranti)
Stage: Stage 5
Spostamento

Grafico Risultati Momento A1+M1+R1 (R3 per tiranti) - Stage: Stage 1



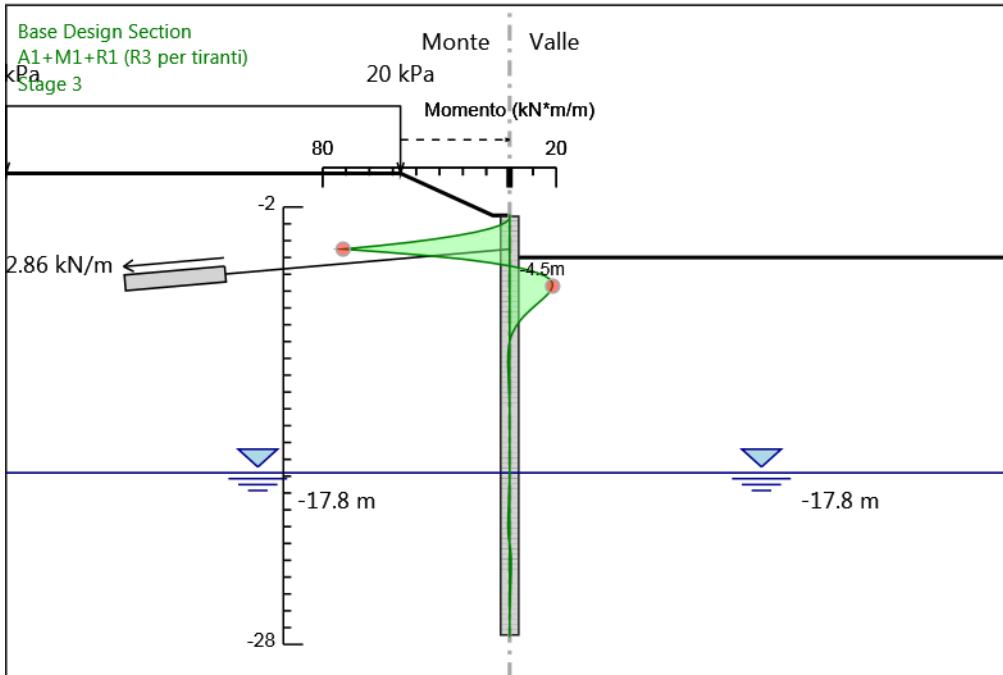
Design Assumption: A1+M1+R1 (R3 per tiranti)
Stage: Stage 1
Momento

Grafico Risultati Momento A1+M1+R1 (R3 per tiranti) - Stage: Stage 2



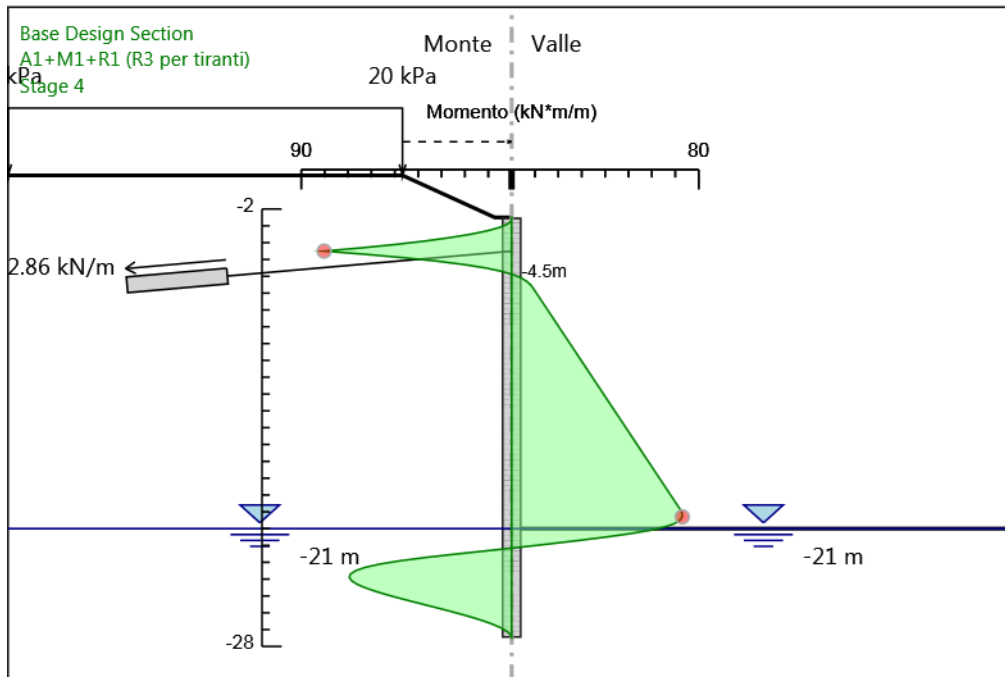
Design Assumption: A1+M1+R1 (R3 per tiranti)
Stage: Stage 2
Momento

Grafico Risultati Momento A1+M1+R1 (R3 per tiranti) - Stage: Stage 3



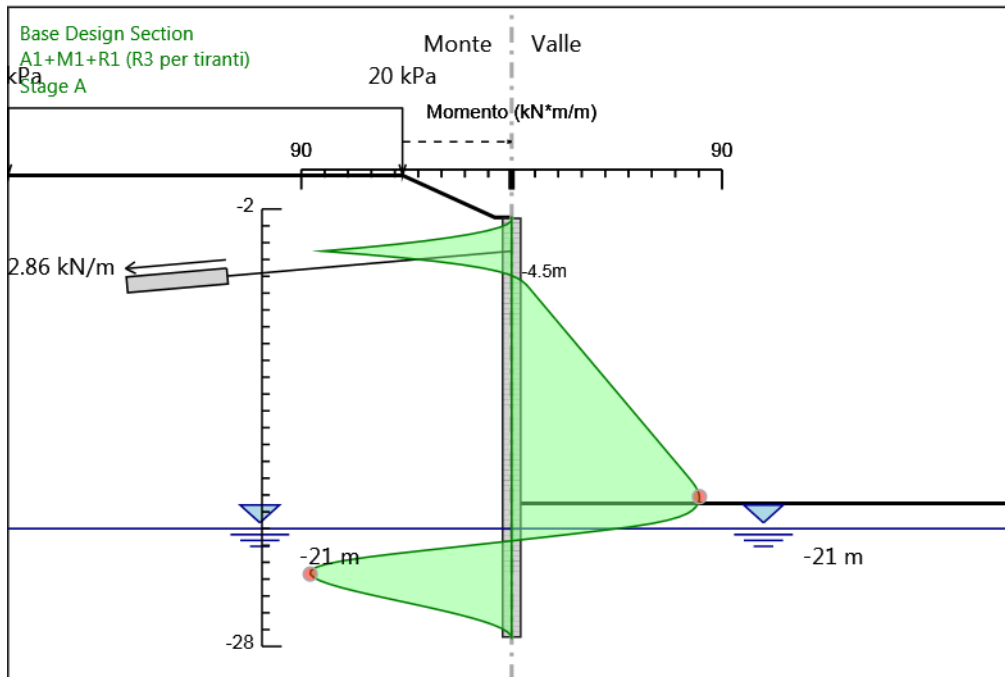
Design Assumption: A1+M1+R1 (R3 per tiranti)
Stage: Stage 3
Momento

Grafico Risultati Momento A1+M1+R1 (R3 per tiranti) - Stage: Stage 4



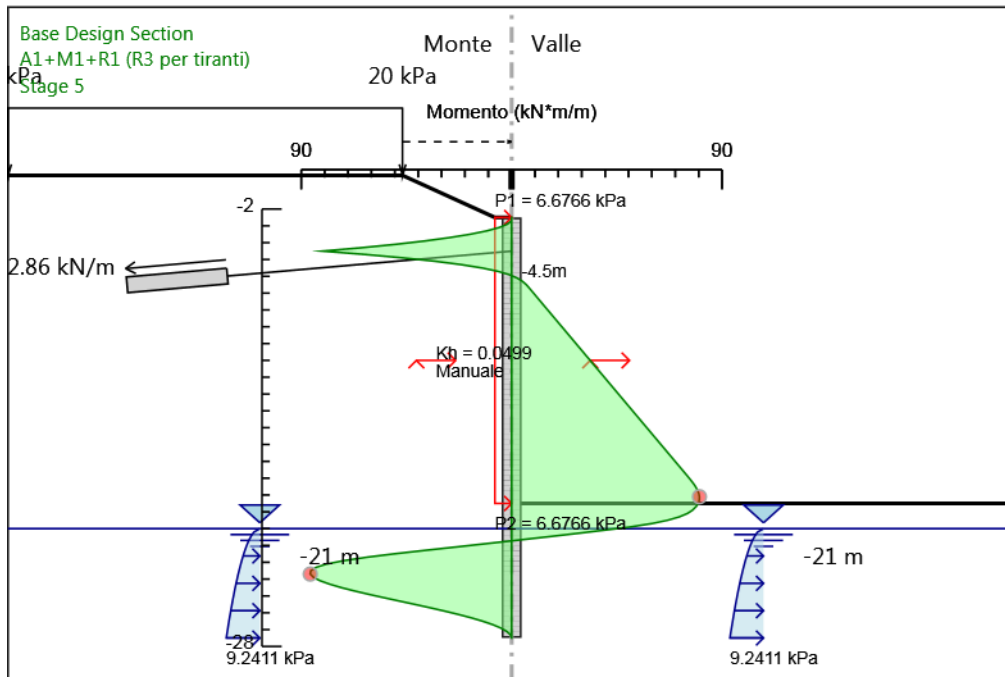
Design Assumption: A1+M1+R1 (R3 per tiranti)
Stage: Stage 4
Momento

Grafico Risultati Momento A1+M1+R1 (R3 per tiranti) - Stage: Stage A



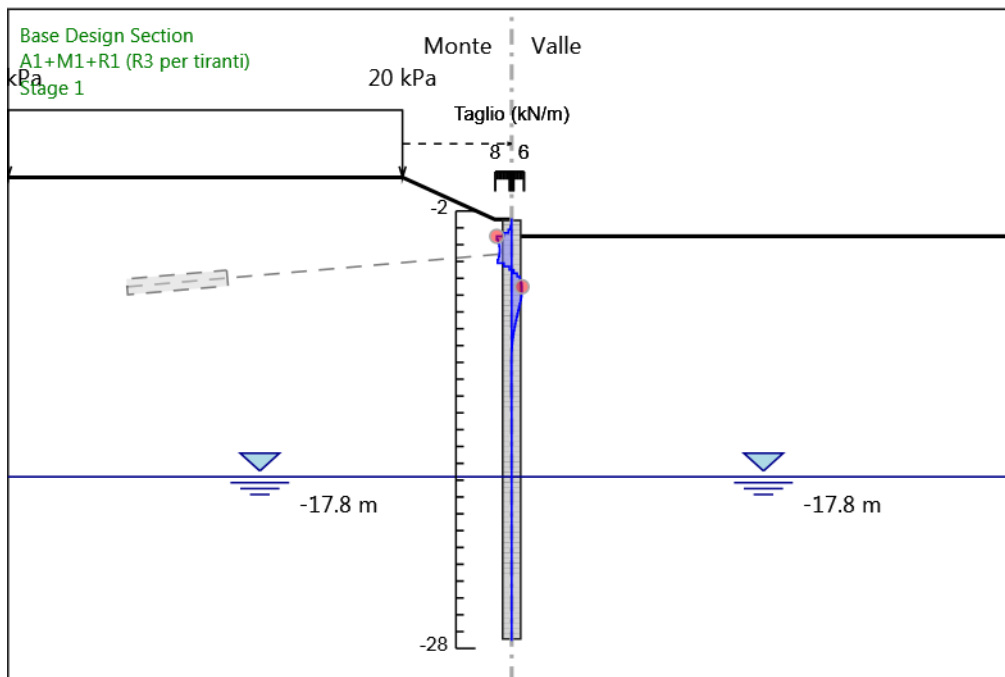
Design Assumption: A1+M1+R1 (R3 per tiranti)
Stage: Stage A
Momento

Grafico Risultati Momento A1+M1+R1 (R3 per tiranti) - Stage: Stage 5



Design Assumption: A1+M1+R1 (R3 per tiranti)
 Stage: Stage 5
 Momento

Grafico Risultati Taglio A1+M1+R1 (R3 per tiranti) - Stage: Stage 1

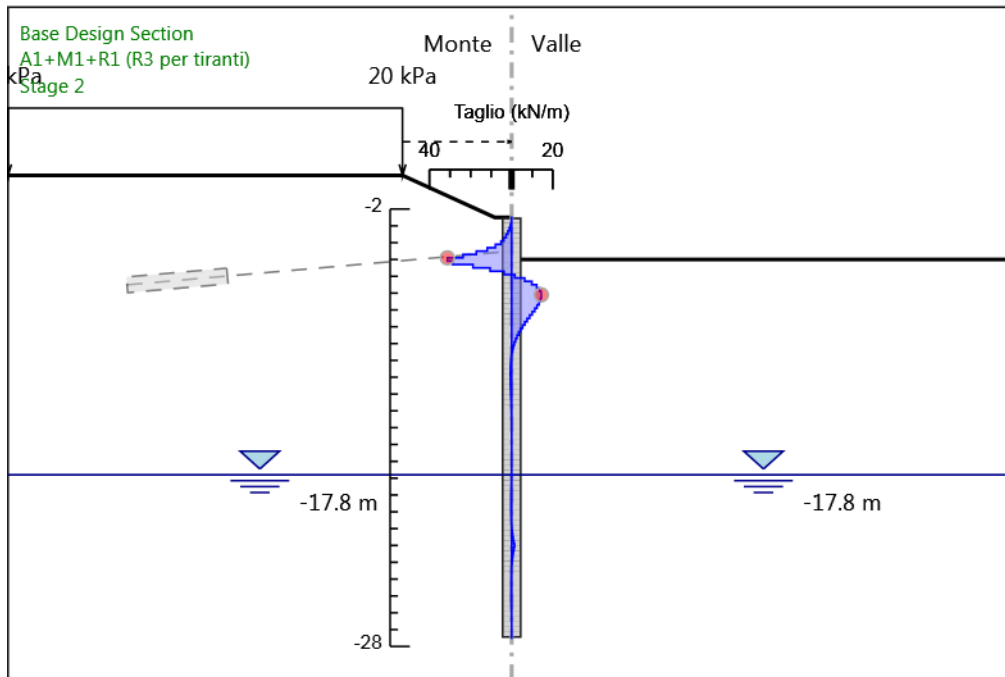


Design Assumption: A1+M1+R1 (R3 per tiranti)

Stage: Stage 1

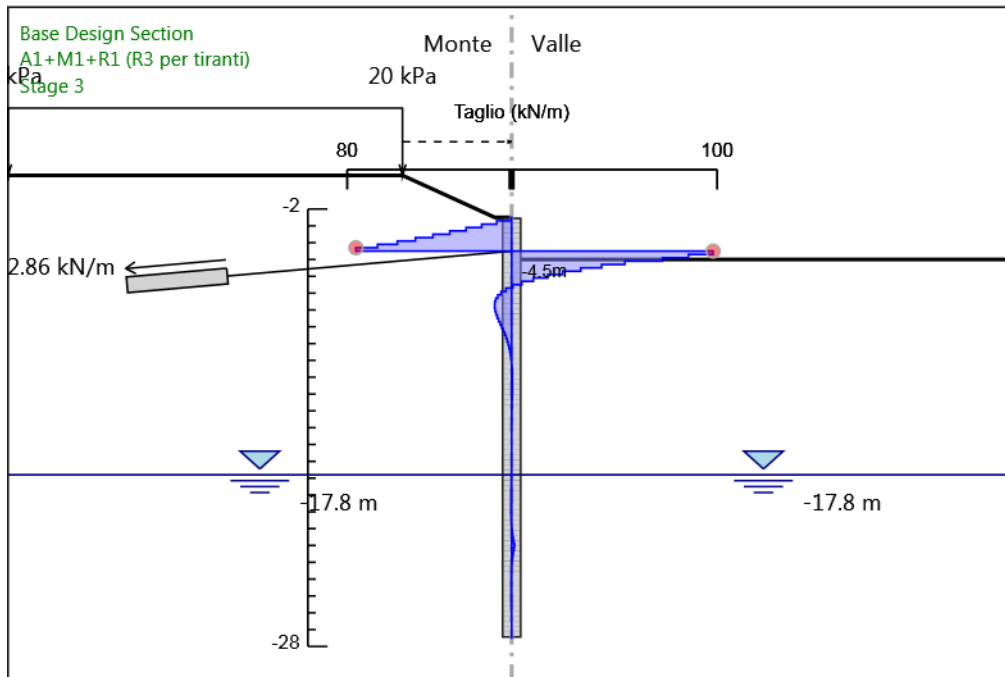
Taglio

Grafico Risultati Taglio A1+M1+R1 (R3 per tiranti) - Stage: Stage 2



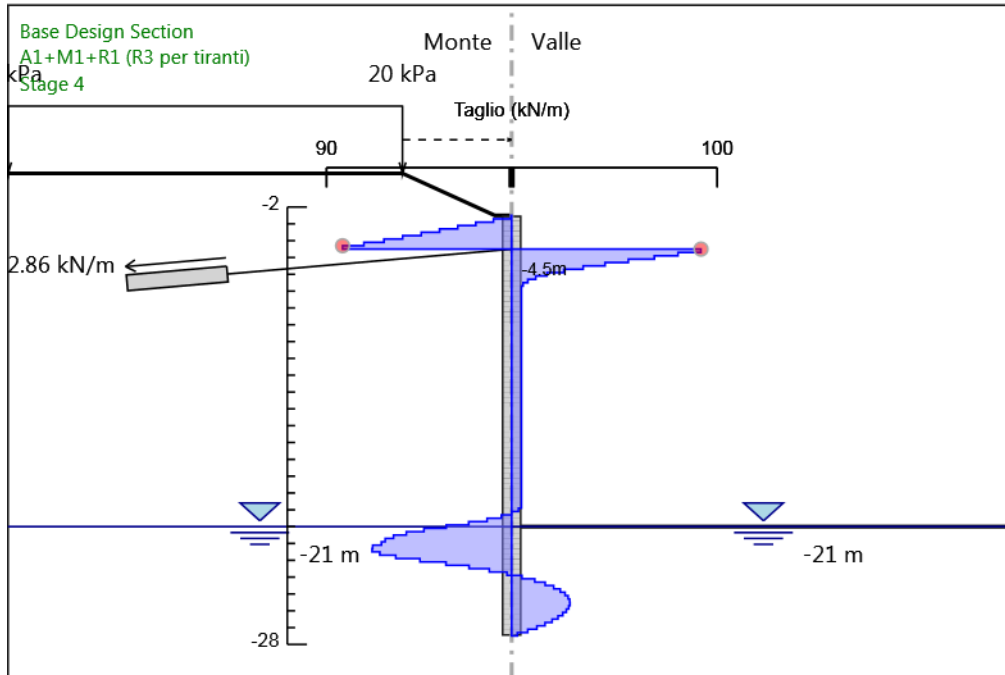
Design Assumption: A1+M1+R1 (R3 per tiranti)
Stage: Stage 2
Taglio

Grafico Risultati Taglio A1+M1+R1 (R3 per tiranti) - Stage: Stage 3



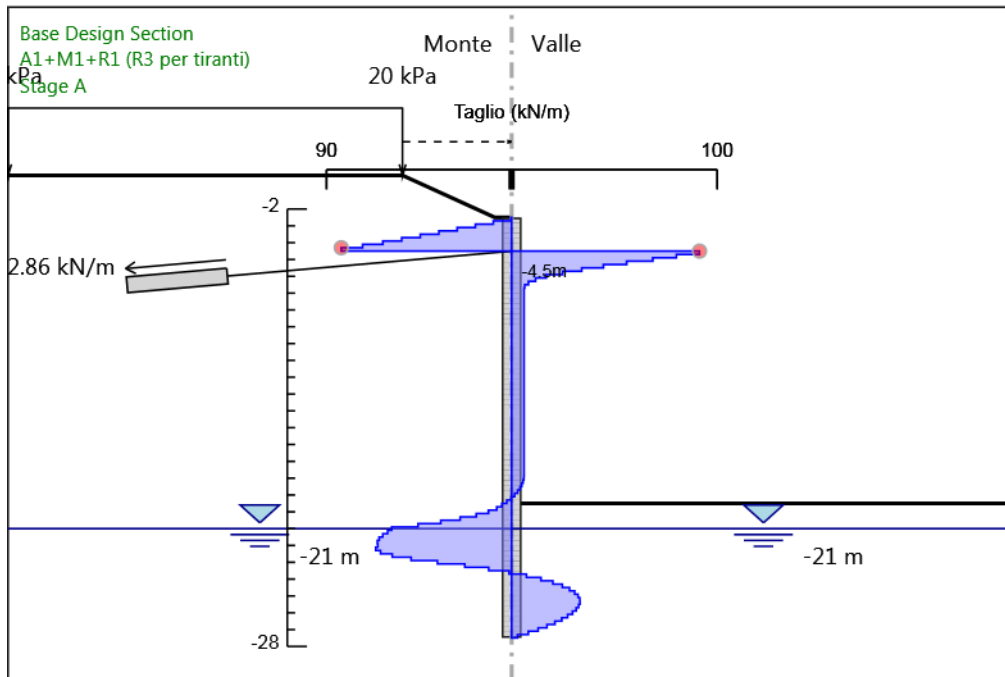
Design Assumption: A1+M1+R1 (R3 per tiranti)
Stage: Stage 3
Taglio

Grafico Risultati Taglio A1+M1+R1 (R3 per tiranti) - Stage: Stage 4



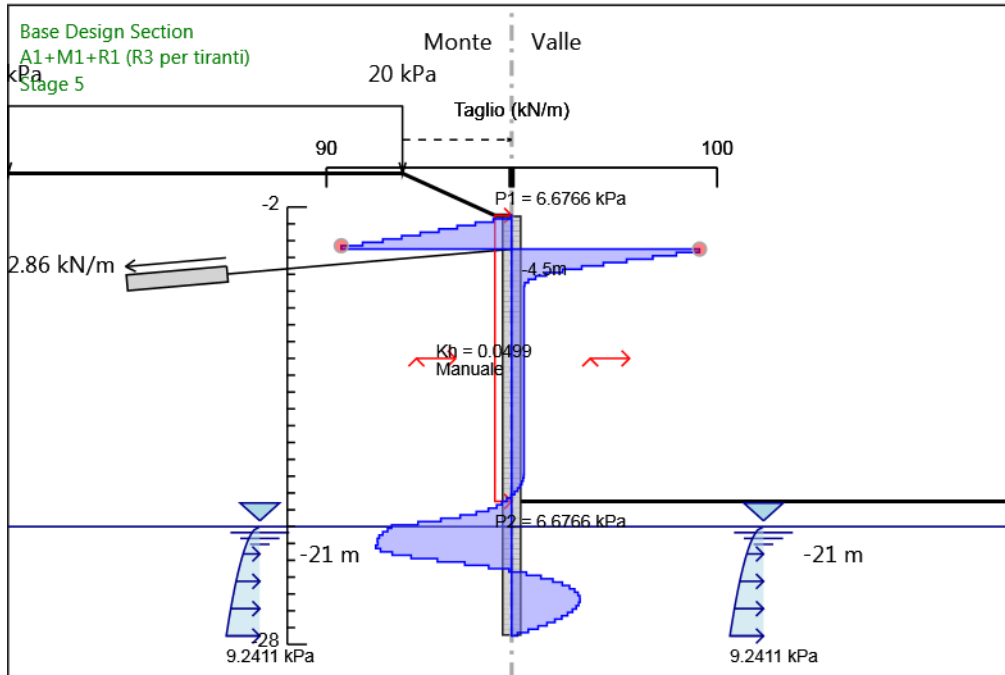
Design Assumption: A1+M1+R1 (R3 per tiranti)
Stage: Stage 4
Taglio

Grafico Risultati Taglio A1+M1+R1 (R3 per tiranti) - Stage: Stage A



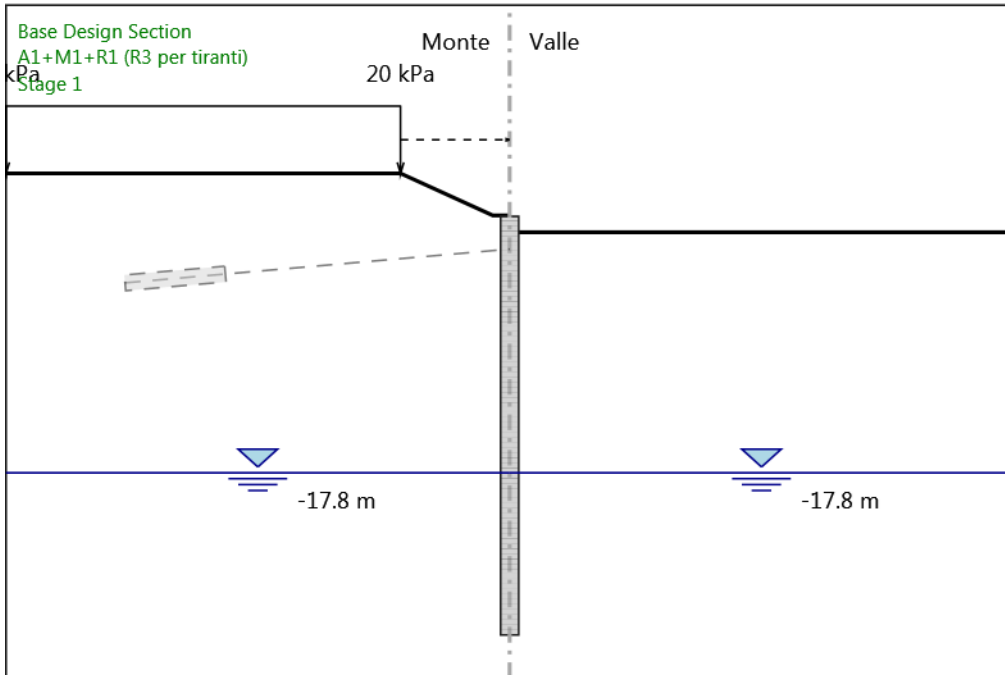
Design Assumption: A1+M1+R1 (R3 per tiranti)
Stage: Stage A
Taglio

Grafico Risultati Taglio A1+M1+R1 (R3 per tiranti) - Stage: Stage 5



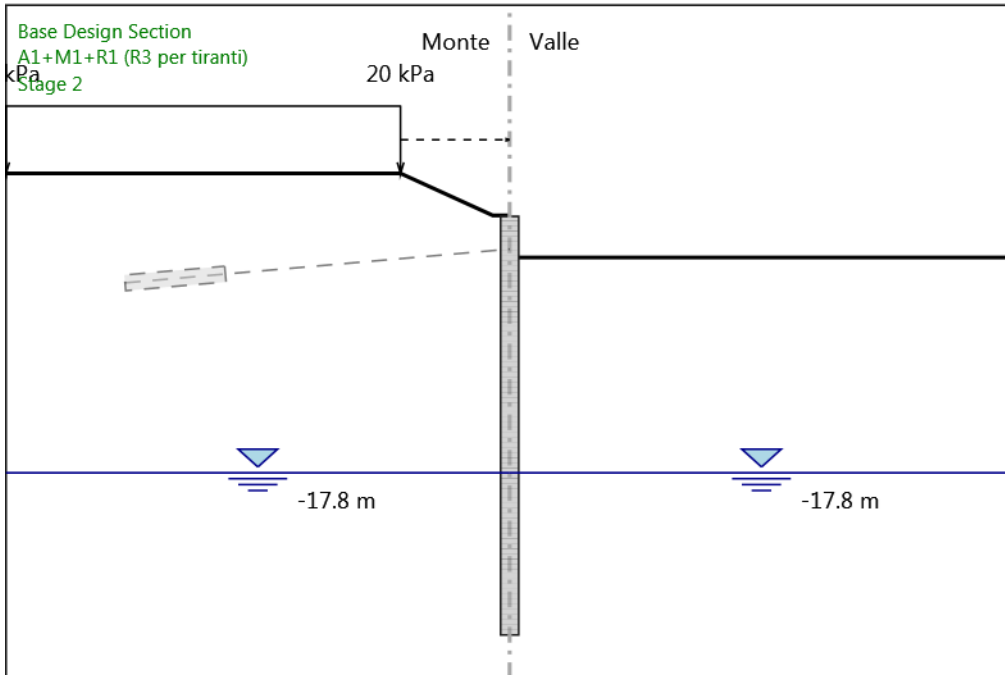
Design Assumption: A1+M1+R1 (R3 per tiranti)
Stage: Stage 5
Taglio

Grafico Risultati Momento A1+M1+R1 (R3 per tiranti) - Stage: Stage 1



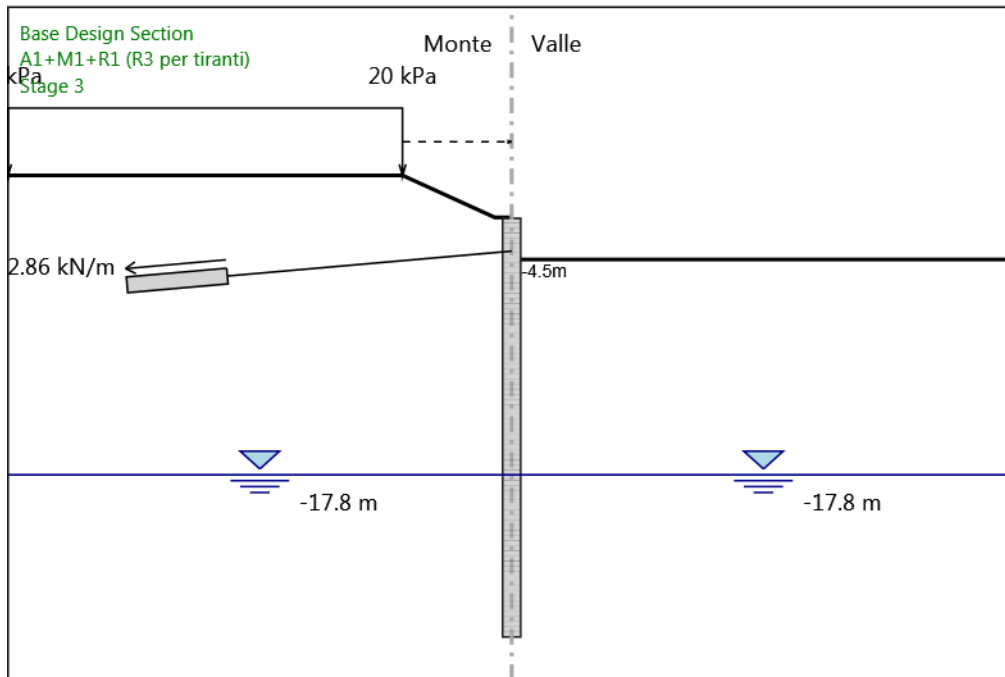
Design Assumption: A1+M1+R1 (R3 per tiranti)
Stage: Stage 1
Momento

Grafico Risultati Momento A1+M1+R1 (R3 per tiranti) - Stage: Stage 2



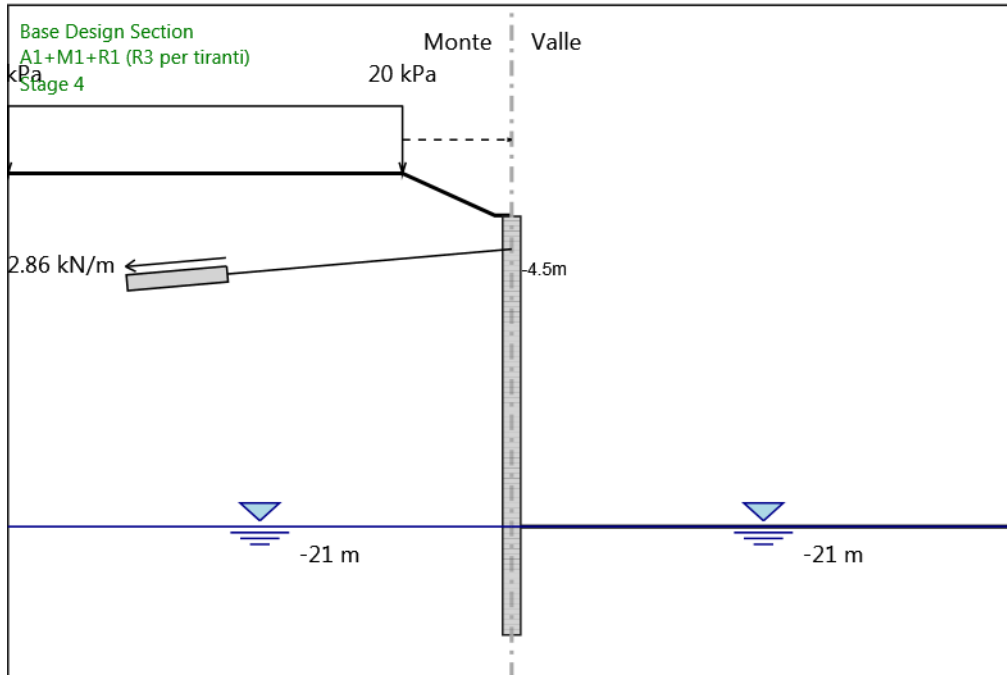
Design Assumption: A1+M1+R1 (R3 per tiranti)
Stage: Stage 2
Momento

Grafico Risultati Momento A1+M1+R1 (R3 per tiranti) - Stage: Stage 3



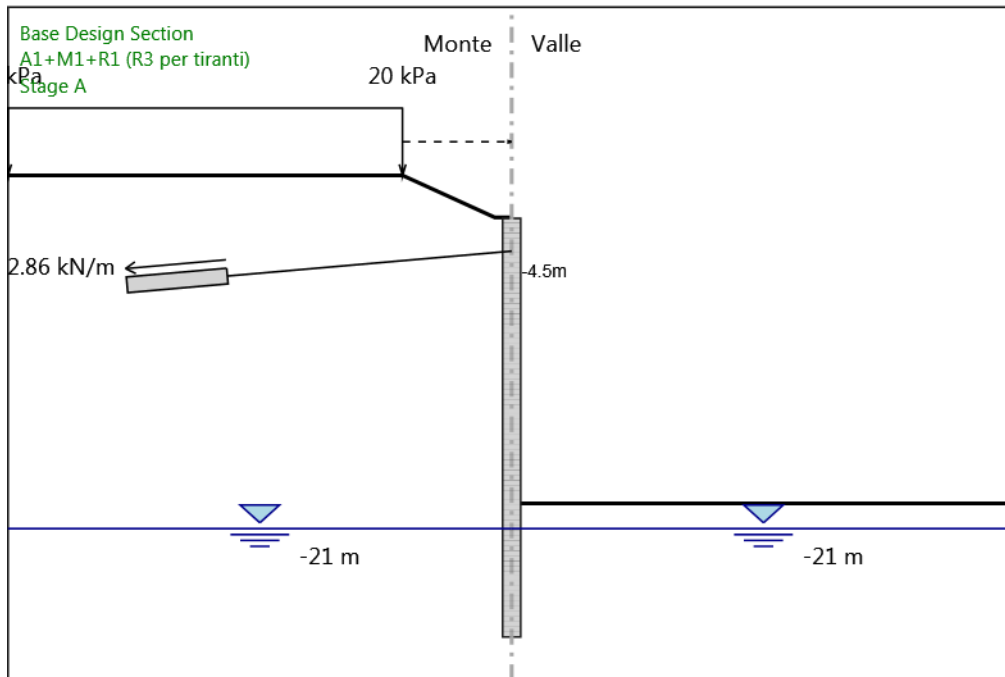
Design Assumption: A1+M1+R1 (R3 per tiranti)
Stage: Stage 3
Momento

Grafico Risultati Momento A1+M1+R1 (R3 per tiranti) - Stage: Stage 4



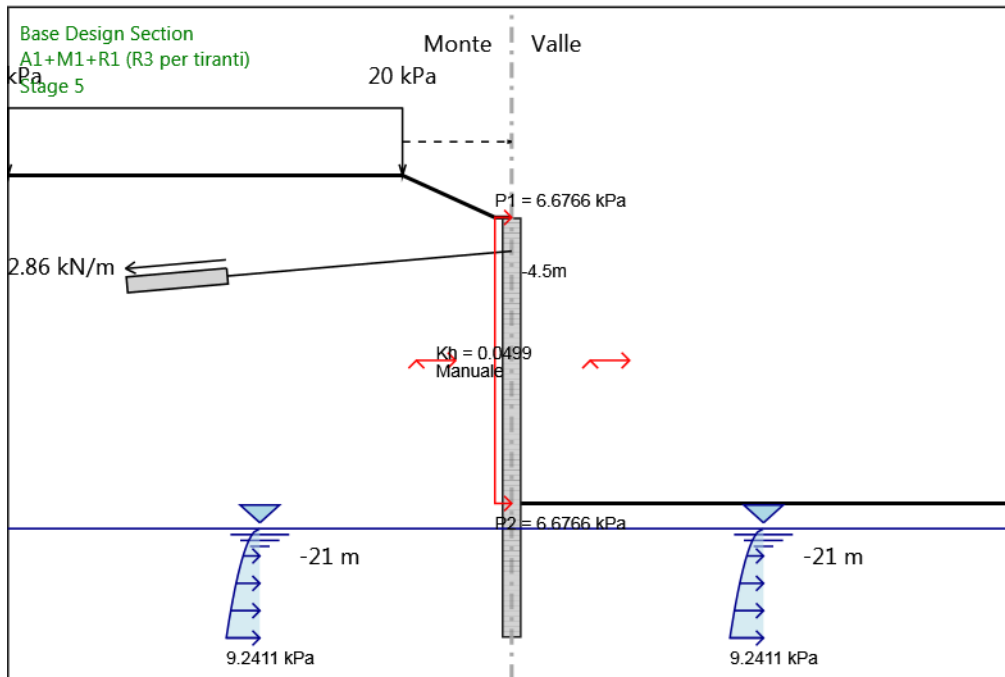
Design Assumption: A1+M1+R1 (R3 per tiranti)
Stage: Stage 4
Momento

Grafico Risultati Momento A1+M1+R1 (R3 per tiranti) - Stage: Stage A



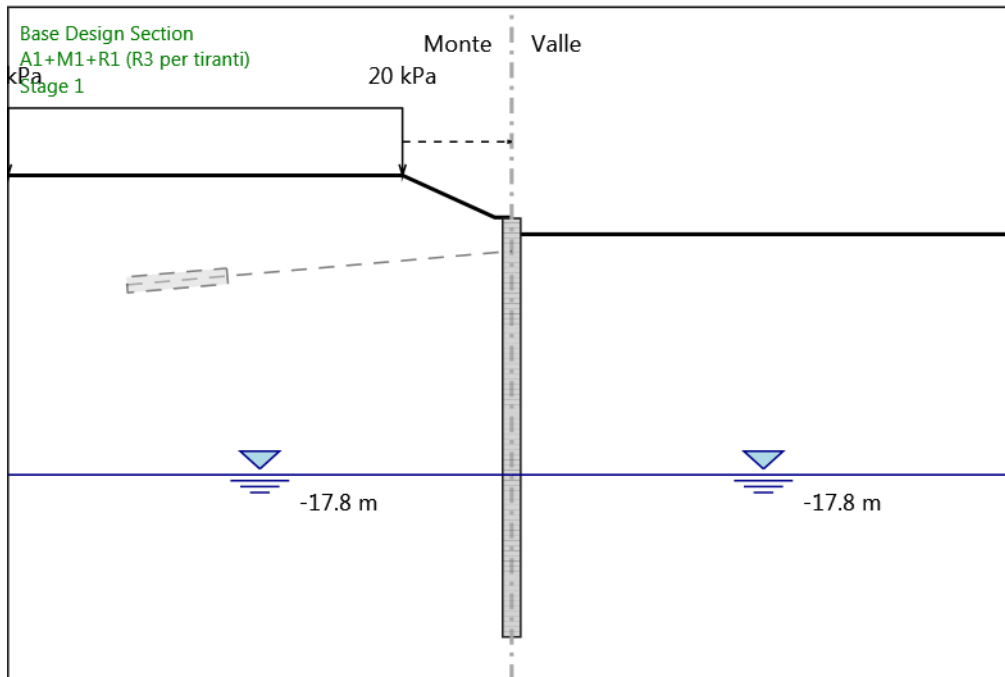
Design Assumption: A1+M1+R1 (R3 per tiranti)
Stage: Stage A
Momento

Grafico Risultati Momento A1+M1+R1 (R3 per tiranti) - Stage: Stage 5



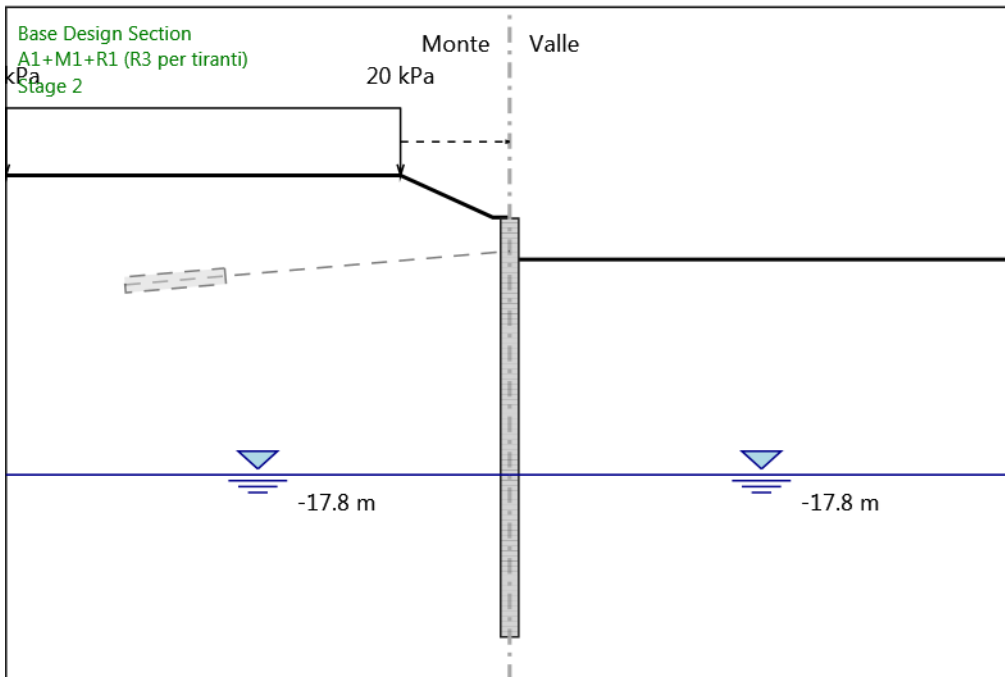
Design Assumption: A1+M1+R1 (R3 per tiranti)
Stage: Stage 5
Momento

Grafico Risultati Taglio A1+M1+R1 (R3 per tiranti) - Stage: Stage 1



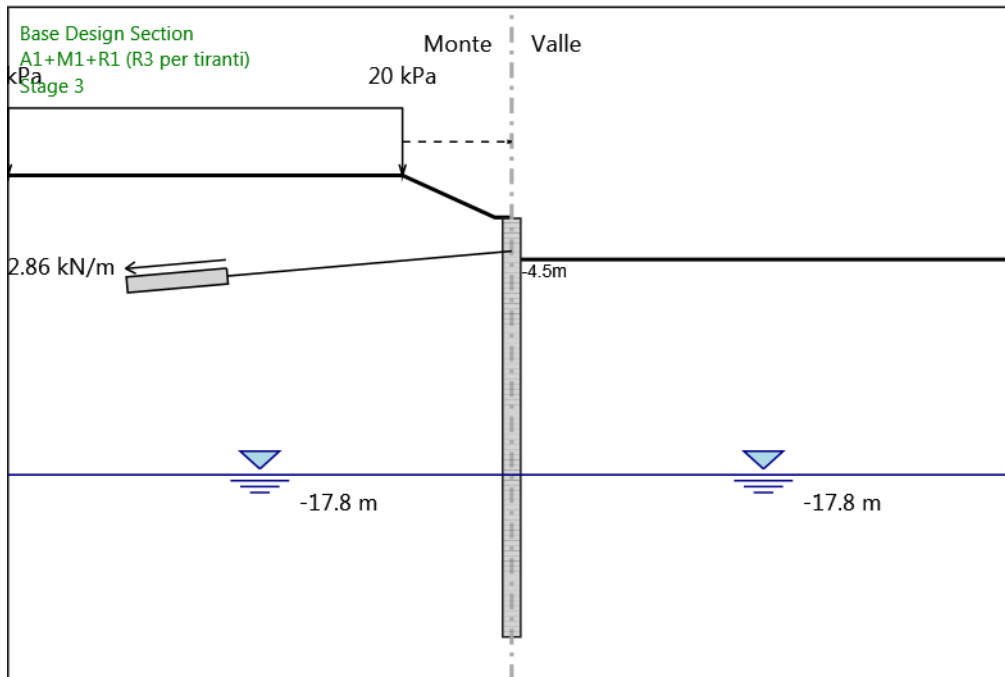
Design Assumption: A1+M1+R1 (R3 per tiranti)
Stage: Stage 1
Taglio

Grafico Risultati Taglio A1+M1+R1 (R3 per tiranti) - Stage: Stage 2



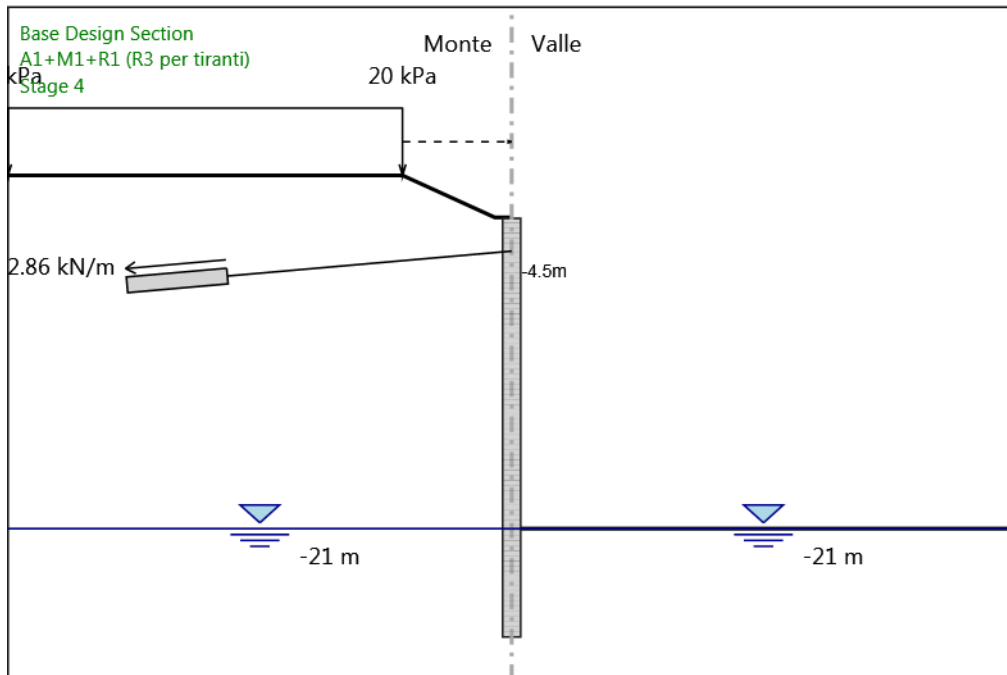
Design Assumption: A1+M1+R1 (R3 per tiranti)
Stage: Stage 2
Taglio

Grafico Risultati Taglio A1+M1+R1 (R3 per tiranti) - Stage: Stage 3



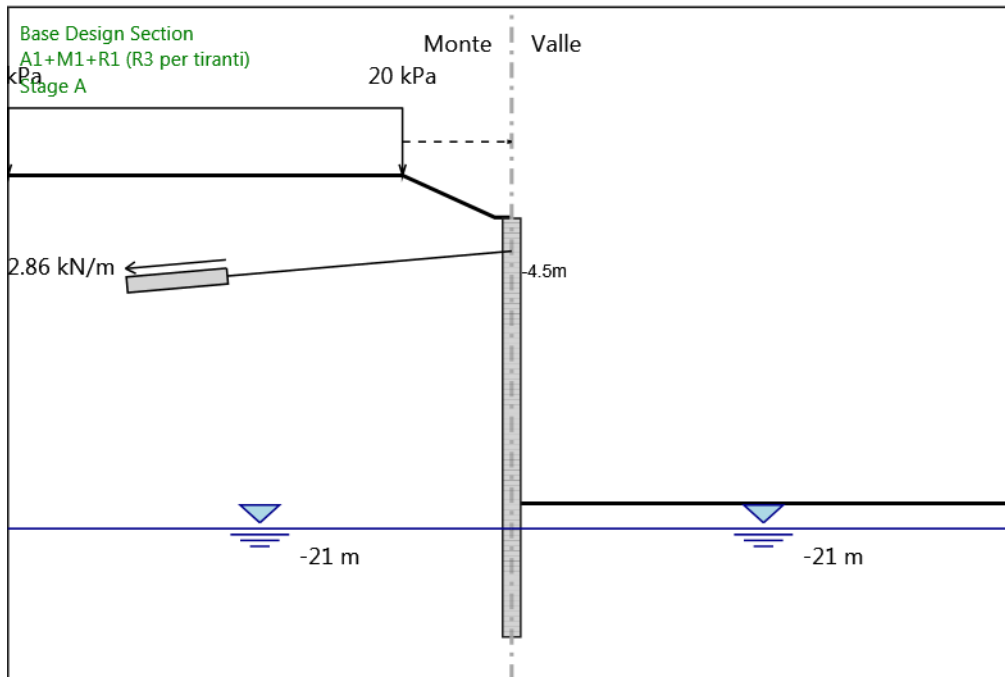
Design Assumption: A1+M1+R1 (R3 per tiranti)
Stage: Stage 3
Taglio

Grafico Risultati Taglio A1+M1+R1 (R3 per tiranti) - Stage: Stage 4



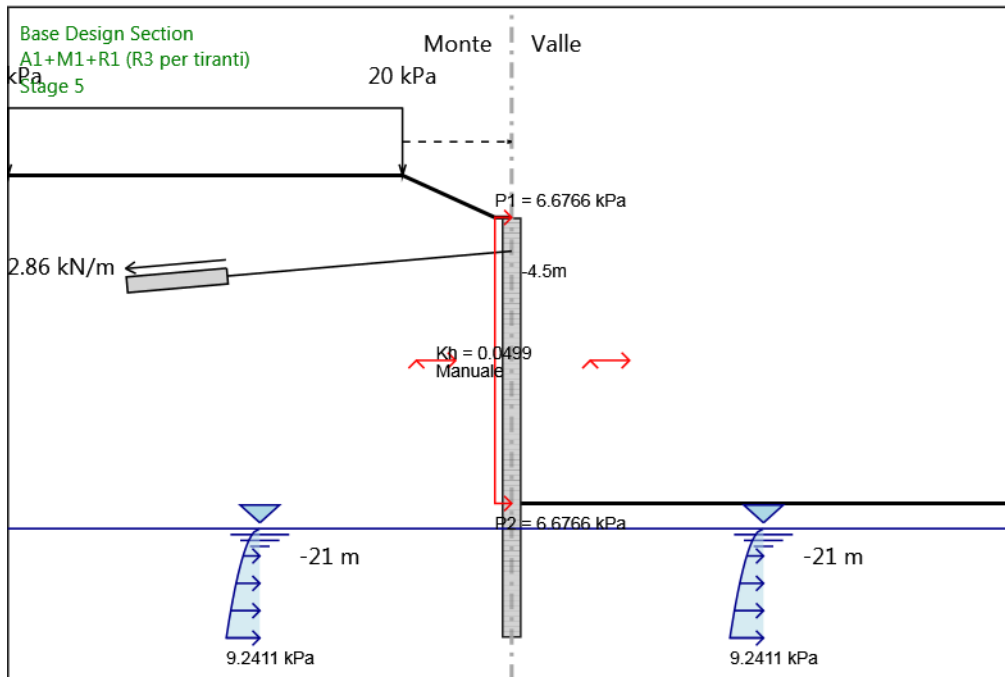
Design Assumption: A1+M1+R1 (R3 per tiranti)
Stage: Stage 4
Taglio

Grafico Risultati Taglio A1+M1+R1 (R3 per tiranti) - Stage: Stage A



Design Assumption: A1+M1+R1 (R3 per tiranti)
Stage: Stage A
Taglio

Grafico Risultati Taglio A1+M1+R1 (R3 per tiranti) - Stage: Stage 5



Design Assumption: A1+M1+R1 (R3 per tiranti)
Stage: Stage 5
Taglio

Risultati Elementi strutturali - A1+M1+R1 (R3 per tiranti)

Design Assumption: A1+M1+R1 (R3 per tiranti) Sollecitazione Tieback

Stage	Forza (kN/m)
Stage 3	185.77
Stage 4	185.8467
Stage A	185.83916
Stage 5	185.83916

Risultati A2+M2+R1

Tabella Risultati Paratia A2+M2+R1 - Left Wall - Stage: Stage 1

Design Assumption: A2+M2+R1 Risultati Paratia		Muro: LEFT	
Stage	Z (m)	Momento (kN*m/m)	Taglio (kN/m)
Stage 1	-2.5	0	-0.01
Stage 1	-2.7	0	-0.01
Stage 1	-2.9	-0.04	-0.2
Stage 1	-3.1	-0.15	-0.57
Stage 1	-3.3	-0.46	-1.55
Stage 1	-3.5	-1.16	-3.48
Stage 1	-3.7	-2.43	-6.32
Stage 1	-3.9	-3.57	-5.7
Stage 1	-4.1	-4.62	-5.26
Stage 1	-4.3	-5.62	-5
Stage 1	-4.5	-6.6	-4.9
Stage 1	-4.7	-7.59	-4.97
Stage 1	-4.9	-8.63	-5.2
Stage 1	-5.1	-9.75	-5.58
Stage 1	-5.3	-10.35	-3.03
Stage 1	-5.5	-10.54	-0.94
Stage 1	-5.7	-10.39	0.76
Stage 1	-5.9	-9.97	2.11
Stage 1	-6.1	-9.34	3.15
Stage 1	-6.3	-8.6	3.68
Stage 1	-6.5	-7.8	4.01
Stage 1	-6.7	-6.97	4.16
Stage 1	-6.9	-6.13	4.18
Stage 1	-7.1	-5.31	4.08
Stage 1	-7.3	-4.53	3.9
Stage 1	-7.5	-3.8	3.65
Stage 1	-7.7	-3.13	3.36
Stage 1	-7.9	-2.52	3.04
Stage 1	-8.1	-1.98	2.72
Stage 1	-8.3	-1.5	2.39
Stage 1	-8.5	-1.09	2.07
Stage 1	-8.7	-0.74	1.76
Stage 1	-8.9	-0.44	1.48
Stage 1	-9.1	-0.2	1.21
Stage 1	-9.3	0	0.98
Stage 1	-9.5	0.15	0.76
Stage 1	-9.7	0.27	0.58
Stage 1	-9.9	0.35	0.42
Stage 1	-10.1	0.41	0.28
Stage 1	-10.3	0.44	0.17
Stage 1	-10.5	0.45	0.07
Stage 1	-10.7	0.45	0
Stage 1	-10.9	0.44	-0.06
Stage 1	-11.1	0.42	-0.11
Stage 1	-11.3	0.39	-0.14
Stage 1	-11.5	0.36	-0.16
Stage 1	-11.7	0.33	-0.17
Stage 1	-11.9	0.29	-0.18
Stage 1	-12.1	0.26	-0.18
Stage 1	-12.3	0.22	-0.17
Stage 1	-12.5	0.19	-0.16
Stage 1	-12.7	0.16	-0.15
Stage 1	-12.9	0.13	-0.14
Stage 1	-13.1	0.11	-0.13
Stage 1	-13.3	0.08	-0.11
Stage 1	-13.5	0.06	-0.1
Stage 1	-13.7	0.05	-0.09
Stage 1	-13.9	0.03	-0.07
Stage 1	-14.1	0.02	-0.06
Stage 1	-14.3	0.01	-0.05
Stage 1	-14.5	0	-0.04
Stage 1	-14.7	-0.01	-0.03
Stage 1	-14.9	-0.01	-0.02
Stage 1	-15.1	-0.01	-0.02

Design Assumption: A2+M2+R1 Risultati Paratia		Muro: LEFT	
Stage	Z (m)	Momento (kN*m/m)	Taglio (kN/m)
Stage 1	-15.3	-0.02	-0.01
Stage 1	-15.5	-0.02	-0.01
Stage 1	-15.7	-0.02	0
Stage 1	-15.9	-0.02	0
Stage 1	-16.1	-0.02	0
Stage 1	-16.3	-0.02	0
Stage 1	-16.5	-0.02	0
Stage 1	-16.7	-0.02	0
Stage 1	-16.9	-0.01	0
Stage 1	-17.1	-0.01	0
Stage 1	-17.3	-0.01	0
Stage 1	-17.5	-0.01	0
Stage 1	-17.7	-0.01	0
Stage 1	-17.9	-0.01	0
Stage 1	-18.1	-0.01	0
Stage 1	-18.3	-0.02	-0.01
Stage 1	-18.5	-0.02	-0.01
Stage 1	-18.7	-0.02	-0.01
Stage 1	-18.9	-0.02	-0.01
Stage 1	-19.1	-0.02	-0.01
Stage 1	-19.3	-0.03	-0.01
Stage 1	-19.5	-0.03	-0.01
Stage 1	-19.7	-0.03	-0.01
Stage 1	-19.9	-0.04	-0.01
Stage 1	-20.1	-0.04	-0.01
Stage 1	-20.3	-0.04	-0.01
Stage 1	-20.5	-0.04	-0.01
Stage 1	-20.7	-0.04	0
Stage 1	-20.9	-0.04	0
Stage 1	-21.1	-0.04	0.01
Stage 1	-21.3	-0.04	0.02
Stage 1	-21.5	-0.03	0.03
Stage 1	-21.7	-0.02	0.05
Stage 1	-21.9	-0.01	0.06
Stage 1	-22.1	0.01	0.08
Stage 1	-22.3	0.02	0.06
Stage 1	-22.5	0.03	0.05
Stage 1	-22.7	0.04	0.03
Stage 1	-22.9	0.04	0.02
Stage 1	-23.1	0.04	0.01
Stage 1	-23.3	0.04	0
Stage 1	-23.5	0.04	0
Stage 1	-23.7	0.04	-0.01
Stage 1	-23.9	0.04	-0.01
Stage 1	-24.1	0.04	-0.01
Stage 1	-24.3	0.03	-0.02
Stage 1	-24.5	0.03	-0.02
Stage 1	-24.7	0.03	-0.02
Stage 1	-24.9	0.02	-0.02
Stage 1	-25.1	0.02	-0.02
Stage 1	-25.3	0.02	-0.02
Stage 1	-25.5	0.01	-0.01
Stage 1	-25.7	0.01	-0.01
Stage 1	-25.9	0.01	-0.01
Stage 1	-26.1	0.01	-0.01
Stage 1	-26.3	0	-0.01
Stage 1	-26.5	0	-0.01
Stage 1	-26.7	0	-0.01
Stage 1	-26.9	0	0
Stage 1	-27.1	0	0
Stage 1	-27.3	0	0
Stage 1	-27.5	0	0

Tabella Risultati Paratia A2+M2+R1 - Left Wall - Stage: Stage 2

Design Assumption: A2+M2+R1 Risultati Paratia		Muro: LEFT	
Stage	Z (m)	Momento (kN*m/m)	Taglio (kN/m)
Stage 2	-2.5	0	-0.01
Stage 2	-2.7	0	-0.01
Stage 2	-2.9	-0.04	-0.2
Stage 2	-3.1	-0.15	-0.57
Stage 2	-3.3	-0.38	-1.13
Stage 2	-3.5	-0.75	-1.87
Stage 2	-3.7	-1.32	-2.81
Stage 2	-3.9	-2.11	-3.95
Stage 2	-4.1	-3.16	-5.29
Stage 2	-4.3	-4.62	-7.25
Stage 2	-4.5	-6.66	-10.25
Stage 2	-4.7	-9.51	-14.23
Stage 2	-4.9	-13.35	-19.18
Stage 2	-5.1	-18.36	-25.07
Stage 2	-5.3	-23.44	-25.4
Stage 2	-5.5	-27.61	-20.84
Stage 2	-5.7	-30.19	-12.91
Stage 2	-5.9	-31.48	-6.44
Stage 2	-6.1	-31.75	-1.36
Stage 2	-6.3	-30.97	3.92
Stage 2	-6.5	-29.4	7.85
Stage 2	-6.7	-27.27	10.62
Stage 2	-6.9	-24.79	12.42
Stage 2	-7.1	-22.11	13.4
Stage 2	-7.3	-19.36	13.73
Stage 2	-7.5	-16.65	13.55
Stage 2	-7.7	-14.05	12.99
Stage 2	-7.9	-11.62	12.15
Stage 2	-8.1	-9.4	11.12
Stage 2	-8.3	-7.4	9.98
Stage 2	-8.5	-5.64	8.8
Stage 2	-8.7	-4.12	7.61
Stage 2	-8.9	-2.83	6.47
Stage 2	-9.1	-1.75	5.39
Stage 2	-9.3	-0.87	4.39
Stage 2	-9.5	-0.17	3.5
Stage 2	-9.7	0.37	2.7
Stage 2	-9.9	0.77	2
Stage 2	-10.1	1.05	1.41
Stage 2	-10.3	1.23	0.91
Stage 2	-10.5	1.33	0.5
Stage 2	-10.7	1.37	0.17
Stage 2	-10.9	1.35	-0.09
Stage 2	-11.1	1.29	-0.28
Stage 2	-11.3	1.21	-0.42
Stage 2	-11.5	1.11	-0.51
Stage 2	-11.7	0.99	-0.56
Stage 2	-11.9	0.88	-0.59
Stage 2	-12.1	0.76	-0.59
Stage 2	-12.3	0.65	-0.57
Stage 2	-12.5	0.54	-0.54
Stage 2	-12.7	0.44	-0.5
Stage 2	-12.9	0.35	-0.45
Stage 2	-13.1	0.27	-0.4
Stage 2	-13.3	0.2	-0.34
Stage 2	-13.5	0.14	-0.29
Stage 2	-13.7	0.09	-0.25
Stage 2	-13.9	0.05	-0.2
Stage 2	-14.1	0.02	-0.16
Stage 2	-14.3	0	-0.12
Stage 2	-14.5	-0.02	-0.09
Stage 2	-14.7	-0.03	-0.06
Stage 2	-14.9	-0.04	-0.04
Stage 2	-15.1	-0.04	-0.02
Stage 2	-15.3	-0.04	0
Stage 2	-15.5	-0.04	0.01
Stage 2	-15.7	-0.04	0.02

Design Assumption: A2+M2+R1 Risultati Paratia		Muro: LEFT	
Stage	Z (m)	Momento (kN*m/m)	Taglio (kN/m)
Stage 2	-15.9	-0.03	0.03
Stage 2	-16.1	-0.03	0.03
Stage 2	-16.3	-0.02	0.03
Stage 2	-16.5	-0.02	0.02
Stage 2	-16.7	-0.01	0.01
Stage 2	-16.9	-0.01	0
Stage 2	-17.1	-0.02	-0.01
Stage 2	-17.3	-0.02	-0.03
Stage 2	-17.5	-0.03	-0.05
Stage 2	-17.7	-0.04	-0.07
Stage 2	-17.9	-0.06	-0.09
Stage 2	-18.1	-0.09	-0.12
Stage 2	-18.3	-0.12	-0.15
Stage 2	-18.5	-0.15	-0.18
Stage 2	-18.7	-0.19	-0.21
Stage 2	-18.9	-0.24	-0.25
Stage 2	-19.1	-0.3	-0.28
Stage 2	-19.3	-0.36	-0.31
Stage 2	-19.5	-0.43	-0.33
Stage 2	-19.7	-0.5	-0.35
Stage 2	-19.9	-0.57	-0.35
Stage 2	-20.1	-0.64	-0.34
Stage 2	-20.3	-0.7	-0.32
Stage 2	-20.5	-0.75	-0.27
Stage 2	-20.7	-0.79	-0.19
Stage 2	-20.9	-0.81	-0.08
Stage 2	-21.1	-0.79	0.07
Stage 2	-21.3	-0.74	0.26
Stage 2	-21.5	-0.64	0.51
Stage 2	-21.7	-0.48	0.8
Stage 2	-21.9	-0.24	1.16
Stage 2	-22.1	0.07	1.58
Stage 2	-22.3	0.31	1.21
Stage 2	-22.5	0.49	0.9
Stage 2	-22.7	0.62	0.62
Stage 2	-22.9	0.7	0.39
Stage 2	-23.1	0.74	0.2
Stage 2	-23.3	0.75	0.05
Stage 2	-23.5	0.74	-0.07
Stage 2	-23.7	0.7	-0.16
Stage 2	-23.9	0.66	-0.22
Stage 2	-24.1	0.61	-0.27
Stage 2	-24.3	0.55	-0.3
Stage 2	-24.5	0.48	-0.31
Stage 2	-24.7	0.42	-0.31
Stage 2	-24.9	0.36	-0.3
Stage 2	-25.1	0.31	-0.28
Stage 2	-25.3	0.25	-0.26
Stage 2	-25.5	0.21	-0.24
Stage 2	-25.7	0.16	-0.21
Stage 2	-25.9	0.12	-0.19
Stage 2	-26.1	0.09	-0.16
Stage 2	-26.3	0.07	-0.13
Stage 2	-26.5	0.04	-0.11
Stage 2	-26.7	0.03	-0.08
Stage 2	-26.9	0.01	-0.06
Stage 2	-27.1	0.01	-0.04
Stage 2	-27.3	0	-0.02
Stage 2	-27.5	0	-0.01

Tabella Risultati Paratia A2+M2+R1 - Left Wall - Stage: Stage 3

Design Assumption: A2+M2+R1 Risultati Paratia		Muro: LEFT	
Stage	Z (m)	Momento (kN*m/m)	Taglio (kN/m)
Stage 3	-2.5	0	-0.2
Stage 3	-2.7	-0.04	-0.2
Stage 3	-2.9	-1.14	-5.52
Stage 3	-3.1	-3.37	-11.14
Stage 3	-3.3	-6.78	-17.03
Stage 3	-3.5	-11.42	-23.19
Stage 3	-3.7	-17.33	-29.58
Stage 3	-3.9	-24.57	-36.21
Stage 3	-4.1	-33.18	-43.04
Stage 3	-4.3	-43.25	-50.32
Stage 3	-4.5	-54.9	-58.27
Stage 3	-4.7	-39.8	75.52
Stage 3	-4.9	-26.52	66.39
Stage 3	-5.1	-15.17	56.74
Stage 3	-5.3	-6.66	42.55
Stage 3	-5.5	-0.69	29.87
Stage 3	-5.7	3.91	22.99
Stage 3	-5.9	7.34	17.14
Stage 3	-6.1	9.78	12.19
Stage 3	-6.3	11.23	7.29
Stage 3	-6.5	11.91	3.39
Stage 3	-6.7	11.99	0.37
Stage 3	-6.9	11.61	-1.88
Stage 3	-7.1	10.91	-3.5
Stage 3	-7.3	10	-4.58
Stage 3	-7.5	8.95	-5.22
Stage 3	-7.7	7.85	-5.51
Stage 3	-7.9	6.75	-5.52
Stage 3	-8.1	5.68	-5.34
Stage 3	-8.3	4.68	-5.01
Stage 3	-8.5	3.76	-4.58
Stage 3	-8.7	2.94	-4.1
Stage 3	-8.9	2.22	-3.59
Stage 3	-9.1	1.61	-3.08
Stage 3	-9.3	1.09	-2.59
Stage 3	-9.5	0.66	-2.13
Stage 3	-9.7	0.32	-1.71
Stage 3	-9.9	0.06	-1.33
Stage 3	-10.1	-0.14	-1
Stage 3	-10.3	-0.29	-0.72
Stage 3	-10.5	-0.39	-0.48
Stage 3	-10.7	-0.44	-0.29
Stage 3	-10.9	-0.47	-0.13
Stage 3	-11.1	-0.47	-0.01
Stage 3	-11.3	-0.46	0.08
Stage 3	-11.5	-0.43	0.14
Stage 3	-11.7	-0.39	0.19
Stage 3	-11.9	-0.35	0.21
Stage 3	-12.1	-0.31	0.22
Stage 3	-12.3	-0.26	0.22
Stage 3	-12.5	-0.22	0.21
Stage 3	-12.7	-0.18	0.2
Stage 3	-12.9	-0.14	0.18
Stage 3	-13.1	-0.11	0.16
Stage 3	-13.3	-0.08	0.14
Stage 3	-13.5	-0.06	0.12
Stage 3	-13.7	-0.04	0.1
Stage 3	-13.9	-0.02	0.09
Stage 3	-14.1	0	0.07
Stage 3	-14.3	0.01	0.06
Stage 3	-14.5	0.02	0.04
Stage 3	-14.7	0.02	0.03
Stage 3	-14.9	0.03	0.03
Stage 3	-15.1	0.03	0.02
Stage 3	-15.3	0.04	0.01
Stage 3	-15.5	0.04	0.01
Stage 3	-15.7	0.04	0.01

Design Assumption: A2+M2+R1 Risultati Paratia		Muro: LEFT	
Stage	Z (m)	Momento (kN*m/m)	Taglio (kN/m)
Stage 3	-15.9	0.04	0
Stage 3	-16.1	0.04	0
Stage 3	-16.3	0.04	-0.01
Stage 3	-16.5	0.03	-0.01
Stage 3	-16.7	0.03	-0.02
Stage 3	-16.9	0.02	-0.03
Stage 3	-17.1	0.02	-0.04
Stage 3	-17.3	0	-0.06
Stage 3	-17.5	-0.01	-0.07
Stage 3	-17.7	-0.03	-0.09
Stage 3	-17.9	-0.05	-0.11
Stage 3	-18.1	-0.08	-0.14
Stage 3	-18.3	-0.11	-0.16
Stage 3	-18.5	-0.15	-0.19
Stage 3	-18.7	-0.19	-0.22
Stage 3	-18.9	-0.24	-0.25
Stage 3	-19.1	-0.3	-0.28
Stage 3	-19.3	-0.36	-0.31
Stage 3	-19.5	-0.43	-0.33
Stage 3	-19.7	-0.5	-0.35
Stage 3	-19.9	-0.57	-0.35
Stage 3	-20.1	-0.64	-0.34
Stage 3	-20.3	-0.7	-0.32
Stage 3	-20.5	-0.76	-0.27
Stage 3	-20.7	-0.79	-0.19
Stage 3	-20.9	-0.81	-0.08
Stage 3	-21.1	-0.79	0.07
Stage 3	-21.3	-0.74	0.26
Stage 3	-21.5	-0.64	0.51
Stage 3	-21.7	-0.48	0.81
Stage 3	-21.9	-0.25	1.16
Stage 3	-22.1	0.07	1.58
Stage 3	-22.3	0.31	1.22
Stage 3	-22.5	0.49	0.9
Stage 3	-22.7	0.62	0.62
Stage 3	-22.9	0.7	0.39
Stage 3	-23.1	0.74	0.21
Stage 3	-23.3	0.75	0.05
Stage 3	-23.5	0.74	-0.07
Stage 3	-23.7	0.7	-0.16
Stage 3	-23.9	0.66	-0.22
Stage 3	-24.1	0.61	-0.27
Stage 3	-24.3	0.55	-0.3
Stage 3	-24.5	0.48	-0.31
Stage 3	-24.7	0.42	-0.31
Stage 3	-24.9	0.36	-0.3
Stage 3	-25.1	0.31	-0.28
Stage 3	-25.3	0.25	-0.26
Stage 3	-25.5	0.21	-0.24
Stage 3	-25.7	0.16	-0.21
Stage 3	-25.9	0.12	-0.19
Stage 3	-26.1	0.09	-0.16
Stage 3	-26.3	0.07	-0.13
Stage 3	-26.5	0.04	-0.11
Stage 3	-26.7	0.03	-0.08
Stage 3	-26.9	0.01	-0.06
Stage 3	-27.1	0.01	-0.04
Stage 3	-27.3	0	-0.02
Stage 3	-27.5	0	-0.01

Tabella Risultati Paratia A2+M2+R1 - Left Wall - Stage: Stage 4

Design Assumption: A2+M2+R1 Risultati Paratia		Muro: LEFT	
Stage	Z (m)	Momento (kN*m/m)	Taglio (kN/m)
Stage 4	-2.5	0	-0.2
Stage 4	-2.7	-0.04	-0.2
Stage 4	-2.9	-1.36	-6.58
Stage 4	-3.1	-3.98	-13.11
Stage 4	-3.3	-7.93	-19.78
Stage 4	-3.5	-13.25	-26.57
Stage 4	-3.7	-19.94	-33.47
Stage 4	-3.9	-28.03	-40.45
Stage 4	-4.1	-37.53	-47.5
Stage 4	-4.3	-48.5	-54.86
Stage 4	-4.5	-61.04	-62.7
Stage 4	-4.7	-46.75	71.47
Stage 4	-4.9	-34.17	62.9
Stage 4	-5.1	-23.36	54.04
Stage 4	-5.3	-14.63	43.68
Stage 4	-5.5	-7.75	34.36
Stage 4	-5.7	-2.52	26.17
Stage 4	-5.9	1.2	18.62
Stage 4	-6.1	3.55	11.72
Stage 4	-6.3	5.12	7.84
Stage 4	-6.5	6.15	5.15
Stage 4	-6.7	6.87	3.6
Stage 4	-6.9	7.49	3.13
Stage 4	-7.1	8.12	3.13
Stage 4	-7.3	8.75	3.13
Stage 4	-7.5	9.37	3.13
Stage 4	-7.7	10	3.13
Stage 4	-7.9	10.63	3.13
Stage 4	-8.1	11.25	3.13
Stage 4	-8.3	11.88	3.13
Stage 4	-8.5	12.51	3.13
Stage 4	-8.7	13.13	3.13
Stage 4	-8.9	13.76	3.13
Stage 4	-9.1	14.39	3.13
Stage 4	-9.3	15.01	3.13
Stage 4	-9.5	15.64	3.13
Stage 4	-9.7	16.27	3.13
Stage 4	-9.9	16.9	3.13
Stage 4	-10.1	17.52	3.13
Stage 4	-10.3	18.15	3.13
Stage 4	-10.5	18.78	3.13
Stage 4	-10.7	19.4	3.13
Stage 4	-10.9	20.03	3.13
Stage 4	-11.1	20.66	3.13
Stage 4	-11.3	21.28	3.13
Stage 4	-11.5	21.91	3.13
Stage 4	-11.7	22.54	3.13
Stage 4	-11.9	23.16	3.13
Stage 4	-12.1	23.79	3.13
Stage 4	-12.3	24.42	3.13
Stage 4	-12.5	25.04	3.13
Stage 4	-12.7	25.67	3.13
Stage 4	-12.9	26.3	3.13
Stage 4	-13.1	26.92	3.13
Stage 4	-13.3	27.55	3.13
Stage 4	-13.5	28.18	3.13
Stage 4	-13.7	28.8	3.13
Stage 4	-13.9	29.43	3.13
Stage 4	-14.1	30.06	3.13
Stage 4	-14.3	30.68	3.13
Stage 4	-14.5	31.31	3.13
Stage 4	-14.7	31.94	3.13
Stage 4	-14.9	32.56	3.13
Stage 4	-15.1	33.19	3.13
Stage 4	-15.3	33.82	3.13
Stage 4	-15.5	34.44	3.13
Stage 4	-15.7	35.07	3.13

Design Assumption: A2+M2+R1 Risultati Paratia		Muro: LEFT	
Stage	Z (m)	Momento (kN*m/m)	Taglio (kN/m)
Stage 4	-15.9	35.7	3.13
Stage 4	-16.1	36.32	3.13
Stage 4	-16.3	36.95	3.13
Stage 4	-16.5	37.58	3.13
Stage 4	-16.7	38.2	3.13
Stage 4	-16.9	38.83	3.13
Stage 4	-17.1	39.46	3.13
Stage 4	-17.3	40.08	3.13
Stage 4	-17.5	40.71	3.13
Stage 4	-17.7	41.34	3.13
Stage 4	-17.9	41.97	3.13
Stage 4	-18.1	42.59	3.13
Stage 4	-18.3	43.22	3.13
Stage 4	-18.5	43.85	3.13
Stage 4	-18.7	44.47	3.13
Stage 4	-18.9	45.1	3.13
Stage 4	-19.1	45.73	3.13
Stage 4	-19.3	46.35	3.13
Stage 4	-19.5	46.98	3.13
Stage 4	-19.7	47.61	3.13
Stage 4	-19.9	48.23	3.13
Stage 4	-20.1	48.86	3.13
Stage 4	-20.3	49.49	3.13
Stage 4	-20.5	50.11	3.13
Stage 4	-20.7	50.74	3.13
Stage 4	-20.9	51.24	2.53
Stage 4	-21.1	51.37	0.63
Stage 4	-21.3	51.09	-1.4
Stage 4	-21.5	50.61	-2.4
Stage 4	-21.7	50.13	-2.4
Stage 4	-21.9	49.83	-1.48
Stage 4	-22.1	49.9	0.34
Stage 4	-22.3	47.74	-10.83
Stage 4	-22.5	43.67	-20.3
Stage 4	-22.7	38.05	-28.11
Stage 4	-22.9	31.2	-34.28
Stage 4	-23.1	23.43	-38.84
Stage 4	-23.3	15.07	-41.81
Stage 4	-23.5	6.42	-43.22
Stage 4	-23.7	-2.19	-43.07
Stage 4	-23.9	-10.46	-41.37
Stage 4	-24.1	-18.09	-38.13
Stage 4	-24.3	-24.76	-33.34
Stage 4	-24.5	-30.15	-26.98
Stage 4	-24.7	-33.97	-19.06
Stage 4	-24.9	-35.88	-9.56
Stage 4	-25.1	-36.13	-1.25
Stage 4	-25.3	-34.98	5.72
Stage 4	-25.5	-32.71	11.39
Stage 4	-25.7	-29.55	15.8
Stage 4	-25.9	-25.75	18.99
Stage 4	-26.1	-21.55	20.99
Stage 4	-26.3	-17.19	21.82
Stage 4	-26.5	-12.88	21.53
Stage 4	-26.7	-8.86	20.11
Stage 4	-26.9	-5.34	17.59
Stage 4	-27.1	-2.54	13.98
Stage 4	-27.3	-0.69	9.26
Stage 4	-27.5	0	3.45

Tabella Risultati Paratia A2+M2+R1 - Left Wall - Stage: Stage A

Design Assumption: A2+M2+R1 Risultati Paratia		Muro: LEFT	
Stage	Z (m)	Momento (kN*m/m)	Taglio (kN/m)
Stage A	-2.5	0	-0.2
Stage A	-2.7	-0.04	-0.2
Stage A	-2.9	-1.37	-6.65
Stage A	-3.1	-4.02	-13.25
Stage A	-3.3	-8.02	-19.98
Stage A	-3.5	-13.38	-26.82
Stage A	-3.7	-20.13	-33.77
Stage A	-3.9	-28.29	-40.8
Stage A	-4.1	-37.87	-47.88
Stage A	-4.3	-48.93	-55.28
Stage A	-4.5	-61.56	-63.17
Stage A	-4.7	-47.37	70.97
Stage A	-4.9	-34.89	62.37
Stage A	-5.1	-24.19	53.49
Stage A	-5.3	-15.57	43.11
Stage A	-5.5	-8.81	33.8
Stage A	-5.7	-3.68	25.65
Stage A	-5.9	-0.04	18.19
Stage A	-6.1	2.24	11.42
Stage A	-6.3	3.8	7.77
Stage A	-6.5	4.87	5.37
Stage A	-6.7	5.7	4.16
Stage A	-6.9	6.52	4.1
Stage A	-7.1	7.34	4.1
Stage A	-7.3	8.16	4.1
Stage A	-7.5	8.98	4.1
Stage A	-7.7	9.8	4.1
Stage A	-7.9	10.62	4.1
Stage A	-8.1	11.44	4.1
Stage A	-8.3	12.26	4.1
Stage A	-8.5	13.08	4.1
Stage A	-8.7	13.89	4.1
Stage A	-8.9	14.71	4.1
Stage A	-9.1	15.53	4.1
Stage A	-9.3	16.35	4.1
Stage A	-9.5	17.17	4.1
Stage A	-9.7	17.99	4.1
Stage A	-9.9	18.81	4.1
Stage A	-10.1	19.63	4.1
Stage A	-10.3	20.45	4.1
Stage A	-10.5	21.27	4.1
Stage A	-10.7	22.09	4.1
Stage A	-10.9	22.9	4.1
Stage A	-11.1	23.72	4.1
Stage A	-11.3	24.54	4.1
Stage A	-11.5	25.36	4.1
Stage A	-11.7	26.18	4.1
Stage A	-11.9	27	4.1
Stage A	-12.1	27.82	4.1
Stage A	-12.3	28.64	4.1
Stage A	-12.5	29.46	4.1
Stage A	-12.7	30.28	4.1
Stage A	-12.9	31.1	4.1
Stage A	-13.1	31.91	4.1
Stage A	-13.3	32.73	4.1
Stage A	-13.5	33.55	4.1
Stage A	-13.7	34.37	4.1
Stage A	-13.9	35.19	4.1
Stage A	-14.1	36.01	4.1
Stage A	-14.3	36.83	4.1
Stage A	-14.5	37.65	4.1
Stage A	-14.7	38.47	4.1
Stage A	-14.9	39.29	4.1
Stage A	-15.1	40.11	4.1
Stage A	-15.3	40.92	4.1
Stage A	-15.5	41.74	4.1
Stage A	-15.7	42.56	4.1

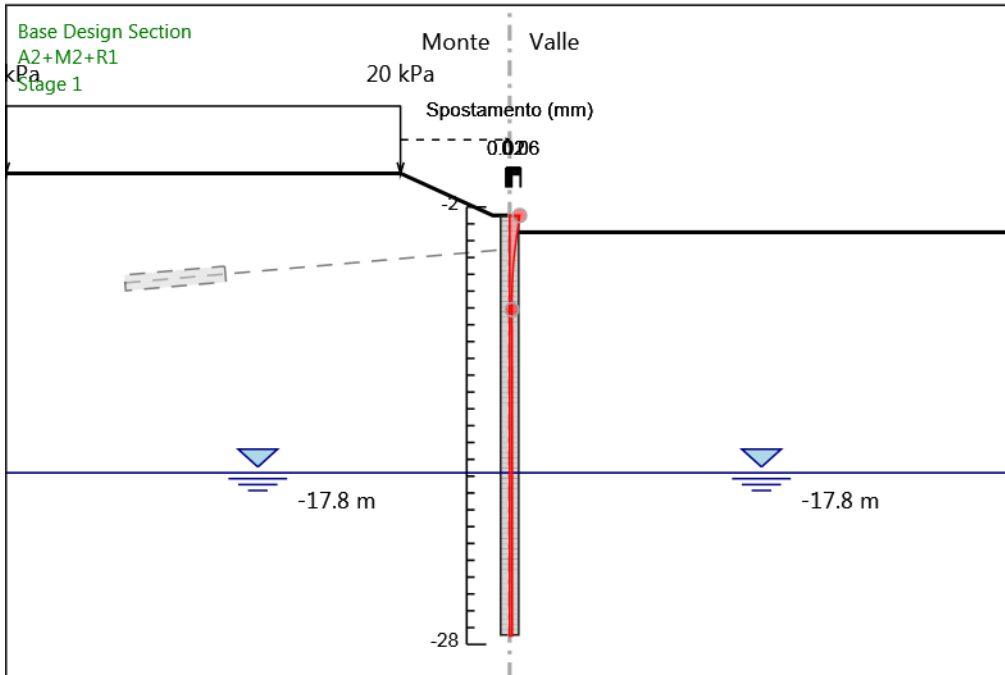
Design Assumption: A2+M2+R1 Risultati Paratia		Muro: LEFT	
Stage	Z (m)	Momento (kN*m/m)	Taglio (kN/m)
Stage A	-15.9	43.38	4.1
Stage A	-16.1	44.2	4.1
Stage A	-16.3	45.02	4.1
Stage A	-16.5	45.84	4.1
Stage A	-16.7	46.66	4.1
Stage A	-16.9	47.48	4.1
Stage A	-17.1	48.3	4.1
Stage A	-17.3	49.12	4.1
Stage A	-17.5	49.93	4.1
Stage A	-17.7	50.75	4.1
Stage A	-17.9	51.57	4.1
Stage A	-18.1	52.38	4.02
Stage A	-18.3	53.13	3.76
Stage A	-18.5	53.79	3.31
Stage A	-18.7	54.32	2.66
Stage A	-18.9	54.68	1.79
Stage A	-19.1	54.82	0.7
Stage A	-19.3	54.7	-0.62
Stage A	-19.5	54.26	-2.18
Stage A	-19.7	53.46	-3.99
Stage A	-19.9	52.3	-5.81
Stage A	-20.1	50.77	-7.65
Stage A	-20.3	48.87	-9.52
Stage A	-20.5	46.58	-11.42
Stage A	-20.7	43.92	-13.34
Stage A	-20.9	40.75	-15.82
Stage A	-21.1	36.87	-19.38
Stage A	-21.3	33.91	-14.82
Stage A	-21.5	31.65	-11.29
Stage A	-21.7	30.03	-8.14
Stage A	-21.9	29.01	-5.08
Stage A	-22.1	28.61	-1.99
Stage A	-22.3	26.5	-10.55
Stage A	-22.5	22.91	-17.94
Stage A	-22.7	18.09	-24.12
Stage A	-22.9	12.28	-29.07
Stage A	-23.1	5.73	-32.74
Stage A	-23.3	-1.3	-35.12
Stage A	-23.5	-8.53	-36.17
Stage A	-23.7	-15.71	-35.87
Stage A	-23.9	-22.55	-34.2
Stage A	-24.1	-28.77	-31.11
Stage A	-24.3	-34.08	-26.59
Stage A	-24.5	-38.2	-20.58
Stage A	-24.7	-40.82	-13.08
Stage A	-24.9	-41.63	-4.06
Stage A	-25.1	-40.88	3.75
Stage A	-25.3	-38.84	10.21
Stage A	-25.5	-35.77	15.35
Stage A	-25.7	-31.92	19.24
Stage A	-25.9	-27.53	21.92
Stage A	-26.1	-22.85	23.44
Stage A	-26.3	-18.08	23.82
Stage A	-26.5	-13.46	23.1
Stage A	-26.7	-9.2	21.3
Stage A	-26.9	-5.52	18.43
Stage A	-27.1	-2.61	14.51
Stage A	-27.3	-0.71	9.54
Stage A	-27.5	0	3.53

Tabella Risultati Paratia A2+M2+R1 - Left Wall - Stage: Stage 5

Design Assumption: A2+M2+R1 Risultati Paratia		Muro: LEFT	
Stage	Z (m)	Momento (kN*m/m)	Taglio (kN/m)
Stage 5	-2.5	0	-0.2
Stage 5	-2.7	-0.04	-0.2
Stage 5	-2.9	-1.37	-6.65
Stage 5	-3.1	-4.02	-13.25
Stage 5	-3.3	-8.02	-19.98
Stage 5	-3.5	-13.38	-26.82
Stage 5	-3.7	-20.13	-33.77
Stage 5	-3.9	-28.29	-40.8
Stage 5	-4.1	-37.87	-47.88
Stage 5	-4.3	-48.93	-55.28
Stage 5	-4.5	-61.56	-63.17
Stage 5	-4.7	-47.37	70.97
Stage 5	-4.9	-34.89	62.37
Stage 5	-5.1	-24.19	53.49
Stage 5	-5.3	-15.57	43.11
Stage 5	-5.5	-8.81	33.8
Stage 5	-5.7	-3.68	25.65
Stage 5	-5.9	-0.04	18.19
Stage 5	-6.1	2.24	11.42
Stage 5	-6.3	3.8	7.77
Stage 5	-6.5	4.87	5.37
Stage 5	-6.7	5.7	4.16
Stage 5	-6.9	6.52	4.1
Stage 5	-7.1	7.34	4.1
Stage 5	-7.3	8.16	4.1
Stage 5	-7.5	8.98	4.1
Stage 5	-7.7	9.8	4.1
Stage 5	-7.9	10.62	4.1
Stage 5	-8.1	11.44	4.1
Stage 5	-8.3	12.26	4.1
Stage 5	-8.5	13.08	4.1
Stage 5	-8.7	13.89	4.1
Stage 5	-8.9	14.71	4.1
Stage 5	-9.1	15.53	4.1
Stage 5	-9.3	16.35	4.1
Stage 5	-9.5	17.17	4.1
Stage 5	-9.7	17.99	4.1
Stage 5	-9.9	18.81	4.1
Stage 5	-10.1	19.63	4.1
Stage 5	-10.3	20.45	4.1
Stage 5	-10.5	21.27	4.1
Stage 5	-10.7	22.09	4.1
Stage 5	-10.9	22.9	4.1
Stage 5	-11.1	23.72	4.1
Stage 5	-11.3	24.54	4.1
Stage 5	-11.5	25.36	4.1
Stage 5	-11.7	26.18	4.1
Stage 5	-11.9	27	4.1
Stage 5	-12.1	27.82	4.1
Stage 5	-12.3	28.64	4.1
Stage 5	-12.5	29.46	4.1
Stage 5	-12.7	30.28	4.1
Stage 5	-12.9	31.1	4.1
Stage 5	-13.1	31.92	4.1
Stage 5	-13.3	32.73	4.1
Stage 5	-13.5	33.55	4.1
Stage 5	-13.7	34.37	4.1
Stage 5	-13.9	35.19	4.1
Stage 5	-14.1	36.01	4.1
Stage 5	-14.3	36.83	4.1
Stage 5	-14.5	37.65	4.1
Stage 5	-14.7	38.47	4.1
Stage 5	-14.9	39.29	4.1
Stage 5	-15.1	40.11	4.1
Stage 5	-15.3	40.93	4.1
Stage 5	-15.5	41.74	4.1
Stage 5	-15.7	42.56	4.1

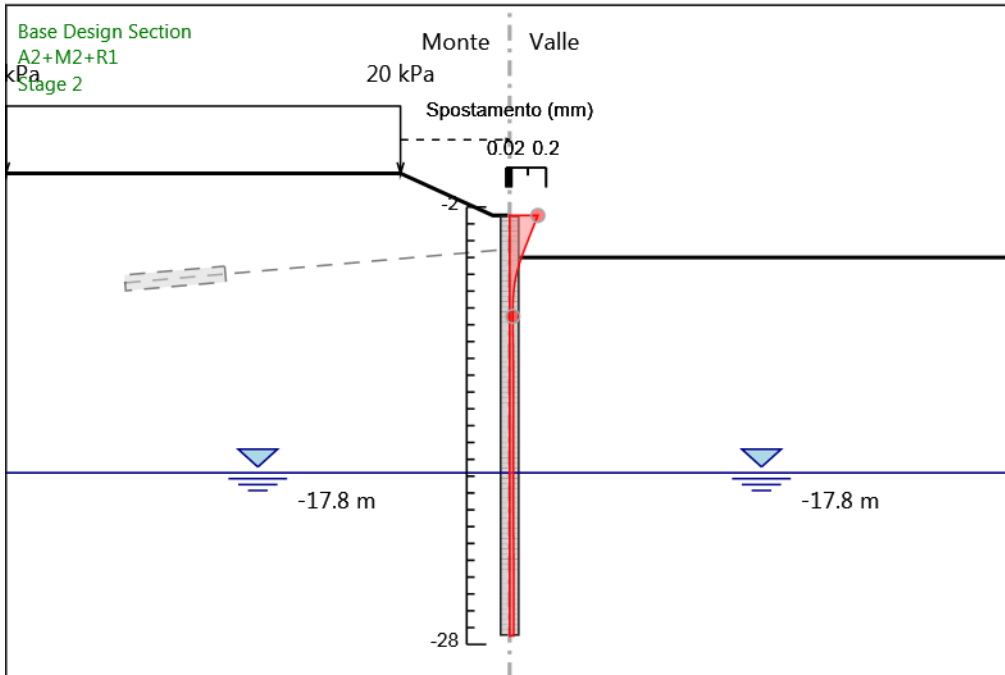
Design Assumption: A2+M2+R1 Risultati Paratia		Muro: LEFT	
Stage	Z (m)	Momento (kN*m/m)	Taglio (kN/m)
Stage 5	-15.9	43.38	4.1
Stage 5	-16.1	44.2	4.1
Stage 5	-16.3	45.02	4.1
Stage 5	-16.5	45.84	4.1
Stage 5	-16.7	46.66	4.1
Stage 5	-16.9	47.48	4.1
Stage 5	-17.1	48.3	4.1
Stage 5	-17.3	49.12	4.09
Stage 5	-17.5	49.93	4.09
Stage 5	-17.7	50.75	4.09
Stage 5	-17.9	51.57	4.09
Stage 5	-18.1	52.38	4.02
Stage 5	-18.3	53.13	3.76
Stage 5	-18.5	53.79	3.31
Stage 5	-18.7	54.32	2.65
Stage 5	-18.9	54.68	1.79
Stage 5	-19.1	54.82	0.7
Stage 5	-19.3	54.69	-0.62
Stage 5	-19.5	54.26	-2.18
Stage 5	-19.7	53.46	-3.99
Stage 5	-19.9	52.3	-5.81
Stage 5	-20.1	50.77	-7.65
Stage 5	-20.3	48.86	-9.52
Stage 5	-20.5	46.58	-11.41
Stage 5	-20.7	43.91	-13.33
Stage 5	-20.9	40.75	-15.82
Stage 5	-21.1	36.87	-19.38
Stage 5	-21.3	33.91	-14.81
Stage 5	-21.5	31.65	-11.29
Stage 5	-21.7	30.03	-8.13
Stage 5	-21.9	29.01	-5.08
Stage 5	-22.1	28.61	-1.99
Stage 5	-22.3	26.5	-10.55
Stage 5	-22.5	22.91	-17.94
Stage 5	-22.7	18.09	-24.12
Stage 5	-22.9	12.28	-29.07
Stage 5	-23.1	5.73	-32.74
Stage 5	-23.3	-1.3	-35.12
Stage 5	-23.5	-8.53	-36.17
Stage 5	-23.7	-15.71	-35.87
Stage 5	-23.9	-22.54	-34.2
Stage 5	-24.1	-28.77	-31.11
Stage 5	-24.3	-34.08	-26.59
Stage 5	-24.5	-38.2	-20.58
Stage 5	-24.7	-40.82	-13.08
Stage 5	-24.9	-41.63	-4.06
Stage 5	-25.1	-40.88	3.75
Stage 5	-25.3	-38.84	10.21
Stage 5	-25.5	-35.77	15.35
Stage 5	-25.7	-31.92	19.24
Stage 5	-25.9	-27.53	21.92
Stage 5	-26.1	-22.84	23.44
Stage 5	-26.3	-18.08	23.82
Stage 5	-26.5	-13.46	23.1
Stage 5	-26.7	-9.2	21.3
Stage 5	-26.9	-5.52	18.43
Stage 5	-27.1	-2.61	14.51
Stage 5	-27.3	-0.71	9.54
Stage 5	-27.5	0	3.53

Grafico Spostamento A2+M2+R1 - Stage: Stage 1



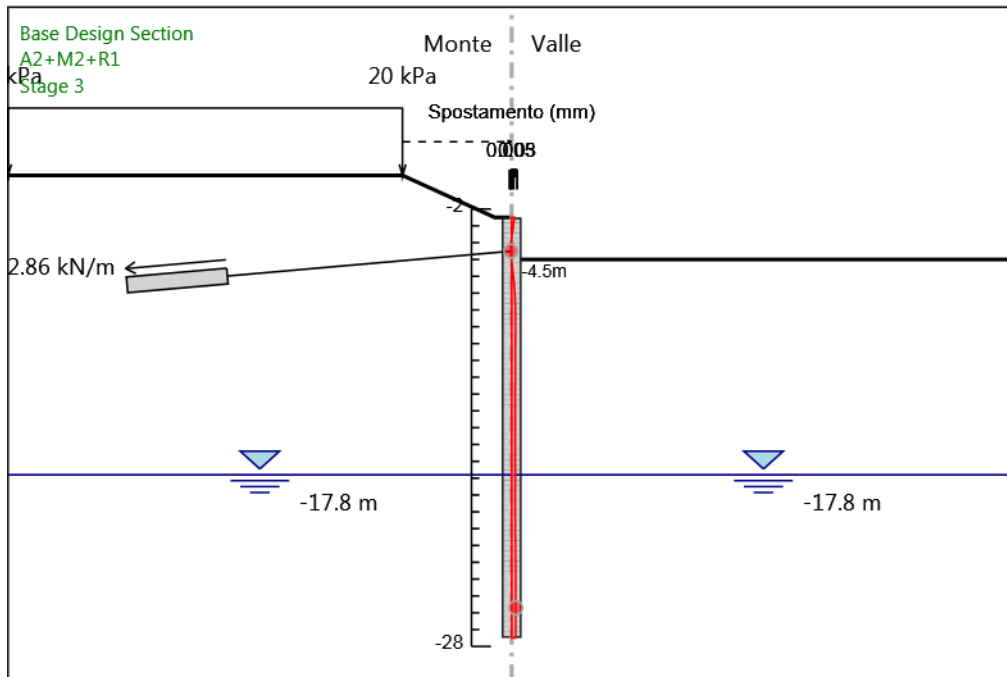
Design Assumption: A2+M2+R1
Stage: Stage 1
Spostamento

Grafico Spostamento A2+M2+R1 - Stage: Stage 2



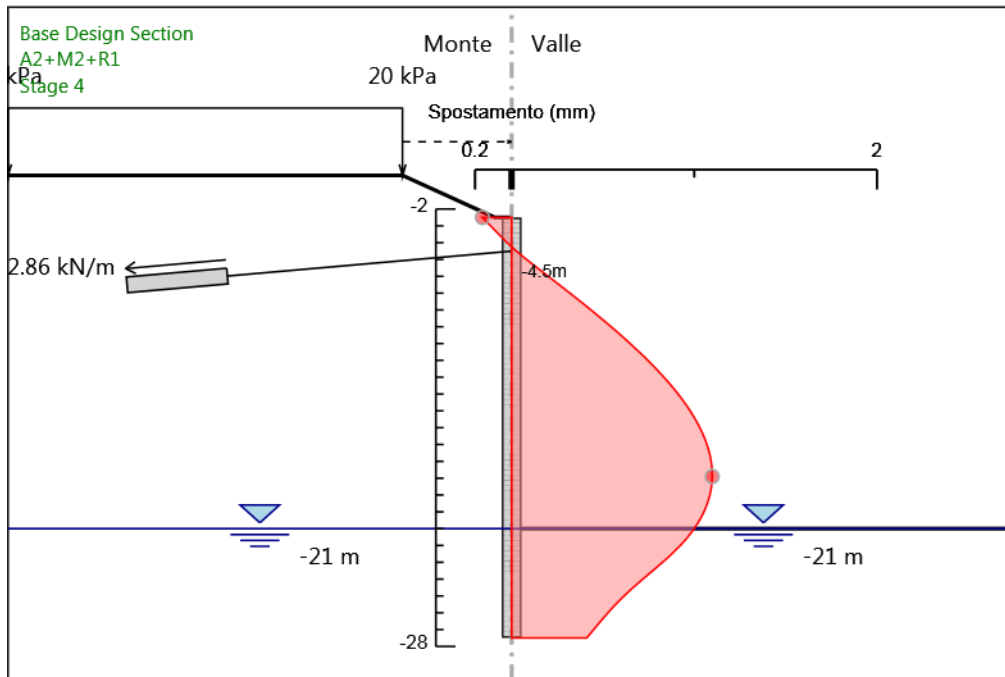
Design Assumption: A2+M2+R1
Stage: Stage 2
Spostamento

Grafico Spostamento A2+M2+R1 - Stage: Stage 3



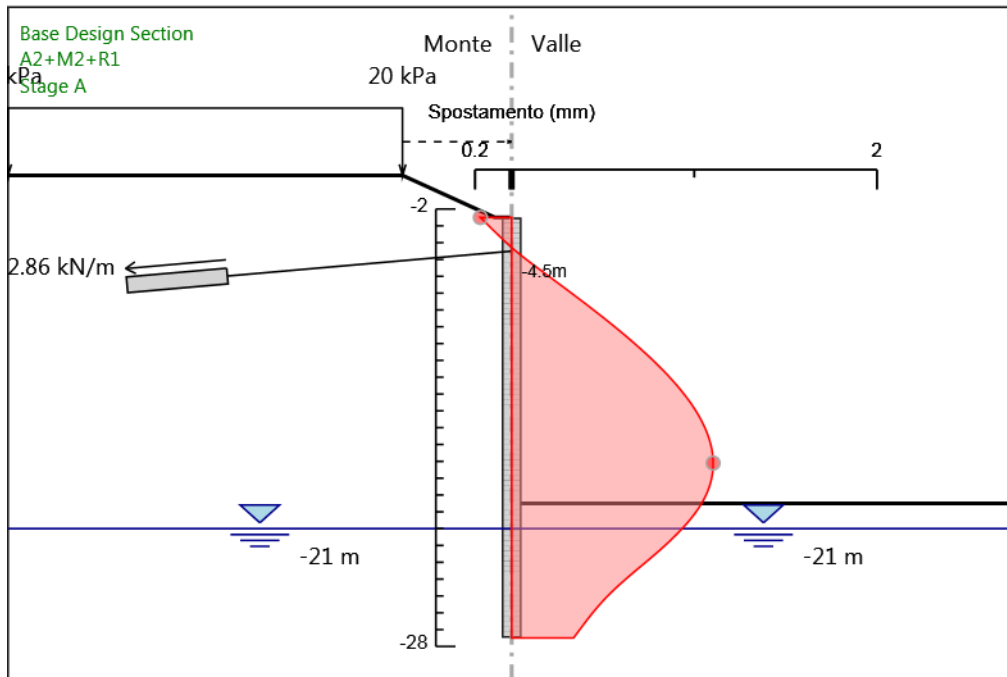
Design Assumption: A2+M2+R1
Stage: Stage 3
Spostamento

Grafico Spostamento A2+M2+R1 - Stage: Stage 4



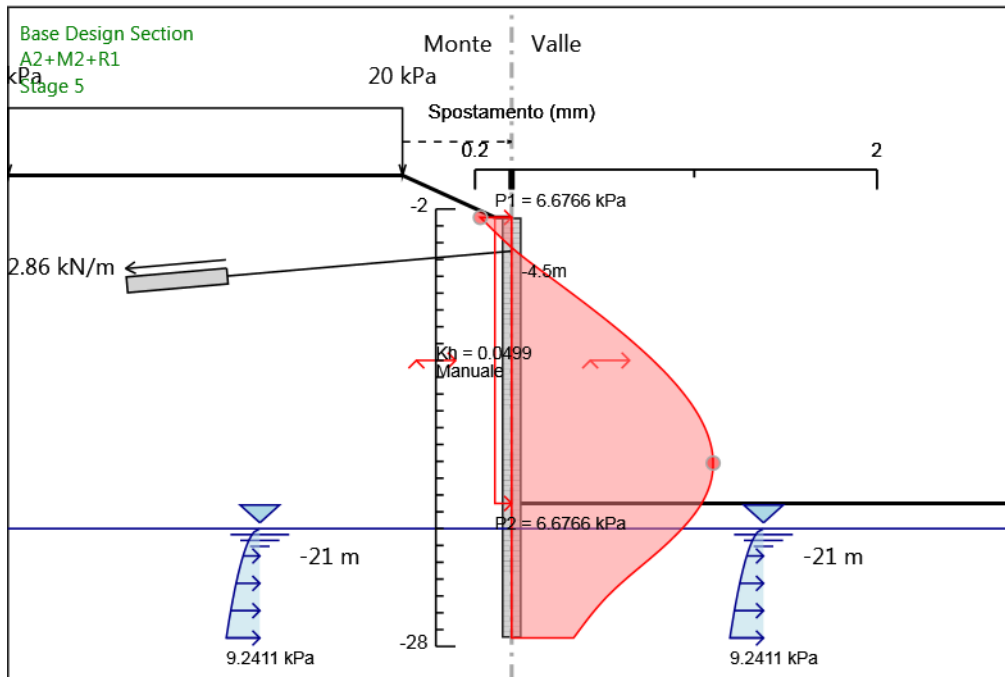
Design Assumption: A2+M2+R1
Stage: Stage 4
Spostamento

Grafico Spostamento A2+M2+R1 - Stage: Stage A



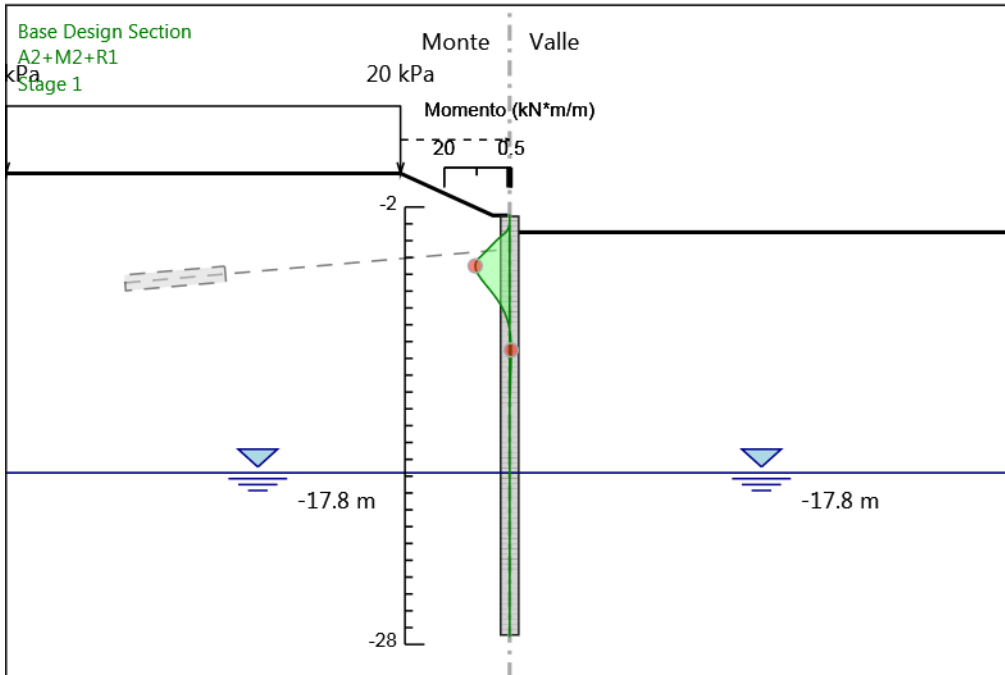
Design Assumption: A2+M2+R1
Stage: Stage A
Spostamento

Grafico Spostamento A2+M2+R1 - Stage: Stage 5



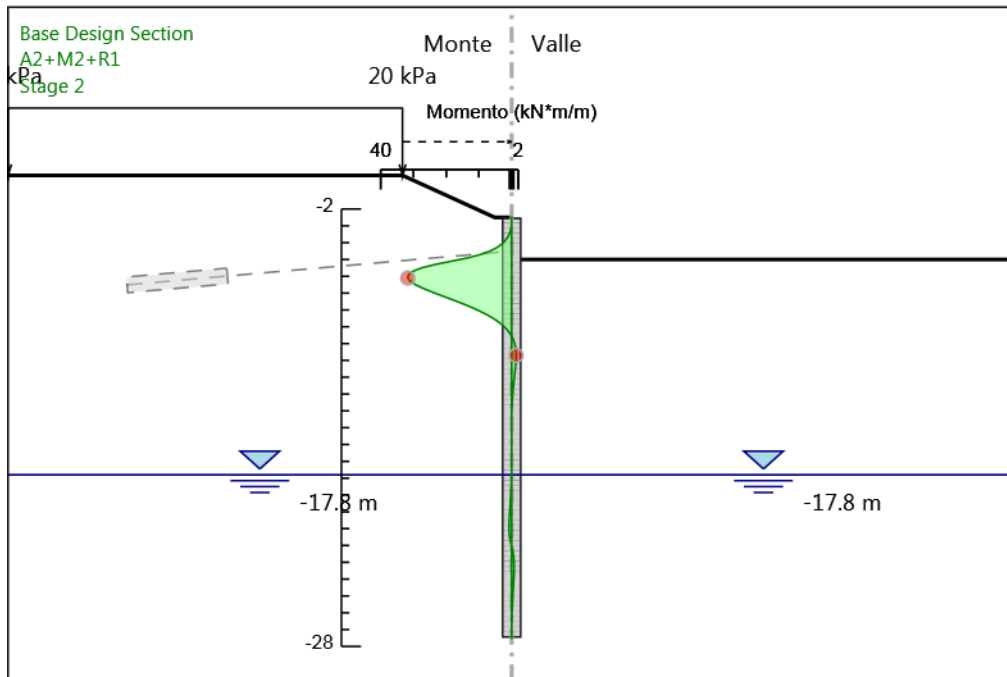
Design Assumption: A2+M2+R1
Stage: Stage 5
Spostamento

Grafico Risultati Momento A2+M2+R1 - Stage: Stage 1



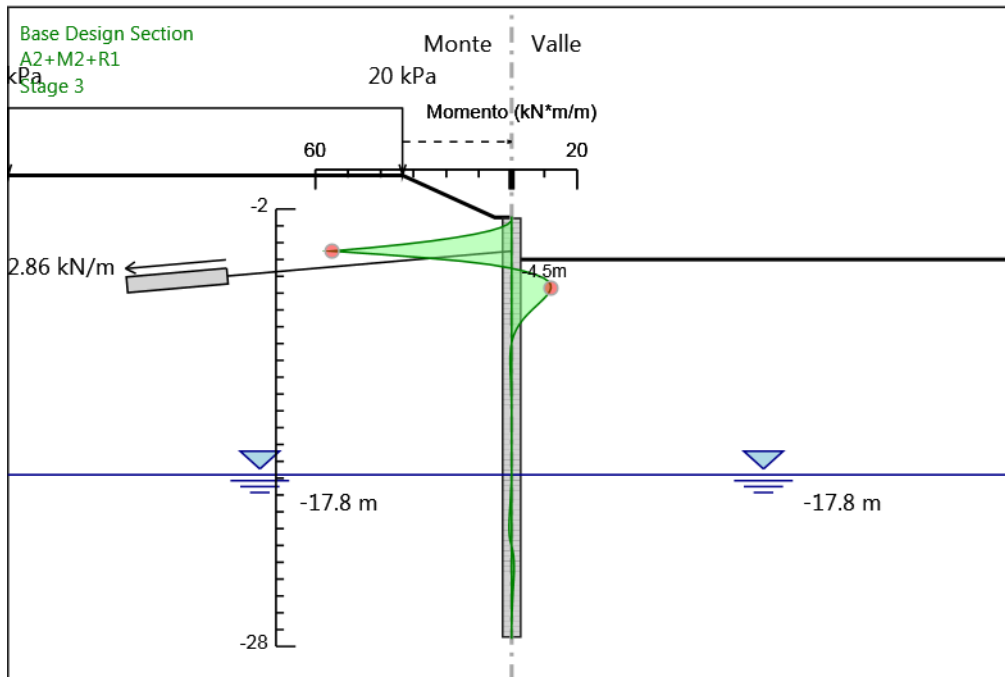
Design Assumption: A2+M2+R1
Stage: Stage 1
Momento

Grafico Risultati Momento A2+M2+R1 - Stage: Stage 2



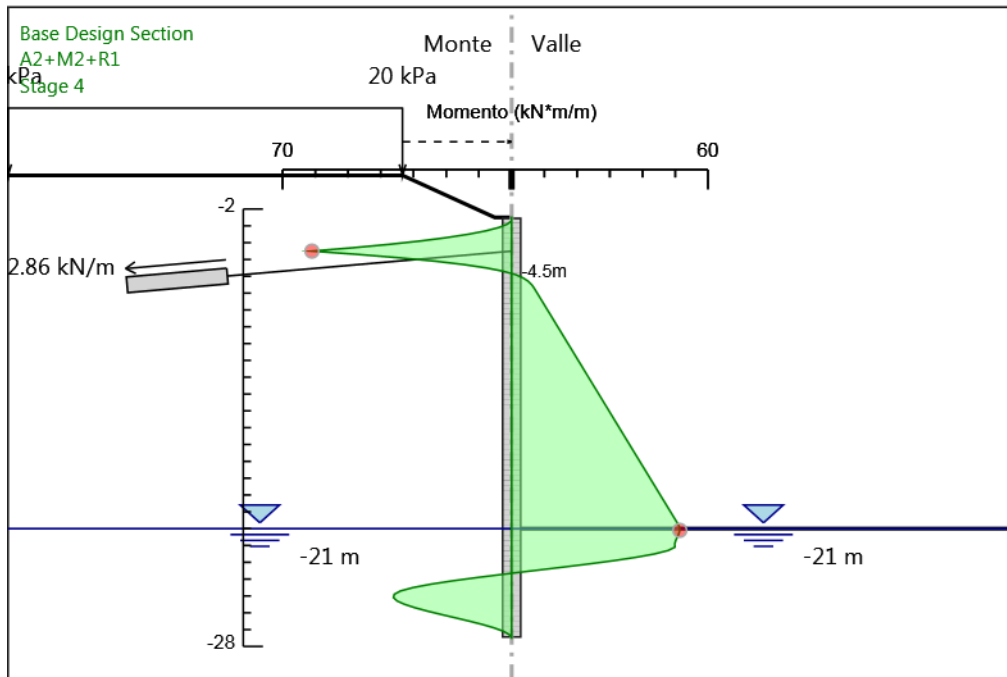
Design Assumption: A2+M2+R1
Stage: Stage 2
Momento

Grafico Risultati Momento A2+M2+R1 - Stage: Stage 3



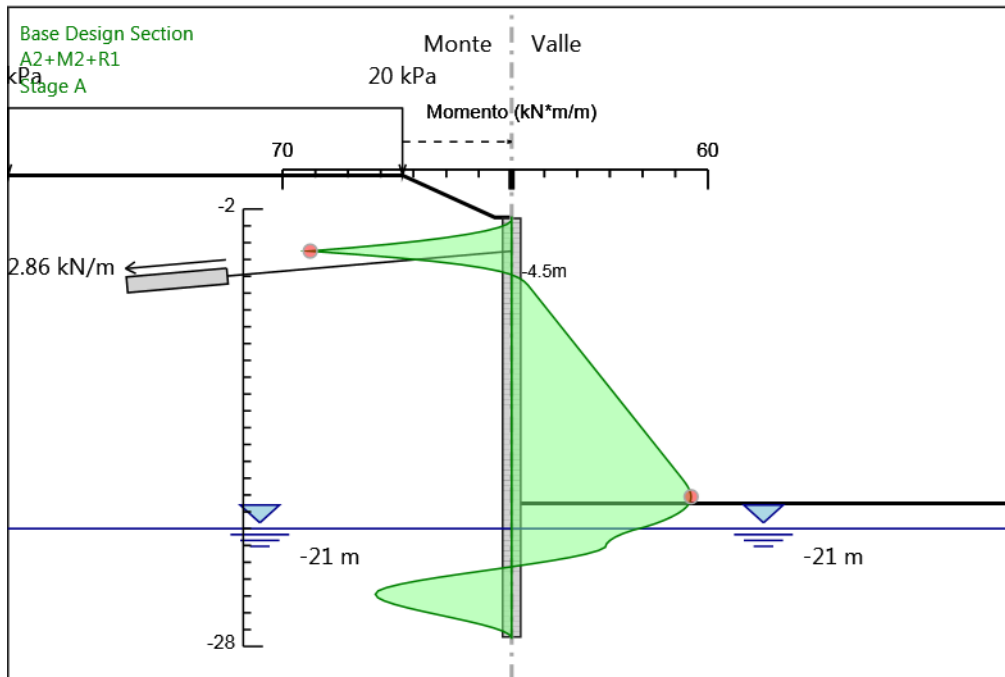
Design Assumption: A2+M2+R1
Stage: Stage 3
Momento

Grafico Risultati Momento A2+M2+R1 - Stage: Stage 4



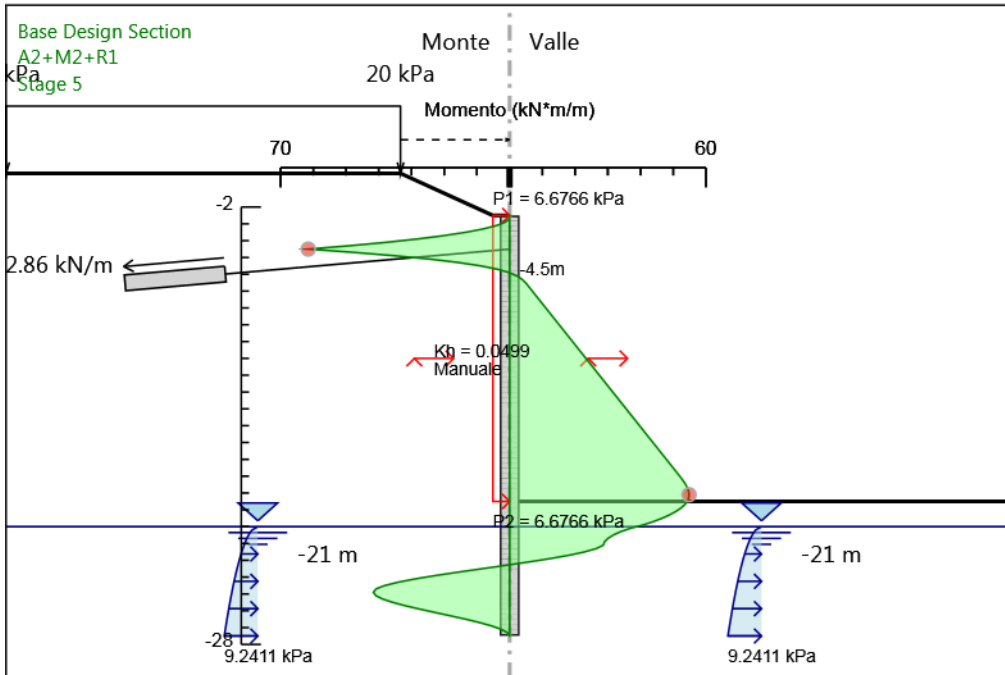
Design Assumption: A2+M2+R1
Stage: Stage 4
Momento

Grafico Risultati Momento A2+M2+R1 - Stage: Stage A



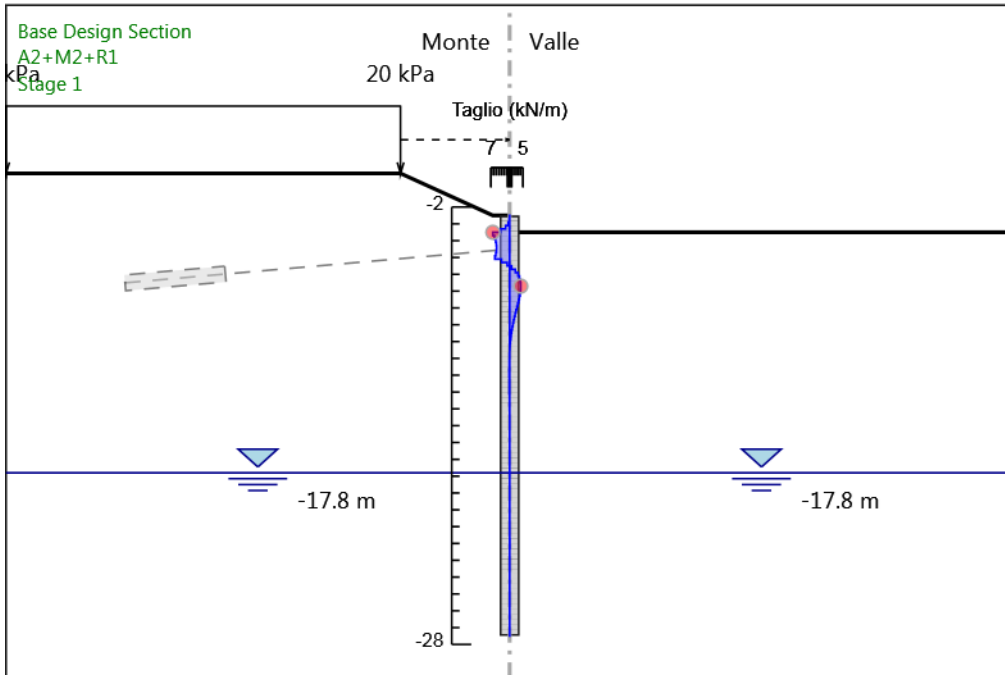
Design Assumption: A2+M2+R1
Stage: Stage A
Momento

Grafico Risultati Momento A2+M2+R1 - Stage: Stage 5



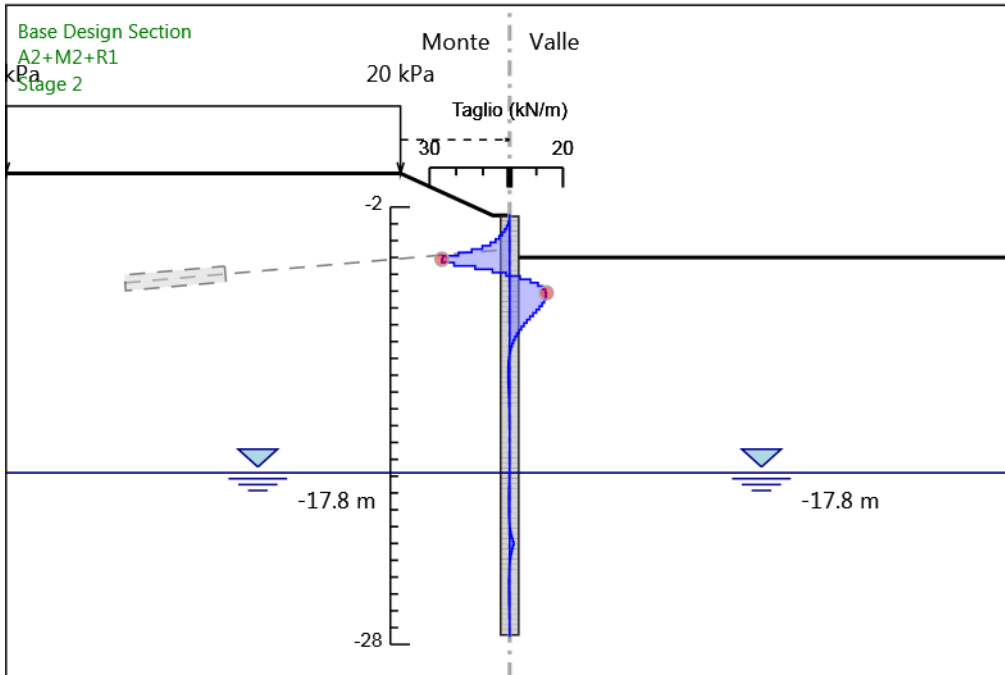
Design Assumption: A2+M2+R1
Stage: Stage 5
Momento

Grafico Risultati Taglio A2+M2+R1 - Stage: Stage 1



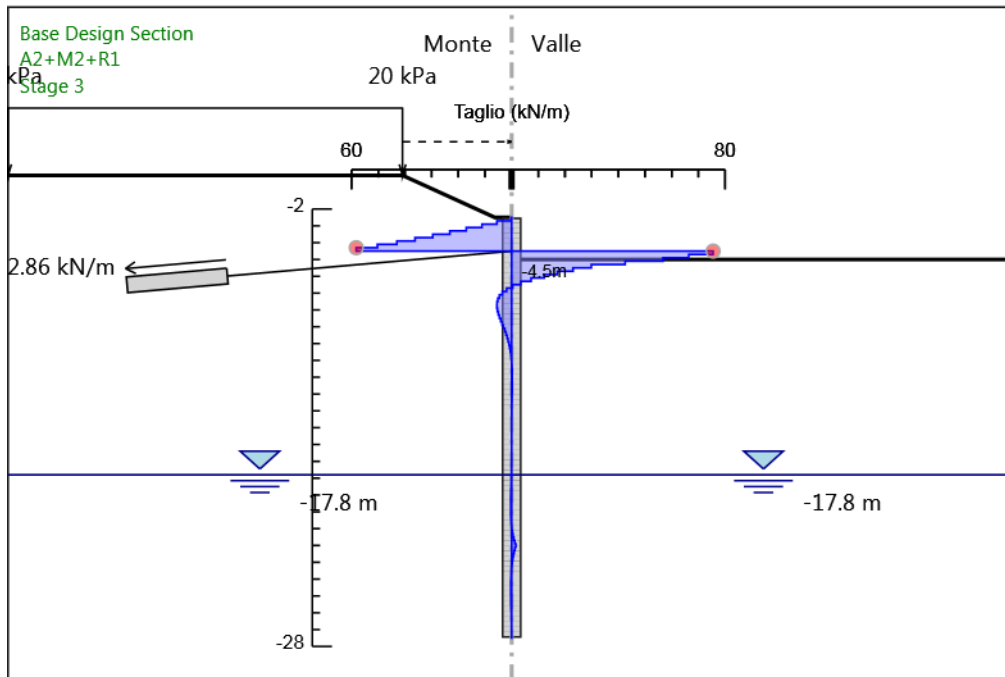
Design Assumption: A2+M2+R1
Stage: Stage 1
Taglio

Grafico Risultati Taglio A2+M2+R1 - Stage: Stage 2



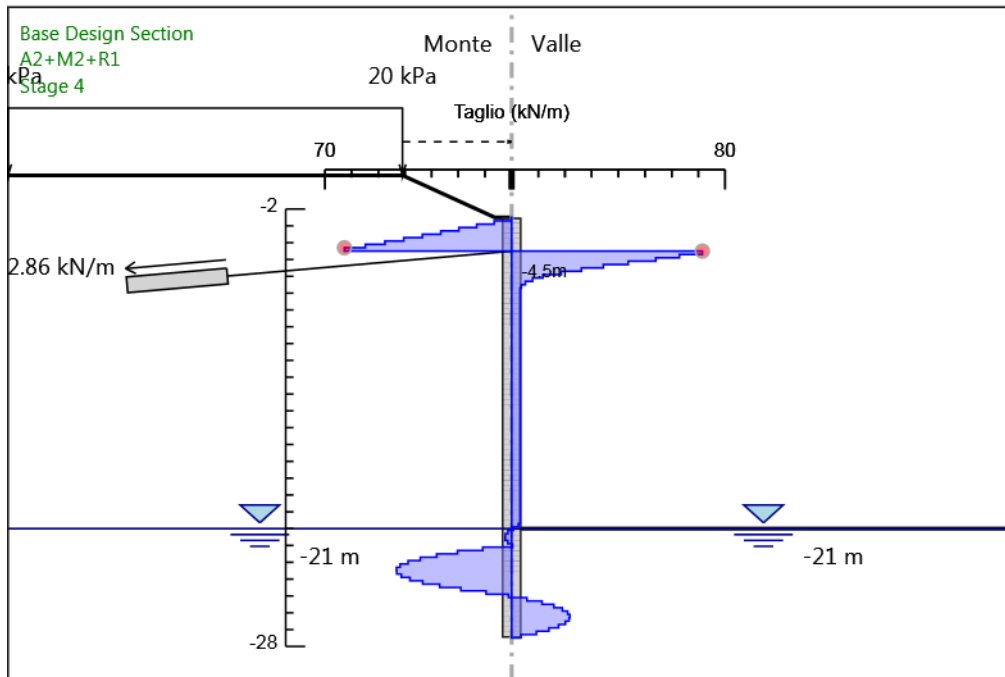
Design Assumption: A2+M2+R1
Stage: Stage 2
Taglio

Grafico Risultati Taglio A2+M2+R1 - Stage: Stage 3



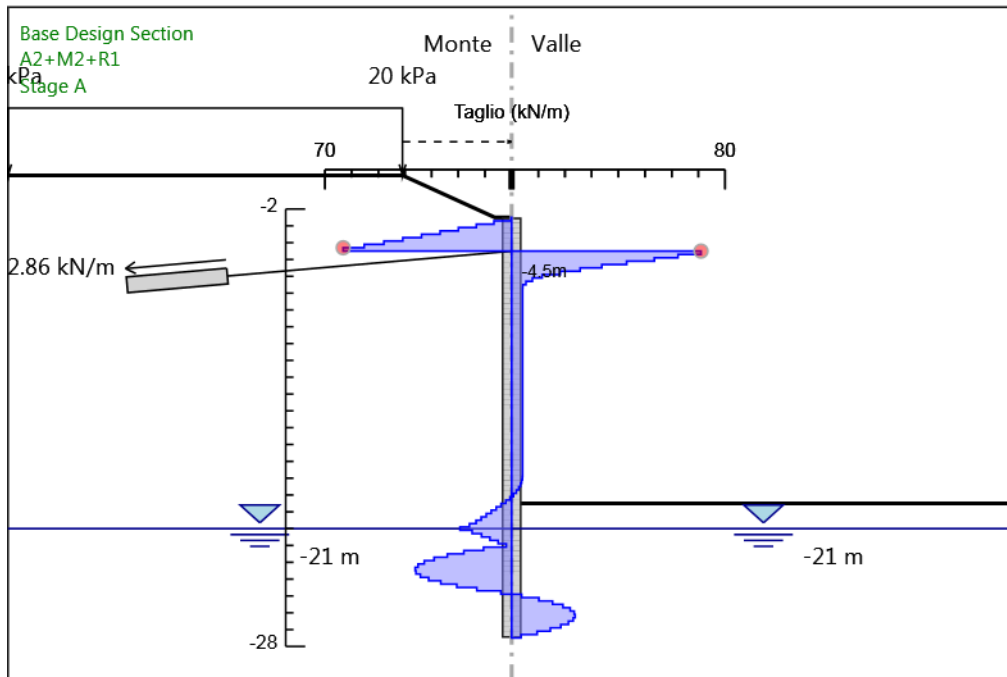
Design Assumption: A2+M2+R1
Stage: Stage 3
Taglio

Grafico Risultati Taglio A2+M2+R1 - Stage: Stage 4



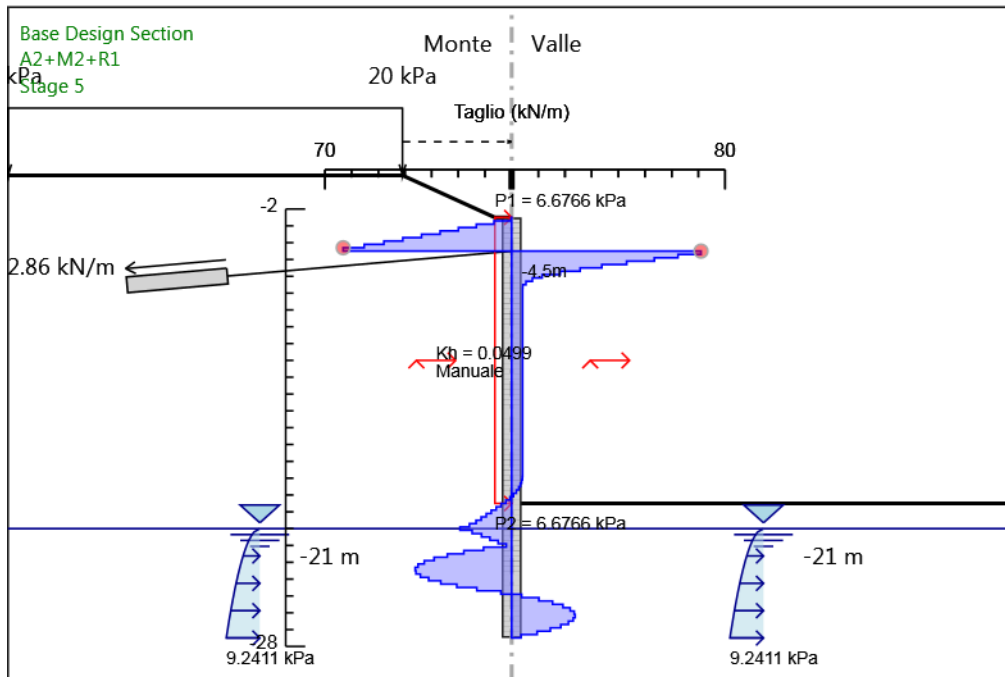
Design Assumption: A2+M2+R1
Stage: Stage 4
Taglio

Grafico Risultati Taglio A2+M2+R1 - Stage: Stage A



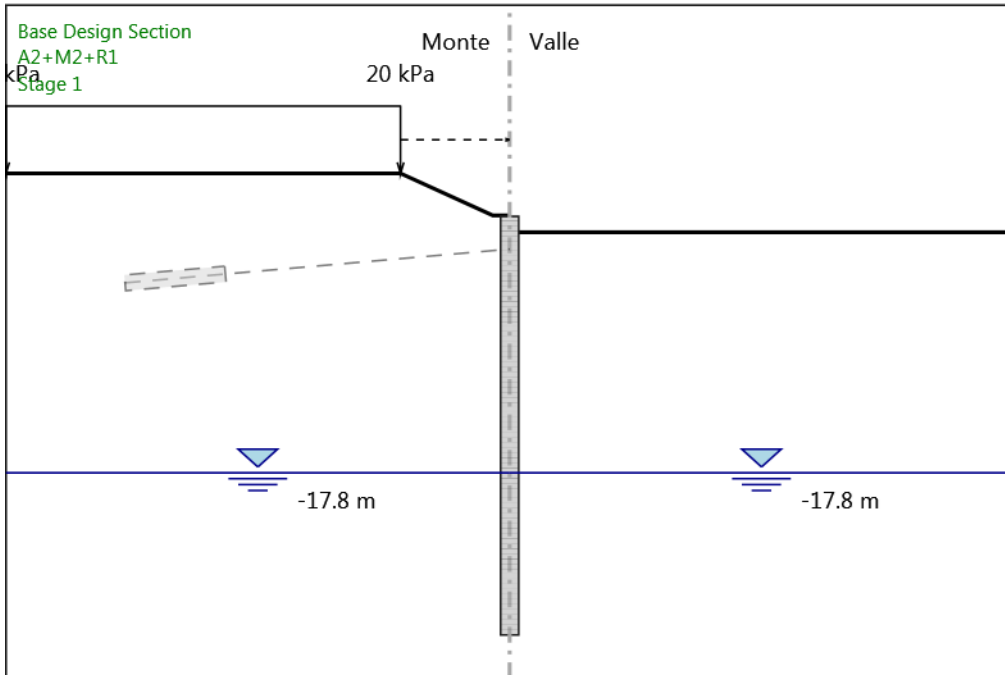
Design Assumption: A2+M2+R1
Stage: Stage A
Taglio

Grafico Risultati Taglio A2+M2+R1 - Stage: Stage 5



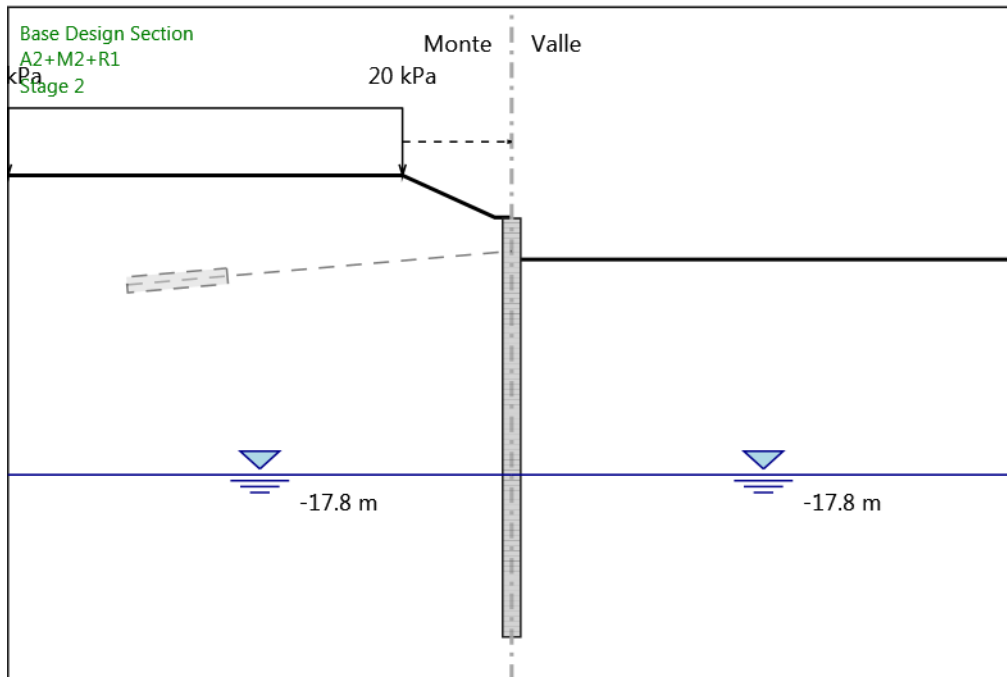
Design Assumption: A2+M2+R1
Stage: Stage 5
Taglio

Grafico Risultati Momento A2+M2+R1 - Stage: Stage 1



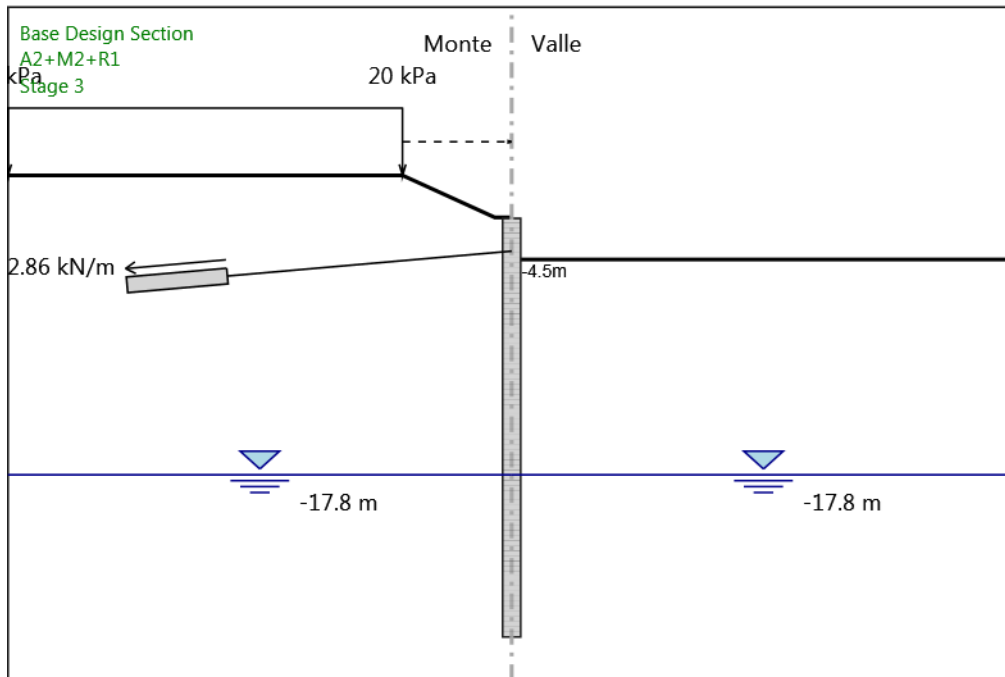
Design Assumption: A2+M2+R1
Stage: Stage 1
Momento

Grafico Risultati Momento A2+M2+R1 - Stage: Stage 2



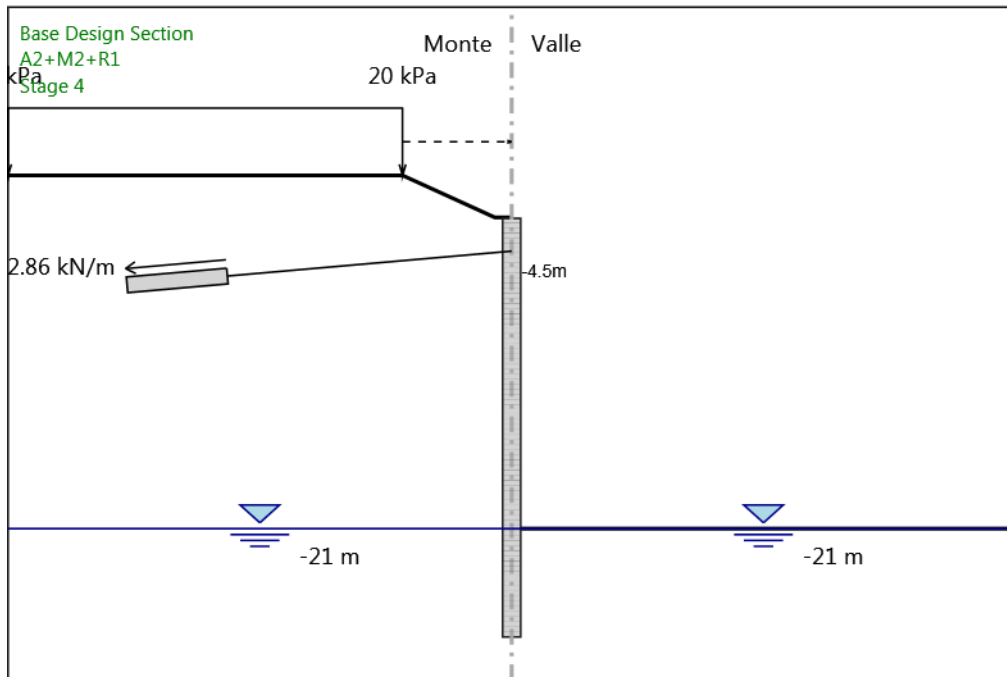
Design Assumption: A2+M2+R1
Stage: Stage 2
Momento

Grafico Risultati Momento A2+M2+R1 - Stage: Stage 3



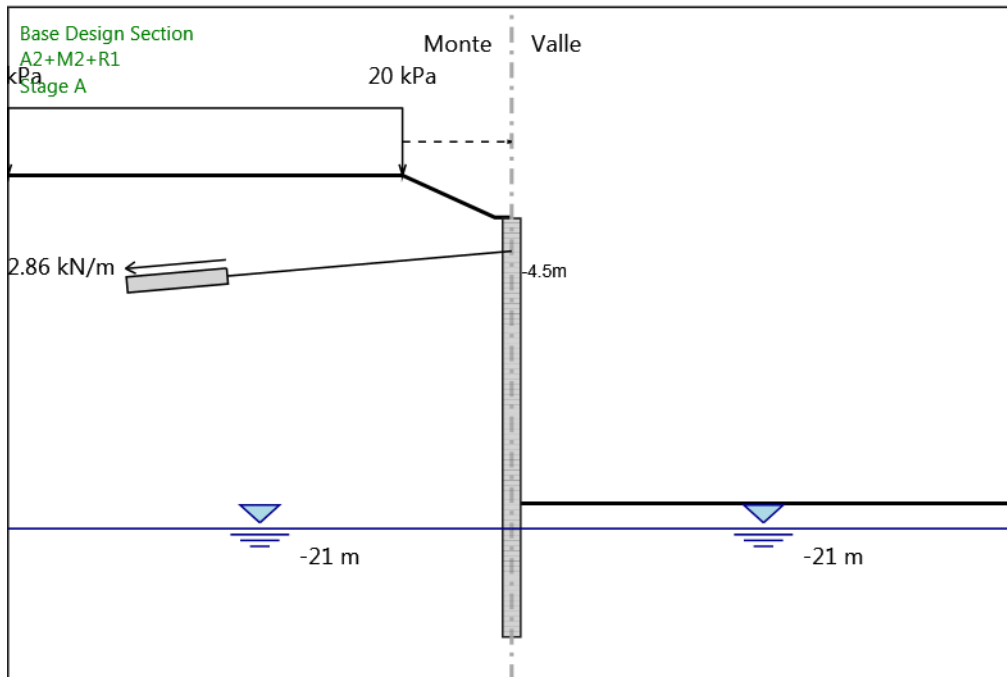
Design Assumption: A2+M2+R1
Stage: Stage 3
Momento

Grafico Risultati Momento A2+M2+R1 - Stage: Stage 4



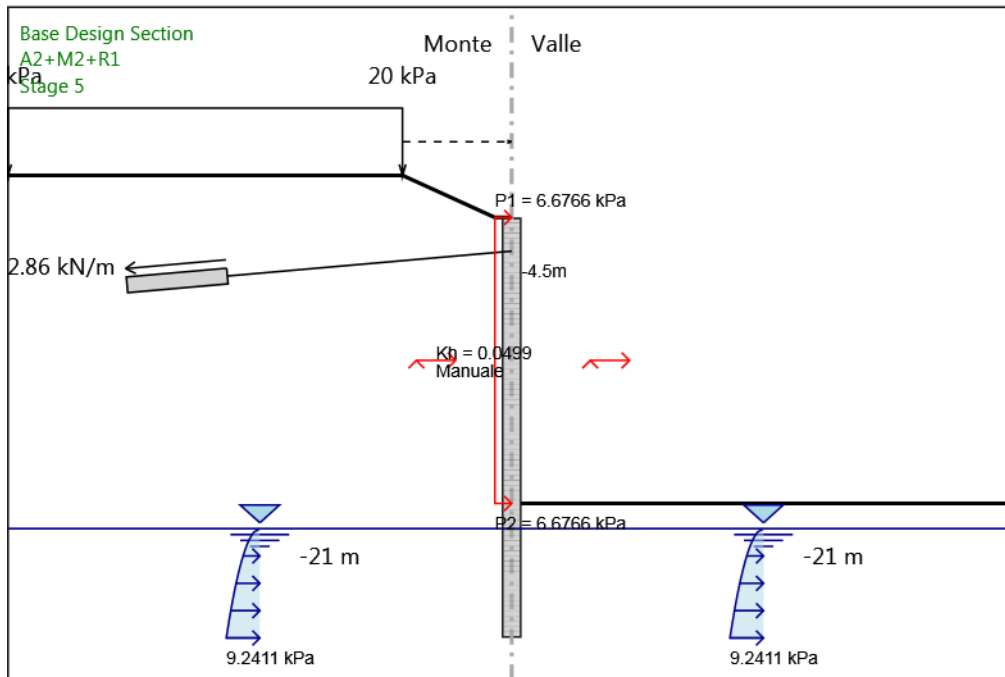
Design Assumption: A2+M2+R1
Stage: Stage 4
Momento

Grafico Risultati Momento A2+M2+R1 - Stage: Stage A



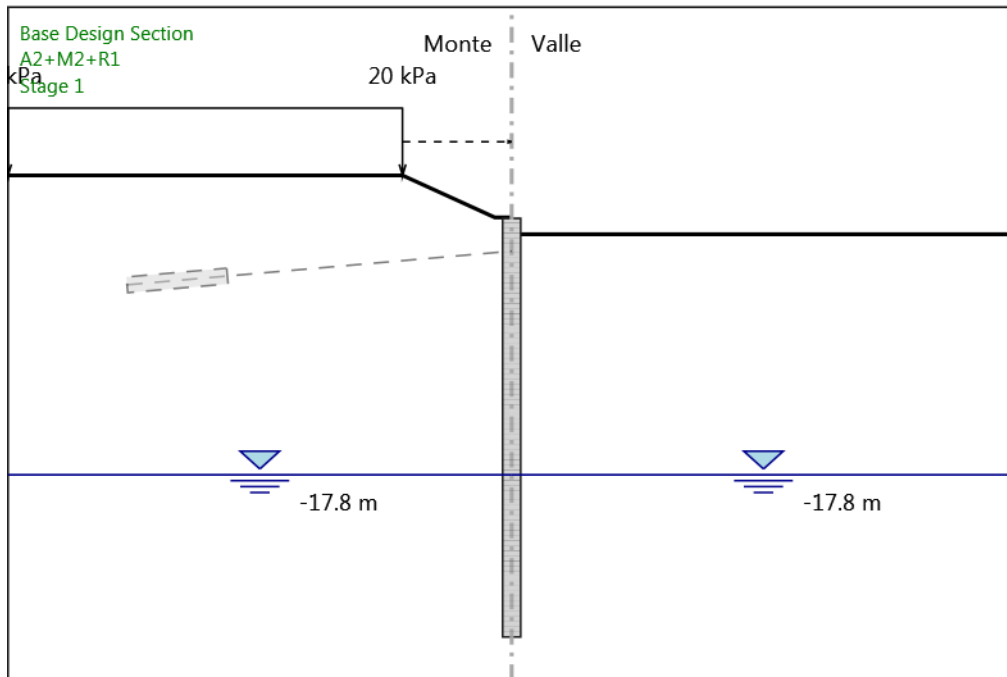
Design Assumption: A2+M2+R1
Stage: Stage A
Momento

Grafico Risultati Momento A2+M2+R1 - Stage: Stage 5



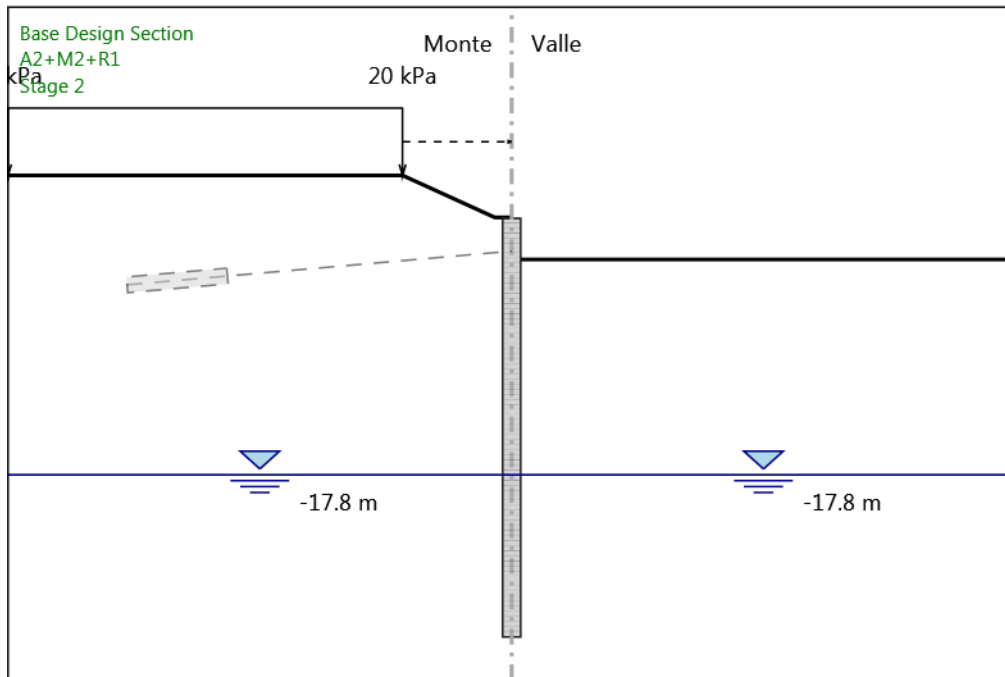
Design Assumption: A2+M2+R1
Stage: Stage 5
Momento

Grafico Risultati Taglio A2+M2+R1 - Stage: Stage 1



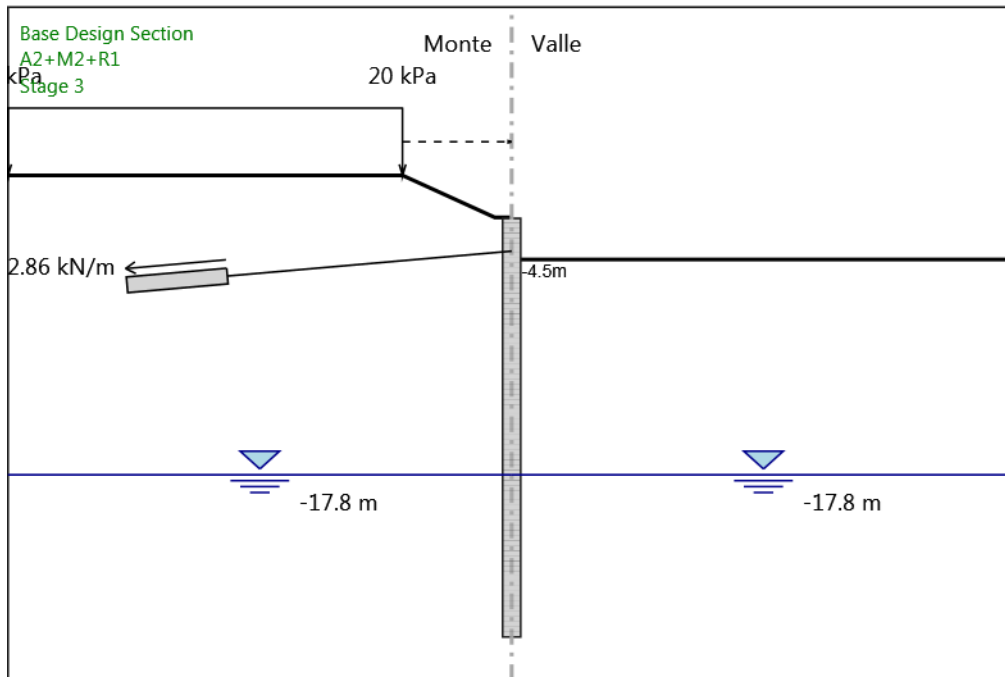
Design Assumption: A2+M2+R1
Stage: Stage 1
Taglio

Grafico Risultati Taglio A2+M2+R1 - Stage: Stage 2



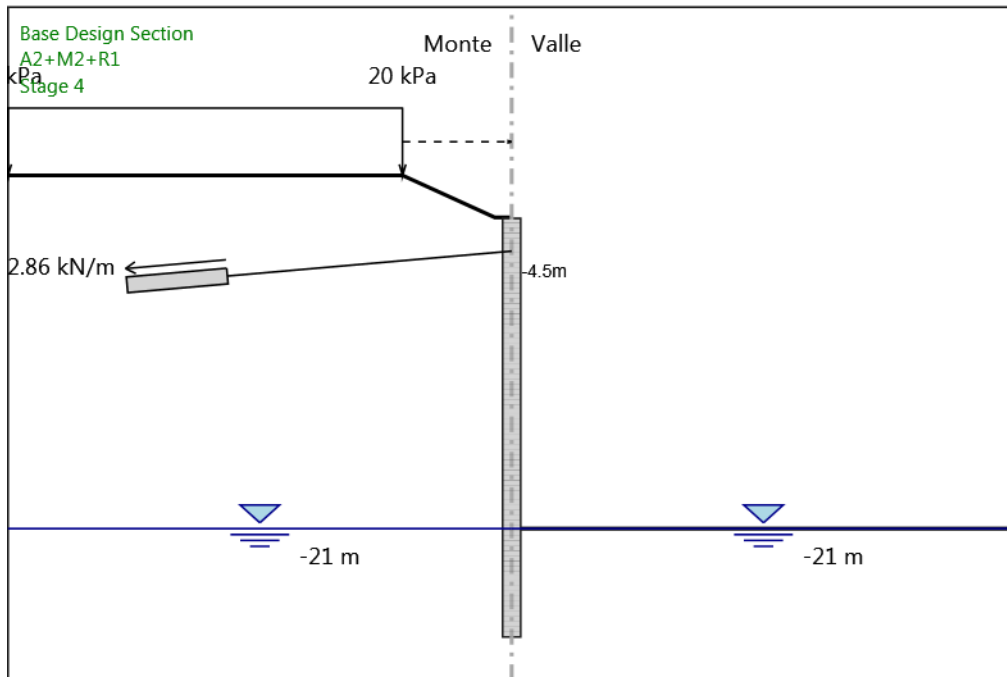
Design Assumption: A2+M2+R1
Stage: Stage 2
Taglio

Grafico Risultati Taglio A2+M2+R1 - Stage: Stage 3



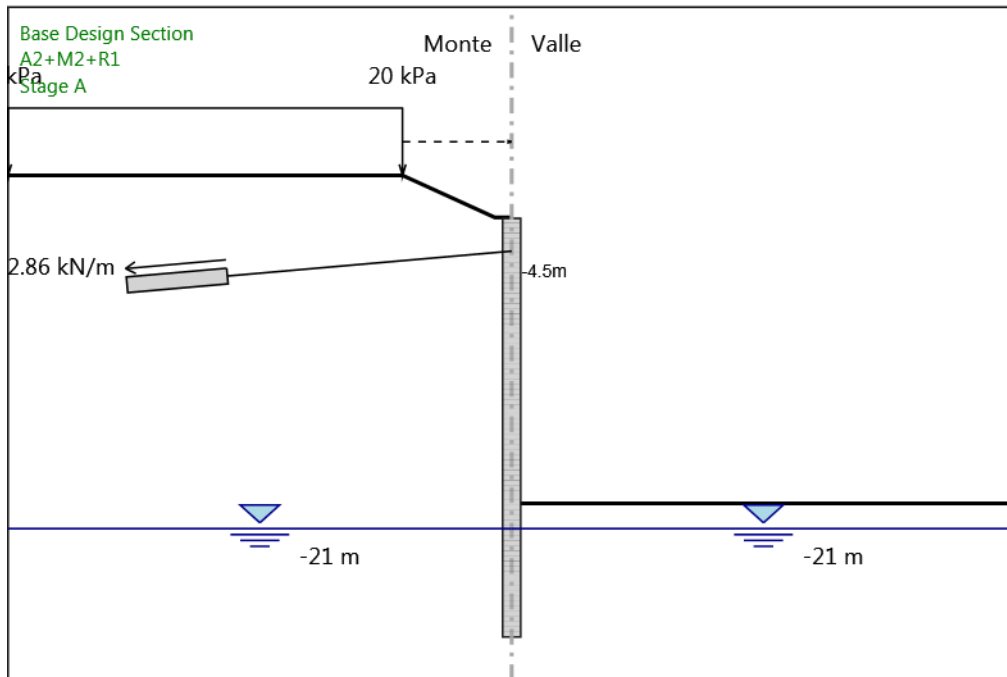
Design Assumption: A2+M2+R1
Stage: Stage 3
Taglio

Grafico Risultati Taglio A2+M2+R1 - Stage: Stage 4



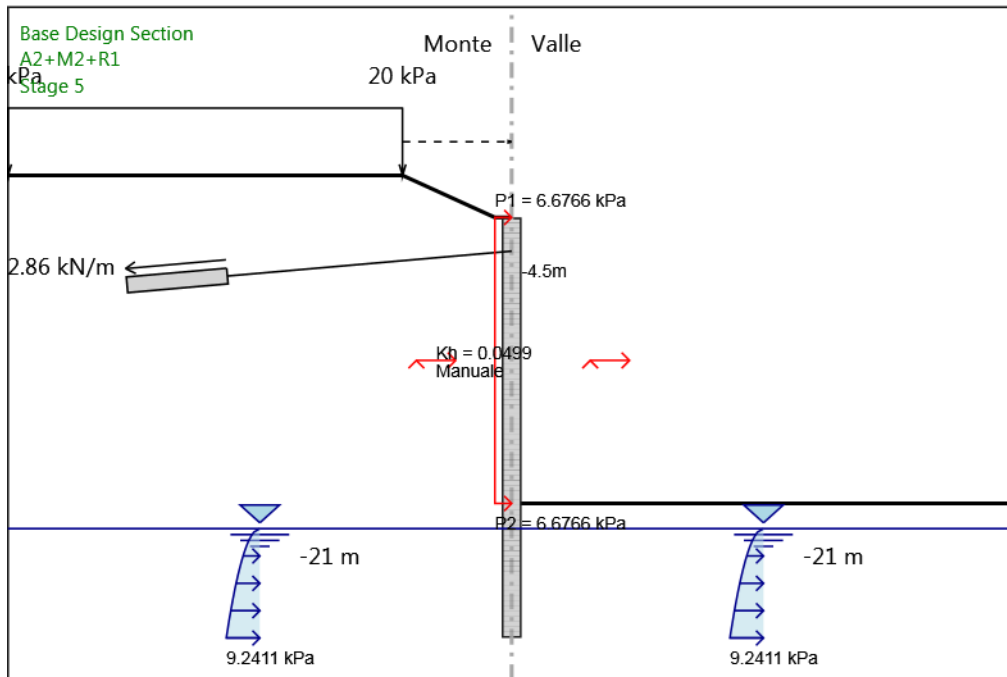
Design Assumption: A2+M2+R1
Stage: Stage 4
Taglio

Grafico Risultati Taglio A2+M2+R1 - Stage: Stage A



Design Assumption: A2+M2+R1
Stage: Stage A
Taglio

Grafico Risultati Taglio A2+M2+R1 - Stage: Stage 5



Design Assumption: A2+M2+R1
Stage: Stage 5
Taglio

Risultati Elementi strutturali - A2+M2+R1

Design Assumption: A2+M2+R1 Sollecitazione Tieback

Stage	Forza (kN/m)
Stage 3	142.9
Stage 4	142.9601
Stage A	142.9538
Stage 5	142.9538

Risultati SISMICA STR

Tabella Risultati Paratia SISMICA STR - Left Wall - Stage: Stage 1

Design Assumption: SISMICA STR Risultati Paratia		Muro: LEFT	
Stage	Z (m)	Momento (kN*m/m)	Taglio (kN/m)
Stage 1	-2.5	0	0
Stage 1	-2.7	0	0
Stage 1	-2.9	-0.03	-0.14
Stage 1	-3.1	-0.11	-0.42
Stage 1	-3.3	-0.34	-1.14
Stage 1	-3.5	-0.9	-2.8
Stage 1	-3.7	-1.97	-5.35
Stage 1	-3.9	-2.94	-4.86
Stage 1	-4.1	-3.85	-4.54
Stage 1	-4.3	-4.73	-4.38
Stage 1	-4.5	-5.6	-4.38
Stage 1	-4.7	-6.51	-4.54
Stage 1	-4.9	-7.48	-4.84
Stage 1	-5.1	-8.53	-5.27
Stage 1	-5.3	-9.11	-2.88
Stage 1	-5.5	-9.29	-0.9
Stage 1	-5.7	-9.14	0.71
Stage 1	-5.9	-8.75	1.99
Stage 1	-6.1	-8.15	2.98
Stage 1	-6.3	-7.46	3.42
Stage 1	-6.5	-6.73	3.67
Stage 1	-6.7	-5.98	3.77
Stage 1	-6.9	-5.23	3.74
Stage 1	-7.1	-4.5	3.62
Stage 1	-7.3	-3.82	3.43
Stage 1	-7.5	-3.18	3.2
Stage 1	-7.7	-2.59	2.92
Stage 1	-7.9	-2.07	2.63
Stage 1	-8.1	-1.6	2.34
Stage 1	-8.3	-1.19	2.04
Stage 1	-8.5	-0.84	1.76
Stage 1	-8.7	-0.54	1.49
Stage 1	-8.9	-0.3	1.23
Stage 1	-9.1	-0.1	1.01
Stage 1	-9.3	0.06	0.8
Stage 1	-9.5	0.19	0.62
Stage 1	-9.7	0.28	0.46
Stage 1	-9.9	0.34	0.32
Stage 1	-10.1	0.38	0.21
Stage 1	-10.3	0.41	0.11
Stage 1	-10.5	0.41	0.03
Stage 1	-10.7	0.41	-0.03
Stage 1	-10.9	0.39	-0.08
Stage 1	-11.1	0.37	-0.11
Stage 1	-11.3	0.34	-0.14
Stage 1	-11.5	0.31	-0.15
Stage 1	-11.7	0.28	-0.16
Stage 1	-11.9	0.25	-0.16
Stage 1	-12.1	0.21	-0.16
Stage 1	-12.3	0.18	-0.15
Stage 1	-12.5	0.15	-0.14
Stage 1	-12.7	0.13	-0.13
Stage 1	-12.9	0.1	-0.12
Stage 1	-13.1	0.08	-0.11
Stage 1	-13.3	0.06	-0.1
Stage 1	-13.5	0.05	-0.08
Stage 1	-13.7	0.03	-0.07
Stage 1	-13.9	0.02	-0.06
Stage 1	-14.1	0.01	-0.05
Stage 1	-14.3	0	-0.04
Stage 1	-14.5	-0.01	-0.03
Stage 1	-14.7	-0.01	-0.02
Stage 1	-14.9	-0.01	-0.02
Stage 1	-15.1	-0.02	-0.01

Design Assumption: SISMICA STR Risultati Paratia		Muro: LEFT	
Stage	Z (m)	Momento (kN*m/m)	Taglio (kN/m)
Stage 1	-15.3	-0.02	-0.01
Stage 1	-15.5	-0.02	0
Stage 1	-15.7	-0.02	0
Stage 1	-15.9	-0.02	0
Stage 1	-16.1	-0.02	0
Stage 1	-16.3	-0.02	0.01
Stage 1	-16.5	-0.01	0.01
Stage 1	-16.7	-0.01	0.01
Stage 1	-16.9	-0.01	0.01
Stage 1	-17.1	-0.01	0.01
Stage 1	-17.3	-0.01	0.01
Stage 1	-17.5	-0.01	0.01
Stage 1	-17.7	0	0.01
Stage 1	-17.9	0	0.01
Stage 1	-18.1	0	0.01
Stage 1	-18.3	0	0.01
Stage 1	-18.5	0	0.01
Stage 1	-18.7	0	0.01
Stage 1	-18.9	0	0.01
Stage 1	-19.1	0.01	0.01
Stage 1	-19.3	0.01	0.01
Stage 1	-19.5	0.01	0.01
Stage 1	-19.7	0.01	0.01
Stage 1	-19.9	0.01	0.01
Stage 1	-20.1	0.01	0.01
Stage 1	-20.3	0.01	0
Stage 1	-20.5	0.01	0
Stage 1	-20.7	0.01	0
Stage 1	-20.9	0.01	0
Stage 1	-21.1	0.01	0
Stage 1	-21.3	0.01	-0.01
Stage 1	-21.5	0.01	-0.01
Stage 1	-21.7	0.01	-0.01
Stage 1	-21.9	0	-0.02
Stage 1	-22.1	0	-0.03
Stage 1	-22.3	-0.01	-0.02
Stage 1	-22.5	-0.01	-0.01
Stage 1	-22.7	-0.01	-0.01
Stage 1	-22.9	-0.01	-0.01
Stage 1	-23.1	-0.01	0
Stage 1	-23.3	-0.01	0
Stage 1	-23.5	-0.01	0
Stage 1	-23.7	-0.01	0
Stage 1	-23.9	-0.01	0
Stage 1	-24.1	-0.01	0
Stage 1	-24.3	-0.01	0.01
Stage 1	-24.5	-0.01	0.01
Stage 1	-24.7	-0.01	0.01
Stage 1	-24.9	-0.01	0.01
Stage 1	-25.1	-0.01	0.01
Stage 1	-25.3	0	0
Stage 1	-25.5	0	0
Stage 1	-25.7	0	0
Stage 1	-25.9	0	0
Stage 1	-26.1	0	0
Stage 1	-26.3	0	0
Stage 1	-26.5	0	0
Stage 1	-26.7	0	0
Stage 1	-26.9	0	0
Stage 1	-27.1	0	0
Stage 1	-27.3	0	0
Stage 1	-27.5	0	0

Tabella Risultati Paratia SISMICA STR - Left Wall - Stage: Stage 2

Design Assumption: SISMICA STR Risultati Paratia		Muro: LEFT	
Stage	Z (m)	Momento (kN*m/m)	Taglio (kN/m)
Stage 2	-2.5	0	0
Stage 2	-2.7	0	0
Stage 2	-2.9	-0.03	-0.14
Stage 2	-3.1	-0.11	-0.42
Stage 2	-3.3	-0.28	-0.83
Stage 2	-3.5	-0.56	-1.39
Stage 2	-3.7	-0.97	-2.09
Stage 2	-3.9	-1.56	-2.93
Stage 2	-4.1	-2.35	-3.93
Stage 2	-4.3	-3.54	-5.95
Stage 2	-4.5	-5.33	-8.94
Stage 2	-4.7	-7.9	-12.9
Stage 2	-4.9	-11.46	-17.77
Stage 2	-5.1	-16.17	-23.55
Stage 2	-5.3	-20.49	-21.62
Stage 2	-5.5	-23.32	-14.12
Stage 2	-5.7	-24.89	-7.86
Stage 2	-5.9	-25.45	-2.79
Stage 2	-6.1	-25.21	1.17
Stage 2	-6.3	-24.26	4.76
Stage 2	-6.5	-22.78	7.39
Stage 2	-6.7	-20.95	9.19
Stage 2	-6.9	-18.89	10.28
Stage 2	-7.1	-16.73	10.81
Stage 2	-7.3	-14.55	10.87
Stage 2	-7.5	-12.44	10.59
Stage 2	-7.7	-10.43	10.04
Stage 2	-7.9	-8.57	9.31
Stage 2	-8.1	-6.87	8.46
Stage 2	-8.3	-5.37	7.54
Stage 2	-8.5	-4.04	6.61
Stage 2	-8.7	-2.91	5.69
Stage 2	-8.9	-1.94	4.8
Stage 2	-9.1	-1.15	3.98
Stage 2	-9.3	-0.5	3.22
Stage 2	-9.5	0	2.54
Stage 2	-9.7	0.39	1.94
Stage 2	-9.9	0.68	1.42
Stage 2	-10.1	0.87	0.98
Stage 2	-10.3	1	0.61
Stage 2	-10.5	1.06	0.31
Stage 2	-10.7	1.07	0.07
Stage 2	-10.9	1.05	-0.11
Stage 2	-11.1	1	-0.25
Stage 2	-11.3	0.93	-0.35
Stage 2	-11.5	0.85	-0.42
Stage 2	-11.7	0.76	-0.45
Stage 2	-11.9	0.66	-0.46
Stage 2	-12.1	0.57	-0.46
Stage 2	-12.3	0.48	-0.44
Stage 2	-12.5	0.4	-0.42
Stage 2	-12.7	0.32	-0.38
Stage 2	-12.9	0.26	-0.34
Stage 2	-13.1	0.19	-0.3
Stage 2	-13.3	0.14	-0.26
Stage 2	-13.5	0.1	-0.22
Stage 2	-13.7	0.06	-0.19
Stage 2	-13.9	0.03	-0.15
Stage 2	-14.1	0.01	-0.12
Stage 2	-14.3	-0.01	-0.09
Stage 2	-14.5	-0.02	-0.07
Stage 2	-14.7	-0.03	-0.04
Stage 2	-14.9	-0.04	-0.03
Stage 2	-15.1	-0.04	-0.01
Stage 2	-15.3	-0.04	0
Stage 2	-15.5	-0.04	0.01
Stage 2	-15.7	-0.03	0.02

Design Assumption: SISMICA STR Risultati Paratia		Muro: LEFT	
Stage	Z (m)	Momento (kN*m/m)	Taglio (kN/m)
Stage 2	-15.9	-0.03	0.02
Stage 2	-16.1	-0.03	0.02
Stage 2	-16.3	-0.02	0.02
Stage 2	-16.5	-0.02	0.02
Stage 2	-16.7	-0.02	0.01
Stage 2	-16.9	-0.01	0.01
Stage 2	-17.1	-0.01	0
Stage 2	-17.3	-0.02	-0.02
Stage 2	-17.5	-0.02	-0.03
Stage 2	-17.7	-0.03	-0.04
Stage 2	-17.9	-0.04	-0.06
Stage 2	-18.1	-0.06	-0.08
Stage 2	-18.3	-0.08	-0.1
Stage 2	-18.5	-0.11	-0.12
Stage 2	-18.7	-0.13	-0.15
Stage 2	-18.9	-0.17	-0.17
Stage 2	-19.1	-0.21	-0.19
Stage 2	-19.3	-0.25	-0.21
Stage 2	-19.5	-0.29	-0.23
Stage 2	-19.7	-0.34	-0.24
Stage 2	-19.9	-0.39	-0.24
Stage 2	-20.1	-0.44	-0.23
Stage 2	-20.3	-0.48	-0.22
Stage 2	-20.5	-0.52	-0.18
Stage 2	-20.7	-0.54	-0.13
Stage 2	-20.9	-0.55	-0.05
Stage 2	-21.1	-0.54	0.05
Stage 2	-21.3	-0.5	0.19
Stage 2	-21.5	-0.43	0.36
Stage 2	-21.7	-0.32	0.56
Stage 2	-21.9	-0.16	0.81
Stage 2	-22.1	0.06	1.1
Stage 2	-22.3	0.23	0.84
Stage 2	-22.5	0.35	0.61
Stage 2	-22.7	0.44	0.42
Stage 2	-22.9	0.49	0.26
Stage 2	-23.1	0.51	0.13
Stage 2	-23.3	0.52	0.02
Stage 2	-23.5	0.51	-0.06
Stage 2	-23.7	0.48	-0.12
Stage 2	-23.9	0.45	-0.16
Stage 2	-24.1	0.41	-0.19
Stage 2	-24.3	0.37	-0.21
Stage 2	-24.5	0.33	-0.22
Stage 2	-24.7	0.28	-0.21
Stage 2	-24.9	0.24	-0.21
Stage 2	-25.1	0.2	-0.2
Stage 2	-25.3	0.17	-0.18
Stage 2	-25.5	0.13	-0.16
Stage 2	-25.7	0.1	-0.14
Stage 2	-25.9	0.08	-0.12
Stage 2	-26.1	0.06	-0.11
Stage 2	-26.3	0.04	-0.09
Stage 2	-26.5	0.03	-0.07
Stage 2	-26.7	0.02	-0.05
Stage 2	-26.9	0.01	-0.04
Stage 2	-27.1	0	-0.03
Stage 2	-27.3	0	-0.01
Stage 2	-27.5	0	0

Tabella Risultati Paratia SISMICA STR - Left Wall - Stage: Stage 3

Design Assumption: SISMICA STR Risultati Paratia		Muro: LEFT	
Stage	Z (m)	Momento (kN*m/m)	Taglio (kN/m)
Stage 3	-2.5	0	-0.25
Stage 3	-2.7	-0.05	-0.25
Stage 3	-2.9	-1.17	-5.58
Stage 3	-3.1	-3.4	-11.18
Stage 3	-3.3	-6.81	-17.02
Stage 3	-3.5	-11.43	-23.11
Stage 3	-3.7	-17.31	-29.41
Stage 3	-3.9	-24.5	-35.92
Stage 3	-4.1	-33.02	-42.6
Stage 3	-4.3	-43.01	-49.98
Stage 3	-4.5	-54.61	-57.99
Stage 3	-4.7	-39.46	75.76
Stage 3	-4.9	-26.13	66.63
Stage 3	-5.1	-14.73	57.02
Stage 3	-5.3	-6.13	43
Stage 3	-5.5	0.7	34.17
Stage 3	-5.7	5.95	26.21
Stage 3	-5.9	9.81	19.32
Stage 3	-6.1	12.52	13.53
Stage 3	-6.3	14.11	7.99
Stage 3	-6.5	14.83	3.57
Stage 3	-6.7	14.85	0.13
Stage 3	-6.9	14.36	-2.46
Stage 3	-7.1	13.5	-4.32
Stage 3	-7.3	12.38	-5.57
Stage 3	-7.5	11.12	-6.32
Stage 3	-7.7	9.79	-6.67
Stage 3	-7.9	8.45	-6.7
Stage 3	-8.1	7.15	-6.5
Stage 3	-8.3	5.92	-6.12
Stage 3	-8.5	4.8	-5.63
Stage 3	-8.7	3.78	-5.06
Stage 3	-8.9	2.89	-4.46
Stage 3	-9.1	2.12	-3.86
Stage 3	-9.3	1.46	-3.27
Stage 3	-9.5	0.92	-2.72
Stage 3	-9.7	0.48	-2.21
Stage 3	-9.9	0.13	-1.75
Stage 3	-10.1	-0.14	-1.34
Stage 3	-10.3	-0.34	-0.99
Stage 3	-10.5	-0.47	-0.69
Stage 3	-10.7	-0.56	-0.44
Stage 3	-10.9	-0.61	-0.23
Stage 3	-11.1	-0.62	-0.07
Stage 3	-11.3	-0.61	0.05
Stage 3	-11.5	-0.58	0.14
Stage 3	-11.7	-0.54	0.21
Stage 3	-11.9	-0.49	0.25
Stage 3	-12.1	-0.44	0.27
Stage 3	-12.3	-0.38	0.28
Stage 3	-12.5	-0.33	0.27
Stage 3	-12.7	-0.27	0.26
Stage 3	-12.9	-0.23	0.24
Stage 3	-13.1	-0.18	0.22
Stage 3	-13.3	-0.14	0.2
Stage 3	-13.5	-0.11	0.17
Stage 3	-13.7	-0.08	0.15
Stage 3	-13.9	-0.05	0.13
Stage 3	-14.1	-0.03	0.11
Stage 3	-14.3	-0.01	0.09
Stage 3	-14.5	0	0.07
Stage 3	-14.7	0.01	0.05
Stage 3	-14.9	0.02	0.04
Stage 3	-15.1	0.03	0.03
Stage 3	-15.3	0.03	0.02
Stage 3	-15.5	0.03	0.02
Stage 3	-15.7	0.04	0.01

Design Assumption: SISMICA STR Risultati Paratia		Muro: LEFT	
Stage	Z (m)	Momento (kN*m/m)	Taglio (kN/m)
Stage 3	-15.9	0.04	0
Stage 3	-16.1	0.04	0
Stage 3	-16.3	0.03	-0.01
Stage 3	-16.5	0.03	-0.01
Stage 3	-16.7	0.03	-0.02
Stage 3	-16.9	0.02	-0.03
Stage 3	-17.1	0.02	-0.03
Stage 3	-17.3	0.01	-0.04
Stage 3	-17.5	0	-0.05
Stage 3	-17.7	-0.02	-0.07
Stage 3	-17.9	-0.03	-0.08
Stage 3	-18.1	-0.05	-0.1
Stage 3	-18.3	-0.08	-0.12
Stage 3	-18.5	-0.1	-0.13
Stage 3	-18.7	-0.13	-0.16
Stage 3	-18.9	-0.17	-0.18
Stage 3	-19.1	-0.21	-0.2
Stage 3	-19.3	-0.25	-0.21
Stage 3	-19.5	-0.3	-0.23
Stage 3	-19.7	-0.34	-0.24
Stage 3	-19.9	-0.39	-0.24
Stage 3	-20.1	-0.44	-0.23
Stage 3	-20.3	-0.48	-0.21
Stage 3	-20.5	-0.52	-0.18
Stage 3	-20.7	-0.54	-0.13
Stage 3	-20.9	-0.55	-0.05
Stage 3	-21.1	-0.54	0.05
Stage 3	-21.3	-0.5	0.19
Stage 3	-21.5	-0.43	0.36
Stage 3	-21.7	-0.32	0.56
Stage 3	-21.9	-0.16	0.81
Stage 3	-22.1	0.06	1.1
Stage 3	-22.3	0.23	0.84
Stage 3	-22.5	0.35	0.61
Stage 3	-22.7	0.43	0.42
Stage 3	-22.9	0.49	0.26
Stage 3	-23.1	0.51	0.13
Stage 3	-23.3	0.52	0.02
Stage 3	-23.5	0.51	-0.06
Stage 3	-23.7	0.48	-0.12
Stage 3	-23.9	0.45	-0.16
Stage 3	-24.1	0.41	-0.19
Stage 3	-24.3	0.37	-0.21
Stage 3	-24.5	0.33	-0.22
Stage 3	-24.7	0.28	-0.21
Stage 3	-24.9	0.24	-0.21
Stage 3	-25.1	0.2	-0.2
Stage 3	-25.3	0.17	-0.18
Stage 3	-25.5	0.13	-0.16
Stage 3	-25.7	0.1	-0.14
Stage 3	-25.9	0.08	-0.12
Stage 3	-26.1	0.06	-0.11
Stage 3	-26.3	0.04	-0.09
Stage 3	-26.5	0.03	-0.07
Stage 3	-26.7	0.02	-0.05
Stage 3	-26.9	0.01	-0.04
Stage 3	-27.1	0	-0.03
Stage 3	-27.3	0	-0.01
Stage 3	-27.5	0	0

Tabella Risultati Paratia SISMICA STR - Left Wall - Stage: Stage 4

Design Assumption: SISMICA STR Risultati Paratia		Muro: LEFT	
Stage	Z (m)	Momento (kN*m/m)	Taglio (kN/m)
Stage 4	-2.5	0	-0.25
Stage 4	-2.7	-0.05	-0.25
Stage 4	-2.9	-1.41	-6.79
Stage 4	-3.1	-4.09	-13.43
Stage 4	-3.3	-8.13	-20.17
Stage 4	-3.5	-13.52	-26.98
Stage 4	-3.7	-20.3	-33.87
Stage 4	-3.9	-28.45	-40.79
Stage 4	-4.1	-38	-47.74
Stage 4	-4.3	-49.05	-55.22
Stage 4	-4.5	-61.67	-63.14
Stage 4	-4.7	-47.47	71.01
Stage 4	-4.9	-34.98	62.48
Stage 4	-5.1	-24.23	53.72
Stage 4	-5.3	-15.45	43.92
Stage 4	-5.5	-8.41	35.17
Stage 4	-5.7	-3.02	26.98
Stage 4	-5.9	0.91	19.65
Stage 4	-6.1	3.57	13.29
Stage 4	-6.3	5.37	9.01
Stage 4	-6.5	6.57	6.01
Stage 4	-6.7	7.42	4.25
Stage 4	-6.9	8.15	3.64
Stage 4	-7.1	8.88	3.64
Stage 4	-7.3	9.6	3.64
Stage 4	-7.5	10.33	3.64
Stage 4	-7.7	11.06	3.64
Stage 4	-7.9	11.79	3.64
Stage 4	-8.1	12.51	3.64
Stage 4	-8.3	13.24	3.64
Stage 4	-8.5	13.97	3.64
Stage 4	-8.7	14.69	3.64
Stage 4	-8.9	15.42	3.64
Stage 4	-9.1	16.15	3.64
Stage 4	-9.3	16.88	3.64
Stage 4	-9.5	17.6	3.64
Stage 4	-9.7	18.33	3.64
Stage 4	-9.9	19.06	3.64
Stage 4	-10.1	19.78	3.64
Stage 4	-10.3	20.51	3.64
Stage 4	-10.5	21.24	3.64
Stage 4	-10.7	21.96	3.64
Stage 4	-10.9	22.69	3.64
Stage 4	-11.1	23.42	3.64
Stage 4	-11.3	24.15	3.64
Stage 4	-11.5	24.87	3.64
Stage 4	-11.7	25.6	3.64
Stage 4	-11.9	26.33	3.64
Stage 4	-12.1	27.05	3.64
Stage 4	-12.3	27.78	3.64
Stage 4	-12.5	28.51	3.64
Stage 4	-12.7	29.24	3.64
Stage 4	-12.9	29.96	3.64
Stage 4	-13.1	30.69	3.64
Stage 4	-13.3	31.42	3.64
Stage 4	-13.5	32.14	3.64
Stage 4	-13.7	32.87	3.64
Stage 4	-13.9	33.6	3.64
Stage 4	-14.1	34.33	3.64
Stage 4	-14.3	35.05	3.64
Stage 4	-14.5	35.78	3.64
Stage 4	-14.7	36.51	3.64
Stage 4	-14.9	37.23	3.64
Stage 4	-15.1	37.96	3.64
Stage 4	-15.3	38.69	3.64
Stage 4	-15.5	39.42	3.64
Stage 4	-15.7	40.14	3.64

Design Assumption: SISMICA STR Risultati Paratia		Muro: LEFT	
Stage	Z (m)	Momento (kN*m/m)	Taglio (kN/m)
Stage 4	-15.9	40.87	3.64
Stage 4	-16.1	41.6	3.64
Stage 4	-16.3	42.32	3.64
Stage 4	-16.5	43.05	3.64
Stage 4	-16.7	43.78	3.64
Stage 4	-16.9	44.51	3.64
Stage 4	-17.1	45.23	3.64
Stage 4	-17.3	45.96	3.64
Stage 4	-17.5	46.69	3.64
Stage 4	-17.7	47.41	3.64
Stage 4	-17.9	48.14	3.64
Stage 4	-18.1	48.87	3.64
Stage 4	-18.3	49.6	3.64
Stage 4	-18.5	50.32	3.64
Stage 4	-18.7	51.05	3.64
Stage 4	-18.9	51.78	3.64
Stage 4	-19.1	52.5	3.64
Stage 4	-19.3	53.23	3.64
Stage 4	-19.5	53.96	3.64
Stage 4	-19.7	54.68	3.64
Stage 4	-19.9	55.41	3.64
Stage 4	-20.1	55.91	2.51
Stage 4	-20.3	55.92	0.03
Stage 4	-20.5	55.15	-3.86
Stage 4	-20.7	53.31	-9.2
Stage 4	-20.9	50.1	-16.06
Stage 4	-21.1	45.2	-24.49
Stage 4	-21.3	38.64	-32.81
Stage 4	-21.5	30.76	-39.35
Stage 4	-21.7	21.93	-44.15
Stage 4	-21.9	12.49	-47.24
Stage 4	-22.1	2.76	-48.63
Stage 4	-22.3	-7.61	-51.86
Stage 4	-22.5	-18.02	-52.02
Stage 4	-22.7	-27.84	-49.11
Stage 4	-22.9	-36.46	-43.11
Stage 4	-23.1	-43.26	-34
Stage 4	-23.3	-48.13	-24.33
Stage 4	-23.5	-51.28	-15.76
Stage 4	-23.7	-52.92	-8.22
Stage 4	-23.9	-53.26	-1.67
Stage 4	-24.1	-52.47	3.93
Stage 4	-24.3	-50.74	8.66
Stage 4	-24.5	-48.23	12.57
Stage 4	-24.7	-45.09	15.71
Stage 4	-24.9	-41.46	18.13
Stage 4	-25.1	-37.48	19.9
Stage 4	-25.3	-33.26	21.06
Stage 4	-25.5	-28.93	21.66
Stage 4	-25.7	-24.59	21.72
Stage 4	-25.9	-20.33	21.29
Stage 4	-26.1	-16.26	20.38
Stage 4	-26.3	-12.45	19.03
Stage 4	-26.5	-9	17.25
Stage 4	-26.7	-5.99	15.05
Stage 4	-26.9	-3.5	12.43
Stage 4	-27.1	-1.62	9.41
Stage 4	-27.3	-0.43	5.98
Stage 4	-27.5	0	2.13

Tabella Risultati Paratia SISMICA STR - Left Wall - Stage: Stage A

Design Assumption: SISMICA STR Risultati Paratia		Muro: LEFT	
Stage	Z (m)	Momento (kN*m/m)	Taglio (kN/m)
Stage A	-2.5	0	-0.25
Stage A	-2.7	-0.05	-0.25
Stage A	-2.9	-1.42	-6.87
Stage A	-3.1	-4.14	-13.58
Stage A	-3.3	-8.22	-20.38
Stage A	-3.5	-13.67	-27.26
Stage A	-3.7	-20.51	-34.2
Stage A	-3.9	-28.74	-41.17
Stage A	-4.1	-38.37	-48.16
Stage A	-4.3	-49.51	-55.67
Stage A	-4.5	-62.24	-63.65
Stage A	-4.7	-48.15	70.46
Stage A	-4.9	-35.76	61.91
Stage A	-5.1	-25.14	53.13
Stage A	-5.3	-16.48	43.3
Stage A	-5.5	-9.56	34.58
Stage A	-5.7	-4.27	26.44
Stage A	-5.9	-0.43	19.22
Stage A	-6.1	2.17	13.01
Stage A	-6.3	3.96	8.96
Stage A	-6.5	5.21	6.25
Stage A	-6.7	6.18	4.82
Stage A	-6.9	7.1	4.61
Stage A	-7.1	8.02	4.61
Stage A	-7.3	8.95	4.61
Stage A	-7.5	9.87	4.61
Stage A	-7.7	10.79	4.61
Stage A	-7.9	11.71	4.61
Stage A	-8.1	12.64	4.61
Stage A	-8.3	13.56	4.61
Stage A	-8.5	14.48	4.61
Stage A	-8.7	15.41	4.61
Stage A	-8.9	16.33	4.61
Stage A	-9.1	17.25	4.61
Stage A	-9.3	18.17	4.61
Stage A	-9.5	19.1	4.61
Stage A	-9.7	20.02	4.61
Stage A	-9.9	20.94	4.61
Stage A	-10.1	21.86	4.61
Stage A	-10.3	22.79	4.61
Stage A	-10.5	23.71	4.61
Stage A	-10.7	24.63	4.61
Stage A	-10.9	25.55	4.61
Stage A	-11.1	26.48	4.61
Stage A	-11.3	27.4	4.61
Stage A	-11.5	28.32	4.61
Stage A	-11.7	29.25	4.61
Stage A	-11.9	30.17	4.61
Stage A	-12.1	31.09	4.61
Stage A	-12.3	32.01	4.61
Stage A	-12.5	32.94	4.61
Stage A	-12.7	33.86	4.61
Stage A	-12.9	34.78	4.61
Stage A	-13.1	35.7	4.61
Stage A	-13.3	36.63	4.61
Stage A	-13.5	37.55	4.61
Stage A	-13.7	38.47	4.61
Stage A	-13.9	39.4	4.61
Stage A	-14.1	40.32	4.61
Stage A	-14.3	41.24	4.61
Stage A	-14.5	42.16	4.61
Stage A	-14.7	43.09	4.61
Stage A	-14.9	44.01	4.61
Stage A	-15.1	44.93	4.61
Stage A	-15.3	45.85	4.61
Stage A	-15.5	46.78	4.61
Stage A	-15.7	47.7	4.61

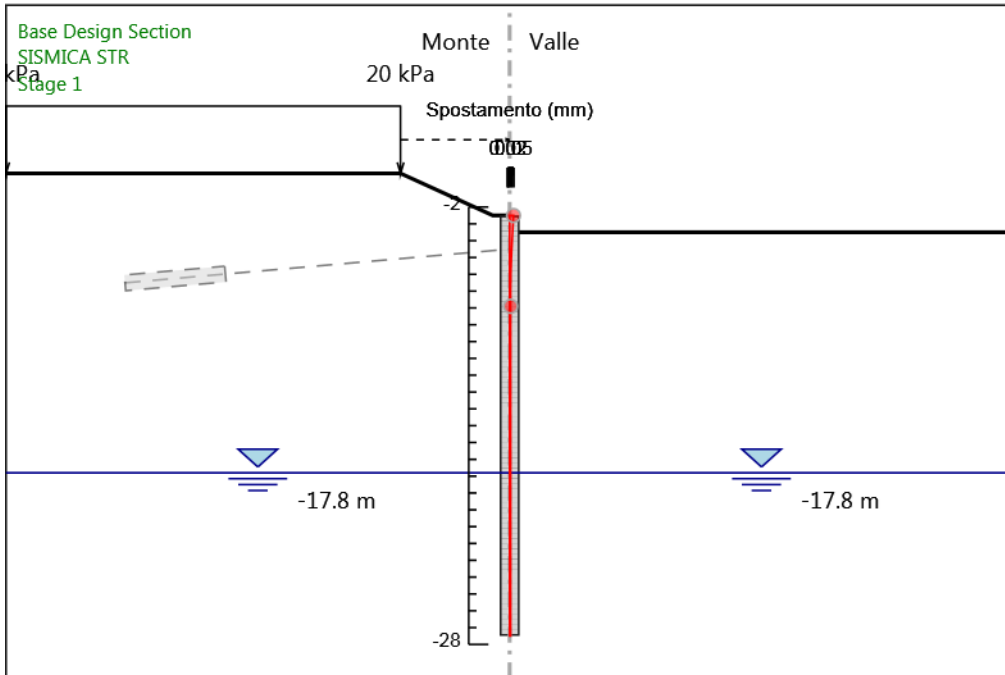
Design Assumption: SISMICA STR Risultati Paratia		Muro: LEFT	
Stage	Z (m)	Momento (kN*m/m)	Taglio (kN/m)
Stage A	-15.9	48.62	4.61
Stage A	-16.1	49.54	4.61
Stage A	-16.3	50.47	4.61
Stage A	-16.5	51.39	4.61
Stage A	-16.7	52.31	4.61
Stage A	-16.9	53.24	4.61
Stage A	-17.1	54.16	4.61
Stage A	-17.3	55.08	4.61
Stage A	-17.5	56	4.61
Stage A	-17.7	56.93	4.61
Stage A	-17.9	57.85	4.61
Stage A	-18.1	58.75	4.52
Stage A	-18.3	59.6	4.24
Stage A	-18.5	60.35	3.77
Stage A	-18.7	60.97	3.09
Stage A	-18.9	61.41	2.2
Stage A	-19.1	61.63	1.08
Stage A	-19.3	61.57	-0.27
Stage A	-19.5	61.2	-1.86
Stage A	-19.7	60.46	-3.7
Stage A	-19.9	59.34	-5.61
Stage A	-20.1	57.59	-8.73
Stage A	-20.3	54.94	-13.27
Stage A	-20.5	51.08	-19.27
Stage A	-20.7	45.78	-26.52
Stage A	-20.9	38.77	-35.05
Stage A	-21.1	29.79	-44.92
Stage A	-21.3	20.51	-46.41
Stage A	-21.5	10.87	-48.17
Stage A	-21.7	0.97	-49.52
Stage A	-21.9	-9.07	-50.17
Stage A	-22.1	-19.06	-49.97
Stage A	-22.3	-29.2	-50.7
Stage A	-22.5	-38.98	-48.9
Stage A	-22.7	-47.87	-44.47
Stage A	-22.9	-55.34	-37.35
Stage A	-23.1	-60.84	-27.45
Stage A	-23.3	-64.29	-17.28
Stage A	-23.5	-65.98	-8.43
Stage A	-23.7	-66.14	-0.82
Stage A	-23.9	-65.02	5.64
Stage A	-24.1	-62.81	11.03
Stage A	-24.3	-59.72	15.44
Stage A	-24.5	-55.93	18.94
Stage A	-24.7	-51.61	21.62
Stage A	-24.9	-46.9	23.55
Stage A	-25.1	-41.94	24.79
Stage A	-25.3	-36.86	25.41
Stage A	-25.5	-31.76	25.47
Stage A	-25.7	-26.76	25.01
Stage A	-25.9	-21.95	24.06
Stage A	-26.1	-17.42	22.68
Stage A	-26.3	-13.24	20.87
Stage A	-26.5	-9.5	18.68
Stage A	-26.7	-6.28	16.11
Stage A	-26.9	-3.65	13.16
Stage A	-27.1	-1.68	9.86
Stage A	-27.3	-0.44	6.2
Stage A	-27.5	0	2.19

Tabella Risultati Paratia SISMICA STR - Left Wall - Stage: Stage 5

Design Assumption: SISMICA STR Risultati Paratia		Muro: LEFT	
Stage	Z (m)	Momento (kN*m/m)	Taglio (kN/m)
Stage 5	-2.5	0	-0.86
Stage 5	-2.7	-0.17	-0.86
Stage 5	-2.9	-2.02	-9.26
Stage 5	-3.1	-5.49	-17.32
Stage 5	-3.3	-10.49	-25.02
Stage 5	-3.5	-16.95	-32.29
Stage 5	-3.7	-24.76	-39.04
Stage 5	-3.9	-33.81	-45.24
Stage 5	-4.1	-43.98	-50.88
Stage 5	-4.3	-55.26	-56.39
Stage 5	-4.5	-67.61	-61.72
Stage 5	-4.7	-52.32	76.44
Stage 5	-4.9	-37.95	71.82
Stage 5	-5.1	-24.43	67.63
Stage 5	-5.3	-11.68	63.75
Stage 5	-5.5	0.27	59.73
Stage 5	-5.7	11.38	55.58
Stage 5	-5.9	21.64	51.27
Stage 5	-6.1	31	46.82
Stage 5	-6.3	40.06	45.3
Stage 5	-6.5	48.82	43.81
Stage 5	-6.7	57.28	42.27
Stage 5	-6.9	65.42	40.73
Stage 5	-7.1	73.26	39.19
Stage 5	-7.3	80.79	37.66
Stage 5	-7.5	88.02	36.12
Stage 5	-7.7	94.93	34.58
Stage 5	-7.9	101.54	33.05
Stage 5	-8.1	107.84	31.51
Stage 5	-8.3	113.84	29.97
Stage 5	-8.5	119.53	28.44
Stage 5	-8.7	124.91	26.9
Stage 5	-8.9	129.98	25.36
Stage 5	-9.1	134.74	23.82
Stage 5	-9.3	139.2	22.29
Stage 5	-9.5	143.35	20.75
Stage 5	-9.7	147.19	19.21
Stage 5	-9.9	150.73	17.68
Stage 5	-10.1	153.96	16.14
Stage 5	-10.3	156.88	14.6
Stage 5	-10.5	159.49	13.07
Stage 5	-10.7	161.8	11.53
Stage 5	-10.9	163.79	9.99
Stage 5	-11.1	165.48	8.45
Stage 5	-11.3	166.87	6.92
Stage 5	-11.5	167.94	5.38
Stage 5	-11.7	168.71	3.84
Stage 5	-11.9	169.17	2.31
Stage 5	-12.1	169.33	0.77
Stage 5	-12.3	169.18	-0.77
Stage 5	-12.5	168.71	-2.3
Stage 5	-12.7	167.95	-3.84
Stage 5	-12.9	166.87	-5.38
Stage 5	-13.1	165.49	-6.92
Stage 5	-13.3	163.8	-8.45
Stage 5	-13.5	161.8	-9.99
Stage 5	-13.7	159.49	-11.53
Stage 5	-13.9	156.88	-13.06
Stage 5	-14.1	153.96	-14.6
Stage 5	-14.3	150.73	-16.14
Stage 5	-14.5	147.2	-17.67
Stage 5	-14.7	143.36	-19.21
Stage 5	-14.9	139.21	-20.75
Stage 5	-15.1	134.75	-22.29
Stage 5	-15.3	129.99	-23.82
Stage 5	-15.5	124.91	-25.36
Stage 5	-15.7	119.53	-26.9

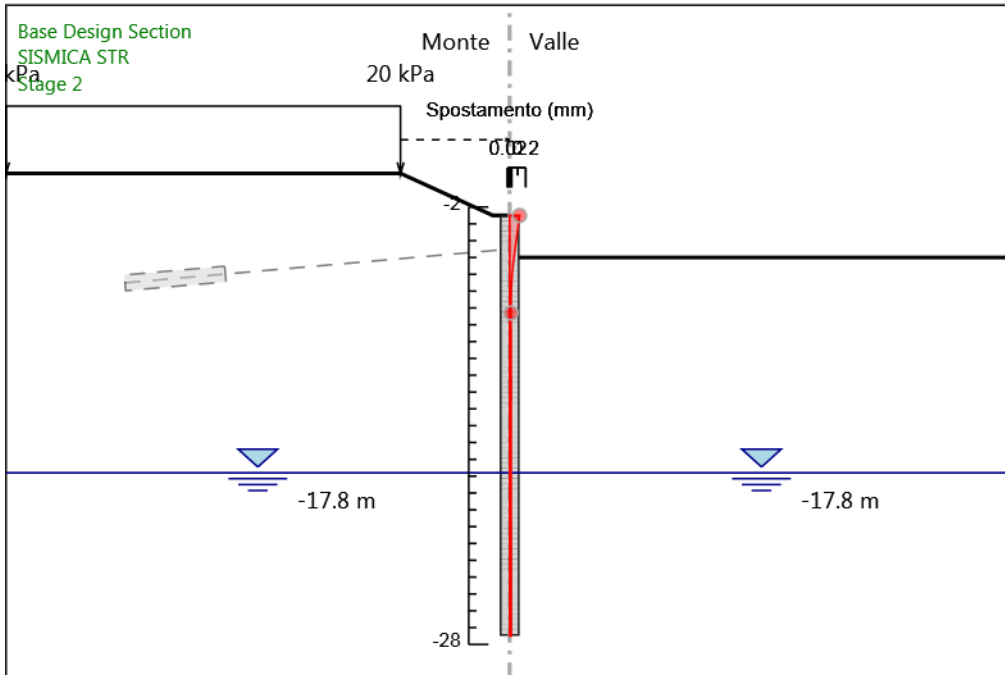
Design Assumption: SISMICA STR Risultati Paratia		Muro: LEFT	
Stage	Z (m)	Momento (kN*m/m)	Taglio (kN/m)
Stage 5	-15.9	113.85	-28.43
Stage 5	-16.1	107.85	-29.97
Stage 5	-16.3	101.55	-31.51
Stage 5	-16.5	94.94	-33.04
Stage 5	-16.7	88.03	-34.58
Stage 5	-16.9	80.8	-36.12
Stage 5	-17.1	73.27	-37.66
Stage 5	-17.3	65.43	-39.19
Stage 5	-17.5	57.29	-40.73
Stage 5	-17.7	48.83	-42.27
Stage 5	-17.9	40.07	-43.8
Stage 5	-18.1	31.01	-45.34
Stage 5	-18.3	21.63	-46.88
Stage 5	-18.5	11.95	-48.41
Stage 5	-18.7	1.96	-49.95
Stage 5	-18.9	-8.34	-51.49
Stage 5	-19.1	-18.95	-53.03
Stage 5	-19.3	-29.86	-54.56
Stage 5	-19.5	-41.08	-56.1
Stage 5	-19.7	-52.45	-56.87
Stage 5	-19.9	-62.87	-52.08
Stage 5	-20.1	-72.34	-47.34
Stage 5	-20.3	-80.86	-42.61
Stage 5	-20.5	-88.43	-37.85
Stage 5	-20.7	-95.01	-32.91
Stage 5	-20.9	-100.95	-29.7
Stage 5	-21.1	-106.84	-29.43
Stage 5	-21.3	-111.2	-21.84
Stage 5	-21.5	-114.55	-16.75
Stage 5	-21.7	-117.16	-13.02
Stage 5	-21.9	-119.18	-10.13
Stage 5	-22.1	-120.72	-7.69
Stage 5	-22.3	-122.29	-7.84
Stage 5	-22.5	-123.53	-6.22
Stage 5	-22.7	-124.06	-2.62
Stage 5	-22.9	-123.43	3.14
Stage 5	-23.1	-121.17	11.27
Stage 5	-23.3	-117.31	19.34
Stage 5	-23.5	-112.13	25.86
Stage 5	-23.7	-105.94	30.97
Stage 5	-23.9	-98.98	34.82
Stage 5	-24.1	-91.47	37.55
Stage 5	-24.3	-83.61	39.31
Stage 5	-24.5	-75.57	40.19
Stage 5	-24.7	-67.5	40.33
Stage 5	-24.9	-59.54	39.82
Stage 5	-25.1	-51.78	38.76
Stage 5	-25.3	-44.34	37.21
Stage 5	-25.5	-37.29	35.25
Stage 5	-25.7	-30.7	32.95
Stage 5	-25.9	-24.63	30.34
Stage 5	-26.1	-19.14	27.48
Stage 5	-26.3	-14.26	24.39
Stage 5	-26.5	-10.04	21.1
Stage 5	-26.7	-6.51	17.63
Stage 5	-26.9	-3.71	14
Stage 5	-27.1	-1.67	10.2
Stage 5	-27.3	-0.43	6.24
Stage 5	-27.5	0	2.13

Grafico Spostamento SISMICA STR - Stage: Stage 1



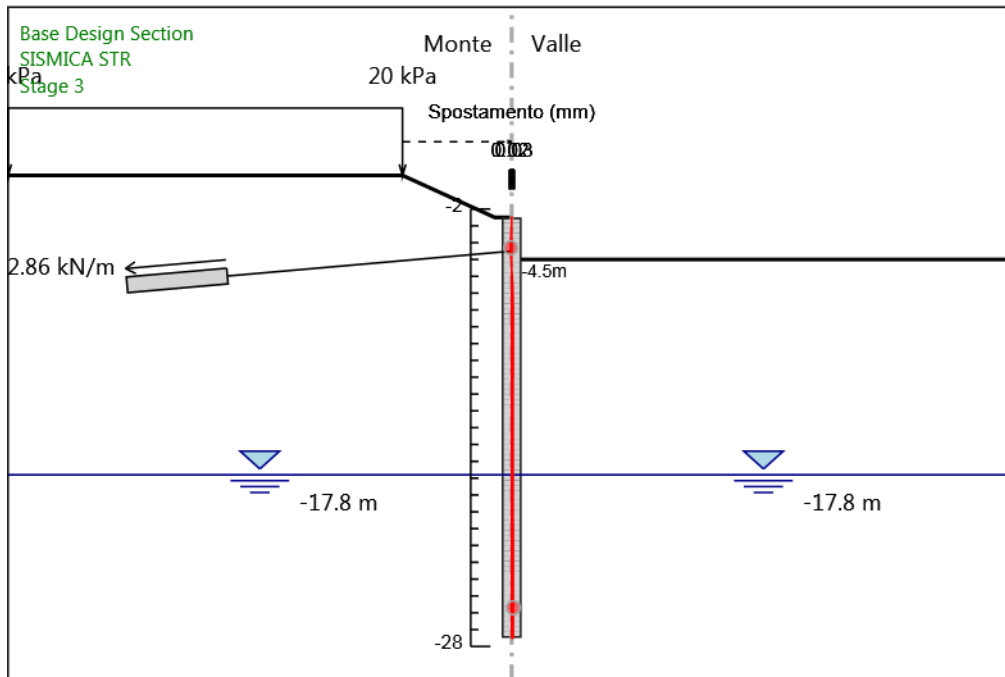
Design Assumption: SISMICA STR
Stage: Stage 1
Spostamento

Grafico Spostamento SISMICA STR - Stage: Stage 2



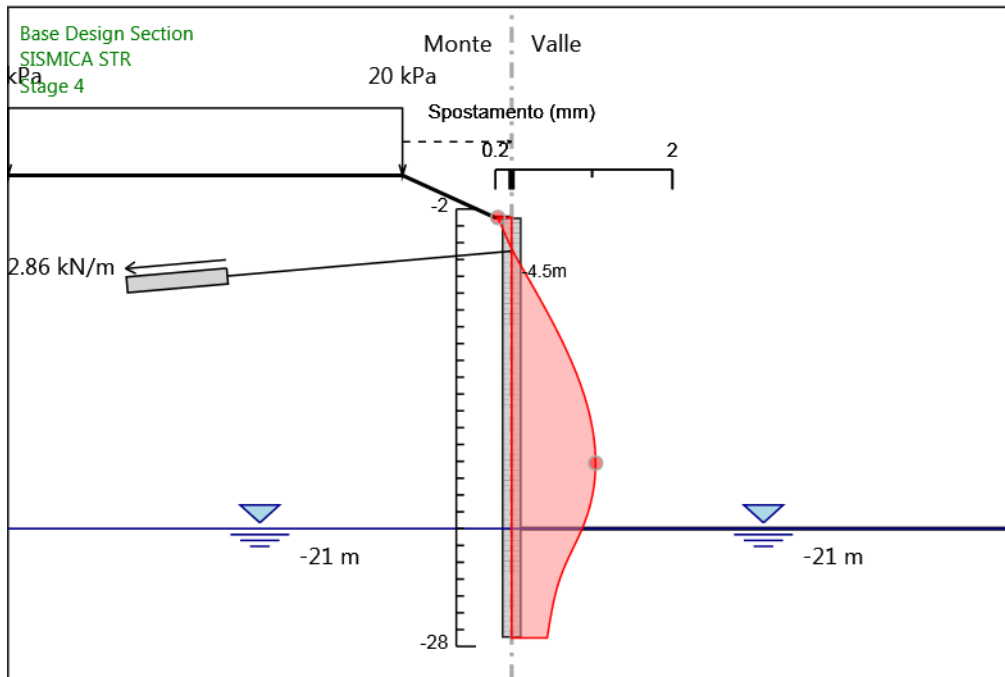
Design Assumption: SISMICA STR
Stage: Stage 2
Spostamento

Grafico Spostamento SISMICA STR - Stage: Stage 3



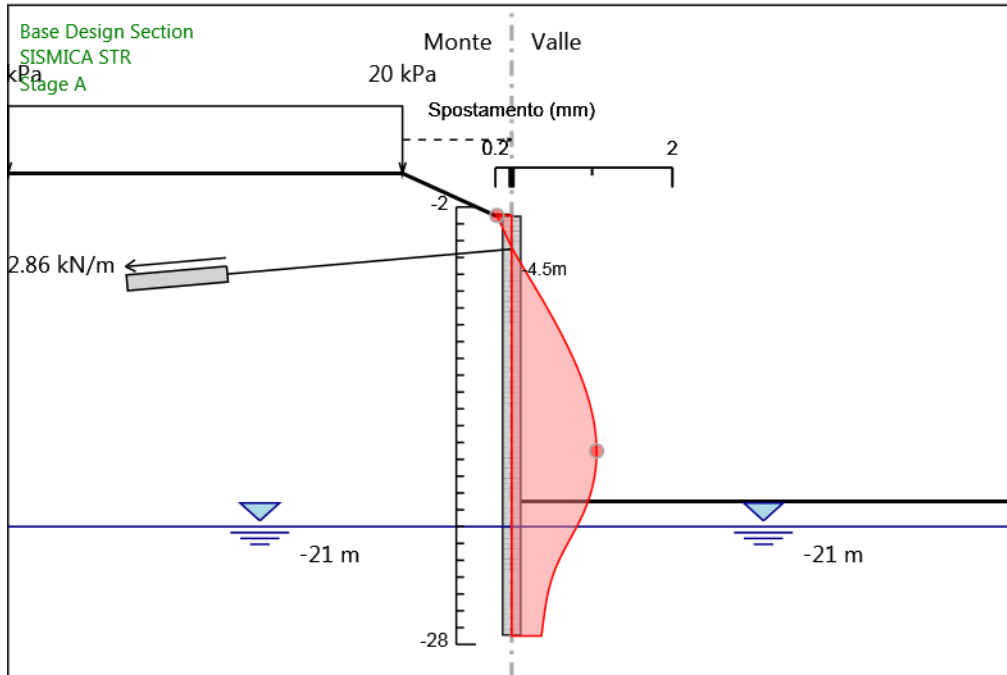
Design Assumption: SISMICA STR
Stage: Stage 3
Spostamento

Grafico Spostamento SISMICA STR - Stage: Stage 4



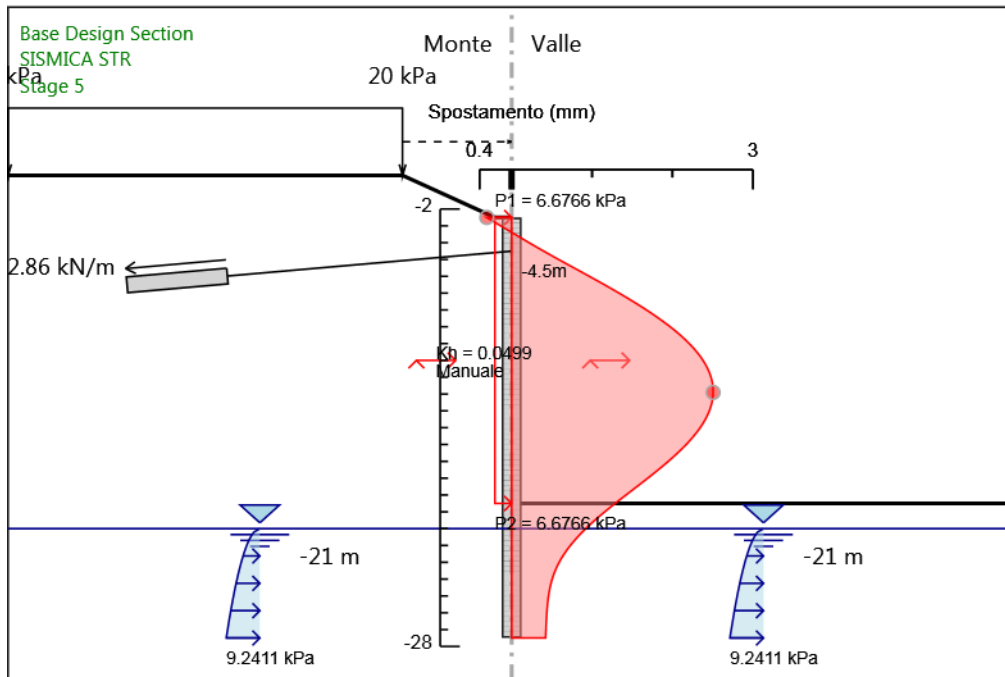
Design Assumption: SISMICA STR
Stage: Stage 4
Spostamento

Grafico Spostamento SISMICA STR - Stage: Stage A



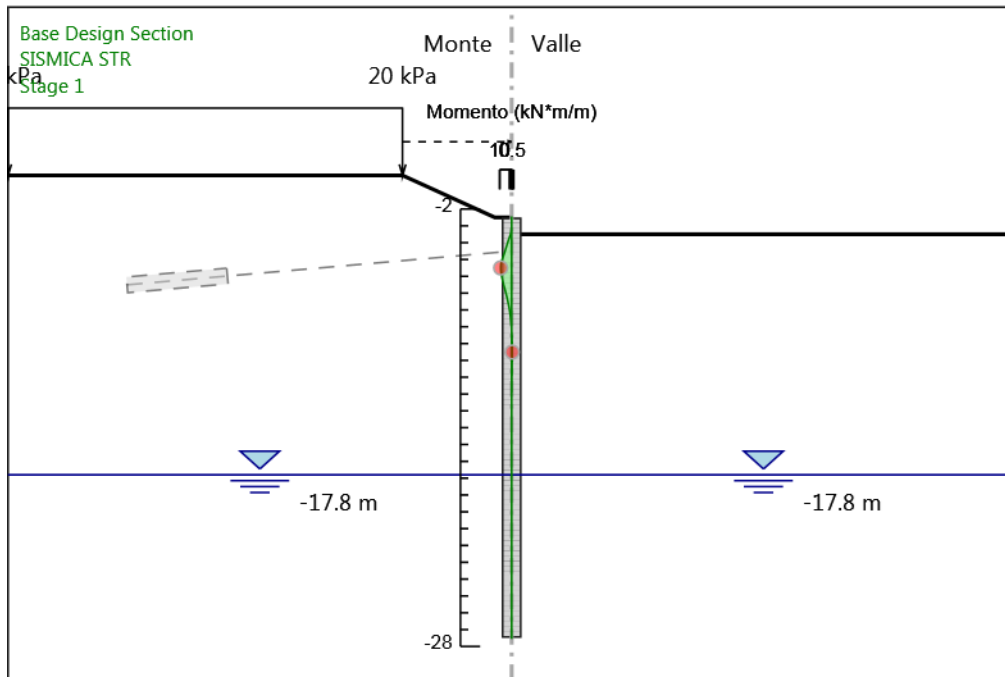
Design Assumption: SISMICA STR
Stage: Stage A
Spostamento

Grafico Spostamento SISMICA STR - Stage: Stage 5



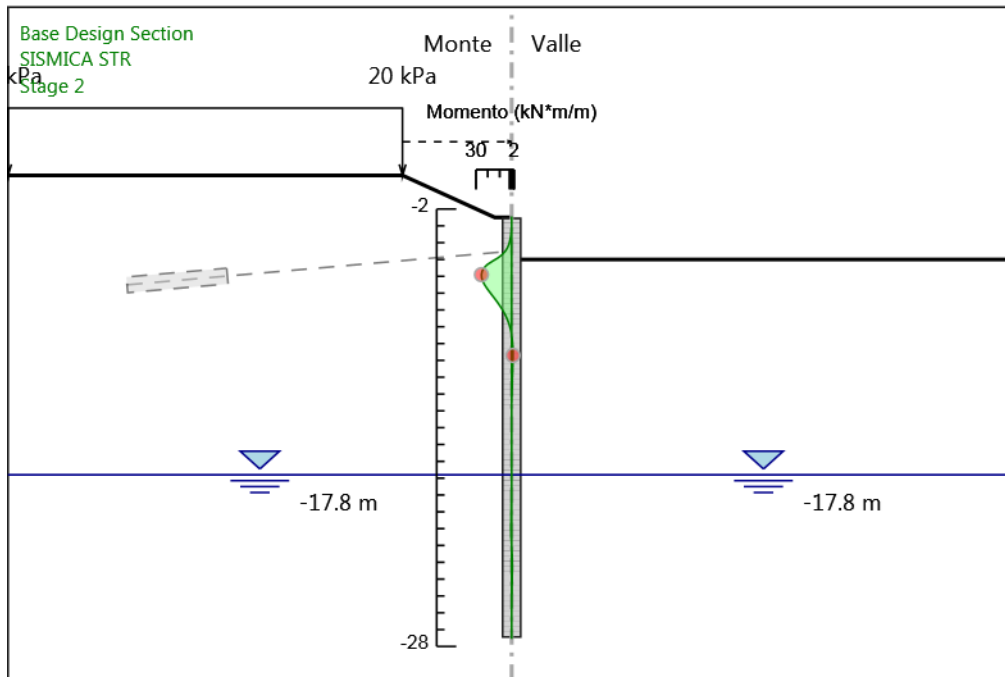
Design Assumption: SISMICA STR
Stage: Stage 5
Spostamento

Grafico Risultati Momento SISMICA STR - Stage: Stage 1



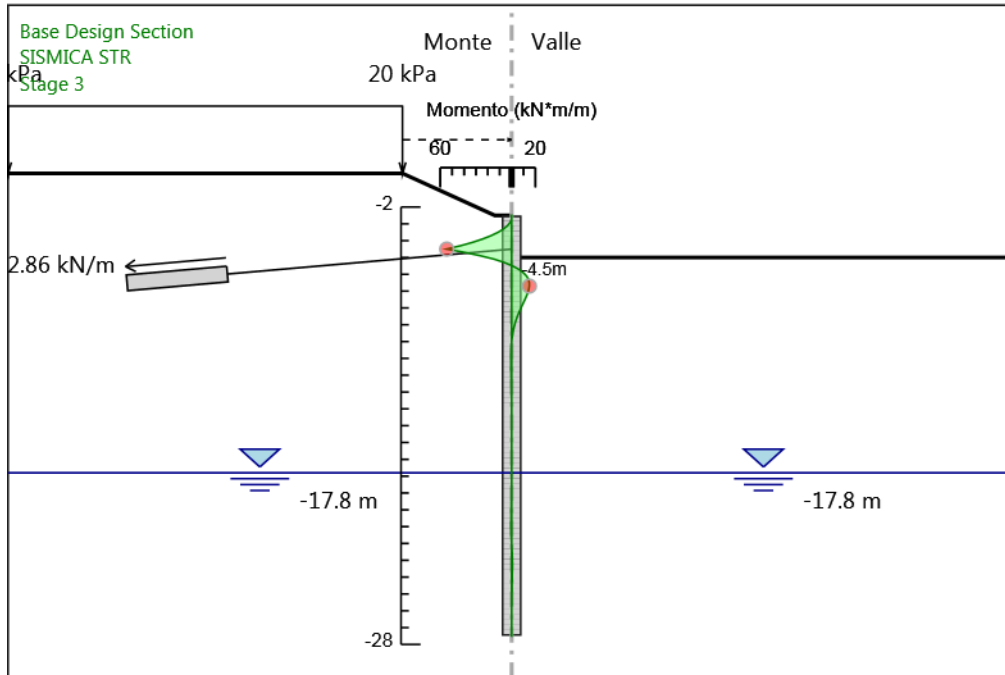
Design Assumption: SISMICA STR
Stage: Stage 1
Momento

Grafico Risultati Momento SISMICA STR - Stage: Stage 2



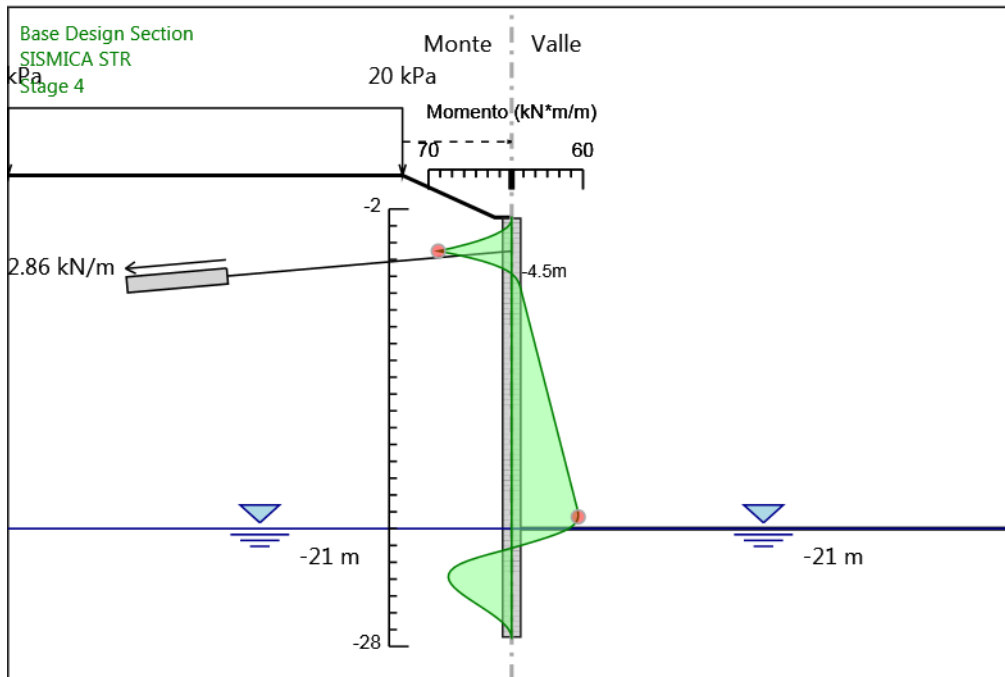
Design Assumption: SISMICA STR
Stage: Stage 2
Momento

Grafico Risultati Momento SISMICA STR - Stage: Stage 3



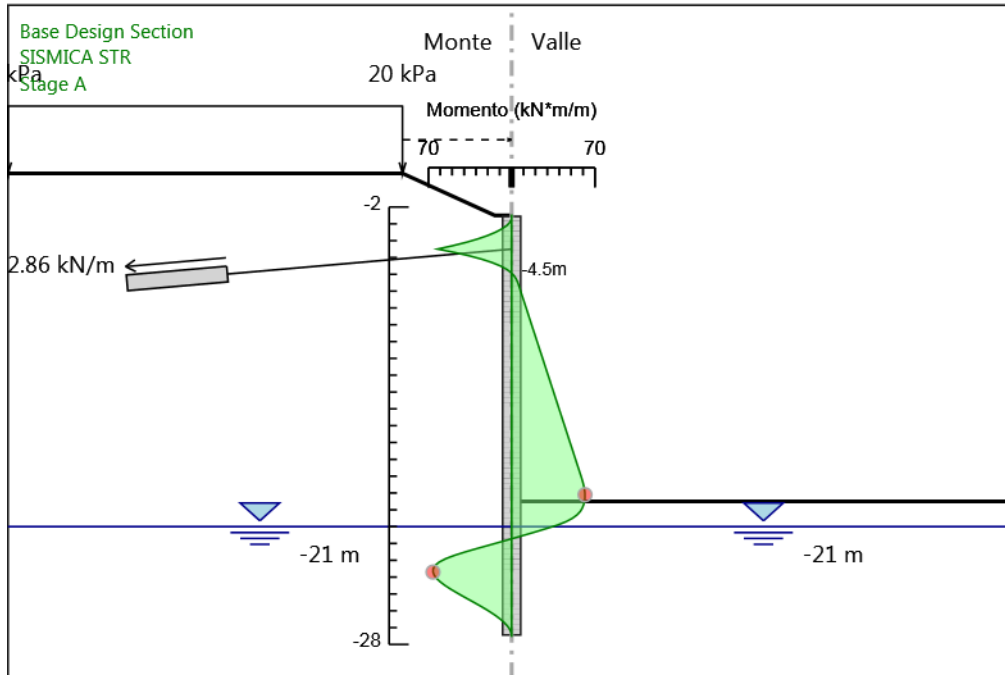
Design Assumption: SISMICA STR
Stage: Stage 3
Momento

Grafico Risultati Momento SISMICA STR - Stage: Stage 4



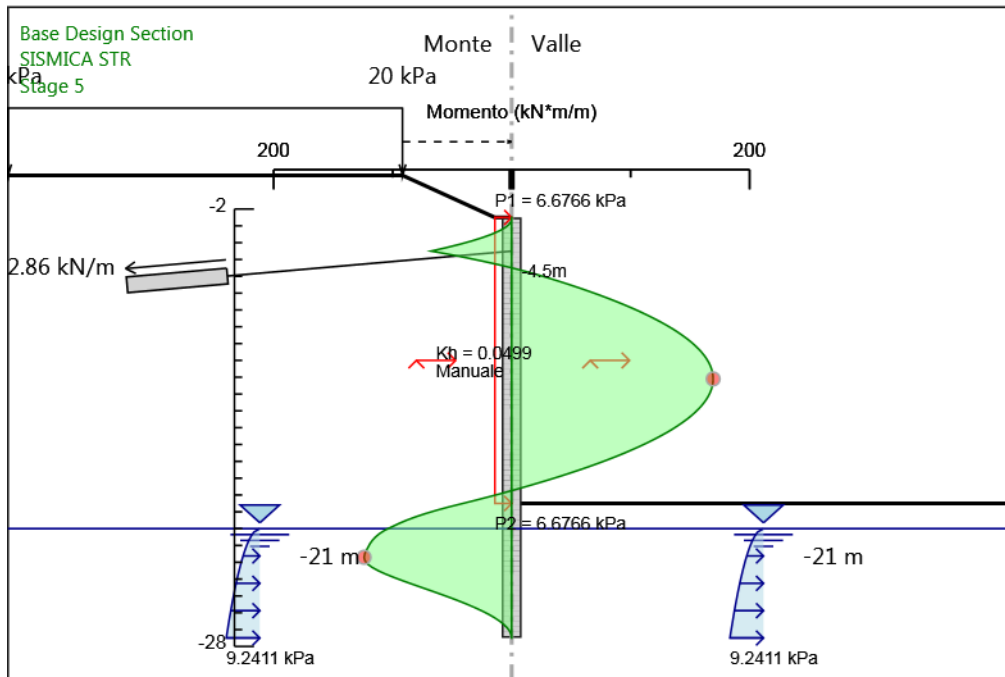
Design Assumption: SISMICA STR
Stage: Stage 4
Momento

Grafico Risultati Momento SISMICA STR - Stage: Stage A



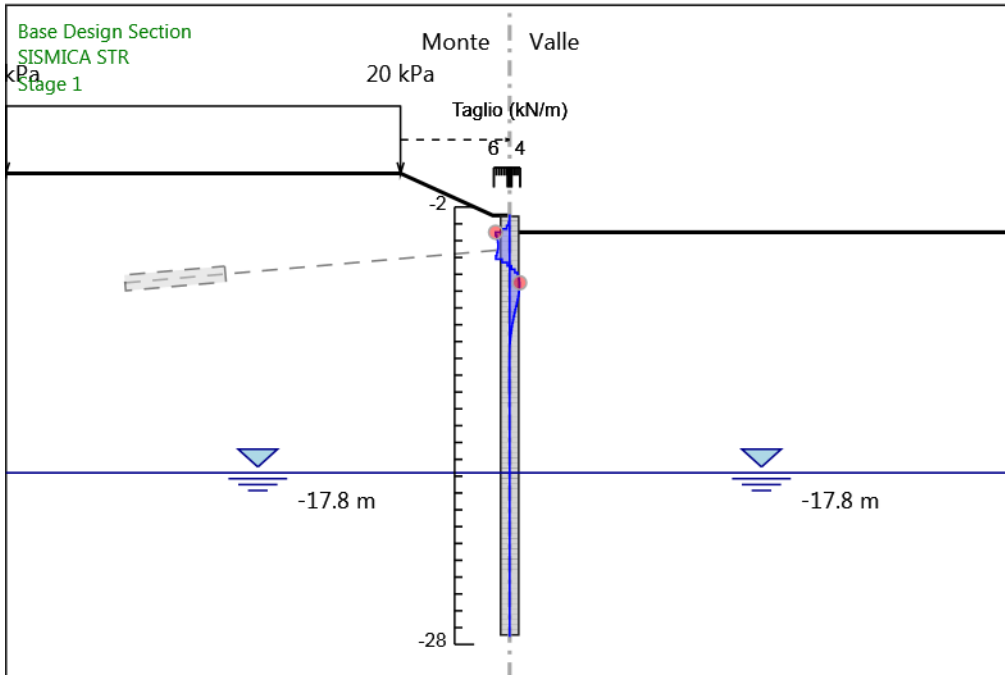
Design Assumption: SISMICA STR
Stage: Stage A
Momento

Grafico Risultati Momento SISMICA STR - Stage: Stage 5



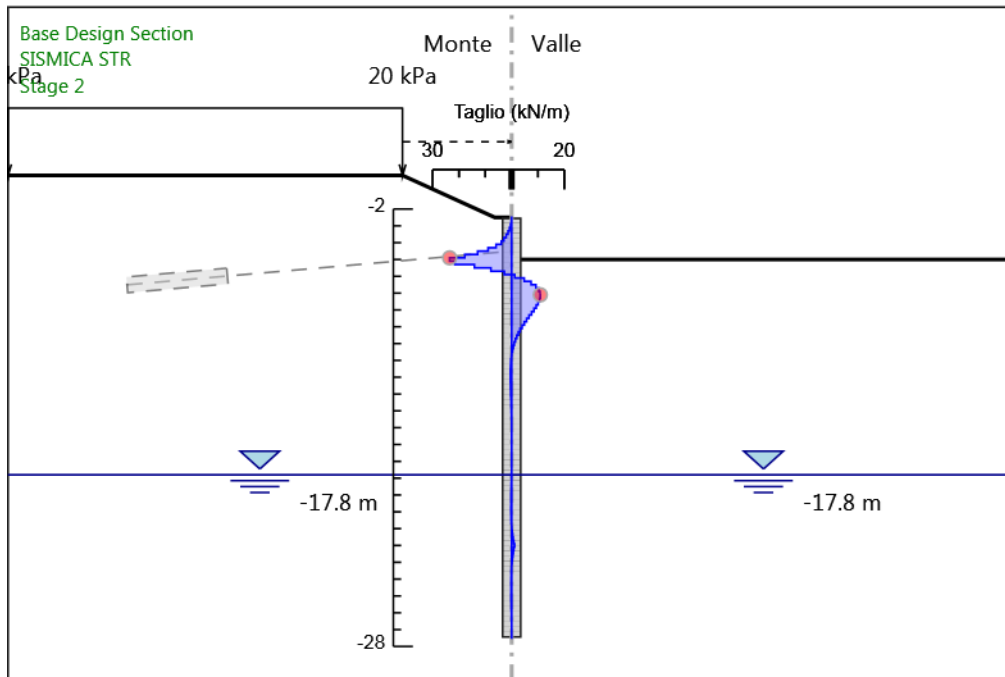
Design Assumption: SISMICA STR
Stage: Stage 5
Momento

Grafico Risultati Taglio SISMICA STR - Stage: Stage 1



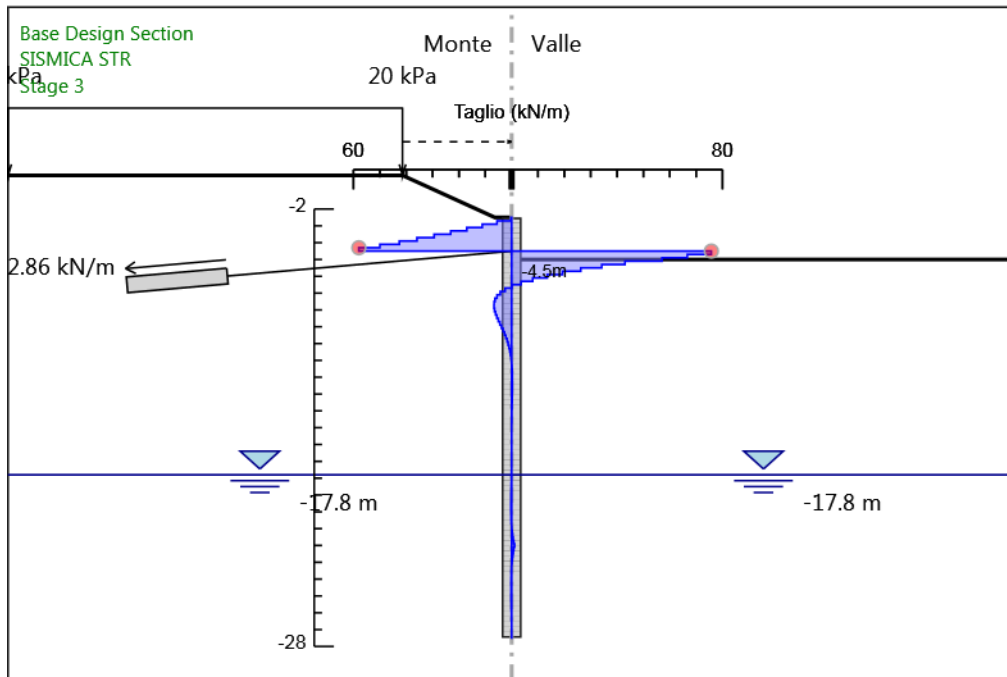
Design Assumption: SISMICA STR
Stage: Stage 1
Taglio

Grafico Risultati Taglio SISMICA STR - Stage: Stage 2



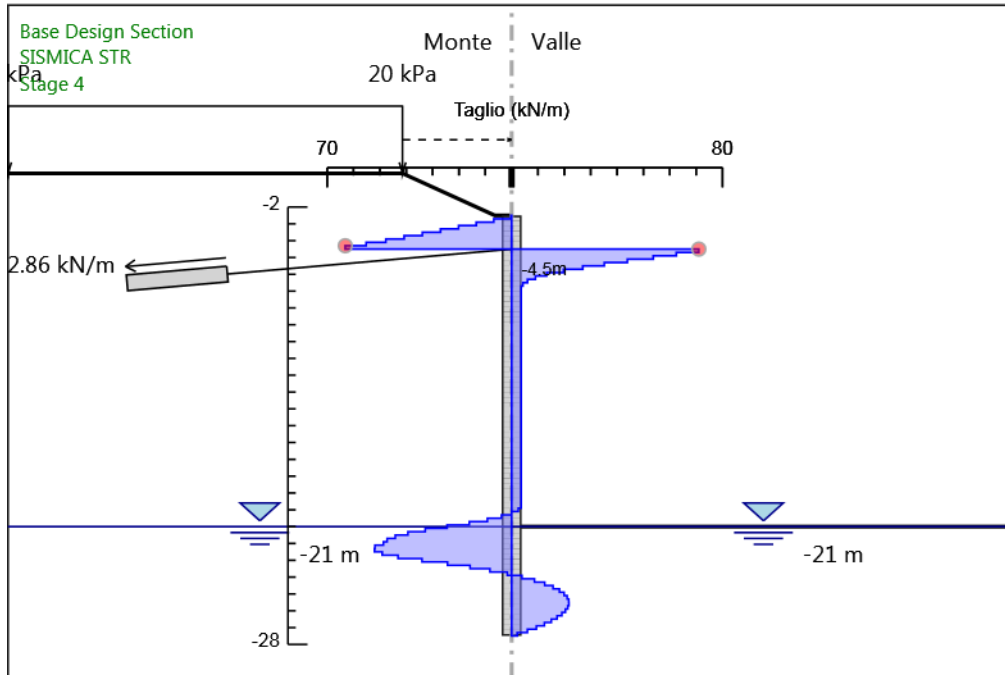
Design Assumption: SISMICA STR
Stage: Stage 2
Taglio

Grafico Risultati Taglio SISMICA STR - Stage: Stage 3



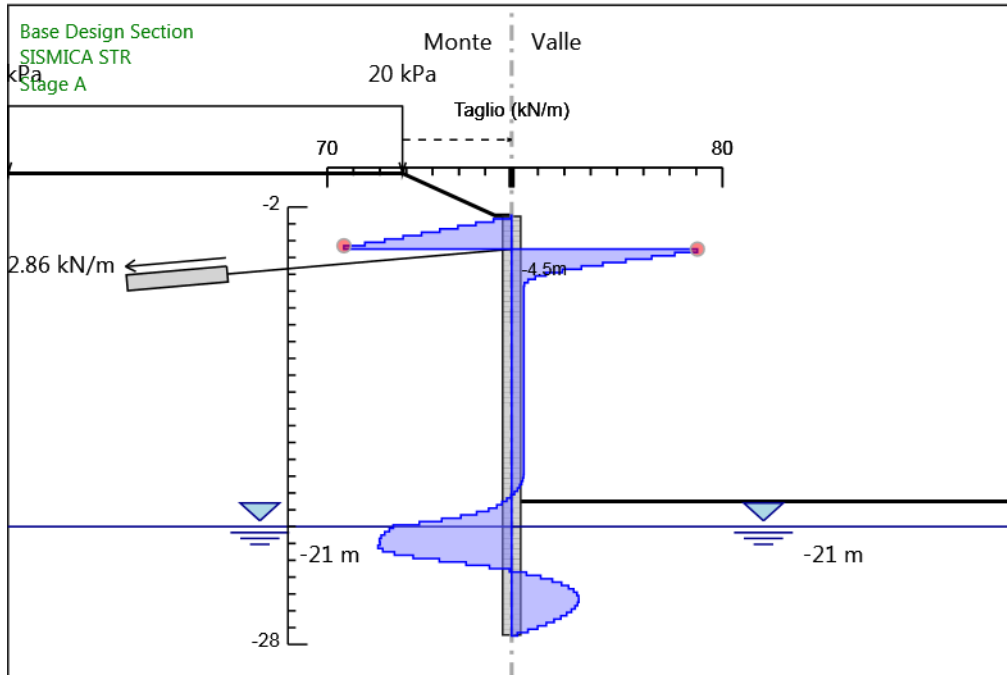
Design Assumption: SISMICA STR
Stage: Stage 3
Taglio

Grafico Risultati Taglio SISMICA STR - Stage: Stage 4



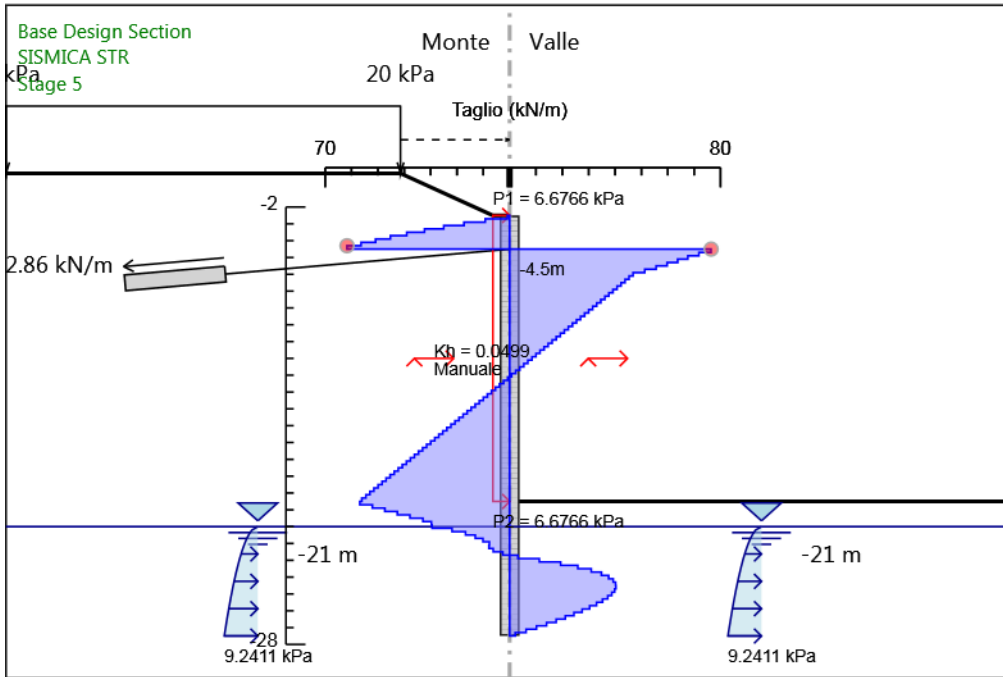
Design Assumption: SISMICA STR
Stage: Stage 4
Taglio

Grafico Risultati Taglio SISMICA STR - Stage: Stage A



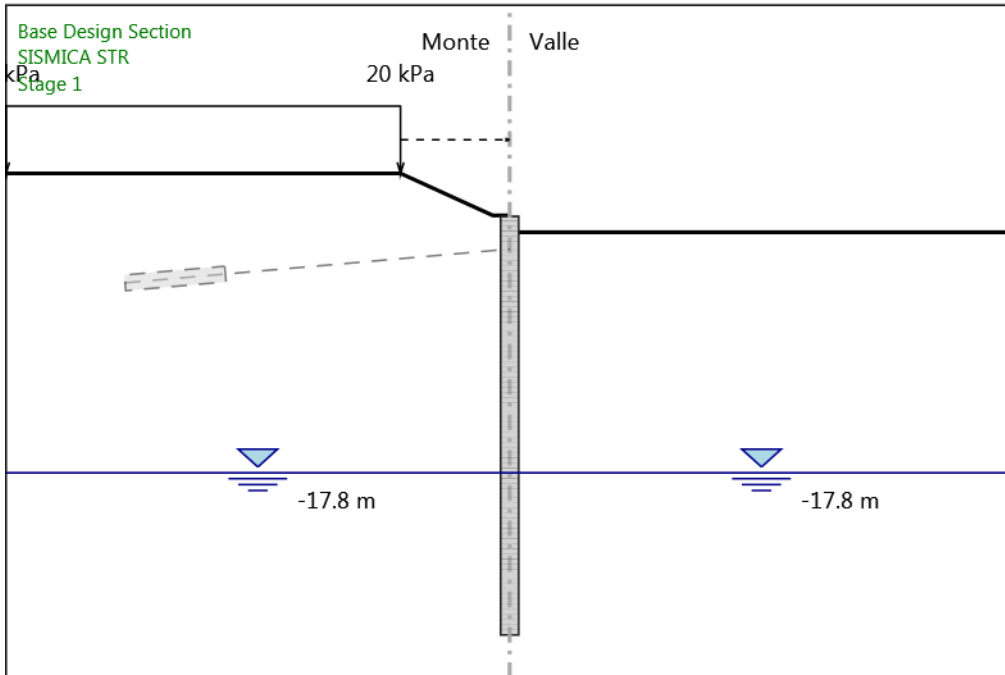
Design Assumption: SISMICA STR
Stage: Stage A
Taglio

Grafico Risultati Taglio SISMICA STR - Stage: Stage 5



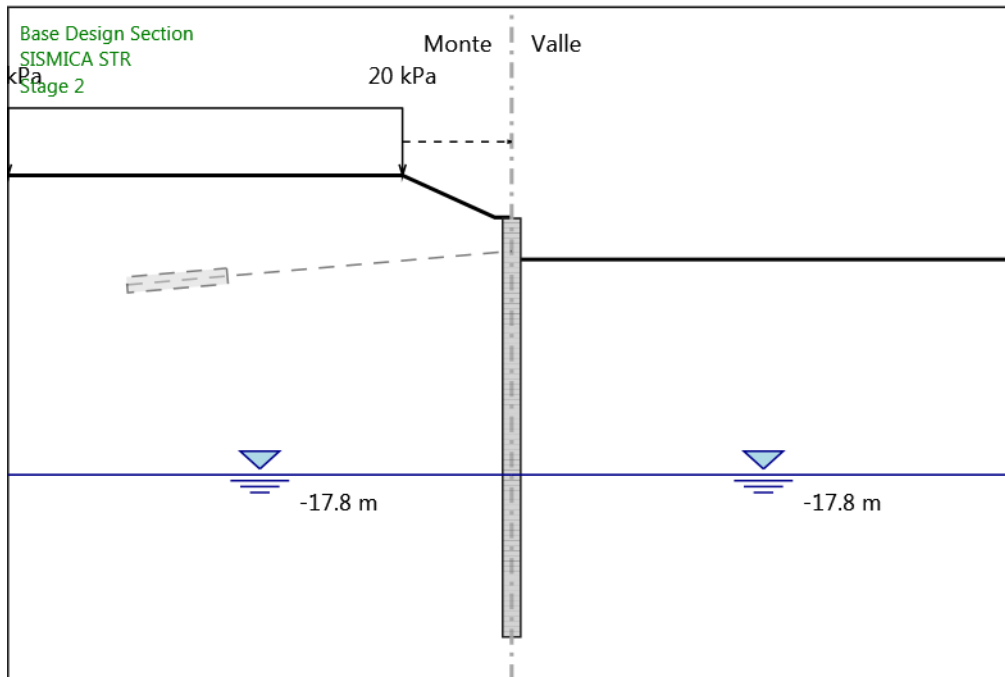
Design Assumption: SISMICA STR
 Stage: Stage 5
 Taglio

Grafico Risultati Momento SISMICA STR - Stage: Stage 1



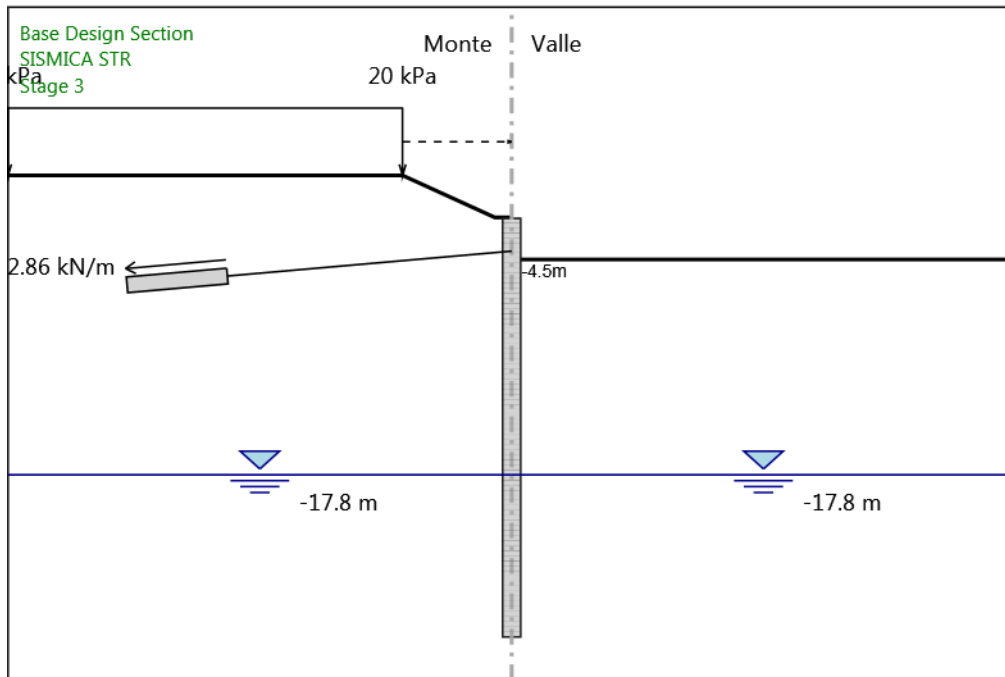
Design Assumption: SISMICA STR
Stage: Stage 1
Momento

Grafico Risultati Momento SISMICA STR - Stage: Stage 2



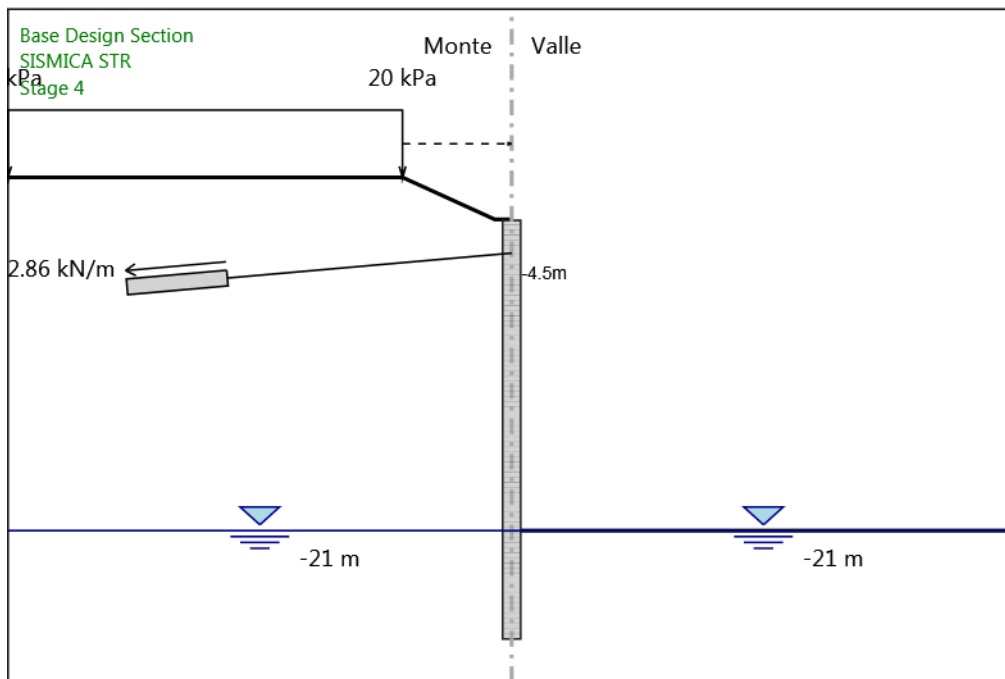
Design Assumption: SISMICA STR
Stage: Stage 2
Momento

Grafico Risultati Momento SISMICA STR - Stage: Stage 3



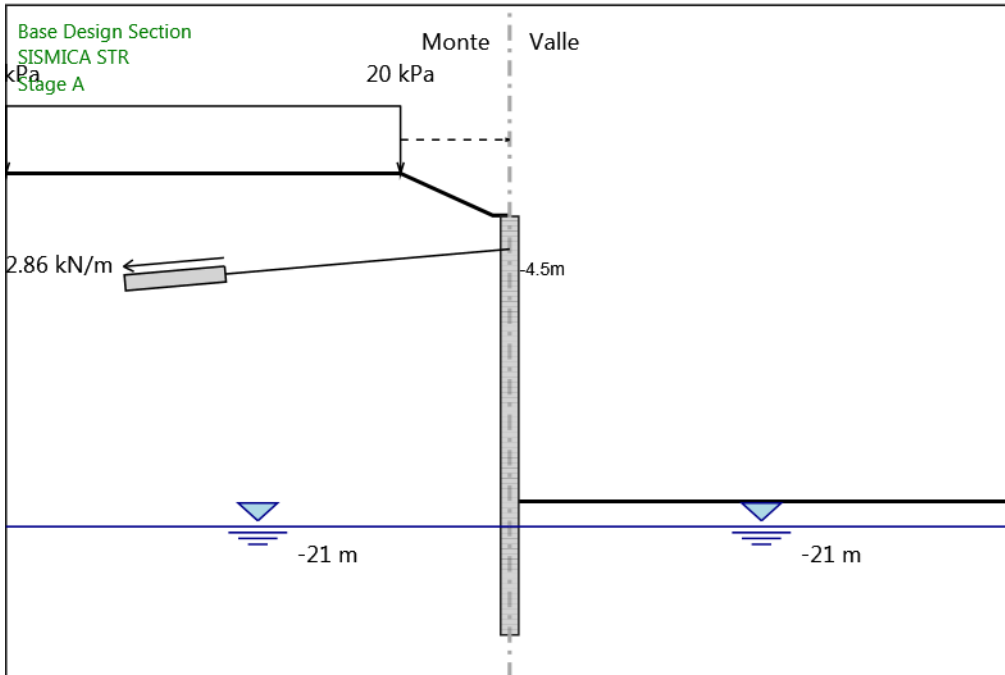
Design Assumption: SISMICA STR
Stage: Stage 3
Momento

Grafico Risultati Momento SISMICA STR - Stage: Stage 4



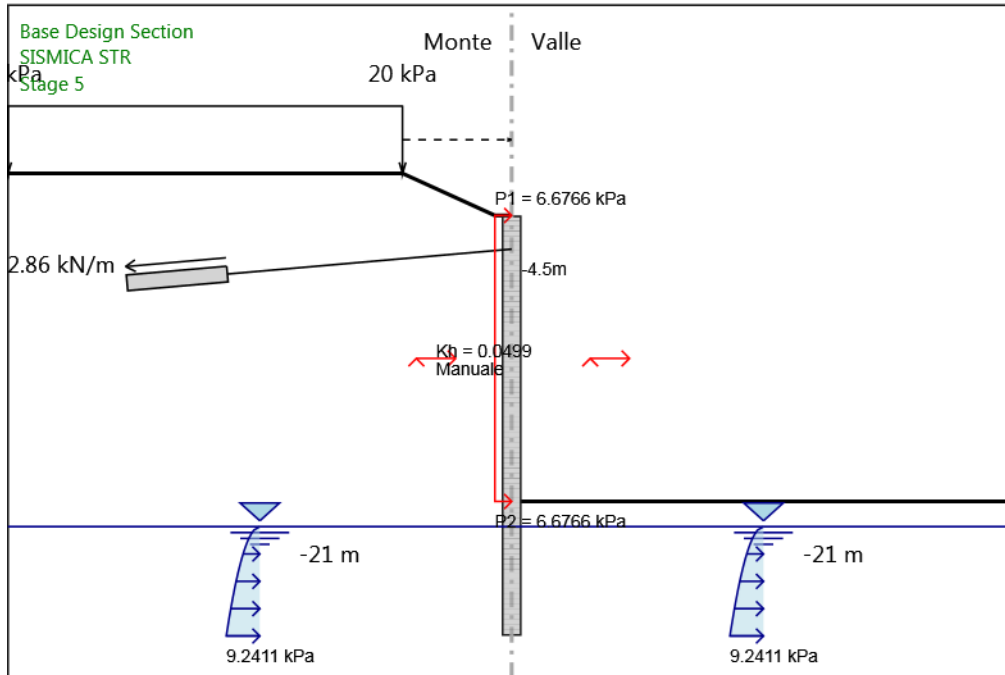
Design Assumption: SISMICA STR
Stage: Stage 4
Momento

Grafico Risultati Momento SISMICA STR - Stage: Stage A



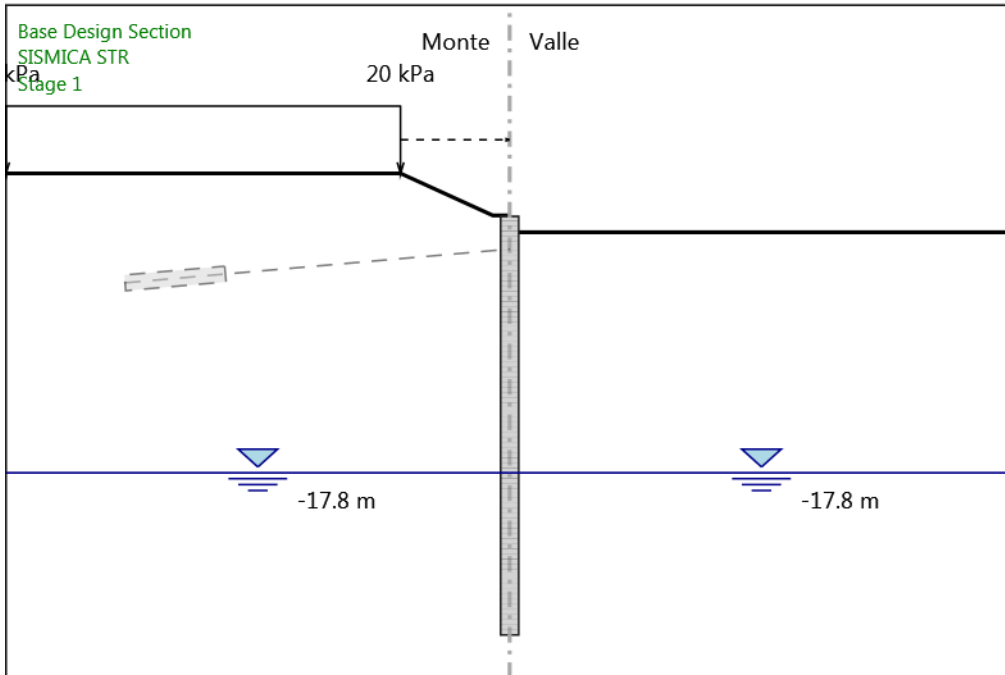
Design Assumption: SISMICA STR
Stage: Stage A
Momento

Grafico Risultati Momento SISMICA STR - Stage: Stage 5



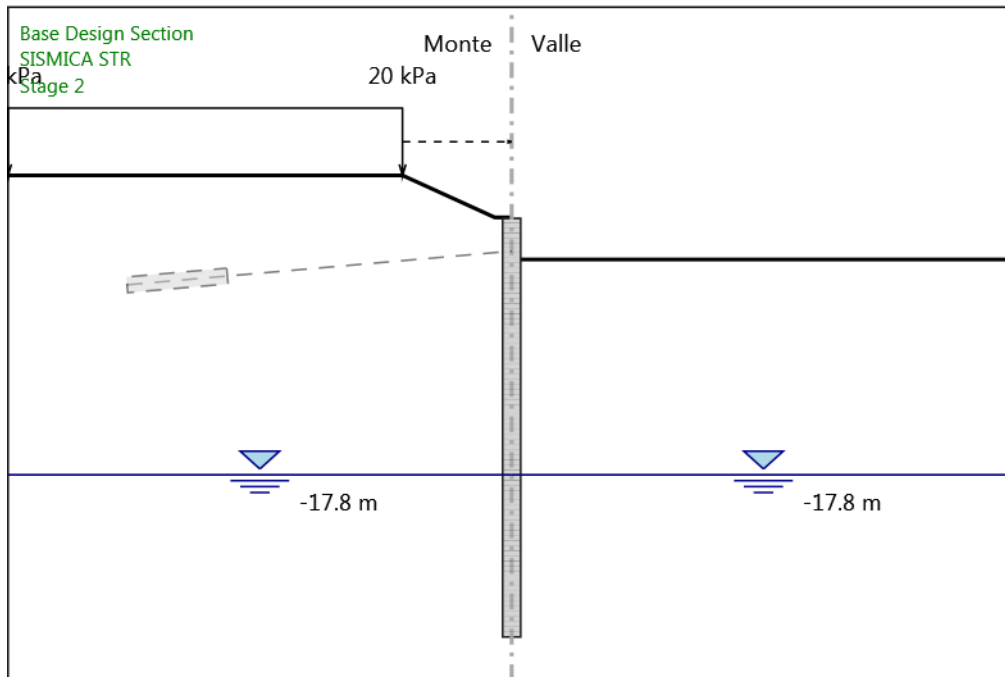
Design Assumption: SISMICA STR
Stage: Stage 5
Momento

Grafico Risultati Taglio SISMICA STR - Stage: Stage 1



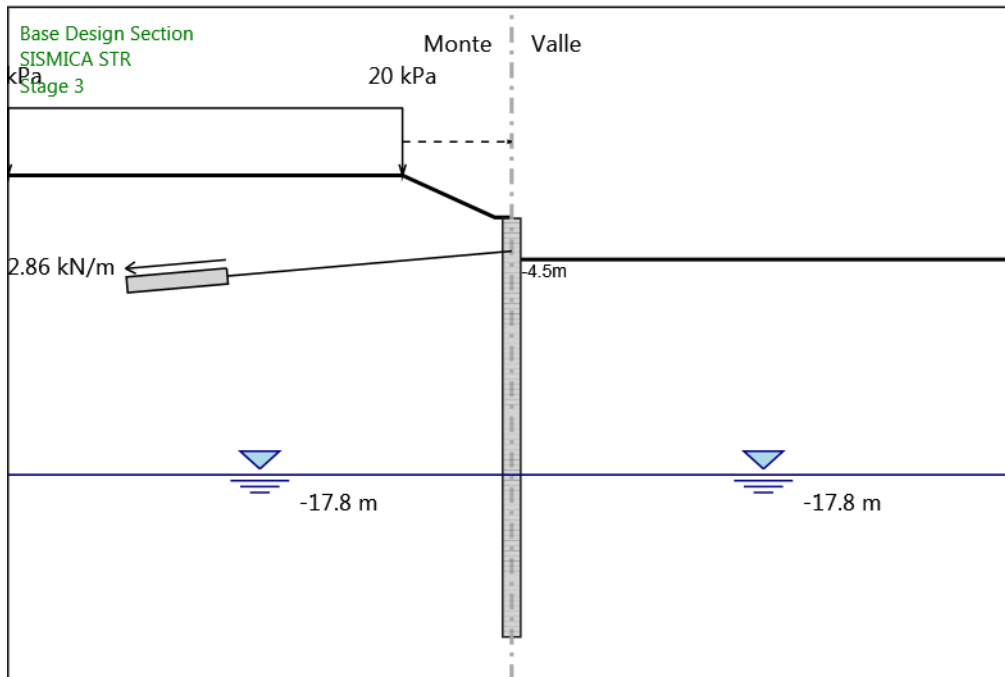
Design Assumption: SISMICA STR
Stage: Stage 1
Taglio

Grafico Risultati Taglio SISMICA STR - Stage: Stage 2



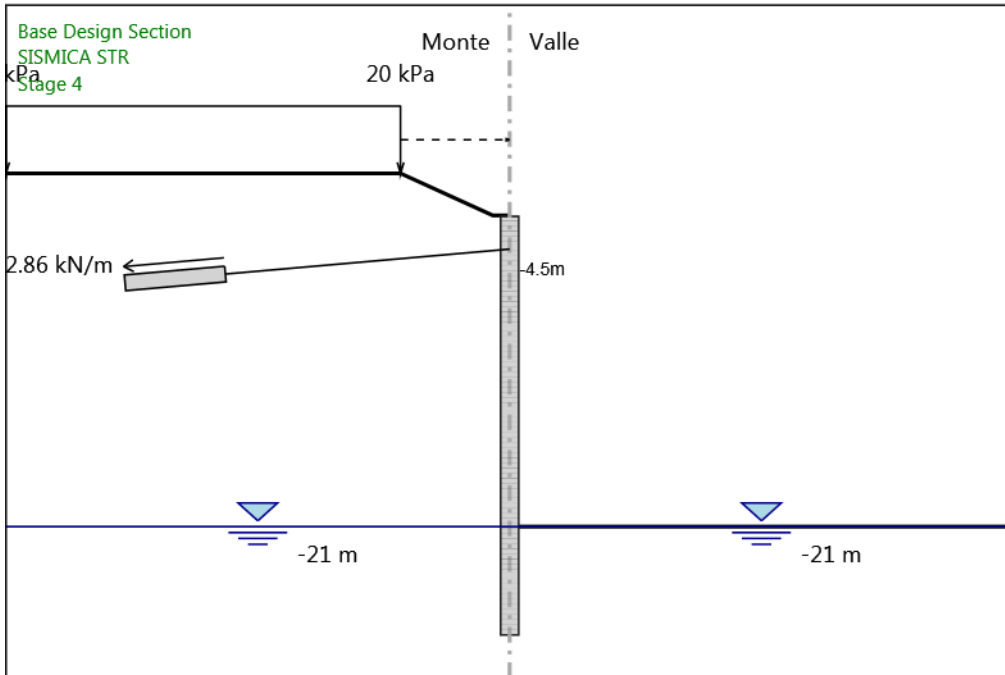
Design Assumption: SISMICA STR
Stage: Stage 2
Taglio

Grafico Risultati Taglio SISMICA STR - Stage: Stage 3



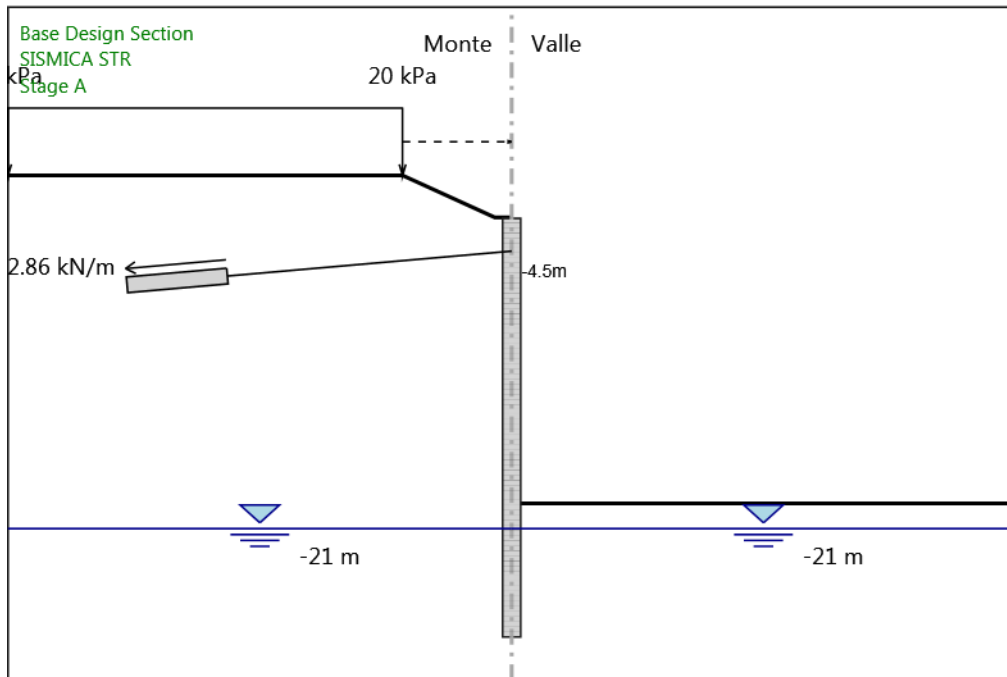
Design Assumption: SISMICA STR
Stage: Stage 3
Taglio

Grafico Risultati Taglio SISMICA STR - Stage: Stage 4



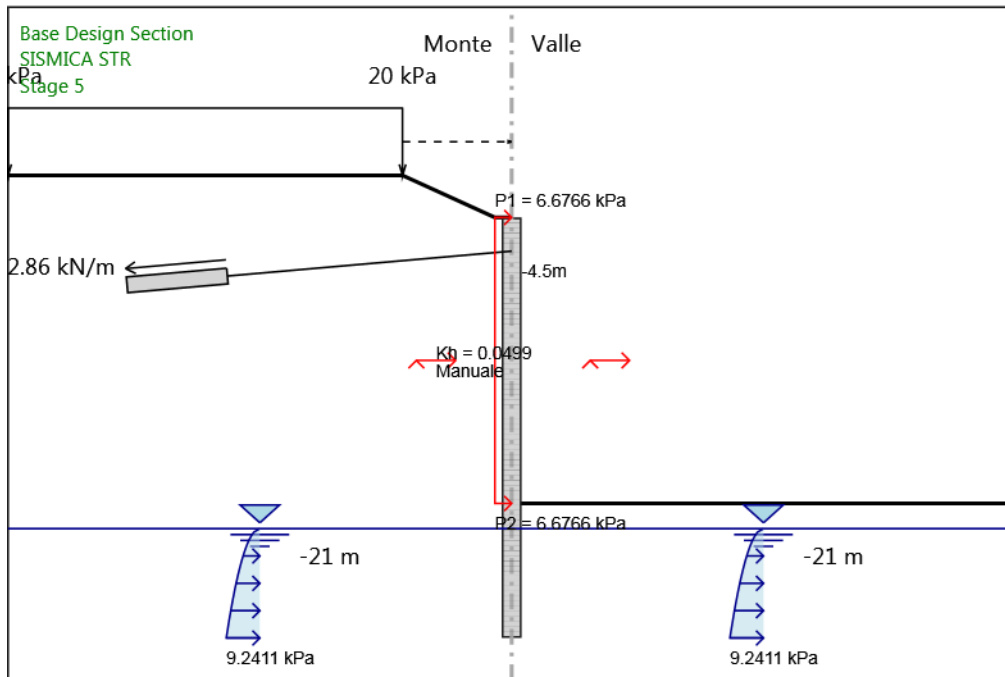
Design Assumption: SISMICA STR
Stage: Stage 4
Taglio

Grafico Risultati Taglio SISMICA STR - Stage: Stage A



Design Assumption: SISMICA STR
Stage: Stage A
Taglio

Grafico Risultati Taglio SISMICA STR - Stage: Stage 5



Design Assumption: SISMICA STR
Stage: Stage 5
Taglio

Risultati Elementi strutturali - SISMICA STR

Design Assumption: SISMICA STR Sollecitazione Tieback

Stage	Forza (kN/m)
Stage 3	142.9
Stage 4	142.9543
Stage A	142.9485
Stage 5	143.7106

Risultati SISMICA GEO

Tabella Risultati Paratia SISMICA GEO - Left Wall - Stage: Stage 1

Design Assumption: SISMICA GEO Risultati Paratia		Muro: LEFT	
Stage	Z (m)	Momento (kN*m/m)	Taglio (kN/m)
Stage 1	-2.5	0	0
Stage 1	-2.7	0	0
Stage 1	-2.9	-0.04	-0.19
Stage 1	-3.1	-0.15	-0.56
Stage 1	-3.3	-0.43	-1.39
Stage 1	-3.5	-1.06	-3.15
Stage 1	-3.7	-2.22	-5.8
Stage 1	-3.9	-3.27	-5.26
Stage 1	-4.1	-4.25	-4.9
Stage 1	-4.3	-5.19	-4.7
Stage 1	-4.5	-6.12	-4.66
Stage 1	-4.7	-7.08	-4.78
Stage 1	-4.9	-8.09	-5.05
Stage 1	-5.1	-9.18	-5.46
Stage 1	-5.3	-9.79	-3.02
Stage 1	-5.5	-9.99	-1
Stage 1	-5.7	-9.86	0.64
Stage 1	-5.9	-9.47	1.94
Stage 1	-6.1	-8.88	2.95
Stage 1	-6.3	-8.19	3.46
Stage 1	-6.5	-7.43	3.77
Stage 1	-6.7	-6.65	3.92
Stage 1	-6.9	-5.86	3.94
Stage 1	-7.1	-5.09	3.85
Stage 1	-7.3	-4.36	3.68
Stage 1	-7.5	-3.67	3.45
Stage 1	-7.7	-3.03	3.18
Stage 1	-7.9	-2.45	2.89
Stage 1	-8.1	-1.93	2.59
Stage 1	-8.3	-1.48	2.28
Stage 1	-8.5	-1.08	1.98
Stage 1	-8.7	-0.74	1.7
Stage 1	-8.9	-0.45	1.43
Stage 1	-9.1	-0.22	1.18
Stage 1	-9.3	-0.03	0.96
Stage 1	-9.5	0.12	0.76
Stage 1	-9.7	0.24	0.58
Stage 1	-9.9	0.32	0.42
Stage 1	-10.1	0.38	0.29
Stage 1	-10.3	0.42	0.18
Stage 1	-10.5	0.44	0.09
Stage 1	-10.7	0.44	0.01
Stage 1	-10.9	0.43	-0.05
Stage 1	-11.1	0.41	-0.09
Stage 1	-11.3	0.39	-0.13
Stage 1	-11.5	0.36	-0.15
Stage 1	-11.7	0.32	-0.16
Stage 1	-11.9	0.29	-0.17
Stage 1	-12.1	0.26	-0.17
Stage 1	-12.3	0.22	-0.17
Stage 1	-12.5	0.19	-0.16
Stage 1	-12.7	0.16	-0.15
Stage 1	-12.9	0.13	-0.14
Stage 1	-13.1	0.11	-0.13
Stage 1	-13.3	0.09	-0.11
Stage 1	-13.5	0.07	-0.1
Stage 1	-13.7	0.05	-0.09
Stage 1	-13.9	0.03	-0.07
Stage 1	-14.1	0.02	-0.06
Stage 1	-14.3	0.01	-0.05
Stage 1	-14.5	0	-0.04
Stage 1	-14.7	0	-0.03
Stage 1	-14.9	-0.01	-0.02
Stage 1	-15.1	-0.01	-0.02

Design Assumption: SISMICA GEO Risultati Paratia		Muro: LEFT	
Stage	Z (m)	Momento (kN*m/m)	Taglio (kN/m)
Stage 1	-15.3	-0.01	-0.01
Stage 1	-15.5	-0.02	-0.01
Stage 1	-15.7	-0.02	0
Stage 1	-15.9	-0.02	0
Stage 1	-16.1	-0.02	0
Stage 1	-16.3	-0.02	0
Stage 1	-16.5	-0.02	0
Stage 1	-16.7	-0.02	0
Stage 1	-16.9	-0.01	0
Stage 1	-17.1	-0.01	0
Stage 1	-17.3	-0.01	0
Stage 1	-17.5	-0.01	0
Stage 1	-17.7	-0.01	0
Stage 1	-17.9	-0.01	0
Stage 1	-18.1	-0.01	0
Stage 1	-18.3	-0.02	-0.01
Stage 1	-18.5	-0.02	-0.01
Stage 1	-18.7	-0.02	-0.01
Stage 1	-18.9	-0.02	-0.01
Stage 1	-19.1	-0.02	-0.01
Stage 1	-19.3	-0.03	-0.01
Stage 1	-19.5	-0.03	-0.01
Stage 1	-19.7	-0.03	-0.01
Stage 1	-19.9	-0.04	-0.01
Stage 1	-20.1	-0.04	-0.01
Stage 1	-20.3	-0.04	-0.01
Stage 1	-20.5	-0.04	-0.01
Stage 1	-20.7	-0.04	0
Stage 1	-20.9	-0.04	0
Stage 1	-21.1	-0.04	0.01
Stage 1	-21.3	-0.04	0.02
Stage 1	-21.5	-0.03	0.03
Stage 1	-21.7	-0.02	0.05
Stage 1	-21.9	-0.01	0.06
Stage 1	-22.1	0.01	0.08
Stage 1	-22.3	0.02	0.06
Stage 1	-22.5	0.03	0.05
Stage 1	-22.7	0.04	0.03
Stage 1	-22.9	0.04	0.02
Stage 1	-23.1	0.04	0.01
Stage 1	-23.3	0.04	0
Stage 1	-23.5	0.04	0
Stage 1	-23.7	0.04	-0.01
Stage 1	-23.9	0.04	-0.01
Stage 1	-24.1	0.04	-0.01
Stage 1	-24.3	0.03	-0.02
Stage 1	-24.5	0.03	-0.02
Stage 1	-24.7	0.03	-0.02
Stage 1	-24.9	0.02	-0.02
Stage 1	-25.1	0.02	-0.02
Stage 1	-25.3	0.02	-0.02
Stage 1	-25.5	0.01	-0.01
Stage 1	-25.7	0.01	-0.01
Stage 1	-25.9	0.01	-0.01
Stage 1	-26.1	0.01	-0.01
Stage 1	-26.3	0	-0.01
Stage 1	-26.5	0	-0.01
Stage 1	-26.7	0	-0.01
Stage 1	-26.9	0	0
Stage 1	-27.1	0	0
Stage 1	-27.3	0	0
Stage 1	-27.5	0	0

Tabella Risultati Paratia SISMICA GEO - Left Wall - Stage: Stage 2

Design Assumption: SISMICA GEO Risultati Paratia		Muro: LEFT	
Stage	Z (m)	Momento (kN*m/m)	Taglio (kN/m)
Stage 2	-2.5	0	0
Stage 2	-2.7	0	0
Stage 2	-2.9	-0.04	-0.19
Stage 2	-3.1	-0.15	-0.56
Stage 2	-3.3	-0.37	-1.12
Stage 2	-3.5	-0.75	-1.86
Stage 2	-3.7	-1.3	-2.79
Stage 2	-3.9	-2.09	-3.92
Stage 2	-4.1	-3.14	-5.25
Stage 2	-4.3	-4.55	-7.08
Stage 2	-4.5	-6.54	-9.92
Stage 2	-4.7	-9.28	-13.73
Stage 2	-4.9	-12.98	-18.49
Stage 2	-5.1	-17.82	-24.16
Stage 2	-5.3	-22.71	-24.48
Stage 2	-5.5	-26.69	-19.9
Stage 2	-5.7	-29.14	-12.26
Stage 2	-5.9	-30.36	-6.06
Stage 2	-6.1	-30.6	-1.21
Stage 2	-6.3	-29.83	3.85
Stage 2	-6.5	-28.3	7.62
Stage 2	-6.7	-26.25	10.28
Stage 2	-6.9	-23.85	11.99
Stage 2	-7.1	-21.26	12.92
Stage 2	-7.3	-18.62	13.23
Stage 2	-7.5	-16.01	13.05
Stage 2	-7.7	-13.51	12.5
Stage 2	-7.9	-11.17	11.69
Stage 2	-8.1	-9.03	10.69
Stage 2	-8.3	-7.11	9.6
Stage 2	-8.5	-5.42	8.46
Stage 2	-8.7	-3.96	7.32
Stage 2	-8.9	-2.71	6.21
Stage 2	-9.1	-1.68	5.18
Stage 2	-9.3	-0.83	4.22
Stage 2	-9.5	-0.16	3.36
Stage 2	-9.7	0.35	2.59
Stage 2	-9.9	0.74	1.92
Stage 2	-10.1	1.01	1.35
Stage 2	-10.3	1.18	0.87
Stage 2	-10.5	1.28	0.48
Stage 2	-10.7	1.31	0.16
Stage 2	-10.9	1.29	-0.08
Stage 2	-11.1	1.24	-0.27
Stage 2	-11.3	1.16	-0.4
Stage 2	-11.5	1.06	-0.49
Stage 2	-11.7	0.95	-0.54
Stage 2	-11.9	0.84	-0.56
Stage 2	-12.1	0.73	-0.56
Stage 2	-12.3	0.62	-0.55
Stage 2	-12.5	0.52	-0.51
Stage 2	-12.7	0.42	-0.47
Stage 2	-12.9	0.34	-0.43
Stage 2	-13.1	0.26	-0.38
Stage 2	-13.3	0.19	-0.33
Stage 2	-13.5	0.14	-0.28
Stage 2	-13.7	0.09	-0.24
Stage 2	-13.9	0.05	-0.19
Stage 2	-14.1	0.02	-0.15
Stage 2	-14.3	0	-0.12
Stage 2	-14.5	-0.02	-0.08
Stage 2	-14.7	-0.03	-0.06
Stage 2	-14.9	-0.04	-0.03
Stage 2	-15.1	-0.04	-0.02
Stage 2	-15.3	-0.04	0
Stage 2	-15.5	-0.04	0.01
Stage 2	-15.7	-0.03	0.02

Design Assumption: SISMICA GEO Risultati Paratia		Muro: LEFT	
Stage	Z (m)	Momento (kN*m/m)	Taglio (kN/m)
Stage 2	-15.9	-0.03	0.02
Stage 2	-16.1	-0.02	0.03
Stage 2	-16.3	-0.02	0.02
Stage 2	-16.5	-0.01	0.02
Stage 2	-16.7	-0.01	0.01
Stage 2	-16.9	-0.01	0
Stage 2	-17.1	-0.01	-0.01
Stage 2	-17.3	-0.02	-0.03
Stage 2	-17.5	-0.03	-0.05
Stage 2	-17.7	-0.04	-0.07
Stage 2	-17.9	-0.06	-0.09
Stage 2	-18.1	-0.09	-0.12
Stage 2	-18.3	-0.12	-0.15
Stage 2	-18.5	-0.15	-0.18
Stage 2	-18.7	-0.19	-0.21
Stage 2	-18.9	-0.24	-0.25
Stage 2	-19.1	-0.3	-0.28
Stage 2	-19.3	-0.36	-0.31
Stage 2	-19.5	-0.43	-0.33
Stage 2	-19.7	-0.5	-0.35
Stage 2	-19.9	-0.57	-0.35
Stage 2	-20.1	-0.64	-0.34
Stage 2	-20.3	-0.7	-0.32
Stage 2	-20.5	-0.75	-0.27
Stage 2	-20.7	-0.79	-0.19
Stage 2	-20.9	-0.81	-0.08
Stage 2	-21.1	-0.79	0.07
Stage 2	-21.3	-0.74	0.26
Stage 2	-21.5	-0.64	0.51
Stage 2	-21.7	-0.48	0.8
Stage 2	-21.9	-0.24	1.16
Stage 2	-22.1	0.07	1.58
Stage 2	-22.3	0.31	1.21
Stage 2	-22.5	0.49	0.9
Stage 2	-22.7	0.62	0.62
Stage 2	-22.9	0.7	0.39
Stage 2	-23.1	0.74	0.2
Stage 2	-23.3	0.75	0.05
Stage 2	-23.5	0.74	-0.07
Stage 2	-23.7	0.7	-0.16
Stage 2	-23.9	0.66	-0.22
Stage 2	-24.1	0.61	-0.27
Stage 2	-24.3	0.55	-0.3
Stage 2	-24.5	0.48	-0.31
Stage 2	-24.7	0.42	-0.31
Stage 2	-24.9	0.36	-0.3
Stage 2	-25.1	0.31	-0.28
Stage 2	-25.3	0.25	-0.26
Stage 2	-25.5	0.21	-0.24
Stage 2	-25.7	0.16	-0.21
Stage 2	-25.9	0.12	-0.19
Stage 2	-26.1	0.09	-0.16
Stage 2	-26.3	0.07	-0.13
Stage 2	-26.5	0.04	-0.11
Stage 2	-26.7	0.03	-0.08
Stage 2	-26.9	0.01	-0.06
Stage 2	-27.1	0.01	-0.04
Stage 2	-27.3	0	-0.02
Stage 2	-27.5	0	-0.01

Tabella Risultati Paratia SISMICA GEO - Left Wall - Stage: Stage 3

Design Assumption: SISMICA GEO Risultati Paratia		Muro: LEFT	
Stage	Z (m)	Momento (kN*m/m)	Taglio (kN/m)
Stage 3	-2.5	0	-0.15
Stage 3	-2.7	-0.03	-0.15
Stage 3	-2.9	-1.13	-5.48
Stage 3	-3.1	-3.34	-11.08
Stage 3	-3.3	-6.73	-16.96
Stage 3	-3.5	-11.35	-23.08
Stage 3	-3.7	-17.24	-29.44
Stage 3	-3.9	-24.44	-36.02
Stage 3	-4.1	-33	-42.79
Stage 3	-4.3	-42.99	-49.93
Stage 3	-4.5	-54.53	-57.72
Stage 3	-4.7	-39.28	76.25
Stage 3	-4.9	-25.82	67.32
Stage 3	-5.1	-14.24	57.89
Stage 3	-5.3	-5.47	43.83
Stage 3	-5.5	0.77	31.23
Stage 3	-5.7	5.55	23.89
Stage 3	-5.9	9.08	17.63
Stage 3	-6.1	11.55	12.34
Stage 3	-6.3	12.97	7.12
Stage 3	-6.5	13.57	2.99
Stage 3	-6.7	13.53	-0.2
Stage 3	-6.9	13.01	-2.57
Stage 3	-7.1	12.17	-4.25
Stage 3	-7.3	11.1	-5.35
Stage 3	-7.5	9.9	-5.98
Stage 3	-7.7	8.65	-6.25
Stage 3	-7.9	7.41	-6.22
Stage 3	-8.1	6.21	-5.98
Stage 3	-8.3	5.09	-5.58
Stage 3	-8.5	4.08	-5.09
Stage 3	-8.7	3.17	-4.54
Stage 3	-8.9	2.38	-3.96
Stage 3	-9.1	1.7	-3.39
Stage 3	-9.3	1.13	-2.84
Stage 3	-9.5	0.67	-2.33
Stage 3	-9.7	0.29	-1.86
Stage 3	-9.9	0.01	-1.44
Stage 3	-10.1	-0.21	-1.08
Stage 3	-10.3	-0.36	-0.77
Stage 3	-10.5	-0.47	-0.51
Stage 3	-10.7	-0.53	-0.3
Stage 3	-10.9	-0.55	-0.13
Stage 3	-11.1	-0.55	0.01
Stage 3	-11.3	-0.53	0.1
Stage 3	-11.5	-0.49	0.17
Stage 3	-11.7	-0.45	0.22
Stage 3	-11.9	-0.4	0.25
Stage 3	-12.1	-0.35	0.26
Stage 3	-12.3	-0.3	0.26
Stage 3	-12.5	-0.25	0.25
Stage 3	-12.7	-0.2	0.23
Stage 3	-12.9	-0.16	0.21
Stage 3	-13.1	-0.12	0.19
Stage 3	-13.3	-0.09	0.16
Stage 3	-13.5	-0.06	0.14
Stage 3	-13.7	-0.04	0.12
Stage 3	-13.9	-0.02	0.1
Stage 3	-14.1	0	0.08
Stage 3	-14.3	0.01	0.06
Stage 3	-14.5	0.02	0.05
Stage 3	-14.7	0.03	0.04
Stage 3	-14.9	0.03	0.03
Stage 3	-15.1	0.04	0.02
Stage 3	-15.3	0.04	0.01
Stage 3	-15.5	0.04	0.01
Stage 3	-15.7	0.04	0

Design Assumption: SISMICA GEO Risultati Paratia		Muro: LEFT	
Stage	Z (m)	Momento (kN*m/m)	Taglio (kN/m)
Stage 3	-15.9	0.04	0
Stage 3	-16.1	0.04	0
Stage 3	-16.3	0.04	-0.01
Stage 3	-16.5	0.04	-0.02
Stage 3	-16.7	0.03	-0.02
Stage 3	-16.9	0.03	-0.03
Stage 3	-17.1	0.02	-0.04
Stage 3	-17.3	0.01	-0.06
Stage 3	-17.5	-0.01	-0.07
Stage 3	-17.7	-0.03	-0.09
Stage 3	-17.9	-0.05	-0.11
Stage 3	-18.1	-0.08	-0.14
Stage 3	-18.3	-0.11	-0.16
Stage 3	-18.5	-0.15	-0.19
Stage 3	-18.7	-0.19	-0.22
Stage 3	-18.9	-0.24	-0.25
Stage 3	-19.1	-0.3	-0.28
Stage 3	-19.3	-0.36	-0.31
Stage 3	-19.5	-0.43	-0.33
Stage 3	-19.7	-0.5	-0.35
Stage 3	-19.9	-0.57	-0.35
Stage 3	-20.1	-0.64	-0.34
Stage 3	-20.3	-0.7	-0.32
Stage 3	-20.5	-0.76	-0.27
Stage 3	-20.7	-0.79	-0.19
Stage 3	-20.9	-0.81	-0.08
Stage 3	-21.1	-0.79	0.07
Stage 3	-21.3	-0.74	0.26
Stage 3	-21.5	-0.64	0.51
Stage 3	-21.7	-0.48	0.81
Stage 3	-21.9	-0.25	1.16
Stage 3	-22.1	0.07	1.58
Stage 3	-22.3	0.31	1.22
Stage 3	-22.5	0.49	0.9
Stage 3	-22.7	0.62	0.62
Stage 3	-22.9	0.7	0.39
Stage 3	-23.1	0.74	0.21
Stage 3	-23.3	0.75	0.05
Stage 3	-23.5	0.74	-0.07
Stage 3	-23.7	0.7	-0.16
Stage 3	-23.9	0.66	-0.22
Stage 3	-24.1	0.61	-0.27
Stage 3	-24.3	0.55	-0.3
Stage 3	-24.5	0.48	-0.31
Stage 3	-24.7	0.42	-0.31
Stage 3	-24.9	0.36	-0.3
Stage 3	-25.1	0.31	-0.28
Stage 3	-25.3	0.25	-0.26
Stage 3	-25.5	0.21	-0.24
Stage 3	-25.7	0.16	-0.21
Stage 3	-25.9	0.12	-0.19
Stage 3	-26.1	0.09	-0.16
Stage 3	-26.3	0.07	-0.13
Stage 3	-26.5	0.04	-0.11
Stage 3	-26.7	0.03	-0.08
Stage 3	-26.9	0.01	-0.06
Stage 3	-27.1	0.01	-0.04
Stage 3	-27.3	0	-0.02
Stage 3	-27.5	0	-0.01

Tabella Risultati Paratia SISMICA GEO - Left Wall - Stage: Stage 4

Design Assumption: SISMICA GEO Risultati Paratia		Muro: LEFT	
Stage	Z (m)	Momento (kN*m/m)	Taglio (kN/m)
Stage 4	-2.5	0	-0.15
Stage 4	-2.7	-0.03	-0.15
Stage 4	-2.9	-1.34	-6.56
Stage 4	-3.1	-3.97	-13.12
Stage 4	-3.3	-7.92	-19.79
Stage 4	-3.5	-13.24	-26.59
Stage 4	-3.7	-19.94	-33.48
Stage 4	-3.9	-28.03	-40.44
Stage 4	-4.1	-37.52	-47.46
Stage 4	-4.3	-48.46	-54.71
Stage 4	-4.5	-60.95	-62.45
Stage 4	-4.7	-46.58	71.86
Stage 4	-4.9	-33.89	63.43
Stage 4	-5.1	-22.95	54.74
Stage 4	-5.3	-14.08	44.32
Stage 4	-5.5	-7.09	34.95
Stage 4	-5.7	-1.78	26.55
Stage 4	-5.9	1.99	18.86
Stage 4	-6.1	4.36	11.88
Stage 4	-6.3	5.93	7.85
Stage 4	-6.5	6.95	5.08
Stage 4	-6.7	7.65	3.5
Stage 4	-6.9	8.26	3.05
Stage 4	-7.1	8.87	3.05
Stage 4	-7.3	9.48	3.05
Stage 4	-7.5	10.09	3.05
Stage 4	-7.7	10.7	3.05
Stage 4	-7.9	11.31	3.05
Stage 4	-8.1	11.92	3.05
Stage 4	-8.3	12.53	3.05
Stage 4	-8.5	13.14	3.05
Stage 4	-8.7	13.76	3.05
Stage 4	-8.9	14.37	3.05
Stage 4	-9.1	14.98	3.05
Stage 4	-9.3	15.59	3.05
Stage 4	-9.5	16.2	3.05
Stage 4	-9.7	16.81	3.05
Stage 4	-9.9	17.42	3.05
Stage 4	-10.1	18.03	3.05
Stage 4	-10.3	18.64	3.05
Stage 4	-10.5	19.25	3.05
Stage 4	-10.7	19.86	3.05
Stage 4	-10.9	20.47	3.05
Stage 4	-11.1	21.08	3.05
Stage 4	-11.3	21.69	3.05
Stage 4	-11.5	22.3	3.05
Stage 4	-11.7	22.91	3.05
Stage 4	-11.9	23.52	3.05
Stage 4	-12.1	24.13	3.05
Stage 4	-12.3	24.74	3.05
Stage 4	-12.5	25.36	3.05
Stage 4	-12.7	25.97	3.05
Stage 4	-12.9	26.58	3.05
Stage 4	-13.1	27.19	3.05
Stage 4	-13.3	27.8	3.05
Stage 4	-13.5	28.41	3.05
Stage 4	-13.7	29.02	3.05
Stage 4	-13.9	29.63	3.05
Stage 4	-14.1	30.24	3.05
Stage 4	-14.3	30.85	3.05
Stage 4	-14.5	31.46	3.05
Stage 4	-14.7	32.07	3.05
Stage 4	-14.9	32.68	3.05
Stage 4	-15.1	33.29	3.05
Stage 4	-15.3	33.9	3.05
Stage 4	-15.5	34.51	3.05
Stage 4	-15.7	35.12	3.05

Design Assumption: SISMICA GEO Risultati Paratia		Muro: LEFT	
Stage	Z (m)	Momento (kN*m/m)	Taglio (kN/m)
Stage 4	-15.9	35.73	3.05
Stage 4	-16.1	36.34	3.05
Stage 4	-16.3	36.96	3.05
Stage 4	-16.5	37.57	3.05
Stage 4	-16.7	38.18	3.05
Stage 4	-16.9	38.79	3.05
Stage 4	-17.1	39.4	3.05
Stage 4	-17.3	40.01	3.05
Stage 4	-17.5	40.62	3.05
Stage 4	-17.7	41.23	3.05
Stage 4	-17.9	41.84	3.05
Stage 4	-18.1	42.45	3.05
Stage 4	-18.3	43.06	3.05
Stage 4	-18.5	43.67	3.05
Stage 4	-18.7	44.28	3.05
Stage 4	-18.9	44.89	3.05
Stage 4	-19.1	45.5	3.05
Stage 4	-19.3	46.11	3.05
Stage 4	-19.5	46.72	3.05
Stage 4	-19.7	47.33	3.05
Stage 4	-19.9	47.94	3.05
Stage 4	-20.1	48.56	3.05
Stage 4	-20.3	49.17	3.05
Stage 4	-20.5	49.78	3.05
Stage 4	-20.7	50.39	3.05
Stage 4	-20.9	50.87	2.43
Stage 4	-21.1	50.98	0.52
Stage 4	-21.3	50.67	-1.53
Stage 4	-21.5	50.16	-2.54
Stage 4	-21.7	49.65	-2.57
Stage 4	-21.9	49.32	-1.66
Stage 4	-22.1	49.34	0.14
Stage 4	-22.3	47.14	-10.99
Stage 4	-22.5	43.06	-20.42
Stage 4	-22.7	37.42	-28.18
Stage 4	-22.9	30.56	-34.3
Stage 4	-23.1	22.8	-38.82
Stage 4	-23.3	14.45	-41.74
Stage 4	-23.5	5.83	-43.1
Stage 4	-23.7	-2.75	-42.9
Stage 4	-23.9	-10.98	-41.15
Stage 4	-24.1	-18.55	-37.85
Stage 4	-24.3	-25.15	-32.99
Stage 4	-24.5	-30.46	-26.56
Stage 4	-24.7	-34.17	-18.57
Stage 4	-24.9	-35.98	-9.03
Stage 4	-25.1	-36.15	-0.84
Stage 4	-25.3	-34.94	6.01
Stage 4	-25.5	-32.63	11.59
Stage 4	-25.7	-29.44	15.91
Stage 4	-25.9	-25.64	19.03
Stage 4	-26.1	-21.44	20.97
Stage 4	-26.3	-17.09	21.77
Stage 4	-26.5	-12.8	21.44
Stage 4	-26.7	-8.8	20.01
Stage 4	-26.9	-5.3	17.49
Stage 4	-27.1	-2.53	13.89
Stage 4	-27.3	-0.69	9.2
Stage 4	-27.5	0	3.43

Tabella Risultati Paratia SISMICA GEO - Left Wall - Stage: Stage A

Design Assumption: SISMICA GEO Risultati Paratia		Muro: LEFT	
Stage	Z (m)	Momento (kN*m/m)	Taglio (kN/m)
Stage A	-2.5	0	-0.15
Stage A	-2.7	-0.03	-0.15
Stage A	-2.9	-1.36	-6.64
Stage A	-3.1	-4.01	-13.25
Stage A	-3.3	-8.01	-19.99
Stage A	-3.5	-13.37	-26.84
Stage A	-3.7	-20.13	-33.78
Stage A	-3.9	-28.29	-40.79
Stage A	-4.1	-37.86	-47.85
Stage A	-4.3	-48.88	-55.13
Stage A	-4.5	-61.47	-62.91
Stage A	-4.7	-47.2	71.35
Stage A	-4.9	-34.62	62.9
Stage A	-5.1	-23.78	54.19
Stage A	-5.3	-15.03	43.74
Stage A	-5.5	-8.15	34.39
Stage A	-5.7	-2.94	26.03
Stage A	-5.9	0.74	18.43
Stage A	-6.1	3.06	11.58
Stage A	-6.3	4.62	7.78
Stage A	-6.5	5.68	5.29
Stage A	-6.7	6.49	4.06
Stage A	-6.9	7.29	4.01
Stage A	-7.1	8.09	4.01
Stage A	-7.3	8.9	4.01
Stage A	-7.5	9.7	4.01
Stage A	-7.7	10.5	4.01
Stage A	-7.9	11.3	4.01
Stage A	-8.1	12.11	4.01
Stage A	-8.3	12.91	4.01
Stage A	-8.5	13.71	4.01
Stage A	-8.7	14.52	4.01
Stage A	-8.9	15.32	4.01
Stage A	-9.1	16.12	4.01
Stage A	-9.3	16.92	4.01
Stage A	-9.5	17.73	4.01
Stage A	-9.7	18.53	4.01
Stage A	-9.9	19.33	4.01
Stage A	-10.1	20.14	4.01
Stage A	-10.3	20.94	4.01
Stage A	-10.5	21.74	4.01
Stage A	-10.7	22.54	4.01
Stage A	-10.9	23.35	4.01
Stage A	-11.1	24.15	4.01
Stage A	-11.3	24.95	4.01
Stage A	-11.5	25.76	4.01
Stage A	-11.7	26.56	4.01
Stage A	-11.9	27.36	4.01
Stage A	-12.1	28.16	4.01
Stage A	-12.3	28.97	4.01
Stage A	-12.5	29.77	4.01
Stage A	-12.7	30.57	4.01
Stage A	-12.9	31.38	4.01
Stage A	-13.1	32.18	4.01
Stage A	-13.3	32.98	4.01
Stage A	-13.5	33.78	4.01
Stage A	-13.7	34.59	4.01
Stage A	-13.9	35.39	4.01
Stage A	-14.1	36.19	4.01
Stage A	-14.3	37	4.01
Stage A	-14.5	37.8	4.01
Stage A	-14.7	38.6	4.01
Stage A	-14.9	39.4	4.01
Stage A	-15.1	40.21	4.01
Stage A	-15.3	41.01	4.01
Stage A	-15.5	41.81	4.01
Stage A	-15.7	42.62	4.01

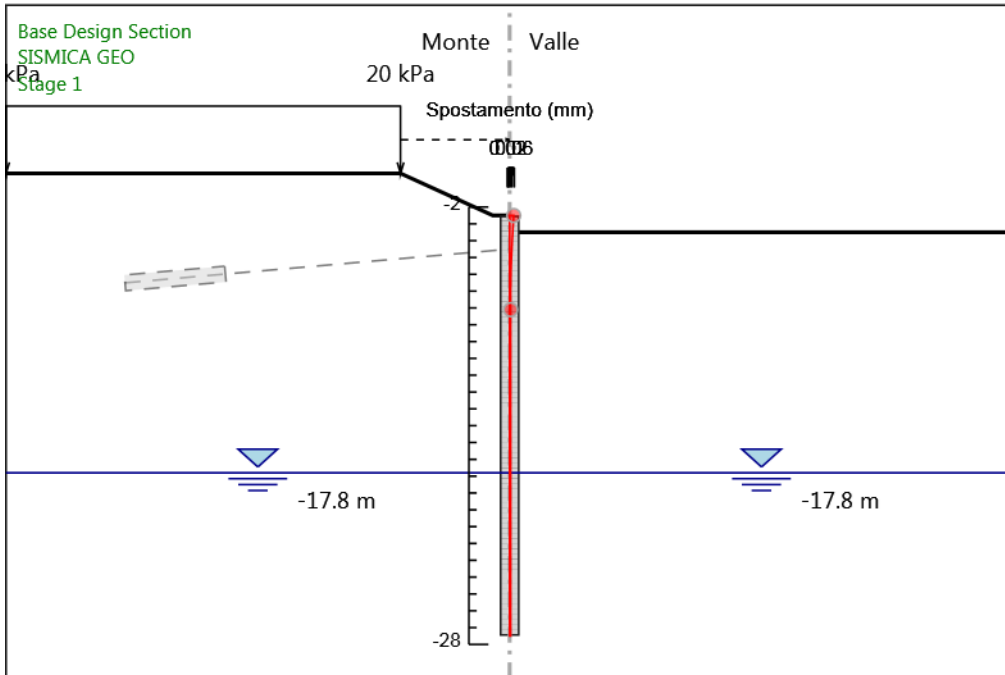
Design Assumption: SISMICA GEO Risultati Paratia		Muro: LEFT	
Stage	Z (m)	Momento (kN*m/m)	Taglio (kN/m)
Stage A	-15.9	43.42	4.01
Stage A	-16.1	44.22	4.01
Stage A	-16.3	45.02	4.01
Stage A	-16.5	45.83	4.01
Stage A	-16.7	46.63	4.01
Stage A	-16.9	47.43	4.01
Stage A	-17.1	48.24	4.01
Stage A	-17.3	49.04	4.01
Stage A	-17.5	49.84	4.01
Stage A	-17.7	50.64	4.01
Stage A	-17.9	51.45	4.01
Stage A	-18.1	52.23	3.94
Stage A	-18.3	52.97	3.68
Stage A	-18.5	53.62	3.23
Stage A	-18.7	54.13	2.57
Stage A	-18.9	54.47	1.71
Stage A	-19.1	54.6	0.62
Stage A	-19.3	54.46	-0.7
Stage A	-19.5	54.01	-2.26
Stage A	-19.7	53.19	-4.07
Stage A	-19.9	52.01	-5.89
Stage A	-20.1	50.47	-7.73
Stage A	-20.3	48.55	-9.6
Stage A	-20.5	46.25	-11.5
Stage A	-20.7	43.56	-13.42
Stage A	-20.9	40.38	-15.92
Stage A	-21.1	36.48	-19.49
Stage A	-21.3	33.49	-14.94
Stage A	-21.5	31.21	-11.44
Stage A	-21.7	29.55	-8.3
Stage A	-21.9	28.49	-5.27
Stage A	-22.1	28.05	-2.2
Stage A	-22.3	25.91	-10.71
Stage A	-22.5	22.3	-18.05
Stage A	-22.7	17.46	-24.2
Stage A	-22.9	11.64	-29.1
Stage A	-23.1	5.1	-32.73
Stage A	-23.3	-1.91	-35.05
Stage A	-23.5	-9.13	-36.06
Stage A	-23.7	-16.27	-35.7
Stage A	-23.9	-23.06	-33.97
Stage A	-24.1	-29.23	-30.83
Stage A	-24.3	-34.47	-26.23
Stage A	-24.5	-38.51	-20.16
Stage A	-24.7	-41.03	-12.6
Stage A	-24.9	-41.73	-3.52
Stage A	-25.1	-40.9	4.16
Stage A	-25.3	-38.8	10.5
Stage A	-25.5	-35.69	15.55
Stage A	-25.7	-31.82	19.35
Stage A	-25.9	-27.42	21.96
Stage A	-26.1	-22.74	23.42
Stage A	-26.3	-17.99	23.76
Stage A	-26.5	-13.38	23.01
Stage A	-26.7	-9.15	21.19
Stage A	-26.9	-5.48	18.33
Stage A	-27.1	-2.6	14.42
Stage A	-27.3	-0.7	9.48
Stage A	-27.5	0	3.5

Tabella Risultati Paratia SISMICA GEO - Left Wall - Stage: Stage 5

Design Assumption: SISMICA GEO Risultati Paratia		Muro: LEFT	
Stage	Z (m)	Momento (kN*m/m)	Taglio (kN/m)
Stage 5	-2.5	0	-0.87
Stage 5	-2.7	-0.17	-0.87
Stage 5	-2.9	-1.81	-8.16
Stage 5	-3.1	-4.99	-15.9
Stage 5	-3.3	-9.65	-23.33
Stage 5	-3.5	-15.72	-30.32
Stage 5	-3.7	-23.09	-36.86
Stage 5	-3.9	-31.67	-42.93
Stage 5	-4.1	-41.37	-48.49
Stage 5	-4.3	-52.1	-53.67
Stage 5	-4.5	-63.85	-58.75
Stage 5	-4.7	-47.92	79.68
Stage 5	-4.9	-32.89	75.12
Stage 5	-5.1	-18.72	70.89
Stage 5	-5.3	-5.45	66.33
Stage 5	-5.5	6.86	61.57
Stage 5	-5.7	18.19	56.63
Stage 5	-5.9	28.49	51.48
Stage 5	-6.1	37.71	46.14
Stage 5	-6.3	46.64	44.61
Stage 5	-6.5	55.25	43.07
Stage 5	-6.7	63.56	41.53
Stage 5	-6.9	71.56	40
Stage 5	-7.1	79.25	38.46
Stage 5	-7.3	86.63	36.92
Stage 5	-7.5	93.71	35.39
Stage 5	-7.7	100.48	33.85
Stage 5	-7.9	106.94	32.31
Stage 5	-8.1	113.1	30.77
Stage 5	-8.3	118.94	29.24
Stage 5	-8.5	124.48	27.7
Stage 5	-8.7	129.72	26.16
Stage 5	-8.9	134.64	24.63
Stage 5	-9.1	139.26	23.09
Stage 5	-9.3	143.57	21.55
Stage 5	-9.5	147.57	20.02
Stage 5	-9.7	151.27	18.48
Stage 5	-9.9	154.66	16.94
Stage 5	-10.1	157.74	15.4
Stage 5	-10.3	160.51	13.87
Stage 5	-10.5	162.98	12.33
Stage 5	-10.7	165.14	10.79
Stage 5	-10.9	166.99	9.26
Stage 5	-11.1	168.53	7.72
Stage 5	-11.3	169.77	6.18
Stage 5	-11.5	170.7	4.65
Stage 5	-11.7	171.32	3.11
Stage 5	-11.9	171.63	1.57
Stage 5	-12.1	171.64	0.03
Stage 5	-12.3	171.34	-1.5
Stage 5	-12.5	170.73	-3.04
Stage 5	-12.7	169.82	-4.58
Stage 5	-12.9	168.6	-6.11
Stage 5	-13.1	167.06	-7.65
Stage 5	-13.3	165.23	-9.19
Stage 5	-13.5	163.08	-10.72
Stage 5	-13.7	160.63	-12.26
Stage 5	-13.9	157.87	-13.8
Stage 5	-14.1	154.8	-15.34
Stage 5	-14.3	151.43	-16.87
Stage 5	-14.5	147.75	-18.41
Stage 5	-14.7	143.76	-19.95
Stage 5	-14.9	139.46	-21.48
Stage 5	-15.1	134.86	-23.02
Stage 5	-15.3	129.95	-24.56
Stage 5	-15.5	124.73	-26.09
Stage 5	-15.7	119.2	-27.63

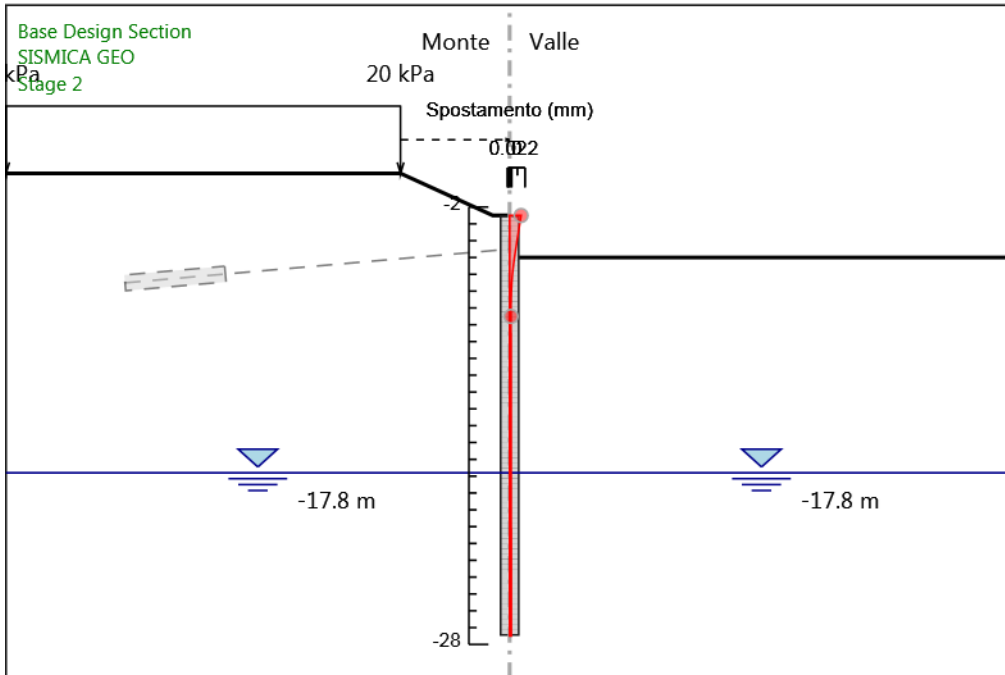
Design Assumption: SISMICA GEO Risultati Paratia		Muro: LEFT	
Stage	Z (m)	Momento (kN*m/m)	Taglio (kN/m)
Stage 5	-15.9	113.37	-29.17
Stage 5	-16.1	107.23	-30.71
Stage 5	-16.3	100.78	-32.24
Stage 5	-16.5	94.02	-33.78
Stage 5	-16.7	86.96	-35.32
Stage 5	-16.9	79.59	-36.85
Stage 5	-17.1	71.91	-38.39
Stage 5	-17.3	63.92	-39.93
Stage 5	-17.5	55.63	-41.46
Stage 5	-17.7	47.03	-43
Stage 5	-17.9	38.12	-44.54
Stage 5	-18.1	28.91	-46.08
Stage 5	-18.3	19.39	-47.61
Stage 5	-18.5	9.56	-49.15
Stage 5	-18.7	-0.58	-50.69
Stage 5	-18.9	-11.03	-52.22
Stage 5	-19.1	-21.78	-53.76
Stage 5	-19.3	-32.84	-55.3
Stage 5	-19.5	-44.2	-56.83
Stage 5	-19.7	-55.73	-57.6
Stage 5	-19.9	-66.53	-54.03
Stage 5	-20.1	-76.12	-47.94
Stage 5	-20.3	-84.51	-41.95
Stage 5	-20.5	-91.72	-36.03
Stage 5	-20.7	-97.74	-30.14
Stage 5	-20.9	-102.59	-24.22
Stage 5	-21.1	-106.22	-18.16
Stage 5	-21.3	-106.54	-1.61
Stage 5	-21.5	-104.19	11.78
Stage 5	-21.7	-99.66	22.63
Stage 5	-21.9	-93.36	31.48
Stage 5	-22.1	-85.62	38.73
Stage 5	-22.3	-79.24	31.91
Stage 5	-22.5	-74.17	25.31
Stage 5	-22.7	-70.35	19.12
Stage 5	-22.9	-67.65	13.5
Stage 5	-23.1	-65.93	8.61
Stage 5	-23.3	-65.01	4.58
Stage 5	-23.5	-64.71	1.52
Stage 5	-23.7	-64.79	-0.43
Stage 5	-23.9	-65.03	-1.19
Stage 5	-24.1	-65.16	-0.65
Stage 5	-24.3	-64.91	1.27
Stage 5	-24.5	-63.97	4.67
Stage 5	-24.7	-62.06	9.58
Stage 5	-24.9	-58.84	16.08
Stage 5	-25.1	-54.58	21.28
Stage 5	-25.3	-49.53	25.25
Stage 5	-25.5	-43.92	28.08
Stage 5	-25.7	-37.95	29.81
Stage 5	-25.9	-31.85	30.52
Stage 5	-26.1	-25.8	30.25
Stage 5	-26.3	-19.99	29.04
Stage 5	-26.5	-14.61	26.94
Stage 5	-26.7	-9.81	23.96
Stage 5	-26.9	-5.79	20.12
Stage 5	-27.1	-2.7	15.44
Stage 5	-27.3	-0.72	9.93
Stage 5	-27.5	0	3.58

Grafico Spostamento SISMICA GEO - Stage: Stage 1



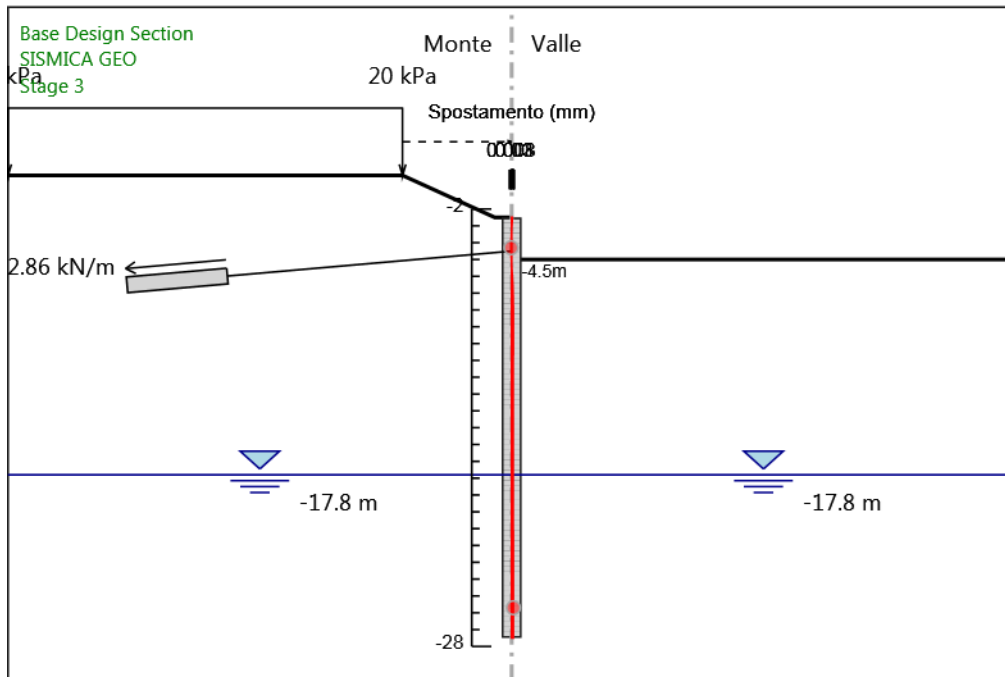
Design Assumption: SISMICA GEO
Stage: Stage 1
Spostamento

Grafico Spostamento SISMICA GEO - Stage: Stage 2



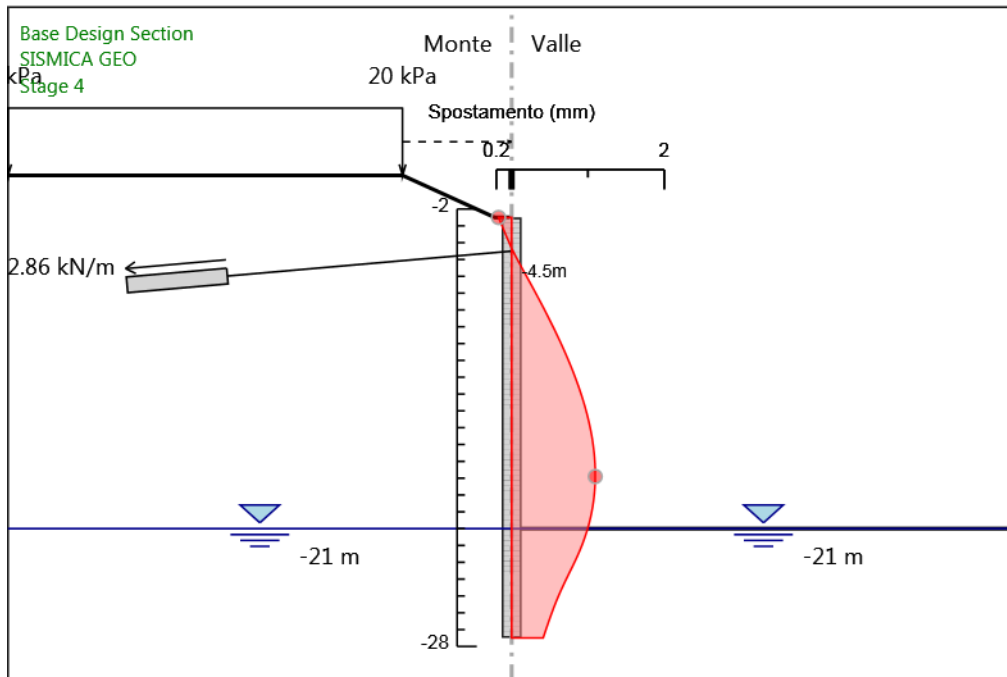
Design Assumption: SISMICA GEO
Stage: Stage 2
Spostamento

Grafico Spostamento SISMICA GEO - Stage: Stage 3



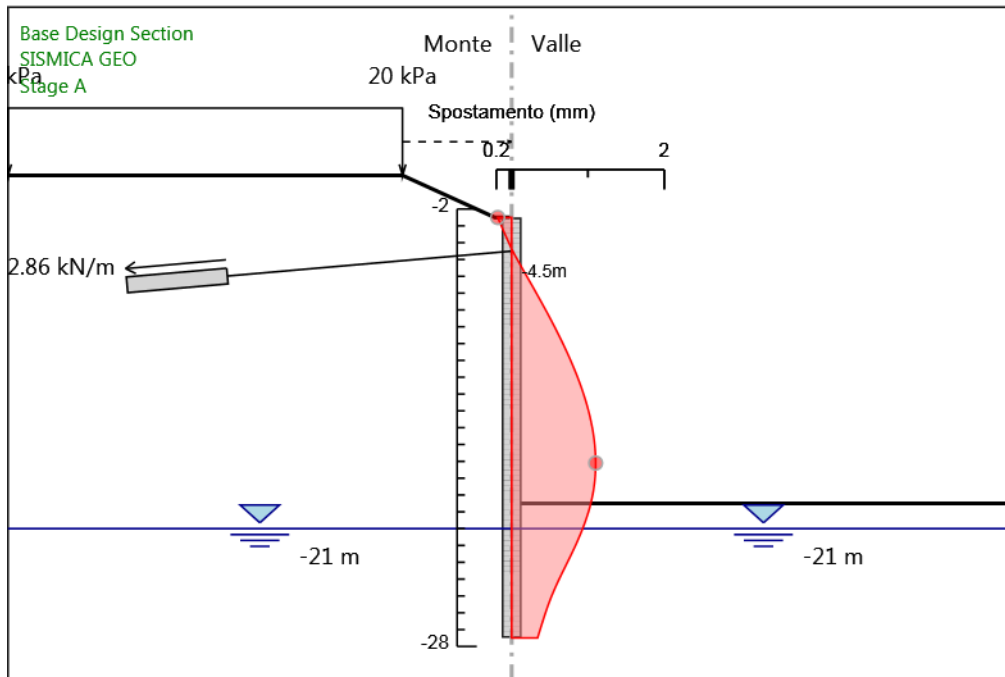
Design Assumption: SISMICA GEO
Stage: Stage 3
Spostamento

Grafico Spostamento SISMICA GEO - Stage: Stage 4



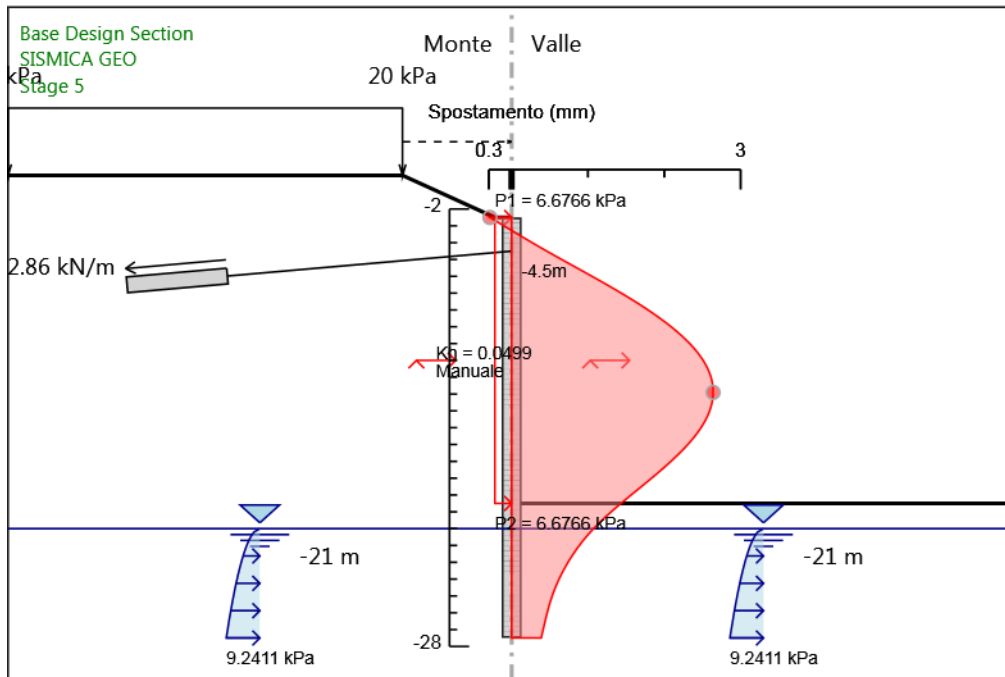
Design Assumption: SISMICA GEO
Stage: Stage 4
Spostamento

Grafico Spostamento SISMICA GEO - Stage: Stage A



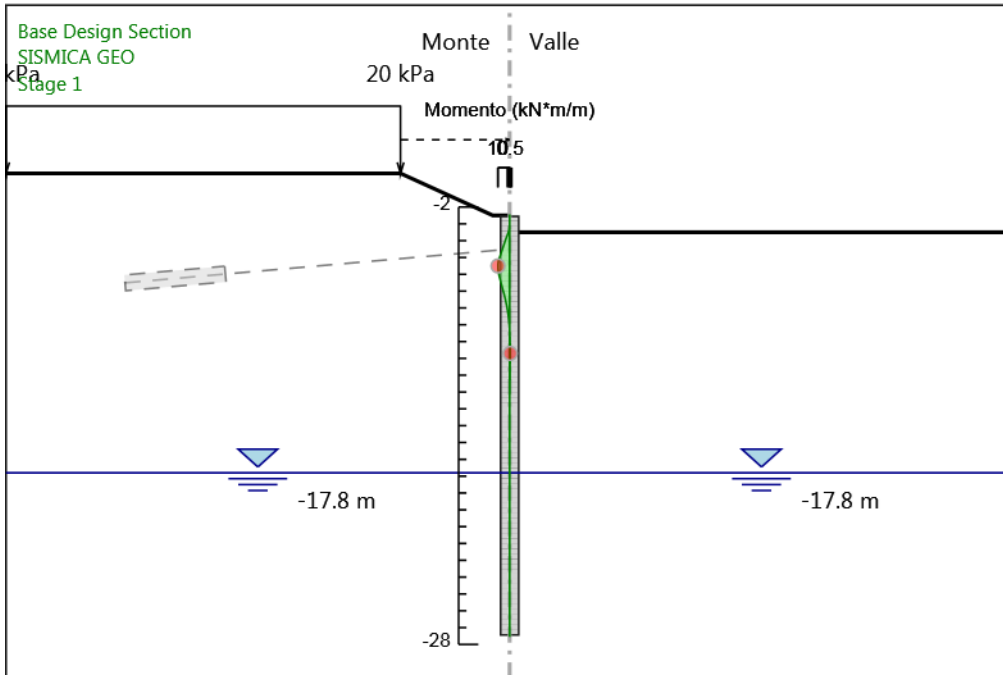
Design Assumption: SISMICA GEO
Stage: Stage A
Spostamento

Grafico Spostamento SISMICA GEO - Stage: Stage 5



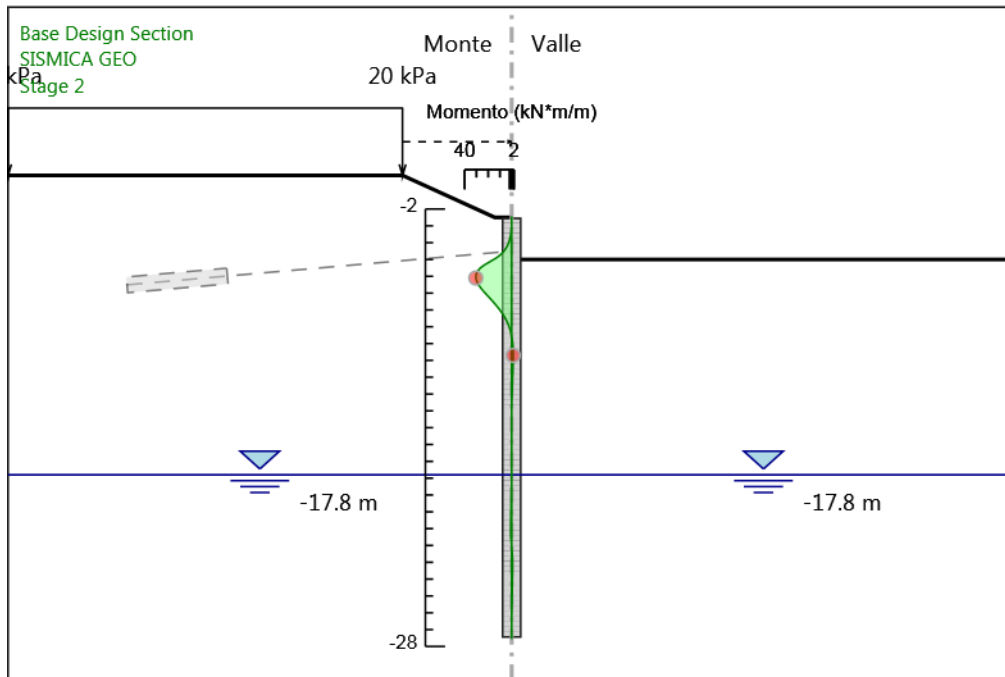
Design Assumption: SISMICA GEO
Stage: Stage 5
Spostamento

Grafico Risultati Momento SISMICA GEO - Stage: Stage 1



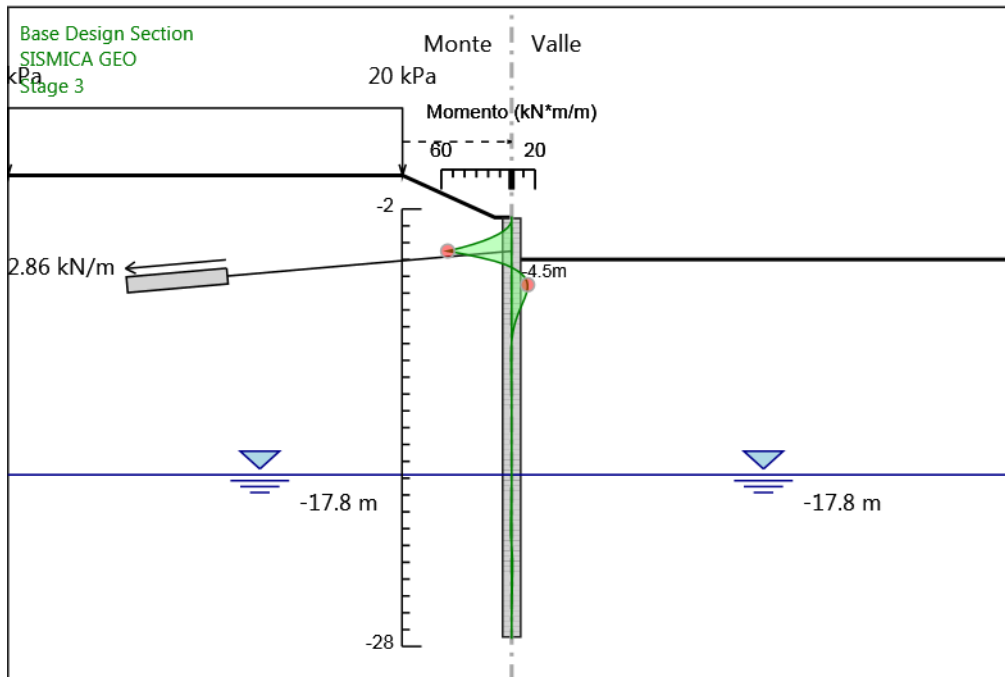
Design Assumption: SISMICA GEO
Stage: Stage 1
Momento

Grafico Risultati Momento SISMICA GEO - Stage: Stage 2



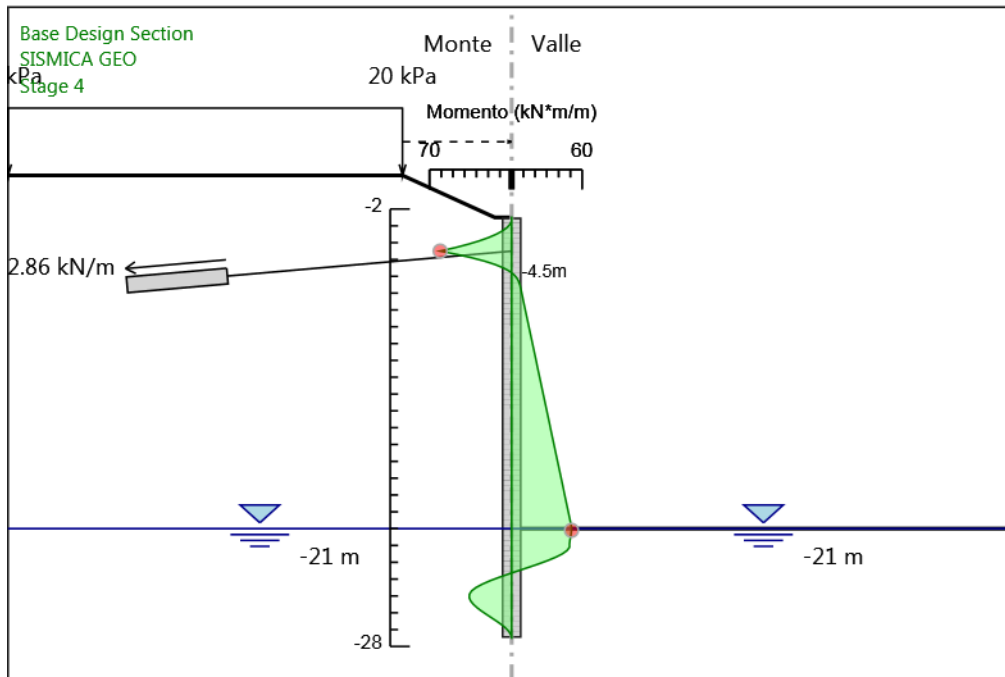
Design Assumption: SISMICA GEO
Stage: Stage 2
Momento

Grafico Risultati Momento SISMICA GEO - Stage: Stage 3



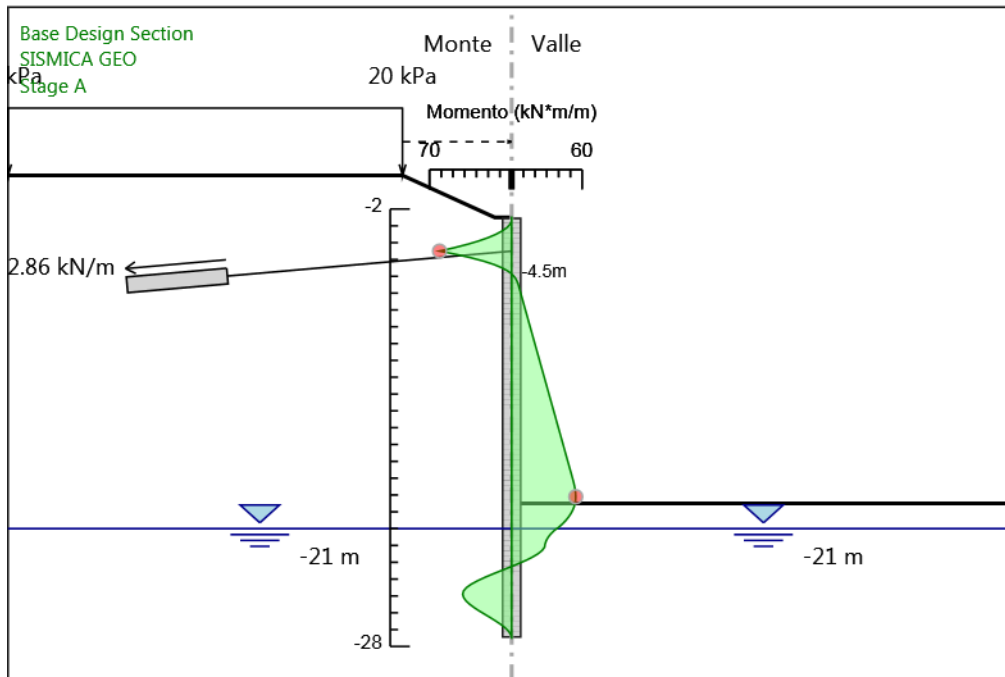
Design Assumption: SISMICA GEO
Stage: Stage 3
Momento

Grafico Risultati Momento SISMICA GEO - Stage: Stage 4



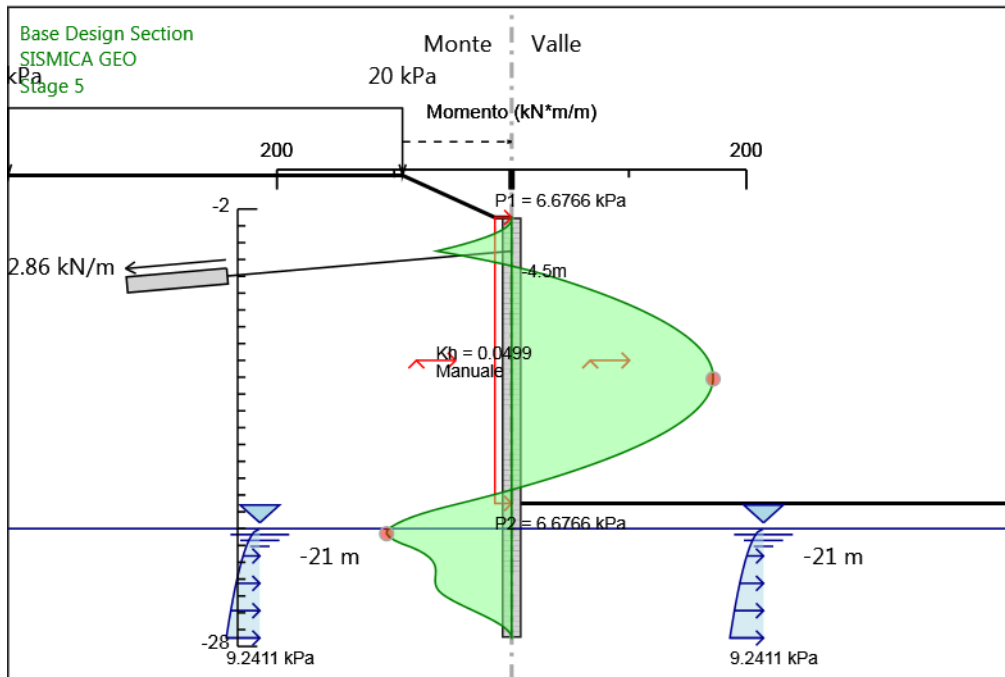
Design Assumption: SISMICA GEO
Stage: Stage 4
Momento

Grafico Risultati Momento SISMICA GEO - Stage: Stage A



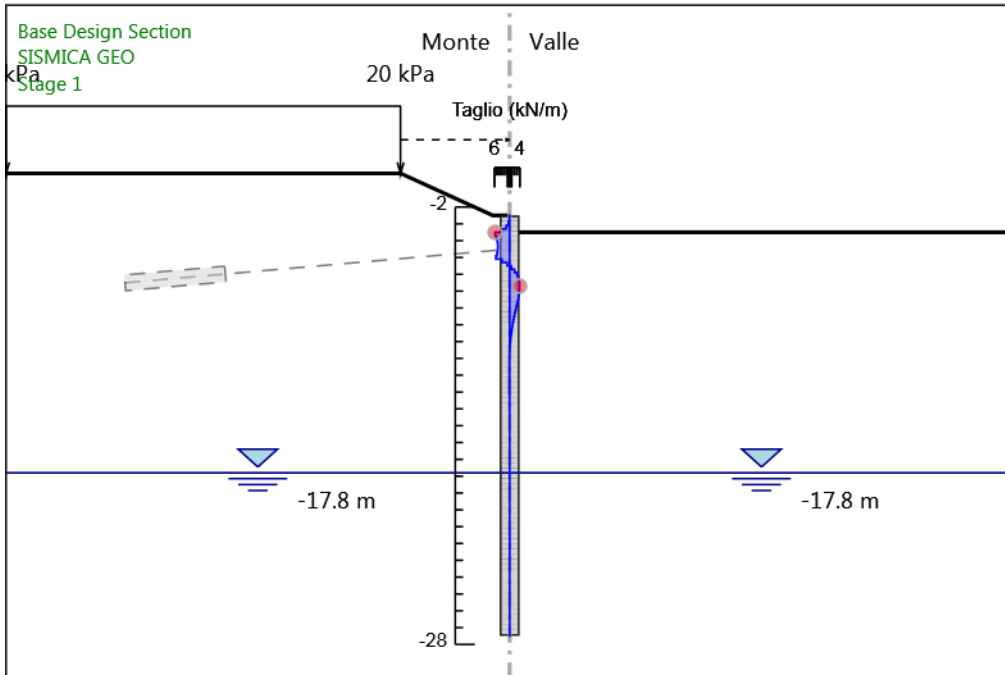
Design Assumption: SISMICA GEO
Stage: Stage A
Momento

Grafico Risultati Momento SISMICA GEO - Stage: Stage 5



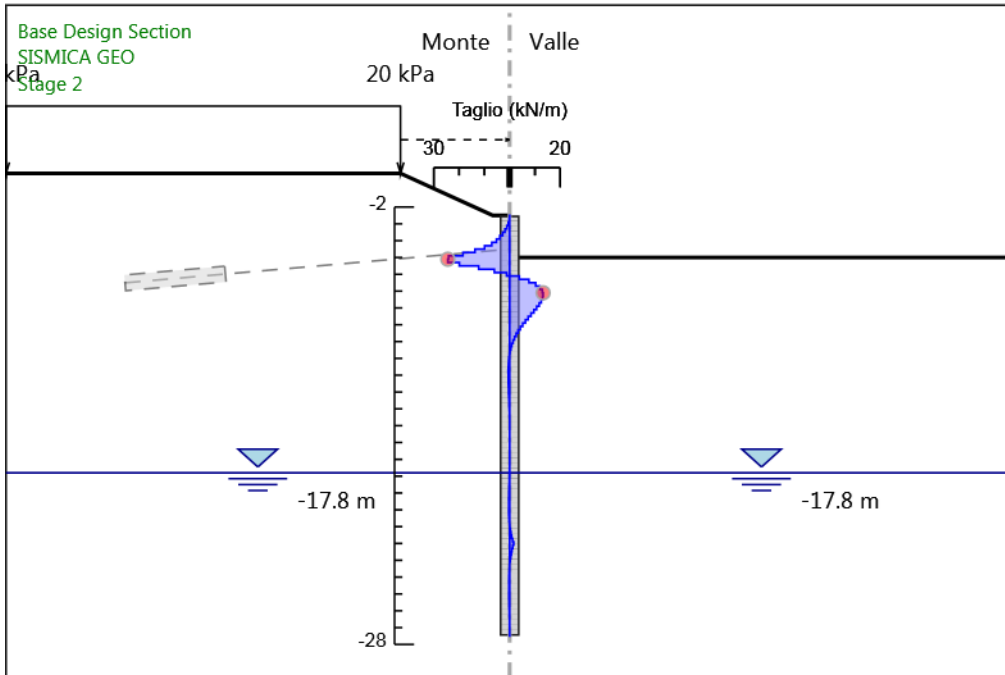
Design Assumption: SISMICA GEO
Stage: Stage 5
Momento

Grafico Risultati Taglio SISMICA GEO - Stage: Stage 1



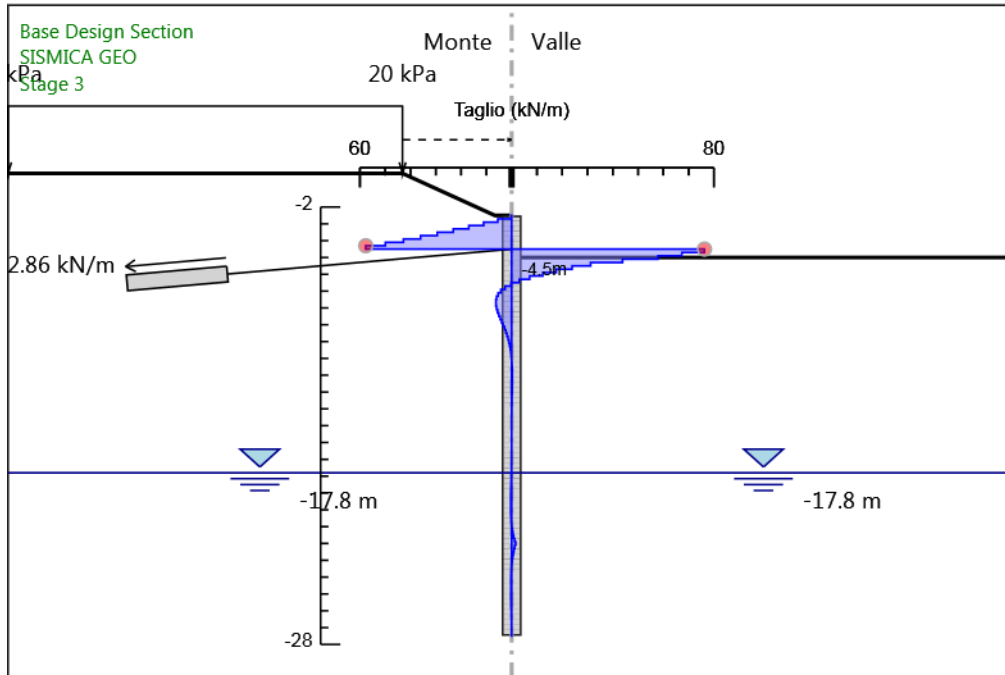
Design Assumption: SISMICA GEO
Stage: Stage 1
Taglio

Grafico Risultati Taglio SISMICA GEO - Stage: Stage 2



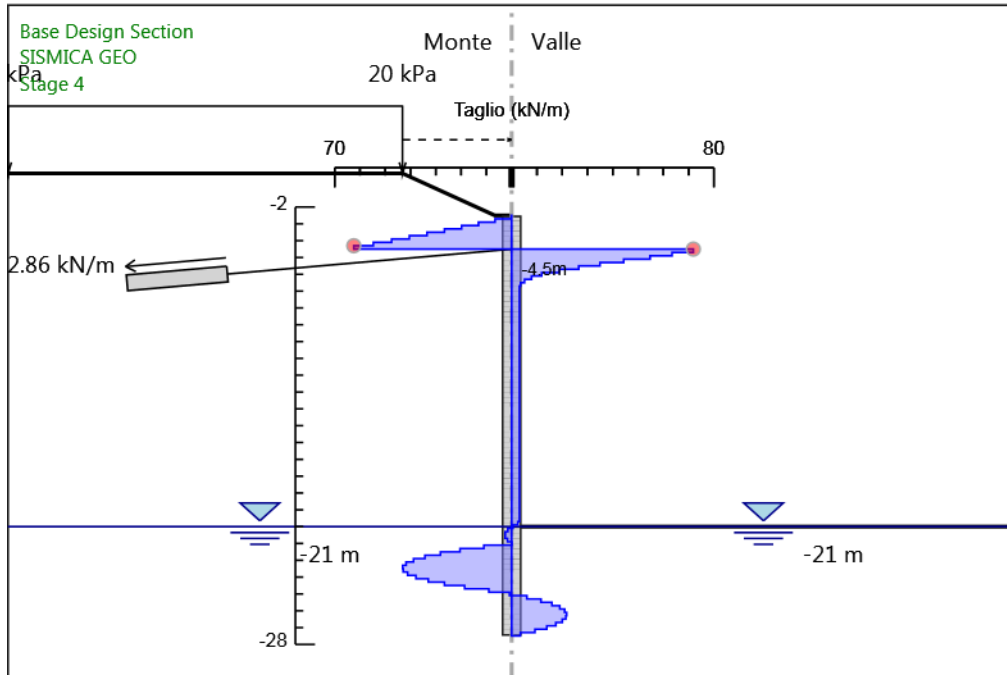
Design Assumption: SISMICA GEO
Stage: Stage 2
Taglio

Grafico Risultati Taglio SISMICA GEO - Stage: Stage 3



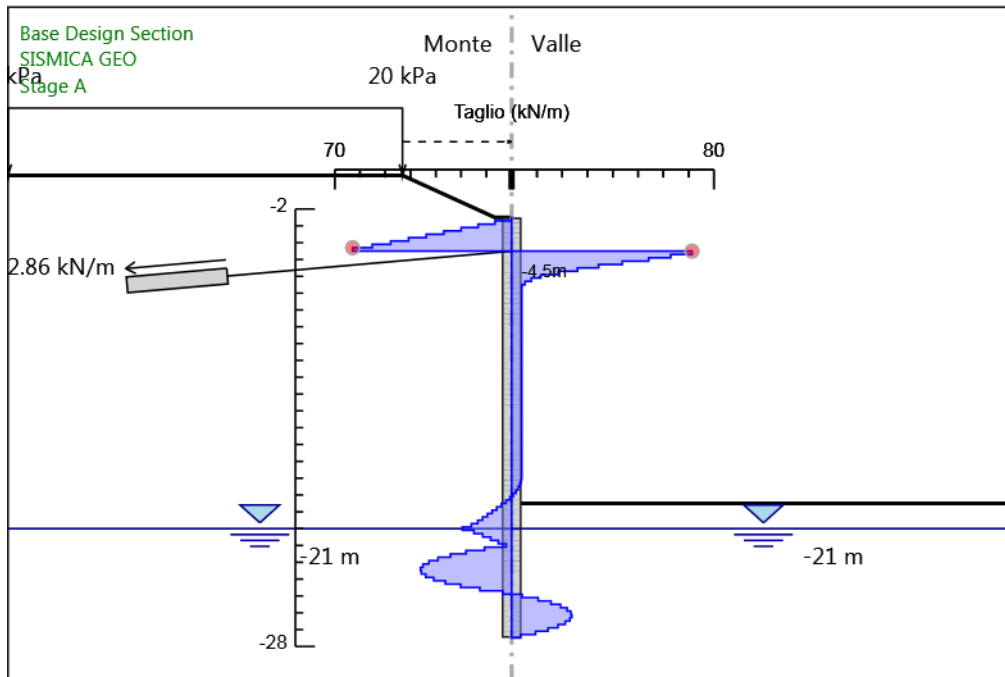
Design Assumption: SISMICA GEO
Stage: Stage 3
Taglio

Grafico Risultati Taglio SISMICA GEO - Stage: Stage 4



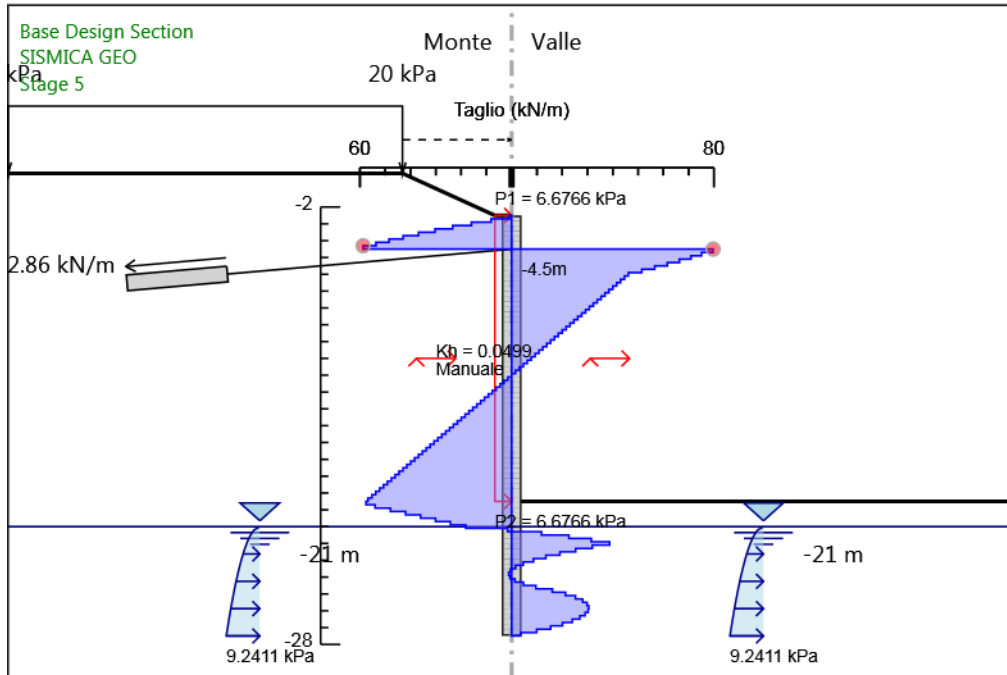
Design Assumption: SISMICA GEO
Stage: Stage 4
Taglio

Grafico Risultati Taglio SISMICA GEO - Stage: Stage A



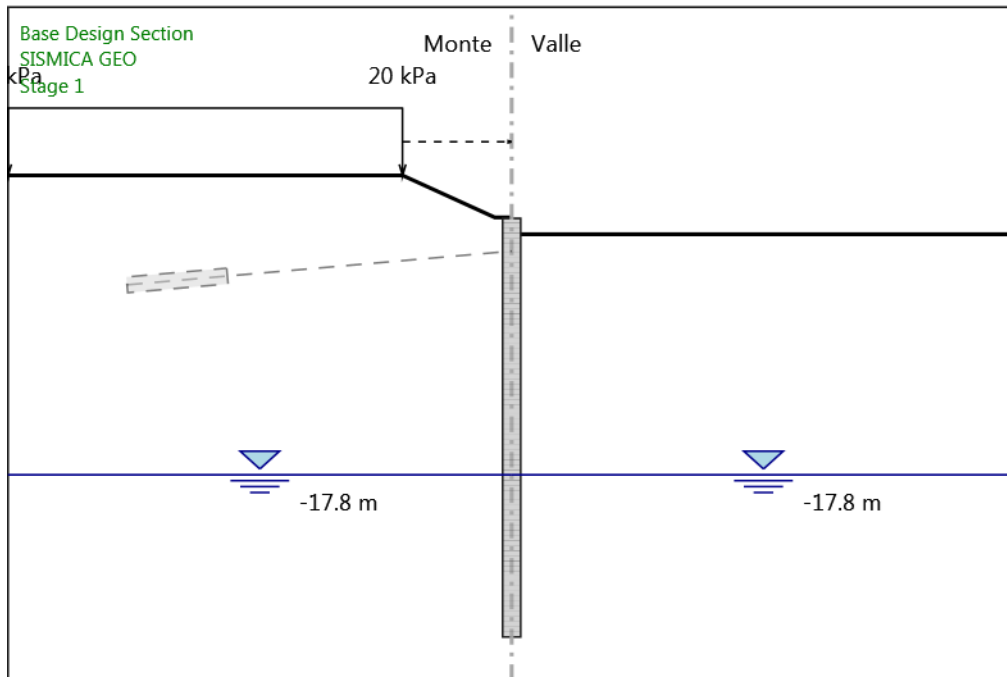
Design Assumption: SISMICA GEO
Stage: Stage A
Taglio

Grafico Risultati Taglio SISMICA GEO - Stage: Stage 5



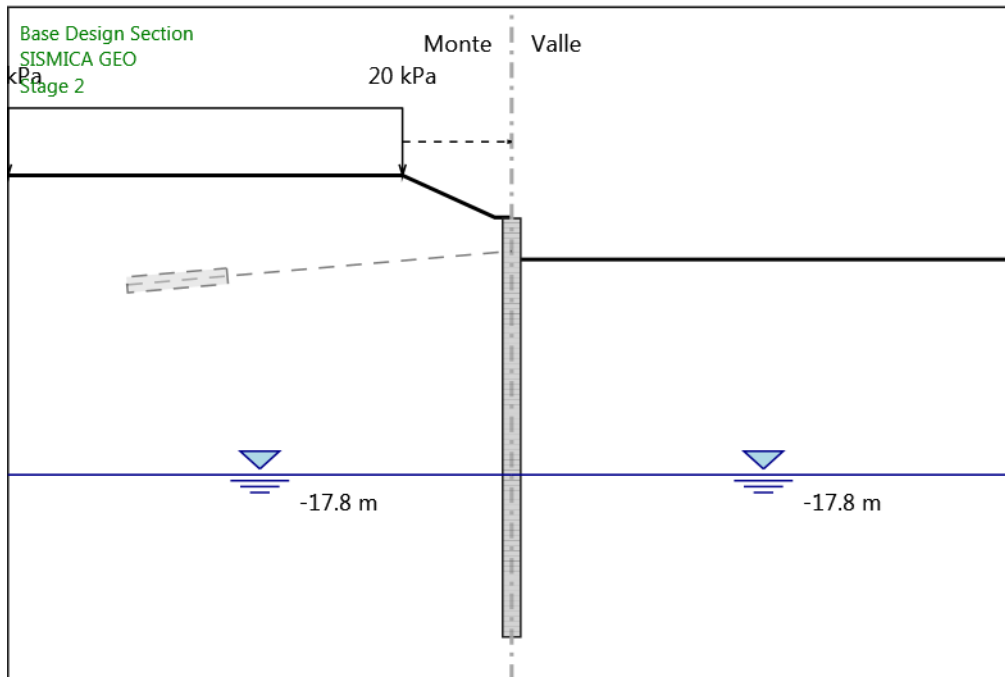
Design Assumption: SISMICA GEO
Stage: Stage 5
Taglio

Grafico Risultati Momento SISMICA GEO - Stage: Stage 1



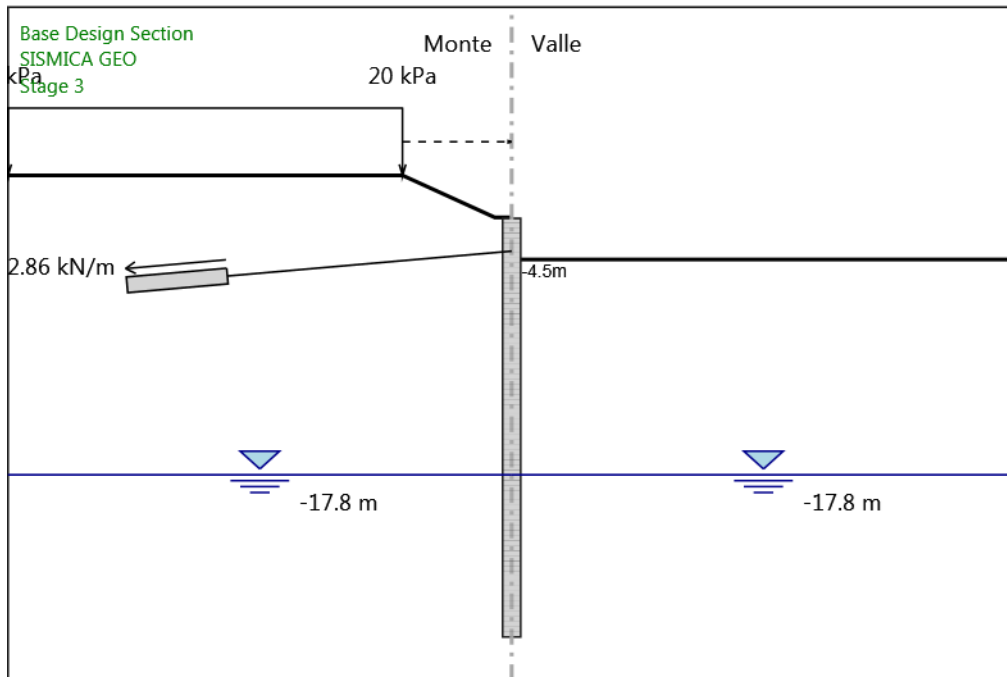
Design Assumption: SISMICA GEO
Stage: Stage 1
Momento

Grafico Risultati Momento SISMICA GEO - Stage: Stage 2



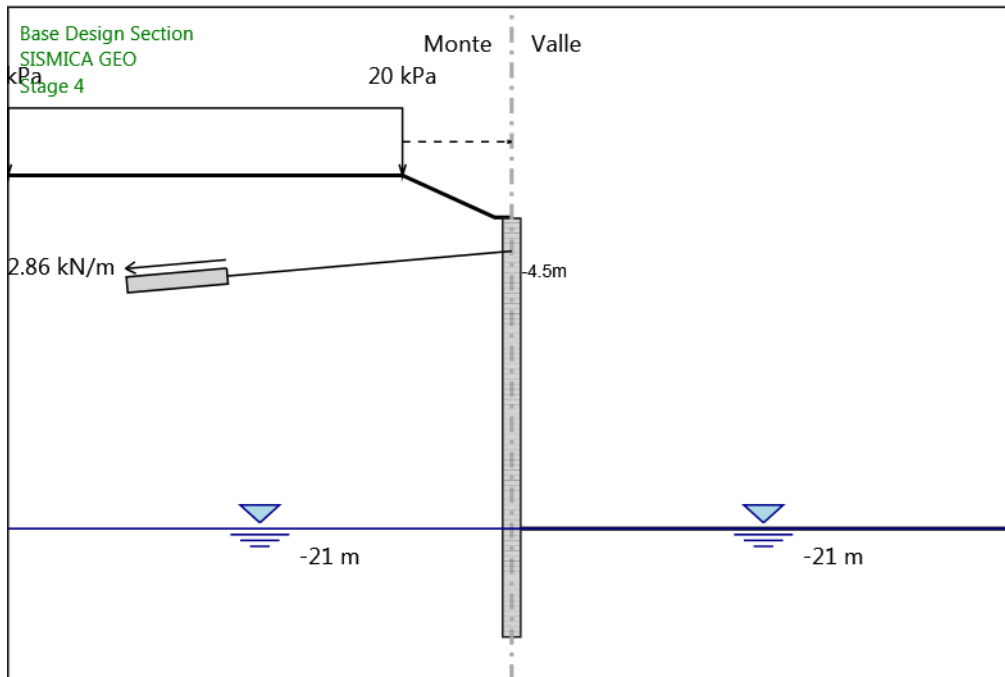
Design Assumption: SISMICA GEO
Stage: Stage 2
Momento

Grafico Risultati Momento SISMICA GEO - Stage: Stage 3



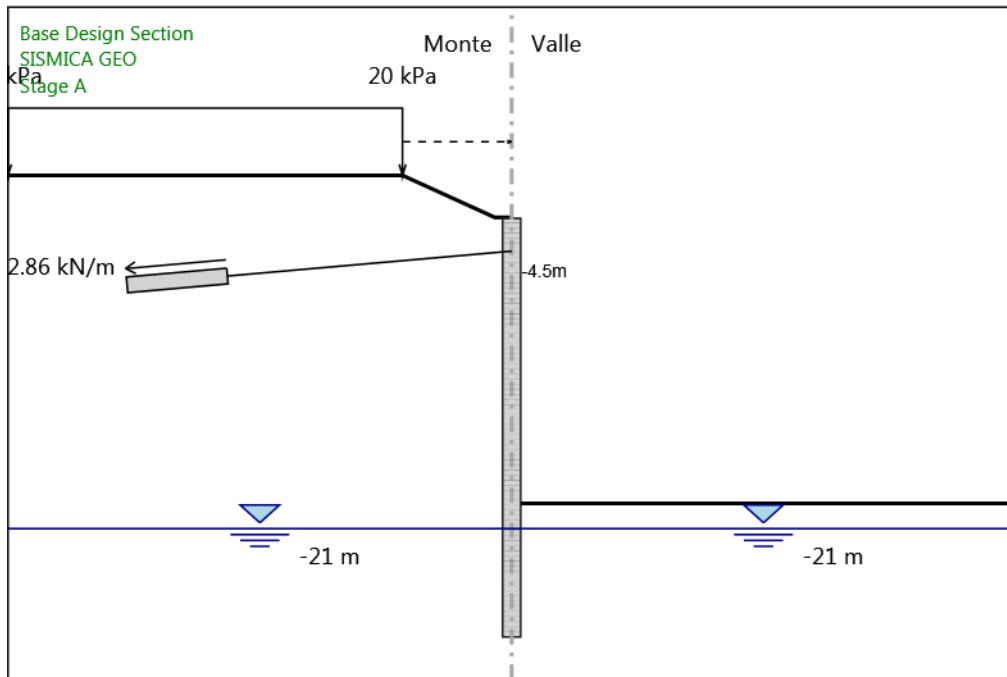
Design Assumption: SISMICA GEO
Stage: Stage 3
Momento

Grafico Risultati Momento SISMICA GEO - Stage: Stage 4



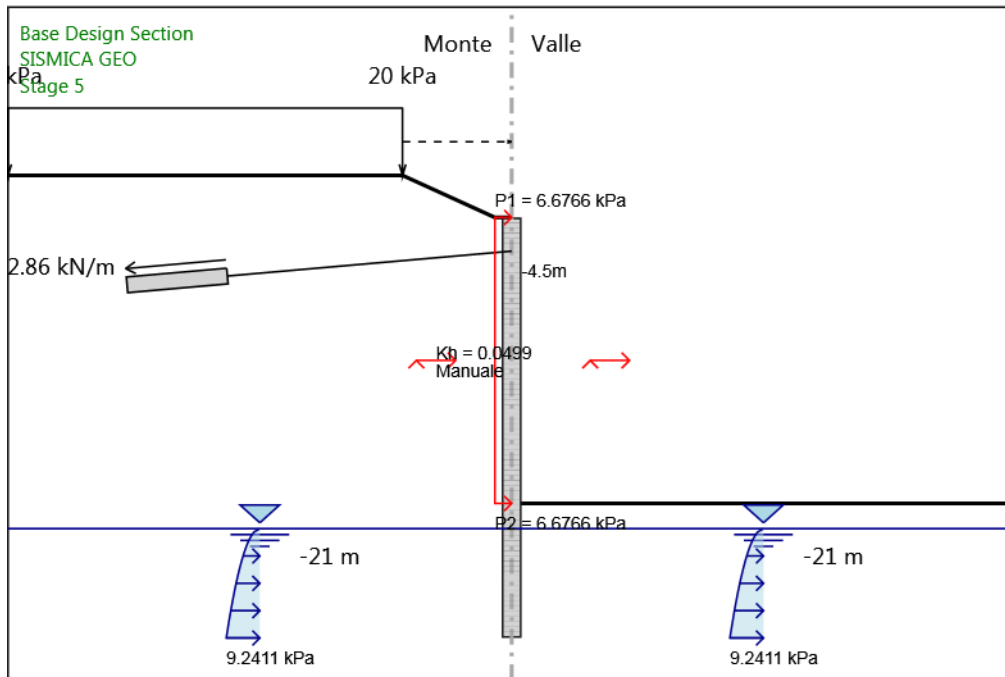
Design Assumption: SISMICA GEO
Stage: Stage 4
Momento

Grafico Risultati Momento SISMICA GEO - Stage: Stage A



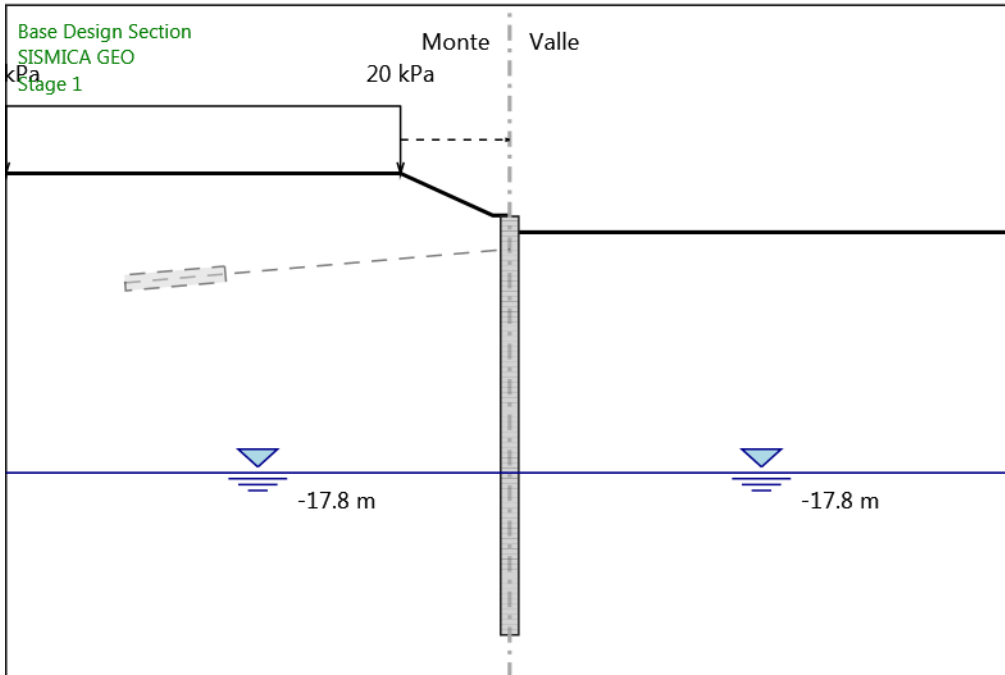
Design Assumption: SISMICA GEO
Stage: Stage A
Momento

Grafico Risultati Momento SISMICA GEO - Stage: Stage 5



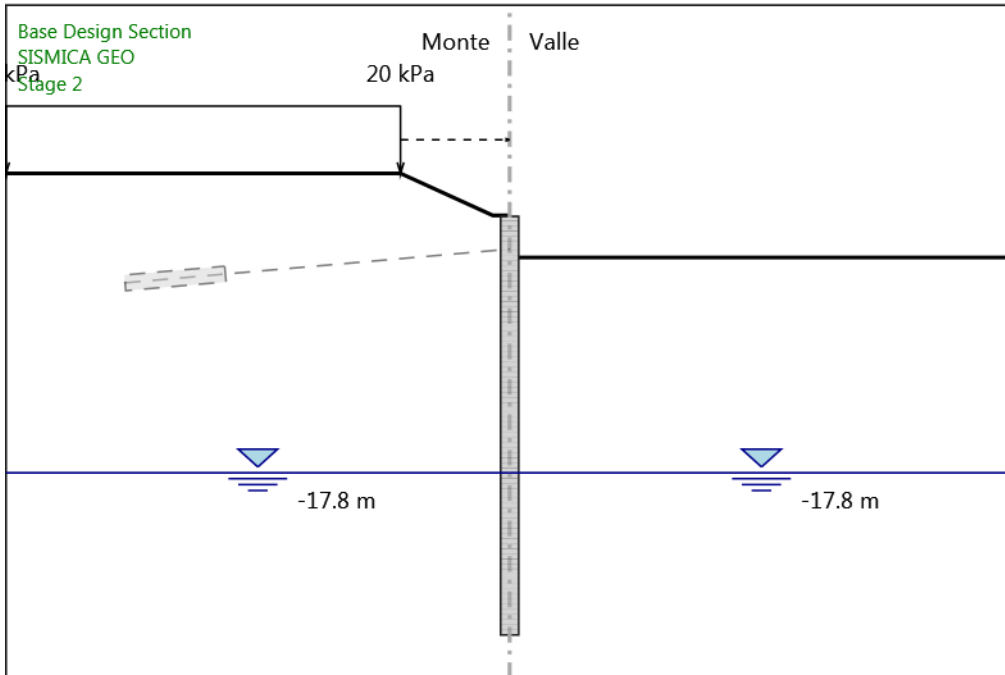
Design Assumption: SISMICA GEO
Stage: Stage 5
Momento

Grafico Risultati Taglio SISMICA GEO - Stage: Stage 1



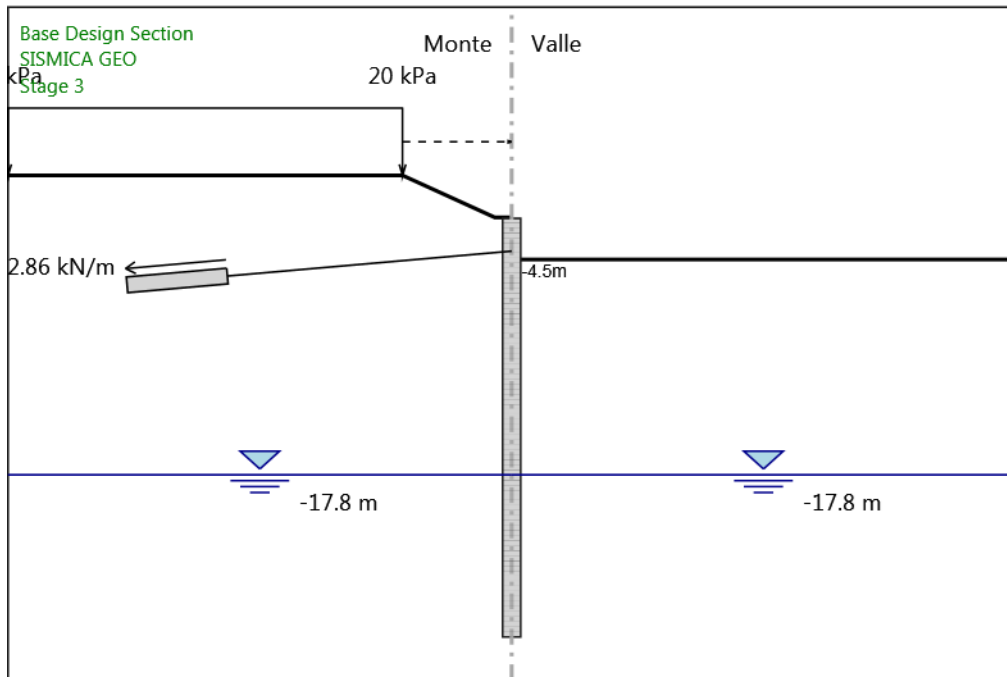
Design Assumption: SISMICA GEO
Stage: Stage 1
Taglio

Grafico Risultati Taglio SISMICA GEO - Stage: Stage 2



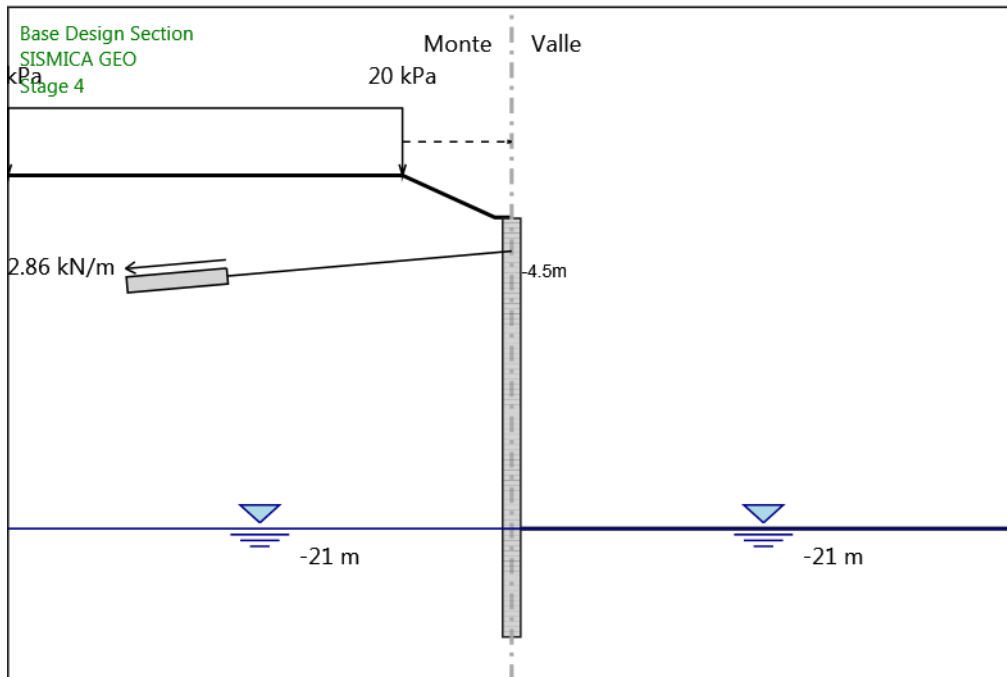
Design Assumption: SISMICA GEO
Stage: Stage 2
Taglio

Grafico Risultati Taglio SISMICA GEO - Stage: Stage 3



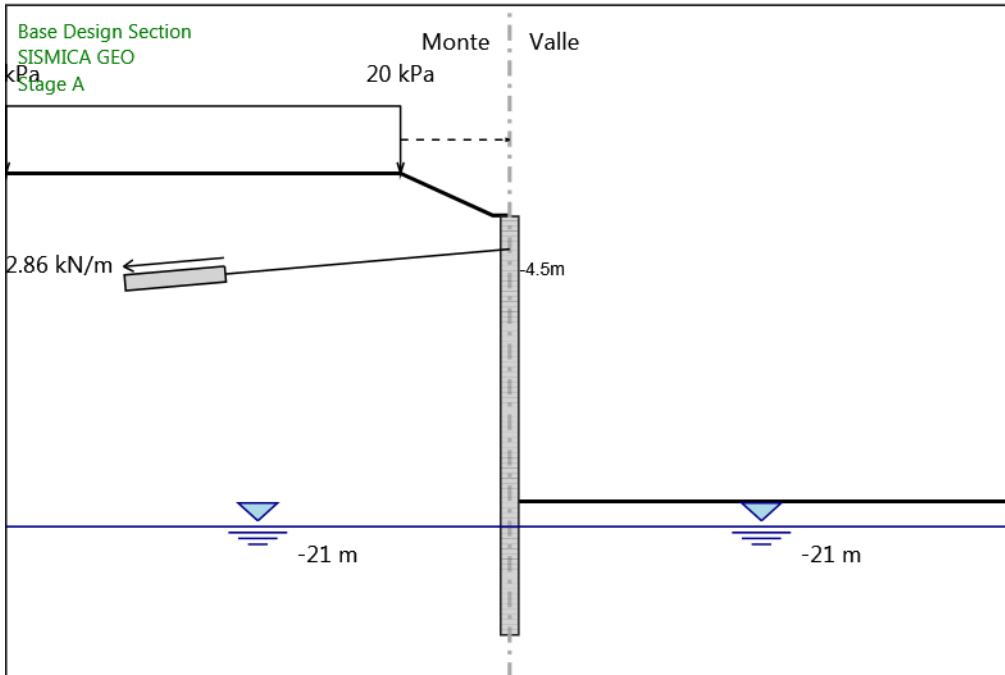
Design Assumption: SISMICA GEO
Stage: Stage 3
Taglio

Grafico Risultati Taglio SISMICA GEO - Stage: Stage 4



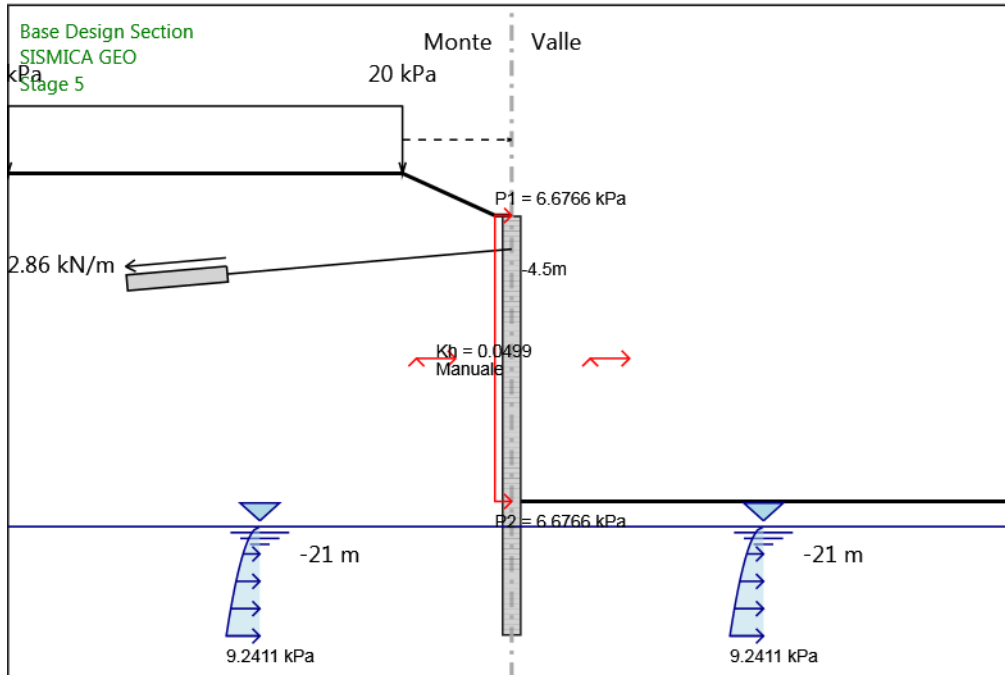
Design Assumption: SISMICA GEO
Stage: Stage 4
Taglio

Grafico Risultati Taglio SISMICA GEO - Stage: Stage A



Design Assumption: SISMICA GEO
Stage: Stage A
Taglio

Grafico Risultati Taglio SISMICA GEO - Stage: Stage 5



Design Assumption: SISMICA GEO
Stage: Stage 5
Taglio

Risultati Elementi strutturali - SISMICA GEO

Design Assumption: SISMICA GEO Sollecitazione Tieback

Stage	Forza (kN/m)
Stage 3	142.9
Stage 4	142.951
Stage A	142.9447
Stage 5	143.8248

TRATTA C



Report di Calcolo

Nome Progetto: New Project

Autore: Ingegnere

Jobname: N:\P-CH Lomazzo\02-Mandati\02014 - Gallerie CEPAV2\300_Progetto\308_Progetto esecutivo_MA\04_Calcolo\LONATO\02-Paratie\Imb_MI\02-LATO A4\TRATTA C_V05.pplus

Data: 23/08/2018 12:20:44

Design Section: Base Design Section

Sommario

Contenuto Sommario

Descrizione del Software

ParatiePlus è un codice agli elementi finiti che simula il problema di uno scavo sostenuto da diaframmi flessibili e permette di valutare il comportamento della parete di sostegno durante tutte le fasi intermedie e nella configurazione finale.

Descrizione della Stratigrafia e degli Strati di Terreno

Tipo : HORIZONTAL

Quota : 0 m

OCR : 1

Tipo : HORIZONTAL

Quota : -5 m

OCR : 1

Tipo : HORIZONTAL

Quota : -10 m

OCR : 1

Tipo : HORIZONTAL

Quota : -15 m

OCR : 1

Tipo : HORIZONTAL

Quota : -20 m

OCR : 1

Descrizione Pareti

X : 0 m

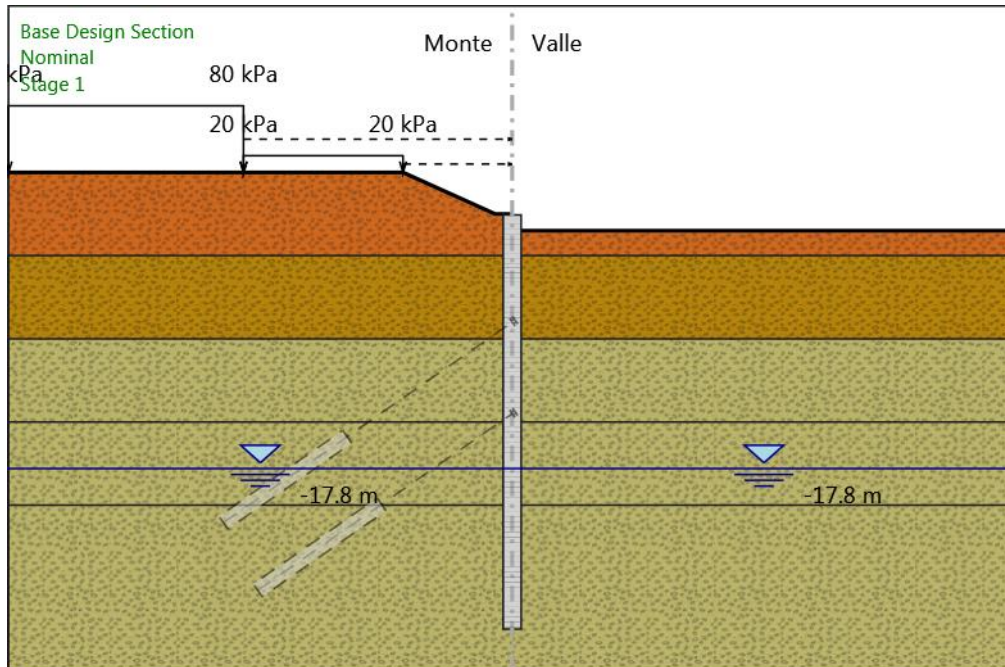
Quota in alto : -2.5 m

Quota di fondo : -27.5 m

Muro di sinistra

Fasi di Calcolo

Stage 1



Stage 1

Elementi strutturali

Paratia : WallElement

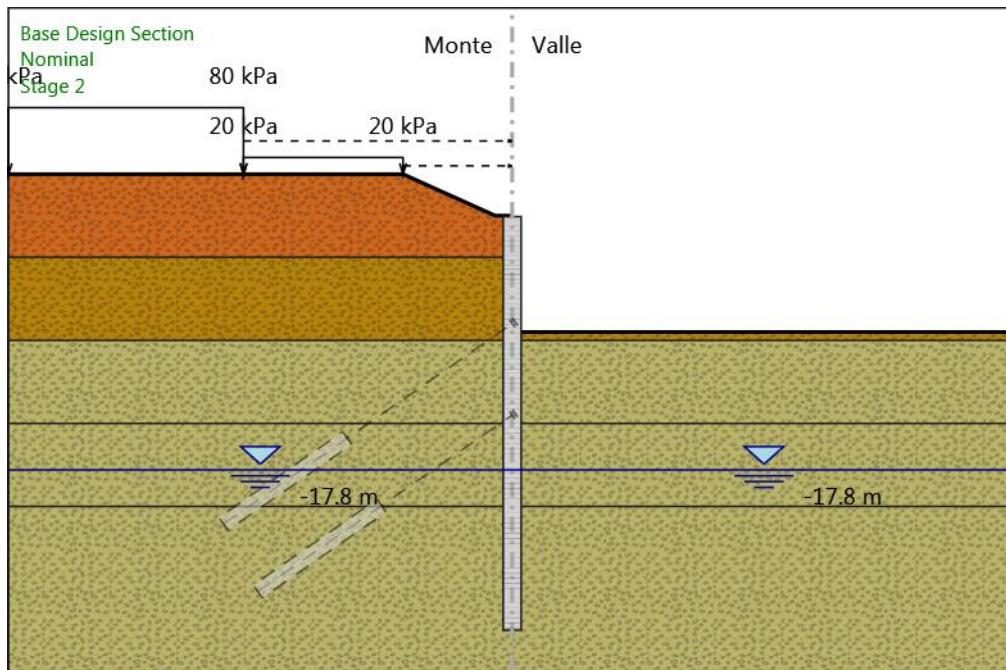
X : 0 m

Quota in alto : -2.5 m

Quota di fondo : -27.5 m

Sezione : Default Section

Stage 2



Stage 2

Elementi strutturali

Paratia : WallElement

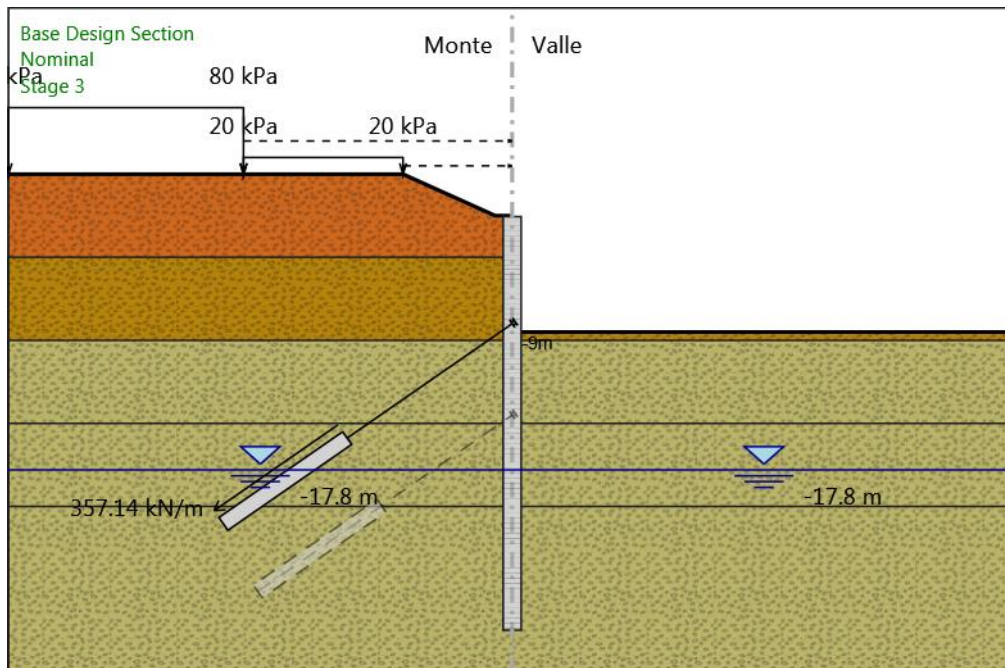
X : 0 m

Quota in alto : -2.5 m

Quota di fondo : -27.5 m

Sezione : Default Section

Stage 3



Stage 3

Elementi strutturali

Paratia : WallElement

X : 0 m

Quota in alto : -2.5 m

Quota di fondo : -27.5 m

Sezione : Default Section

Tirante : Tieback

X : 0 m

Z : -9 m

Lunghezza bulbo : 9 m

Diametro bulbo : 0.18 m

Lunghezza libera : 12 m

Spaziatura orizzontale : 1.4 m

Precarico : 500 kN

Angolo : 35 °

Sezione : 6 trefoli

Tipo di barre : Barre trefoli

Numero di barre : 6

Diametro : 0.01331 m

Area : 0.000834 m²

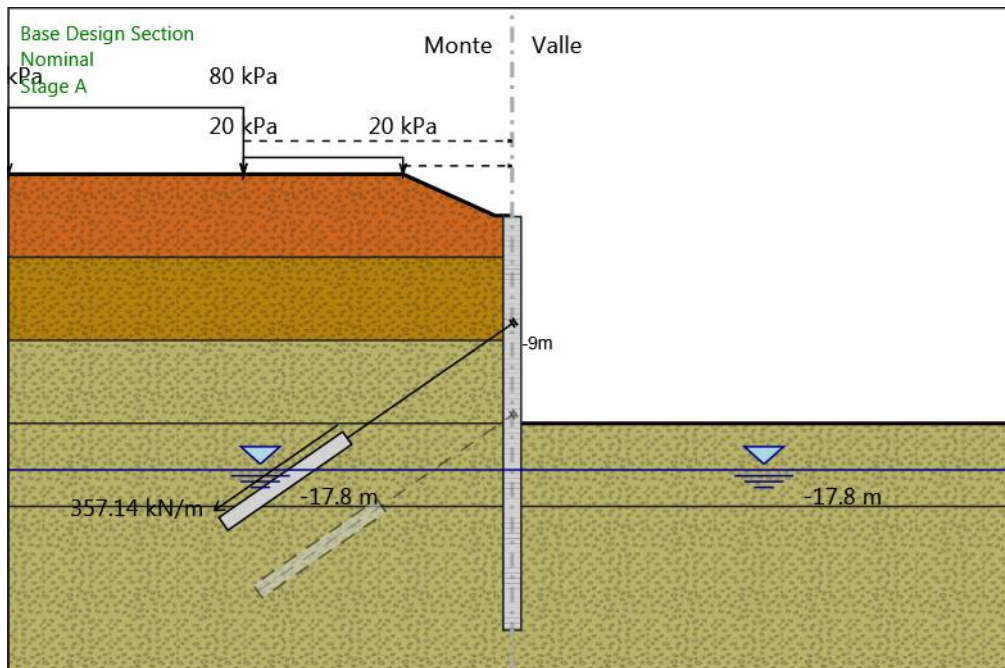
Trave di Ripartizione : Default Waler

Sezione : Waler Section 2 steel

HE 220B

Materiale : Fe510

Stage A



Stage A

Elementi strutturali

Paratia : WallElement

X : 0 m

Quota in alto : -2.5 m

Quota di fondo : -27.5 m

Sezione : Default Section

Tirante : Tieback

X : 0 m

Z : -9 m

Lunghezza bulbo : 9 m

Diametro bulbo : 0.18 m

Lunghezza libera : 12 m

Spaziatura orizzontale : 1.4 m

Precarico : 500 kN

Angolo : 35 °

Sezione : 6 trefoli

Tipo di barre : Barre trefoli

Numero di barre : 6

Diametro : 0.01331 m

Area : 0.000834 m²

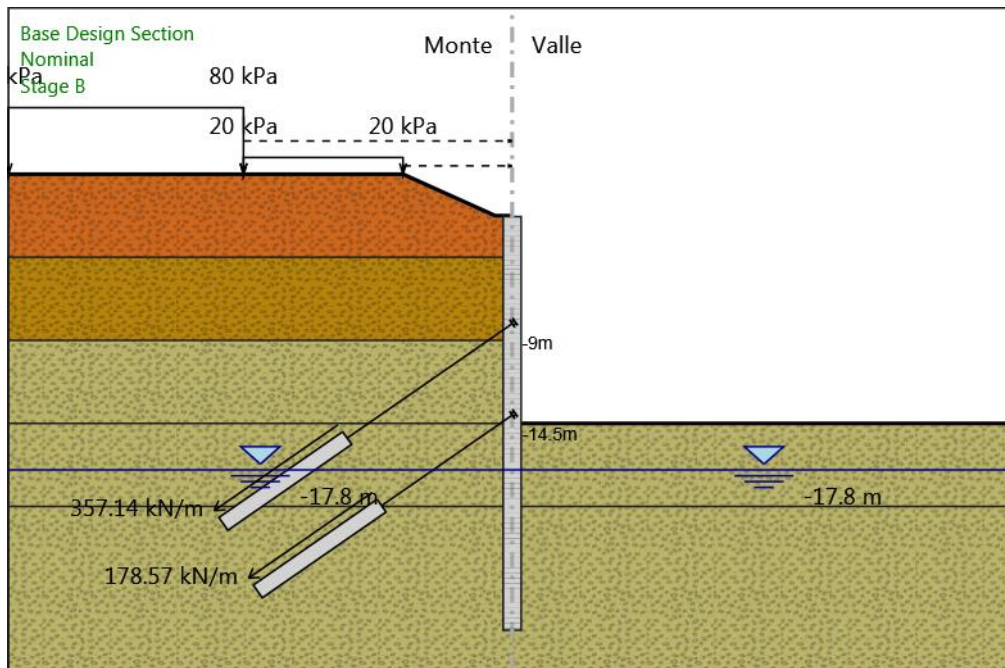
Trave di Ripartizione : Default Waler

Sezione : Waler Section 2 steel

HE 220B

Materiale : Fe510

Stage B



Stage B

Elementi strutturali

Paratia : WallElement

X : 0 m

Quota in alto : -2.5 m

Quota di fondo : -27.5 m

Sezione : Default Section

Tirante : Tieback

X : 0 m

Z : -9 m

Lunghezza bulbo : 9 m

Diametro bulbo : 0.18 m

Lunghezza libera : 12 m

Spaziatura orizzontale : 1.4 m

Precarico : 500 kN

Angolo : 35 °

Sezione : 6 trefoli

Tipo di barre : Barre trefoli

Numero di barre : 6

Diametro : 0.01331 m

Area : 0.000834 m²

Trave di Ripartizione : Default Waler

Sezione : Waler Section 2 steel

HE 220B

Materiale : Fe510

Tirante : Tieback_New

X : 0 m

Z : -14.5 m

Lunghezza bulbo : 9 m

Diametro bulbo : 0.18 m

Lunghezza libera : 9.5 m

Spaziatura orizzontale : 2.8 m

Precarico : 500 kN

Angolo : 35 °

Sezione : 5 trefoli

Tipo di barre : Barre trefoli

Numero di barre : 5

Diametro : 0.01331 m

Area : 0.000695 m²

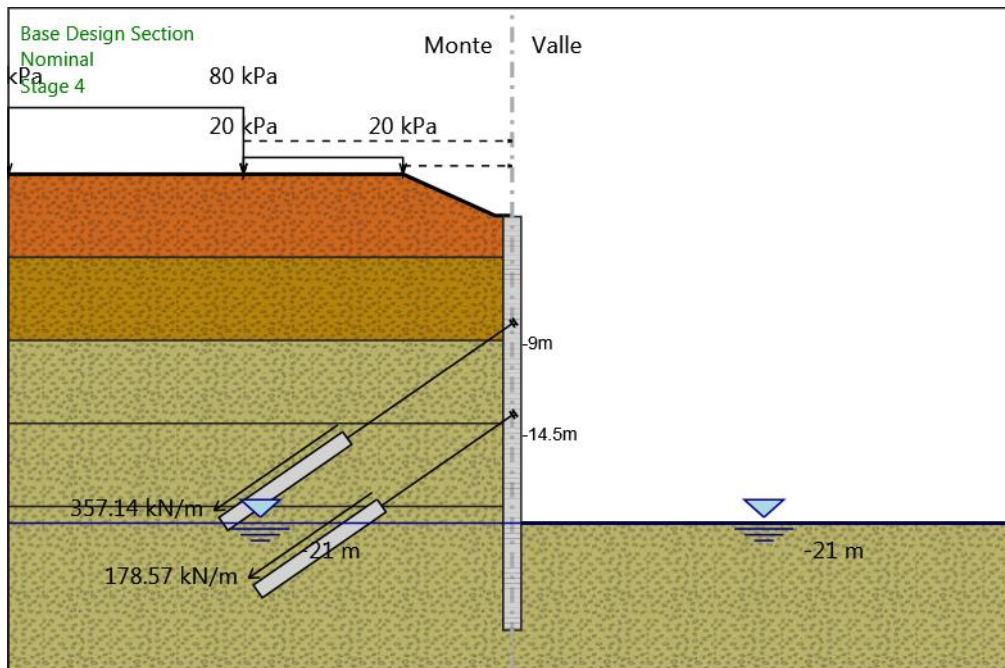
Trave di Ripartizione : Default Waler

Sezione : Waler Section 2 steel

HE 220B

Materiale : Fe510

Stage 4



Stage 4

Elementi strutturali

Paratia : WallElement

X : 0 m

Quota in alto : -2.5 m

Quota di fondo : -27.5 m

Sezione : Default Section

Tirante : Tieback

X : 0 m

Z : -9 m

Lunghezza bulbo : 9 m

Diametro bulbo : 0.18 m

Lunghezza libera : 12 m

Spaziatura orizzontale : 1.4 m

Precarico : 500 kN

Angolo : 35 °

Sezione : 6 trefoli

Tipo di barre : Barre trefoli

Numero di barre : 6

Diametro : 0.01331 m

Area : 0.000834 m²

Trave di Ripartizione : Default Waler

Sezione : Waler Section 2 steel

HE 220B

Materiale : Fe510

Tirante : Tieback_New

X : 0 m

Z : -14.5 m

Lunghezza bulbo : 9 m

Diametro bulbo : 0.18 m

Lunghezza libera : 9.5 m

Spaziatura orizzontale : 2.8 m

Precarico : 500 kN

Angolo : 35 °

Sezione : 5 trefoli

Tipo di barre : Barre trefoli

Numero di barre : 5

Diametro : 0.01331 m

Area : 0.000695 m²

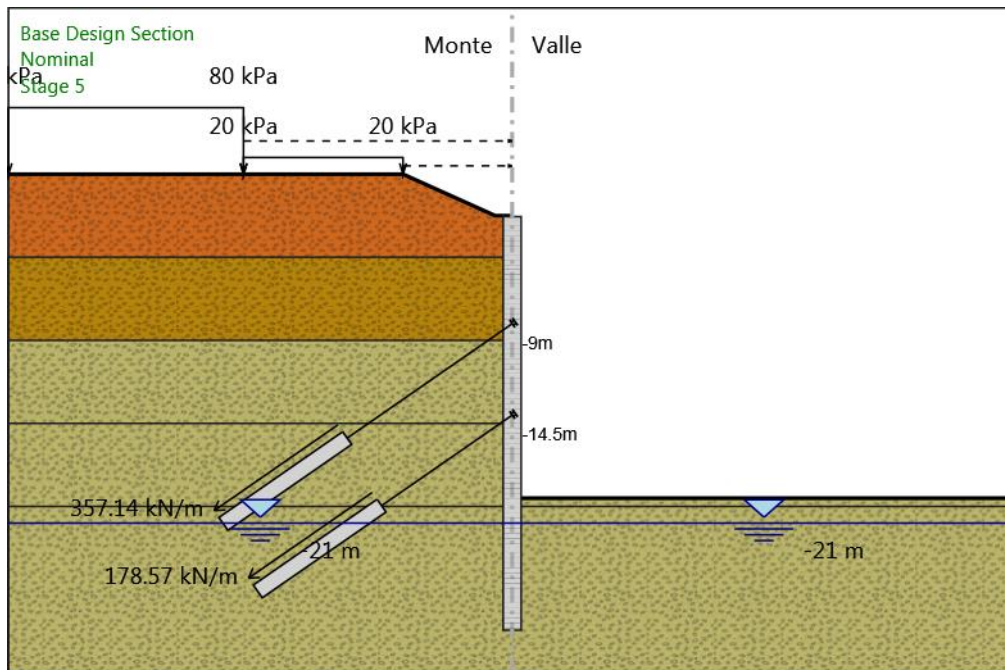
Trave di Ripartizione : Default Waler

Sezione : Waler Section 2 steel

HE 220B

Materiale : Fe510

Stage 5



Stage 5

Elementi strutturali

Paratia : WallElement

X : 0 m

Quota in alto : -2.5 m

Quota di fondo : -27.5 m

Sezione : Default Section

Tirante : Tieback

X : 0 m

Z : -9 m

Lunghezza bulbo : 9 m

Diametro bulbo : 0.18 m

Lunghezza libera : 12 m

Spaziatura orizzontale : 1.4 m

Precarico : 500 kN

Angolo : 35 °

Sezione : 6 trefoli

Tipo di barre : Barre trefoli

Numero di barre : 6

Diametro : 0.01331 m

Area : 0.000834 m²

Trave di Ripartizione : Default Waler

Sezione : Waler Section 2 steel

HE 220B

Materiale : Fe510

Tirante : Tieback_New

X : 0 m

Z : -14.5 m

Lunghezza bulbo : 9 m

Diametro bulbo : 0.18 m

Lunghezza libera : 9.5 m

Spaziatura orizzontale : 2.8 m

Precarico : 500 kN

Angolo : 35 °

Sezione : 5 trefoli

Tipo di barre : Barre trefoli

Numero di barre : 5

Diametro : 0.01331 m

Area : 0.000695 m²

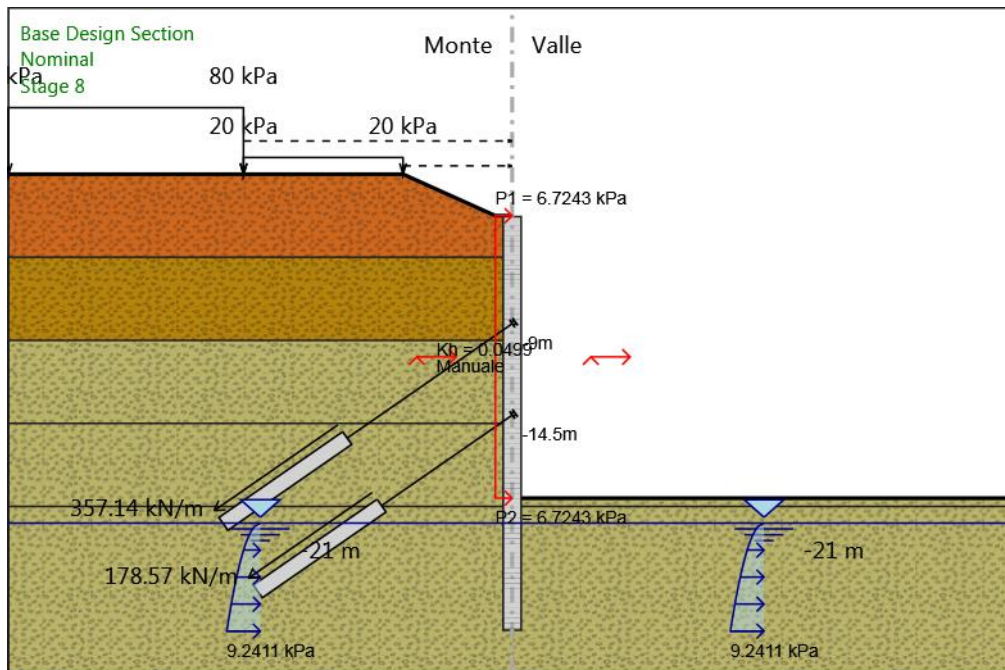
Trave di Ripartizione : Default Waler

Sezione : Waler Section 2 steel

HE 220B

Materiale : Fe510

Stage 8



Stage 8

Elementi strutturali

Paratia : WallElement

X : 0 m

Quota in alto : -2.5 m

Quota di fondo : -27.5 m

Sezione : Default Section

Tirante : Tieback

X : 0 m

Z : -9 m

Lunghezza bulbo : 9 m

Diametro bulbo : 0.18 m

Lunghezza libera : 12 m

Spaziatura orizzontale : 1.4 m

Precarico : 500 kN

Angolo : 35 °

Sezione : 6 trefoli

Tipo di barre : Barre trefoli

Numero di barre : 6

Diametro : 0.01331 m

Area : 0.000834 m²

Trave di Ripartizione : Default Waler

Sezione : Waler Section 2 steel

HE 220B

Materiale : Fe510

Tirante : Tieback_New

X : 0 m

Z : -14.5 m

Lunghezza bulbo : 9 m

Diametro bulbo : 0.18 m

Lunghezza libera : 9.5 m

Spaziatura orizzontale : 2.8 m

Precarico : 500 kN

Angolo : 35 °

Sezione : 5 trefoli

Tipo di barre : Barre trefoli

Numero di barre : 5

Diametro : 0.01331 m

Area : 0.000695 m²

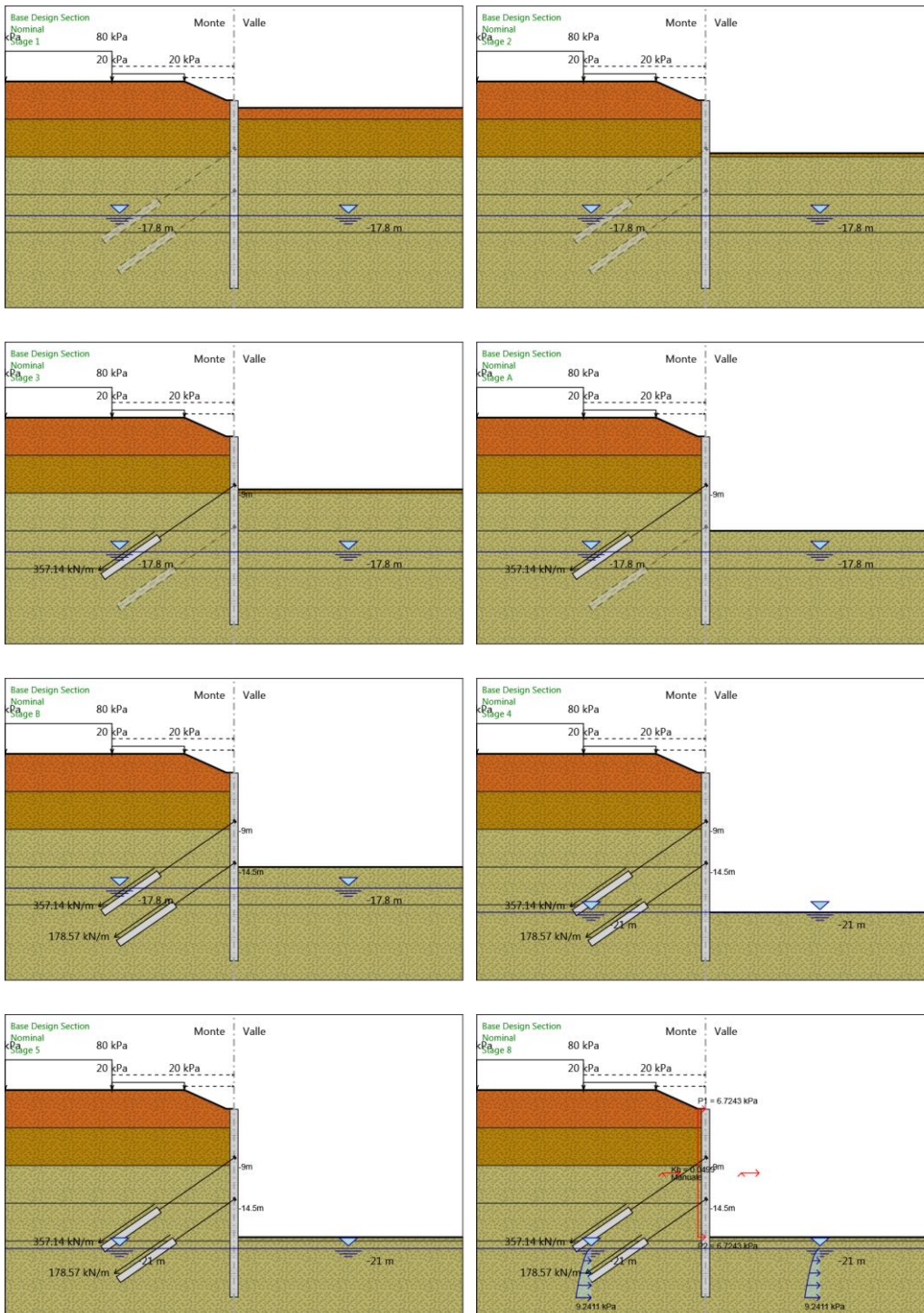
Trave di Ripartizione : Default Waler

Sezione : Waler Section 2 steel

HE 220B

Materiale : Fe510

Tabella Configurazione Stage (Nominal)



Descrizione Coefficienti Design Assumption

Coefficienti A

Nome	Carichi Per- manenti Sfa- vorevoli (F_dead_load _unfavour)	Carichi Permanenti Favorevoli (F_dead_loa d_favour)	Carichi Va- riabili Sfa- vorevoli (F_live_load _unfavour)	Carichi Variabili Favorevoli (F_live_loa d_favour)	Carico Sismico (F_seis m_load)	Pres- sioni Monte (F_Wa terDR)	Pres- sioni Valle (F_Wat erRes)	Carichi Perma- nenti Destabi- lizzanti (F_UPL_ GDStab)	Carichi Perma- nenti Stabiliz- zanti (F_UPL_ GDStab)	Carichi Variabili Destabi- lizzanti (F_UPL_ QDStab)	Carichi Perma- nenti Destabi- lizzanti (F_HYD_ GDStab)	Carichi Perma- nenti Stabiliz- zanti (F_HYD_ GDStab)	Carichi Variabili Destabi- lizzanti (F_HYD_ QDStab)
Simbolo	γ_G	γ_G	γ_Q	γ_Q	γ_{QE}	γ_G	γ_G	γ_{Gdst}	γ_{Gstb}	γ_{Qdst}	γ_{Gdst}	γ_{Gstb}	γ_{Qdst}
Nominal	1	1	1	1	1	1	1	1	1	1	1	1	1
SLE (Rara/ Frequente/ Quasi Perma- nente)	1	1	1	1	0	1	1	1	1	1	1	1	1
A1+M1+R1 (R3 per ti- ranti)	1.3	1	1.5	1	0	1.3	1	1	1	1	1.3	0.9	1
A2+M2+R1	1	1	1.3	1	0	1	1	1	1	1	1.3	0.9	1
SISMICA STR	1	1	1	1	1	1	1	1	1	1	1	1	1
SISMICA GEO	1	1	1	1	1	1	1	1	1	1	1.3	0.9	1

Coefficienti M

Nome	Parziale su tan(ϕ') (F_Fr)	Parziale su c' (F_eff_cohe)	Parziale su Su (F_Su)	Parziale su qu (F_qu)	Parziale su peso specifico (F_gamma)
Simbolo	γ_ϕ	γ_c	γ_{cu}	γ_{qu}	γ_γ
Nominal	1	1	1	1	1
SLE (Rara/Frequente/Quasi Perma- nente)	1	1	1	1	1
A1+M1+R1 (R3 per tiranti)	1	1	1	1	1
A2+M2+R1	1.25	1.25	1.4	1	1
SISMICA STR	1	1	1	1	1
SISMICA GEO	1.25	1.25	1.4	1	1

Coefficienti R

Nome	Parziale resistenza terreno (es. Kp) (F_Soil_Res_walls)	Parziale resistenza Tiranti permanenti (F_Anch_P)	Parziale resistenza Tiranti temporanei (F_Anch_T)	Parziale elementi strutturali (F_wall)
Simbolo	γ_{Re}	γ_{ap}	γ_{at}	
Nominal	1	1	1	1
SLE (Rara/Frequente/Quasi Permanente)	1	1	1	1
A1+M1+R1 (R3 per tiranti)	1	1.2	1.1	1
A2+M2+R1	1	1.2	1.1	1
SISMICA STR	1	1.2	1.1	1
SISMICA GEO	1	1.2	1.1	1

Risultati SLE (Rara/Frequente/Quasi Permanente)

Tabella Spostamento SLE (Rara/Frequente/Quasi Permanente) - LEFT Stage: Stage 1

Design Assumption: SLE (Rara/Frequente/Quasi Permanente) Tipo Risultato: Spostamento			Muro: LEFT
Stage	Z (m)	Spostamento (mm)	
Stage 1	-2.5	0.05	
Stage 1	-2.7	0.05	
Stage 1	-2.9	0.05	
Stage 1	-3.1	0.05	
Stage 1	-3.3	0.04	
Stage 1	-3.5	0.04	
Stage 1	-3.7	0.04	
Stage 1	-3.9	0.04	
Stage 1	-4.1	0.04	
Stage 1	-4.3	0.03	
Stage 1	-4.5	0.03	
Stage 1	-4.7	0.03	
Stage 1	-4.9	0.03	
Stage 1	-5.1	0.03	
Stage 1	-5.3	0.02	
Stage 1	-5.5	0.02	
Stage 1	-5.7	0.02	
Stage 1	-5.9	0.02	
Stage 1	-6.1	0.02	
Stage 1	-6.3	0.02	
Stage 1	-6.5	0.02	
Stage 1	-6.7	0.02	
Stage 1	-6.9	0.02	
Stage 1	-7.1	0.02	
Stage 1	-7.3	0.02	
Stage 1	-7.5	0.02	
Stage 1	-7.7	0.02	
Stage 1	-7.9	0.02	
Stage 1	-8.1	0.02	
Stage 1	-8.3	0.02	
Stage 1	-8.5	0.02	
Stage 1	-8.7	0.01	
Stage 1	-8.9	0.01	
Stage 1	-9	0.01	
Stage 1	-9.2	0.01	
Stage 1	-9.4	0.01	
Stage 1	-9.6	0.01	
Stage 1	-9.8	0.01	
Stage 1	-10	0.01	
Stage 1	-10.2	0.01	
Stage 1	-10.4	0.01	
Stage 1	-10.6	0.01	
Stage 1	-10.8	0.01	
Stage 1	-11	0.01	
Stage 1	-11.2	0.01	
Stage 1	-11.4	0.01	
Stage 1	-11.6	0.01	
Stage 1	-11.8	0.01	
Stage 1	-12	0.01	
Stage 1	-12.2	0.01	
Stage 1	-12.4	0.01	
Stage 1	-12.6	0.01	
Stage 1	-12.8	0.01	
Stage 1	-13	0.01	
Stage 1	-13.2	0.01	
Stage 1	-13.4	0.01	
Stage 1	-13.6	0.01	
Stage 1	-13.8	0.01	
Stage 1	-14	0.01	
Stage 1	-14.2	0.01	
Stage 1	-14.4	0.01	
Stage 1	-14.5	0.01	
Stage 1	-14.7	0.01	
Stage 1	-14.9	0.01	

Design Assumption: SLE (Rara/Frequente/Quasi Permanente) Tipo Risultato: Spostamento		Muro: LEFT
Stage	Z (m)	Spostamento (mm)
Stage 1	-15.1	0.01
Stage 1	-15.3	0.01
Stage 1	-15.5	0.01
Stage 1	-15.7	0.01
Stage 1	-15.9	0.01
Stage 1	-16.1	0.01
Stage 1	-16.3	0.01
Stage 1	-16.5	0.01
Stage 1	-16.7	0.01
Stage 1	-16.9	0.01
Stage 1	-17.1	0.01
Stage 1	-17.3	0.01
Stage 1	-17.5	0.01
Stage 1	-17.7	0.01
Stage 1	-17.9	0.01
Stage 1	-18.1	0.01
Stage 1	-18.3	0.01
Stage 1	-18.5	0.01
Stage 1	-18.7	0.01
Stage 1	-18.9	0.01
Stage 1	-19.1	0.01
Stage 1	-19.3	0.01
Stage 1	-19.5	0.01
Stage 1	-19.7	0.01
Stage 1	-19.9	0.01
Stage 1	-20.1	0.01
Stage 1	-20.3	0.01
Stage 1	-20.5	0.01
Stage 1	-20.7	0.01
Stage 1	-20.9	0.01
Stage 1	-21.1	0.01
Stage 1	-21.3	0.01
Stage 1	-21.5	0.01
Stage 1	-21.7	0.01
Stage 1	-21.9	0.01
Stage 1	-22.1	0.01
Stage 1	-22.3	0.01
Stage 1	-22.5	0.01
Stage 1	-22.7	0.01
Stage 1	-22.9	0.01
Stage 1	-23.1	0.01
Stage 1	-23.3	0.01
Stage 1	-23.5	0.01
Stage 1	-23.7	0.01
Stage 1	-23.9	0.01
Stage 1	-24.1	0.01
Stage 1	-24.3	0.01
Stage 1	-24.5	0.01
Stage 1	-24.7	0.01
Stage 1	-24.9	0.01
Stage 1	-25.1	0.01
Stage 1	-25.3	0.01
Stage 1	-25.5	0.01
Stage 1	-25.7	0.01
Stage 1	-25.9	0.01
Stage 1	-26.1	0.01
Stage 1	-26.3	0.01
Stage 1	-26.5	0.01
Stage 1	-26.7	0.01
Stage 1	-26.9	0.01
Stage 1	-27.1	0.01
Stage 1	-27.3	0.01
Stage 1	-27.5	0.01

Tabella Risultati Paratia SLE (Rara/Frequente/Quasi Permanente) - Left Wall - Stage: Stage 1

Design Assumption: SLE (Rara/Frequente/Quasi Permanente) Risultati Paratia		Muro: LEFT	
Stage	Z (m)	Momento (kN*m/m)	Taglio (kN/m)
Stage 1	-2.5	0	0
Stage 1	-2.7	0	0
Stage 1	-2.9	-0.03	-0.15
Stage 1	-3.1	-0.11	-0.42
Stage 1	-3.3	-0.4	-1.44
Stage 1	-3.5	-1.09	-3.44
Stage 1	-3.7	-2.37	-6.38
Stage 1	-3.9	-3.46	-5.45
Stage 1	-4.1	-4.4	-4.7
Stage 1	-4.3	-5.22	-4.11
Stage 1	-4.5	-5.95	-3.68
Stage 1	-4.7	-6.64	-3.41
Stage 1	-4.9	-7.29	-3.28
Stage 1	-5.1	-7.95	-3.29
Stage 1	-5.3	-8.27	-1.58
Stage 1	-5.5	-8.3	-0.17
Stage 1	-5.7	-8.1	0.98
Stage 1	-5.9	-7.73	1.89
Stage 1	-6.1	-7.21	2.59
Stage 1	-6.3	-6.59	3.11
Stage 1	-6.5	-5.89	3.47
Stage 1	-6.7	-5.15	3.7
Stage 1	-6.9	-4.39	3.81
Stage 1	-7.1	-3.62	3.83
Stage 1	-7.3	-2.87	3.76
Stage 1	-7.5	-2.15	3.61
Stage 1	-7.7	-1.47	3.41
Stage 1	-7.9	-0.84	3.15
Stage 1	-8.1	-0.27	2.84
Stage 1	-8.3	0.22	2.48
Stage 1	-8.5	0.64	2.08
Stage 1	-8.7	0.97	1.63
Stage 1	-8.9	1.19	1.14
Stage 1	-9	1.27	0.73
Stage 1	-9.2	1.33	0.31
Stage 1	-9.4	1.27	-0.32
Stage 1	-9.6	1.06	-1.01
Stage 1	-9.8	0.71	-1.76
Stage 1	-10	0.19	-2.58
Stage 1	-10.2	-0.5	-3.48
Stage 1	-10.4	-1.02	-2.59
Stage 1	-10.6	-1.39	-1.83
Stage 1	-10.8	-1.62	-1.18
Stage 1	-11	-1.75	-0.65
Stage 1	-11.2	-1.79	-0.22
Stage 1	-11.4	-1.77	0.13
Stage 1	-11.6	-1.69	0.39
Stage 1	-11.8	-1.57	0.59
Stage 1	-12	-1.43	0.72
Stage 1	-12.2	-1.27	0.81
Stage 1	-12.4	-1.1	0.85
Stage 1	-12.6	-0.93	0.86
Stage 1	-12.8	-0.76	0.84
Stage 1	-13	-0.6	0.8
Stage 1	-13.2	-0.45	0.74
Stage 1	-13.4	-0.31	0.67
Stage 1	-13.6	-0.2	0.59
Stage 1	-13.8	-0.1	0.5
Stage 1	-14	-0.01	0.41
Stage 1	-14.2	0.05	0.3
Stage 1	-14.4	0.09	0.19
Stage 1	-14.5	0.1	0.1
Stage 1	-14.7	0.1	0.01
Stage 1	-14.9	0.08	-0.12
Stage 1	-15.1	0.02	-0.25
Stage 1	-15.3	-0.02	-0.23
Stage 1	-15.5	-0.07	-0.22

Design Assumption: SLE (Rara/Frequente/Quasi Permanente) Risultati Paratia		Muro: LEFT	
Stage	Z (m)	Momento (kN*m/m)	Taglio (kN/m)
Stage 1	-15.7	-0.11	-0.22
Stage 1	-15.9	-0.15	-0.22
Stage 1	-16.1	-0.2	-0.24
Stage 1	-16.3	-0.25	-0.26
Stage 1	-16.5	-0.31	-0.29
Stage 1	-16.7	-0.37	-0.32
Stage 1	-16.9	-0.44	-0.35
Stage 1	-17.1	-0.52	-0.39
Stage 1	-17.3	-0.6	-0.42
Stage 1	-17.5	-0.69	-0.44
Stage 1	-17.7	-0.78	-0.46
Stage 1	-17.9	-0.88	-0.46
Stage 1	-18.1	-0.97	-0.45
Stage 1	-18.3	-1.05	-0.4
Stage 1	-18.5	-1.11	-0.33
Stage 1	-18.7	-1.16	-0.22
Stage 1	-18.9	-1.17	-0.07
Stage 1	-19.1	-1.14	0.14
Stage 1	-19.3	-1.06	0.4
Stage 1	-19.5	-0.92	0.74
Stage 1	-19.7	-0.69	1.14
Stage 1	-19.9	-0.36	1.63
Stage 1	-20.1	0.08	2.19
Stage 1	-20.3	0.42	1.71
Stage 1	-20.5	0.67	1.28
Stage 1	-20.7	0.86	0.91
Stage 1	-20.9	0.98	0.6
Stage 1	-21.1	1.04	0.34
Stage 1	-21.3	1.07	0.12
Stage 1	-21.5	1.06	-0.04
Stage 1	-21.7	1.02	-0.18
Stage 1	-21.9	0.97	-0.27
Stage 1	-22.1	0.9	-0.34
Stage 1	-22.3	0.82	-0.39
Stage 1	-22.5	0.74	-0.41
Stage 1	-22.7	0.66	-0.42
Stage 1	-22.9	0.57	-0.42
Stage 1	-23.1	0.49	-0.4
Stage 1	-23.3	0.42	-0.38
Stage 1	-23.5	0.35	-0.35
Stage 1	-23.7	0.28	-0.32
Stage 1	-23.9	0.23	-0.28
Stage 1	-24.1	0.18	-0.25
Stage 1	-24.3	0.13	-0.22
Stage 1	-24.5	0.1	-0.18
Stage 1	-24.7	0.07	-0.15
Stage 1	-24.9	0.04	-0.12
Stage 1	-25.1	0.02	-0.1
Stage 1	-25.3	0.01	-0.07
Stage 1	-25.5	0	-0.05
Stage 1	-25.7	-0.01	-0.03
Stage 1	-25.9	-0.01	-0.02
Stage 1	-26.1	-0.01	-0.01
Stage 1	-26.3	-0.01	0
Stage 1	-26.5	-0.01	0.01
Stage 1	-26.7	-0.01	0.01
Stage 1	-26.9	-0.01	0.02
Stage 1	-27.1	0	0.01
Stage 1	-27.3	0	0.01
Stage 1	-27.5	0	0

Tabella Spostamento SLE (Rara/Frequente/Quasi Permanente) - LEFT Stage: Stage 2

Design Assumption: SLE (Rara/Frequente/Quasi Permanente) Tipo Risultato: Spostamento	Muro: LEFT	
Stage	Z (m)	Spostamento (mm)
Stage 2	-2.5	5.02
Stage 2	-2.7	4.9
Stage 2	-2.9	4.77
Stage 2	-3.1	4.65
Stage 2	-3.3	4.52
Stage 2	-3.5	4.4
Stage 2	-3.7	4.27
Stage 2	-3.9	4.15
Stage 2	-4.1	4.02
Stage 2	-4.3	3.9
Stage 2	-4.5	3.77
Stage 2	-4.7	3.65
Stage 2	-4.9	3.52
Stage 2	-5.1	3.4
Stage 2	-5.3	3.27
Stage 2	-5.5	3.15
Stage 2	-5.7	3.02
Stage 2	-5.9	2.9
Stage 2	-6.1	2.77
Stage 2	-6.3	2.65
Stage 2	-6.5	2.53
Stage 2	-6.7	2.41
Stage 2	-6.9	2.29
Stage 2	-7.1	2.17
Stage 2	-7.3	2.05
Stage 2	-7.5	1.93
Stage 2	-7.7	1.81
Stage 2	-7.9	1.7
Stage 2	-8.1	1.59
Stage 2	-8.3	1.48
Stage 2	-8.5	1.37
Stage 2	-8.7	1.26
Stage 2	-8.9	1.16
Stage 2	-9	1.11
Stage 2	-9.2	1.01
Stage 2	-9.4	0.92
Stage 2	-9.6	0.83
Stage 2	-9.8	0.74
Stage 2	-10	0.66
Stage 2	-10.2	0.58
Stage 2	-10.4	0.51
Stage 2	-10.6	0.44
Stage 2	-10.8	0.38
Stage 2	-11	0.33
Stage 2	-11.2	0.28
Stage 2	-11.4	0.24
Stage 2	-11.6	0.2
Stage 2	-11.8	0.17
Stage 2	-12	0.14
Stage 2	-12.2	0.11
Stage 2	-12.4	0.09
Stage 2	-12.6	0.08
Stage 2	-12.8	0.06
Stage 2	-13	0.05
Stage 2	-13.2	0.05
Stage 2	-13.4	0.04
Stage 2	-13.6	0.04
Stage 2	-13.8	0.04
Stage 2	-14	0.04
Stage 2	-14.2	0.04
Stage 2	-14.4	0.04
Stage 2	-14.5	0.04
Stage 2	-14.7	0.04
Stage 2	-14.9	0.04
Stage 2	-15.1	0.05
Stage 2	-15.3	0.05
Stage 2	-15.5	0.05

Design Assumption: SLE (Rara/Frequente/Quasi Permanente) Tipo Risultato: Spostamento			Muro: LEFT
Stage	Z (m)	Spostamento (mm)	
Stage 2	-15.7	0.06	
Stage 2	-15.9	0.06	
Stage 2	-16.1	0.06	
Stage 2	-16.3	0.06	
Stage 2	-16.5	0.07	
Stage 2	-16.7	0.07	
Stage 2	-16.9	0.07	
Stage 2	-17.1	0.07	
Stage 2	-17.3	0.07	
Stage 2	-17.5	0.08	
Stage 2	-17.7	0.08	
Stage 2	-17.9	0.08	
Stage 2	-18.1	0.08	
Stage 2	-18.3	0.08	
Stage 2	-18.5	0.08	
Stage 2	-18.7	0.09	
Stage 2	-18.9	0.09	
Stage 2	-19.1	0.09	
Stage 2	-19.3	0.09	
Stage 2	-19.5	0.09	
Stage 2	-19.7	0.09	
Stage 2	-19.9	0.09	
Stage 2	-20.1	0.1	
Stage 2	-20.3	0.1	
Stage 2	-20.5	0.1	
Stage 2	-20.7	0.1	
Stage 2	-20.9	0.1	
Stage 2	-21.1	0.1	
Stage 2	-21.3	0.1	
Stage 2	-21.5	0.1	
Stage 2	-21.7	0.11	
Stage 2	-21.9	0.11	
Stage 2	-22.1	0.11	
Stage 2	-22.3	0.11	
Stage 2	-22.5	0.11	
Stage 2	-22.7	0.11	
Stage 2	-22.9	0.11	
Stage 2	-23.1	0.11	
Stage 2	-23.3	0.11	
Stage 2	-23.5	0.11	
Stage 2	-23.7	0.11	
Stage 2	-23.9	0.11	
Stage 2	-24.1	0.11	
Stage 2	-24.3	0.11	
Stage 2	-24.5	0.11	
Stage 2	-24.7	0.11	
Stage 2	-24.9	0.11	
Stage 2	-25.1	0.11	
Stage 2	-25.3	0.11	
Stage 2	-25.5	0.11	
Stage 2	-25.7	0.11	
Stage 2	-25.9	0.11	
Stage 2	-26.1	0.11	
Stage 2	-26.3	0.11	
Stage 2	-26.5	0.11	
Stage 2	-26.7	0.11	
Stage 2	-26.9	0.11	
Stage 2	-27.1	0.11	
Stage 2	-27.3	0.11	
Stage 2	-27.5	0.11	

Tabella Risultati Paratia SLE (Rara/Frequente/Quasi Permanente) - Left Wall - Stage: Stage 2

Design Assumption: SLE (Rara/Frequente/Quasi Permanente) Risultati Paratia		Muro: LEFT	
Stage	Z (m)	Momento (kN*m/m)	Taglio (kN/m)
Stage 2	-2.5	0	0
Stage 2	-2.7	0	0
Stage 2	-2.7	0	0
Stage 2	-2.9	-0.03	-0.15
Stage 2	-3.1	-0.11	-0.42
Stage 2	-3.3	-0.28	-0.84
Stage 2	-3.5	-0.56	-1.4
Stage 2	-3.7	-0.98	-2.1
Stage 2	-3.9	-1.57	-2.95
Stage 2	-4.1	-2.36	-3.94
Stage 2	-4.3	-3.38	-5.09
Stage 2	-4.5	-4.66	-6.4
Stage 2	-4.7	-6.23	-7.86
Stage 2	-4.9	-8.13	-9.48
Stage 2	-5.1	-10.38	-11.25
Stage 2	-5.3	-13.07	-13.45
Stage 2	-5.5	-16.23	-15.84
Stage 2	-5.7	-19.91	-18.4
Stage 2	-5.9	-24.14	-21.13
Stage 2	-6.1	-28.95	-24.04
Stage 2	-6.3	-34.38	-27.13
Stage 2	-6.5	-40.45	-30.39
Stage 2	-6.7	-47.22	-33.84
Stage 2	-6.9	-54.71	-37.45
Stage 2	-7.1	-62.96	-41.25
Stage 2	-7.3	-72	-45.21
Stage 2	-7.5	-81.88	-49.36
Stage 2	-7.7	-92.61	-53.67
Stage 2	-7.9	-104.24	-58.17
Stage 2	-8.1	-116.81	-62.83
Stage 2	-8.3	-130.35	-67.68
Stage 2	-8.5	-144.88	-72.69
Stage 2	-8.7	-160.46	-77.89
Stage 2	-8.9	-177.11	-83.26
Stage 2	-9	-185.86	-87.43
Stage 2	-9.2	-204.19	-91.66
Stage 2	-9.4	-223.68	-97.47
Stage 2	-9.6	-244.37	-103.46
Stage 2	-9.8	-265.47	-105.51
Stage 2	-10	-285.37	-99.49
Stage 2	-10.2	-302.45	-85.41
Stage 2	-10.4	-315.69	-66.2
Stage 2	-10.6	-323.83	-40.68
Stage 2	-10.8	-327	-15.84
Stage 2	-11	-325.32	8.41
Stage 2	-11.2	-318.88	32.16
Stage 2	-11.4	-307.88	55.01
Stage 2	-11.6	-292.65	76.17
Stage 2	-11.8	-274.31	91.69
Stage 2	-12	-253.84	102.34
Stage 2	-12.2	-232.08	108.83
Stage 2	-12.4	-209.71	111.83
Stage 2	-12.6	-187.32	111.94
Stage 2	-12.8	-165.38	109.7
Stage 2	-13	-144.26	105.63
Stage 2	-13.2	-124.23	100.13
Stage 2	-13.4	-105.51	93.61
Stage 2	-13.6	-88.24	86.37
Stage 2	-13.8	-72.5	78.69
Stage 2	-14	-58.33	70.81
Stage 2	-14.2	-45.75	62.92
Stage 2	-14.4	-34.72	55.16
Stage 2	-14.5	-29.77	49.53
Stage 2	-14.7	-20.96	44.02
Stage 2	-14.9	-13.55	37.05
Stage 2	-15.1	-7.45	30.51
Stage 2	-15.3	-2.47	24.91

Design Assumption: SLE (Rara/Frequente/Quasi Permanente) Risultati Paratia		Muro: LEFT	
Stage	Z (m)	Momento (kN*m/m)	Taglio (kN/m)
Stage 2	-15.5	1.49	19.81
Stage 2	-15.7	4.54	15.23
Stage 2	-15.9	6.77	11.15
Stage 2	-16.1	8.29	7.57
Stage 2	-16.3	9.18	4.46
Stage 2	-16.5	9.54	1.8
Stage 2	-16.7	9.45	-0.44
Stage 2	-16.9	8.99	-2.28
Stage 2	-17.1	8.24	-3.75
Stage 2	-17.3	7.27	-4.88
Stage 2	-17.5	6.13	-5.68
Stage 2	-17.7	4.9	-6.17
Stage 2	-17.9	3.62	-6.38
Stage 2	-18.1	2.36	-6.32
Stage 2	-18.3	1.16	-6
Stage 2	-18.5	0.07	-5.42
Stage 2	-18.7	-0.84	-4.59
Stage 2	-18.9	-1.54	-3.5
Stage 2	-19.1	-1.97	-2.14
Stage 2	-19.3	-2.07	-0.51
Stage 2	-19.5	-1.8	1.4
Stage 2	-19.7	-1.08	3.6
Stage 2	-19.9	0.14	6.1
Stage 2	-20.1	1.92	8.9
Stage 2	-20.3	3.33	7.02
Stage 2	-20.5	4.4	5.36
Stage 2	-20.7	5.18	3.91
Stage 2	-20.9	5.71	2.66
Stage 2	-21.1	6.03	1.59
Stage 2	-21.3	6.17	0.69
Stage 2	-21.5	6.16	-0.05
Stage 2	-21.7	6.03	-0.64
Stage 2	-21.9	5.81	-1.11
Stage 2	-22.1	5.51	-1.47
Stage 2	-22.3	5.17	-1.73
Stage 2	-22.5	4.78	-1.91
Stage 2	-22.7	4.38	-2.01
Stage 2	-22.9	3.97	-2.06
Stage 2	-23.1	3.56	-2.05
Stage 2	-23.3	3.16	-2
Stage 2	-23.5	2.78	-1.92
Stage 2	-23.7	2.41	-1.82
Stage 2	-23.9	2.07	-1.7
Stage 2	-24.1	1.76	-1.56
Stage 2	-24.3	1.47	-1.42
Stage 2	-24.5	1.22	-1.28
Stage 2	-24.7	0.99	-1.14
Stage 2	-24.9	0.79	-0.99
Stage 2	-25.1	0.62	-0.86
Stage 2	-25.3	0.47	-0.73
Stage 2	-25.5	0.35	-0.61
Stage 2	-25.7	0.25	-0.5
Stage 2	-25.9	0.17	-0.39
Stage 2	-26.1	0.11	-0.3
Stage 2	-26.3	0.07	-0.23
Stage 2	-26.5	0.04	-0.16
Stage 2	-26.7	0.02	-0.1
Stage 2	-26.9	0.01	-0.06
Stage 2	-27.1	0	-0.03
Stage 2	-27.3	0	-0.01
Stage 2	-27.5	0	0

Tabella Spostamento SLE (Rara/Frequente/Quasi Permanente) - LEFT Stage: Stage 3

Design Assumption: SLE (Rara/Frequente/Quasi Permanente) Tipo Risultato: Spostamento	Muro: LEFT	
Stage	Z (m)	Spostamento (mm)
Stage 3	-2.5	5.18
Stage 3	-2.7	5.04
Stage 3	-2.9	4.9
Stage 3	-3.1	4.76
Stage 3	-3.3	4.63
Stage 3	-3.5	4.49
Stage 3	-3.7	4.35
Stage 3	-3.9	4.21
Stage 3	-4.1	4.08
Stage 3	-4.3	3.94
Stage 3	-4.5	3.8
Stage 3	-4.7	3.66
Stage 3	-4.9	3.53
Stage 3	-5.1	3.39
Stage 3	-5.3	3.25
Stage 3	-5.5	3.11
Stage 3	-5.7	2.98
Stage 3	-5.9	2.84
Stage 3	-6.1	2.71
Stage 3	-6.3	2.57
Stage 3	-6.5	2.44
Stage 3	-6.7	2.3
Stage 3	-6.9	2.17
Stage 3	-7.1	2.04
Stage 3	-7.3	1.91
Stage 3	-7.5	1.78
Stage 3	-7.7	1.66
Stage 3	-7.9	1.53
Stage 3	-8.1	1.41
Stage 3	-8.3	1.3
Stage 3	-8.5	1.18
Stage 3	-8.7	1.08
Stage 3	-8.9	0.97
Stage 3	-9	0.92
Stage 3	-9.2	0.83
Stage 3	-9.4	0.74
Stage 3	-9.6	0.66
Stage 3	-9.8	0.59
Stage 3	-10	0.52
Stage 3	-10.2	0.45
Stage 3	-10.4	0.39
Stage 3	-10.6	0.34
Stage 3	-10.8	0.29
Stage 3	-11	0.25
Stage 3	-11.2	0.21
Stage 3	-11.4	0.18
Stage 3	-11.6	0.15
Stage 3	-11.8	0.13
Stage 3	-12	0.11
Stage 3	-12.2	0.09
Stage 3	-12.4	0.08
Stage 3	-12.6	0.06
Stage 3	-12.8	0.06
Stage 3	-13	0.05
Stage 3	-13.2	0.05
Stage 3	-13.4	0.04
Stage 3	-13.6	0.04
Stage 3	-13.8	0.04
Stage 3	-14	0.04
Stage 3	-14.2	0.04
Stage 3	-14.4	0.05
Stage 3	-14.5	0.05
Stage 3	-14.7	0.05
Stage 3	-14.9	0.05
Stage 3	-15.1	0.05
Stage 3	-15.3	0.06
Stage 3	-15.5	0.06

Design Assumption: SLE (Rara/Frequente/Quasi Permanente) Tipo Risultato: Spostamento			Muro: LEFT
Stage	Z (m)	Spostamento (mm)	
Stage 3	-15.7	0.06	
Stage 3	-15.9	0.06	
Stage 3	-16.1	0.07	
Stage 3	-16.3	0.07	
Stage 3	-16.5	0.07	
Stage 3	-16.7	0.07	
Stage 3	-16.9	0.07	
Stage 3	-17.1	0.08	
Stage 3	-17.3	0.08	
Stage 3	-17.5	0.08	
Stage 3	-17.7	0.08	
Stage 3	-17.9	0.08	
Stage 3	-18.1	0.08	
Stage 3	-18.3	0.08	
Stage 3	-18.5	0.08	
Stage 3	-18.7	0.09	
Stage 3	-18.9	0.09	
Stage 3	-19.1	0.09	
Stage 3	-19.3	0.09	
Stage 3	-19.5	0.09	
Stage 3	-19.7	0.09	
Stage 3	-19.9	0.09	
Stage 3	-20.1	0.1	
Stage 3	-20.3	0.1	
Stage 3	-20.5	0.1	
Stage 3	-20.7	0.1	
Stage 3	-20.9	0.1	
Stage 3	-21.1	0.1	
Stage 3	-21.3	0.1	
Stage 3	-21.5	0.1	
Stage 3	-21.7	0.11	
Stage 3	-21.9	0.11	
Stage 3	-22.1	0.11	
Stage 3	-22.3	0.11	
Stage 3	-22.5	0.11	
Stage 3	-22.7	0.11	
Stage 3	-22.9	0.11	
Stage 3	-23.1	0.11	
Stage 3	-23.3	0.11	
Stage 3	-23.5	0.11	
Stage 3	-23.7	0.11	
Stage 3	-23.9	0.11	
Stage 3	-24.1	0.11	
Stage 3	-24.3	0.11	
Stage 3	-24.5	0.11	
Stage 3	-24.7	0.11	
Stage 3	-24.9	0.11	
Stage 3	-25.1	0.11	
Stage 3	-25.3	0.11	
Stage 3	-25.5	0.11	
Stage 3	-25.7	0.11	
Stage 3	-25.9	0.11	
Stage 3	-26.1	0.11	
Stage 3	-26.3	0.11	
Stage 3	-26.5	0.11	
Stage 3	-26.7	0.11	
Stage 3	-26.9	0.11	
Stage 3	-27.1	0.11	
Stage 3	-27.3	0.11	
Stage 3	-27.5	0.11	

Tabella Risultati Paratia SLE (Rara/Frequente/Quasi Permanente) - Left Wall - Stage: Stage 3

Design Assumption: SLE (Rara/Frequente/Quasi Permanente) Risultati Paratia		Muro: LEFT	
Stage	Z (m)	Momento (kN*m/m)	Taglio (kN/m)
Stage 3	-2.5	0	0
Stage 3	-2.7	0	0
Stage 3	-2.9	-0.03	-0.15
Stage 3	-3.1	-0.11	-0.42
Stage 3	-3.3	-0.28	-0.84
Stage 3	-3.5	-0.56	-1.4
Stage 3	-3.7	-0.98	-2.1
Stage 3	-3.9	-1.57	-2.95
Stage 3	-4.1	-2.36	-3.94
Stage 3	-4.3	-3.38	-5.09
Stage 3	-4.5	-4.66	-6.4
Stage 3	-4.7	-6.23	-7.86
Stage 3	-4.9	-8.13	-9.48
Stage 3	-5.1	-10.38	-11.25
Stage 3	-5.3	-13.15	-13.85
Stage 3	-5.5	-16.61	-17.31
Stage 3	-5.7	-20.93	-21.61
Stage 3	-5.9	-26.29	-26.78
Stage 3	-6.1	-32.84	-32.79
Stage 3	-6.3	-40.78	-39.66
Stage 3	-6.5	-50.25	-47.37
Stage 3	-6.7	-61.44	-55.93
Stage 3	-6.9	-74.5	-65.31
Stage 3	-7.1	-89.6	-75.52
Stage 3	-7.3	-106.91	-86.51
Stage 3	-7.5	-126.56	-98.28
Stage 3	-7.7	-148.72	-110.79
Stage 3	-7.9	-173.52	-123.99
Stage 3	-8.1	-201.08	-137.83
Stage 3	-8.3	-231.53	-152.24
Stage 3	-8.5	-264.96	-167.15
Stage 3	-8.7	-301.45	-182.46
Stage 3	-8.9	-341.06	-198.05
Stage 3	-9	-362.05	-209.86
Stage 3	-9.2	-347.88	70.85
Stage 3	-9.4	-336.84	55.18
Stage 3	-9.6	-328.89	39.75
Stage 3	-9.8	-323.9	24.95
Stage 3	-10	-320.09	19.06
Stage 3	-10.2	-315.66	22.15
Stage 3	-10.4	-311.27	21.97
Stage 3	-10.6	-305.26	30.01
Stage 3	-10.8	-297.4	39.3
Stage 3	-11	-287.43	49.85
Stage 3	-11.2	-275.09	61.7
Stage 3	-11.4	-260.23	74.32
Stage 3	-11.6	-242.86	86.84
Stage 3	-11.8	-223.83	95.16
Stage 3	-12	-203.84	99.93
Stage 3	-12.2	-183.5	101.73
Stage 3	-12.4	-163.28	101.08
Stage 3	-12.6	-143.59	98.47
Stage 3	-12.8	-124.72	94.32
Stage 3	-13	-106.92	89.02
Stage 3	-13.2	-90.34	82.87
Stage 3	-13.4	-75.11	76.17
Stage 3	-13.6	-61.28	69.15
Stage 3	-13.8	-48.88	62.01
Stage 3	-14	-37.9	54.89
Stage 3	-14.2	-28.31	47.94
Stage 3	-14.4	-20.06	41.25
Stage 3	-14.5	-16.42	36.47
Stage 3	-14.7	-10.05	31.84
Stage 3	-14.9	-4.84	26.06
Stage 3	-15.1	-0.7	20.7
Stage 3	-15.3	2.56	16.3
Stage 3	-15.5	5.03	12.35

Design Assumption: SLE (Rara/Frequente/Quasi Permanente) Risultati Paratia		Muro: LEFT	
Stage	Z (m)	Momento (kN*m/m)	Taglio (kN/m)
Stage 3	-15.7	6.8	8.85
Stage 3	-15.9	7.96	5.78
Stage 3	-16.1	8.58	3.12
Stage 3	-16.3	8.76	0.85
Stage 3	-16.5	8.54	-1.06
Stage 3	-16.7	8.02	-2.63
Stage 3	-16.9	7.24	-3.89
Stage 3	-17.1	6.27	-4.86
Stage 3	-17.3	5.16	-5.56
Stage 3	-17.5	3.96	-6
Stage 3	-17.7	2.72	-6.2
Stage 3	-17.9	1.48	-6.17
Stage 3	-18.1	0.3	-5.92
Stage 3	-18.3	-0.79	-5.46
Stage 3	-18.5	-1.75	-4.78
Stage 3	-18.7	-2.53	-3.88
Stage 3	-18.9	-3.08	-2.75
Stage 3	-19.1	-3.35	-1.39
Stage 3	-19.3	-3.31	0.23
Stage 3	-19.5	-2.88	2.12
Stage 3	-19.7	-2.03	4.28
Stage 3	-19.9	-0.68	6.74
Stage 3	-20.1	1.22	9.48
Stage 3	-20.3	2.73	7.56
Stage 3	-20.5	3.9	5.86
Stage 3	-20.7	4.77	4.36
Stage 3	-20.9	5.39	3.06
Stage 3	-21.1	5.78	1.95
Stage 3	-21.3	5.98	1.01
Stage 3	-21.5	6.03	0.23
Stage 3	-21.7	5.94	-0.4
Stage 3	-21.9	5.76	-0.91
Stage 3	-22.1	5.5	-1.3
Stage 3	-22.3	5.18	-1.59
Stage 3	-22.5	4.82	-1.8
Stage 3	-22.7	4.44	-1.92
Stage 3	-22.9	4.04	-1.99
Stage 3	-23.1	3.64	-2
Stage 3	-23.3	3.25	-1.97
Stage 3	-23.5	2.86	-1.91
Stage 3	-23.7	2.5	-1.82
Stage 3	-23.9	2.16	-1.71
Stage 3	-24.1	1.84	-1.58
Stage 3	-24.3	1.55	-1.45
Stage 3	-24.5	1.29	-1.31
Stage 3	-24.7	1.06	-1.17
Stage 3	-24.9	0.85	-1.03
Stage 3	-25.1	0.68	-0.89
Stage 3	-25.3	0.52	-0.76
Stage 3	-25.5	0.4	-0.64
Stage 3	-25.7	0.29	-0.53
Stage 3	-25.9	0.2	-0.43
Stage 3	-26.1	0.14	-0.33
Stage 3	-26.3	0.09	-0.25
Stage 3	-26.5	0.05	-0.18
Stage 3	-26.7	0.03	-0.12
Stage 3	-26.9	0.01	-0.07
Stage 3	-27.1	0	-0.04
Stage 3	-27.3	0	-0.01
Stage 3	-27.5	0	0

Tabella Spostamento SLE (Rara/Frequente/Quasi Permanente) - LEFT Stage: Stage A

Design Assumption: SLE (Rara/Frequente/Quasi Permanente) Tipo Risultato: Spostamento	Muro: LEFT	
Stage	Z (m)	Spostamento (mm)
Stage A	-2.5	4.9
Stage A	-2.7	4.78
Stage A	-2.9	4.66
Stage A	-3.1	4.54
Stage A	-3.3	4.42
Stage A	-3.5	4.31
Stage A	-3.7	4.19
Stage A	-3.9	4.07
Stage A	-4.1	3.95
Stage A	-4.3	3.83
Stage A	-4.5	3.71
Stage A	-4.7	3.59
Stage A	-4.9	3.47
Stage A	-5.1	3.36
Stage A	-5.3	3.24
Stage A	-5.5	3.12
Stage A	-5.7	3.01
Stage A	-5.9	2.9
Stage A	-6.1	2.79
Stage A	-6.3	2.68
Stage A	-6.5	2.57
Stage A	-6.7	2.46
Stage A	-6.9	2.36
Stage A	-7.1	2.26
Stage A	-7.3	2.16
Stage A	-7.5	2.07
Stage A	-7.7	1.97
Stage A	-7.9	1.89
Stage A	-8.1	1.8
Stage A	-8.3	1.72
Stage A	-8.5	1.65
Stage A	-8.7	1.58
Stage A	-8.9	1.51
Stage A	-9	1.48
Stage A	-9.2	1.43
Stage A	-9.4	1.38
Stage A	-9.6	1.33
Stage A	-9.8	1.29
Stage A	-10	1.26
Stage A	-10.2	1.22
Stage A	-10.4	1.19
Stage A	-10.6	1.17
Stage A	-10.8	1.14
Stage A	-11	1.12
Stage A	-11.2	1.09
Stage A	-11.4	1.07
Stage A	-11.6	1.05
Stage A	-11.8	1.03
Stage A	-12	1.01
Stage A	-12.2	0.99
Stage A	-12.4	0.96
Stage A	-12.6	0.94
Stage A	-12.8	0.92
Stage A	-13	0.89
Stage A	-13.2	0.87
Stage A	-13.4	0.84
Stage A	-13.6	0.82
Stage A	-13.8	0.79
Stage A	-14	0.76
Stage A	-14.2	0.73
Stage A	-14.4	0.7
Stage A	-14.5	0.68
Stage A	-14.7	0.65
Stage A	-14.9	0.62
Stage A	-15.1	0.59
Stage A	-15.3	0.56
Stage A	-15.5	0.53

Design Assumption: SLE (Rara/Frequente/Quasi Permanente) Tipo Risultato: Spostamento		Muro: LEFT
Stage	Z (m)	Spostamento (mm)
Stage A	-15.7	0.5
Stage A	-15.9	0.47
Stage A	-16.1	0.44
Stage A	-16.3	0.41
Stage A	-16.5	0.39
Stage A	-16.7	0.37
Stage A	-16.9	0.35
Stage A	-17.1	0.33
Stage A	-17.3	0.31
Stage A	-17.5	0.3
Stage A	-17.7	0.29
Stage A	-17.9	0.28
Stage A	-18.1	0.27
Stage A	-18.3	0.26
Stage A	-18.5	0.25
Stage A	-18.7	0.25
Stage A	-18.9	0.25
Stage A	-19.1	0.24
Stage A	-19.3	0.24
Stage A	-19.5	0.24
Stage A	-19.7	0.25
Stage A	-19.9	0.25
Stage A	-20.1	0.25
Stage A	-20.3	0.25
Stage A	-20.5	0.26
Stage A	-20.7	0.26
Stage A	-20.9	0.26
Stage A	-21.1	0.27
Stage A	-21.3	0.27
Stage A	-21.5	0.27
Stage A	-21.7	0.28
Stage A	-21.9	0.28
Stage A	-22.1	0.28
Stage A	-22.3	0.29
Stage A	-22.5	0.29
Stage A	-22.7	0.29
Stage A	-22.9	0.29
Stage A	-23.1	0.3
Stage A	-23.3	0.3
Stage A	-23.5	0.3
Stage A	-23.7	0.3
Stage A	-23.9	0.3
Stage A	-24.1	0.3
Stage A	-24.3	0.3
Stage A	-24.5	0.3
Stage A	-24.7	0.3
Stage A	-24.9	0.3
Stage A	-25.1	0.3
Stage A	-25.3	0.3
Stage A	-25.5	0.3
Stage A	-25.7	0.3
Stage A	-25.9	0.3
Stage A	-26.1	0.3
Stage A	-26.3	0.3
Stage A	-26.5	0.3
Stage A	-26.7	0.3
Stage A	-26.9	0.3
Stage A	-27.1	0.3
Stage A	-27.3	0.3
Stage A	-27.5	0.3

Tabella Risultati Paratia SLE (Rara/Frequente/Quasi Permanente) - Left Wall - Stage: Stage A

Design Assumption: SLE (Rara/Frequente/Quasi Permanente) Risultati Paratia		Muro: LEFT	
Stage	Z (m)	Momento (kN*m/m)	Taglio (kN/m)
Stage A	-2.5	0	-0.3
Stage A	-2.7	-0.06	-0.3
Stage A	-2.9	-0.7	-3.2
Stage A	-3.1	-1.98	-6.39
Stage A	-3.3	-3.89	-9.56
Stage A	-3.5	-6.42	-12.65
Stage A	-3.7	-9.55	-15.66
Stage A	-3.9	-13.27	-18.59
Stage A	-4.1	-17.56	-21.44
Stage A	-4.3	-22.4	-24.21
Stage A	-4.5	-27.78	-26.9
Stage A	-4.7	-33.68	-29.51
Stage A	-4.9	-40.09	-32.03
Stage A	-5.1	-46.98	-34.47
Stage A	-5.3	-54.59	-38.05
Stage A	-5.5	-62.96	-41.84
Stage A	-5.7	-72.12	-45.81
Stage A	-5.9	-82.11	-49.95
Stage A	-6.1	-92.95	-54.21
Stage A	-6.3	-104.67	-58.58
Stage A	-6.5	-117.27	-63.01
Stage A	-6.7	-130.77	-67.47
Stage A	-6.9	-145.14	-71.9
Stage A	-7.1	-160.4	-76.26
Stage A	-7.3	-176.49	-80.48
Stage A	-7.5	-193.42	-84.63
Stage A	-7.7	-211.21	-88.95
Stage A	-7.9	-229.9	-93.44
Stage A	-8.1	-249.52	-98.1
Stage A	-8.3	-270.11	-102.95
Stage A	-8.5	-291.7	-107.96
Stage A	-8.7	-314.33	-113.16
Stage A	-8.9	-338.04	-118.54
Stage A	-9	-350.31	-122.7
Stage A	-9.2	-316.65	168.3
Stage A	-9.4	-284.15	162.48
Stage A	-9.6	-252.85	156.5
Stage A	-9.8	-222.79	150.33
Stage A	-10	-193.99	144
Stage A	-10.2	-166.49	137.49
Stage A	-10.4	-140.39	130.47
Stage A	-10.6	-115.74	123.27
Stage A	-10.8	-92.56	115.9
Stage A	-11	-70.89	108.35
Stage A	-11.2	-50.76	100.63
Stage A	-11.4	-32.22	92.73
Stage A	-11.6	-15.29	84.66
Stage A	-11.8	-0.01	76.41
Stage A	-11.8	-0.01	76.41
Stage A	-12	13.59	68
Stage A	-12.2	25.48	59.41
Stage A	-12.4	35.61	50.65
Stage A	-12.6	43.95	41.72
Stage A	-12.8	50.47	32.62
Stage A	-13	55.14	23.35
Stage A	-13.2	57.92	13.91
Stage A	-13.4	58.78	4.3
Stage A	-13.6	57.69	-5.48
Stage A	-13.8	54.6	-15.42
Stage A	-14	49.5	-25.53
Stage A	-14.2	42.33	-35.81
Stage A	-14.4	33.08	-46.26
Stage A	-14.5	27.66	-54.22
Stage A	-14.7	15.21	-62.25
Stage A	-14.9	0.59	-73.11
Stage A	-15.1	-16.24	-84.14
Stage A	-15.3	-34.51	-91.32

Design Assumption: SLE (Rara/Frequente/Quasi Permanente) Risultati Paratia		Muro: LEFT	
Stage	Z (m)	Momento (kN*m/m)	Taglio (kN/m)
Stage A	-15.5	-52.66	-90.77
Stage A	-15.7	-69.16	-82.47
Stage A	-15.9	-82.65	-67.46
Stage A	-16.1	-93.08	-52.15
Stage A	-16.3	-100.78	-38.51
Stage A	-16.5	-106.08	-26.51
Stage A	-16.7	-109.29	-16.06
Stage A	-16.9	-110.7	-7.05
Stage A	-17.1	-110.58	0.63
Stage A	-17.3	-109.15	7.12
Stage A	-17.5	-106.64	12.55
Stage A	-17.7	-103.23	17.06
Stage A	-17.9	-99.07	20.8
Stage A	-18.1	-94.3	23.86
Stage A	-18.3	-89.03	26.34
Stage A	-18.5	-83.35	28.37
Stage A	-18.7	-77.33	30.1
Stage A	-18.9	-71	31.67
Stage A	-19.1	-64.36	33.18
Stage A	-19.3	-57.41	34.77
Stage A	-19.5	-50.1	36.53
Stage A	-19.7	-42.39	38.56
Stage A	-19.9	-34.2	40.94
Stage A	-20.1	-25.45	43.74
Stage A	-20.3	-17.83	38.11
Stage A	-20.5	-11.26	32.87
Stage A	-20.7	-5.65	28.02
Stage A	-20.9	-0.94	23.58
Stage A	-21.1	2.97	19.55
Stage A	-21.3	6.15	15.9
Stage A	-21.5	8.68	12.64
Stage A	-21.7	10.63	9.75
Stage A	-21.9	12.07	7.2
Stage A	-22.1	13.06	4.97
Stage A	-22.3	13.67	3.05
Stage A	-22.5	13.96	1.41
Stage A	-22.7	13.96	0.02
Stage A	-22.9	13.73	-1.13
Stage A	-23.1	13.32	-2.08
Stage A	-23.3	12.75	-2.84
Stage A	-23.5	12.06	-3.43
Stage A	-23.7	11.29	-3.87
Stage A	-23.9	10.46	-4.18
Stage A	-24.1	9.58	-4.37
Stage A	-24.3	8.69	-4.47
Stage A	-24.5	7.79	-4.48
Stage A	-24.7	6.91	-4.42
Stage A	-24.9	6.05	-4.3
Stage A	-25.1	5.22	-4.13
Stage A	-25.3	4.44	-3.92
Stage A	-25.5	3.71	-3.67
Stage A	-25.7	3.03	-3.39
Stage A	-25.9	2.41	-3.08
Stage A	-26.1	1.86	-2.76
Stage A	-26.3	1.37	-2.42
Stage A	-26.5	0.96	-2.07
Stage A	-26.7	0.62	-1.71
Stage A	-26.9	0.35	-1.34
Stage A	-27.1	0.16	-0.97
Stage A	-27.3	0.04	-0.58
Stage A	-27.5	0	-0.2

Tabella Spostamento SLE (Rara/Frequente/Quasi Permanente) - LEFT Stage: Stage B

Design Assumption: SLE (Rara/Frequente/Quasi Permanente) Tipo Risultato: Spostamento	Muro: LEFT	
Stage	Z (m)	Spostamento (mm)
Stage B	-2.5	4.91
Stage B	-2.7	4.79
Stage B	-2.9	4.67
Stage B	-3.1	4.55
Stage B	-3.3	4.43
Stage B	-3.5	4.31
Stage B	-3.7	4.19
Stage B	-3.9	4.07
Stage B	-4.1	3.95
Stage B	-4.3	3.83
Stage B	-4.5	3.71
Stage B	-4.7	3.6
Stage B	-4.9	3.48
Stage B	-5.1	3.36
Stage B	-5.3	3.25
Stage B	-5.5	3.13
Stage B	-5.7	3.02
Stage B	-5.9	2.91
Stage B	-6.1	2.79
Stage B	-6.3	2.69
Stage B	-6.5	2.58
Stage B	-6.7	2.47
Stage B	-6.9	2.37
Stage B	-7.1	2.27
Stage B	-7.3	2.17
Stage B	-7.5	2.07
Stage B	-7.7	1.98
Stage B	-7.9	1.89
Stage B	-8.1	1.81
Stage B	-8.3	1.73
Stage B	-8.5	1.65
Stage B	-8.7	1.58
Stage B	-8.9	1.52
Stage B	-9	1.48
Stage B	-9.2	1.43
Stage B	-9.4	1.38
Stage B	-9.6	1.33
Stage B	-9.8	1.29
Stage B	-10	1.25
Stage B	-10.2	1.21
Stage B	-10.4	1.18
Stage B	-10.6	1.15
Stage B	-10.8	1.12
Stage B	-11	1.09
Stage B	-11.2	1.06
Stage B	-11.4	1.04
Stage B	-11.6	1.01
Stage B	-11.8	0.99
Stage B	-12	0.96
Stage B	-12.2	0.93
Stage B	-12.4	0.91
Stage B	-12.6	0.88
Stage B	-12.8	0.85
Stage B	-13	0.82
Stage B	-13.2	0.79
Stage B	-13.4	0.76
Stage B	-13.6	0.73
Stage B	-13.8	0.7
Stage B	-14	0.67
Stage B	-14.2	0.63
Stage B	-14.4	0.6
Stage B	-14.5	0.59
Stage B	-14.7	0.56
Stage B	-14.9	0.53
Stage B	-15.1	0.5
Stage B	-15.3	0.47
Stage B	-15.5	0.45

Design Assumption: SLE (Rara/Frequente/Quasi Permanente) Tipo Risultato: Spostamento		Muro: LEFT
Stage	Z (m)	Spostamento (mm)
Stage B	-15.7	0.42
Stage B	-15.9	0.4
Stage B	-16.1	0.38
Stage B	-16.3	0.36
Stage B	-16.5	0.34
Stage B	-16.7	0.32
Stage B	-16.9	0.31
Stage B	-17.1	0.3
Stage B	-17.3	0.28
Stage B	-17.5	0.27
Stage B	-17.7	0.27
Stage B	-17.9	0.26
Stage B	-18.1	0.25
Stage B	-18.3	0.25
Stage B	-18.5	0.25
Stage B	-18.7	0.24
Stage B	-18.9	0.24
Stage B	-19.1	0.24
Stage B	-19.3	0.24
Stage B	-19.5	0.25
Stage B	-19.7	0.25
Stage B	-19.9	0.25
Stage B	-20.1	0.25
Stage B	-20.3	0.26
Stage B	-20.5	0.26
Stage B	-20.7	0.27
Stage B	-20.9	0.27
Stage B	-21.1	0.27
Stage B	-21.3	0.28
Stage B	-21.5	0.28
Stage B	-21.7	0.28
Stage B	-21.9	0.29
Stage B	-22.1	0.29
Stage B	-22.3	0.29
Stage B	-22.5	0.29
Stage B	-22.7	0.3
Stage B	-22.9	0.3
Stage B	-23.1	0.3
Stage B	-23.3	0.3
Stage B	-23.5	0.3
Stage B	-23.7	0.3
Stage B	-23.9	0.3
Stage B	-24.1	0.3
Stage B	-24.3	0.3
Stage B	-24.5	0.3
Stage B	-24.7	0.3
Stage B	-24.9	0.3
Stage B	-25.1	0.3
Stage B	-25.3	0.3
Stage B	-25.5	0.3
Stage B	-25.7	0.3
Stage B	-25.9	0.3
Stage B	-26.1	0.3
Stage B	-26.3	0.3
Stage B	-26.5	0.3
Stage B	-26.7	0.3
Stage B	-26.9	0.3
Stage B	-27.1	0.3
Stage B	-27.3	0.3
Stage B	-27.5	0.3

Tabella Risultati Paratia SLE (Rara/Frequente/Quasi Permanente) - Left Wall - Stage: Stage B

Design Assumption: SLE (Rara/Frequente/Quasi Permanente) Risultati Paratia		Muro: LEFT	
Stage	Z (m)	Momento (kN*m/m)	Taglio (kN/m)
Stage B	-2.5	0	-0.29
Stage B	-2.7	-0.06	-0.29
Stage B	-2.9	-0.69	-3.15
Stage B	-3.1	-1.95	-6.29
Stage B	-3.3	-3.83	-9.42
Stage B	-3.5	-6.32	-12.46
Stage B	-3.7	-9.41	-15.42
Stage B	-3.9	-13.06	-18.29
Stage B	-4.1	-17.28	-21.08
Stage B	-4.3	-22.04	-23.78
Stage B	-4.5	-27.32	-26.41
Stage B	-4.7	-33.11	-28.94
Stage B	-4.9	-39.38	-31.39
Stage B	-5.1	-46.13	-33.74
Stage B	-5.3	-53.55	-37.12
Stage B	-5.5	-61.69	-40.69
Stage B	-5.7	-70.58	-44.45
Stage B	-5.9	-80.25	-48.36
Stage B	-6.1	-90.73	-52.39
Stage B	-6.3	-102.04	-56.52
Stage B	-6.5	-114.18	-60.71
Stage B	-6.7	-127.16	-64.92
Stage B	-6.9	-140.98	-69.11
Stage B	-7.1	-155.63	-73.23
Stage B	-7.3	-171.07	-77.22
Stage B	-7.5	-187.35	-81.36
Stage B	-7.7	-204.48	-85.68
Stage B	-7.9	-222.52	-90.17
Stage B	-8.1	-241.48	-94.84
Stage B	-8.3	-261.42	-99.68
Stage B	-8.5	-282.36	-104.69
Stage B	-8.7	-304.34	-109.9
Stage B	-8.9	-327.39	-115.27
Stage B	-9	-339.33	-119.43
Stage B	-9.2	-305.02	171.59
Stage B	-9.4	-271.86	165.76
Stage B	-9.6	-239.92	159.7
Stage B	-9.8	-209.24	153.4
Stage B	-10	-179.87	146.86
Stage B	-10.2	-151.86	140.07
Stage B	-10.4	-125.38	132.37
Stage B	-10.6	-100.52	124.31
Stage B	-10.8	-77.34	115.89
Stage B	-11	-55.92	107.09
Stage B	-11.2	-36.34	97.9
Stage B	-11.4	-18.68	88.3
Stage B	-11.6	-3.03	78.28
Stage B	-11.8	10.54	67.82
Stage B	-12	21.92	56.92
Stage B	-12.2	31.04	45.56
Stage B	-12.4	37.78	33.74
Stage B	-12.6	42.07	21.44
Stage B	-12.8	43.81	8.67
Stage B	-13	42.89	-4.57
Stage B	-13.2	39.24	-18.27
Stage B	-13.4	32.76	-32.41
Stage B	-13.6	23.36	-46.99
Stage B	-13.8	10.96	-61.97
Stage B	-14	-4.5	-77.31
Stage B	-14.2	-23.09	-92.98
Stage B	-14.4	-44.87	-108.91
Stage B	-14.5	-56.98	-121.01
Stage B	-14.7	-54.35	13.14
Stage B	-14.9	-54.98	-3.14
Stage B	-15.1	-58.86	-19.42
Stage B	-15.3	-65.72	-34.28
Stage B	-15.5	-73.92	-41.01

Design Assumption: SLE (Rara/Frequente/Quasi Permanente) Risultati Paratia		Muro: LEFT	
Stage	Z (m)	Momento (kN*m/m)	Taglio (kN/m)
Stage B	-15.7	-81.83	-39.54
Stage B	-15.9	-88	-30.89
Stage B	-16.1	-92.29	-21.43
Stage B	-16.3	-94.92	-13.14
Stage B	-16.5	-96.11	-5.97
Stage B	-16.7	-96.08	0.14
Stage B	-16.9	-95.02	5.29
Stage B	-17.1	-93.11	9.58
Stage B	-17.3	-90.49	13.11
Stage B	-17.5	-87.29	16
Stage B	-17.7	-83.61	18.36
Stage B	-17.9	-79.56	20.29
Stage B	-18.1	-75.18	21.86
Stage B	-18.3	-70.55	23.15
Stage B	-18.5	-65.7	24.25
Stage B	-18.7	-60.65	25.28
Stage B	-18.9	-55.38	26.36
Stage B	-19.1	-49.86	27.56
Stage B	-19.3	-44.06	28.99
Stage B	-19.5	-37.92	30.73
Stage B	-19.7	-31.35	32.86
Stage B	-19.9	-24.26	35.42
Stage B	-20.1	-16.57	38.48
Stage B	-20.3	-9.95	33.08
Stage B	-20.5	-4.33	28.1
Stage B	-20.7	0.38	23.54
Stage B	-20.9	4.26	19.4
Stage B	-21.1	7.39	15.68
Stage B	-21.3	9.86	12.36
Stage B	-21.5	11.75	9.41
Stage B	-21.7	13.11	6.83
Stage B	-21.9	14.03	4.59
Stage B	-22.1	14.56	2.66
Stage B	-22.3	14.76	1.02
Stage B	-22.5	14.69	-0.36
Stage B	-22.7	14.39	-1.5
Stage B	-22.9	13.91	-2.42
Stage B	-23.1	13.28	-3.15
Stage B	-23.3	12.54	-3.71
Stage B	-23.5	11.72	-4.11
Stage B	-23.7	10.84	-4.39
Stage B	-23.9	9.93	-4.55
Stage B	-24.1	9	-4.62
Stage B	-24.3	8.08	-4.6
Stage B	-24.5	7.18	-4.51
Stage B	-24.7	6.31	-4.37
Stage B	-24.9	5.47	-4.18
Stage B	-25.1	4.68	-3.95
Stage B	-25.3	3.95	-3.69
Stage B	-25.5	3.27	-3.4
Stage B	-25.7	2.65	-3.1
Stage B	-25.9	2.09	-2.79
Stage B	-26.1	1.6	-2.46
Stage B	-26.3	1.17	-2.13
Stage B	-26.5	0.81	-1.8
Stage B	-26.7	0.52	-1.47
Stage B	-26.9	0.29	-1.14
Stage B	-27.1	0.13	-0.81
Stage B	-27.3	0.03	-0.48
Stage B	-27.5	0	-0.16

Tabella Spostamento SLE (Rara/Frequente/Quasi Permanente) - LEFT Stage: Stage 4

Design Assumption: SLE (Rara/Frequente/Quasi Permanente) Tipo Risultato: Spostamento	Muro: LEFT	
Stage	Z (m)	Spostamento (mm)
Stage 4	-2.5	4
Stage 4	-2.7	4.08
Stage 4	-2.9	4.15
Stage 4	-3.1	4.23
Stage 4	-3.3	4.3
Stage 4	-3.5	4.38
Stage 4	-3.7	4.45
Stage 4	-3.9	4.53
Stage 4	-4.1	4.6
Stage 4	-4.3	4.68
Stage 4	-4.5	4.75
Stage 4	-4.7	4.83
Stage 4	-4.9	4.91
Stage 4	-5.1	4.99
Stage 4	-5.3	5.06
Stage 4	-5.5	5.14
Stage 4	-5.7	5.22
Stage 4	-5.9	5.3
Stage 4	-6.1	5.38
Stage 4	-6.3	5.46
Stage 4	-6.5	5.55
Stage 4	-6.7	5.63
Stage 4	-6.9	5.72
Stage 4	-7.1	5.81
Stage 4	-7.3	5.9
Stage 4	-7.5	5.99
Stage 4	-7.7	6.08
Stage 4	-7.9	6.18
Stage 4	-8.1	6.28
Stage 4	-8.3	6.38
Stage 4	-8.5	6.49
Stage 4	-8.7	6.6
Stage 4	-8.9	6.71
Stage 4	-9	6.77
Stage 4	-9.2	6.89
Stage 4	-9.4	7.01
Stage 4	-9.6	7.14
Stage 4	-9.8	7.27
Stage 4	-10	7.39
Stage 4	-10.2	7.52
Stage 4	-10.4	7.66
Stage 4	-10.6	7.78
Stage 4	-10.8	7.91
Stage 4	-11	8.04
Stage 4	-11.2	8.16
Stage 4	-11.4	8.29
Stage 4	-11.6	8.41
Stage 4	-11.8	8.52
Stage 4	-12	8.63
Stage 4	-12.2	8.74
Stage 4	-12.4	8.84
Stage 4	-12.6	8.93
Stage 4	-12.8	9.02
Stage 4	-13	9.11
Stage 4	-13.2	9.18
Stage 4	-13.4	9.25
Stage 4	-13.6	9.32
Stage 4	-13.8	9.38
Stage 4	-14	9.43
Stage 4	-14.2	9.47
Stage 4	-14.4	9.51
Stage 4	-14.5	9.52
Stage 4	-14.7	9.55
Stage 4	-14.9	9.57
Stage 4	-15.1	9.58
Stage 4	-15.3	9.58
Stage 4	-15.5	9.57

Design Assumption: SLE (Rara/Frequente/Quasi Permanente) Tipo Risultato: Spostamento			Muro: LEFT
Stage	Z (m)	Spostamento (mm)	
Stage 4	-15.7	9.55	
Stage 4	-15.9	9.53	
Stage 4	-16.1	9.49	
Stage 4	-16.3	9.44	
Stage 4	-16.5	9.38	
Stage 4	-16.7	9.32	
Stage 4	-16.9	9.24	
Stage 4	-17.1	9.15	
Stage 4	-17.3	9.04	
Stage 4	-17.5	8.93	
Stage 4	-17.7	8.81	
Stage 4	-17.9	8.67	
Stage 4	-18.1	8.53	
Stage 4	-18.3	8.37	
Stage 4	-18.5	8.21	
Stage 4	-18.7	8.03	
Stage 4	-18.9	7.84	
Stage 4	-19.1	7.65	
Stage 4	-19.3	7.44	
Stage 4	-19.5	7.23	
Stage 4	-19.7	7.01	
Stage 4	-19.9	6.78	
Stage 4	-20.1	6.54	
Stage 4	-20.3	6.3	
Stage 4	-20.5	6.05	
Stage 4	-20.7	5.8	
Stage 4	-20.9	5.55	
Stage 4	-21.1	5.29	
Stage 4	-21.3	5.03	
Stage 4	-21.5	4.77	
Stage 4	-21.7	4.51	
Stage 4	-21.9	4.25	
Stage 4	-22.1	3.99	
Stage 4	-22.3	3.74	
Stage 4	-22.5	3.49	
Stage 4	-22.7	3.24	
Stage 4	-22.9	3	
Stage 4	-23.1	2.77	
Stage 4	-23.3	2.55	
Stage 4	-23.5	2.34	
Stage 4	-23.7	2.13	
Stage 4	-23.9	1.94	
Stage 4	-24.1	1.75	
Stage 4	-24.3	1.58	
Stage 4	-24.5	1.41	
Stage 4	-24.7	1.26	
Stage 4	-24.9	1.11	
Stage 4	-25.1	0.97	
Stage 4	-25.3	0.84	
Stage 4	-25.5	0.72	
Stage 4	-25.7	0.61	
Stage 4	-25.9	0.5	
Stage 4	-26.1	0.4	
Stage 4	-26.3	0.3	
Stage 4	-26.5	0.2	
Stage 4	-26.7	0.11	
Stage 4	-26.9	0.02	
Stage 4	-27.1	-0.08	
Stage 4	-27.3	-0.17	
Stage 4	-27.5	-0.26	

Tabella Risultati Paratia SLE (Rara/Frequente/Quasi Permanente) - Left Wall - Stage: Stage 4

Design Assumption: SLE (Rara/Frequente/Quasi Permanente) Risultati Paratia		Muro: LEFT	
Stage	Z (m)	Momento (kN*m/m)	Taglio (kN/m)
Stage 4	-2.5	0	0
Stage 4	-2.7	0	0
Stage 4	-2.7	0	0
Stage 4	-2.9	-0.85	-4.23
Stage 4	-3.1	-2.51	-8.34
Stage 4	-3.3	-4.69	-10.87
Stage 4	-3.5	-7.05	-11.81
Stage 4	-3.7	-9.55	-12.51
Stage 4	-3.9	-12.23	-13.36
Stage 4	-4.1	-15.1	-14.36
Stage 4	-4.3	-18.2	-15.51
Stage 4	-4.5	-21.56	-16.81
Stage 4	-4.7	-25.22	-18.27
Stage 4	-4.9	-29.19	-19.89
Stage 4	-5.1	-33.53	-21.67
Stage 4	-5.3	-38.3	-23.87
Stage 4	-5.5	-43.55	-26.25
Stage 4	-5.7	-49.31	-28.81
Stage 4	-5.9	-55.62	-31.55
Stage 4	-6.1	-62.51	-34.46
Stage 4	-6.3	-70.02	-37.55
Stage 4	-6.5	-78.18	-40.81
Stage 4	-6.7	-87.03	-44.25
Stage 4	-6.9	-96.61	-47.87
Stage 4	-7.1	-106.94	-51.66
Stage 4	-7.3	-118.06	-55.62
Stage 4	-7.5	-130.02	-59.77
Stage 4	-7.7	-142.84	-64.09
Stage 4	-7.9	-156.55	-68.58
Stage 4	-8.1	-171.2	-73.24
Stage 4	-8.3	-186.82	-78.09
Stage 4	-8.5	-203.44	-83.1
Stage 4	-8.7	-221.1	-88.3
Stage 4	-8.9	-239.84	-93.68
Stage 4	-9	-249.62	-97.84
Stage 4	-9.2	-205.87	218.78
Stage 4	-9.4	-163.27	212.96
Stage 4	-9.6	-121.88	206.97
Stage 4	-9.8	-81.72	200.81
Stage 4	-10	-42.82	194.47
Stage 4	-10.2	-5.23	187.96
Stage 4	-10.4	30.96	180.95
Stage 4	-10.6	65.71	173.75
Stage 4	-10.8	98.99	166.38
Stage 4	-11	130.75	158.82
Stage 4	-11.2	160.97	151.1
Stage 4	-11.4	189.61	143.2
Stage 4	-11.6	216.64	135.13
Stage 4	-11.8	242.01	126.89
Stage 4	-12	265.71	118.47
Stage 4	-12.2	287.69	109.88
Stage 4	-12.4	307.91	101.13
Stage 4	-12.6	326.35	92.19
Stage 4	-12.8	342.97	83.09
Stage 4	-13	357.73	73.82
Stage 4	-13.2	370.61	64.38
Stage 4	-13.4	381.56	54.77
Stage 4	-13.6	390.56	45
Stage 4	-13.8	397.57	35.05
Stage 4	-14	402.56	24.94
Stage 4	-14.2	405.49	14.66
Stage 4	-14.4	406.34	4.21
Stage 4	-14.5	405.96	-3.75
Stage 4	-14.7	437.12	155.8
Stage 4	-14.9	466.11	144.94
Stage 4	-15.1	492.89	133.9
Stage 4	-15.3	517.44	122.77

Design Assumption: SLE (Rara/Frequente/Quasi Permanente) Risultati Paratia		Muro: LEFT	
Stage	Z (m)	Momento (kN*m/m)	Taglio (kN/m)
Stage 4	-15.5	539.73	111.45
Stage 4	-15.7	559.73	99.97
Stage 4	-15.9	577.39	88.31
Stage 4	-16.1	592.69	76.49
Stage 4	-16.3	605.58	64.49
Stage 4	-16.5	616.05	52.32
Stage 4	-16.7	624.05	39.99
Stage 4	-16.9	629.55	27.5
Stage 4	-17.1	632.51	14.83
Stage 4	-17.3	632.91	2
Stage 4	-17.5	630.71	-11
Stage 4	-17.7	625.88	-24.16
Stage 4	-17.9	618.38	-37.49
Stage 4	-18.1	608.18	-50.99
Stage 4	-18.3	595.25	-64.65
Stage 4	-18.5	579.56	-78.47
Stage 4	-18.7	561.07	-92.46
Stage 4	-18.9	539.74	-106.62
Stage 4	-19.1	515.55	-120.94
Stage 4	-19.3	488.47	-135.43
Stage 4	-19.5	458.45	-150.1
Stage 4	-19.7	425.46	-164.94
Stage 4	-19.9	389.47	-179.96
Stage 4	-20.1	350.44	-195.15
Stage 4	-20.3	308.33	-210.52
Stage 4	-20.5	263.12	-226.05
Stage 4	-20.7	214.77	-241.77
Stage 4	-20.9	163.24	-257.65
Stage 4	-21.1	108.49	-273.72
Stage 4	-21.3	50.94	-287.77
Stage 4	-21.5	-8.59	-297.64
Stage 4	-21.7	-69.25	-303.32
Stage 4	-21.9	-130.22	-304.83
Stage 4	-22.1	-190.65	-302.15
Stage 4	-22.3	-249.7	-295.28
Stage 4	-22.5	-306.55	-284.24
Stage 4	-22.7	-360.35	-269
Stage 4	-22.9	-410.27	-249.58
Stage 4	-23.1	-455.46	-225.98
Stage 4	-23.3	-495.1	-198.18
Stage 4	-23.5	-528.34	-166.21
Stage 4	-23.7	-554.35	-130.05
Stage 4	-23.9	-572.3	-89.71
Stage 4	-24.1	-581.33	-45.18
Stage 4	-24.3	-580.62	3.54
Stage 4	-24.5	-569.72	54.49
Stage 4	-24.7	-549.07	103.27
Stage 4	-24.9	-519.06	150.04
Stage 4	-25.1	-480.26	194.02
Stage 4	-25.3	-434.62	228.21
Stage 4	-25.5	-384.2	252.11
Stage 4	-25.7	-330.93	266.32
Stage 4	-25.9	-276.65	271.38
Stage 4	-26.1	-223.1	267.77
Stage 4	-26.3	-171.93	255.87
Stage 4	-26.5	-124.73	236
Stage 4	-26.7	-83.05	208.39
Stage 4	-26.9	-48.4	173.23
Stage 4	-27.1	-22.28	130.62
Stage 4	-27.3	-5.81	82.31
Stage 4	-27.5	0	29.08

Tabella Spostamento SLE (Rara/Frequente/Quasi Permanente) - LEFT Stage: Stage 5

Design Assumption: SLE (Rara/Frequente/Quasi Permanente) Tipo Risultato: Spostamento	Muro: LEFT	
Stage	Z (m)	Spostamento (mm)
Stage 5	-2.5	4
Stage 5	-2.7	4.08
Stage 5	-2.9	4.15
Stage 5	-3.1	4.23
Stage 5	-3.3	4.31
Stage 5	-3.5	4.38
Stage 5	-3.7	4.46
Stage 5	-3.9	4.54
Stage 5	-4.1	4.61
Stage 5	-4.3	4.69
Stage 5	-4.5	4.77
Stage 5	-4.7	4.85
Stage 5	-4.9	4.92
Stage 5	-5.1	5
Stage 5	-5.3	5.08
Stage 5	-5.5	5.16
Stage 5	-5.7	5.24
Stage 5	-5.9	5.32
Stage 5	-6.1	5.41
Stage 5	-6.3	5.49
Stage 5	-6.5	5.58
Stage 5	-6.7	5.66
Stage 5	-6.9	5.75
Stage 5	-7.1	5.84
Stage 5	-7.3	5.93
Stage 5	-7.5	6.02
Stage 5	-7.7	6.12
Stage 5	-7.9	6.22
Stage 5	-8.1	6.32
Stage 5	-8.3	6.42
Stage 5	-8.5	6.53
Stage 5	-8.7	6.64
Stage 5	-8.9	6.75
Stage 5	-9	6.81
Stage 5	-9.2	6.93
Stage 5	-9.4	7.05
Stage 5	-9.6	7.18
Stage 5	-9.8	7.31
Stage 5	-10	7.44
Stage 5	-10.2	7.57
Stage 5	-10.4	7.7
Stage 5	-10.6	7.83
Stage 5	-10.8	7.96
Stage 5	-11	8.09
Stage 5	-11.2	8.21
Stage 5	-11.4	8.33
Stage 5	-11.6	8.45
Stage 5	-11.8	8.57
Stage 5	-12	8.68
Stage 5	-12.2	8.78
Stage 5	-12.4	8.88
Stage 5	-12.6	8.98
Stage 5	-12.8	9.07
Stage 5	-13	9.15
Stage 5	-13.2	9.23
Stage 5	-13.4	9.3
Stage 5	-13.6	9.36
Stage 5	-13.8	9.42
Stage 5	-14	9.47
Stage 5	-14.2	9.51
Stage 5	-14.4	9.55
Stage 5	-14.5	9.56
Stage 5	-14.7	9.59
Stage 5	-14.9	9.6
Stage 5	-15.1	9.61
Stage 5	-15.3	9.61
Stage 5	-15.5	9.6

Design Assumption: SLE (Rara/Frequente/Quasi Permanente) Tipo Risultato: Spostamento		Muro: LEFT
Stage	Z (m)	Spostamento (mm)
Stage 5	-15.7	9.58
Stage 5	-15.9	9.55
Stage 5	-16.1	9.51
Stage 5	-16.3	9.46
Stage 5	-16.5	9.4
Stage 5	-16.7	9.33
Stage 5	-16.9	9.25
Stage 5	-17.1	9.16
Stage 5	-17.3	9.05
Stage 5	-17.5	8.94
Stage 5	-17.7	8.81
Stage 5	-17.9	8.67
Stage 5	-18.1	8.52
Stage 5	-18.3	8.36
Stage 5	-18.5	8.19
Stage 5	-18.7	8.01
Stage 5	-18.9	7.82
Stage 5	-19.1	7.62
Stage 5	-19.3	7.41
Stage 5	-19.5	7.19
Stage 5	-19.7	6.96
Stage 5	-19.9	6.73
Stage 5	-20.1	6.49
Stage 5	-20.3	6.24
Stage 5	-20.5	5.99
Stage 5	-20.7	5.74
Stage 5	-20.9	5.48
Stage 5	-21.1	5.21
Stage 5	-21.3	4.95
Stage 5	-21.5	4.69
Stage 5	-21.7	4.42
Stage 5	-21.9	4.16
Stage 5	-22.1	3.9
Stage 5	-22.3	3.64
Stage 5	-22.5	3.39
Stage 5	-22.7	3.15
Stage 5	-22.9	2.91
Stage 5	-23.1	2.68
Stage 5	-23.3	2.46
Stage 5	-23.5	2.24
Stage 5	-23.7	2.04
Stage 5	-23.9	1.84
Stage 5	-24.1	1.66
Stage 5	-24.3	1.48
Stage 5	-24.5	1.32
Stage 5	-24.7	1.16
Stage 5	-24.9	1.02
Stage 5	-25.1	0.88
Stage 5	-25.3	0.76
Stage 5	-25.5	0.64
Stage 5	-25.7	0.52
Stage 5	-25.9	0.41
Stage 5	-26.1	0.31
Stage 5	-26.3	0.21
Stage 5	-26.5	0.12
Stage 5	-26.7	0.02
Stage 5	-26.9	-0.07
Stage 5	-27.1	-0.16
Stage 5	-27.3	-0.25
Stage 5	-27.5	-0.35

Tabella Risultati Paratia SLE (Rara/Frequente/Quasi Permanente) - Left Wall - Stage: Stage 5

Design Assumption: SLE (Rara/Frequente/Quasi Permanente) Risultati Paratia		Muro: LEFT	
Stage	Z (m)	Momento (kN*m/m)	Taglio (kN/m)
Stage 5	-2.5	0	-0.01
Stage 5	-2.7	0	-0.01
Stage 5	-2.7	0	-0.01
Stage 5	-2.9	-0.85	-4.24
Stage 5	-3.1	-2.52	-8.33
Stage 5	-3.3	-4.68	-10.83
Stage 5	-3.5	-7.02	-11.71
Stage 5	-3.7	-9.49	-12.34
Stage 5	-3.9	-12.11	-13.09
Stage 5	-4.1	-14.91	-13.98
Stage 5	-4.3	-17.91	-15
Stage 5	-4.5	-21.17	-16.3
Stage 5	-4.7	-24.72	-17.76
Stage 5	-4.9	-28.6	-19.38
Stage 5	-5.1	-32.83	-21.16
Stage 5	-5.3	-37.5	-23.36
Stage 5	-5.5	-42.65	-25.74
Stage 5	-5.7	-48.31	-28.3
Stage 5	-5.9	-54.51	-31.04
Stage 5	-6.1	-61.3	-33.95
Stage 5	-6.3	-68.71	-37.04
Stage 5	-6.5	-76.77	-40.3
Stage 5	-6.7	-85.52	-43.74
Stage 5	-6.9	-94.99	-47.36
Stage 5	-7.1	-105.22	-51.15
Stage 5	-7.3	-116.24	-55.12
Stage 5	-7.5	-128.1	-59.26
Stage 5	-7.7	-140.81	-63.58
Stage 5	-7.9	-154.43	-68.07
Stage 5	-8.1	-168.97	-72.74
Stage 5	-8.3	-184.49	-77.58
Stage 5	-8.5	-201.01	-82.59
Stage 5	-8.7	-218.57	-87.79
Stage 5	-8.9	-237.2	-93.17
Stage 5	-9	-246.93	-97.33
Stage 5	-9.2	-203.04	219.49
Stage 5	-9.4	-160.3	213.67
Stage 5	-9.6	-118.77	207.68
Stage 5	-9.8	-78.46	201.52
Stage 5	-10	-39.42	195.19
Stage 5	-10.2	-1.69	188.68
Stage 5	-10.4	34.64	181.66
Stage 5	-10.6	69.54	174.46
Stage 5	-10.8	102.95	167.09
Stage 5	-11	134.86	159.54
Stage 5	-11.2	165.22	151.81
Stage 5	-11.4	194	143.91
Stage 5	-11.6	221.17	135.84
Stage 5	-11.8	246.69	127.6
Stage 5	-12	270.53	119.18
Stage 5	-12.2	292.65	110.59
Stage 5	-12.4	313.02	101.84
Stage 5	-12.6	331.6	92.9
Stage 5	-12.8	348.36	83.8
Stage 5	-13	363.26	74.53
Stage 5	-13.2	376.28	65.09
Stage 5	-13.4	387.38	55.48
Stage 5	-13.6	396.52	45.71
Stage 5	-13.8	403.67	35.76
Stage 5	-14	408.8	25.65
Stage 5	-14.2	411.88	15.37
Stage 5	-14.4	412.86	4.93
Stage 5	-14.5	412.56	-3.04
Stage 5	-14.7	443.88	156.6
Stage 5	-14.9	473.03	145.74
Stage 5	-15.1	499.97	134.71
Stage 5	-15.3	524.68	123.57

Design Assumption: SLE (Rara/Frequente/Quasi Permanente) Risultati Paratia		Muro: LEFT	
Stage	Z (m)	Momento (kN*m/m)	Taglio (kN/m)
Stage 5	-15.5	547.14	112.26
Stage 5	-15.7	567.29	100.78
Stage 5	-15.9	585.11	89.12
Stage 5	-16.1	600.57	77.29
Stage 5	-16.3	613.63	65.29
Stage 5	-16.5	624.26	53.13
Stage 5	-16.7	632.42	40.8
Stage 5	-16.9	638.08	28.3
Stage 5	-17.1	641.2	15.63
Stage 5	-17.3	641.76	2.8
Stage 5	-17.5	639.73	-10.19
Stage 5	-17.7	635.05	-23.36
Stage 5	-17.9	627.73	-36.62
Stage 5	-18.1	617.67	-50.28
Stage 5	-18.3	604.81	-64.33
Stage 5	-18.5	589.05	-78.8
Stage 5	-18.7	570.31	-93.69
Stage 5	-18.9	548.51	-109
Stage 5	-19.1	523.56	-124.76
Stage 5	-19.3	495.36	-140.97
Stage 5	-19.5	463.84	-157.65
Stage 5	-19.7	428.87	-174.8
Stage 5	-19.9	390.42	-192.28
Stage 5	-20.1	348.4	-210.07
Stage 5	-20.3	302.95	-227.27
Stage 5	-20.5	254.07	-244.39
Stage 5	-20.7	201.79	-261.39
Stage 5	-20.9	146.15	-278.22
Stage 5	-21.1	87.17	-294.89
Stage 5	-21.3	26.97	-301.02
Stage 5	-21.5	-34.02	-304.92
Stage 5	-21.7	-95.19	-305.88
Stage 5	-21.9	-155.91	-303.6
Stage 5	-22.1	-215.49	-297.88
Stage 5	-22.3	-273.21	-288.58
Stage 5	-22.5	-328.33	-275.62
Stage 5	-22.7	-380.11	-258.89
Stage 5	-22.9	-427.77	-238.33
Stage 5	-23.1	-470.55	-213.88
Stage 5	-23.3	-507.65	-185.49
Stage 5	-23.5	-538.27	-153.13
Stage 5	-23.7	-561.62	-116.74
Stage 5	-23.9	-577.04	-77.08
Stage 5	-24.1	-583.94	-34.5
Stage 5	-24.3	-581.47	12.33
Stage 5	-24.5	-569.19	61.42
Stage 5	-24.7	-547.51	108.41
Stage 5	-24.9	-516.82	153.43
Stage 5	-25.1	-477.59	196.15
Stage 5	-25.3	-431.61	229.88
Stage 5	-25.5	-380.96	253.27
Stage 5	-25.7	-327.57	266.91
Stage 5	-25.9	-273.3	271.37
Stage 5	-26.1	-219.88	267.09
Stage 5	-26.3	-168.99	254.48
Stage 5	-26.5	-122.22	233.84
Stage 5	-26.7	-81.14	205.42
Stage 5	-26.9	-47.26	169.39
Stage 5	-27.1	-21.78	127.4
Stage 5	-27.3	-5.69	80.42
Stage 5	-27.5	0	28.46

Tabella Spostamento SLE (Rara/Frequente/Quasi Permanente) - LEFT Stage: Stage 8

Design Assumption: SLE (Rara/Frequente/Quasi Permanente) Tipo Risultato: Spostamento	Muro: LEFT	
Stage	Z (m)	Spostamento (mm)
Stage 8	-2.5	4.01
Stage 8	-2.7	4.08
Stage 8	-2.9	4.16
Stage 8	-3.1	4.24
Stage 8	-3.3	4.31
Stage 8	-3.5	4.39
Stage 8	-3.7	4.47
Stage 8	-3.9	4.54
Stage 8	-4.1	4.62
Stage 8	-4.3	4.7
Stage 8	-4.5	4.77
Stage 8	-4.7	4.85
Stage 8	-4.9	4.93
Stage 8	-5.1	5.01
Stage 8	-5.3	5.09
Stage 8	-5.5	5.17
Stage 8	-5.7	5.25
Stage 8	-5.9	5.33
Stage 8	-6.1	5.41
Stage 8	-6.3	5.49
Stage 8	-6.5	5.58
Stage 8	-6.7	5.66
Stage 8	-6.9	5.75
Stage 8	-7.1	5.84
Stage 8	-7.3	5.93
Stage 8	-7.5	6.03
Stage 8	-7.7	6.12
Stage 8	-7.9	6.22
Stage 8	-8.1	6.32
Stage 8	-8.3	6.42
Stage 8	-8.5	6.53
Stage 8	-8.7	6.64
Stage 8	-8.9	6.75
Stage 8	-9	6.81
Stage 8	-9.2	6.93
Stage 8	-9.4	7.06
Stage 8	-9.6	7.18
Stage 8	-9.8	7.31
Stage 8	-10	7.44
Stage 8	-10.2	7.57
Stage 8	-10.4	7.7
Stage 8	-10.6	7.83
Stage 8	-10.8	7.96
Stage 8	-11	8.09
Stage 8	-11.2	8.21
Stage 8	-11.4	8.33
Stage 8	-11.6	8.45
Stage 8	-11.8	8.57
Stage 8	-12	8.68
Stage 8	-12.2	8.78
Stage 8	-12.4	8.88
Stage 8	-12.6	8.98
Stage 8	-12.8	9.07
Stage 8	-13	9.15
Stage 8	-13.2	9.23
Stage 8	-13.4	9.3
Stage 8	-13.6	9.36
Stage 8	-13.8	9.42
Stage 8	-14	9.47
Stage 8	-14.2	9.51
Stage 8	-14.4	9.55
Stage 8	-14.5	9.56
Stage 8	-14.7	9.59
Stage 8	-14.9	9.6
Stage 8	-15.1	9.61
Stage 8	-15.3	9.61
Stage 8	-15.5	9.6

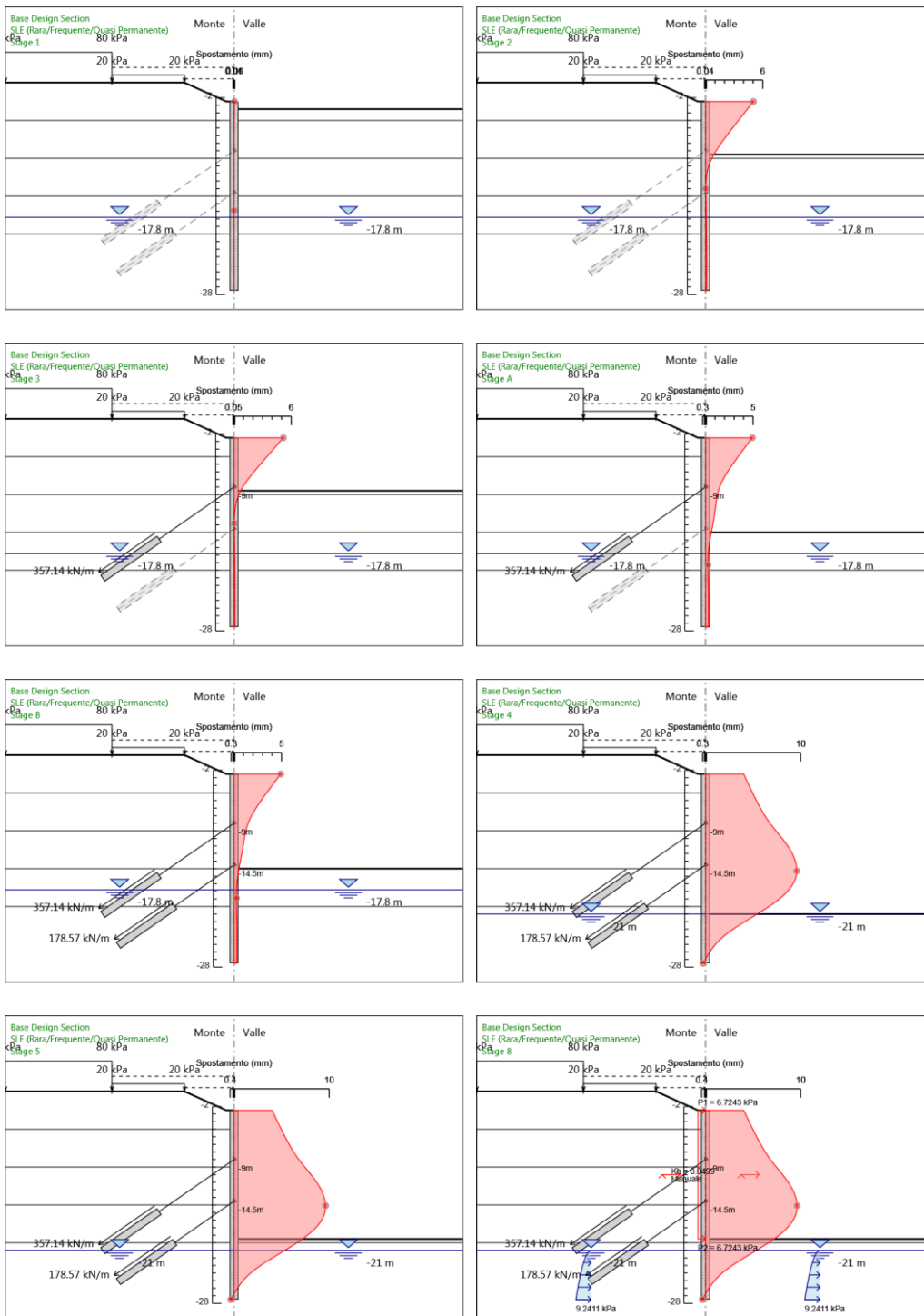
Design Assumption: SLE (Rara/Frequente/Quasi Permanente) Tipo Risultato: Spostamento		Muro: LEFT
Stage	Z (m)	Spostamento (mm)
Stage 8	-15.7	9.58
Stage 8	-15.9	9.55
Stage 8	-16.1	9.51
Stage 8	-16.3	9.46
Stage 8	-16.5	9.4
Stage 8	-16.7	9.33
Stage 8	-16.9	9.25
Stage 8	-17.1	9.16
Stage 8	-17.3	9.05
Stage 8	-17.5	8.94
Stage 8	-17.7	8.81
Stage 8	-17.9	8.67
Stage 8	-18.1	8.52
Stage 8	-18.3	8.36
Stage 8	-18.5	8.19
Stage 8	-18.7	8.01
Stage 8	-18.9	7.82
Stage 8	-19.1	7.62
Stage 8	-19.3	7.41
Stage 8	-19.5	7.19
Stage 8	-19.7	6.96
Stage 8	-19.9	6.73
Stage 8	-20.1	6.49
Stage 8	-20.3	6.24
Stage 8	-20.5	5.99
Stage 8	-20.7	5.74
Stage 8	-20.9	5.48
Stage 8	-21.1	5.21
Stage 8	-21.3	4.95
Stage 8	-21.5	4.69
Stage 8	-21.7	4.42
Stage 8	-21.9	4.16
Stage 8	-22.1	3.9
Stage 8	-22.3	3.64
Stage 8	-22.5	3.39
Stage 8	-22.7	3.15
Stage 8	-22.9	2.91
Stage 8	-23.1	2.68
Stage 8	-23.3	2.46
Stage 8	-23.5	2.24
Stage 8	-23.7	2.04
Stage 8	-23.9	1.84
Stage 8	-24.1	1.66
Stage 8	-24.3	1.48
Stage 8	-24.5	1.32
Stage 8	-24.7	1.16
Stage 8	-24.9	1.02
Stage 8	-25.1	0.88
Stage 8	-25.3	0.76
Stage 8	-25.5	0.64
Stage 8	-25.7	0.52
Stage 8	-25.9	0.41
Stage 8	-26.1	0.31
Stage 8	-26.3	0.21
Stage 8	-26.5	0.12
Stage 8	-26.7	0.02
Stage 8	-26.9	-0.07
Stage 8	-27.1	-0.16
Stage 8	-27.3	-0.25
Stage 8	-27.5	-0.35

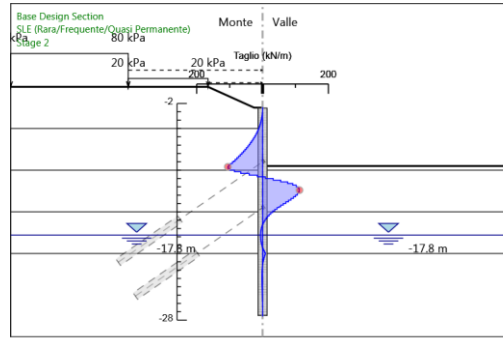
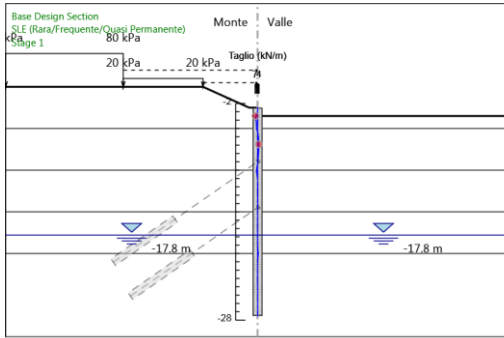
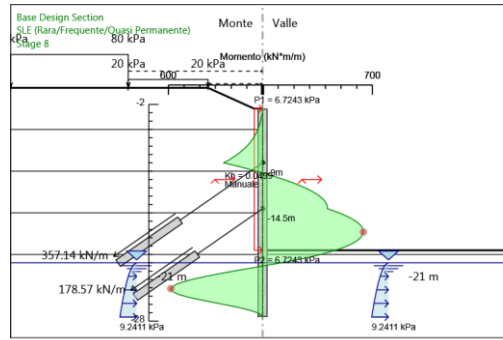
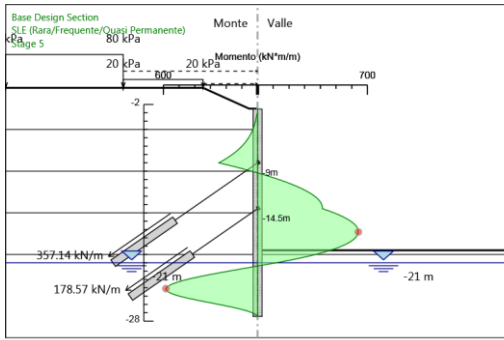
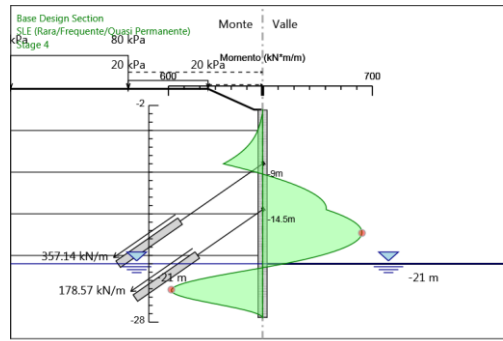
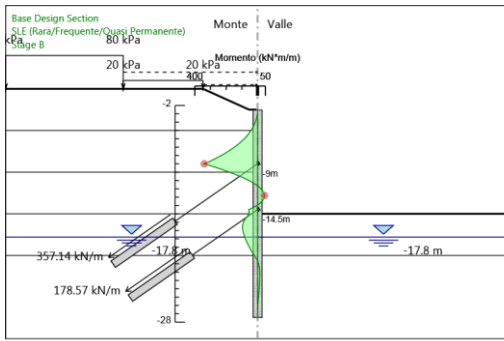
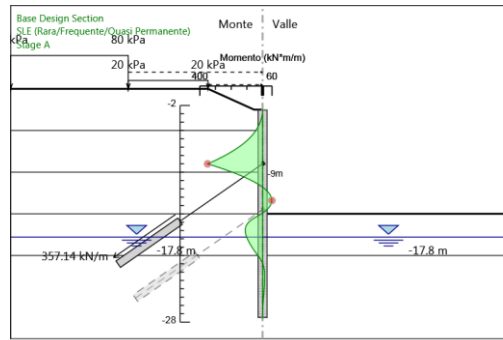
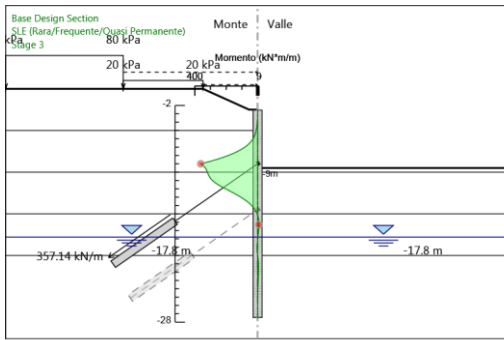
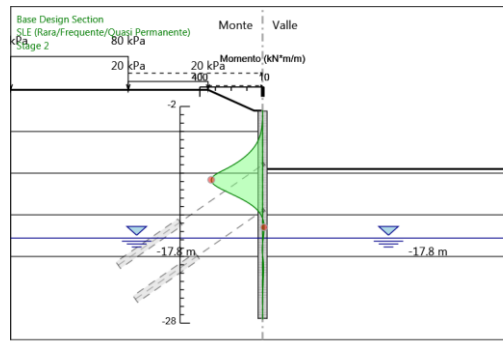
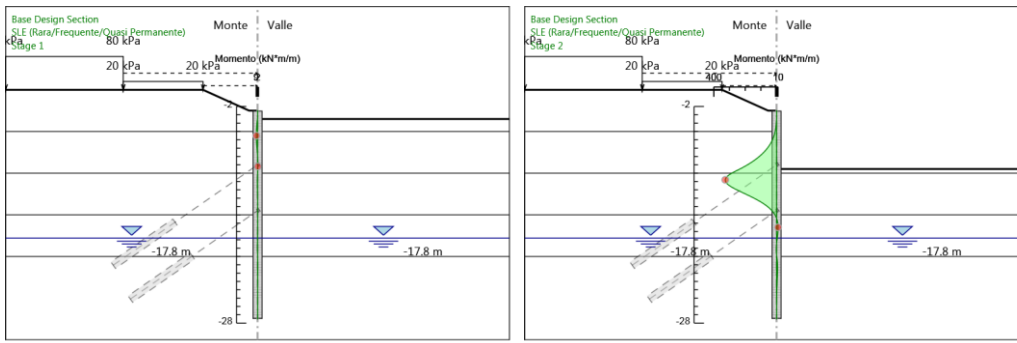
Tabella Risultati Paratia SLE (Rara/Frequente/Quasi Permanente) - Left Wall - Stage: Stage 8

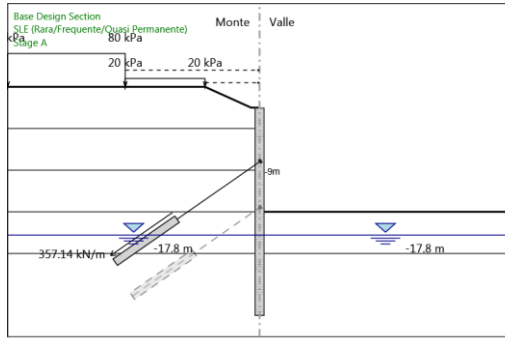
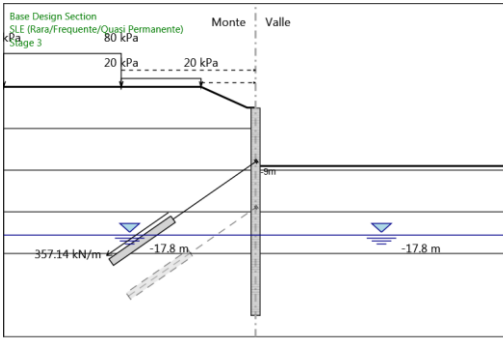
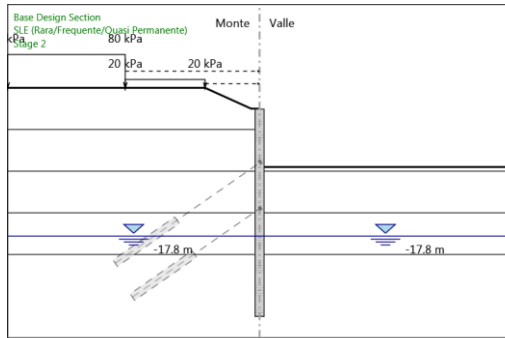
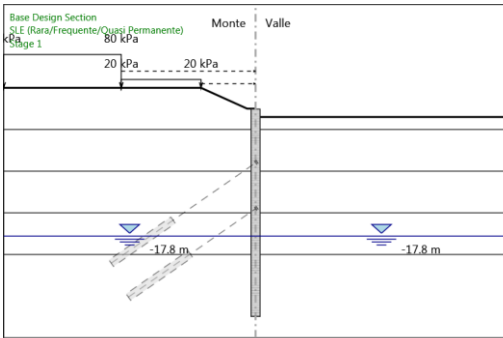
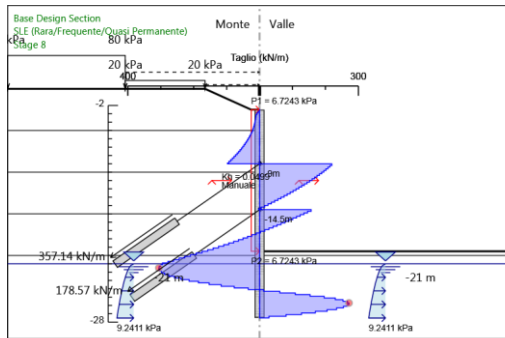
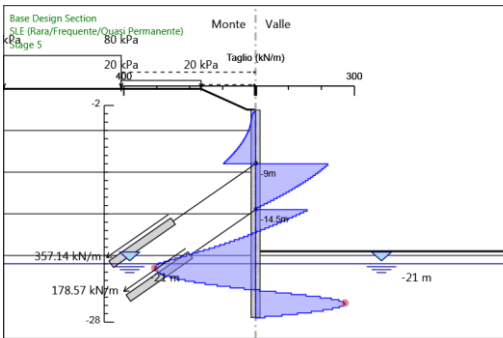
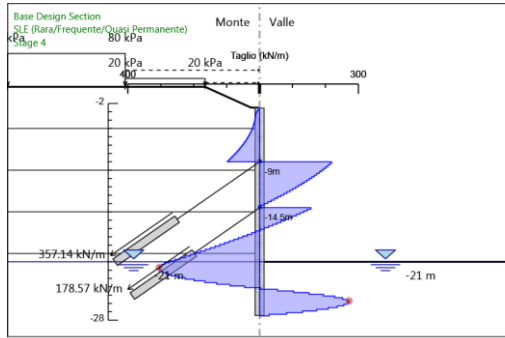
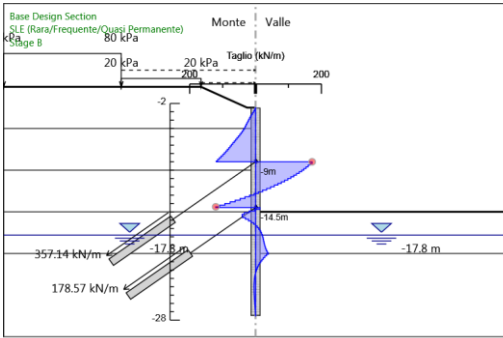
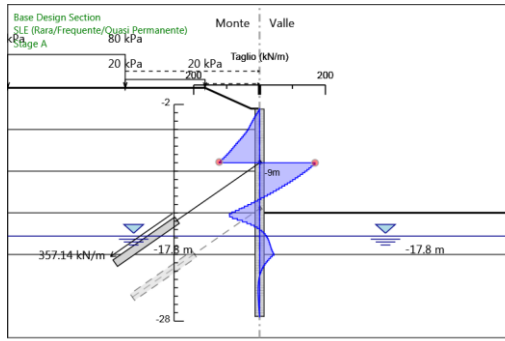
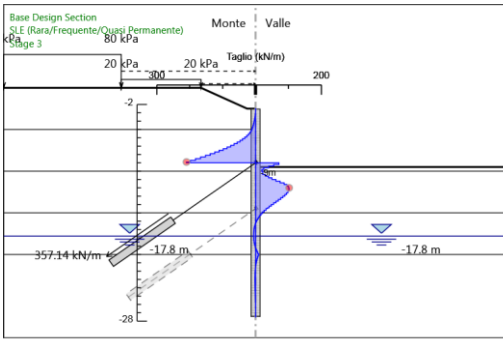
Design Assumption: SLE (Rara/Frequente/Quasi Permanente) Risultati Paratia		Muro: LEFT	
Stage	Z (m)	Momento (kN*m/m)	Taglio (kN/m)
Stage 8	-2.5	0	0
Stage 8	-2.7	0	0
Stage 8	-2.7	0	0
Stage 8	-2.9	-0.83	-4.16
Stage 8	-3.1	-2.47	-8.18
Stage 8	-3.3	-4.59	-10.6
Stage 8	-3.5	-6.87	-11.42
Stage 8	-3.7	-9.3	-12.12
Stage 8	-3.9	-11.89	-12.97
Stage 8	-4.1	-14.68	-13.97
Stage 8	-4.3	-17.71	-15.12
Stage 8	-4.5	-20.99	-16.42
Stage 8	-4.7	-24.57	-17.88
Stage 8	-4.9	-28.47	-19.5
Stage 8	-5.1	-32.72	-21.28
Stage 8	-5.3	-37.42	-23.48
Stage 8	-5.5	-42.59	-25.86
Stage 8	-5.7	-48.28	-28.42
Stage 8	-5.9	-54.51	-31.16
Stage 8	-6.1	-61.32	-34.07
Stage 8	-6.3	-68.75	-37.16
Stage 8	-6.5	-76.84	-40.42
Stage 8	-6.7	-85.61	-43.86
Stage 8	-6.9	-95.1	-47.48
Stage 8	-7.1	-105.36	-51.27
Stage 8	-7.3	-116.4	-55.23
Stage 8	-7.5	-128.28	-59.38
Stage 8	-7.7	-141.02	-63.7
Stage 8	-7.9	-154.66	-68.19
Stage 8	-8.1	-169.23	-72.85
Stage 8	-8.3	-184.77	-77.7
Stage 8	-8.5	-201.31	-82.71
Stage 8	-8.7	-218.89	-87.91
Stage 8	-8.9	-237.55	-93.29
Stage 8	-9	-247.3	-97.45
Stage 8	-9.2	-203.42	219.4
Stage 8	-9.4	-160.7	213.61
Stage 8	-9.6	-119.17	207.64
Stage 8	-9.8	-78.87	201.5
Stage 8	-10	-39.83	195.19
Stage 8	-10.2	-2.09	188.69
Stage 8	-10.4	34.25	181.7
Stage 8	-10.6	69.15	174.52
Stage 8	-10.8	102.58	167.16
Stage 8	-11	134.51	159.62
Stage 8	-11.2	164.89	151.91
Stage 8	-11.4	193.69	144.02
Stage 8	-11.6	220.88	135.95
Stage 8	-11.8	246.42	127.71
Stage 8	-12	270.28	119.29
Stage 8	-12.2	292.42	110.7
Stage 8	-12.4	312.81	101.94
Stage 8	-12.6	331.41	93
Stage 8	-12.8	348.19	83.9
Stage 8	-13	363.12	74.62
Stage 8	-13.2	376.15	65.18
Stage 8	-13.4	387.26	55.56
Stage 8	-13.6	396.42	45.78
Stage 8	-13.8	403.58	35.82
Stage 8	-14	408.73	25.71
Stage 8	-14.2	411.81	15.42
Stage 8	-14.4	412.8	4.97
Stage 8	-14.5	412.5	-3
Stage 8	-14.7	443.83	156.64
Stage 8	-14.9	472.99	145.78
Stage 8	-15.1	499.93	134.74
Stage 8	-15.3	524.66	123.61

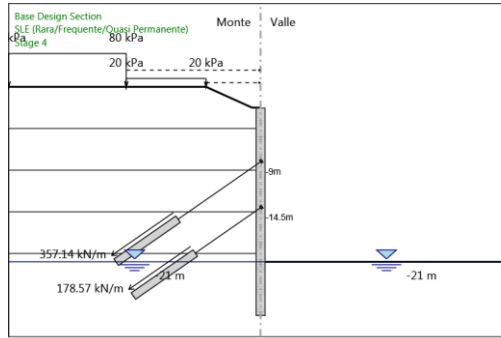
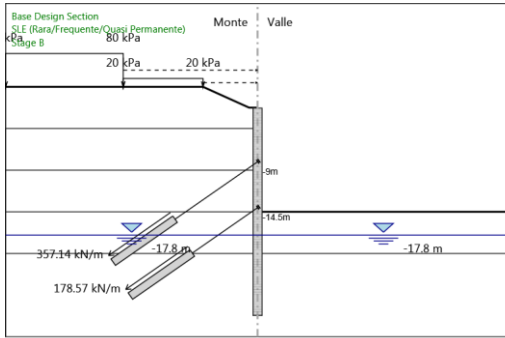
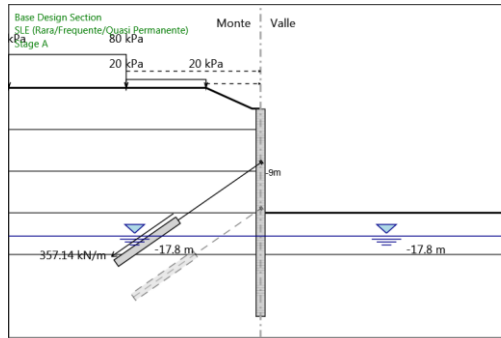
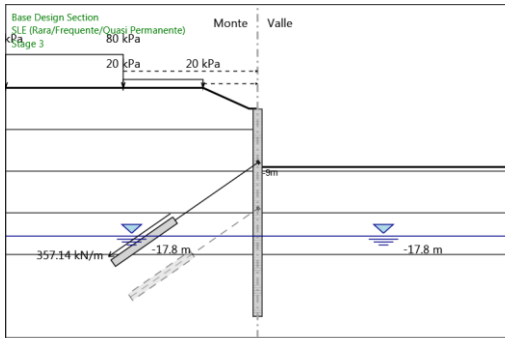
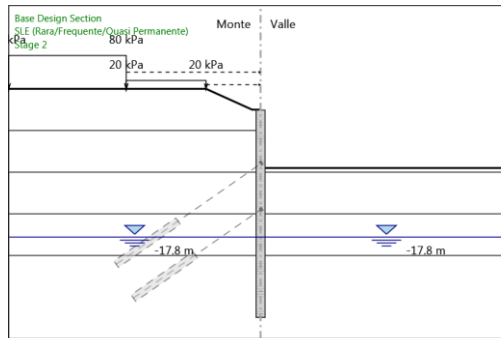
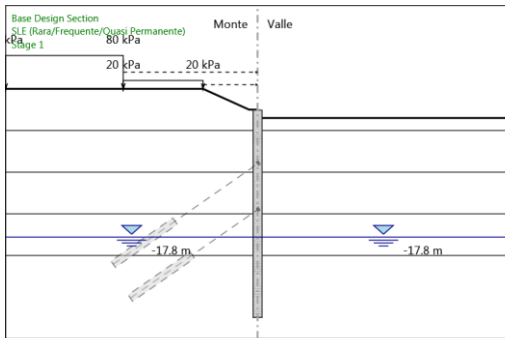
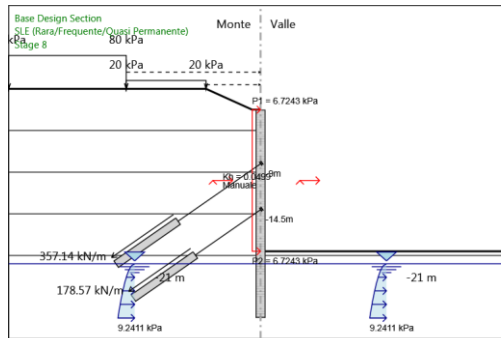
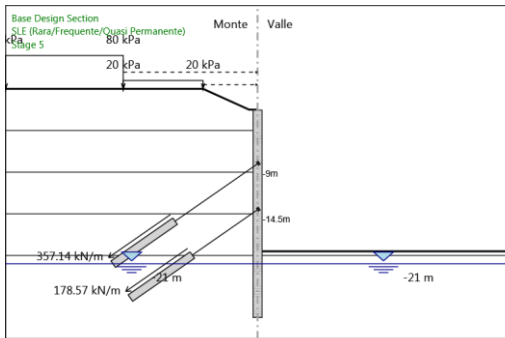
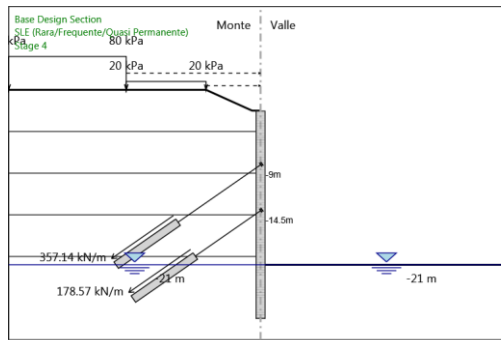
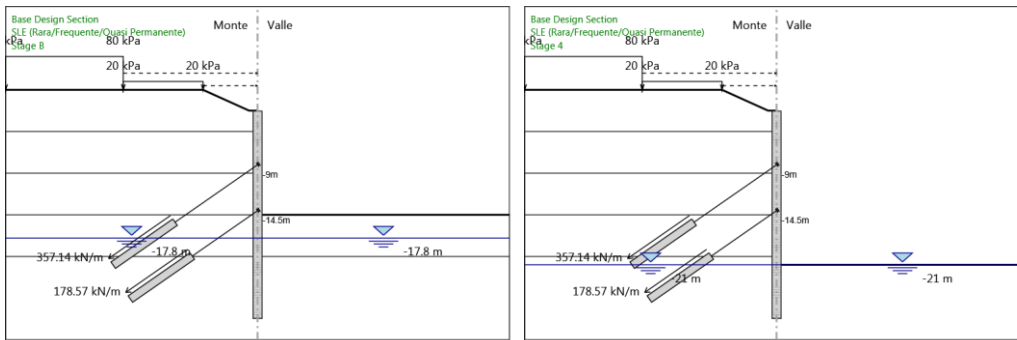
Design Assumption: SLE (Rara/Frequente/Quasi Permanente) Risultati Paratia		Muro: LEFT	
Stage	Z (m)	Momento (kN*m/m)	Taglio (kN/m)
Stage 8	-15.5	547.11	112.29
Stage 8	-15.7	567.28	100.81
Stage 8	-15.9	585.11	89.15
Stage 8	-16.1	600.57	77.33
Stage 8	-16.3	613.64	65.33
Stage 8	-16.5	624.27	53.17
Stage 8	-16.7	632.44	40.83
Stage 8	-16.9	638.1	28.34
Stage 8	-17.1	641.24	15.67
Stage 8	-17.3	641.81	2.84
Stage 8	-17.5	639.77	-10.16
Stage 8	-17.7	635.11	-23.32
Stage 8	-17.9	627.78	-36.65
Stage 8	-18.1	617.72	-50.31
Stage 8	-18.3	604.85	-64.36
Stage 8	-18.5	589.08	-78.83
Stage 8	-18.7	570.34	-93.71
Stage 8	-18.9	548.53	-109.03
Stage 8	-19.1	523.58	-124.78
Stage 8	-19.3	495.38	-140.99
Stage 8	-19.5	463.84	-157.67
Stage 8	-19.7	428.88	-174.83
Stage 8	-19.9	390.42	-192.29
Stage 8	-20.1	348.41	-210.08
Stage 8	-20.3	302.95	-227.28
Stage 8	-20.5	254.07	-244.4
Stage 8	-20.7	201.79	-261.39
Stage 8	-20.9	146.15	-278.22
Stage 8	-21.1	87.17	-294.89
Stage 8	-21.3	26.96	-301.02
Stage 8	-21.5	-34.02	-304.92
Stage 8	-21.7	-95.2	-305.88
Stage 8	-21.9	-155.92	-303.6
Stage 8	-22.1	-215.49	-297.88
Stage 8	-22.3	-273.21	-288.58
Stage 8	-22.5	-328.33	-275.62
Stage 8	-22.7	-380.11	-258.89
Stage 8	-22.9	-427.77	-238.33
Stage 8	-23.1	-470.55	-213.88
Stage 8	-23.3	-507.65	-185.49
Stage 8	-23.5	-538.27	-153.12
Stage 8	-23.7	-561.62	-116.73
Stage 8	-23.9	-577.04	-77.08
Stage 8	-24.1	-583.94	-34.49
Stage 8	-24.3	-581.47	12.33
Stage 8	-24.5	-569.19	61.42
Stage 8	-24.7	-547.5	108.41
Stage 8	-24.9	-516.82	153.43
Stage 8	-25.1	-477.59	196.15
Stage 8	-25.3	-431.61	229.88
Stage 8	-25.5	-380.96	253.27
Stage 8	-25.7	-327.57	266.91
Stage 8	-25.9	-273.3	271.37
Stage 8	-26.1	-219.88	267.09
Stage 8	-26.3	-168.99	254.48
Stage 8	-26.5	-122.22	233.84
Stage 8	-26.7	-81.13	205.42
Stage 8	-26.9	-47.26	169.39
Stage 8	-27.1	-21.78	127.4
Stage 8	-27.3	-5.69	80.42
Stage 8	-27.5	0	28.46

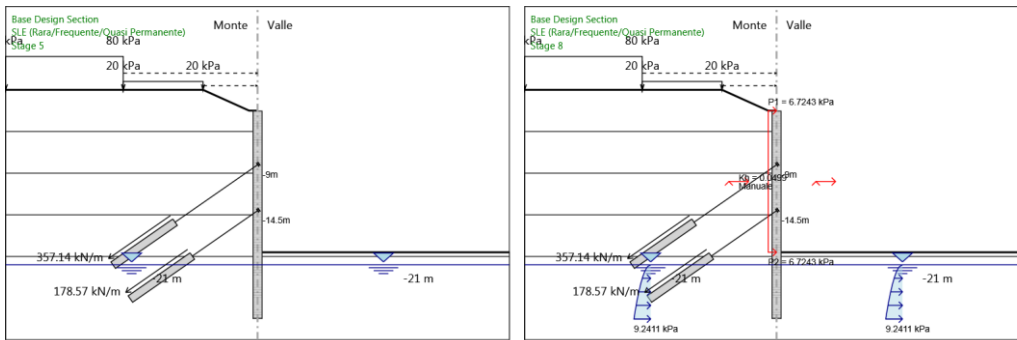
Tabella Grafici dei Risultati











Risultati Elementi strutturali - SLE (Rara/Frequente/Quasi Permanente)

Design Assumption: SLE (Rara/Frequente/Quasi Permanente) Sollecitazione Tieback

Stage	Forza (kN/m)
Stage 3	357.1
Stage A	360.4091
Stage B	360.4145
Stage 4	391.6797
Stage 5	391.9261
Stage 8	391.9321

Design Assumption: SLE (Rara/Frequente/Quasi Permanente) Sollecitazione Tieback_New

Stage	Forza (kN/m)
Stage B	178.6
Stage 4	204.5658
Stage 5	204.6803
Stage 8	204.6799

Risultati A1+M1+R1 (R3 per tiranti)

Tabella Risultati Paratia A1+M1+R1 (R3 per tiranti) - Left Wall - Stage: Stage 1

Design Assumption: A1+M1+R1 (R3 per tiranti) Risultati Paratia		Muro: LEFT	
Stage	Z (m)	Momento (kN*m/m)	Taglio (kN/m)
Stage 1	-2.5	0	-0.01
Stage 1	-2.7	0	-0.01
Stage 1	-2.9	-0.04	-0.19
Stage 1	-3.1	-0.15	-0.56
Stage 1	-3.3	-0.56	-2.06
Stage 1	-3.5	-1.53	-4.86
Stage 1	-3.7	-3.31	-8.9
Stage 1	-3.9	-4.83	-7.58
Stage 1	-4.1	-6.13	-6.51
Stage 1	-4.3	-7.26	-5.66
Stage 1	-4.5	-8.27	-5.03
Stage 1	-4.7	-9.19	-4.61
Stage 1	-4.9	-10.07	-4.39
Stage 1	-5.1	-10.94	-4.36
Stage 1	-5.3	-11.35	-2.06
Stage 1	-5.5	-11.39	-0.15
Stage 1	-5.7	-11.11	1.39
Stage 1	-5.9	-10.58	2.62
Stage 1	-6.1	-9.87	3.56
Stage 1	-6.3	-9.02	4.26
Stage 1	-6.5	-8.07	4.74
Stage 1	-6.7	-7.07	5.04
Stage 1	-6.9	-6.03	5.18
Stage 1	-7.1	-4.99	5.19
Stage 1	-7.3	-3.98	5.08
Stage 1	-7.5	-3	4.88
Stage 1	-7.7	-2.08	4.6
Stage 1	-7.9	-1.23	4.25
Stage 1	-8.1	-0.46	3.83
Stage 1	-8.3	0.21	3.35
Stage 1	-8.5	0.77	2.81
Stage 1	-8.7	1.21	2.22
Stage 1	-8.9	1.53	1.57
Stage 1	-9	1.63	1.03
Stage 1	-9.2	1.72	0.46
Stage 1	-9.4	1.65	-0.36
Stage 1	-9.6	1.4	-1.27
Stage 1	-9.8	0.94	-2.26
Stage 1	-10	0.28	-3.33
Stage 1	-10.2	-0.62	-4.5
Stage 1	-10.4	-1.29	-3.36
Stage 1	-10.6	-1.77	-2.37
Stage 1	-10.8	-2.08	-1.54
Stage 1	-11	-2.25	-0.85
Stage 1	-11.2	-2.3	-0.29
Stage 1	-11.4	-2.27	0.15
Stage 1	-11.6	-2.17	0.5
Stage 1	-11.8	-2.03	0.75
Stage 1	-12	-1.84	0.92
Stage 1	-12.2	-1.63	1.03
Stage 1	-12.4	-1.42	1.09
Stage 1	-12.6	-1.19	1.1
Stage 1	-12.8	-0.98	1.08
Stage 1	-13	-0.77	1.03
Stage 1	-13.2	-0.58	0.96
Stage 1	-13.4	-0.41	0.87
Stage 1	-13.6	-0.25	0.77
Stage 1	-13.8	-0.12	0.65
Stage 1	-14	-0.02	0.53
Stage 1	-14.2	0.06	0.39
Stage 1	-14.4	0.11	0.25
Stage 1	-14.5	0.12	0.13
Stage 1	-14.7	0.13	0.02
Stage 1	-14.9	0.1	-0.15

Design Assumption: A1+M1+R1 (R3 per tiranti) Risultati Paratia		Muro: LEFT	
Stage	Z (m)	Momento (kN*m/m)	Taglio (kN/m)
Stage 1	-15.1	0.03	-0.33
Stage 1	-15.3	-0.03	-0.3
Stage 1	-15.5	-0.09	-0.29
Stage 1	-15.7	-0.14	-0.28
Stage 1	-15.9	-0.2	-0.29
Stage 1	-16.1	-0.26	-0.31
Stage 1	-16.3	-0.33	-0.33
Stage 1	-16.5	-0.4	-0.37
Stage 1	-16.7	-0.48	-0.41
Stage 1	-16.9	-0.58	-0.46
Stage 1	-17.1	-0.68	-0.5
Stage 1	-17.3	-0.79	-0.54
Stage 1	-17.5	-0.9	-0.58
Stage 1	-17.7	-1.02	-0.6
Stage 1	-17.9	-1.14	-0.6
Stage 1	-18.1	-1.26	-0.58
Stage 1	-18.3	-1.36	-0.53
Stage 1	-18.5	-1.45	-0.43
Stage 1	-18.7	-1.51	-0.29
Stage 1	-18.9	-1.52	-0.09
Stage 1	-19.1	-1.49	0.18
Stage 1	-19.3	-1.38	0.53
Stage 1	-19.5	-1.19	0.96
Stage 1	-19.7	-0.89	1.49
Stage 1	-19.9	-0.47	2.11
Stage 1	-20.1	0.1	2.85
Stage 1	-20.3	0.54	2.22
Stage 1	-20.5	0.88	1.66
Stage 1	-20.7	1.11	1.18
Stage 1	-20.9	1.27	0.78
Stage 1	-21.1	1.36	0.44
Stage 1	-21.3	1.39	0.16
Stage 1	-21.5	1.38	-0.06
Stage 1	-21.7	1.33	-0.23
Stage 1	-21.9	1.26	-0.36
Stage 1	-22.1	1.17	-0.45
Stage 1	-22.3	1.07	-0.51
Stage 1	-22.5	0.96	-0.54
Stage 1	-22.7	0.85	-0.55
Stage 1	-22.9	0.74	-0.54
Stage 1	-23.1	0.64	-0.52
Stage 1	-23.3	0.54	-0.49
Stage 1	-23.5	0.45	-0.45
Stage 1	-23.7	0.37	-0.41
Stage 1	-23.9	0.29	-0.37
Stage 1	-24.1	0.23	-0.32
Stage 1	-24.3	0.17	-0.28
Stage 1	-24.5	0.13	-0.24
Stage 1	-24.7	0.09	-0.2
Stage 1	-24.9	0.05	-0.16
Stage 1	-25.1	0.03	-0.12
Stage 1	-25.3	0.01	-0.09
Stage 1	-25.5	0	-0.07
Stage 1	-25.7	-0.01	-0.04
Stage 1	-25.9	-0.02	-0.02
Stage 1	-26.1	-0.02	-0.01
Stage 1	-26.3	-0.02	0
Stage 1	-26.5	-0.02	0.01
Stage 1	-26.7	-0.01	0.02
Stage 1	-26.9	-0.01	0.02
Stage 1	-27.1	0	0.02
Stage 1	-27.3	0	0.01
Stage 1	-27.5	0	0.01

Tabella Risultati Paratia A1+M1+R1 (R3 per tiranti) - Left Wall - Stage: Stage 2

Design Assumption: A1+M1+R1 (R3 per tiranti) Risultati Paratia		Muro: LEFT	
Stage	Z (m)	Momento (kN*m/m)	Taglio (kN/m)
Stage 2	-2.5	0	-0.01
Stage 2	-2.7	0	-0.01
Stage 2	-2.7	0	-0.01
Stage 2	-2.9	-0.04	-0.19
Stage 2	-3.1	-0.15	-0.56
Stage 2	-3.3	-0.37	-1.1
Stage 2	-3.5	-0.74	-1.83
Stage 2	-3.7	-1.28	-2.74
Stage 2	-3.9	-2.05	-3.85
Stage 2	-4.1	-3.08	-5.15
Stage 2	-4.3	-4.41	-6.65
Stage 2	-4.5	-6.08	-8.35
Stage 2	-4.7	-8.14	-10.26
Stage 2	-4.9	-10.61	-12.37
Stage 2	-5.1	-13.55	-14.68
Stage 2	-5.3	-17.06	-17.56
Stage 2	-5.5	-21.19	-20.67
Stage 2	-5.7	-25.99	-24
Stage 2	-5.9	-31.51	-27.58
Stage 2	-6.1	-37.78	-31.37
Stage 2	-6.3	-44.86	-35.4
Stage 2	-6.5	-52.79	-39.66
Stage 2	-6.7	-61.63	-44.15
Stage 2	-6.9	-71.4	-48.87
Stage 2	-7.1	-82.16	-53.82
Stage 2	-7.3	-93.96	-58.99
Stage 2	-7.5	-106.84	-64.41
Stage 2	-7.7	-120.85	-70.03
Stage 2	-7.9	-136.03	-75.9
Stage 2	-8.1	-152.43	-81.99
Stage 2	-8.3	-170.09	-88.31
Stage 2	-8.5	-189.06	-94.85
Stage 2	-8.7	-209.39	-101.65
Stage 2	-8.9	-231.12	-108.66
Stage 2	-9	-242.53	-114.1
Stage 2	-9.2	-266.46	-119.62
Stage 2	-9.4	-291.9	-127.22
Stage 2	-9.6	-318.91	-135.04
Stage 2	-9.8	-346.46	-137.74
Stage 2	-10	-372.45	-129.96
Stage 2	-10.2	-394.79	-111.7
Stage 2	-10.4	-412.14	-86.77
Stage 2	-10.6	-422.77	-53.16
Stage 2	-10.8	-426.86	-20.42
Stage 2	-11	-424.55	11.54
Stage 2	-11.2	-415.98	42.85
Stage 2	-11.4	-401.39	72.94
Stage 2	-11.6	-381.34	100.29
Stage 2	-11.8	-357.27	120.32
Stage 2	-12	-330.47	134.02
Stage 2	-12.2	-302.01	142.31
Stage 2	-12.4	-272.79	146.08
Stage 2	-12.6	-243.57	146.1
Stage 2	-12.8	-214.95	143.09
Stage 2	-13	-187.41	137.7
Stage 2	-13.2	-161.32	130.47
Stage 2	-13.4	-136.94	121.91
Stage 2	-13.6	-114.45	112.43
Stage 2	-13.8	-93.97	102.4
Stage 2	-14	-75.55	92.11
Stage 2	-14.2	-59.19	81.8
Stage 2	-14.4	-44.85	71.68
Stage 2	-14.5	-38.42	64.35
Stage 2	-14.7	-26.98	57.17
Stage 2	-14.9	-17.37	48.09
Stage 2	-15.1	-9.45	39.58
Stage 2	-15.3	-2.99	32.29

Design Assumption: A1+M1+R1 (R3 per tiranti) Risultati Paratia		Muro: LEFT	
Stage	Z (m)	Momento (kN*m/m)	Taglio (kN/m)
Stage 2	-15.5	2.14	25.66
Stage 2	-15.7	6.08	19.7
Stage 2	-15.9	8.96	14.4
Stage 2	-16.1	10.91	9.74
Stage 2	-16.3	12.05	5.7
Stage 2	-16.5	12.5	2.25
Stage 2	-16.7	12.37	-0.65
Stage 2	-16.9	11.76	-3.04
Stage 2	-17.1	10.77	-4.95
Stage 2	-17.3	9.49	-6.4
Stage 2	-17.5	8.01	-7.44
Stage 2	-17.7	6.39	-8.07
Stage 2	-17.9	4.72	-8.34
Stage 2	-18.1	3.07	-8.25
Stage 2	-18.3	1.51	-7.82
Stage 2	-18.5	0.1	-7.07
Stage 2	-18.7	-1.1	-5.98
Stage 2	-18.9	-2.01	-4.56
Stage 2	-19.1	-2.57	-2.8
Stage 2	-19.3	-2.71	-0.68
Stage 2	-19.5	-2.35	1.81
Stage 2	-19.7	-1.41	4.67
Stage 2	-19.9	0.17	7.92
Stage 2	-20.1	2.49	11.57
Stage 2	-20.3	4.31	9.13
Stage 2	-20.5	5.71	6.97
Stage 2	-20.7	6.72	5.08
Stage 2	-20.9	7.42	3.46
Stage 2	-21.1	7.83	2.07
Stage 2	-21.3	8.01	0.9
Stage 2	-21.5	8	-0.06
Stage 2	-21.7	7.83	-0.83
Stage 2	-21.9	7.54	-1.45
Stage 2	-22.1	7.16	-1.91
Stage 2	-22.3	6.71	-2.25
Stage 2	-22.5	6.21	-2.48
Stage 2	-22.7	5.69	-2.61
Stage 2	-22.9	5.16	-2.67
Stage 2	-23.1	4.63	-2.66
Stage 2	-23.3	4.11	-2.6
Stage 2	-23.5	3.61	-2.5
Stage 2	-23.7	3.13	-2.36
Stage 2	-23.9	2.69	-2.21
Stage 2	-24.1	2.29	-2.03
Stage 2	-24.3	1.92	-1.85
Stage 2	-24.5	1.58	-1.66
Stage 2	-24.7	1.29	-1.48
Stage 2	-24.9	1.03	-1.29
Stage 2	-25.1	0.81	-1.11
Stage 2	-25.3	0.62	-0.95
Stage 2	-25.5	0.46	-0.79
Stage 2	-25.7	0.33	-0.64
Stage 2	-25.9	0.23	-0.51
Stage 2	-26.1	0.15	-0.4
Stage 2	-26.3	0.09	-0.29
Stage 2	-26.5	0.05	-0.2
Stage 2	-26.7	0.02	-0.13
Stage 2	-26.9	0.01	-0.07
Stage 2	-27.1	0	-0.03
Stage 2	-27.3	0	-0.01
Stage 2	-27.5	0	0

Tabella Risultati Paratia A1+M1+R1 (R3 per tiranti) - Left Wall - Stage: Stage 3

Design Assumption: A1+M1+R1 (R3 per tiranti) Risultati Paratia		Muro: LEFT	
Stage	Z (m)	Momento (kN*m/m)	Taglio (kN/m)
Stage 3	-2.5	0	-0.01
Stage 3	-2.7	0	-0.01
Stage 3	-2.7	0	-0.01
Stage 3	-2.9	-0.04	-0.19
Stage 3	-3.1	-0.15	-0.56
Stage 3	-3.3	-0.37	-1.1
Stage 3	-3.5	-0.74	-1.83
Stage 3	-3.7	-1.28	-2.74
Stage 3	-3.9	-2.05	-3.85
Stage 3	-4.1	-3.08	-5.15
Stage 3	-4.3	-4.41	-6.65
Stage 3	-4.5	-6.08	-8.35
Stage 3	-4.7	-8.14	-10.26
Stage 3	-4.9	-10.61	-12.37
Stage 3	-5.1	-13.55	-14.68
Stage 3	-5.3	-17.16	-18.07
Stage 3	-5.5	-21.68	-22.58
Stage 3	-5.7	-27.31	-28.19
Stage 3	-5.9	-34.3	-34.92
Stage 3	-6.1	-42.85	-42.75
Stage 3	-6.3	-53.18	-51.69
Stage 3	-6.5	-65.53	-61.73
Stage 3	-6.7	-80.11	-72.87
Stage 3	-6.9	-97.12	-85.09
Stage 3	-7.1	-116.8	-98.37
Stage 3	-7.3	-139.33	-112.68
Stage 3	-7.5	-164.93	-128.01
Stage 3	-7.7	-193.79	-144.28
Stage 3	-7.9	-226.09	-161.47
Stage 3	-8.1	-261.98	-179.48
Stage 3	-8.3	-301.63	-198.25
Stage 3	-8.5	-345.16	-217.65
Stage 3	-8.7	-392.68	-237.59
Stage 3	-8.9	-444.26	-257.88
Stage 3	-9	-471.58	-273.26
Stage 3	-9.2	-453.26	91.64
Stage 3	-9.4	-439.01	71.23
Stage 3	-9.6	-428.78	51.13
Stage 3	-9.8	-422.41	31.85
Stage 3	-10	-417.58	24.15
Stage 3	-10.2	-411.96	28.13
Stage 3	-10.4	-406.39	27.85
Stage 3	-10.6	-398.64	38.75
Stage 3	-10.8	-388.39	51.25
Stage 3	-11	-375.3	65.41
Stage 3	-11.2	-359.06	81.24
Stage 3	-11.4	-339.45	98.05
Stage 3	-11.6	-316.61	114.16
Stage 3	-11.8	-291.65	124.83
Stage 3	-12	-265.47	130.89
Stage 3	-12.2	-238.85	133.08
Stage 3	-12.4	-212.43	132.11
Stage 3	-12.6	-186.71	128.6
Stage 3	-12.8	-162.09	123.1
Stage 3	-13	-138.87	116.1
Stage 3	-13.2	-117.27	108.03
Stage 3	-13.4	-97.42	99.24
Stage 3	-13.6	-79.41	90.05
Stage 3	-13.8	-63.27	80.7
Stage 3	-14	-48.99	71.41
Stage 3	-14.2	-36.52	62.34
Stage 3	-14.4	-25.8	53.6
Stage 3	-14.5	-21.06	47.38
Stage 3	-14.7	-12.79	41.34
Stage 3	-14.9	-6.03	33.8
Stage 3	-15.1	-0.67	26.82
Stage 3	-15.3	3.55	21.09

Design Assumption: A1+M1+R1 (R3 per tiranti) Risultati Paratia		Muro: LEFT	
Stage	Z (m)	Momento (kN*m/m)	Taglio (kN/m)
Stage 3	-15.5	6.74	15.96
Stage 3	-15.7	9.02	11.41
Stage 3	-15.9	10.51	7.42
Stage 3	-16.1	11.3	3.97
Stage 3	-16.3	11.5	1.02
Stage 3	-16.5	11.21	-1.46
Stage 3	-16.7	10.51	-3.5
Stage 3	-16.9	9.48	-5.13
Stage 3	-17.1	8.21	-6.38
Stage 3	-17.3	6.75	-7.28
Stage 3	-17.5	5.18	-7.85
Stage 3	-17.7	3.56	-8.11
Stage 3	-17.9	1.95	-8.06
Stage 3	-18.1	0.4	-7.73
Stage 3	-18.3	-1.03	-7.13
Stage 3	-18.5	-2.27	-6.24
Stage 3	-18.7	-3.29	-5.07
Stage 3	-18.9	-4.01	-3.6
Stage 3	-19.1	-4.37	-1.81
Stage 3	-19.3	-4.31	0.3
Stage 3	-19.5	-3.76	2.75
Stage 3	-19.7	-2.65	5.56
Stage 3	-19.9	-0.9	8.75
Stage 3	-20.1	1.57	12.33
Stage 3	-20.3	3.54	9.84
Stage 3	-20.5	5.06	7.62
Stage 3	-20.7	6.2	5.67
Stage 3	-20.9	6.99	3.99
Stage 3	-21.1	7.5	2.54
Stage 3	-21.3	7.76	1.32
Stage 3	-21.5	7.83	0.31
Stage 3	-21.7	7.72	-0.52
Stage 3	-21.9	7.49	-1.18
Stage 3	-22.1	7.15	-1.69
Stage 3	-22.3	6.73	-2.07
Stage 3	-22.5	6.27	-2.33
Stage 3	-22.7	5.77	-2.5
Stage 3	-22.9	5.25	-2.58
Stage 3	-23.1	4.73	-2.6
Stage 3	-23.3	4.22	-2.56
Stage 3	-23.5	3.72	-2.48
Stage 3	-23.7	3.25	-2.36
Stage 3	-23.9	2.81	-2.22
Stage 3	-24.1	2.4	-2.05
Stage 3	-24.3	2.02	-1.88
Stage 3	-24.5	1.68	-1.7
Stage 3	-24.7	1.38	-1.52
Stage 3	-24.9	1.11	-1.33
Stage 3	-25.1	0.88	-1.16
Stage 3	-25.3	0.68	-0.99
Stage 3	-25.5	0.51	-0.84
Stage 3	-25.7	0.38	-0.69
Stage 3	-25.9	0.26	-0.56
Stage 3	-26.1	0.18	-0.44
Stage 3	-26.3	0.11	-0.33
Stage 3	-26.5	0.06	-0.24
Stage 3	-26.7	0.03	-0.16
Stage 3	-26.9	0.01	-0.1
Stage 3	-27.1	0	-0.05
Stage 3	-27.3	0	-0.02
Stage 3	-27.5	0	0

Tabella Risultati Paratia A1+M1+R1 (R3 per tiranti) - Left Wall - Stage: Stage A

Design Assumption: A1+M1+R1 (R3 per tiranti) Risultati Paratia		Muro: LEFT	
Stage	Z (m)	Momento (kN*m/m)	Taglio (kN/m)
Stage A	-2.5	0	-0.46
Stage A	-2.7	-0.09	-0.46
Stage A	-2.9	-0.96	-4.34
Stage A	-2.9	-0.96	-4.34
Stage A	-3.1	-2.68	-8.61
Stage A	-3.3	-5.23	-12.76
Stage A	-3.5	-8.59	-16.8
Stage A	-3.7	-12.74	-20.72
Stage A	-3.9	-17.65	-24.55
Stage A	-4.1	-23.3	-28.26
Stage A	-4.3	-29.67	-31.87
Stage A	-4.5	-36.75	-35.37
Stage A	-4.7	-44.5	-38.77
Stage A	-4.9	-52.91	-42.04
Stage A	-5.1	-61.95	-45.19
Stage A	-5.3	-71.91	-49.8
Stage A	-5.5	-82.84	-54.67
Stage A	-5.7	-94.8	-59.76
Stage A	-5.9	-107.81	-65.06
Stage A	-6.1	-121.91	-70.5
Stage A	-6.3	-137.12	-76.08
Stage A	-6.5	-153.46	-81.71
Stage A	-6.7	-170.94	-87.36
Stage A	-6.9	-189.53	-92.96
Stage A	-7.1	-209.22	-98.46
Stage A	-7.3	-229.97	-103.77
Stage A	-7.5	-251.81	-109.18
Stage A	-7.7	-274.77	-114.81
Stage A	-7.9	-298.91	-120.68
Stage A	-8.1	-324.26	-126.76
Stage A	-8.3	-350.88	-133.08
Stage A	-8.5	-378.8	-139.63
Stage A	-8.7	-408.09	-146.42
Stage A	-8.9	-438.77	-153.43
Stage A	-9	-454.66	-158.88
Stage A	-9.2	-410.77	219.46
Stage A	-9.4	-368.4	211.86
Stage A	-9.6	-327.59	204.04
Stage A	-9.8	-288.39	195.99
Stage A	-10	-250.85	187.72
Stage A	-10.2	-215	179.21
Stage A	-10.4	-180.99	170.04
Stage A	-10.6	-148.87	160.63
Stage A	-10.8	-118.67	151
Stage A	-11	-90.44	141.13
Stage A	-11.2	-64.24	131.03
Stage A	-11.4	-40.1	120.71
Stage A	-11.6	-18.06	110.16
Stage A	-11.8	1.81	99.38
Stage A	-12	19.49	88.38
Stage A	-12.2	34.92	77.15
Stage A	-12.4	48.06	65.7
Stage A	-12.6	58.87	54.02
Stage A	-12.8	67.29	42.13
Stage A	-13	73.29	30
Stage A	-13.2	76.82	17.66
Stage A	-13.4	77.84	5.1
Stage A	-13.6	76.31	-7.68
Stage A	-13.8	72.17	-20.69
Stage A	-14	65.39	-33.91
Stage A	-14.2	55.92	-47.35
Stage A	-14.4	43.71	-61.01
Stage A	-14.5	36.57	-71.42
Stage A	-14.7	20.19	-81.92
Stage A	-14.9	0.96	-96.12
Stage A	-15.1	-21.15	-110.55
Stage A	-15.3	-45.14	-119.97

Design Assumption: A1+M1+R1 (R3 per tiranti) Risultati Paratia		Muro: LEFT	
Stage	Z (m)	Momento (kN*m/m)	Taglio (kN/m)
Stage A	-15.5	-69.01	-119.34
Stage A	-15.7	-90.74	-108.64
Stage A	-15.9	-108.59	-89.3
Stage A	-16.1	-122.4	-69.02
Stage A	-16.3	-132.59	-50.97
Stage A	-16.5	-139.61	-35.09
Stage A	-16.7	-143.86	-21.25
Stage A	-16.9	-145.73	-9.33
Stage A	-17.1	-145.56	0.83
Stage A	-17.3	-143.68	9.41
Stage A	-17.5	-140.36	16.58
Stage A	-17.7	-135.85	22.55
Stage A	-17.9	-130.36	27.48
Stage A	-18.1	-124.06	31.51
Stage A	-18.3	-117.1	34.76
Stage A	-18.5	-109.62	37.42
Stage A	-18.7	-101.68	39.68
Stage A	-18.9	-93.34	41.71
Stage A	-19.1	-84.61	43.67
Stage A	-19.3	-75.46	45.71
Stage A	-19.5	-65.87	47.98
Stage A	-19.7	-55.75	50.58
Stage A	-19.9	-45.02	53.64
Stage A	-20.1	-33.57	57.25
Stage A	-20.3	-23.59	49.9
Stage A	-20.5	-14.98	43.05
Stage A	-20.7	-7.64	36.73
Stage A	-20.9	-1.45	30.93
Stage A	-21.1	3.68	25.65
Stage A	-21.3	7.86	20.89
Stage A	-21.5	11.18	16.63
Stage A	-21.7	13.75	12.84
Stage A	-21.9	15.65	9.5
Stage A	-22.1	16.97	6.59
Stage A	-22.3	17.78	4.07
Stage A	-22.5	18.17	1.92
Stage A	-22.7	18.18	0.1
Stage A	-22.9	17.9	-1.42
Stage A	-23.1	17.37	-2.66
Stage A	-23.3	16.64	-3.66
Stage A	-23.5	15.75	-4.43
Stage A	-23.7	14.75	-5.02
Stage A	-23.9	13.66	-5.43
Stage A	-24.1	12.52	-5.69
Stage A	-24.3	11.36	-5.82
Stage A	-24.5	10.19	-5.84
Stage A	-24.7	9.04	-5.77
Stage A	-24.9	7.91	-5.62
Stage A	-25.1	6.83	-5.39
Stage A	-25.3	5.81	-5.12
Stage A	-25.5	4.85	-4.79
Stage A	-25.7	3.97	-4.43
Stage A	-25.9	3.16	-4.03
Stage A	-26.1	2.44	-3.61
Stage A	-26.3	1.8	-3.17
Stage A	-26.5	1.26	-2.72
Stage A	-26.7	0.81	-2.24
Stage A	-26.9	0.46	-1.76
Stage A	-27.1	0.2	-1.27
Stage A	-27.3	0.05	-0.77
Stage A	-27.5	0	-0.26

Tabella Risultati Paratia A1+M1+R1 (R3 per tiranti) - Left Wall - Stage: Stage B

Design Assumption: A1+M1+R1 (R3 per tiranti) Risultati Paratia		Muro: LEFT	
Stage	Z (m)	Momento (kN*m/m)	Taglio (kN/m)
Stage B	-2.5	0	-0.43
Stage B	-2.7	-0.09	-0.43
Stage B	-2.9	-0.94	-4.27
Stage B	-3.1	-2.64	-8.48
Stage B	-3.3	-5.15	-12.57
Stage B	-3.5	-8.46	-16.55
Stage B	-3.7	-12.54	-20.4
Stage B	-3.9	-17.37	-24.15
Stage B	-4.1	-22.93	-27.78
Stage B	-4.3	-29.19	-31.31
Stage B	-4.5	-36.13	-34.72
Stage B	-4.7	-43.74	-38.01
Stage B	-4.9	-51.97	-41.18
Stage B	-5.1	-60.82	-44.23
Stage B	-5.3	-70.53	-48.56
Stage B	-5.5	-81.16	-53.15
Stage B	-5.7	-92.75	-57.94
Stage B	-5.9	-105.33	-62.94
Stage B	-6.1	-118.95	-68.07
Stage B	-6.3	-133.61	-73.32
Stage B	-6.5	-149.34	-78.63
Stage B	-6.7	-166.13	-83.96
Stage B	-6.9	-183.98	-89.23
Stage B	-7.1	-202.86	-94.41
Stage B	-7.3	-222.77	-99.58
Stage B	-7.5	-243.77	-104.99
Stage B	-7.7	-265.9	-110.62
Stage B	-7.9	-289.19	-116.49
Stage B	-8.1	-313.71	-122.57
Stage B	-8.3	-339.49	-128.9
Stage B	-8.5	-366.57	-135.44
Stage B	-8.7	-395.02	-142.23
Stage B	-8.9	-424.87	-149.24
Stage B	-9	-440.34	-154.69
Stage B	-9.2	-395.61	223.66
Stage B	-9.4	-352.4	216.04
Stage B	-9.6	-310.77	208.13
Stage B	-9.8	-270.79	199.91
Stage B	-10	-232.51	191.38
Stage B	-10.2	-196.01	182.52
Stage B	-10.4	-161.52	172.47
Stage B	-10.6	-129.13	161.95
Stage B	-10.8	-98.93	150.96
Stage B	-11	-71.04	139.48
Stage B	-11.2	-45.54	127.48
Stage B	-11.4	-22.55	114.95
Stage B	-11.6	-2.18	101.87
Stage B	-11.8	15.47	88.22
Stage B	-12	30.26	73.99
Stage B	-12.2	42.09	59.16
Stage B	-12.4	50.84	43.73
Stage B	-12.6	56.38	27.67
Stage B	-12.8	58.58	11.01
Stage B	-13	57.32	-6.27
Stage B	-13.2	52.49	-24.15
Stage B	-13.4	43.97	-42.61
Stage B	-13.6	31.65	-61.63
Stage B	-13.8	15.41	-81.18
Stage B	-14	-4.83	-101.21
Stage B	-14.2	-29.16	-121.65
Stage B	-14.4	-57.65	-142.44
Stage B	-14.5	-73.47	-158.23
Stage B	-14.7	-70.25	16.1
Stage B	-14.9	-71.28	-5.14
Stage B	-15.1	-76.56	-26.4
Stage B	-15.3	-85.72	-45.8
Stage B	-15.5	-96.65	-54.64

Design Assumption: A1+M1+R1 (R3 per tiranti) Risultati Paratia		Muro: LEFT	
Stage	Z (m)	Momento (kN*m/m)	Taglio (kN/m)
Stage B	-15.7	-107.21	-52.82
Stage B	-15.9	-115.56	-41.74
Stage B	-16.1	-121.38	-29.08
Stage B	-16.3	-124.97	-17.98
Stage B	-16.5	-126.65	-8.38
Stage B	-16.7	-126.69	-0.19
Stage B	-16.9	-125.35	6.71
Stage B	-17.1	-122.85	12.46
Stage B	-17.3	-119.41	17.2
Stage B	-17.5	-115.2	21.07
Stage B	-17.7	-110.35	24.23
Stage B	-17.9	-104.99	26.81
Stage B	-18.1	-99.21	28.91
Stage B	-18.3	-93.08	30.61
Stage B	-18.5	-86.67	32.06
Stage B	-18.7	-79.99	33.42
Stage B	-18.9	-73.03	34.81
Stage B	-19.1	-65.75	36.36
Stage B	-19.3	-58.11	38.2
Stage B	-19.5	-50.03	40.44
Stage B	-19.7	-41.39	43.16
Stage B	-19.9	-32.1	46.46
Stage B	-20.1	-22.02	50.4
Stage B	-20.3	-13.35	43.35
Stage B	-20.5	-5.98	36.85
Stage B	-20.7	0.2	30.9
Stage B	-20.9	5.3	25.49
Stage B	-21.1	9.43	20.63
Stage B	-21.3	12.68	16.28
Stage B	-21.5	15.17	12.43
Stage B	-21.7	16.98	9.05
Stage B	-21.9	18.2	6.11
Stage B	-22.1	18.91	3.58
Stage B	-22.3	19.2	1.43
Stage B	-22.5	19.12	-0.38
Stage B	-22.7	18.75	-1.88
Stage B	-22.9	18.13	-3.09
Stage B	-23.1	17.32	-4.05
Stage B	-23.3	16.36	-4.79
Stage B	-23.5	15.3	-5.33
Stage B	-23.7	14.16	-5.7
Stage B	-23.9	12.97	-5.92
Stage B	-24.1	11.77	-6.01
Stage B	-24.3	10.57	-5.99
Stage B	-24.5	9.4	-5.88
Stage B	-24.7	8.26	-5.7
Stage B	-24.9	7.17	-5.45
Stage B	-25.1	6.14	-5.16
Stage B	-25.3	5.17	-4.82
Stage B	-25.5	4.28	-4.45
Stage B	-25.7	3.47	-4.06
Stage B	-25.9	2.74	-3.65
Stage B	-26.1	2.1	-3.23
Stage B	-26.3	1.54	-2.8
Stage B	-26.5	1.06	-2.36
Stage B	-26.7	0.68	-1.93
Stage B	-26.9	0.38	-1.49
Stage B	-27.1	0.17	-1.06
Stage B	-27.3	0.04	-0.63
Stage B	-27.5	0	-0.21

Tabella Risultati Paratia A1+M1+R1 (R3 per tiranti) - Left Wall - Stage: Stage 4

Design Assumption: A1+M1+R1 (R3 per tiranti) Risultati Paratia		Muro: LEFT	
Stage	Z (m)	Momento (kN*m/m)	Taglio (kN/m)
Stage 4	-2.5	0	-0.01
Stage 4	-2.7	0	-0.01
Stage 4	-2.7	0	-0.01
Stage 4	-2.9	-1.04	-5.2
Stage 4	-3.1	-3.11	-10.32
Stage 4	-3.3	-5.77	-13.33
Stage 4	-3.5	-8.61	-14.22
Stage 4	-3.7	-11.64	-15.13
Stage 4	-3.9	-14.89	-16.24
Stage 4	-4.1	-18.4	-17.54
Stage 4	-4.3	-22.2	-19.04
Stage 4	-4.5	-26.35	-20.74
Stage 4	-4.7	-30.88	-22.65
Stage 4	-4.9	-35.83	-24.75
Stage 4	-5.1	-41.25	-27.07
Stage 4	-5.3	-47.24	-29.95
Stage 4	-5.5	-53.85	-33.06
Stage 4	-5.7	-61.13	-36.39
Stage 4	-5.9	-69.12	-39.96
Stage 4	-6.1	-77.87	-43.76
Stage 4	-6.3	-87.43	-47.79
Stage 4	-6.5	-97.84	-52.05
Stage 4	-6.7	-109.15	-56.54
Stage 4	-6.9	-121.4	-61.26
Stage 4	-7.1	-134.64	-66.21
Stage 4	-7.3	-148.91	-71.38
Stage 4	-7.5	-164.27	-76.79
Stage 4	-7.7	-180.76	-82.42
Stage 4	-7.9	-198.42	-88.29
Stage 4	-8.1	-217.29	-94.38
Stage 4	-8.3	-237.43	-100.7
Stage 4	-8.5	-258.88	-107.24
Stage 4	-8.7	-281.69	-114.03
Stage 4	-8.9	-305.89	-121.05
Stage 4	-9	-318.54	-126.49
Stage 4	-9.2	-261.34	286.02
Stage 4	-9.4	-205.66	278.42
Stage 4	-9.6	-151.54	270.6
Stage 4	-9.8	-99.03	262.55
Stage 4	-10	-48.17	254.27
Stage 4	-10.2	0.98	245.77
Stage 4	-10.4	48.3	236.6
Stage 4	-10.6	93.74	227.19
Stage 4	-10.8	137.25	217.56
Stage 4	-11	178.79	207.69
Stage 4	-11.2	218.31	197.59
Stage 4	-11.4	255.76	187.27
Stage 4	-11.6	291.1	176.72
Stage 4	-11.8	324.29	165.94
Stage 4	-12	355.28	154.94
Stage 4	-12.2	384.02	143.71
Stage 4	-12.4	410.47	132.26
Stage 4	-12.6	434.59	120.58
Stage 4	-12.8	456.33	108.69
Stage 4	-13	475.64	96.56
Stage 4	-13.2	492.48	84.22
Stage 4	-13.4	506.82	71.66
Stage 4	-13.6	518.59	58.87
Stage 4	-13.8	527.76	45.87
Stage 4	-14	534.29	32.65
Stage 4	-14.2	538.13	19.21
Stage 4	-14.4	539.24	5.55
Stage 4	-14.5	538.76	-4.87
Stage 4	-14.7	579.37	203.06
Stage 4	-14.9	617.14	188.86
Stage 4	-15.1	652.03	174.43
Stage 4	-15.3	684	159.87

Design Assumption: A1+M1+R1 (R3 per tiranti) Risultati Paratia		Muro: LEFT	
Stage	Z (m)	Momento (kN*m/m)	Taglio (kN/m)
Stage 4	-15.5	713.02	145.08
Stage 4	-15.7	739.03	130.06
Stage 4	-15.9	761.99	114.82
Stage 4	-16.1	781.86	99.35
Stage 4	-16.3	798.6	83.66
Stage 4	-16.5	812.15	67.76
Stage 4	-16.7	822.47	51.63
Stage 4	-16.9	829.53	35.29
Stage 4	-17.1	833.28	18.73
Stage 4	-17.3	833.67	1.96
Stage 4	-17.5	830.67	-15.03
Stage 4	-17.7	824.22	-32.23
Stage 4	-17.9	814.29	-49.66
Stage 4	-18.1	800.83	-67.29
Stage 4	-18.3	783.8	-85.15
Stage 4	-18.5	763.16	-103.22
Stage 4	-18.7	738.86	-121.5
Stage 4	-18.9	710.86	-140
Stage 4	-19.1	679.11	-158.72
Stage 4	-19.3	643.58	-177.65
Stage 4	-19.5	604.22	-196.82
Stage 4	-19.7	560.98	-216.22
Stage 4	-19.9	513.81	-235.85
Stage 4	-20.1	462.67	-255.69
Stage 4	-20.3	407.51	-275.78
Stage 4	-20.5	348.29	-296.09
Stage 4	-20.7	284.96	-316.63
Stage 4	-20.9	217.48	-337.4
Stage 4	-21.1	145.8	-358.4
Stage 4	-21.3	70.45	-376.79
Stage 4	-21.5	-7.5	-389.74
Stage 4	-21.7	-86.95	-397.26
Stage 4	-21.9	-166.82	-399.34
Stage 4	-22.1	-246.02	-395.98
Stage 4	-22.3	-323.46	-387.19
Stage 4	-22.5	-398.05	-372.96
Stage 4	-22.7	-468.71	-353.3
Stage 4	-22.9	-534.34	-328.18
Stage 4	-23.1	-593.87	-297.64
Stage 4	-23.3	-646.2	-261.64
Stage 4	-23.5	-690.25	-220.23
Stage 4	-23.7	-724.92	-173.36
Stage 4	-23.9	-749.13	-121.06
Stage 4	-24.1	-761.79	-63.31
Stage 4	-24.3	-761.82	-0.12
Stage 4	-24.5	-748.42	66.98
Stage 4	-24.7	-722.18	131.19
Stage 4	-24.9	-683.65	192.68
Stage 4	-25.1	-633.41	251.18
Stage 4	-25.3	-573.86	297.76
Stage 4	-25.5	-507.75	330.54
Stage 4	-25.7	-437.68	350.33
Stage 4	-25.9	-366.11	357.85
Stage 4	-26.1	-295.37	353.71
Stage 4	-26.3	-227.68	338.44
Stage 4	-26.5	-165.2	312.44
Stage 4	-26.7	-109.99	276.04
Stage 4	-26.9	-64.09	229.47
Stage 4	-27.1	-29.52	172.88
Stage 4	-27.3	-7.71	109.04
Stage 4	-27.5	0	38.55

Tabella Risultati Paratia A1+M1+R1 (R3 per tiranti) - Left Wall - Stage: Stage 5

Design Assumption: A1+M1+R1 (R3 per tiranti) Risultati Paratia		Muro: LEFT	
Stage	Z (m)	Momento (kN*m/m)	Taglio (kN/m)
Stage 5	-2.5	0	-0.02
Stage 5	-2.7	0	-0.02
Stage 5	-2.7	0	-0.02
Stage 5	-2.9	-1.05	-5.21
Stage 5	-3.1	-3.11	-10.31
Stage 5	-3.3	-5.76	-13.28
Stage 5	-3.5	-8.58	-14.09
Stage 5	-3.7	-11.56	-14.9
Stage 5	-3.9	-14.74	-15.89
Stage 5	-4.1	-18.15	-17.05
Stage 5	-4.3	-21.82	-18.38
Stage 5	-4.5	-25.84	-20.08
Stage 5	-4.7	-30.24	-21.99
Stage 5	-4.9	-35.06	-24.09
Stage 5	-5.1	-40.34	-26.41
Stage 5	-5.3	-46.19	-29.28
Stage 5	-5.5	-52.67	-32.4
Stage 5	-5.7	-59.82	-35.73
Stage 5	-5.9	-67.68	-39.3
Stage 5	-6.1	-76.3	-43.1
Stage 5	-6.3	-85.72	-47.13
Stage 5	-6.5	-96	-51.38
Stage 5	-6.7	-107.18	-55.88
Stage 5	-6.9	-119.3	-60.59
Stage 5	-7.1	-132.4	-65.55
Stage 5	-7.3	-146.55	-70.72
Stage 5	-7.5	-161.77	-76.13
Stage 5	-7.7	-178.13	-81.76
Stage 5	-7.9	-195.65	-87.63
Stage 5	-8.1	-214.4	-93.71
Stage 5	-8.3	-234.4	-100.04
Stage 5	-8.5	-255.72	-106.58
Stage 5	-8.7	-278.39	-113.37
Stage 5	-8.9	-302.47	-120.39
Stage 5	-9	-315.05	-125.83
Stage 5	-9.2	-257.66	286.94
Stage 5	-9.4	-201.8	279.35
Stage 5	-9.6	-147.49	271.53
Stage 5	-9.8	-94.8	263.47
Stage 5	-10	-43.76	255.2
Stage 5	-10.2	5.58	246.69
Stage 5	-10.4	53.09	237.52
Stage 5	-10.6	98.71	228.11
Stage 5	-10.8	142.41	218.48
Stage 5	-11	184.13	208.61
Stage 5	-11.2	223.83	198.52
Stage 5	-11.4	261.47	188.19
Stage 5	-11.6	297	177.64
Stage 5	-11.8	330.37	166.86
Stage 5	-12	361.54	155.86
Stage 5	-12.2	390.47	144.63
Stage 5	-12.4	417.11	133.19
Stage 5	-12.6	441.41	121.51
Stage 5	-12.8	463.33	109.61
Stage 5	-13	482.83	97.49
Stage 5	-13.2	499.86	85.15
Stage 5	-13.4	514.37	72.58
Stage 5	-13.6	526.33	59.8
Stage 5	-13.8	535.69	46.79
Stage 5	-14	542.41	33.57
Stage 5	-14.2	546.43	20.13
Stage 5	-14.4	547.73	6.47
Stage 5	-14.5	547.33	-3.94
Stage 5	-14.7	588.15	204.11
Stage 5	-14.9	626.13	189.91
Stage 5	-15.1	661.23	175.48
Stage 5	-15.3	693.41	160.92

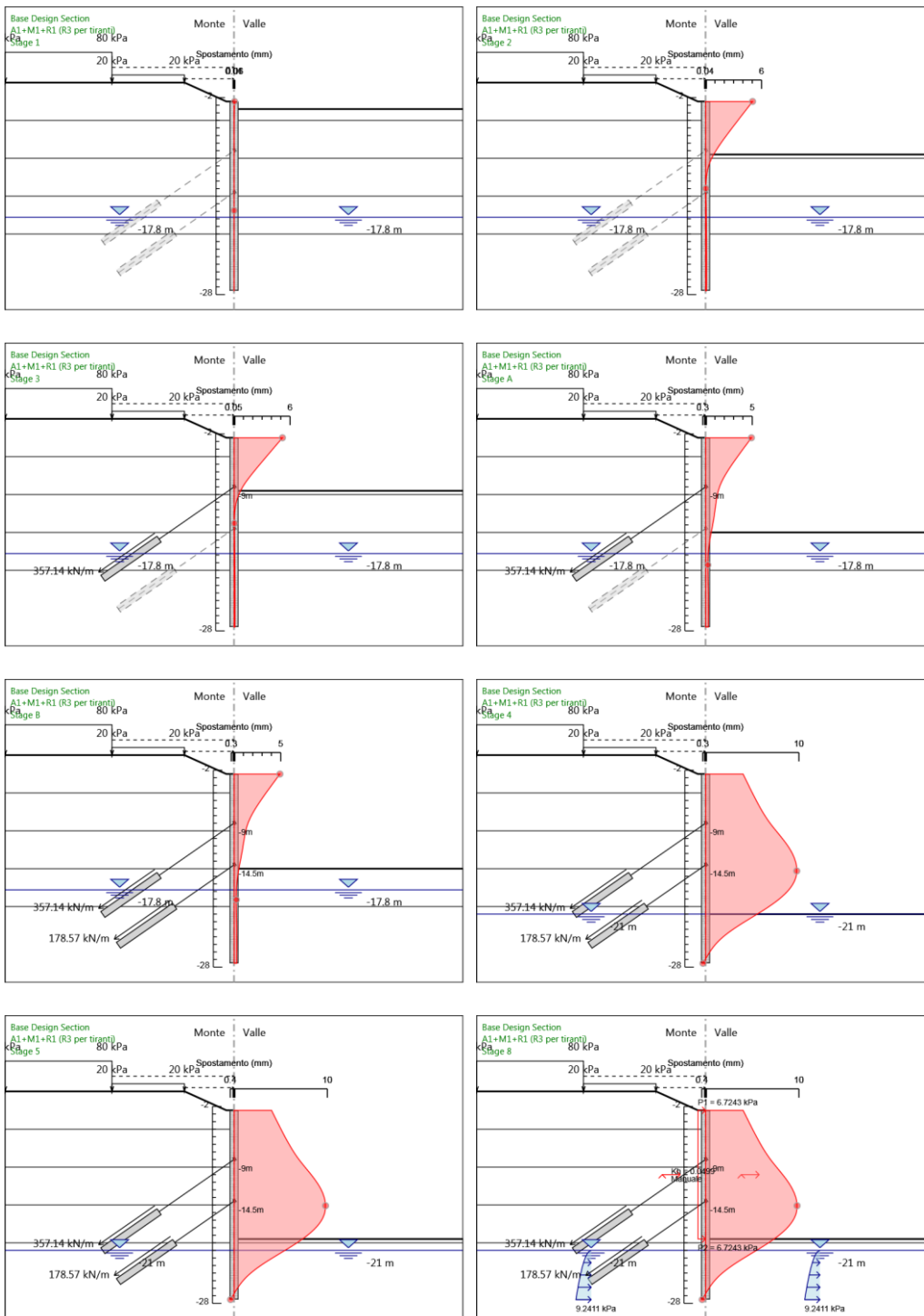
Design Assumption: A1+M1+R1 (R3 per tiranti) Risultati Paratia		Muro: LEFT	
Stage	Z (m)	Momento (kN*m/m)	Taglio (kN/m)
Stage 5	-15.5	722.64	146.12
Stage 5	-15.7	748.86	131.11
Stage 5	-15.9	772.03	115.86
Stage 5	-16.1	792.11	100.4
Stage 5	-16.3	809.05	84.71
Stage 5	-16.5	822.81	68.8
Stage 5	-16.7	833.35	52.68
Stage 5	-16.9	840.62	36.34
Stage 5	-17.1	844.57	19.78
Stage 5	-17.3	845.17	3.01
Stage 5	-17.5	842.38	-13.98
Stage 5	-17.7	836.14	-31.19
Stage 5	-17.9	826.43	-48.53
Stage 5	-18.1	813.16	-66.37
Stage 5	-18.3	796.21	-84.75
Stage 5	-18.5	775.48	-103.64
Stage 5	-18.7	750.86	-123.09
Stage 5	-18.9	722.24	-143.1
Stage 5	-19.1	689.51	-163.68
Stage 5	-19.3	652.54	-184.85
Stage 5	-19.5	611.21	-206.63
Stage 5	-19.7	565.4	-229.04
Stage 5	-19.9	515.03	-251.86
Stage 5	-20.1	460.01	-275.09
Stage 5	-20.3	400.5	-297.57
Stage 5	-20.5	336.51	-319.93
Stage 5	-20.7	268.08	-342.13
Stage 5	-20.9	195.26	-364.13
Stage 5	-21.1	118.07	-385.92
Stage 5	-21.3	39.27	-394
Stage 5	-21.5	-40.57	-399.19
Stage 5	-21.7	-120.68	-400.56
Stage 5	-21.9	-200.22	-397.71
Stage 5	-22.1	-278.3	-390.4
Stage 5	-22.3	-353.99	-378.44
Stage 5	-22.5	-426.33	-361.71
Stage 5	-22.7	-494.35	-340.1
Stage 5	-22.9	-557.05	-313.49
Stage 5	-23.1	-613.42	-281.85
Stage 5	-23.3	-662.43	-245.07
Stage 5	-23.5	-703.06	-203.13
Stage 5	-23.7	-734.25	-155.96
Stage 5	-23.9	-755.14	-104.46
Stage 5	-24.1	-764.99	-49.22
Stage 5	-24.3	-762.69	11.5
Stage 5	-24.5	-747.45	76.21
Stage 5	-24.7	-719.83	138.09
Stage 5	-24.9	-680.36	197.33
Stage 5	-25.1	-629.59	253.86
Stage 5	-25.3	-569.64	299.77
Stage 5	-25.5	-503.26	331.88
Stage 5	-25.7	-433.07	350.93
Stage 5	-25.9	-361.54	357.64
Stage 5	-26.1	-291.02	352.63
Stage 5	-26.3	-223.73	336.41
Stage 5	-26.5	-161.85	309.4
Stage 5	-26.7	-107.47	271.92
Stage 5	-26.9	-62.63	224.19
Stage 5	-27.1	-28.88	168.77
Stage 5	-27.3	-7.55	106.62
Stage 5	-27.5	0	37.77

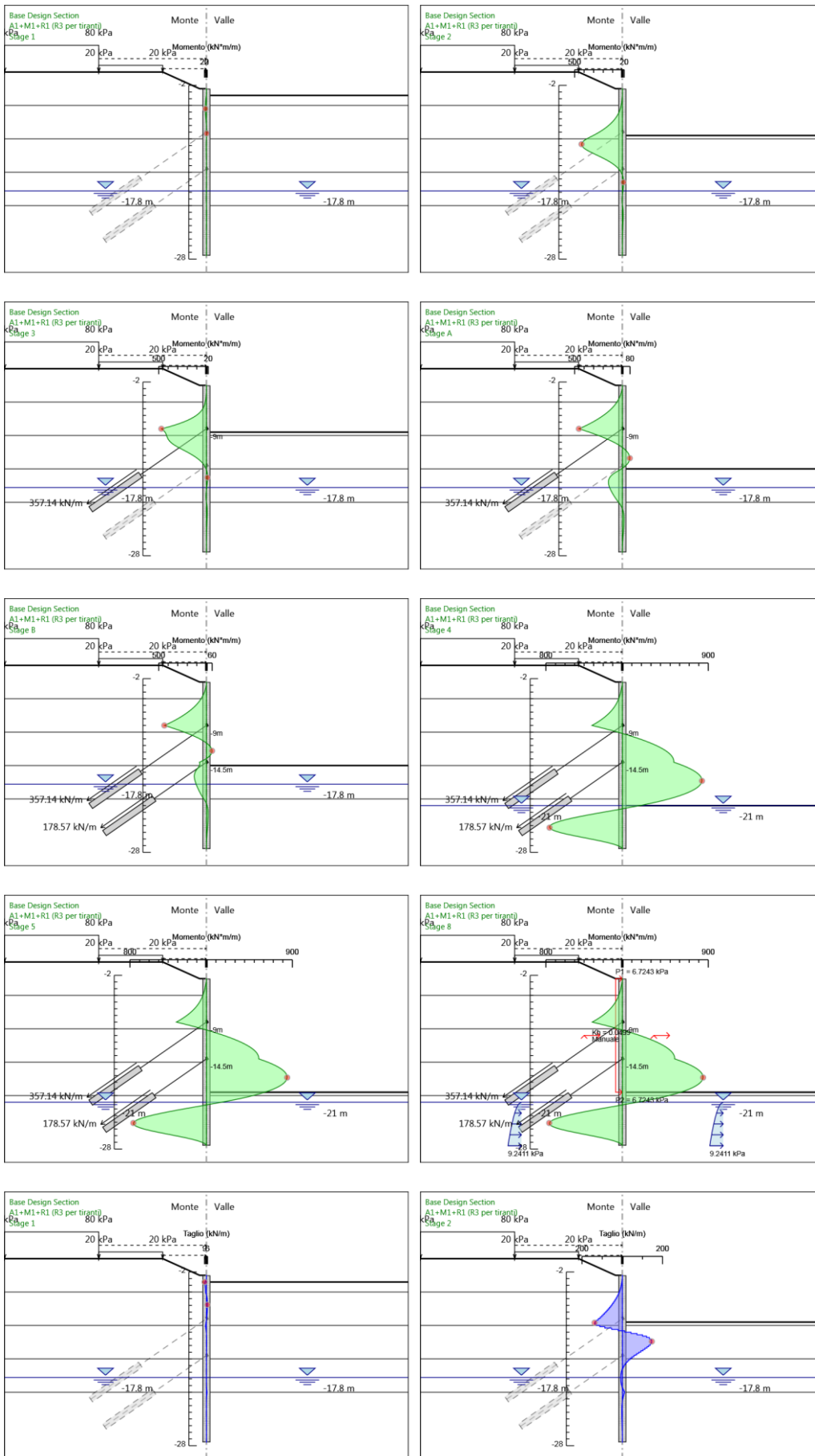
Tabella Risultati Paratia A1+M1+R1 (R3 per tiranti) - Left Wall - Stage: Stage 8

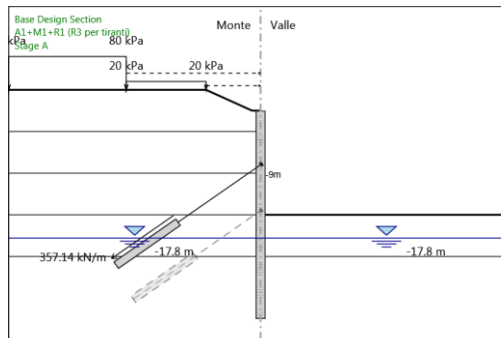
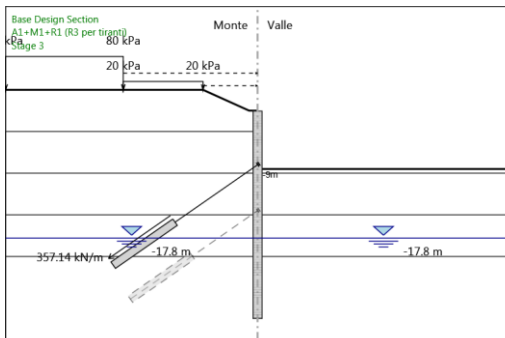
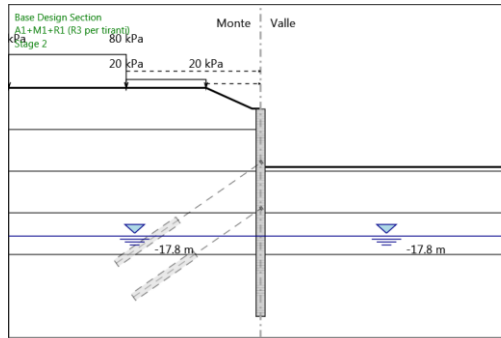
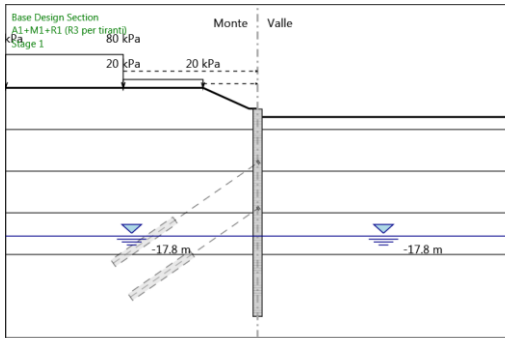
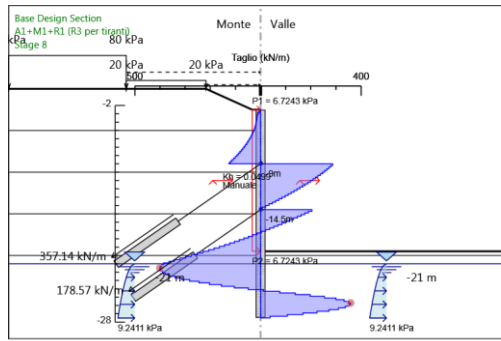
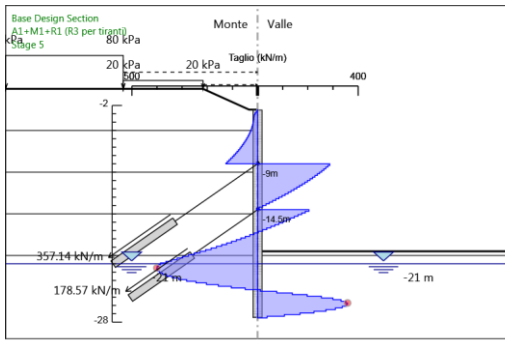
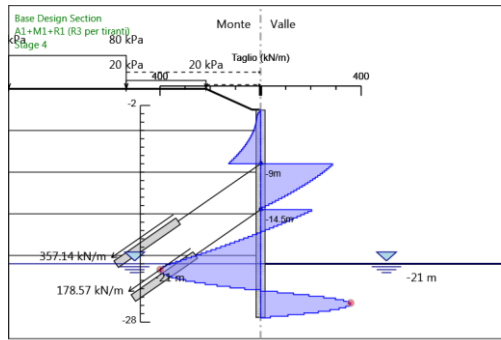
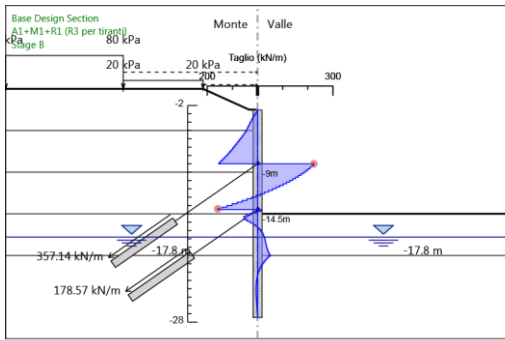
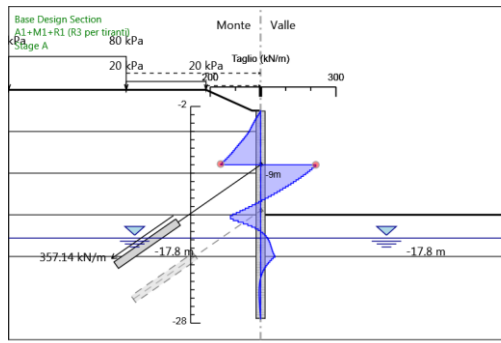
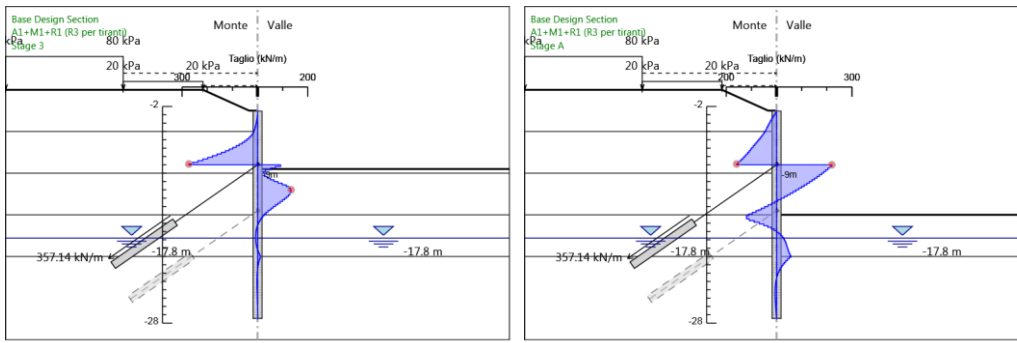
Design Assumption: A1+M1+R1 (R3 per tiranti) Risultati Paratia		Muro: LEFT	
Stage	Z (m)	Momento (kN*m/m)	Taglio (kN/m)
Stage 8	-2.5	0	-0.01
Stage 8	-2.7	0	-0.01
Stage 8	-2.7	0	-0.01
Stage 8	-2.9	-1.02	-5.11
Stage 8	-3.1	-3.04	-10.11
Stage 8	-3.3	-5.64	-12.99
Stage 8	-3.5	-8.38	-13.71
Stage 8	-3.7	-11.31	-14.62
Stage 8	-3.9	-14.45	-15.73
Stage 8	-4.1	-17.86	-17.03
Stage 8	-4.3	-21.57	-18.53
Stage 8	-4.5	-25.61	-20.23
Stage 8	-4.7	-30.04	-22.14
Stage 8	-4.9	-34.89	-24.25
Stage 8	-5.1	-40.2	-26.56
Stage 8	-5.3	-46.09	-29.44
Stage 8	-5.5	-52.6	-32.55
Stage 8	-5.7	-59.78	-35.88
Stage 8	-5.9	-67.67	-39.46
Stage 8	-6.1	-76.32	-43.25
Stage 8	-6.3	-85.78	-47.29
Stage 8	-6.5	-96.09	-51.54
Stage 8	-6.7	-107.29	-56.03
Stage 8	-6.9	-119.44	-60.75
Stage 8	-7.1	-132.58	-65.7
Stage 8	-7.3	-146.76	-70.87
Stage 8	-7.5	-162.01	-76.29
Stage 8	-7.7	-178.4	-81.92
Stage 8	-7.9	-195.95	-87.78
Stage 8	-8.1	-214.73	-93.87
Stage 8	-8.3	-234.77	-100.19
Stage 8	-8.5	-256.11	-106.73
Stage 8	-8.7	-278.82	-113.53
Stage 8	-8.9	-302.93	-120.54
Stage 8	-9	-315.53	-125.98
Stage 8	-9.2	-258.16	286.82
Stage 8	-9.4	-202.31	279.26
Stage 8	-9.6	-148.01	271.47
Stage 8	-9.8	-95.32	263.45
Stage 8	-10	-44.28	255.2
Stage 8	-10.2	5.06	246.71
Stage 8	-10.4	52.57	237.58
Stage 8	-10.6	98.21	228.19
Stage 8	-10.8	141.93	218.58
Stage 8	-11	183.67	208.72
Stage 8	-11.2	223.4	198.64
Stage 8	-11.4	261.06	188.32
Stage 8	-11.6	296.62	177.78
Stage 8	-11.8	330.02	167
Stage 8	-12	361.22	156.01
Stage 8	-12.2	390.18	144.77
Stage 8	-12.4	416.84	133.32
Stage 8	-12.6	441.17	121.64
Stage 8	-12.8	463.12	109.73
Stage 8	-13	482.64	97.6
Stage 8	-13.2	499.69	85.25
Stage 8	-13.4	514.22	72.68
Stage 8	-13.6	526.2	59.89
Stage 8	-13.8	535.57	46.87
Stage 8	-14	542.3	33.64
Stage 8	-14.2	546.34	20.19
Stage 8	-14.4	547.65	6.52
Stage 8	-14.5	547.26	-3.9
Stage 8	-14.7	588.09	204.16
Stage 8	-14.9	626.08	189.95
Stage 8	-15.1	661.18	175.52
Stage 8	-15.3	693.38	160.96

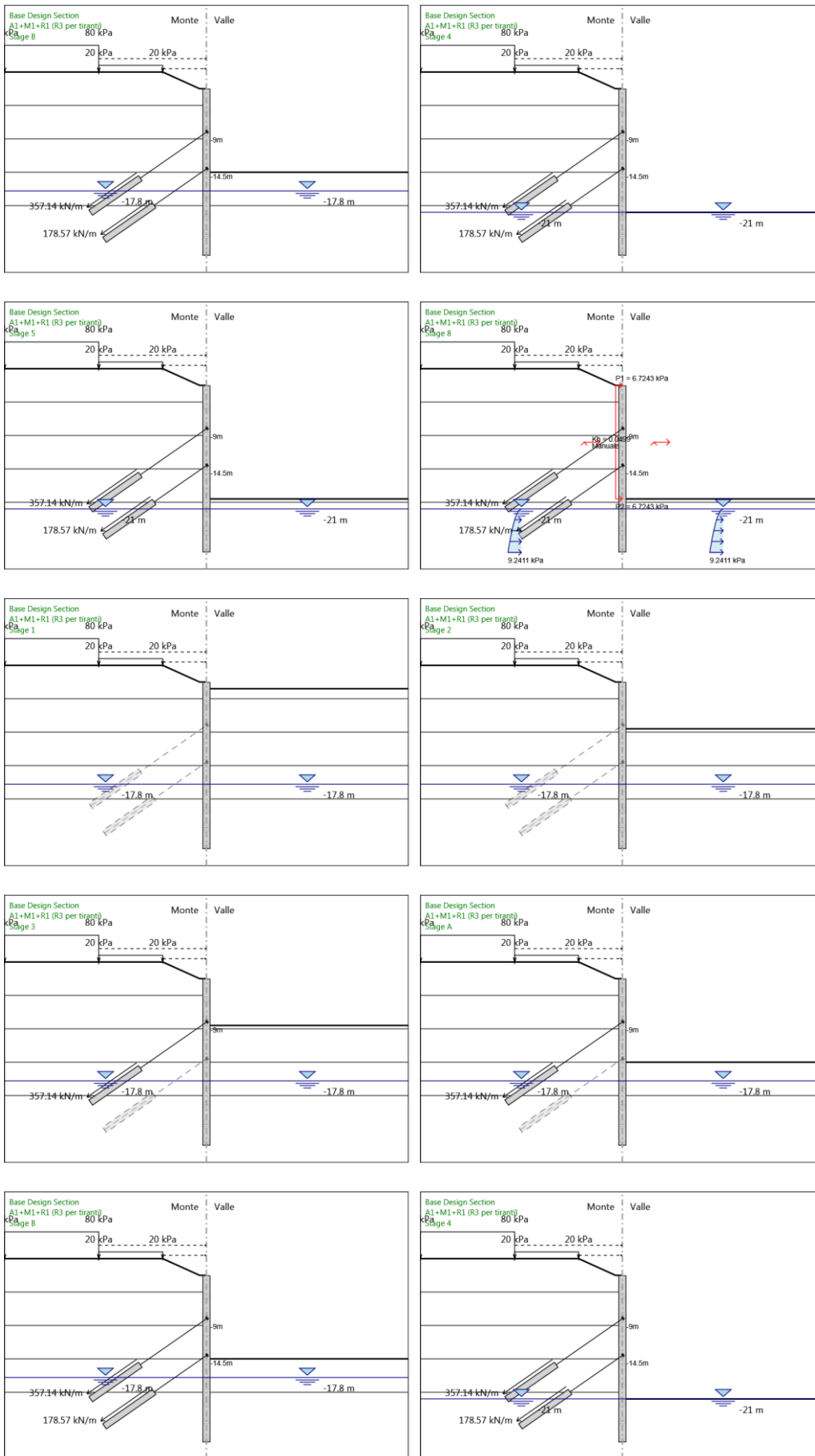
Design Assumption: A1+M1+R1 (R3 per tiranti) Risultati Paratia		Muro: LEFT	
Stage	Z (m)	Momento (kN*m/m)	Taglio (kN/m)
Stage 8	-15.5	722.61	146.17
Stage 8	-15.7	748.84	131.15
Stage 8	-15.9	772.02	115.91
Stage 8	-16.1	792.11	100.44
Stage 8	-16.3	809.06	84.75
Stage 8	-16.5	822.83	68.85
Stage 8	-16.7	833.38	52.72
Stage 8	-16.9	840.65	36.39
Stage 8	-17.1	844.62	19.83
Stage 8	-17.3	845.23	3.06
Stage 8	-17.5	842.44	-13.94
Stage 8	-17.7	836.21	-31.14
Stage 8	-17.9	826.5	-48.57
Stage 8	-18.1	813.22	-66.41
Stage 8	-18.3	796.26	-84.78
Stage 8	-18.5	775.53	-103.68
Stage 8	-18.7	750.9	-123.13
Stage 8	-18.9	722.27	-143.13
Stage 8	-19.1	689.53	-163.71
Stage 8	-19.3	652.56	-184.88
Stage 8	-19.5	611.22	-206.66
Stage 8	-19.7	565.41	-229.07
Stage 8	-19.9	515.03	-251.88
Stage 8	-20.1	460.01	-275.1
Stage 8	-20.3	400.5	-297.57
Stage 8	-20.5	336.51	-319.94
Stage 8	-20.7	268.08	-342.14
Stage 8	-20.9	195.26	-364.13
Stage 8	-21.1	118.07	-385.92
Stage 8	-21.3	39.27	-394
Stage 8	-21.5	-40.57	-399.19
Stage 8	-21.7	-120.68	-400.56
Stage 8	-21.9	-200.22	-397.71
Stage 8	-22.1	-278.3	-390.4
Stage 8	-22.3	-353.99	-378.44
Stage 8	-22.5	-426.33	-361.71
Stage 8	-22.7	-494.35	-340.1
Stage 8	-22.9	-557.05	-313.49
Stage 8	-23.1	-613.42	-281.84
Stage 8	-23.3	-662.44	-245.07
Stage 8	-23.5	-703.06	-203.13
Stage 8	-23.7	-734.25	-155.96
Stage 8	-23.9	-755.14	-104.46
Stage 8	-24.1	-764.99	-49.22
Stage 8	-24.3	-762.69	11.5
Stage 8	-24.5	-747.44	76.21
Stage 8	-24.7	-719.83	138.09
Stage 8	-24.9	-680.36	197.33
Stage 8	-25.1	-629.59	253.86
Stage 8	-25.3	-569.63	299.77
Stage 8	-25.5	-503.26	331.88
Stage 8	-25.7	-433.07	350.93
Stage 8	-25.9	-361.54	357.64
Stage 8	-26.1	-291.01	352.63
Stage 8	-26.3	-223.73	336.41
Stage 8	-26.5	-161.85	309.4
Stage 8	-26.7	-107.47	271.91
Stage 8	-26.9	-62.63	224.19
Stage 8	-27.1	-28.88	168.77
Stage 8	-27.3	-7.55	106.62
Stage 8	-27.5	0	37.77

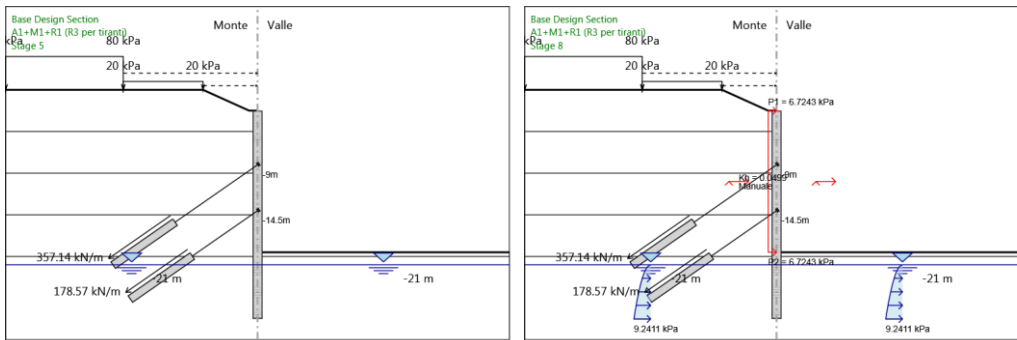
Tabella Grafici dei Risultati











Risultati Elementi strutturali - A1+M1+R1 (R3 per tiranti)

Design Assumption: A1+M1+R1 (R3 per tiranti) Sollecitazione Tieback

Stage	Forza (kN/m)
Stage 3	464.23
Stage A	468.6019
Stage B	468.61061
Stage 4	510.31877
Stage 5	510.63883
Stage 8	510.64663

Design Assumption: A1+M1+R1 (R3 per tiranti) Sollecitazione Tieback_New

Stage	Forza (kN/m)
Stage B	232.18
Stage 4	266.64703
Stage 5	266.79575
Stage 8	266.79536

Risultati A2+M2+R1

Tabella Risultati Paratia A2+M2+R1 - Left Wall - Stage: Stage 1

Design Assumption: A2+M2+R1 Risultati Paratia		Muro: LEFT	
Stage	Z (m)	Momento (kN*m/m)	Taglio (kN/m)
Stage 1	-2.5	0	-0.01
Stage 1	-2.7	0	-0.01
Stage 1	-2.9	-0.04	-0.2
Stage 1	-3.1	-0.16	-0.57
Stage 1	-3.3	-0.55	-1.99
Stage 1	-3.5	-1.44	-4.42
Stage 1	-3.7	-3	-7.82
Stage 1	-3.9	-4.34	-6.68
Stage 1	-4.1	-5.48	-5.74
Stage 1	-4.3	-6.48	-4.99
Stage 1	-4.5	-7.36	-4.41
Stage 1	-4.7	-8.17	-4.01
Stage 1	-4.9	-8.92	-3.78
Stage 1	-5.1	-9.66	-3.7
Stage 1	-5.3	-10.01	-1.76
Stage 1	-5.5	-10.04	-0.15
Stage 1	-5.7	-9.81	1.16
Stage 1	-5.9	-9.37	2.2
Stage 1	-6.1	-8.77	3.01
Stage 1	-6.3	-8.05	3.6
Stage 1	-6.5	-7.25	4.01
Stage 1	-6.7	-6.39	4.27
Stage 1	-6.9	-5.51	4.39
Stage 1	-7.1	-4.63	4.4
Stage 1	-7.3	-3.77	4.32
Stage 1	-7.5	-2.94	4.16
Stage 1	-7.7	-2.15	3.92
Stage 1	-7.9	-1.43	3.63
Stage 1	-8.1	-0.77	3.29
Stage 1	-8.3	-0.19	2.89
Stage 1	-8.5	0.3	2.45
Stage 1	-8.7	0.69	1.97
Stage 1	-8.9	0.98	1.44
Stage 1	-9	1.08	1.01
Stage 1	-9.2	1.19	0.56
Stage 1	-9.4	1.18	-0.1
Stage 1	-9.6	1.01	-0.81
Stage 1	-9.8	0.7	-1.58
Stage 1	-10	0.22	-2.41
Stage 1	-10.2	-0.45	-3.31
Stage 1	-10.4	-0.94	-2.48
Stage 1	-10.6	-1.3	-1.77
Stage 1	-10.8	-1.53	-1.17
Stage 1	-11	-1.66	-0.66
Stage 1	-11.2	-1.71	-0.25
Stage 1	-11.4	-1.7	0.08
Stage 1	-11.6	-1.63	0.34
Stage 1	-11.8	-1.52	0.53
Stage 1	-12	-1.39	0.66
Stage 1	-12.2	-1.24	0.75
Stage 1	-12.4	-1.08	0.8
Stage 1	-12.6	-0.92	0.81
Stage 1	-12.8	-0.76	0.8
Stage 1	-13	-0.6	0.77
Stage 1	-13.2	-0.46	0.72
Stage 1	-13.4	-0.33	0.66
Stage 1	-13.6	-0.21	0.58
Stage 1	-13.8	-0.11	0.5
Stage 1	-14	-0.03	0.4
Stage 1	-14.2	0.03	0.3
Stage 1	-14.4	0.07	0.19
Stage 1	-14.5	0.08	0.1
Stage 1	-14.7	0.08	0.01
Stage 1	-14.9	0.05	-0.12

Design Assumption: A2+M2+R1 Risultati Paratia		Muro: LEFT	
Stage	Z (m)	Momento (kN*m/m)	Taglio (kN/m)
Stage 1	-15.1	0	-0.26
Stage 1	-15.3	-0.05	-0.24
Stage 1	-15.5	-0.09	-0.23
Stage 1	-15.7	-0.14	-0.23
Stage 1	-15.9	-0.18	-0.24
Stage 1	-16.1	-0.23	-0.25
Stage 1	-16.3	-0.29	-0.28
Stage 1	-16.5	-0.35	-0.3
Stage 1	-16.7	-0.42	-0.34
Stage 1	-16.9	-0.49	-0.37
Stage 1	-17.1	-0.57	-0.41
Stage 1	-17.3	-0.66	-0.44
Stage 1	-17.5	-0.75	-0.46
Stage 1	-17.7	-0.85	-0.47
Stage 1	-17.9	-0.94	-0.47
Stage 1	-18.1	-1.03	-0.45
Stage 1	-18.3	-1.11	-0.4
Stage 1	-18.5	-1.17	-0.32
Stage 1	-18.7	-1.22	-0.2
Stage 1	-18.9	-1.22	-0.04
Stage 1	-19.1	-1.19	0.17
Stage 1	-19.3	-1.1	0.44
Stage 1	-19.5	-0.95	0.78
Stage 1	-19.7	-0.71	1.19
Stage 1	-19.9	-0.37	1.68
Stage 1	-20.1	0.07	2.24
Stage 1	-20.3	0.43	1.75
Stage 1	-20.5	0.69	1.33
Stage 1	-20.7	0.88	0.95
Stage 1	-20.9	1.01	0.64
Stage 1	-21.1	1.08	0.37
Stage 1	-21.3	1.11	0.15
Stage 1	-21.5	1.11	-0.02
Stage 1	-21.7	1.08	-0.16
Stage 1	-21.9	1.02	-0.26
Stage 1	-22.1	0.96	-0.34
Stage 1	-22.3	0.88	-0.39
Stage 1	-22.5	0.8	-0.42
Stage 1	-22.7	0.71	-0.43
Stage 1	-22.9	0.62	-0.43
Stage 1	-23.1	0.54	-0.42
Stage 1	-23.3	0.46	-0.39
Stage 1	-23.5	0.39	-0.37
Stage 1	-23.7	0.32	-0.34
Stage 1	-23.9	0.26	-0.3
Stage 1	-24.1	0.21	-0.27
Stage 1	-24.3	0.16	-0.23
Stage 1	-24.5	0.12	-0.2
Stage 1	-24.7	0.09	-0.17
Stage 1	-24.9	0.06	-0.14
Stage 1	-25.1	0.04	-0.11
Stage 1	-25.3	0.02	-0.09
Stage 1	-25.5	0.01	-0.06
Stage 1	-25.7	0	-0.04
Stage 1	-25.9	-0.01	-0.03
Stage 1	-26.1	-0.01	-0.01
Stage 1	-26.3	-0.01	0
Stage 1	-26.5	-0.01	0.01
Stage 1	-26.7	-0.01	0.01
Stage 1	-26.9	-0.01	0.01
Stage 1	-27.1	0	0.01
Stage 1	-27.3	0	0.01
Stage 1	-27.5	0	0

Tabella Risultati Paratia A2+M2+R1 - Left Wall - Stage: Stage 2

Design Assumption: A2+M2+R1 Risultati Paratia		Muro: LEFT	
Stage	Z (m)	Momento (kN*m/m)	Taglio (kN/m)
Stage 2	-2.5	0	-0.01
Stage 2	-2.7	0	-0.01
Stage 2	-2.7	0	-0.01
Stage 2	-2.9	-0.04	-0.2
Stage 2	-3.1	-0.16	-0.58
Stage 2	-3.3	-0.38	-1.14
Stage 2	-3.5	-0.76	-1.89
Stage 2	-3.7	-1.33	-2.84
Stage 2	-3.9	-2.13	-3.98
Stage 2	-4.1	-3.19	-5.32
Stage 2	-4.3	-4.56	-6.87
Stage 2	-4.5	-6.29	-8.63
Stage 2	-4.7	-8.41	-10.6
Stage 2	-4.9	-10.96	-12.77
Stage 2	-5.1	-14	-15.16
Stage 2	-5.3	-17.61	-18.09
Stage 2	-5.5	-21.86	-21.25
Stage 2	-5.7	-26.79	-24.65
Stage 2	-5.9	-32.45	-28.28
Stage 2	-6.1	-38.88	-32.14
Stage 2	-6.3	-46.13	-36.25
Stage 2	-6.5	-54.24	-40.58
Stage 2	-6.7	-63.27	-45.15
Stage 2	-6.9	-73.26	-49.95
Stage 2	-7.1	-84.26	-54.99
Stage 2	-7.3	-96.31	-60.25
Stage 2	-7.5	-109.46	-65.76
Stage 2	-7.7	-123.76	-71.49
Stage 2	-7.9	-139.25	-77.46
Stage 2	-8.1	-155.98	-83.65
Stage 2	-8.3	-174	-90.09
Stage 2	-8.5	-193.35	-96.75
Stage 2	-8.7	-214.08	-103.66
Stage 2	-8.9	-236.24	-110.8
Stage 2	-9	-247.87	-116.35
Stage 2	-9.2	-272.27	-121.97
Stage 2	-9.4	-298.21	-129.7
Stage 2	-9.6	-325.74	-137.67
Stage 2	-9.8	-354.4	-143.3
Stage 2	-10	-383.21	-144.02
Stage 2	-10.2	-411.17	-139.84
Stage 2	-10.4	-437.67	-132.47
Stage 2	-10.6	-461.8	-120.64
Stage 2	-10.8	-482.66	-104.33
Stage 2	-11	-499.37	-83.54
Stage 2	-11.2	-511.02	-58.26
Stage 2	-11.4	-516.73	-28.51
Stage 2	-11.6	-516.24	2.43
Stage 2	-11.8	-509.89	31.75
Stage 2	-12	-497.96	59.65
Stage 2	-12.2	-480.7	86.31
Stage 2	-12.4	-458.32	111.91
Stage 2	-12.6	-431.06	136.26
Stage 2	-12.8	-400.29	153.86
Stage 2	-13	-367.3	164.97
Stage 2	-13.2	-333.18	170.6
Stage 2	-13.4	-298.84	171.69
Stage 2	-13.6	-265.03	169.07
Stage 2	-13.8	-232.33	163.49
Stage 2	-14	-201.2	155.64
Stage 2	-14.2	-171.99	146.08
Stage 2	-14.4	-144.92	135.33
Stage 2	-14.5	-132.25	126.7
Stage 2	-14.7	-108.67	117.89
Stage 2	-14.9	-87.49	105.9
Stage 2	-15.1	-68.7	93.96
Stage 2	-15.3	-52.21	82.45

Design Assumption: A2+M2+R1 Risultati Paratia		Muro: LEFT	
Stage	Z (m)	Momento (kN*m/m)	Taglio (kN/m)
Stage 2	-15.5	-37.93	71.4
Stage 2	-15.7	-25.74	60.94
Stage 2	-15.9	-15.51	51.17
Stage 2	-16.1	-7.08	42.16
Stage 2	-16.3	-0.29	33.95
Stage 2	-16.5	5.03	26.57
Stage 2	-16.7	9.03	20
Stage 2	-16.9	11.88	14.24
Stage 2	-17.1	13.73	9.27
Stage 2	-17.3	14.74	5.04
Stage 2	-17.5	15.05	1.54
Stage 2	-17.7	14.79	-1.29
Stage 2	-17.9	14.09	-3.47
Stage 2	-18.1	13.08	-5.06
Stage 2	-18.3	11.87	-6.09
Stage 2	-18.5	10.55	-6.59
Stage 2	-18.7	9.23	-6.6
Stage 2	-18.9	8	-6.14
Stage 2	-19.1	6.95	-5.23
Stage 2	-19.3	6.18	-3.88
Stage 2	-19.5	5.75	-2.12
Stage 2	-19.7	5.76	0.05
Stage 2	-19.9	6.29	2.61
Stage 2	-20.1	7.4	5.55
Stage 2	-20.3	8.16	3.81
Stage 2	-20.5	8.62	2.32
Stage 2	-20.7	8.84	1.06
Stage 2	-20.9	8.84	0.02
Stage 2	-21.1	8.67	-0.84
Stage 2	-21.3	8.37	-1.52
Stage 2	-21.5	7.96	-2.04
Stage 2	-21.7	7.48	-2.42
Stage 2	-21.9	6.94	-2.69
Stage 2	-22.1	6.37	-2.85
Stage 2	-22.3	5.78	-2.93
Stage 2	-22.5	5.2	-2.93
Stage 2	-22.7	4.62	-2.88
Stage 2	-22.9	4.06	-2.78
Stage 2	-23.1	3.54	-2.64
Stage 2	-23.3	3.04	-2.47
Stage 2	-23.5	2.58	-2.29
Stage 2	-23.7	2.17	-2.09
Stage 2	-23.9	1.79	-1.89
Stage 2	-24.1	1.45	-1.68
Stage 2	-24.3	1.16	-1.48
Stage 2	-24.5	0.9	-1.28
Stage 2	-24.7	0.68	-1.09
Stage 2	-24.9	0.5	-0.92
Stage 2	-25.1	0.35	-0.75
Stage 2	-25.3	0.23	-0.6
Stage 2	-25.5	0.13	-0.47
Stage 2	-25.7	0.06	-0.35
Stage 2	-25.9	0.02	-0.24
Stage 2	-26.1	-0.01	-0.15
Stage 2	-26.3	-0.03	-0.08
Stage 2	-26.5	-0.03	-0.02
Stage 2	-26.7	-0.03	0.02
Stage 2	-26.9	-0.02	0.04
Stage 2	-27.1	-0.01	0.05
Stage 2	-27.3	0	0.04
Stage 2	-27.5	0	0.02

Tabella Risultati Paratia A2+M2+R1 - Left Wall - Stage: Stage 3

Design Assumption: A2+M2+R1 Risultati Paratia		Muro: LEFT	
Stage	Z (m)	Momento (kN*m/m)	Taglio (kN/m)
Stage 3	-2.5	0	-0.01
Stage 3	-2.7	0	-0.01
Stage 3	-2.7	0	-0.01
Stage 3	-2.9	-0.04	-0.2
Stage 3	-3.1	-0.16	-0.58
Stage 3	-3.3	-0.38	-1.14
Stage 3	-3.5	-0.76	-1.89
Stage 3	-3.7	-1.33	-2.84
Stage 3	-3.9	-2.13	-3.98
Stage 3	-4.1	-3.19	-5.32
Stage 3	-4.3	-4.56	-6.87
Stage 3	-4.5	-6.29	-8.63
Stage 3	-4.7	-8.41	-10.6
Stage 3	-4.9	-10.96	-12.77
Stage 3	-5.1	-14.02	-15.27
Stage 3	-5.3	-17.83	-19.09
Stage 3	-5.5	-22.59	-23.76
Stage 3	-5.7	-28.44	-29.27
Stage 3	-5.9	-35.57	-35.64
Stage 3	-6.1	-44.14	-42.85
Stage 3	-6.3	-54.32	-50.92
Stage 3	-6.5	-66.29	-59.82
Stage 3	-6.7	-80.2	-69.56
Stage 3	-6.9	-96.22	-80.12
Stage 3	-7.1	-114.52	-91.5
Stage 3	-7.3	-135.25	-103.65
Stage 3	-7.5	-158.57	-116.58
Stage 3	-7.7	-184.61	-130.23
Stage 3	-7.9	-213.53	-144.58
Stage 3	-8.1	-245.44	-159.56
Stage 3	-8.3	-280.47	-175.12
Stage 3	-8.5	-318.7	-191.18
Stage 3	-8.7	-360.24	-207.67
Stage 3	-8.9	-405.13	-224.46
Stage 3	-9	-428.85	-237.2
Stage 3	-9.2	-420.34	42.55
Stage 3	-9.4	-415.23	25.55
Stage 3	-9.6	-413.49	8.7
Stage 3	-9.8	-415.05	-7.81
Stage 3	-10	-419.21	-20.76
Stage 3	-10.2	-424.78	-27.87
Stage 3	-10.4	-432.89	-40.53
Stage 3	-10.6	-442.24	-46.76
Stage 3	-10.8	-451.55	-46.55
Stage 3	-11	-459.54	-39.95
Stage 3	-11.2	-464.94	-27.04
Stage 3	-11.4	-466.53	-7.91
Stage 3	-11.6	-463.72	14.01
Stage 3	-11.8	-456.56	35.81
Stage 3	-12	-445.05	57.54
Stage 3	-12.2	-429.2	79.25
Stage 3	-12.4	-409.01	100.99
Stage 3	-12.6	-384.52	122.44
Stage 3	-12.8	-356.93	137.97
Stage 3	-13	-327.38	147.73
Stage 3	-13.2	-296.86	152.61
Stage 3	-13.4	-266.17	153.46
Stage 3	-13.6	-235.96	151.01
Stage 3	-13.8	-206.78	145.94
Stage 3	-14	-179.01	138.83
Stage 3	-14.2	-152.97	130.22
Stage 3	-14.4	-128.86	120.55
Stage 3	-14.5	-117.58	112.8
Stage 3	-14.7	-96.6	104.88
Stage 3	-14.9	-77.77	94.13
Stage 3	-15.1	-61.09	83.4
Stage 3	-15.3	-46.46	73.15

Design Assumption: A2+M2+R1 Risultati Paratia		Muro: LEFT	
Stage	Z (m)	Momento (kN*m/m)	Taglio (kN/m)
Stage 3	-15.5	-33.8	63.3
Stage 3	-15.7	-23.01	53.98
Stage 3	-15.9	-13.95	45.27
Stage 3	-16.1	-6.5	37.25
Stage 3	-16.3	-0.52	29.93
Stage 3	-16.5	4.15	23.35
Stage 3	-16.7	7.65	17.5
Stage 3	-16.9	10.13	12.37
Stage 3	-17.1	11.72	7.94
Stage 3	-17.3	12.55	4.19
Stage 3	-17.5	12.77	1.08
Stage 3	-17.7	12.48	-1.42
Stage 3	-17.9	11.82	-3.34
Stage 3	-18.1	10.87	-4.71
Stage 3	-18.3	9.76	-5.58
Stage 3	-18.5	8.56	-5.97
Stage 3	-18.7	7.38	-5.89
Stage 3	-18.9	6.31	-5.38
Stage 3	-19.1	5.42	-4.44
Stage 3	-19.3	4.8	-3.1
Stage 3	-19.5	4.53	-1.35
Stage 3	-19.7	4.69	0.79
Stage 3	-19.9	5.35	3.3
Stage 3	-20.1	6.59	6.19
Stage 3	-20.3	7.47	4.41
Stage 3	-20.5	8.04	2.87
Stage 3	-20.7	8.36	1.56
Stage 3	-20.9	8.45	0.47
Stage 3	-21.1	8.36	-0.43
Stage 3	-21.3	8.13	-1.15
Stage 3	-21.5	7.79	-1.72
Stage 3	-21.7	7.36	-2.15
Stage 3	-21.9	6.87	-2.45
Stage 3	-22.1	6.34	-2.65
Stage 3	-22.3	5.78	-2.76
Stage 3	-22.5	5.23	-2.8
Stage 3	-22.7	4.67	-2.77
Stage 3	-22.9	4.13	-2.7
Stage 3	-23.1	3.62	-2.58
Stage 3	-23.3	3.13	-2.43
Stage 3	-23.5	2.68	-2.26
Stage 3	-23.7	2.26	-2.08
Stage 3	-23.9	1.88	-1.89
Stage 3	-24.1	1.54	-1.69
Stage 3	-24.3	1.25	-1.5
Stage 3	-24.5	0.98	-1.31
Stage 3	-24.7	0.76	-1.12
Stage 3	-24.9	0.57	-0.95
Stage 3	-25.1	0.41	-0.79
Stage 3	-25.3	0.28	-0.64
Stage 3	-25.5	0.18	-0.51
Stage 3	-25.7	0.1	-0.38
Stage 3	-25.9	0.05	-0.28
Stage 3	-26.1	0.01	-0.19
Stage 3	-26.3	-0.01	-0.11
Stage 3	-26.5	-0.02	-0.05
Stage 3	-26.7	-0.02	-0.01
Stage 3	-26.9	-0.02	0.02
Stage 3	-27.1	-0.01	0.04
Stage 3	-27.3	0	0.03
Stage 3	-27.5	0	0.02

Tabella Risultati Paratia A2+M2+R1 - Left Wall - Stage: Stage A

Design Assumption: A2+M2+R1 Risultati Paratia		Muro: LEFT	
Stage	Z (m)	Momento (kN*m/m)	Taglio (kN/m)
Stage A	-2.5	0	-0.01
Stage A	-2.7	0	-0.01
Stage A	-2.7	0	-0.01
Stage A	-2.9	-0.21	-1.03
Stage A	-3.1	-0.56	-1.76
Stage A	-3.3	-1	-2.2
Stage A	-3.5	-1.59	-2.95
Stage A	-3.7	-2.37	-3.89
Stage A	-3.9	-3.37	-5.04
Stage A	-4.1	-4.65	-6.38
Stage A	-4.3	-6.24	-7.93
Stage A	-4.5	-8.17	-9.69
Stage A	-4.7	-10.5	-11.65
Stage A	-4.9	-13.27	-13.83
Stage A	-5.1	-16.51	-16.22
Stage A	-5.3	-20.34	-19.15
Stage A	-5.5	-24.81	-22.31
Stage A	-5.7	-29.95	-25.7
Stage A	-5.9	-35.81	-29.34
Stage A	-6.1	-42.45	-33.2
Stage A	-6.3	-49.91	-37.3
Stage A	-6.5	-58.24	-41.63
Stage A	-6.7	-67.48	-46.21
Stage A	-6.9	-77.68	-51
Stage A	-7.1	-88.89	-56.04
Stage A	-7.3	-101.15	-61.31
Stage A	-7.5	-114.52	-66.81
Stage A	-7.7	-129.02	-72.54
Stage A	-7.9	-144.73	-78.52
Stage A	-8.1	-161.67	-84.71
Stage A	-8.3	-179.9	-91.15
Stage A	-8.5	-199.46	-97.8
Stage A	-8.7	-220.4	-104.72
Stage A	-8.9	-242.78	-111.86
Stage A	-9	-254.52	-117.4
Stage A	-9.2	-218.15	181.82
Stage A	-9.4	-183.34	174.08
Stage A	-9.6	-150.11	166.11
Stage A	-9.8	-118.53	157.91
Stage A	-10	-88.64	149.48
Stage A	-10.2	-60.47	140.81
Stage A	-10.4	-34.17	131.51
Stage A	-10.6	-9.78	121.95
Stage A	-10.8	12.65	112.17
Stage A	-11	33.08	102.14
Stage A	-11.2	51.46	91.89
Stage A	-11.4	67.74	81.41
Stage A	-11.6	81.88	70.69
Stage A	-11.8	93.83	59.75
Stage A	-12	103.54	48.57
Stage A	-12.2	110.98	37.17
Stage A	-12.4	116.08	25.54
Stage A	-12.6	118.82	13.67
Stage A	-12.8	119.14	1.59
Stage A	-13	116.99	-10.73
Stage A	-13.2	112.34	-23.26
Stage A	-13.4	105.13	-36.03
Stage A	-13.6	95.33	-49.02
Stage A	-13.8	82.88	-62.23
Stage A	-14	67.75	-75.66
Stage A	-14.2	49.89	-89.32
Stage A	-14.4	29.25	-103.2
Stage A	-14.5	17.87	-113.77
Stage A	-14.7	-7.02	-124.44
Stage A	-14.9	-34.79	-138.87
Stage A	-15.1	-65.49	-153.53
Stage A	-15.3	-98.66	-165.83

Design Assumption: A2+M2+R1 Risultati Paratia		Muro: LEFT	
Stage	Z (m)	Momento (kN*m/m)	Taglio (kN/m)
Stage A	-15.5	-133.33	-173.35
Stage A	-15.7	-168.54	-176.07
Stage A	-15.9	-203.35	-174
Stage A	-16.1	-236.77	-167.14
Stage A	-16.3	-267.87	-155.48
Stage A	-16.5	-295.67	-139.01
Stage A	-16.7	-319.22	-117.75
Stage A	-16.9	-337.56	-91.69
Stage A	-17.1	-349.72	-60.82
Stage A	-17.3	-355.88	-30.76
Stage A	-17.5	-356.31	-2.16
Stage A	-17.7	-351.49	24.11
Stage A	-17.9	-342.33	45.8
Stage A	-18.1	-329.65	63.37
Stage A	-18.3	-314.2	77.26
Stage A	-18.5	-296.61	87.93
Stage A	-18.7	-277.44	95.85
Stage A	-18.9	-257.16	101.44
Stage A	-19.1	-236.13	105.12
Stage A	-19.3	-214.68	107.27
Stage A	-19.5	-193.03	108.21
Stage A	-19.7	-171.38	108.28
Stage A	-19.9	-149.83	107.76
Stage A	-20.1	-128.45	106.88
Stage A	-20.3	-108.81	98.2
Stage A	-20.5	-90.89	89.58
Stage A	-20.7	-74.67	81.12
Stage A	-20.9	-60.09	72.91
Stage A	-21.1	-47.08	65.03
Stage A	-21.3	-35.58	57.53
Stage A	-21.5	-25.49	50.44
Stage A	-21.7	-16.73	43.79
Stage A	-21.9	-9.21	37.6
Stage A	-22.1	-2.84	31.88
Stage A	-22.3	2.49	26.62
Stage A	-22.5	6.85	21.82
Stage A	-22.7	10.35	17.48
Stage A	-22.9	13.06	13.56
Stage A	-23.1	15.07	10.07
Stage A	-23.3	16.47	6.97
Stage A	-23.5	17.32	4.25
Stage A	-23.7	17.7	1.88
Stage A	-23.9	17.66	-0.16
Stage A	-24.1	17.29	-1.89
Stage A	-24.3	16.62	-3.33
Stage A	-24.5	15.72	-4.51
Stage A	-24.7	14.63	-5.45
Stage A	-24.9	13.4	-6.16
Stage A	-25.1	12.06	-6.66
Stage A	-25.3	10.67	-6.97
Stage A	-25.5	9.25	-7.11
Stage A	-25.7	7.83	-7.07
Stage A	-25.9	6.46	-6.89
Stage A	-26.1	5.14	-6.56
Stage A	-26.3	3.93	-6.09
Stage A	-26.5	2.83	-5.49
Stage A	-26.7	1.88	-4.76
Stage A	-26.9	1.09	-3.91
Stage A	-27.1	0.5	-2.95
Stage A	-27.3	0.13	-1.86
Stage A	-27.5	0	-0.66

Tabella Risultati Paratia A2+M2+R1 - Left Wall - Stage: Stage B

Design Assumption: A2+M2+R1 Risultati Paratia		Muro: LEFT	
Stage	Z (m)	Momento (kN*m/m)	Taglio (kN/m)
Stage B	-2.5	0	-0.01
Stage B	-2.7	0	-0.01
Stage B	-2.7	0	-0.01
Stage B	-2.9	-0.04	-0.2
Stage B	-3.1	-0.16	-0.58
Stage B	-3.3	-0.38	-1.14
Stage B	-3.5	-0.76	-1.89
Stage B	-3.7	-1.33	-2.84
Stage B	-3.9	-2.13	-3.98
Stage B	-4.1	-3.19	-5.32
Stage B	-4.3	-4.56	-6.87
Stage B	-4.5	-6.29	-8.63
Stage B	-4.7	-8.41	-10.6
Stage B	-4.9	-10.96	-12.77
Stage B	-5.1	-14	-15.16
Stage B	-5.3	-17.61	-18.09
Stage B	-5.5	-21.86	-21.25
Stage B	-5.7	-26.79	-24.65
Stage B	-5.9	-32.45	-28.28
Stage B	-6.1	-38.88	-32.14
Stage B	-6.3	-46.13	-36.25
Stage B	-6.5	-54.24	-40.58
Stage B	-6.7	-63.27	-45.15
Stage B	-6.9	-73.26	-49.95
Stage B	-7.1	-84.26	-54.99
Stage B	-7.3	-96.31	-60.25
Stage B	-7.5	-109.46	-65.76
Stage B	-7.7	-123.76	-71.49
Stage B	-7.9	-139.25	-77.46
Stage B	-8.1	-155.98	-83.65
Stage B	-8.3	-174	-90.09
Stage B	-8.5	-193.35	-96.75
Stage B	-8.7	-214.08	-103.66
Stage B	-8.9	-236.24	-110.8
Stage B	-9	-247.87	-116.35
Stage B	-9.2	-211.28	182.98
Stage B	-9.4	-176.23	175.24
Stage B	-9.6	-142.77	167.28
Stage B	-9.8	-110.96	159.07
Stage B	-10	-80.83	150.64
Stage B	-10.2	-52.43	141.99
Stage B	-10.4	-25.94	132.45
Stage B	-10.6	-1.46	122.42
Stage B	-10.8	20.92	111.9
Stage B	-11	41.1	100.89
Stage B	-11.2	58.97	89.37
Stage B	-11.4	74.44	77.34
Stage B	-11.6	87.4	64.79
Stage B	-11.8	97.75	51.72
Stage B	-12	105.37	38.14
Stage B	-12.2	110.18	24.02
Stage B	-12.4	112.05	9.37
Stage B	-12.6	110.89	-5.81
Stage B	-12.8	106.59	-21.51
Stage B	-13	99.04	-37.73
Stage B	-13.2	88.15	-54.44
Stage B	-13.4	73.82	-71.65
Stage B	-13.6	55.96	-89.32
Stage B	-13.8	34.47	-107.42
Stage B	-14	9.29	-125.92
Stage B	-14.2	-19.66	-144.78
Stage B	-14.4	-52.45	-163.93
Stage B	-14.5	-70.3	-178.49
Stage B	-14.7	-79.66	-46.81
Stage B	-14.9	-92.95	-66.43
Stage B	-15.1	-110.17	-86.11
Stage B	-15.3	-131.35	-105.9

Design Assumption: A2+M2+R1 Risultati Paratia		Muro: LEFT	
Stage	Z (m)	Momento (kN*m/m)	Taglio (kN/m)
Stage B	-15.5	-155.56	-121.03
Stage B	-15.7	-181.73	-130.89
Stage B	-15.9	-208.83	-135.47
Stage B	-16.1	-235.77	-134.73
Stage B	-16.3	-261.51	-128.67
Stage B	-16.5	-284.96	-117.28
Stage B	-16.7	-305.08	-100.57
Stage B	-16.9	-320.79	-78.55
Stage B	-17.1	-331.04	-51.25
Stage B	-17.3	-335.9	-24.31
Stage B	-17.5	-335.58	1.61
Stage B	-17.7	-330.46	25.59
Stage B	-17.9	-321.38	45.37
Stage B	-18.1	-309.11	61.36
Stage B	-18.3	-294.32	73.97
Stage B	-18.5	-277.59	83.64
Stage B	-18.7	-259.43	90.81
Stage B	-18.9	-240.26	95.87
Stage B	-19.1	-220.42	99.2
Stage B	-19.3	-200.18	101.16
Stage B	-19.5	-179.77	102.06
Stage B	-19.7	-159.33	102.21
Stage B	-19.9	-138.96	101.87
Stage B	-20.1	-118.7	101.25
Stage B	-20.3	-100.14	92.8
Stage B	-20.5	-83.25	84.45
Stage B	-20.7	-67.99	76.29
Stage B	-20.9	-54.31	68.4
Stage B	-21.1	-42.14	60.85
Stage B	-21.3	-31.41	53.68
Stage B	-21.5	-22.02	46.93
Stage B	-21.7	-13.9	40.61
Stage B	-21.9	-6.95	34.74
Stage B	-22.1	-1.08	29.33
Stage B	-22.3	3.79	24.38
Stage B	-22.5	7.77	19.87
Stage B	-22.7	10.92	15.79
Stage B	-22.9	13.35	12.13
Stage B	-23.1	15.12	8.87
Stage B	-23.3	16.32	5.99
Stage B	-23.5	17.01	3.46
Stage B	-23.7	17.27	1.27
Stage B	-23.9	17.15	-0.6
Stage B	-24.1	16.71	-2.19
Stage B	-24.3	16.01	-3.51
Stage B	-24.5	15.09	-4.58
Stage B	-24.7	14.01	-5.42
Stage B	-24.9	12.8	-6.05
Stage B	-25.1	11.5	-6.49
Stage B	-25.3	10.15	-6.74
Stage B	-25.5	8.78	-6.84
Stage B	-25.7	7.43	-6.78
Stage B	-25.9	6.11	-6.58
Stage B	-26.1	4.86	-6.24
Stage B	-26.3	3.71	-5.78
Stage B	-26.5	2.67	-5.2
Stage B	-26.7	1.77	-4.5
Stage B	-26.9	1.03	-3.69
Stage B	-27.1	0.47	-2.78
Stage B	-27.3	0.12	-1.75
Stage B	-27.5	0	-0.62

Tabella Risultati Paratia A2+M2+R1 - Left Wall - Stage: Stage 4

Design Assumption: A2+M2+R1 Risultati Paratia		Muro: LEFT	
Stage	Z (m)	Momento (kN*m/m)	Taglio (kN/m)
Stage 4	-2.5	0	-0.01
Stage 4	-2.7	0	-0.01
Stage 4	-2.7	0	-0.01
Stage 4	-2.9	-0.04	-0.2
Stage 4	-3.1	-0.16	-0.58
Stage 4	-3.3	-0.38	-1.14
Stage 4	-3.5	-0.76	-1.89
Stage 4	-3.7	-1.33	-2.84
Stage 4	-3.9	-2.13	-3.98
Stage 4	-4.1	-3.19	-5.32
Stage 4	-4.3	-4.56	-6.87
Stage 4	-4.5	-6.29	-8.63
Stage 4	-4.7	-8.41	-10.6
Stage 4	-4.9	-10.96	-12.77
Stage 4	-5.1	-14	-15.16
Stage 4	-5.3	-17.61	-18.09
Stage 4	-5.5	-21.86	-21.25
Stage 4	-5.7	-26.79	-24.65
Stage 4	-5.9	-32.45	-28.28
Stage 4	-6.1	-38.88	-32.14
Stage 4	-6.3	-46.13	-36.25
Stage 4	-6.5	-54.24	-40.58
Stage 4	-6.7	-63.27	-45.15
Stage 4	-6.9	-73.26	-49.95
Stage 4	-7.1	-84.26	-54.99
Stage 4	-7.3	-96.31	-60.25
Stage 4	-7.5	-109.46	-65.76
Stage 4	-7.7	-123.76	-71.49
Stage 4	-7.9	-139.25	-77.46
Stage 4	-8.1	-155.98	-83.65
Stage 4	-8.3	-174	-90.09
Stage 4	-8.5	-193.35	-96.75
Stage 4	-8.7	-214.08	-103.67
Stage 4	-8.9	-236.25	-110.82
Stage 4	-9	-247.88	-116.36
Stage 4	-9.2	-176.68	356.03
Stage 4	-9.4	-107.02	348.29
Stage 4	-9.6	-38.95	340.32
Stage 4	-9.8	27.47	332.12
Stage 4	-10	92.21	323.68
Stage 4	-10.2	155.21	315.01
Stage 4	-10.4	216.35	305.7
Stage 4	-10.6	275.58	296.13
Stage 4	-10.8	332.84	286.34
Stage 4	-11	388.11	276.31
Stage 4	-11.2	441.32	266.05
Stage 4	-11.4	492.43	255.56
Stage 4	-11.6	541.39	244.84
Stage 4	-11.8	588.17	233.88
Stage 4	-12	632.71	222.7
Stage 4	-12.2	674.97	211.29
Stage 4	-12.4	714.9	199.66
Stage 4	-12.6	752.46	187.79
Stage 4	-12.8	787.6	175.7
Stage 4	-13	820.27	163.38
Stage 4	-13.2	850.44	150.84
Stage 4	-13.4	878.06	138.08
Stage 4	-13.6	903.08	125.1
Stage 4	-13.8	925.45	111.89
Stage 4	-14	945.15	98.47
Stage 4	-14.2	962.11	84.82
Stage 4	-14.4	976.3	70.96
Stage 4	-14.5	982.34	60.4
Stage 4	-14.7	1041.53	295.95
Stage 4	-14.9	1097.84	281.55
Stage 4	-15.1	1151.23	266.92
Stage 4	-15.3	1201.66	252.14

Design Assumption: A2+M2+R1 Risultati Paratia		Muro: LEFT	
Stage	Z (m)	Momento (kN*m/m)	Taglio (kN/m)
Stage 4	-15.5	1249.08	237.14
Stage 4	-15.7	1293.46	221.91
Stage 4	-15.9	1334.75	206.4
Stage 4	-16.1	1372.88	190.67
Stage 4	-16.3	1407.82	174.71
Stage 4	-16.5	1439.53	158.53
Stage 4	-16.7	1467.96	142.13
Stage 4	-16.9	1493.06	125.51
Stage 4	-17.1	1514.79	108.67
Stage 4	-17.3	1533.11	91.61
Stage 4	-17.5	1547.98	74.33
Stage 4	-17.7	1559.35	56.84
Stage 4	-17.9	1567.17	39.12
Stage 4	-18.1	1571.41	21.18
Stage 4	-18.3	1572.01	3.03
Stage 4	-18.5	1568.94	-15.34
Stage 4	-18.7	1562.16	-33.93
Stage 4	-18.9	1551.61	-52.74
Stage 4	-19.1	1537.26	-71.77
Stage 4	-19.3	1519.05	-91.02
Stage 4	-19.5	1496.95	-110.51
Stage 4	-19.7	1470.9	-130.23
Stage 4	-19.9	1440.87	-150.19
Stage 4	-20.1	1406.79	-170.37
Stage 4	-20.3	1368.63	-190.8
Stage 4	-20.5	1326.34	-211.45
Stage 4	-20.7	1279.87	-232.35
Stage 4	-20.9	1229.18	-253.47
Stage 4	-21.1	1174.21	-274.83
Stage 4	-21.3	1115.21	-295.01
Stage 4	-21.5	1052.69	-312.6
Stage 4	-21.7	987.17	-327.61
Stage 4	-21.9	919.16	-340.03
Stage 4	-22.1	849.19	-349.88
Stage 4	-22.3	777.76	-357.13
Stage 4	-22.5	705.4	-361.81
Stage 4	-22.7	632.62	-363.9
Stage 4	-22.9	559.94	-363.39
Stage 4	-23.1	487.88	-360.3
Stage 4	-23.3	416.95	-354.62
Stage 4	-23.5	347.68	-346.37
Stage 4	-23.7	280.57	-335.52
Stage 4	-23.9	216.16	-322.09
Stage 4	-24.1	154.94	-306.06
Stage 4	-24.3	97.45	-287.45
Stage 4	-24.5	44.21	-266.24
Stage 4	-24.7	-4.29	-242.45
Stage 4	-24.9	-47.5	-216.08
Stage 4	-25.1	-84.92	-187.11
Stage 4	-25.3	-116.03	-155.55
Stage 4	-25.5	-140.31	-121.41
Stage 4	-25.7	-157.25	-84.66
Stage 4	-25.9	-166.33	-45.42
Stage 4	-26.1	-167.06	-3.65
Stage 4	-26.3	-158.94	40.61
Stage 4	-26.5	-141.46	87.38
Stage 4	-26.7	-114.13	136.64
Stage 4	-26.9	-76.77	186.81
Stage 4	-27.1	-38.68	190.48
Stage 4	-27.3	-10.65	140.15
Stage 4	-27.5	0	53.24

Tabella Risultati Paratia A2+M2+R1 - Left Wall - Stage: Stage 5

Design Assumption: A2+M2+R1 Risultati Paratia		Muro: LEFT	
Stage	Z (m)	Momento (kN*m/m)	Taglio (kN/m)
Stage 5	-2.5	0	0
Stage 5	-2.7	0	0
Stage 5	-2.7	0	0
Stage 5	-2.9	-0.04	-0.18
Stage 5	-3.1	-0.14	-0.52
Stage 5	-3.3	-0.34	-1.02
Stage 5	-3.5	-0.69	-1.71
Stage 5	-3.7	-1.2	-2.56
Stage 5	-3.9	-1.92	-3.6
Stage 5	-4.1	-2.88	-4.82
Stage 5	-4.3	-4.16	-6.38
Stage 5	-4.5	-5.79	-8.13
Stage 5	-4.7	-7.81	-10.1
Stage 5	-4.9	-10.26	-12.27
Stage 5	-5.1	-13.19	-14.67
Stage 5	-5.3	-16.71	-17.59
Stage 5	-5.5	-20.86	-20.76
Stage 5	-5.7	-25.69	-24.15
Stage 5	-5.9	-31.25	-27.78
Stage 5	-6.1	-37.58	-31.64
Stage 5	-6.3	-44.73	-35.75
Stage 5	-6.5	-52.74	-40.08
Stage 5	-6.7	-61.67	-44.65
Stage 5	-6.9	-71.56	-49.45
Stage 5	-7.1	-82.46	-54.49
Stage 5	-7.3	-94.41	-59.75
Stage 5	-7.5	-107.46	-65.26
Stage 5	-7.7	-121.66	-70.99
Stage 5	-7.9	-137.05	-76.96
Stage 5	-8.1	-153.69	-83.15
Stage 5	-8.3	-171.6	-89.59
Stage 5	-8.5	-190.85	-96.25
Stage 5	-8.7	-211.49	-103.16
Stage 5	-8.9	-233.55	-110.31
Stage 5	-9	-245.13	-115.85
Stage 5	-9.2	-173.78	356.76
Stage 5	-9.4	-103.98	349.03
Stage 5	-9.6	-35.76	341.06
Stage 5	-9.8	30.81	332.86
Stage 5	-10	95.69	324.43
Stage 5	-10.2	158.85	315.76
Stage 5	-10.4	220.14	306.45
Stage 5	-10.6	279.52	296.9
Stage 5	-10.8	336.94	287.11
Stage 5	-11	392.36	277.09
Stage 5	-11.2	445.72	266.84
Stage 5	-11.4	497	256.35
Stage 5	-11.6	546.12	245.64
Stage 5	-11.8	593.06	234.69
Stage 5	-12	637.77	223.52
Stage 5	-12.2	680.19	212.11
Stage 5	-12.4	720.29	200.49
Stage 5	-12.6	758.01	188.62
Stage 5	-12.8	793.32	176.54
Stage 5	-13	826.16	164.22
Stage 5	-13.2	856.5	151.68
Stage 5	-13.4	884.28	138.92
Stage 5	-13.6	909.47	125.93
Stage 5	-13.8	932.01	112.72
Stage 5	-14	951.87	99.29
Stage 5	-14.2	968.99	85.63
Stage 5	-14.4	983.34	71.75
Stage 5	-14.5	989.46	61.17
Stage 5	-14.7	1048.82	296.81
Stage 5	-14.9	1105.3	282.38
Stage 5	-15.1	1158.84	267.72
Stage 5	-15.3	1209.42	252.9

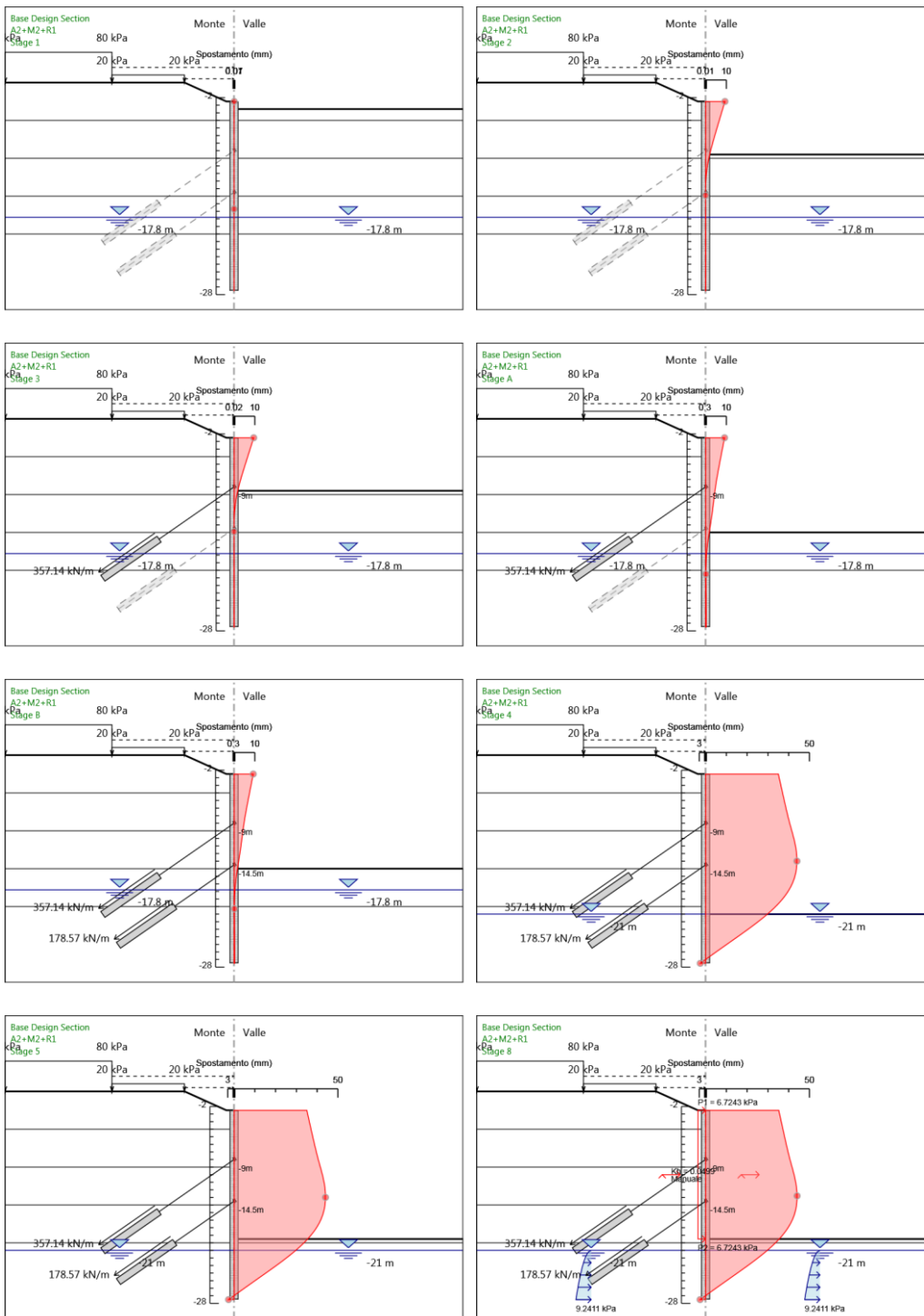
Design Assumption: A2+M2+R1 Risultati Paratia		Muro: LEFT	
Stage	Z (m)	Momento (kN*m/m)	Taglio (kN/m)
Stage 5	-15.5	1256.99	237.85
Stage 5	-15.7	1301.51	222.58
Stage 5	-15.9	1342.92	207.07
Stage 5	-16.1	1381.19	191.33
Stage 5	-16.3	1416.26	175.37
Stage 5	-16.5	1448.1	159.19
Stage 5	-16.7	1476.66	142.79
Stage 5	-16.9	1501.9	126.17
Stage 5	-17.1	1523.76	109.33
Stage 5	-17.3	1542.22	92.28
Stage 5	-17.5	1557.22	74.99
Stage 5	-17.7	1568.72	57.5
Stage 5	-17.9	1576.67	39.77
Stage 5	-18.1	1580.99	21.61
Stage 5	-18.3	1581.59	3.01
Stage 5	-18.5	1578.39	-16.02
Stage 5	-18.7	1571.28	-35.52
Stage 5	-18.9	1560.19	-55.47
Stage 5	-19.1	1545.01	-75.9
Stage 5	-19.3	1525.64	-96.82
Stage 5	-19.5	1502	-118.24
Stage 5	-19.7	1473.96	-140.17
Stage 5	-19.9	1441.49	-162.38
Stage 5	-20.1	1404.51	-184.89
Stage 5	-20.3	1363.14	-206.87
Stage 5	-20.5	1317.32	-229.06
Stage 5	-20.7	1267.03	-251.48
Stage 5	-20.9	1212.26	-273.81
Stage 5	-21.1	1153.05	-296.06
Stage 5	-21.3	1091.33	-308.59
Stage 5	-21.5	1027.23	-320.51
Stage 5	-21.7	961.01	-331.1
Stage 5	-21.9	893	-340.05
Stage 5	-22.1	823.57	-347.18
Stage 5	-22.3	753.1	-352.35
Stage 5	-22.5	682.01	-355.46
Stage 5	-22.7	610.72	-356.41
Stage 5	-22.9	539.7	-355.14
Stage 5	-23.1	469.37	-351.59
Stage 5	-23.3	400.24	-345.69
Stage 5	-23.5	332.75	-337.42
Stage 5	-23.7	267.41	-326.71
Stage 5	-23.9	204.7	-313.56
Stage 5	-24.1	145.12	-297.9
Stage 5	-24.3	89.18	-279.72
Stage 5	-24.5	37.38	-259
Stage 5	-24.7	-9.77	-235.72
Stage 5	-24.9	-51.74	-209.86
Stage 5	-25.1	-88.02	-181.4
Stage 5	-25.3	-118.08	-150.33
Stage 5	-25.5	-141.41	-116.65
Stage 5	-25.7	-157.52	-80.54
Stage 5	-25.9	-165.97	-42.23
Stage 5	-26.1	-166.29	-1.61
Stage 5	-26.3	-157.96	41.64
Stage 5	-26.5	-140.46	87.54
Stage 5	-26.7	-113.24	136.07
Stage 5	-26.9	-76.12	185.63
Stage 5	-27.1	-38.27	189.25
Stage 5	-27.3	-10.48	138.94
Stage 5	-27.5	0	52.39

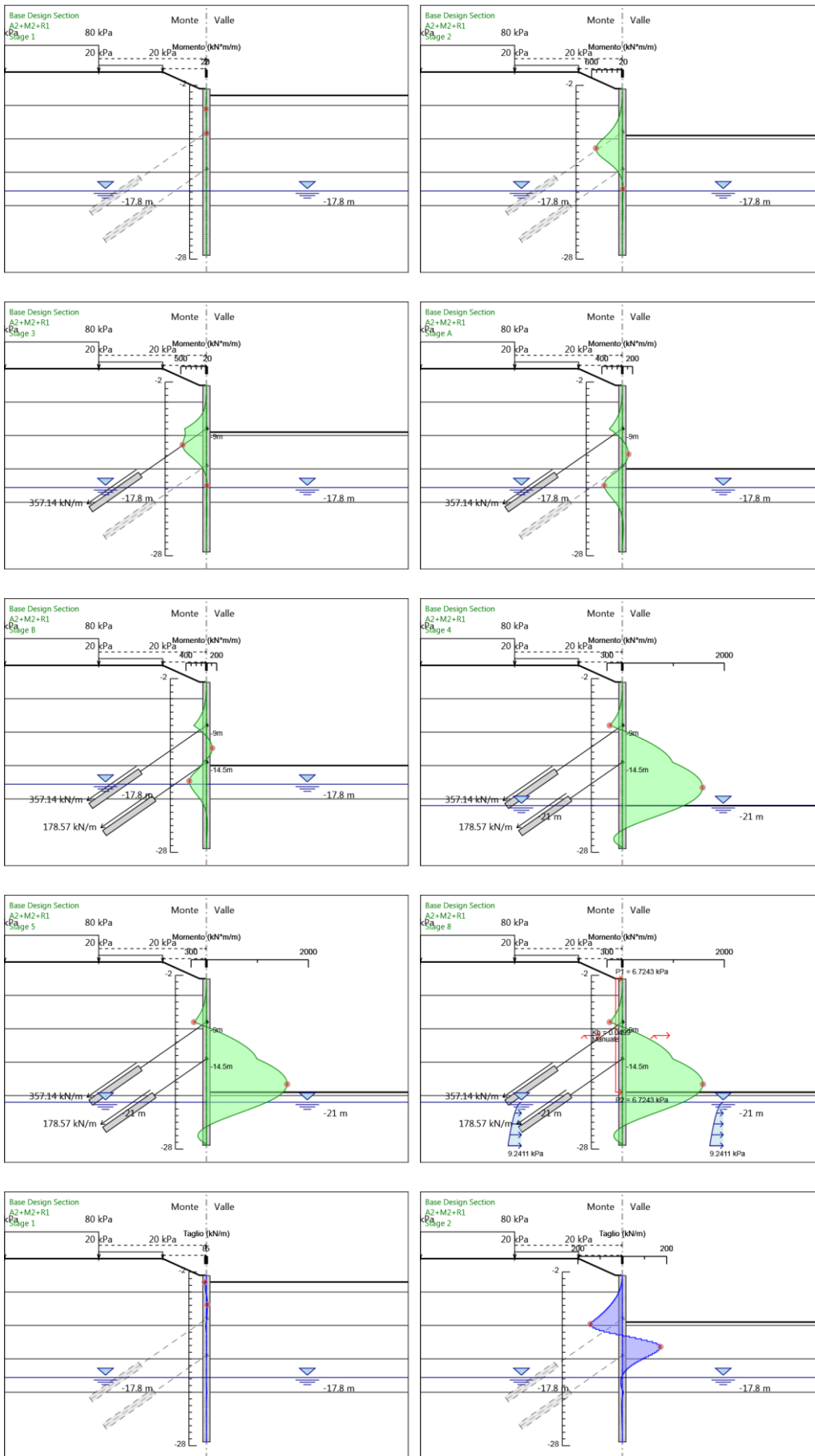
Tabella Risultati Paratia A2+M2+R1 - Left Wall - Stage: Stage 8

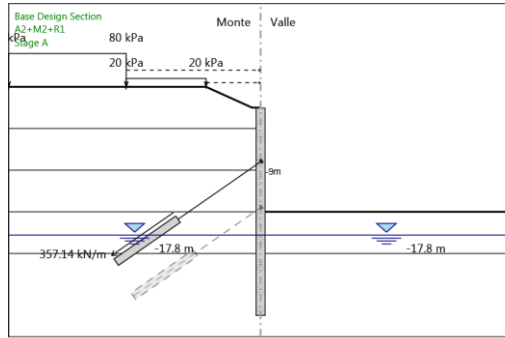
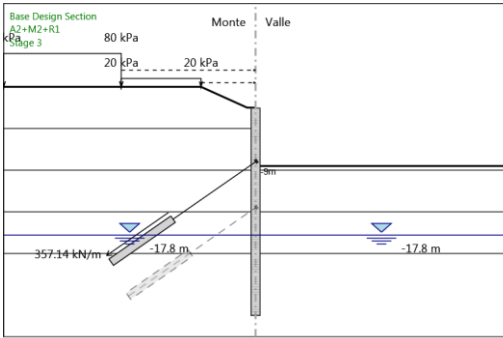
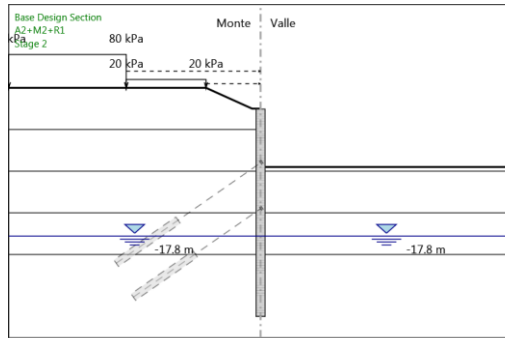
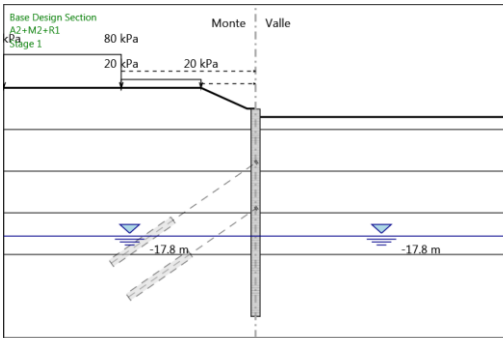
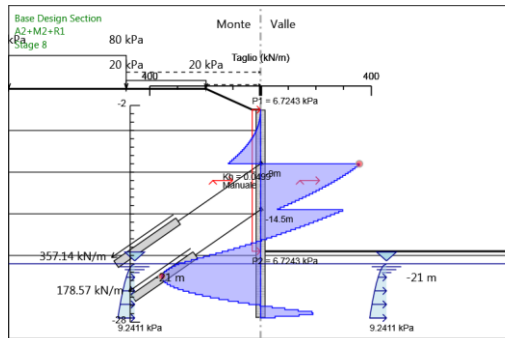
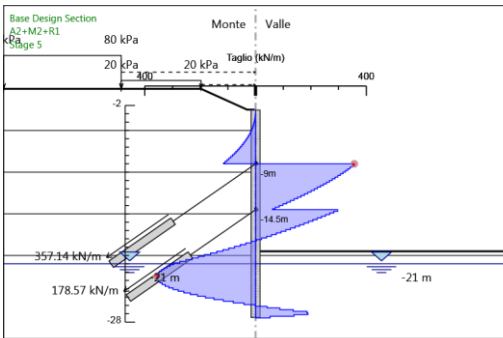
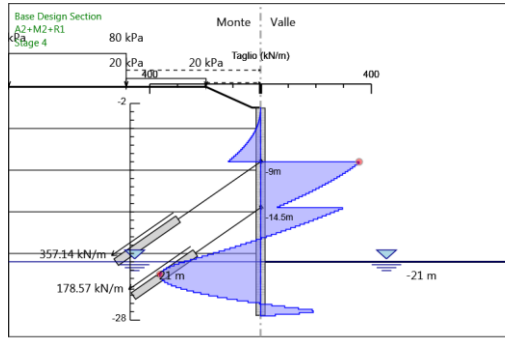
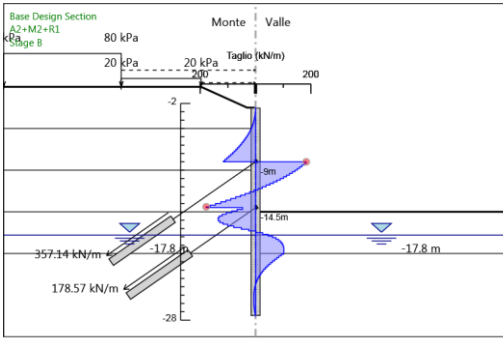
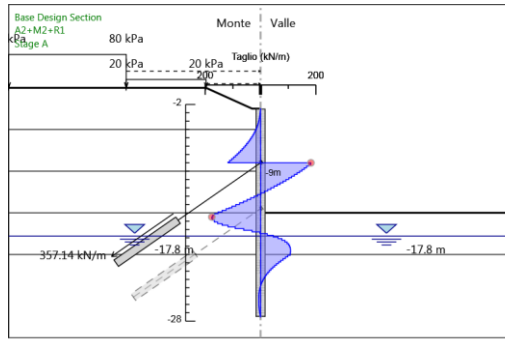
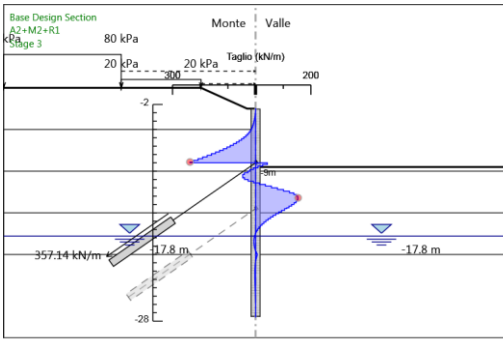
Design Assumption: A2+M2+R1 Risultati Paratia		Muro: LEFT	
Stage	Z (m)	Momento (kN*m/m)	Taglio (kN/m)
Stage 8	-2.5	0	-0.01
Stage 8	-2.7	0	-0.01
Stage 8	-2.7	0	-0.01
Stage 8	-2.9	-0.04	-0.2
Stage 8	-3.1	-0.16	-0.58
Stage 8	-3.3	-0.38	-1.14
Stage 8	-3.5	-0.76	-1.89
Stage 8	-3.7	-1.33	-2.84
Stage 8	-3.9	-2.13	-3.98
Stage 8	-4.1	-3.19	-5.32
Stage 8	-4.3	-4.56	-6.87
Stage 8	-4.5	-6.29	-8.63
Stage 8	-4.7	-8.41	-10.6
Stage 8	-4.9	-10.96	-12.77
Stage 8	-5.1	-14	-15.16
Stage 8	-5.3	-17.61	-18.09
Stage 8	-5.5	-21.86	-21.25
Stage 8	-5.7	-26.79	-24.65
Stage 8	-5.9	-32.45	-28.28
Stage 8	-6.1	-38.88	-32.14
Stage 8	-6.3	-46.13	-36.25
Stage 8	-6.5	-54.24	-40.58
Stage 8	-6.7	-63.27	-45.15
Stage 8	-6.9	-73.26	-49.95
Stage 8	-7.1	-84.26	-54.99
Stage 8	-7.3	-96.31	-60.25
Stage 8	-7.5	-109.46	-65.76
Stage 8	-7.7	-123.76	-71.49
Stage 8	-7.9	-139.25	-77.46
Stage 8	-8.1	-155.98	-83.65
Stage 8	-8.3	-174	-90.09
Stage 8	-8.5	-193.35	-96.75
Stage 8	-8.7	-214.08	-103.66
Stage 8	-8.9	-236.24	-110.8
Stage 8	-9	-247.87	-116.35
Stage 8	-9.2	-176.54	356.68
Stage 8	-9.4	-106.75	348.94
Stage 8	-9.6	-38.55	340.98
Stage 8	-9.8	28	332.77
Stage 8	-10	92.87	324.34
Stage 8	-10.2	156.01	315.68
Stage 8	-10.4	217.28	306.37
Stage 8	-10.6	276.64	296.81
Stage 8	-10.8	334.05	287.03
Stage 8	-11	389.45	277.01
Stage 8	-11.2	442.8	266.76
Stage 8	-11.4	494.06	256.27
Stage 8	-11.6	543.17	245.56
Stage 8	-11.8	590.09	234.61
Stage 8	-12	634.78	223.44
Stage 8	-12.2	677.18	212.03
Stage 8	-12.4	717.26	200.4
Stage 8	-12.6	754.97	188.54
Stage 8	-12.8	790.26	176.45
Stage 8	-13	823.09	164.14
Stage 8	-13.2	853.41	151.6
Stage 8	-13.4	881.17	138.83
Stage 8	-13.6	906.34	125.85
Stage 8	-13.8	928.87	112.64
Stage 8	-14	948.71	99.2
Stage 8	-14.2	965.82	85.55
Stage 8	-14.4	980.15	71.67
Stage 8	-14.5	986.26	61.09
Stage 8	-14.7	1045.62	296.78
Stage 8	-14.9	1102.09	282.35
Stage 8	-15.1	1155.63	267.69
Stage 8	-15.3	1206.2	252.87

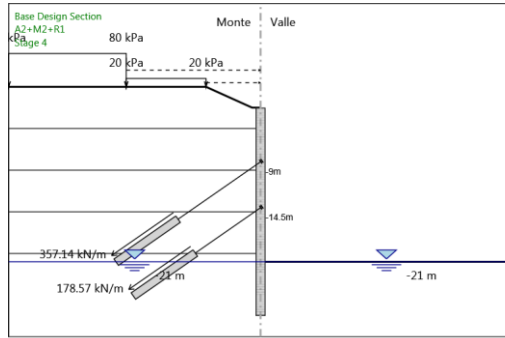
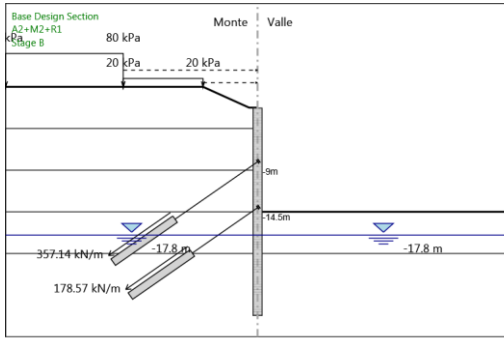
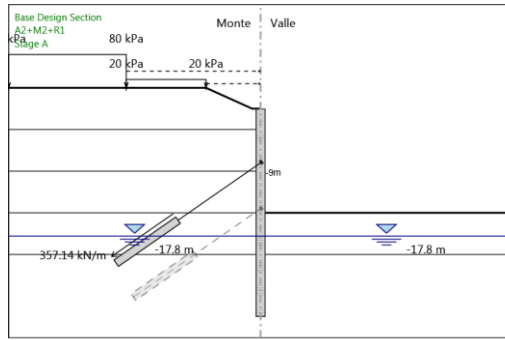
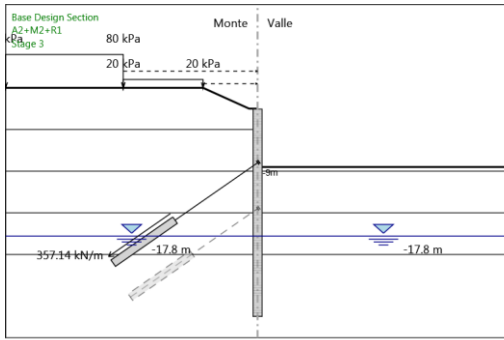
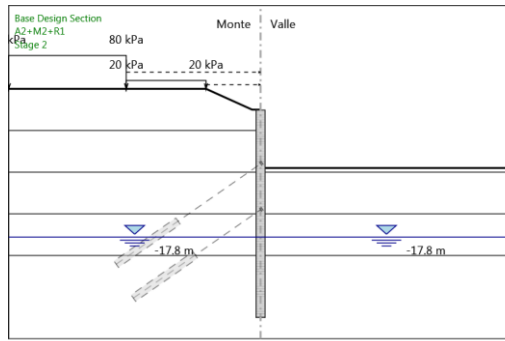
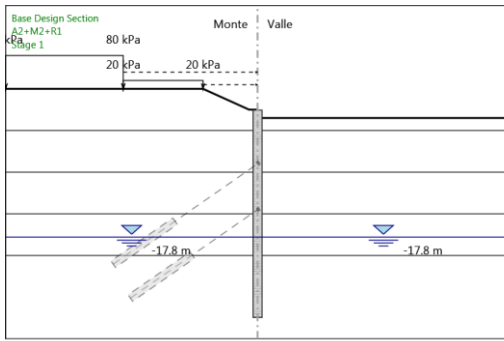
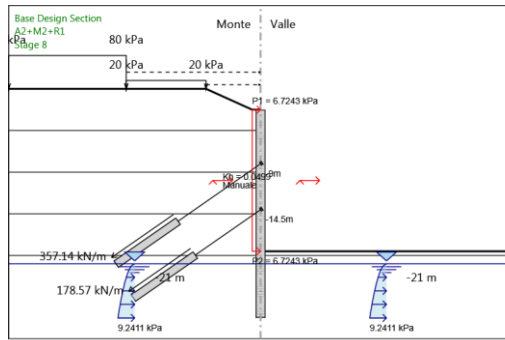
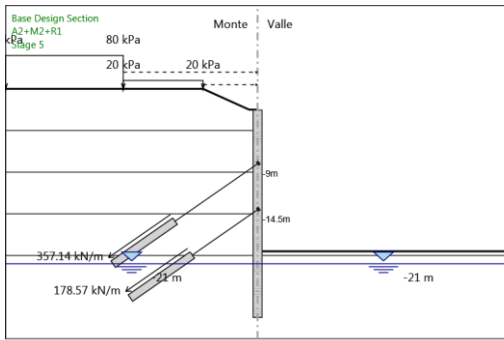
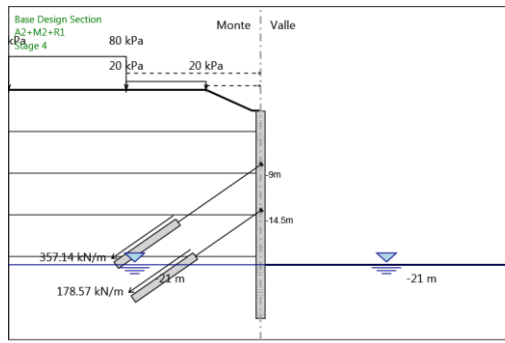
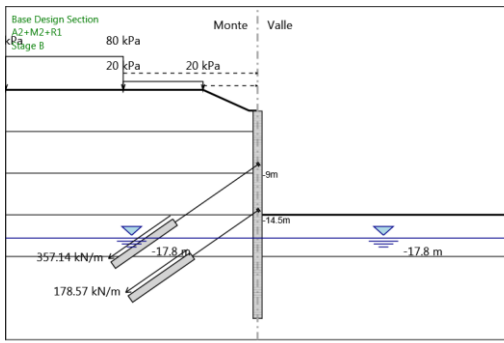
Design Assumption: A2+M2+R1 Risultati Paratia		Muro: LEFT	
Stage	Z (m)	Momento (kN*m/m)	Taglio (kN/m)
Stage 8	-15.5	1253.76	237.82
Stage 8	-15.7	1298.27	222.55
Stage 8	-15.9	1339.68	207.04
Stage 8	-16.1	1377.94	191.3
Stage 8	-16.3	1413.01	175.34
Stage 8	-16.5	1444.84	159.16
Stage 8	-16.7	1473.39	142.76
Stage 8	-16.9	1498.62	126.14
Stage 8	-17.1	1520.48	109.3
Stage 8	-17.3	1538.93	92.24
Stage 8	-17.5	1553.92	74.96
Stage 8	-17.7	1565.42	57.47
Stage 8	-17.9	1573.41	39.95
Stage 8	-18.1	1577.8	21.97
Stage 8	-18.3	1578.51	3.52
Stage 8	-18.5	1575.43	-15.39
Stage 8	-18.7	1568.47	-34.79
Stage 8	-18.9	1557.54	-54.68
Stage 8	-19.1	1542.52	-75.05
Stage 8	-19.3	1523.34	-95.94
Stage 8	-19.5	1499.87	-117.34
Stage 8	-19.7	1472.02	-139.26
Stage 8	-19.9	1439.72	-161.5
Stage 8	-20.1	1402.91	-184.04
Stage 8	-20.3	1361.7	-206.04
Stage 8	-20.5	1316.05	-228.25
Stage 8	-20.7	1265.91	-250.69
Stage 8	-20.9	1211.3	-273.07
Stage 8	-21.1	1152.22	-295.37
Stage 8	-21.3	1090.63	-307.95
Stage 8	-21.5	1026.65	-319.92
Stage 8	-21.7	960.53	-330.57
Stage 8	-21.9	892.62	-339.57
Stage 8	-22.1	823.27	-346.76
Stage 8	-22.3	752.87	-351.98
Stage 8	-22.5	681.84	-355.13
Stage 8	-22.7	610.62	-356.13
Stage 8	-22.9	539.64	-354.9
Stage 8	-23.1	469.36	-351.39
Stage 8	-23.3	400.25	-345.52
Stage 8	-23.5	332.8	-337.29
Stage 8	-23.7	267.47	-326.61
Stage 8	-23.9	204.78	-313.48
Stage 8	-24.1	145.21	-297.85
Stage 8	-24.3	89.27	-279.69
Stage 8	-24.5	37.47	-258.99
Stage 8	-24.7	-9.67	-235.72
Stage 8	-24.9	-51.65	-209.87
Stage 8	-25.1	-87.93	-181.42
Stage 8	-25.3	-118	-150.37
Stage 8	-25.5	-141.34	-116.69
Stage 8	-25.7	-157.46	-80.59
Stage 8	-25.9	-165.92	-42.28
Stage 8	-26.1	-166.25	-1.66
Stage 8	-26.3	-157.93	41.59
Stage 8	-26.5	-140.43	87.5
Stage 8	-26.7	-113.23	136.03
Stage 8	-26.9	-76.11	185.59
Stage 8	-27.1	-38.26	189.23
Stage 8	-27.3	-10.48	138.93
Stage 8	-27.5	0	52.39

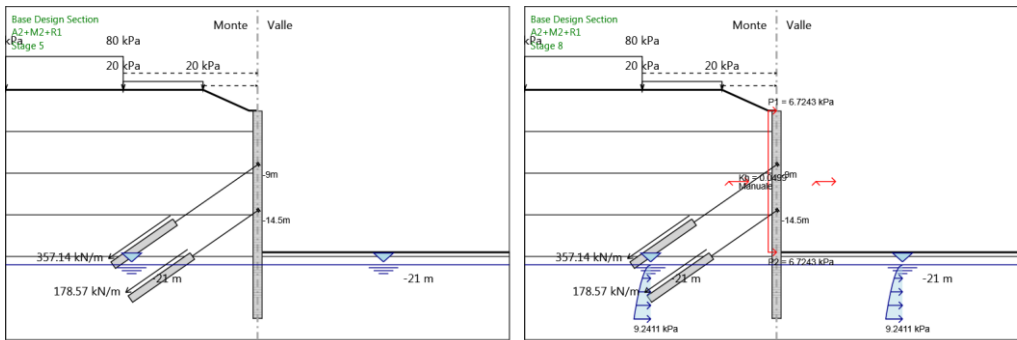
Tabella Grafici dei Risultati











Risultati Elementi strutturali - A2+M2+R1

Design Assumption: A2+M2+R1 Sollecitazione Tieback

Stage	Forza (kN/m)
Stage 3	357.1
Stage A	372.1436
Stage B	372.2731
Stage 4	583.5542
Stage 5	583.8163
Stage 8	584.3212

Design Assumption: A2+M2+R1 Sollecitazione Tieback_New

Stage	Forza (kN/m)
Stage B	178.6
Stage 4	300.555
Stage 5	300.6742
Stage 8	300.7379

Risultati SISMICA STR

Tabella Risultati Paratia SISMICA STR - Left Wall - Stage: Stage 1

Design Assumption: SISMICA STR Risultati Paratia		Muro: LEFT	
Stage	Z (m)	Momento (kN*m/m)	Taglio (kN/m)
Stage 1	-2.5	0	0
Stage 1	-2.7	0	0
Stage 1	-2.9	-0.03	-0.15
Stage 1	-3.1	-0.11	-0.42
Stage 1	-3.3	-0.4	-1.44
Stage 1	-3.5	-1.09	-3.44
Stage 1	-3.7	-2.37	-6.38
Stage 1	-3.9	-3.46	-5.45
Stage 1	-4.1	-4.4	-4.7
Stage 1	-4.3	-5.22	-4.11
Stage 1	-4.5	-5.95	-3.68
Stage 1	-4.7	-6.64	-3.41
Stage 1	-4.9	-7.29	-3.28
Stage 1	-5.1	-7.95	-3.29
Stage 1	-5.3	-8.27	-1.58
Stage 1	-5.5	-8.3	-0.17
Stage 1	-5.7	-8.1	0.98
Stage 1	-5.9	-7.73	1.89
Stage 1	-6.1	-7.21	2.59
Stage 1	-6.3	-6.59	3.11
Stage 1	-6.5	-5.89	3.47
Stage 1	-6.7	-5.15	3.7
Stage 1	-6.9	-4.39	3.81
Stage 1	-7.1	-3.62	3.83
Stage 1	-7.3	-2.87	3.76
Stage 1	-7.5	-2.15	3.61
Stage 1	-7.7	-1.47	3.41
Stage 1	-7.9	-0.84	3.15
Stage 1	-8.1	-0.27	2.84
Stage 1	-8.3	0.22	2.48
Stage 1	-8.5	0.64	2.08
Stage 1	-8.7	0.97	1.63
Stage 1	-8.9	1.19	1.14
Stage 1	-9	1.27	0.73
Stage 1	-9.2	1.33	0.31
Stage 1	-9.4	1.27	-0.32
Stage 1	-9.6	1.06	-1.01
Stage 1	-9.8	0.71	-1.76
Stage 1	-10	0.19	-2.58
Stage 1	-10.2	-0.5	-3.48
Stage 1	-10.4	-1.02	-2.59
Stage 1	-10.6	-1.39	-1.83
Stage 1	-10.8	-1.62	-1.18
Stage 1	-11	-1.75	-0.65
Stage 1	-11.2	-1.79	-0.22
Stage 1	-11.4	-1.77	0.13
Stage 1	-11.6	-1.69	0.39
Stage 1	-11.8	-1.57	0.59
Stage 1	-12	-1.43	0.72
Stage 1	-12.2	-1.27	0.81
Stage 1	-12.4	-1.1	0.85
Stage 1	-12.6	-0.93	0.86
Stage 1	-12.8	-0.76	0.84
Stage 1	-13	-0.6	0.8
Stage 1	-13.2	-0.45	0.74
Stage 1	-13.4	-0.31	0.67
Stage 1	-13.6	-0.2	0.59
Stage 1	-13.8	-0.1	0.5
Stage 1	-14	-0.01	0.41
Stage 1	-14.2	0.05	0.3
Stage 1	-14.4	0.09	0.19
Stage 1	-14.5	0.1	0.1
Stage 1	-14.7	0.1	0.01
Stage 1	-14.9	0.08	-0.12

Design Assumption: SISMICA STR Risultati Paratia		Muro: LEFT	
Stage	Z (m)	Momento (kN*m/m)	Taglio (kN/m)
Stage 1	-15.1	0.02	-0.25
Stage 1	-15.3	-0.02	-0.23
Stage 1	-15.5	-0.07	-0.22
Stage 1	-15.7	-0.11	-0.22
Stage 1	-15.9	-0.15	-0.22
Stage 1	-16.1	-0.2	-0.24
Stage 1	-16.3	-0.25	-0.26
Stage 1	-16.5	-0.31	-0.29
Stage 1	-16.7	-0.37	-0.32
Stage 1	-16.9	-0.44	-0.35
Stage 1	-17.1	-0.52	-0.39
Stage 1	-17.3	-0.6	-0.42
Stage 1	-17.5	-0.69	-0.44
Stage 1	-17.7	-0.78	-0.46
Stage 1	-17.9	-0.88	-0.46
Stage 1	-18.1	-0.97	-0.45
Stage 1	-18.3	-1.05	-0.4
Stage 1	-18.5	-1.11	-0.33
Stage 1	-18.7	-1.16	-0.22
Stage 1	-18.9	-1.17	-0.07
Stage 1	-19.1	-1.14	0.14
Stage 1	-19.3	-1.06	0.4
Stage 1	-19.5	-0.92	0.74
Stage 1	-19.7	-0.69	1.14
Stage 1	-19.9	-0.36	1.63
Stage 1	-20.1	0.08	2.19
Stage 1	-20.3	0.42	1.71
Stage 1	-20.5	0.67	1.28
Stage 1	-20.7	0.86	0.91
Stage 1	-20.9	0.98	0.6
Stage 1	-21.1	1.04	0.34
Stage 1	-21.3	1.07	0.12
Stage 1	-21.5	1.06	-0.04
Stage 1	-21.7	1.02	-0.18
Stage 1	-21.9	0.97	-0.27
Stage 1	-22.1	0.9	-0.34
Stage 1	-22.3	0.82	-0.39
Stage 1	-22.5	0.74	-0.41
Stage 1	-22.7	0.66	-0.42
Stage 1	-22.9	0.57	-0.42
Stage 1	-23.1	0.49	-0.4
Stage 1	-23.3	0.42	-0.38
Stage 1	-23.5	0.35	-0.35
Stage 1	-23.7	0.28	-0.32
Stage 1	-23.9	0.23	-0.28
Stage 1	-24.1	0.18	-0.25
Stage 1	-24.3	0.13	-0.22
Stage 1	-24.5	0.1	-0.18
Stage 1	-24.7	0.07	-0.15
Stage 1	-24.9	0.04	-0.12
Stage 1	-25.1	0.02	-0.1
Stage 1	-25.3	0.01	-0.07
Stage 1	-25.5	0	-0.05
Stage 1	-25.7	-0.01	-0.03
Stage 1	-25.9	-0.01	-0.02
Stage 1	-26.1	-0.01	-0.01
Stage 1	-26.3	-0.01	0
Stage 1	-26.5	-0.01	0.01
Stage 1	-26.7	-0.01	0.01
Stage 1	-26.9	-0.01	0.02
Stage 1	-27.1	0	0.01
Stage 1	-27.3	0	0.01
Stage 1	-27.5	0	0

Tabella Risultati Paratia SISMICA STR - Left Wall - Stage: Stage 2

Design Assumption: SISMICA STR Risultati Paratia		Muro: LEFT	
Stage	Z (m)	Momento (kN*m/m)	Taglio (kN/m)
Stage 2	-2.5	0	0
Stage 2	-2.7	0	0
Stage 2	-2.7	0	0
Stage 2	-2.9	-0.03	-0.15
Stage 2	-3.1	-0.11	-0.42
Stage 2	-3.3	-0.28	-0.84
Stage 2	-3.5	-0.56	-1.4
Stage 2	-3.7	-0.98	-2.1
Stage 2	-3.9	-1.57	-2.95
Stage 2	-4.1	-2.36	-3.94
Stage 2	-4.3	-3.38	-5.09
Stage 2	-4.5	-4.66	-6.4
Stage 2	-4.7	-6.23	-7.86
Stage 2	-4.9	-8.13	-9.48
Stage 2	-5.1	-10.38	-11.25
Stage 2	-5.3	-13.07	-13.45
Stage 2	-5.5	-16.23	-15.84
Stage 2	-5.7	-19.91	-18.4
Stage 2	-5.9	-24.14	-21.13
Stage 2	-6.1	-28.95	-24.04
Stage 2	-6.3	-34.38	-27.13
Stage 2	-6.5	-40.45	-30.39
Stage 2	-6.7	-47.22	-33.84
Stage 2	-6.9	-54.71	-37.45
Stage 2	-7.1	-62.96	-41.25
Stage 2	-7.3	-72	-45.21
Stage 2	-7.5	-81.88	-49.36
Stage 2	-7.7	-92.61	-53.67
Stage 2	-7.9	-104.24	-58.17
Stage 2	-8.1	-116.81	-62.83
Stage 2	-8.3	-130.35	-67.68
Stage 2	-8.5	-144.88	-72.69
Stage 2	-8.7	-160.46	-77.89
Stage 2	-8.9	-177.11	-83.26
Stage 2	-9	-185.86	-87.43
Stage 2	-9.2	-204.19	-91.66
Stage 2	-9.4	-223.68	-97.47
Stage 2	-9.6	-244.37	-103.46
Stage 2	-9.8	-265.47	-105.51
Stage 2	-10	-285.37	-99.49
Stage 2	-10.2	-302.45	-85.41
Stage 2	-10.4	-315.69	-66.2
Stage 2	-10.6	-323.83	-40.68
Stage 2	-10.8	-327	-15.84
Stage 2	-11	-325.32	8.41
Stage 2	-11.2	-318.88	32.16
Stage 2	-11.4	-307.88	55.01
Stage 2	-11.6	-292.65	76.17
Stage 2	-11.8	-274.31	91.69
Stage 2	-12	-253.84	102.34
Stage 2	-12.2	-232.08	108.83
Stage 2	-12.4	-209.71	111.83
Stage 2	-12.6	-187.32	111.94
Stage 2	-12.8	-165.38	109.7
Stage 2	-13	-144.26	105.63
Stage 2	-13.2	-124.23	100.13
Stage 2	-13.4	-105.51	93.61
Stage 2	-13.6	-88.24	86.37
Stage 2	-13.8	-72.5	78.69
Stage 2	-14	-58.33	70.81
Stage 2	-14.2	-45.75	62.92
Stage 2	-14.4	-34.72	55.16
Stage 2	-14.5	-29.77	49.53
Stage 2	-14.7	-20.96	44.02
Stage 2	-14.9	-13.55	37.05
Stage 2	-15.1	-7.45	30.51
Stage 2	-15.3	-2.47	24.91

Design Assumption: SISMICA STR Risultati Paratia		Muro: LEFT	
Stage	Z (m)	Momento (kN*m/m)	Taglio (kN/m)
Stage 2	-15.5	1.49	19.81
Stage 2	-15.7	4.54	15.23
Stage 2	-15.9	6.77	11.15
Stage 2	-16.1	8.29	7.57
Stage 2	-16.3	9.18	4.46
Stage 2	-16.5	9.54	1.8
Stage 2	-16.7	9.45	-0.44
Stage 2	-16.9	8.99	-2.28
Stage 2	-17.1	8.24	-3.75
Stage 2	-17.3	7.27	-4.88
Stage 2	-17.5	6.13	-5.68
Stage 2	-17.7	4.9	-6.17
Stage 2	-17.9	3.62	-6.38
Stage 2	-18.1	2.36	-6.32
Stage 2	-18.3	1.16	-6
Stage 2	-18.5	0.07	-5.42
Stage 2	-18.7	-0.84	-4.59
Stage 2	-18.9	-1.54	-3.5
Stage 2	-19.1	-1.97	-2.14
Stage 2	-19.3	-2.07	-0.51
Stage 2	-19.5	-1.8	1.4
Stage 2	-19.7	-1.08	3.6
Stage 2	-19.9	0.14	6.1
Stage 2	-20.1	1.92	8.9
Stage 2	-20.3	3.33	7.02
Stage 2	-20.5	4.4	5.36
Stage 2	-20.7	5.18	3.91
Stage 2	-20.9	5.71	2.66
Stage 2	-21.1	6.03	1.59
Stage 2	-21.3	6.17	0.69
Stage 2	-21.5	6.16	-0.05
Stage 2	-21.7	6.03	-0.64
Stage 2	-21.9	5.81	-1.11
Stage 2	-22.1	5.51	-1.47
Stage 2	-22.3	5.17	-1.73
Stage 2	-22.5	4.78	-1.91
Stage 2	-22.7	4.38	-2.01
Stage 2	-22.9	3.97	-2.06
Stage 2	-23.1	3.56	-2.05
Stage 2	-23.3	3.16	-2
Stage 2	-23.5	2.78	-1.92
Stage 2	-23.7	2.41	-1.82
Stage 2	-23.9	2.07	-1.7
Stage 2	-24.1	1.76	-1.56
Stage 2	-24.3	1.47	-1.42
Stage 2	-24.5	1.22	-1.28
Stage 2	-24.7	0.99	-1.14
Stage 2	-24.9	0.79	-0.99
Stage 2	-25.1	0.62	-0.86
Stage 2	-25.3	0.47	-0.73
Stage 2	-25.5	0.35	-0.61
Stage 2	-25.7	0.25	-0.5
Stage 2	-25.9	0.17	-0.39
Stage 2	-26.1	0.11	-0.3
Stage 2	-26.3	0.07	-0.23
Stage 2	-26.5	0.04	-0.16
Stage 2	-26.7	0.02	-0.1
Stage 2	-26.9	0.01	-0.06
Stage 2	-27.1	0	-0.03
Stage 2	-27.3	0	-0.01
Stage 2	-27.5	0	0

Tabella Risultati Paratia SISMICA STR - Left Wall - Stage: Stage 3

Design Assumption: SISMICA STR Risultati Paratia		Muro: LEFT	
Stage	Z (m)	Momento (kN*m/m)	Taglio (kN/m)
Stage 3	-2.5	0	0
Stage 3	-2.7	0	0
Stage 3	-2.9	-0.03	-0.15
Stage 3	-3.1	-0.11	-0.42
Stage 3	-3.3	-0.28	-0.84
Stage 3	-3.5	-0.56	-1.4
Stage 3	-3.7	-0.98	-2.1
Stage 3	-3.9	-1.57	-2.95
Stage 3	-4.1	-2.36	-3.94
Stage 3	-4.3	-3.38	-5.09
Stage 3	-4.5	-4.66	-6.4
Stage 3	-4.7	-6.23	-7.86
Stage 3	-4.9	-8.13	-9.48
Stage 3	-5.1	-10.38	-11.25
Stage 3	-5.3	-13.15	-13.85
Stage 3	-5.5	-16.61	-17.31
Stage 3	-5.7	-20.93	-21.61
Stage 3	-5.9	-26.29	-26.78
Stage 3	-6.1	-32.84	-32.79
Stage 3	-6.3	-40.78	-39.66
Stage 3	-6.5	-50.25	-47.37
Stage 3	-6.7	-61.44	-55.93
Stage 3	-6.9	-74.5	-65.31
Stage 3	-7.1	-89.6	-75.52
Stage 3	-7.3	-106.91	-86.51
Stage 3	-7.5	-126.56	-98.28
Stage 3	-7.7	-148.72	-110.79
Stage 3	-7.9	-173.52	-123.99
Stage 3	-8.1	-201.08	-137.83
Stage 3	-8.3	-231.53	-152.24
Stage 3	-8.5	-264.96	-167.15
Stage 3	-8.7	-301.45	-182.46
Stage 3	-8.9	-341.06	-198.05
Stage 3	-9	-362.05	-209.86
Stage 3	-9.2	-347.88	70.85
Stage 3	-9.4	-336.84	55.18
Stage 3	-9.6	-328.89	39.75
Stage 3	-9.8	-323.9	24.95
Stage 3	-10	-320.09	19.06
Stage 3	-10.2	-315.66	22.15
Stage 3	-10.4	-311.27	21.97
Stage 3	-10.6	-305.26	30.01
Stage 3	-10.8	-297.4	39.3
Stage 3	-11	-287.43	49.85
Stage 3	-11.2	-275.09	61.7
Stage 3	-11.4	-260.23	74.32
Stage 3	-11.6	-242.86	86.84
Stage 3	-11.8	-223.83	95.16
Stage 3	-12	-203.84	99.93
Stage 3	-12.2	-183.5	101.73
Stage 3	-12.4	-163.28	101.08
Stage 3	-12.6	-143.59	98.47
Stage 3	-12.8	-124.72	94.32
Stage 3	-13	-106.92	89.02
Stage 3	-13.2	-90.34	82.87
Stage 3	-13.4	-75.11	76.17
Stage 3	-13.6	-61.28	69.15
Stage 3	-13.8	-48.88	62.01
Stage 3	-14	-37.9	54.89
Stage 3	-14.2	-28.31	47.94
Stage 3	-14.4	-20.06	41.25
Stage 3	-14.5	-16.42	36.47
Stage 3	-14.7	-10.05	31.84
Stage 3	-14.9	-4.84	26.06
Stage 3	-15.1	-0.7	20.7
Stage 3	-15.3	2.56	16.3
Stage 3	-15.5	5.03	12.35

Design Assumption: SISMICA STR Risultati Paratia		Muro: LEFT	
Stage	Z (m)	Momento (kN*m/m)	Taglio (kN/m)
Stage 3	-15.7	6.8	8.85
Stage 3	-15.9	7.96	5.78
Stage 3	-16.1	8.58	3.12
Stage 3	-16.3	8.76	0.85
Stage 3	-16.5	8.54	-1.06
Stage 3	-16.7	8.02	-2.63
Stage 3	-16.9	7.24	-3.89
Stage 3	-17.1	6.27	-4.86
Stage 3	-17.3	5.16	-5.56
Stage 3	-17.5	3.96	-6
Stage 3	-17.7	2.72	-6.2
Stage 3	-17.9	1.48	-6.17
Stage 3	-18.1	0.3	-5.92
Stage 3	-18.3	-0.79	-5.46
Stage 3	-18.5	-1.75	-4.78
Stage 3	-18.7	-2.53	-3.88
Stage 3	-18.9	-3.08	-2.75
Stage 3	-19.1	-3.35	-1.39
Stage 3	-19.3	-3.31	0.23
Stage 3	-19.5	-2.88	2.12
Stage 3	-19.7	-2.03	4.28
Stage 3	-19.9	-0.68	6.74
Stage 3	-20.1	1.22	9.48
Stage 3	-20.3	2.73	7.56
Stage 3	-20.5	3.9	5.86
Stage 3	-20.7	4.77	4.36
Stage 3	-20.9	5.39	3.06
Stage 3	-21.1	5.78	1.95
Stage 3	-21.3	5.98	1.01
Stage 3	-21.5	6.03	0.23
Stage 3	-21.7	5.94	-0.4
Stage 3	-21.9	5.76	-0.91
Stage 3	-22.1	5.5	-1.3
Stage 3	-22.3	5.18	-1.59
Stage 3	-22.5	4.82	-1.8
Stage 3	-22.7	4.44	-1.92
Stage 3	-22.9	4.04	-1.99
Stage 3	-23.1	3.64	-2
Stage 3	-23.3	3.25	-1.97
Stage 3	-23.5	2.86	-1.91
Stage 3	-23.7	2.5	-1.82
Stage 3	-23.9	2.16	-1.71
Stage 3	-24.1	1.84	-1.58
Stage 3	-24.3	1.55	-1.45
Stage 3	-24.5	1.29	-1.31
Stage 3	-24.7	1.06	-1.17
Stage 3	-24.9	0.85	-1.03
Stage 3	-25.1	0.68	-0.89
Stage 3	-25.3	0.52	-0.76
Stage 3	-25.5	0.4	-0.64
Stage 3	-25.7	0.29	-0.53
Stage 3	-25.9	0.2	-0.43
Stage 3	-26.1	0.14	-0.33
Stage 3	-26.3	0.09	-0.25
Stage 3	-26.5	0.05	-0.18
Stage 3	-26.7	0.03	-0.12
Stage 3	-26.9	0.01	-0.07
Stage 3	-27.1	0	-0.04
Stage 3	-27.3	0	-0.01
Stage 3	-27.5	0	0

Tabella Risultati Paratia SISMICA STR - Left Wall - Stage: Stage A

Design Assumption: SISMICA STR Risultati Paratia		Muro: LEFT	
Stage	Z (m)	Momento (kN*m/m)	Taglio (kN/m)
Stage A	-2.5	0	-0.3
Stage A	-2.7	-0.06	-0.3
Stage A	-2.9	-0.7	-3.2
Stage A	-3.1	-1.98	-6.39
Stage A	-3.3	-3.89	-9.56
Stage A	-3.5	-6.42	-12.65
Stage A	-3.7	-9.55	-15.66
Stage A	-3.9	-13.27	-18.59
Stage A	-4.1	-17.56	-21.44
Stage A	-4.3	-22.4	-24.21
Stage A	-4.5	-27.78	-26.9
Stage A	-4.7	-33.68	-29.51
Stage A	-4.9	-40.09	-32.03
Stage A	-5.1	-46.98	-34.47
Stage A	-5.3	-54.59	-38.05
Stage A	-5.5	-62.96	-41.84
Stage A	-5.7	-72.12	-45.81
Stage A	-5.9	-82.11	-49.95
Stage A	-6.1	-92.95	-54.21
Stage A	-6.3	-104.67	-58.58
Stage A	-6.5	-117.27	-63.01
Stage A	-6.7	-130.77	-67.47
Stage A	-6.9	-145.14	-71.9
Stage A	-7.1	-160.4	-76.26
Stage A	-7.3	-176.49	-80.48
Stage A	-7.5	-193.42	-84.63
Stage A	-7.7	-211.21	-88.95
Stage A	-7.9	-229.9	-93.44
Stage A	-8.1	-249.52	-98.1
Stage A	-8.3	-270.11	-102.95
Stage A	-8.5	-291.7	-107.96
Stage A	-8.7	-314.33	-113.16
Stage A	-8.9	-338.04	-118.54
Stage A	-9	-350.31	-122.7
Stage A	-9.2	-316.65	168.3
Stage A	-9.4	-284.15	162.48
Stage A	-9.6	-252.85	156.5
Stage A	-9.8	-222.79	150.33
Stage A	-10	-193.99	144
Stage A	-10.2	-166.49	137.49
Stage A	-10.4	-140.39	130.47
Stage A	-10.6	-115.74	123.27
Stage A	-10.8	-92.56	115.9
Stage A	-11	-70.89	108.35
Stage A	-11.2	-50.76	100.63
Stage A	-11.4	-32.22	92.73
Stage A	-11.6	-15.29	84.66
Stage A	-11.8	-0.01	76.41
Stage A	-11.8	-0.01	76.41
Stage A	-12	13.59	68
Stage A	-12.2	25.48	59.41
Stage A	-12.4	35.61	50.65
Stage A	-12.6	43.95	41.72
Stage A	-12.8	50.47	32.62
Stage A	-13	55.14	23.35
Stage A	-13.2	57.92	13.91
Stage A	-13.4	58.78	4.3
Stage A	-13.6	57.69	-5.48
Stage A	-13.8	54.6	-15.42
Stage A	-14	49.5	-25.53
Stage A	-14.2	42.33	-35.81
Stage A	-14.4	33.08	-46.26
Stage A	-14.5	27.66	-54.22
Stage A	-14.7	15.21	-62.25
Stage A	-14.9	0.59	-73.11
Stage A	-15.1	-16.24	-84.14
Stage A	-15.3	-34.51	-91.32

Design Assumption: SISMICA STR Risultati Paratia		Muro: LEFT	
Stage	Z (m)	Momento (kN*m/m)	Taglio (kN/m)
Stage A	-15.5	-52.66	-90.77
Stage A	-15.7	-69.16	-82.47
Stage A	-15.9	-82.65	-67.46
Stage A	-16.1	-93.08	-52.15
Stage A	-16.3	-100.78	-38.51
Stage A	-16.5	-106.08	-26.51
Stage A	-16.7	-109.29	-16.06
Stage A	-16.9	-110.7	-7.05
Stage A	-17.1	-110.58	0.63
Stage A	-17.3	-109.15	7.12
Stage A	-17.5	-106.64	12.55
Stage A	-17.7	-103.23	17.06
Stage A	-17.9	-99.07	20.8
Stage A	-18.1	-94.3	23.86
Stage A	-18.3	-89.03	26.34
Stage A	-18.5	-83.35	28.37
Stage A	-18.7	-77.33	30.1
Stage A	-18.9	-71	31.67
Stage A	-19.1	-64.36	33.18
Stage A	-19.3	-57.41	34.77
Stage A	-19.5	-50.1	36.53
Stage A	-19.7	-42.39	38.56
Stage A	-19.9	-34.2	40.94
Stage A	-20.1	-25.45	43.74
Stage A	-20.3	-17.83	38.11
Stage A	-20.5	-11.26	32.87
Stage A	-20.7	-5.65	28.02
Stage A	-20.9	-0.94	23.58
Stage A	-21.1	2.97	19.55
Stage A	-21.3	6.15	15.9
Stage A	-21.5	8.68	12.64
Stage A	-21.7	10.63	9.75
Stage A	-21.9	12.07	7.2
Stage A	-22.1	13.06	4.97
Stage A	-22.3	13.67	3.05
Stage A	-22.5	13.96	1.41
Stage A	-22.7	13.96	0.02
Stage A	-22.9	13.73	-1.13
Stage A	-23.1	13.32	-2.08
Stage A	-23.3	12.75	-2.84
Stage A	-23.5	12.06	-3.43
Stage A	-23.7	11.29	-3.87
Stage A	-23.9	10.46	-4.18
Stage A	-24.1	9.58	-4.37
Stage A	-24.3	8.69	-4.47
Stage A	-24.5	7.79	-4.48
Stage A	-24.7	6.91	-4.42
Stage A	-24.9	6.05	-4.3
Stage A	-25.1	5.22	-4.13
Stage A	-25.3	4.44	-3.92
Stage A	-25.5	3.71	-3.67
Stage A	-25.7	3.03	-3.39
Stage A	-25.9	2.41	-3.08
Stage A	-26.1	1.86	-2.76
Stage A	-26.3	1.37	-2.42
Stage A	-26.5	0.96	-2.07
Stage A	-26.7	0.62	-1.71
Stage A	-26.9	0.35	-1.34
Stage A	-27.1	0.16	-0.97
Stage A	-27.3	0.04	-0.58
Stage A	-27.5	0	-0.2

Tabella Risultati Paratia SISMICA STR - Left Wall - Stage: Stage B

Design Assumption: SISMICA STR Risultati Paratia		Muro: LEFT	
Stage	Z (m)	Momento (kN*m/m)	Taglio (kN/m)
Stage B	-2.5	0	-0.29
Stage B	-2.7	-0.06	-0.29
Stage B	-2.9	-0.69	-3.15
Stage B	-3.1	-1.95	-6.29
Stage B	-3.3	-3.83	-9.42
Stage B	-3.5	-6.32	-12.46
Stage B	-3.7	-9.41	-15.42
Stage B	-3.9	-13.06	-18.29
Stage B	-4.1	-17.28	-21.08
Stage B	-4.3	-22.04	-23.78
Stage B	-4.5	-27.32	-26.41
Stage B	-4.7	-33.11	-28.94
Stage B	-4.9	-39.38	-31.39
Stage B	-5.1	-46.13	-33.74
Stage B	-5.3	-53.55	-37.12
Stage B	-5.5	-61.69	-40.69
Stage B	-5.7	-70.58	-44.45
Stage B	-5.9	-80.25	-48.36
Stage B	-6.1	-90.73	-52.39
Stage B	-6.3	-102.04	-56.52
Stage B	-6.5	-114.18	-60.71
Stage B	-6.7	-127.16	-64.92
Stage B	-6.9	-140.98	-69.11
Stage B	-7.1	-155.63	-73.23
Stage B	-7.3	-171.07	-77.22
Stage B	-7.5	-187.35	-81.36
Stage B	-7.7	-204.48	-85.68
Stage B	-7.9	-222.52	-90.17
Stage B	-8.1	-241.48	-94.84
Stage B	-8.3	-261.42	-99.68
Stage B	-8.5	-282.36	-104.69
Stage B	-8.7	-304.34	-109.9
Stage B	-8.9	-327.39	-115.27
Stage B	-9	-339.33	-119.43
Stage B	-9.2	-305.02	171.59
Stage B	-9.4	-271.86	165.76
Stage B	-9.6	-239.92	159.7
Stage B	-9.8	-209.24	153.4
Stage B	-10	-179.87	146.86
Stage B	-10.2	-151.86	140.07
Stage B	-10.4	-125.38	132.37
Stage B	-10.6	-100.52	124.31
Stage B	-10.8	-77.34	115.89
Stage B	-11	-55.92	107.09
Stage B	-11.2	-36.34	97.9
Stage B	-11.4	-18.68	88.3
Stage B	-11.6	-3.03	78.28
Stage B	-11.8	10.54	67.82
Stage B	-12	21.92	56.92
Stage B	-12.2	31.04	45.56
Stage B	-12.4	37.78	33.74
Stage B	-12.6	42.07	21.44
Stage B	-12.8	43.81	8.67
Stage B	-13	42.89	-4.57
Stage B	-13.2	39.24	-18.27
Stage B	-13.4	32.76	-32.41
Stage B	-13.6	23.36	-46.99
Stage B	-13.8	10.96	-61.97
Stage B	-14	-4.5	-77.31
Stage B	-14.2	-23.09	-92.98
Stage B	-14.4	-44.87	-108.91
Stage B	-14.5	-56.98	-121.01
Stage B	-14.7	-54.35	13.14
Stage B	-14.9	-54.98	-3.14
Stage B	-15.1	-58.86	-19.42
Stage B	-15.3	-65.72	-34.28
Stage B	-15.5	-73.92	-41.01

Design Assumption: SISMICA STR Risultati Paratia		Muro: LEFT	
Stage	Z (m)	Momento (kN*m/m)	Taglio (kN/m)
Stage B	-15.7	-81.83	-39.54
Stage B	-15.9	-88	-30.89
Stage B	-16.1	-92.29	-21.43
Stage B	-16.3	-94.92	-13.14
Stage B	-16.5	-96.11	-5.97
Stage B	-16.7	-96.08	0.14
Stage B	-16.9	-95.02	5.29
Stage B	-17.1	-93.11	9.58
Stage B	-17.3	-90.49	13.11
Stage B	-17.5	-87.29	16
Stage B	-17.7	-83.61	18.36
Stage B	-17.9	-79.56	20.29
Stage B	-18.1	-75.18	21.86
Stage B	-18.3	-70.55	23.15
Stage B	-18.5	-65.7	24.25
Stage B	-18.7	-60.65	25.28
Stage B	-18.9	-55.38	26.36
Stage B	-19.1	-49.86	27.56
Stage B	-19.3	-44.06	28.99
Stage B	-19.5	-37.92	30.73
Stage B	-19.7	-31.35	32.86
Stage B	-19.9	-24.26	35.42
Stage B	-20.1	-16.57	38.48
Stage B	-20.3	-9.95	33.08
Stage B	-20.5	-4.33	28.1
Stage B	-20.7	0.38	23.54
Stage B	-20.9	4.26	19.4
Stage B	-21.1	7.39	15.68
Stage B	-21.3	9.86	12.36
Stage B	-21.5	11.75	9.41
Stage B	-21.7	13.11	6.83
Stage B	-21.9	14.03	4.59
Stage B	-22.1	14.56	2.66
Stage B	-22.3	14.76	1.02
Stage B	-22.5	14.69	-0.36
Stage B	-22.7	14.39	-1.5
Stage B	-22.9	13.91	-2.42
Stage B	-23.1	13.28	-3.15
Stage B	-23.3	12.54	-3.71
Stage B	-23.5	11.72	-4.11
Stage B	-23.7	10.84	-4.39
Stage B	-23.9	9.93	-4.55
Stage B	-24.1	9	-4.62
Stage B	-24.3	8.08	-4.6
Stage B	-24.5	7.18	-4.51
Stage B	-24.7	6.31	-4.37
Stage B	-24.9	5.47	-4.18
Stage B	-25.1	4.68	-3.95
Stage B	-25.3	3.95	-3.69
Stage B	-25.5	3.27	-3.4
Stage B	-25.7	2.65	-3.1
Stage B	-25.9	2.09	-2.79
Stage B	-26.1	1.6	-2.46
Stage B	-26.3	1.17	-2.13
Stage B	-26.5	0.81	-1.8
Stage B	-26.7	0.52	-1.47
Stage B	-26.9	0.29	-1.14
Stage B	-27.1	0.13	-0.81
Stage B	-27.3	0.03	-0.48
Stage B	-27.5	0	-0.16

Tabella Risultati Paratia SISMICA STR - Left Wall - Stage: Stage 4

Design Assumption: SISMICA STR Risultati Paratia		Muro: LEFT	
Stage	Z (m)	Momento (kN*m/m)	Taglio (kN/m)
Stage 4	-2.5	0	0
Stage 4	-2.7	0	0
Stage 4	-2.7	0	0
Stage 4	-2.9	-0.85	-4.23
Stage 4	-3.1	-2.51	-8.34
Stage 4	-3.3	-4.69	-10.87
Stage 4	-3.5	-7.05	-11.81
Stage 4	-3.7	-9.55	-12.51
Stage 4	-3.9	-12.23	-13.36
Stage 4	-4.1	-15.1	-14.36
Stage 4	-4.3	-18.2	-15.51
Stage 4	-4.5	-21.56	-16.81
Stage 4	-4.7	-25.22	-18.27
Stage 4	-4.9	-29.19	-19.89
Stage 4	-5.1	-33.53	-21.67
Stage 4	-5.3	-38.3	-23.87
Stage 4	-5.5	-43.55	-26.25
Stage 4	-5.7	-49.31	-28.81
Stage 4	-5.9	-55.62	-31.55
Stage 4	-6.1	-62.51	-34.46
Stage 4	-6.3	-70.02	-37.55
Stage 4	-6.5	-78.18	-40.81
Stage 4	-6.7	-87.03	-44.25
Stage 4	-6.9	-96.61	-47.87
Stage 4	-7.1	-106.94	-51.66
Stage 4	-7.3	-118.06	-55.62
Stage 4	-7.5	-130.02	-59.77
Stage 4	-7.7	-142.84	-64.09
Stage 4	-7.9	-156.55	-68.58
Stage 4	-8.1	-171.2	-73.24
Stage 4	-8.3	-186.82	-78.09
Stage 4	-8.5	-203.44	-83.1
Stage 4	-8.7	-221.1	-88.3
Stage 4	-8.9	-239.84	-93.68
Stage 4	-9	-249.62	-97.84
Stage 4	-9.2	-205.87	218.78
Stage 4	-9.4	-163.27	212.96
Stage 4	-9.6	-121.88	206.97
Stage 4	-9.8	-81.72	200.81
Stage 4	-10	-42.82	194.47
Stage 4	-10.2	-5.23	187.96
Stage 4	-10.4	30.96	180.95
Stage 4	-10.6	65.71	173.75
Stage 4	-10.8	98.99	166.38
Stage 4	-11	130.75	158.82
Stage 4	-11.2	160.97	151.1
Stage 4	-11.4	189.61	143.2
Stage 4	-11.6	216.64	135.13
Stage 4	-11.8	242.01	126.89
Stage 4	-12	265.71	118.47
Stage 4	-12.2	287.69	109.88
Stage 4	-12.4	307.91	101.13
Stage 4	-12.6	326.35	92.19
Stage 4	-12.8	342.97	83.09
Stage 4	-13	357.73	73.82
Stage 4	-13.2	370.61	64.38
Stage 4	-13.4	381.56	54.77
Stage 4	-13.6	390.56	45
Stage 4	-13.8	397.57	35.05
Stage 4	-14	402.56	24.94
Stage 4	-14.2	405.49	14.66
Stage 4	-14.4	406.34	4.21
Stage 4	-14.5	405.96	-3.75
Stage 4	-14.7	437.12	155.8
Stage 4	-14.9	466.11	144.94
Stage 4	-15.1	492.89	133.9
Stage 4	-15.3	517.44	122.77

Design Assumption: SISMICA STR Risultati Paratia		Muro: LEFT	
Stage	Z (m)	Momento (kN*m/m)	Taglio (kN/m)
Stage 4	-15.5	539.73	111.45
Stage 4	-15.7	559.73	99.97
Stage 4	-15.9	577.39	88.31
Stage 4	-16.1	592.69	76.49
Stage 4	-16.3	605.58	64.49
Stage 4	-16.5	616.05	52.32
Stage 4	-16.7	624.05	39.99
Stage 4	-16.9	629.55	27.5
Stage 4	-17.1	632.51	14.83
Stage 4	-17.3	632.91	2
Stage 4	-17.5	630.71	-11
Stage 4	-17.7	625.88	-24.16
Stage 4	-17.9	618.38	-37.49
Stage 4	-18.1	608.18	-50.99
Stage 4	-18.3	595.25	-64.65
Stage 4	-18.5	579.56	-78.47
Stage 4	-18.7	561.07	-92.46
Stage 4	-18.9	539.74	-106.62
Stage 4	-19.1	515.55	-120.94
Stage 4	-19.3	488.47	-135.43
Stage 4	-19.5	458.45	-150.1
Stage 4	-19.7	425.46	-164.94
Stage 4	-19.9	389.47	-179.96
Stage 4	-20.1	350.44	-195.15
Stage 4	-20.3	308.33	-210.52
Stage 4	-20.5	263.12	-226.05
Stage 4	-20.7	214.77	-241.77
Stage 4	-20.9	163.24	-257.65
Stage 4	-21.1	108.49	-273.72
Stage 4	-21.3	50.94	-287.77
Stage 4	-21.5	-8.59	-297.64
Stage 4	-21.7	-69.25	-303.32
Stage 4	-21.9	-130.22	-304.83
Stage 4	-22.1	-190.65	-302.15
Stage 4	-22.3	-249.7	-295.28
Stage 4	-22.5	-306.55	-284.24
Stage 4	-22.7	-360.35	-269
Stage 4	-22.9	-410.27	-249.58
Stage 4	-23.1	-455.46	-225.98
Stage 4	-23.3	-495.1	-198.18
Stage 4	-23.5	-528.34	-166.21
Stage 4	-23.7	-554.35	-130.05
Stage 4	-23.9	-572.3	-89.71
Stage 4	-24.1	-581.33	-45.18
Stage 4	-24.3	-580.62	3.54
Stage 4	-24.5	-569.72	54.49
Stage 4	-24.7	-549.07	103.27
Stage 4	-24.9	-519.06	150.04
Stage 4	-25.1	-480.26	194.02
Stage 4	-25.3	-434.62	228.21
Stage 4	-25.5	-384.2	252.11
Stage 4	-25.7	-330.93	266.32
Stage 4	-25.9	-276.65	271.38
Stage 4	-26.1	-223.1	267.77
Stage 4	-26.3	-171.93	255.87
Stage 4	-26.5	-124.73	236
Stage 4	-26.7	-83.05	208.39
Stage 4	-26.9	-48.4	173.23
Stage 4	-27.1	-22.28	130.62
Stage 4	-27.3	-5.81	82.31
Stage 4	-27.5	0	29.08

Tabella Risultati Paratia SISMICA STR - Left Wall - Stage: Stage 5

Design Assumption: SISMICA STR Risultati Paratia		Muro: LEFT	
Stage	Z (m)	Momento (kN*m/m)	Taglio (kN/m)
Stage 5	-2.5	0	-0.01
Stage 5	-2.7	0	-0.01
Stage 5	-2.7	0	-0.01
Stage 5	-2.9	-0.85	-4.24
Stage 5	-3.1	-2.52	-8.33
Stage 5	-3.3	-4.68	-10.83
Stage 5	-3.5	-7.02	-11.71
Stage 5	-3.7	-9.49	-12.34
Stage 5	-3.9	-12.11	-13.09
Stage 5	-4.1	-14.91	-13.98
Stage 5	-4.3	-17.91	-15
Stage 5	-4.5	-21.17	-16.3
Stage 5	-4.7	-24.72	-17.76
Stage 5	-4.9	-28.6	-19.38
Stage 5	-5.1	-32.83	-21.16
Stage 5	-5.3	-37.5	-23.36
Stage 5	-5.5	-42.65	-25.74
Stage 5	-5.7	-48.31	-28.3
Stage 5	-5.9	-54.51	-31.04
Stage 5	-6.1	-61.3	-33.95
Stage 5	-6.3	-68.71	-37.04
Stage 5	-6.5	-76.77	-40.3
Stage 5	-6.7	-85.52	-43.74
Stage 5	-6.9	-94.99	-47.36
Stage 5	-7.1	-105.22	-51.15
Stage 5	-7.3	-116.24	-55.12
Stage 5	-7.5	-128.1	-59.26
Stage 5	-7.7	-140.81	-63.58
Stage 5	-7.9	-154.43	-68.07
Stage 5	-8.1	-168.97	-72.74
Stage 5	-8.3	-184.49	-77.58
Stage 5	-8.5	-201.01	-82.59
Stage 5	-8.7	-218.57	-87.79
Stage 5	-8.9	-237.2	-93.17
Stage 5	-9	-246.93	-97.33
Stage 5	-9.2	-203.04	219.49
Stage 5	-9.4	-160.3	213.67
Stage 5	-9.6	-118.77	207.68
Stage 5	-9.8	-78.46	201.52
Stage 5	-10	-39.42	195.19
Stage 5	-10.2	-1.69	188.68
Stage 5	-10.4	34.64	181.66
Stage 5	-10.6	69.54	174.46
Stage 5	-10.8	102.95	167.09
Stage 5	-11	134.86	159.54
Stage 5	-11.2	165.22	151.81
Stage 5	-11.4	194	143.91
Stage 5	-11.6	221.17	135.84
Stage 5	-11.8	246.69	127.6
Stage 5	-12	270.53	119.18
Stage 5	-12.2	292.65	110.59
Stage 5	-12.4	313.02	101.84
Stage 5	-12.6	331.6	92.9
Stage 5	-12.8	348.36	83.8
Stage 5	-13	363.26	74.53
Stage 5	-13.2	376.28	65.09
Stage 5	-13.4	387.38	55.48
Stage 5	-13.6	396.52	45.71
Stage 5	-13.8	403.67	35.76
Stage 5	-14	408.8	25.65
Stage 5	-14.2	411.88	15.37
Stage 5	-14.4	412.86	4.93
Stage 5	-14.5	412.56	-3.04
Stage 5	-14.7	443.88	156.6
Stage 5	-14.9	473.03	145.74
Stage 5	-15.1	499.97	134.71
Stage 5	-15.3	524.68	123.57

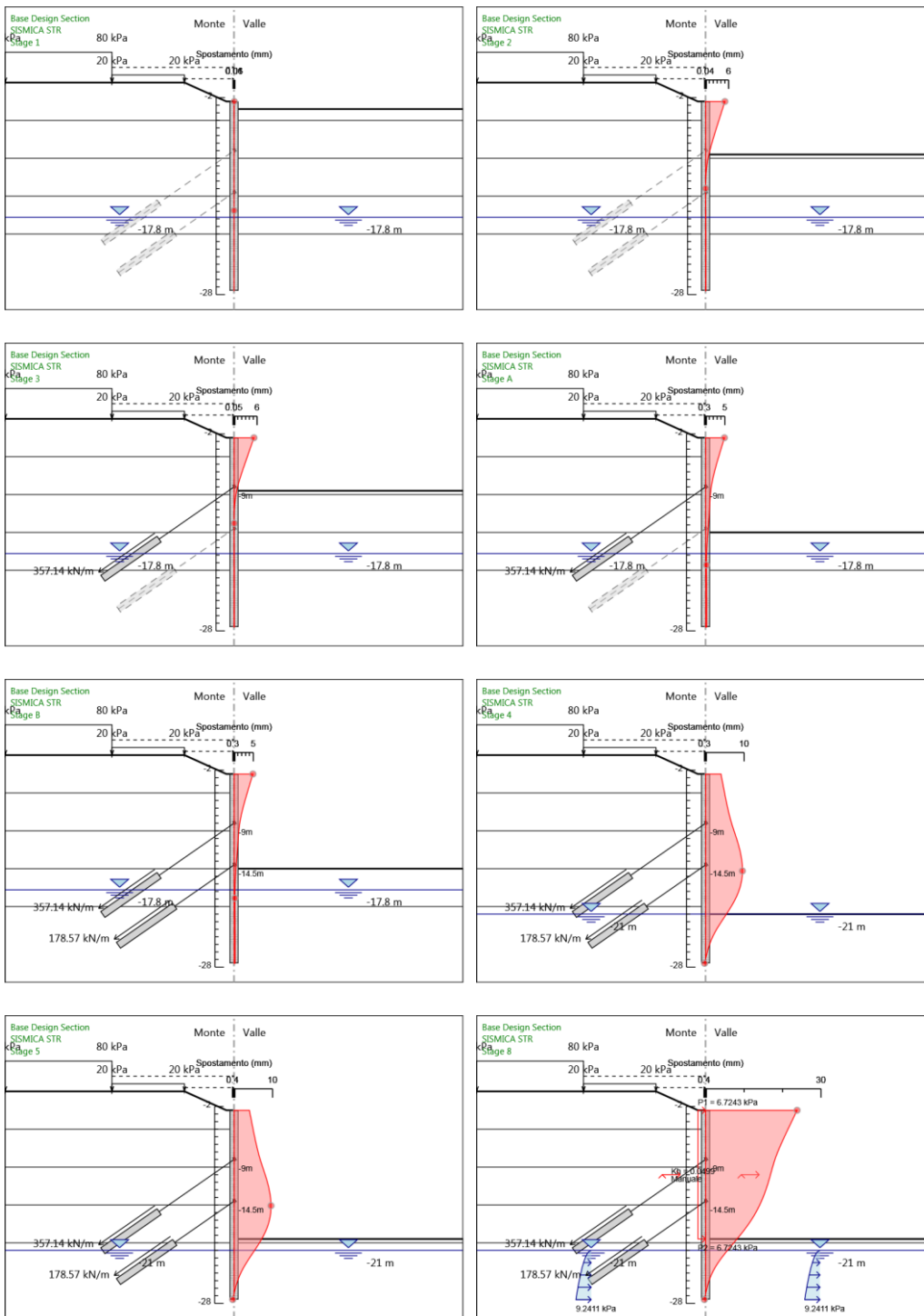
Design Assumption: SISMICA STR Risultati Paratia		Muro: LEFT	
Stage	Z (m)	Momento (kN*m/m)	Taglio (kN/m)
Stage 5	-15.5	547.14	112.26
Stage 5	-15.7	567.29	100.78
Stage 5	-15.9	585.11	89.12
Stage 5	-16.1	600.57	77.29
Stage 5	-16.3	613.63	65.29
Stage 5	-16.5	624.26	53.13
Stage 5	-16.7	632.42	40.8
Stage 5	-16.9	638.08	28.3
Stage 5	-17.1	641.2	15.63
Stage 5	-17.3	641.76	2.8
Stage 5	-17.5	639.73	-10.19
Stage 5	-17.7	635.05	-23.36
Stage 5	-17.9	627.73	-36.62
Stage 5	-18.1	617.67	-50.28
Stage 5	-18.3	604.81	-64.33
Stage 5	-18.5	589.05	-78.8
Stage 5	-18.7	570.31	-93.69
Stage 5	-18.9	548.51	-109
Stage 5	-19.1	523.56	-124.76
Stage 5	-19.3	495.36	-140.97
Stage 5	-19.5	463.84	-157.65
Stage 5	-19.7	428.87	-174.8
Stage 5	-19.9	390.42	-192.28
Stage 5	-20.1	348.4	-210.07
Stage 5	-20.3	302.95	-227.27
Stage 5	-20.5	254.07	-244.39
Stage 5	-20.7	201.79	-261.39
Stage 5	-20.9	146.15	-278.22
Stage 5	-21.1	87.17	-294.89
Stage 5	-21.3	26.97	-301.02
Stage 5	-21.5	-34.02	-304.92
Stage 5	-21.7	-95.19	-305.88
Stage 5	-21.9	-155.91	-303.6
Stage 5	-22.1	-215.49	-297.88
Stage 5	-22.3	-273.21	-288.58
Stage 5	-22.5	-328.33	-275.62
Stage 5	-22.7	-380.11	-258.89
Stage 5	-22.9	-427.77	-238.33
Stage 5	-23.1	-470.55	-213.88
Stage 5	-23.3	-507.65	-185.49
Stage 5	-23.5	-538.27	-153.13
Stage 5	-23.7	-561.62	-116.74
Stage 5	-23.9	-577.04	-77.08
Stage 5	-24.1	-583.94	-34.5
Stage 5	-24.3	-581.47	12.33
Stage 5	-24.5	-569.19	61.42
Stage 5	-24.7	-547.51	108.41
Stage 5	-24.9	-516.82	153.43
Stage 5	-25.1	-477.59	196.15
Stage 5	-25.3	-431.61	229.88
Stage 5	-25.5	-380.96	253.27
Stage 5	-25.7	-327.57	266.91
Stage 5	-25.9	-273.3	271.37
Stage 5	-26.1	-219.88	267.09
Stage 5	-26.3	-168.99	254.48
Stage 5	-26.5	-122.22	233.84
Stage 5	-26.7	-81.14	205.42
Stage 5	-26.9	-47.26	169.39
Stage 5	-27.1	-21.78	127.4
Stage 5	-27.3	-5.69	80.42
Stage 5	-27.5	0	28.46

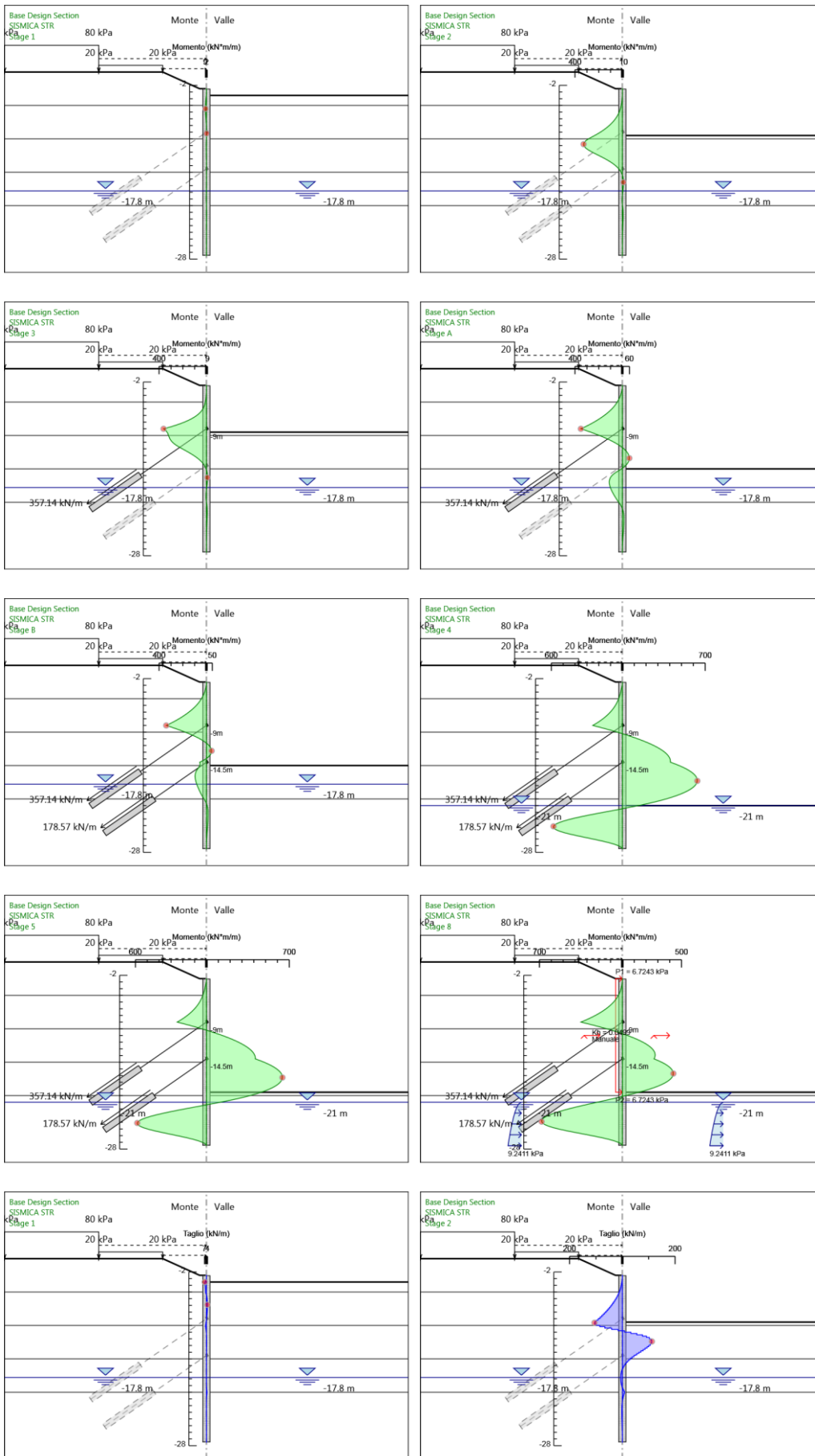
Tabella Risultati Paratia SISMICA STR - Left Wall - Stage: Stage 8

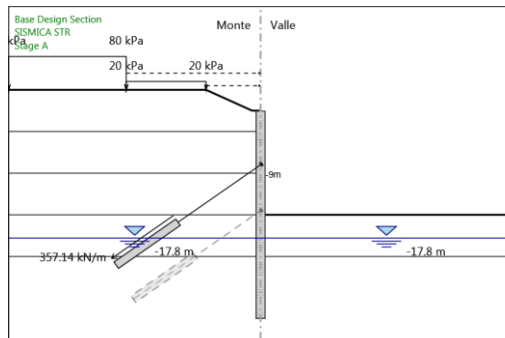
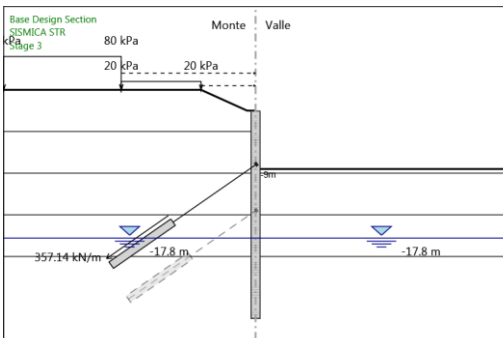
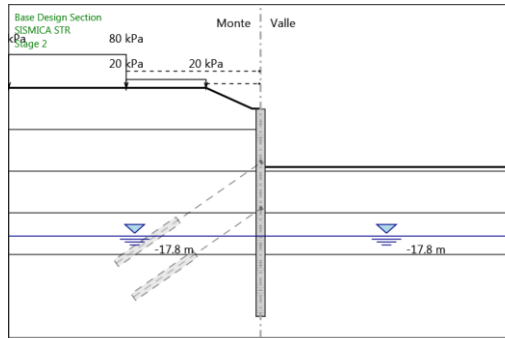
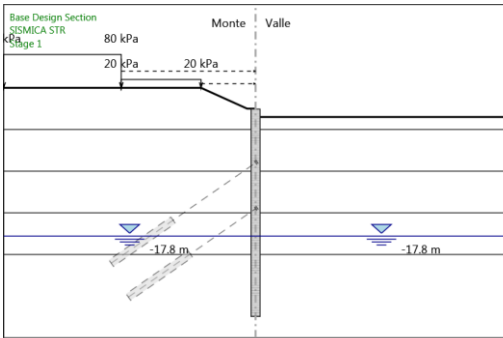
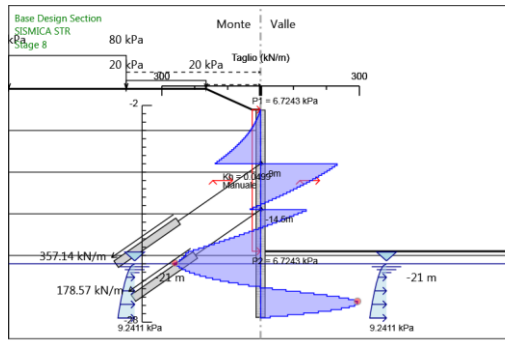
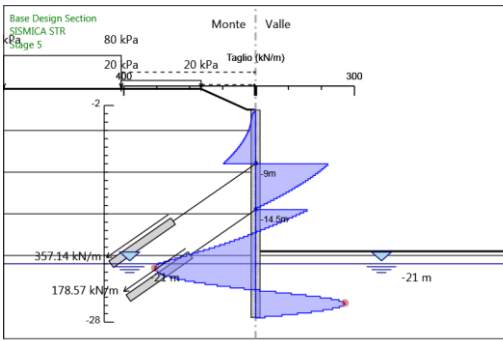
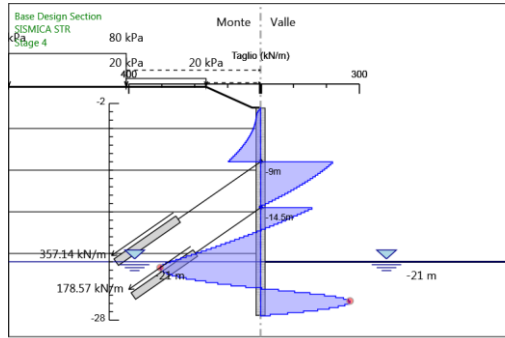
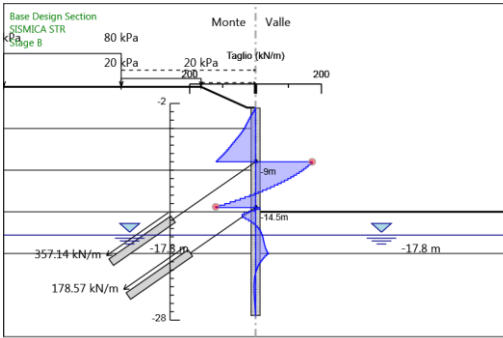
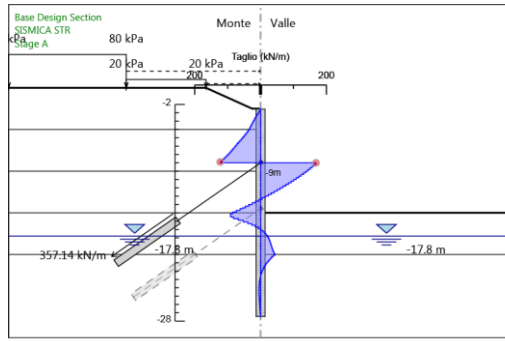
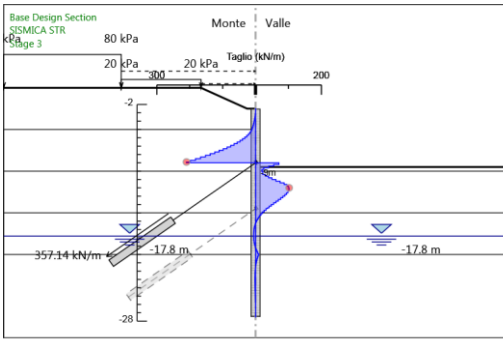
Design Assumption: SISMICA STR Risultati Paratia		Muro: LEFT	
Stage	Z (m)	Momento (kN*m/m)	Taglio (kN/m)
Stage 8	-2.5	0	-0.78
Stage 8	-2.7	-0.16	-0.78
Stage 8	-2.9	-0.65	-2.48
Stage 8	-3.1	-1.51	-4.31
Stage 8	-3.3	-2.77	-6.28
Stage 8	-3.5	-4.45	-8.4
Stage 8	-3.7	-6.58	-10.65
Stage 8	-3.9	-9.19	-13.06
Stage 8	-4.1	-12.31	-15.61
Stage 8	-4.3	-15.98	-18.32
Stage 8	-4.5	-20.21	-21.18
Stage 8	-4.7	-25.05	-24.19
Stage 8	-4.9	-30.52	-27.36
Stage 8	-5.1	-36.66	-30.7
Stage 8	-5.3	-43.55	-34.45
Stage 8	-5.5	-51.23	-38.39
Stage 8	-5.7	-59.73	-42.51
Stage 8	-5.9	-69.09	-46.8
Stage 8	-6.1	-79.35	-51.26
Stage 8	-6.3	-90.53	-55.91
Stage 8	-6.5	-102.67	-60.73
Stage 8	-6.7	-115.82	-65.73
Stage 8	-6.9	-130	-70.89
Stage 8	-7.1	-145.25	-76.25
Stage 8	-7.3	-161.6	-81.77
Stage 8	-7.5	-179.09	-87.47
Stage 8	-7.7	-197.76	-93.34
Stage 8	-7.9	-217.64	-99.39
Stage 8	-8.1	-238.76	-105.61
Stage 8	-8.3	-261.16	-112.01
Stage 8	-8.5	-284.88	-118.57
Stage 8	-8.7	-309.94	-125.33
Stage 8	-8.9	-336.4	-132.26
Stage 8	-9	-350.16	-137.6
Stage 8	-9.2	-303.66	232.48
Stage 8	-9.4	-258.64	225.11
Stage 8	-9.6	-215.13	217.56
Stage 8	-9.8	-173.16	209.84
Stage 8	-10	-132.77	201.96
Stage 8	-10.2	-93.99	193.89
Stage 8	-10.4	-56.92	185.32
Stage 8	-10.6	-21.61	176.56
Stage 8	-10.8	11.91	167.63
Stage 8	-11	43.62	158.53
Stage 8	-11.2	73.47	149.25
Stage 8	-11.4	101.43	139.79
Stage 8	-11.6	127.46	130.17
Stage 8	-11.8	151.54	120.37
Stage 8	-12	173.62	110.4
Stage 8	-12.2	193.67	100.25
Stage 8	-12.4	211.65	89.94
Stage 8	-12.6	227.54	79.45
Stage 8	-12.8	241.3	68.8
Stage 8	-13	252.9	57.97
Stage 8	-13.2	262.29	46.97
Stage 8	-13.4	269.45	35.81
Stage 8	-13.6	274.35	24.48
Stage 8	-13.8	276.95	12.98
Stage 8	-14	277.21	1.31
Stage 8	-14.2	275.1	-10.52
Stage 8	-14.4	270.6	-22.53
Stage 8	-14.5	267.43	-31.66
Stage 8	-14.7	295.16	138.62
Stage 8	-14.9	320.4	126.2
Stage 8	-15.1	343.12	113.62
Stage 8	-15.3	363.31	100.93
Stage 8	-15.5	380.92	88.06

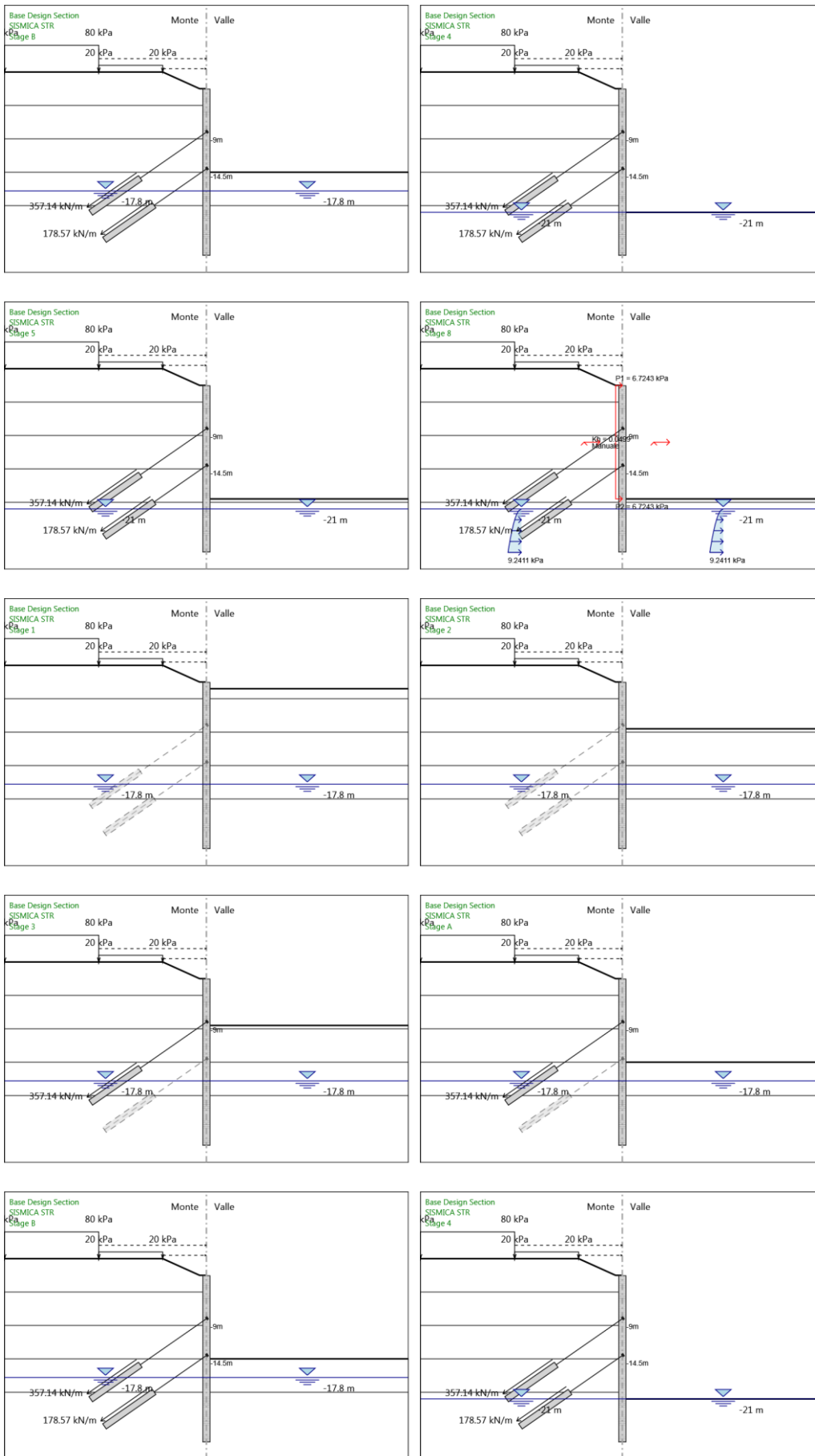
Design Assumption: SISMICA STR Risultati Paratia		Muro: LEFT	
Stage	Z (m)	Momento (kN*m/m)	Taglio (kN/m)
Stage 8	-15.7	395.92	75.02
Stage 8	-15.9	408.28	61.8
Stage 8	-16.1	417.97	48.42
Stage 8	-16.3	424.94	34.87
Stage 8	-16.5	429.17	21.15
Stage 8	-16.7	430.62	7.26
Stage 8	-16.9	429.26	-6.79
Stage 8	-17.1	425.06	-21.01
Stage 8	-17.3	417.98	-35.4
Stage 8	-17.5	407.99	-49.95
Stage 8	-17.7	395.06	-64.67
Stage 8	-17.9	379.15	-79.55
Stage 8	-18.1	360.23	-94.6
Stage 8	-18.3	338.26	-109.82
Stage 8	-18.5	313.22	-125.2
Stage 8	-18.7	285.07	-140.75
Stage 8	-18.9	253.78	-156.46
Stage 8	-19.1	219.31	-172.34
Stage 8	-19.3	181.63	-188.39
Stage 8	-19.5	140.71	-204.6
Stage 8	-19.7	96.82	-219.45
Stage 8	-19.9	51.47	-226.75
Stage 8	-20.1	5.94	-227.68
Stage 8	-20.3	-40.71	-233.22
Stage 8	-20.5	-88.59	-239.38
Stage 8	-20.7	-137.8	-246.06
Stage 8	-20.9	-188.43	-253.18
Stage 8	-21.1	-240.57	-260.67
Stage 8	-21.3	-291.34	-253.89
Stage 8	-21.5	-340.72	-246.87
Stage 8	-21.7	-388.42	-238.51
Stage 8	-21.9	-434.08	-228.31
Stage 8	-22.1	-477.26	-215.92
Stage 8	-22.3	-517.48	-201.06
Stage 8	-22.5	-554.37	-184.46
Stage 8	-22.7	-587.59	-166.1
Stage 8	-22.9	-616.71	-145.6
Stage 8	-23.1	-641.24	-122.64
Stage 8	-23.3	-660.62	-96.91
Stage 8	-23.5	-674.25	-68.14
Stage 8	-23.7	-681.46	-36.08
Stage 8	-23.9	-681.73	-1.32
Stage 8	-24.1	-674.53	35.98
Stage 8	-24.3	-659.08	77.26
Stage 8	-24.5	-634.94	120.69
Stage 8	-24.7	-602.55	161.97
Stage 8	-24.9	-562.27	201.35
Stage 8	-25.1	-514.56	238.56
Stage 8	-25.3	-461.16	266.98
Stage 8	-25.5	-404.1	285.3
Stage 8	-25.7	-345.27	294.17
Stage 8	-25.9	-286.44	294.16
Stage 8	-26.1	-229.29	285.76
Stage 8	-26.3	-175.41	269.39
Stage 8	-26.5	-126.33	245.37
Stage 8	-26.7	-83.54	213.95
Stage 8	-26.9	-48.48	175.32
Stage 8	-27.1	-22.26	131.12
Stage 8	-27.3	-5.79	82.33
Stage 8	-27.5	0	28.96

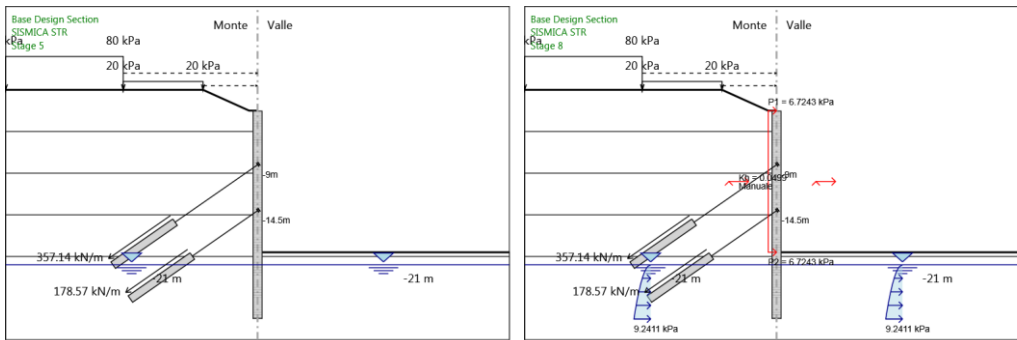
Tabella Grafici dei Risultati











Risultati Elementi strutturali - SISMICA STR

Design Assumption: SISMICA STR Sollecitazione Tieback

Stage	Forza (kN/m)
Stage 3	357.1
Stage A	360.4091
Stage B	360.4145
Stage 4	391.6797
Stage 5	391.9261
Stage 8	458.3639

Design Assumption: SISMICA STR Sollecitazione Tieback_New

Stage	Forza (kN/m)
Stage B	178.6
Stage 4	204.5658
Stage 5	204.6803
Stage 8	219.0974

Risultati SISMICA GEO

Tabella Risultati Paratia SISMICA GEO - Left Wall - Stage: Stage 1

Design Assumption: SISMICA GEO Risultati Paratia		Muro: LEFT	
Stage	Z (m)	Momento (kN*m/m)	Taglio (kN/m)
Stage 1	-2.5	0	0
Stage 1	-2.7	0	0
Stage 1	-2.9	-0.04	-0.19
Stage 1	-3.1	-0.15	-0.57
Stage 1	-3.3	-0.5	-1.71
Stage 1	-3.5	-1.26	-3.83
Stage 1	-3.7	-2.64	-6.88
Stage 1	-3.9	-3.82	-5.91
Stage 1	-4.1	-4.84	-5.11
Stage 1	-4.3	-5.74	-4.48
Stage 1	-4.5	-6.54	-4.02
Stage 1	-4.7	-7.29	-3.72
Stage 1	-4.9	-8	-3.56
Stage 1	-5.1	-8.71	-3.55
Stage 1	-5.3	-9.06	-1.74
Stage 1	-5.5	-9.1	-0.24
Stage 1	-5.7	-8.91	0.98
Stage 1	-5.9	-8.52	1.96
Stage 1	-6.1	-7.97	2.71
Stage 1	-6.3	-7.32	3.28
Stage 1	-6.5	-6.58	3.68
Stage 1	-6.7	-5.8	3.93
Stage 1	-6.9	-4.98	4.06
Stage 1	-7.1	-4.17	4.08
Stage 1	-7.3	-3.36	4.02
Stage 1	-7.5	-2.59	3.87
Stage 1	-7.7	-1.86	3.66
Stage 1	-7.9	-1.18	3.39
Stage 1	-8.1	-0.57	3.06
Stage 1	-8.3	-0.03	2.69
Stage 1	-8.5	0.42	2.28
Stage 1	-8.7	0.79	1.81
Stage 1	-8.9	1.05	1.3
Stage 1	-9	1.14	0.89
Stage 1	-9.2	1.23	0.45
Stage 1	-9.4	1.19	-0.19
Stage 1	-9.6	1.01	-0.89
Stage 1	-9.8	0.68	-1.64
Stage 1	-10	0.19	-2.47
Stage 1	-10.2	-0.48	-3.35
Stage 1	-10.4	-0.99	-2.52
Stage 1	-10.6	-1.34	-1.79
Stage 1	-10.8	-1.58	-1.18
Stage 1	-11	-1.71	-0.66
Stage 1	-11.2	-1.76	-0.24
Stage 1	-11.4	-1.74	0.09
Stage 1	-11.6	-1.67	0.35
Stage 1	-11.8	-1.56	0.54
Stage 1	-12	-1.43	0.68
Stage 1	-12.2	-1.27	0.77
Stage 1	-12.4	-1.11	0.82
Stage 1	-12.6	-0.94	0.84
Stage 1	-12.8	-0.78	0.82
Stage 1	-13	-0.62	0.79
Stage 1	-13.2	-0.47	0.74
Stage 1	-13.4	-0.34	0.67
Stage 1	-13.6	-0.22	0.59
Stage 1	-13.8	-0.12	0.51
Stage 1	-14	-0.04	0.41
Stage 1	-14.2	0.03	0.31
Stage 1	-14.4	0.06	0.2
Stage 1	-14.5	0.08	0.11
Stage 1	-14.7	0.08	0.01
Stage 1	-14.9	0.06	-0.12

Design Assumption: SISMICA GEO Risultati Paratia		Muro: LEFT	
Stage	Z (m)	Momento (kN*m/m)	Taglio (kN/m)
Stage 1	-15.1	0	-0.26
Stage 1	-15.3	-0.04	-0.24
Stage 1	-15.5	-0.09	-0.23
Stage 1	-15.7	-0.14	-0.23
Stage 1	-15.9	-0.18	-0.24
Stage 1	-16.1	-0.23	-0.25
Stage 1	-16.3	-0.29	-0.28
Stage 1	-16.5	-0.35	-0.3
Stage 1	-16.7	-0.42	-0.34
Stage 1	-16.9	-0.49	-0.37
Stage 1	-17.1	-0.57	-0.41
Stage 1	-17.3	-0.66	-0.44
Stage 1	-17.5	-0.75	-0.46
Stage 1	-17.7	-0.85	-0.47
Stage 1	-17.9	-0.94	-0.47
Stage 1	-18.1	-1.03	-0.45
Stage 1	-18.3	-1.11	-0.4
Stage 1	-18.5	-1.17	-0.32
Stage 1	-18.7	-1.22	-0.21
Stage 1	-18.9	-1.22	-0.04
Stage 1	-19.1	-1.19	0.17
Stage 1	-19.3	-1.1	0.44
Stage 1	-19.5	-0.95	0.78
Stage 1	-19.7	-0.71	1.19
Stage 1	-19.9	-0.37	1.67
Stage 1	-20.1	0.07	2.24
Stage 1	-20.3	0.43	1.75
Stage 1	-20.5	0.69	1.33
Stage 1	-20.7	0.88	0.95
Stage 1	-20.9	1.01	0.64
Stage 1	-21.1	1.08	0.37
Stage 1	-21.3	1.11	0.15
Stage 1	-21.5	1.11	-0.02
Stage 1	-21.7	1.08	-0.16
Stage 1	-21.9	1.02	-0.26
Stage 1	-22.1	0.96	-0.34
Stage 1	-22.3	0.88	-0.39
Stage 1	-22.5	0.8	-0.42
Stage 1	-22.7	0.71	-0.43
Stage 1	-22.9	0.62	-0.43
Stage 1	-23.1	0.54	-0.42
Stage 1	-23.3	0.46	-0.39
Stage 1	-23.5	0.39	-0.37
Stage 1	-23.7	0.32	-0.34
Stage 1	-23.9	0.26	-0.3
Stage 1	-24.1	0.21	-0.27
Stage 1	-24.3	0.16	-0.23
Stage 1	-24.5	0.12	-0.2
Stage 1	-24.7	0.09	-0.17
Stage 1	-24.9	0.06	-0.14
Stage 1	-25.1	0.04	-0.11
Stage 1	-25.3	0.02	-0.09
Stage 1	-25.5	0.01	-0.06
Stage 1	-25.7	0	-0.04
Stage 1	-25.9	-0.01	-0.03
Stage 1	-26.1	-0.01	-0.01
Stage 1	-26.3	-0.01	0
Stage 1	-26.5	-0.01	0.01
Stage 1	-26.7	-0.01	0.01
Stage 1	-26.9	-0.01	0.01
Stage 1	-27.1	0	0.01
Stage 1	-27.3	0	0.01
Stage 1	-27.5	0	0

Tabella Risultati Paratia SISMICA GEO - Left Wall - Stage: Stage 2

Design Assumption: SISMICA GEO Risultati Paratia		Muro: LEFT	
Stage	Z (m)	Momento (kN*m/m)	Taglio (kN/m)
Stage 2	-2.5	0	0
Stage 2	-2.7	0	0
Stage 2	-2.9	-0.04	-0.19
Stage 2	-3.1	-0.15	-0.57
Stage 2	-3.3	-0.38	-1.12
Stage 2	-3.5	-0.75	-1.87
Stage 2	-3.7	-1.31	-2.81
Stage 2	-3.9	-2.1	-3.94
Stage 2	-4.1	-3.16	-5.28
Stage 2	-4.3	-4.52	-6.82
Stage 2	-4.5	-6.23	-8.56
Stage 2	-4.7	-8.33	-10.51
Stage 2	-4.9	-10.87	-12.67
Stage 2	-5.1	-13.88	-15.05
Stage 2	-5.3	-17.47	-17.96
Stage 2	-5.5	-21.69	-21.1
Stage 2	-5.7	-26.58	-24.47
Stage 2	-5.9	-32.2	-28.08
Stage 2	-6.1	-38.58	-31.91
Stage 2	-6.3	-45.78	-35.99
Stage 2	-6.5	-53.84	-40.28
Stage 2	-6.7	-62.8	-44.82
Stage 2	-6.9	-72.72	-49.59
Stage 2	-7.1	-83.64	-54.59
Stage 2	-7.3	-95.6	-59.82
Stage 2	-7.5	-108.66	-65.28
Stage 2	-7.7	-122.85	-70.97
Stage 2	-7.9	-138.23	-76.9
Stage 2	-8.1	-154.84	-83.04
Stage 2	-8.3	-172.72	-89.43
Stage 2	-8.5	-191.93	-96.03
Stage 2	-8.7	-212.51	-102.89
Stage 2	-8.9	-234.5	-109.97
Stage 2	-9	-246.05	-115.47
Stage 2	-9.2	-270.26	-121.04
Stage 2	-9.4	-296	-128.71
Stage 2	-9.6	-323.32	-136.6
Stage 2	-9.8	-351.75	-142.15
Stage 2	-10	-380.31	-142.79
Stage 2	-10.2	-408.01	-138.52
Stage 2	-10.4	-434.22	-131.06
Stage 2	-10.6	-458.05	-119.14
Stage 2	-10.8	-478.59	-102.72
Stage 2	-11	-494.96	-81.83
Stage 2	-11.2	-506.25	-56.44
Stage 2	-11.4	-511.57	-26.58
Stage 2	-11.6	-510.84	3.61
Stage 2	-11.8	-504.4	32.21
Stage 2	-12	-492.52	59.41
Stage 2	-12.2	-475.44	85.39
Stage 2	-12.4	-453.38	110.33
Stage 2	-12.6	-426.5	134.39
Stage 2	-12.8	-396.12	151.88
Stage 2	-13	-363.53	162.95
Stage 2	-13.2	-329.82	168.59
Stage 2	-13.4	-295.87	169.72
Stage 2	-13.6	-262.44	167.17
Stage 2	-13.8	-230.1	161.7
Stage 2	-14	-199.31	153.96
Stage 2	-14.2	-170.4	144.52
Stage 2	-14.4	-143.62	133.91
Stage 2	-14.5	-131.08	125.38
Stage 2	-14.7	-107.75	116.67
Stage 2	-14.9	-86.78	104.82
Stage 2	-15.1	-68.18	93.01
Stage 2	-15.3	-51.85	81.63
Stage 2	-15.5	-37.71	70.7

Design Assumption: SISMICA GEO Risultati Paratia		Muro: LEFT	
Stage	Z (m)	Momento (kN*m/m)	Taglio (kN/m)
Stage 2	-15.7	-25.64	60.35
Stage 2	-15.9	-15.51	50.69
Stage 2	-16.1	-7.15	41.77
Stage 2	-16.3	-0.42	33.65
Stage 2	-16.5	4.84	26.33
Stage 2	-16.7	8.81	19.83
Stage 2	-16.9	11.64	14.13
Stage 2	-17.1	13.48	9.2
Stage 2	-17.3	14.48	5.02
Stage 2	-17.5	14.79	1.55
Stage 2	-17.7	14.54	-1.25
Stage 2	-17.9	13.85	-3.42
Stage 2	-18.1	12.86	-4.99
Stage 2	-18.3	11.65	-6.01
Stage 2	-18.5	10.35	-6.51
Stage 2	-18.7	9.05	-6.52
Stage 2	-18.9	7.84	-6.05
Stage 2	-19.1	6.81	-5.14
Stage 2	-19.3	6.05	-3.8
Stage 2	-19.5	5.64	-2.03
Stage 2	-19.7	5.67	0.13
Stage 2	-19.9	6.21	2.68
Stage 2	-20.1	7.33	5.61
Stage 2	-20.3	8.1	3.87
Stage 2	-20.5	8.58	2.37
Stage 2	-20.7	8.8	1.11
Stage 2	-20.9	8.81	0.06
Stage 2	-21.1	8.65	-0.8
Stage 2	-21.3	8.35	-1.48
Stage 2	-21.5	7.95	-2.01
Stage 2	-21.7	7.47	-2.4
Stage 2	-21.9	6.94	-2.67
Stage 2	-22.1	6.37	-2.84
Stage 2	-22.3	5.79	-2.92
Stage 2	-22.5	5.2	-2.92
Stage 2	-22.7	4.63	-2.87
Stage 2	-22.9	4.07	-2.77
Stage 2	-23.1	3.55	-2.64
Stage 2	-23.3	3.05	-2.47
Stage 2	-23.5	2.6	-2.29
Stage 2	-23.7	2.18	-2.09
Stage 2	-23.9	1.8	-1.89
Stage 2	-24.1	1.46	-1.68
Stage 2	-24.3	1.17	-1.48
Stage 2	-24.5	0.91	-1.29
Stage 2	-24.7	0.69	-1.1
Stage 2	-24.9	0.51	-0.92
Stage 2	-25.1	0.35	-0.76
Stage 2	-25.3	0.23	-0.61
Stage 2	-25.5	0.14	-0.47
Stage 2	-25.7	0.07	-0.35
Stage 2	-25.9	0.02	-0.25
Stage 2	-26.1	-0.01	-0.16
Stage 2	-26.3	-0.03	-0.08
Stage 2	-26.5	-0.03	-0.03
Stage 2	-26.7	-0.03	0.02
Stage 2	-26.9	-0.02	0.04
Stage 2	-27.1	-0.01	0.05
Stage 2	-27.3	0	0.04
Stage 2	-27.5	0	0.02

Tabella Risultati Paratia SISMICA GEO - Left Wall - Stage: Stage 3

Design Assumption: SISMICA GEO Risultati Paratia		Muro: LEFT	
Stage	Z (m)	Momento (kN*m/m)	Taglio (kN/m)
Stage 3	-2.5	0	0
Stage 3	-2.7	0	0
Stage 3	-2.7	0	0
Stage 3	-2.9	-0.04	-0.19
Stage 3	-3.1	-0.15	-0.57
Stage 3	-3.3	-0.38	-1.12
Stage 3	-3.5	-0.75	-1.87
Stage 3	-3.7	-1.31	-2.81
Stage 3	-3.9	-2.1	-3.94
Stage 3	-4.1	-3.16	-5.28
Stage 3	-4.3	-4.52	-6.82
Stage 3	-4.5	-6.23	-8.56
Stage 3	-4.7	-8.33	-10.51
Stage 3	-4.9	-10.87	-12.67
Stage 3	-5.1	-13.9	-15.16
Stage 3	-5.3	-17.69	-18.95
Stage 3	-5.5	-22.41	-23.6
Stage 3	-5.7	-28.23	-29.09
Stage 3	-5.9	-35.32	-35.44
Stage 3	-6.1	-43.84	-42.62
Stage 3	-6.3	-53.97	-50.66
Stage 3	-6.5	-65.88	-59.53
Stage 3	-6.7	-79.73	-69.24
Stage 3	-6.9	-95.68	-79.76
Stage 3	-7.1	-113.9	-91.1
Stage 3	-7.3	-134.54	-103.22
Stage 3	-7.5	-157.76	-116.11
Stage 3	-7.7	-183.71	-129.72
Stage 3	-7.9	-212.51	-144.02
Stage 3	-8.1	-244.3	-158.95
Stage 3	-8.3	-279.19	-174.46
Stage 3	-8.5	-317.29	-190.47
Stage 3	-8.7	-358.67	-206.9
Stage 3	-8.9	-403.39	-223.63
Stage 3	-9	-427.03	-236.33
Stage 3	-9.2	-418.33	43.48
Stage 3	-9.4	-413.02	26.55
Stage 3	-9.6	-411.07	9.77
Stage 3	-9.8	-412.4	-6.66
Stage 3	-10	-416.3	-19.53
Stage 3	-10.2	-421.61	-26.55
Stage 3	-10.4	-429.44	-39.12
Stage 3	-10.6	-438.49	-45.25
Stage 3	-10.8	-447.48	-44.94
Stage 3	-11	-455.13	-38.24
Stage 3	-11.2	-460.17	-25.22
Stage 3	-11.4	-461.37	-5.98
Stage 3	-11.6	-458.33	15.19
Stage 3	-11.8	-451.07	36.27
Stage 3	-12	-439.61	57.3
Stage 3	-12.2	-423.95	78.32
Stage 3	-12.4	-404.07	99.41
Stage 3	-12.6	-379.95	120.57
Stage 3	-12.8	-352.76	135.99
Stage 3	-13	-323.61	145.7
Stage 3	-13.2	-293.5	150.6
Stage 3	-13.4	-263.2	151.49
Stage 3	-13.6	-233.37	149.11
Stage 3	-13.8	-204.55	144.14
Stage 3	-14	-177.12	137.15
Stage 3	-14.2	-151.38	128.67
Stage 3	-14.4	-127.56	119.13
Stage 3	-14.5	-116.41	111.48
Stage 3	-14.7	-95.67	103.67
Stage 3	-14.9	-77.06	93.05
Stage 3	-15.1	-60.57	82.45
Stage 3	-15.3	-46.11	72.33

Design Assumption: SISMICA GEO Risultati Paratia		Muro: LEFT	
Stage	Z (m)	Momento (kN*m/m)	Taglio (kN/m)
Stage 3	-15.5	-33.59	62.6
Stage 3	-15.7	-22.91	53.39
Stage 3	-15.9	-13.95	44.79
Stage 3	-16.1	-6.58	36.86
Stage 3	-16.3	-0.65	29.63
Stage 3	-16.5	3.97	23.12
Stage 3	-16.7	7.44	17.33
Stage 3	-16.9	9.89	12.26
Stage 3	-17.1	11.46	7.87
Stage 3	-17.3	12.29	4.16
Stage 3	-17.5	12.51	1.08
Stage 3	-17.7	12.23	-1.39
Stage 3	-17.9	11.57	-3.29
Stage 3	-18.1	10.65	-4.65
Stage 3	-18.3	9.54	-5.5
Stage 3	-18.5	8.37	-5.88
Stage 3	-18.7	7.21	-5.81
Stage 3	-18.9	6.15	-5.29
Stage 3	-19.1	5.28	-4.36
Stage 3	-19.3	4.67	-3.01
Stage 3	-19.5	4.42	-1.27
Stage 3	-19.7	4.59	0.86
Stage 3	-19.9	5.27	3.37
Stage 3	-20.1	6.52	6.25
Stage 3	-20.3	7.41	4.46
Stage 3	-20.5	8	2.92
Stage 3	-20.7	8.32	1.61
Stage 3	-20.9	8.42	0.51
Stage 3	-21.1	8.34	-0.39
Stage 3	-21.3	8.12	-1.12
Stage 3	-21.5	7.78	-1.69
Stage 3	-21.7	7.35	-2.12
Stage 3	-21.9	6.87	-2.43
Stage 3	-22.1	6.34	-2.64
Stage 3	-22.3	5.79	-2.75
Stage 3	-22.5	5.23	-2.79
Stage 3	-22.7	4.68	-2.76
Stage 3	-22.9	4.14	-2.69
Stage 3	-23.1	3.63	-2.58
Stage 3	-23.3	3.14	-2.43
Stage 3	-23.5	2.69	-2.26
Stage 3	-23.7	2.27	-2.08
Stage 3	-23.9	1.89	-1.89
Stage 3	-24.1	1.55	-1.69
Stage 3	-24.3	1.25	-1.5
Stage 3	-24.5	0.99	-1.31
Stage 3	-24.7	0.77	-1.13
Stage 3	-24.9	0.58	-0.96
Stage 3	-25.1	0.42	-0.79
Stage 3	-25.3	0.29	-0.64
Stage 3	-25.5	0.19	-0.51
Stage 3	-25.7	0.11	-0.39
Stage 3	-25.9	0.05	-0.28
Stage 3	-26.1	0.01	-0.19
Stage 3	-26.3	-0.01	-0.11
Stage 3	-26.5	-0.02	-0.05
Stage 3	-26.7	-0.02	-0.01
Stage 3	-26.9	-0.02	0.02
Stage 3	-27.1	-0.01	0.04
Stage 3	-27.3	0	0.03
Stage 3	-27.5	0	0.02

Tabella Risultati Paratia SISMICA GEO - Left Wall - Stage: Stage A

Design Assumption: SISMICA GEO Risultati Paratia		Muro: LEFT	
Stage	Z (m)	Momento (kN*m/m)	Taglio (kN/m)
Stage A	-2.5	0	0
Stage A	-2.7	0	0
Stage A	-2.7	0	0
Stage A	-2.9	-0.28	-1.37
Stage A	-3.1	-0.77	-2.47
Stage A	-3.3	-1.42	-3.28
Stage A	-3.5	-2.23	-4.02
Stage A	-3.7	-3.22	-4.96
Stage A	-3.9	-4.44	-6.09
Stage A	-4.1	-5.93	-7.43
Stage A	-4.3	-7.72	-8.97
Stage A	-4.5	-9.86	-10.71
Stage A	-4.7	-12.4	-12.67
Stage A	-4.9	-15.36	-14.83
Stage A	-5.1	-18.8	-17.2
Stage A	-5.3	-22.82	-20.11
Stage A	-5.5	-27.47	-23.25
Stage A	-5.7	-32.8	-26.62
Stage A	-5.9	-38.85	-30.23
Stage A	-6.1	-45.66	-34.06
Stage A	-6.3	-53.29	-38.14
Stage A	-6.5	-61.77	-42.44
Stage A	-6.7	-71.17	-46.98
Stage A	-6.9	-81.52	-51.74
Stage A	-7.1	-92.87	-56.74
Stage A	-7.3	-105.26	-61.97
Stage A	-7.5	-118.75	-67.44
Stage A	-7.7	-133.37	-73.12
Stage A	-7.9	-149.18	-79.05
Stage A	-8.1	-166.22	-85.2
Stage A	-8.3	-184.54	-91.58
Stage A	-8.5	-204.17	-98.19
Stage A	-8.7	-225.18	-105.05
Stage A	-8.9	-247.61	-112.13
Stage A	-9	-259.37	-117.62
Stage A	-9.2	-223.14	181.16
Stage A	-9.4	-188.44	173.5
Stage A	-9.6	-155.32	165.61
Stage A	-9.8	-123.82	157.48
Stage A	-10	-94	149.13
Stage A	-10.2	-65.89	140.55
Stage A	-10.4	-39.62	131.33
Stage A	-10.6	-15.24	121.88
Stage A	-10.8	7.19	112.19
Stage A	-11	27.65	102.27
Stage A	-11.2	46.07	92.13
Stage A	-11.4	62.42	81.75
Stage A	-11.6	76.66	71.15
Stage A	-11.8	88.72	60.32
Stage A	-12	98.57	49.27
Stage A	-12.2	106.17	37.99
Stage A	-12.4	111.47	26.49
Stage A	-12.6	114.42	14.75
Stage A	-12.8	114.98	2.8
Stage A	-13	113.1	-9.38
Stage A	-13.2	108.75	-21.78
Stage A	-13.4	101.87	-34.4
Stage A	-13.6	92.42	-47.24
Stage A	-13.8	80.36	-60.31
Stage A	-14	65.64	-73.58
Stage A	-14.2	48.22	-87.09
Stage A	-14.4	28.06	-100.81
Stage A	-14.5	16.93	-111.27
Stage A	-14.7	-7.43	-121.81
Stage A	-14.9	-34.64	-136.08
Stage A	-15.1	-64.76	-150.57
Stage A	-15.3	-97.3	-162.7

Design Assumption: SISMICA GEO Risultati Paratia		Muro: LEFT	
Stage	Z (m)	Momento (kN*m/m)	Taglio (kN/m)
Stage A	-15.5	-131.31	-170.05
Stage A	-15.7	-165.83	-172.6
Stage A	-15.9	-199.9	-170.35
Stage A	-16.1	-232.56	-163.31
Stage A	-16.3	-262.85	-151.47
Stage A	-16.5	-289.82	-134.83
Stage A	-16.7	-312.5	-113.38
Stage A	-16.9	-329.92	-87.13
Stage A	-17.1	-341.24	-56.58
Stage A	-17.3	-346.75	-27.56
Stage A	-17.5	-346.73	0.1
Stage A	-17.7	-341.69	25.23
Stage A	-17.9	-332.49	45.97
Stage A	-18.1	-319.95	62.74
Stage A	-18.3	-304.75	75.97
Stage A	-18.5	-287.53	86.12
Stage A	-18.7	-268.8	93.64
Stage A	-18.9	-249.01	98.94
Stage A	-19.1	-228.53	102.43
Stage A	-19.3	-207.64	104.45
Stage A	-19.5	-186.57	105.35
Stage A	-19.7	-165.48	105.43
Stage A	-19.9	-144.48	104.97
Stage A	-20.1	-123.64	104.21
Stage A	-20.3	-104.52	95.62
Stage A	-20.5	-87.1	87.12
Stage A	-20.7	-71.34	78.79
Stage A	-20.9	-57.19	70.73
Stage A	-21.1	-44.59	63
Stage A	-21.3	-33.46	55.65
Stage A	-21.5	-23.71	48.72
Stage A	-21.7	-15.27	42.23
Stage A	-21.9	-8.03	36.19
Stage A	-22.1	-1.91	30.62
Stage A	-22.3	3.2	25.51
Stage A	-22.5	7.36	20.85
Stage A	-22.7	10.69	16.63
Stage A	-22.9	13.26	12.84
Stage A	-23.1	15.15	9.46
Stage A	-23.3	16.44	6.47
Stage A	-23.5	17.21	3.84
Stage A	-23.7	17.53	1.56
Stage A	-23.9	17.45	-0.4
Stage A	-24.1	17.03	-2.06
Stage A	-24.3	16.35	-3.44
Stage A	-24.5	15.43	-4.56
Stage A	-24.7	14.34	-5.45
Stage A	-24.9	13.12	-6.12
Stage A	-25.1	11.8	-6.59
Stage A	-25.3	10.43	-6.87
Stage A	-25.5	9.03	-6.99
Stage A	-25.7	7.64	-6.94
Stage A	-25.9	6.29	-6.74
Stage A	-26.1	5.01	-6.41
Stage A	-26.3	3.82	-5.94
Stage A	-26.5	2.75	-5.35
Stage A	-26.7	1.82	-4.64
Stage A	-26.9	1.06	-3.81
Stage A	-27.1	0.49	-2.87
Stage A	-27.3	0.13	-1.81
Stage A	-27.5	0	-0.64

Tabella Risultati Paratia SISMICA GEO - Left Wall - Stage: Stage B

Design Assumption: SISMICA GEO Risultati Paratia		Muro: LEFT	
Stage	Z (m)	Momento (kN*m/m)	Taglio (kN/m)
Stage B	-2.5	0	0
Stage B	-2.7	0	0
Stage B	-2.9	-0.15	-0.75
Stage B	-3.1	-0.4	-1.24
Stage B	-3.3	-0.76	-1.79
Stage B	-3.5	-1.27	-2.54
Stage B	-3.7	-1.96	-3.48
Stage B	-3.9	-2.88	-4.61
Stage B	-4.1	-4.07	-5.95
Stage B	-4.3	-5.57	-7.49
Stage B	-4.5	-7.42	-9.23
Stage B	-4.7	-9.65	-11.18
Stage B	-4.9	-12.32	-13.35
Stage B	-5.1	-15.47	-15.72
Stage B	-5.3	-19.19	-18.63
Stage B	-5.5	-23.55	-21.77
Stage B	-5.7	-28.57	-25.14
Stage B	-5.9	-34.32	-28.75
Stage B	-6.1	-40.84	-32.58
Stage B	-6.3	-48.17	-36.66
Stage B	-6.5	-56.36	-40.96
Stage B	-6.7	-65.46	-45.5
Stage B	-6.9	-75.51	-50.26
Stage B	-7.1	-86.56	-55.26
Stage B	-7.3	-98.66	-60.49
Stage B	-7.5	-111.85	-65.95
Stage B	-7.7	-126.18	-71.64
Stage B	-7.9	-141.69	-77.57
Stage B	-8.1	-158.44	-83.71
Stage B	-8.3	-176.45	-90.1
Stage B	-8.5	-195.8	-96.71
Stage B	-8.7	-216.51	-103.56
Stage B	-8.9	-238.64	-110.64
Stage B	-9	-250.25	-116.14
Stage B	-9.2	-213.71	182.71
Stage B	-9.4	-178.7	175.04
Stage B	-9.6	-145.27	167.15
Stage B	-9.8	-113.45	159.1
Stage B	-10	-83.31	150.72
Stage B	-10.2	-54.91	142.01
Stage B	-10.4	-28.44	132.35
Stage B	-10.6	-3.99	122.22
Stage B	-10.8	18.34	111.65
Stage B	-11	38.46	100.6
Stage B	-11.2	56.27	89.08
Stage B	-11.4	71.69	77.07
Stage B	-11.6	84.6	64.58
Stage B	-11.8	94.92	51.58
Stage B	-12	102.54	38.08
Stage B	-12.2	107.35	24.06
Stage B	-12.4	109.26	9.54
Stage B	-12.6	108.16	-5.51
Stage B	-12.8	103.94	-21.06
Stage B	-13	96.52	-37.12
Stage B	-13.2	85.79	-53.67
Stage B	-13.4	71.64	-70.71
Stage B	-13.6	54.01	-88.19
Stage B	-13.8	32.78	-106.11
Stage B	-14	7.9	-124.42
Stage B	-14.2	-20.72	-143.09
Stage B	-14.4	-53.13	-162.06
Stage B	-14.5	-70.78	-176.46
Stage B	-14.7	-79.7	-44.63
Stage B	-14.9	-92.51	-64.05
Stage B	-15.1	-109.22	-83.54
Stage B	-15.3	-129.85	-103.12
Stage B	-15.5	-153.45	-118.03

Design Assumption: SISMICA GEO Risultati Paratia		Muro: LEFT	
Stage	Z (m)	Momento (kN*m/m)	Taglio (kN/m)
Stage B	-15.7	-178.99	-127.68
Stage B	-15.9	-205.4	-132.04
Stage B	-16.1	-231.61	-131.08
Stage B	-16.3	-256.58	-124.81
Stage B	-16.5	-279.22	-113.2
Stage B	-16.7	-298.47	-96.28
Stage B	-16.9	-313.28	-74.06
Stage B	-17.1	-322.7	-47.06
Stage B	-17.3	-326.92	-21.12
Stage B	-17.5	-326.15	3.86
Stage B	-17.7	-320.8	26.72
Stage B	-17.9	-311.69	45.55
Stage B	-18.1	-299.54	60.75
Stage B	-18.3	-285	72.71
Stage B	-18.5	-268.63	81.87
Stage B	-18.7	-250.9	88.64
Stage B	-18.9	-232.22	93.41
Stage B	-19.1	-212.91	96.54
Stage B	-19.3	-193.23	98.39
Stage B	-19.5	-173.38	99.25
Stage B	-19.7	-153.5	99.41
Stage B	-19.9	-133.68	99.12
Stage B	-20.1	-113.96	98.61
Stage B	-20.3	-95.9	90.26
Stage B	-20.5	-79.5	82.02
Stage B	-20.7	-64.7	74
Stage B	-20.9	-51.45	66.25
Stage B	-21.1	-39.68	58.85
Stage B	-21.3	-29.31	51.83
Stage B	-21.5	-20.27	45.23
Stage B	-21.7	-12.45	39.07
Stage B	-21.9	-5.78	33.36
Stage B	-22.1	-0.16	28.09
Stage B	-22.3	4.49	23.28
Stage B	-22.5	8.27	18.9
Stage B	-22.7	11.26	14.95
Stage B	-22.9	13.55	11.41
Stage B	-23.1	15.2	8.27
Stage B	-23.3	16.3	5.49
Stage B	-23.5	16.91	3.06
Stage B	-23.7	17.1	0.96
Stage B	-23.9	16.93	-0.84
Stage B	-24.1	16.46	-2.36
Stage B	-24.3	15.74	-3.61
Stage B	-24.5	14.81	-4.63
Stage B	-24.7	13.73	-5.42
Stage B	-24.9	12.53	-6.01
Stage B	-25.1	11.24	-6.42
Stage B	-25.3	9.91	-6.65
Stage B	-25.5	8.57	-6.72
Stage B	-25.7	7.24	-6.65
Stage B	-25.9	5.95	-6.44
Stage B	-26.1	4.73	-6.1
Stage B	-26.3	3.61	-5.64
Stage B	-26.5	2.59	-5.07
Stage B	-26.7	1.72	-4.38
Stage B	-26.9	1	-3.59
Stage B	-27.1	0.46	-2.7
Stage B	-27.3	0.12	-1.7
Stage B	-27.5	0	-0.6

Tabella Risultati Paratia SISMICA GEO - Left Wall - Stage: Stage 4

Design Assumption: SISMICA GEO Risultati Paratia		Muro: LEFT	
Stage	Z (m)	Momento (kN*m/m)	Taglio (kN/m)
Stage 4	-2.5	0	0
Stage 4	-2.7	0	0
Stage 4	-2.7	0	0
Stage 4	-2.9	-0.04	-0.19
Stage 4	-3.1	-0.15	-0.57
Stage 4	-3.3	-0.38	-1.12
Stage 4	-3.5	-0.75	-1.87
Stage 4	-3.7	-1.31	-2.81
Stage 4	-3.9	-2.1	-3.94
Stage 4	-4.1	-3.16	-5.27
Stage 4	-4.3	-4.52	-6.81
Stage 4	-4.5	-6.23	-8.56
Stage 4	-4.7	-8.33	-10.51
Stage 4	-4.9	-10.87	-12.67
Stage 4	-5.1	-13.88	-15.05
Stage 4	-5.3	-17.47	-17.95
Stage 4	-5.5	-21.69	-21.1
Stage 4	-5.7	-26.58	-24.47
Stage 4	-5.9	-32.19	-28.07
Stage 4	-6.1	-38.58	-31.91
Stage 4	-6.3	-45.77	-35.98
Stage 4	-6.5	-53.83	-40.28
Stage 4	-6.7	-62.79	-44.82
Stage 4	-6.9	-72.71	-49.58
Stage 4	-7.1	-83.63	-54.59
Stage 4	-7.3	-95.59	-59.81
Stage 4	-7.5	-108.65	-65.28
Stage 4	-7.7	-122.84	-70.96
Stage 4	-7.9	-138.22	-76.89
Stage 4	-8.1	-154.82	-83.04
Stage 4	-8.3	-172.71	-89.42
Stage 4	-8.5	-191.91	-96.03
Stage 4	-8.7	-212.49	-102.89
Stage 4	-8.9	-234.49	-109.97
Stage 4	-9	-246.03	-115.46
Stage 4	-9.2	-175.86	350.84
Stage 4	-9.4	-107.23	343.18
Stage 4	-9.6	-40.17	335.28
Stage 4	-9.8	25.26	327.16
Stage 4	-10	89.02	318.81
Stage 4	-10.2	151.07	310.23
Stage 4	-10.4	211.27	301.01
Stage 4	-10.6	269.58	291.55
Stage 4	-10.8	325.95	281.86
Stage 4	-11	380.34	271.94
Stage 4	-11.2	432.7	261.79
Stage 4	-11.4	482.98	251.41
Stage 4	-11.6	531.14	240.81
Stage 4	-11.8	577.13	229.97
Stage 4	-12	620.92	218.92
Stage 4	-12.2	662.44	207.63
Stage 4	-12.4	701.67	196.12
Stage 4	-12.6	738.54	184.38
Stage 4	-12.8	773.03	172.42
Stage 4	-13	805.08	160.24
Stage 4	-13.2	834.64	147.83
Stage 4	-13.4	861.68	135.2
Stage 4	-13.6	886.16	122.36
Stage 4	-13.8	908.01	109.29
Stage 4	-14	927.21	96
Stage 4	-14.2	943.71	82.49
Stage 4	-14.4	957.46	68.76
Stage 4	-14.5	963.3	58.3
Stage 4	-14.7	1021.52	291.12
Stage 4	-14.9	1076.89	276.85
Stage 4	-15.1	1129.36	262.35
Stage 4	-15.3	1178.9	247.7

Design Assumption: SISMICA GEO Risultati Paratia		Muro: LEFT	
Stage	Z (m)	Momento (kN*m/m)	Taglio (kN/m)
Stage 4	-15.5	1225.46	232.82
Stage 4	-15.7	1269.01	217.72
Stage 4	-15.9	1309.49	202.39
Stage 4	-16.1	1346.85	186.84
Stage 4	-16.3	1381.07	171.06
Stage 4	-16.5	1412.08	155.08
Stage 4	-16.7	1439.86	138.87
Stage 4	-16.9	1464.35	122.45
Stage 4	-17.1	1485.51	105.81
Stage 4	-17.3	1503.3	88.96
Stage 4	-17.5	1517.68	71.9
Stage 4	-17.7	1528.6	54.62
Stage 4	-17.9	1536.03	37.13
Stage 4	-18.1	1539.92	19.43
Stage 4	-18.3	1540.22	1.52
Stage 4	-18.5	1536.89	-16.66
Stage 4	-18.7	1529.88	-35.07
Stage 4	-18.9	1519.14	-53.68
Stage 4	-19.1	1504.63	-72.52
Stage 4	-19.3	1486.32	-91.58
Stage 4	-19.5	1464.14	-110.87
Stage 4	-19.7	1438.06	-130.4
Stage 4	-19.9	1408.04	-150.15
Stage 4	-20.1	1374.01	-170.12
Stage 4	-20.3	1335.94	-190.33
Stage 4	-20.5	1293.79	-210.76
Stage 4	-20.7	1247.5	-231.43
Stage 4	-20.9	1197.04	-252.32
Stage 4	-21.1	1142.35	-273.45
Stage 4	-21.3	1083.67	-293.39
Stage 4	-21.5	1021.52	-310.74
Stage 4	-21.7	956.42	-325.51
Stage 4	-21.9	888.88	-337.68
Stage 4	-22.1	819.43	-347.27
Stage 4	-22.3	748.57	-354.27
Stage 4	-22.5	676.84	-358.69
Stage 4	-22.7	604.74	-360.51
Stage 4	-22.9	532.79	-359.73
Stage 4	-23.1	461.51	-356.38
Stage 4	-23.3	391.43	-350.42
Stage 4	-23.5	323.05	-341.88
Stage 4	-23.7	256.9	-330.75
Stage 4	-23.9	193.49	-317.03
Stage 4	-24.1	133.35	-300.72
Stage 4	-24.3	76.99	-281.81
Stage 4	-24.5	24.93	-260.31
Stage 4	-24.7	-22.31	-236.22
Stage 4	-24.9	-64.22	-209.54
Stage 4	-25.1	-100.27	-180.26
Stage 4	-25.3	-129.94	-148.32
Stage 4	-25.5	-152.71	-113.84
Stage 4	-25.7	-168.07	-76.82
Stage 4	-25.9	-175.53	-37.29
Stage 4	-26.1	-174.57	4.78
Stage 4	-26.3	-164.7	49.35
Stage 4	-26.5	-145.41	96.45
Stage 4	-26.7	-116.2	146.06
Stage 4	-26.9	-77.17	195.17
Stage 4	-27.1	-38.2	194.85
Stage 4	-27.3	-10.5	138.47
Stage 4	-27.5	0	52.51

Tabella Risultati Paratia SISMICA GEO - Left Wall - Stage: Stage 5

Design Assumption: SISMICA GEO Risultati Paratia		Muro: LEFT	
Stage	Z (m)	Momento (kN*m/m)	Taglio (kN/m)
Stage 5	-2.5	0	-0.01
Stage 5	-2.7	0	-0.01
Stage 5	-2.7	0	-0.01
Stage 5	-2.9	-0.04	-0.19
Stage 5	-2.9	-0.04	-0.19
Stage 5	-3.1	-0.15	-0.54
Stage 5	-3.3	-0.36	-1.06
Stage 5	-3.5	-0.71	-1.75
Stage 5	-3.7	-1.23	-2.61
Stage 5	-3.9	-1.96	-3.66
Stage 5	-4.1	-2.94	-4.89
Stage 5	-4.3	-4.2	-6.3
Stage 5	-4.5	-5.81	-8.05
Stage 5	-4.7	-7.81	-10
Stage 5	-4.9	-10.24	-12.16
Stage 5	-5.1	-13.15	-14.54
Stage 5	-5.3	-16.64	-17.44
Stage 5	-5.5	-20.76	-20.59
Stage 5	-5.7	-25.55	-23.96
Stage 5	-5.9	-31.06	-27.57
Stage 5	-6.1	-37.34	-31.4
Stage 5	-6.3	-44.44	-35.48
Stage 5	-6.5	-52.39	-39.77
Stage 5	-6.7	-61.26	-44.31
Stage 5	-6.9	-71.07	-49.08
Stage 5	-7.1	-81.89	-54.08
Stage 5	-7.3	-93.75	-59.31
Stage 5	-7.5	-106.7	-64.77
Stage 5	-7.7	-120.79	-70.46
Stage 5	-7.9	-136.07	-76.39
Stage 5	-8.1	-152.58	-82.53
Stage 5	-8.3	-170.36	-88.92
Stage 5	-8.5	-189.47	-95.52
Stage 5	-8.7	-209.94	-102.38
Stage 5	-8.9	-231.83	-109.46
Stage 5	-9	-243.33	-114.96
Stage 5	-9.2	-173.02	351.56
Stage 5	-9.4	-104.24	343.89
Stage 5	-9.6	-37.04	336
Stage 5	-9.8	28.53	327.87
Stage 5	-10	92.44	319.52
Stage 5	-10.2	154.62	310.94
Stage 5	-10.4	214.97	301.73
Stage 5	-10.6	273.42	292.27
Stage 5	-10.8	329.94	282.58
Stage 5	-11	384.47	272.66
Stage 5	-11.2	436.98	262.52
Stage 5	-11.4	487.41	252.14
Stage 5	-11.6	535.71	241.55
Stage 5	-11.8	581.86	230.71
Stage 5	-12	625.79	219.66
Stage 5	-12.2	667.47	208.38
Stage 5	-12.4	706.84	196.88
Stage 5	-12.6	743.87	185.14
Stage 5	-12.8	778.51	173.19
Stage 5	-13	810.71	161.01
Stage 5	-13.2	840.43	148.61
Stage 5	-13.4	867.63	135.99
Stage 5	-13.6	892.26	123.15
Stage 5	-13.8	914.28	110.09
Stage 5	-14	933.64	96.81
Stage 5	-14.2	950.3	83.3
Stage 5	-14.4	964.22	69.58
Stage 5	-14.5	970.13	59.12
Stage 5	-14.7	1028.54	292.04
Stage 5	-14.9	1084.09	277.77
Stage 5	-15.1	1136.75	263.28

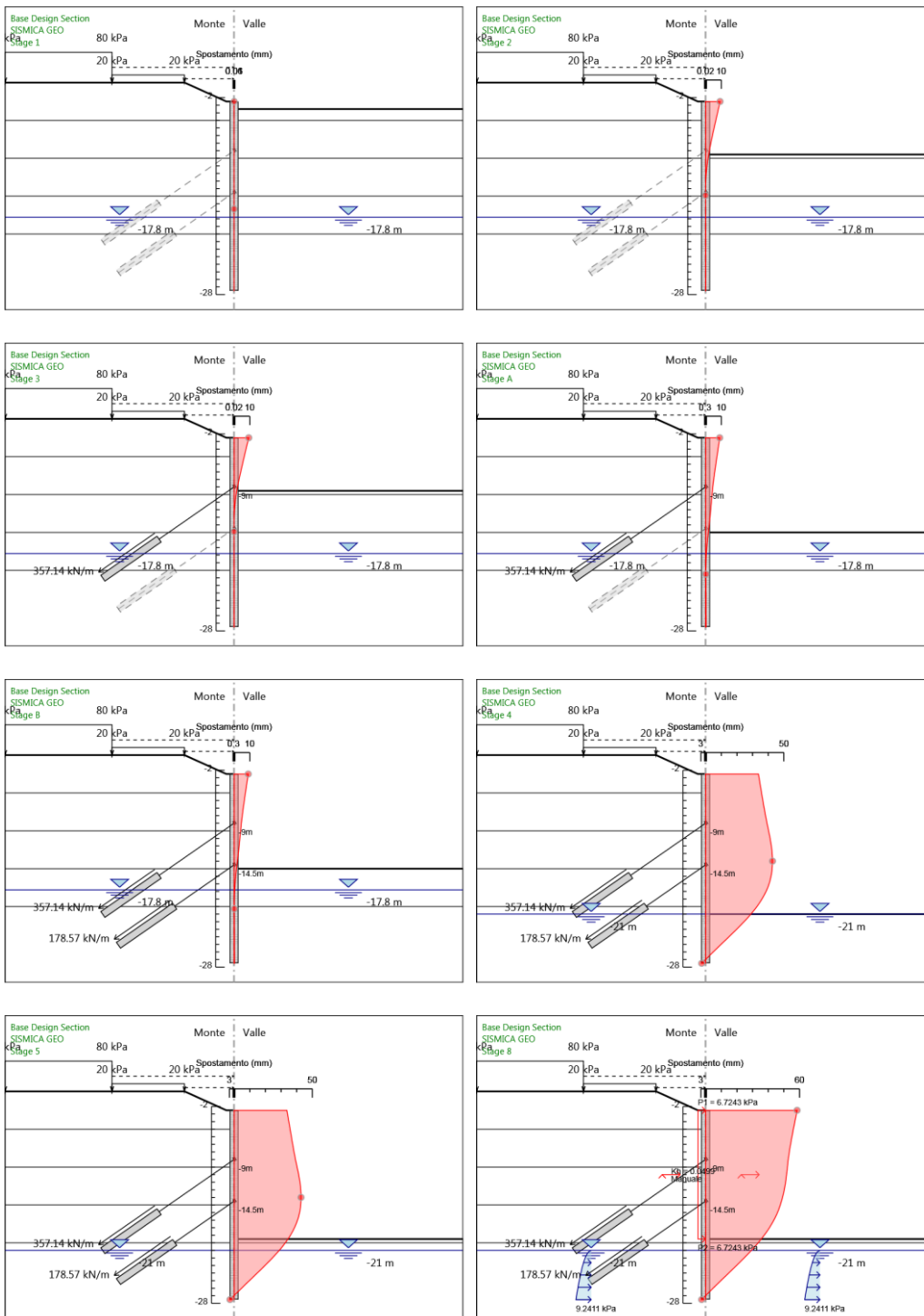
Design Assumption: SISMICA GEO Risultati Paratia		Muro: LEFT	
Stage	Z (m)	Momento (kN*m/m)	Taglio (kN/m)
Stage 5	-15.3	1186.48	248.64
Stage 5	-15.5	1233.23	233.76
Stage 5	-15.7	1276.96	218.65
Stage 5	-15.9	1317.62	203.32
Stage 5	-16.1	1355.18	187.77
Stage 5	-16.3	1389.57	171.99
Stage 5	-16.5	1420.77	155.99
Stage 5	-16.7	1448.72	139.77
Stage 5	-16.9	1473.39	123.33
Stage 5	-17.1	1494.73	106.67
Stage 5	-17.3	1512.69	89.8
Stage 5	-17.5	1527.23	72.7
Stage 5	-17.7	1538.31	55.39
Stage 5	-17.9	1545.87	37.83
Stage 5	-18.1	1549.84	19.84
Stage 5	-18.3	1550.12	1.42
Stage 5	-18.5	1546.64	-17.44
Stage 5	-18.7	1539.28	-36.76
Stage 5	-18.9	1527.98	-56.53
Stage 5	-19.1	1512.62	-76.77
Stage 5	-19.3	1493.12	-97.5
Stage 5	-19.5	1469.38	-118.72
Stage 5	-19.7	1441.29	-140.45
Stage 5	-19.9	1408.8	-162.44
Stage 5	-20.1	1371.85	-184.74
Stage 5	-20.3	1330.56	-206.49
Stage 5	-20.5	1284.86	-228.45
Stage 5	-20.7	1234.73	-250.65
Stage 5	-20.9	1180.18	-272.75
Stage 5	-21.1	1121.23	-294.75
Stage 5	-21.3	1059.82	-307.04
Stage 5	-21.5	996.08	-318.71
Stage 5	-21.7	930.27	-329.05
Stage 5	-21.9	862.72	-337.75
Stage 5	-22.1	793.8	-344.62
Stage 5	-22.3	723.9	-349.52
Stage 5	-22.5	653.43	-352.36
Stage 5	-22.7	582.82	-353.04
Stage 5	-22.9	512.52	-351.49
Stage 5	-23.1	442.99	-347.66
Stage 5	-23.3	374.69	-341.47
Stage 5	-23.5	308.11	-332.91
Stage 5	-23.7	243.72	-321.91
Stage 5	-23.9	182.03	-308.46
Stage 5	-24.1	123.53	-292.5
Stage 5	-24.3	68.73	-274.02
Stage 5	-24.5	18.13	-252.99
Stage 5	-24.7	-27.75	-229.4
Stage 5	-24.9	-68.39	-203.22
Stage 5	-25.1	-103.28	-174.44
Stage 5	-25.3	-131.89	-143.05
Stage 5	-25.5	-153.7	-109.07
Stage 5	-25.7	-168.25	-72.73
Stage 5	-25.9	-175.09	-34.21
Stage 5	-26.1	-173.75	6.73
Stage 5	-26.3	-163.69	50.31
Stage 5	-26.5	-144.37	96.55
Stage 5	-26.7	-115.29	145.44
Stage 5	-26.9	-76.5	193.95
Stage 5	-27.1	-37.78	193.59
Stage 5	-27.3	-10.33	137.24
Stage 5	-27.5	0	51.66

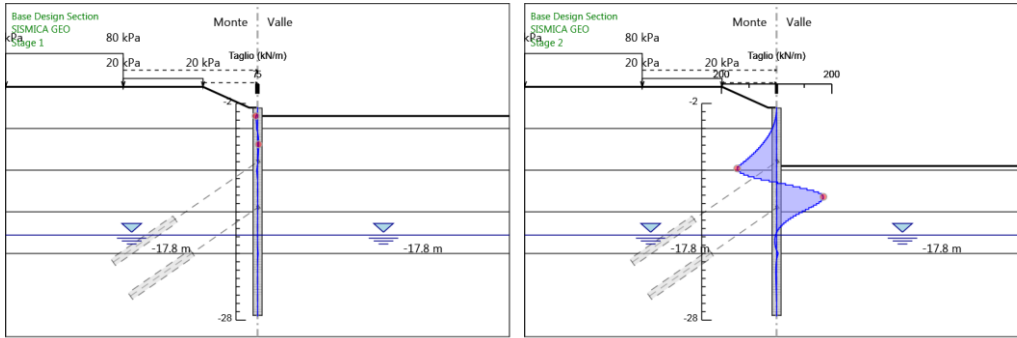
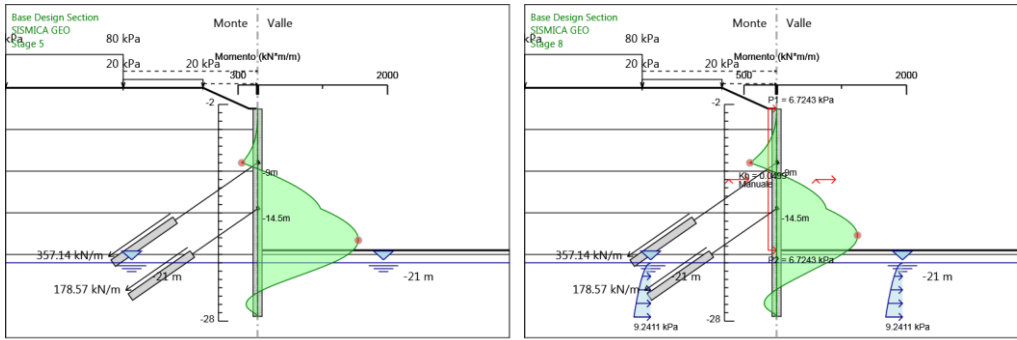
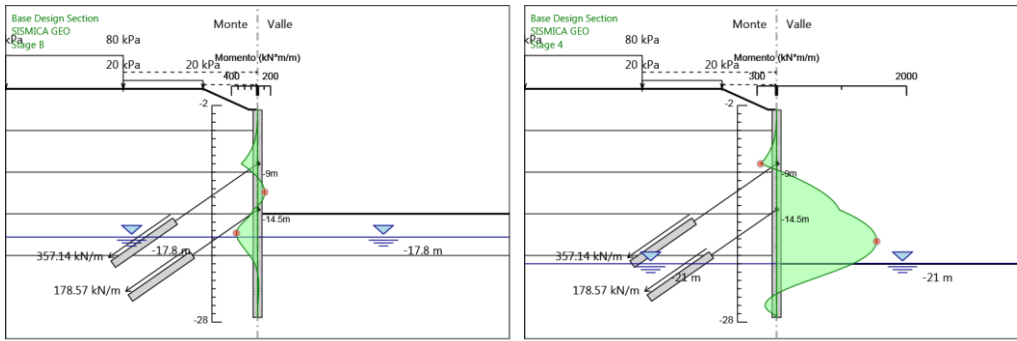
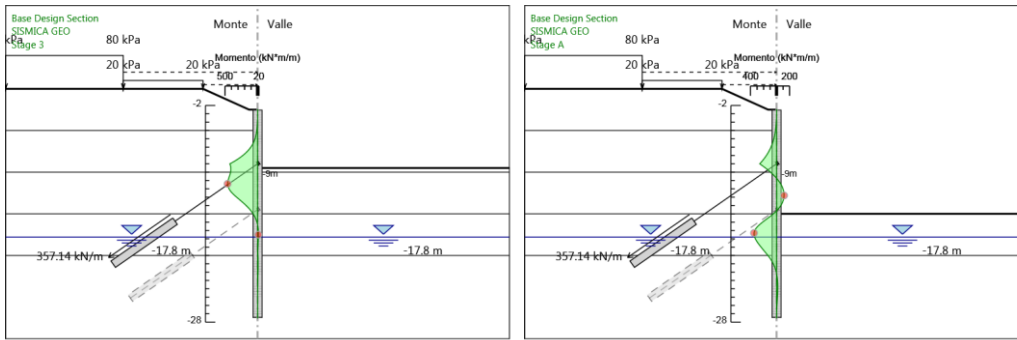
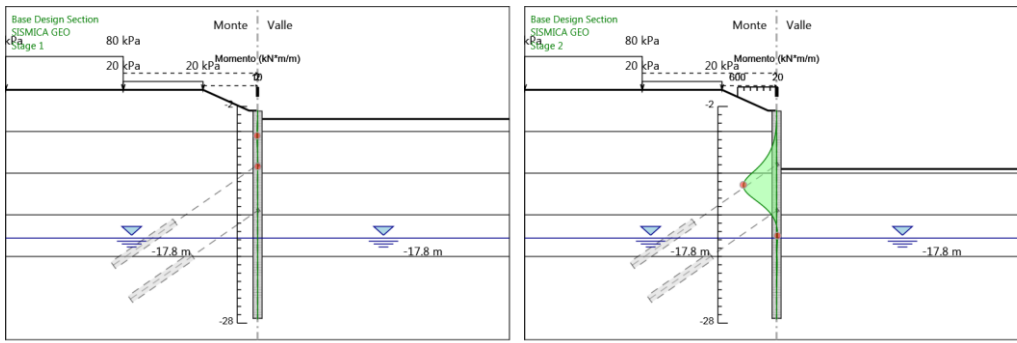
Tabella Risultati Paratia SISMICA GEO - Left Wall - Stage: Stage 8

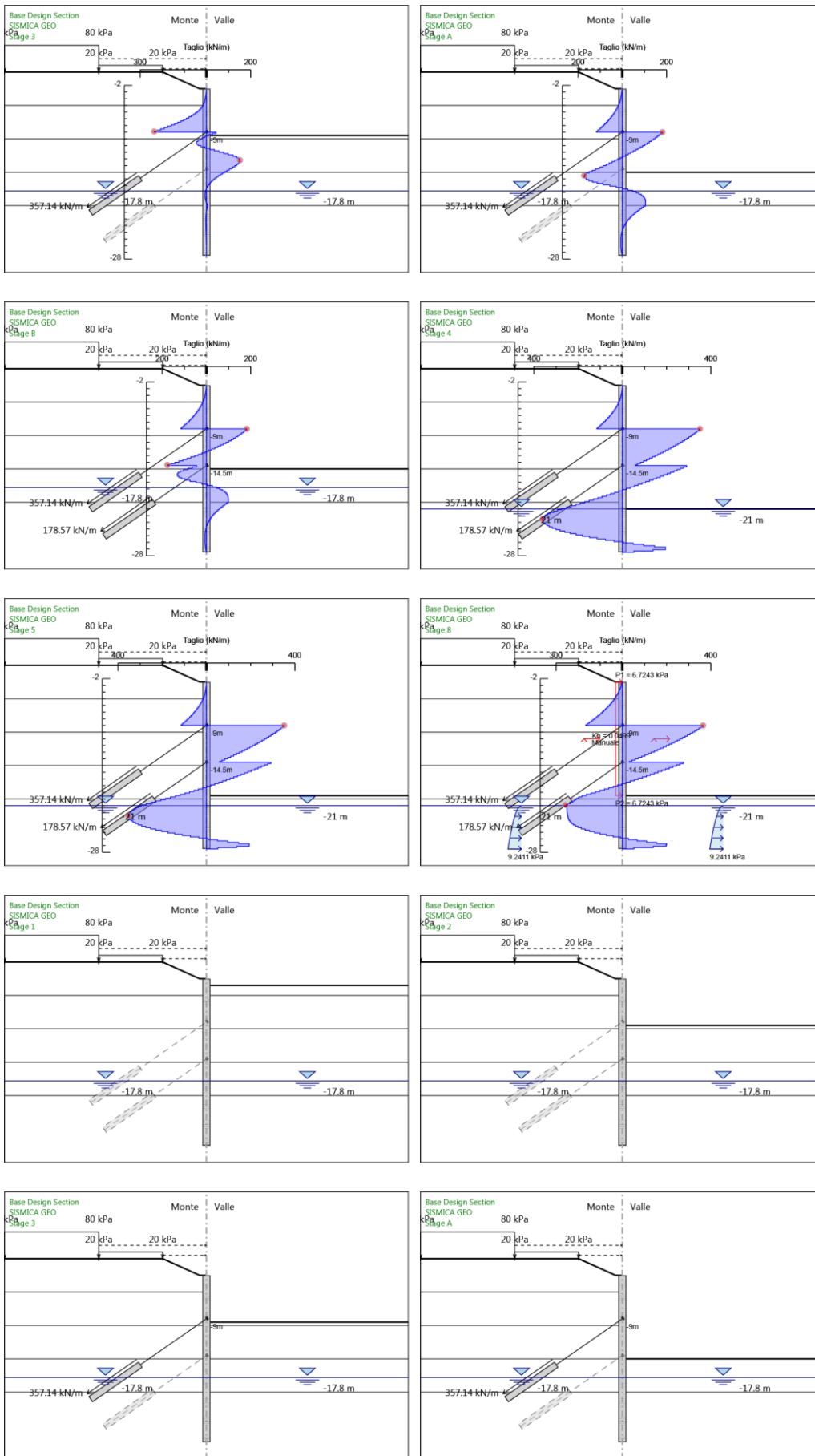
Design Assumption: SISMICA GEO Risultati Paratia		Muro: LEFT	
Stage	Z (m)	Momento (kN*m/m)	Taglio (kN/m)
Stage 8	-2.5	0	-0.78
Stage 8	-2.7	-0.16	-0.78
Stage 8	-2.9	-0.66	-2.53
Stage 8	-3.1	-1.55	-4.46
Stage 8	-3.3	-2.87	-6.57
Stage 8	-3.5	-4.64	-8.87
Stage 8	-3.7	-6.91	-11.36
Stage 8	-3.9	-9.72	-14.05
Stage 8	-4.1	-13.11	-16.94
Stage 8	-4.3	-17.12	-20.04
Stage 8	-4.5	-21.79	-23.34
Stage 8	-4.7	-27.16	-26.85
Stage 8	-4.9	-33.27	-30.56
Stage 8	-5.1	-40.17	-34.49
Stage 8	-5.3	-47.96	-38.95
Stage 8	-5.5	-56.69	-43.65
Stage 8	-5.7	-66.4	-48.58
Stage 8	-5.9	-77.15	-53.74
Stage 8	-6.1	-88.98	-59.13
Stage 8	-6.3	-101.93	-64.76
Stage 8	-6.5	-116.06	-70.62
Stage 8	-6.7	-131.4	-76.71
Stage 8	-6.9	-148	-83.03
Stage 8	-7.1	-165.92	-89.59
Stage 8	-7.3	-185.2	-96.37
Stage 8	-7.5	-205.87	-103.39
Stage 8	-7.7	-228	-110.63
Stage 8	-7.9	-251.62	-118.12
Stage 8	-8.1	-276.79	-125.82
Stage 8	-8.3	-303.54	-133.76
Stage 8	-8.5	-331.92	-141.92
Stage 8	-8.7	-361.99	-150.34
Stage 8	-8.9	-393.78	-158.97
Stage 8	-9	-410.35	-165.63
Stage 8	-9.2	-337.32	365.14
Stage 8	-9.4	-266.14	355.91
Stage 8	-9.6	-196.85	346.47
Stage 8	-9.8	-129.49	336.78
Stage 8	-10	-64.11	326.88
Stage 8	-10.2	-0.76	316.74
Stage 8	-10.4	60.43	305.97
Stage 8	-10.6	119.42	294.96
Stage 8	-10.8	176.17	283.72
Stage 8	-11	230.62	272.24
Stage 8	-11.2	282.72	260.55
Stage 8	-11.4	332.45	248.61
Stage 8	-11.6	379.74	236.46
Stage 8	-11.8	424.55	224.07
Stage 8	-12	466.85	211.46
Stage 8	-12.2	506.57	198.63
Stage 8	-12.4	543.69	185.57
Stage 8	-12.6	578.14	172.28
Stage 8	-12.8	609.9	158.77
Stage 8	-13	638.9	145.04
Stage 8	-13.2	665.12	131.08
Stage 8	-13.4	688.5	116.91
Stage 8	-13.6	709	102.51
Stage 8	-13.8	726.58	87.89
Stage 8	-14	741.19	73.06
Stage 8	-14.2	752.79	58
Stage 8	-14.4	761.34	42.72
Stage 8	-14.5	764.44	31.09
Stage 8	-14.7	819.75	276.55
Stage 8	-14.9	871.9	260.72
Stage 8	-15.1	920.83	244.68
Stage 8	-15.3	966.53	228.47
Stage 8	-15.5	1008.94	212.04

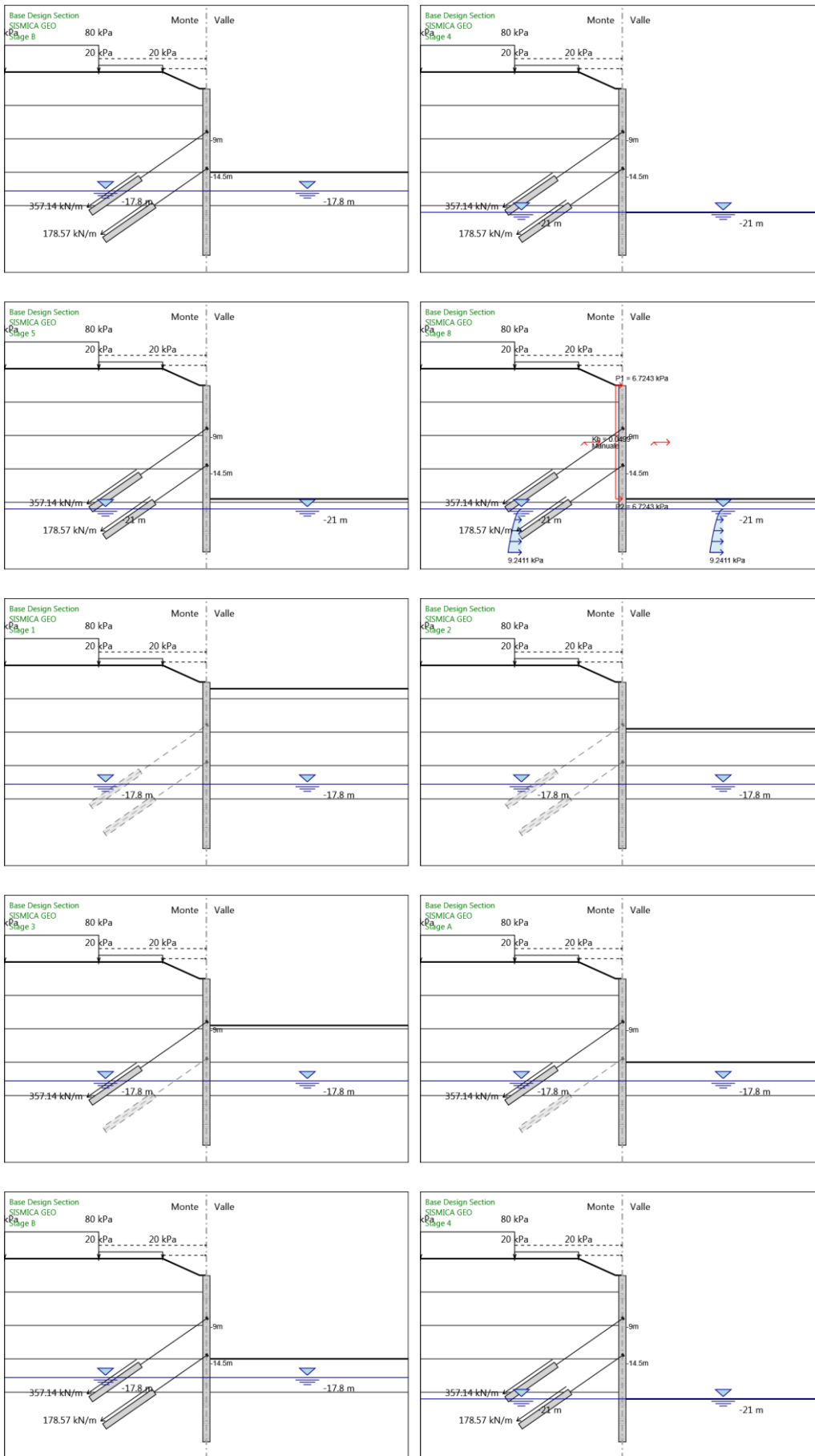
Design Assumption: SISMICA GEO Risultati Paratia		Muro: LEFT	
Stage	Z (m)	Momento (kN*m/m)	Taglio (kN/m)
Stage 8	-15.7	1048.01	195.38
Stage 8	-15.9	1083.71	178.49
Stage 8	-16.1	1115.99	161.38
Stage 8	-16.3	1144.8	144.05
Stage 8	-16.5	1170.1	126.49
Stage 8	-16.7	1191.84	108.72
Stage 8	-16.9	1209.98	90.73
Stage 8	-17.1	1224.49	72.51
Stage 8	-17.3	1235.3	54.08
Stage 8	-17.5	1242.39	35.43
Stage 8	-17.7	1245.7	16.57
Stage 8	-17.9	1245.2	-2.52
Stage 8	-18.1	1240.83	-21.82
Stage 8	-18.3	1232.56	-41.35
Stage 8	-18.5	1220.35	-61.09
Stage 8	-18.7	1204.14	-81.05
Stage 8	-18.9	1183.89	-101.22
Stage 8	-19.1	1159.57	-121.61
Stage 8	-19.3	1131.13	-142.23
Stage 8	-19.5	1098.51	-163.07
Stage 8	-19.7	1061.99	-182.59
Stage 8	-19.9	1022.5	-197.46
Stage 8	-20.1	980.97	-207.68
Stage 8	-20.3	937.86	-215.51
Stage 8	-20.5	892.98	-224.42
Stage 8	-20.7	846.12	-234.26
Stage 8	-20.9	797.15	-244.86
Stage 8	-21.1	745.92	-256.19
Stage 8	-21.3	695.32	-252.96
Stage 8	-21.5	645	-251.62
Stage 8	-21.7	594.79	-251.03
Stage 8	-21.9	544.67	-250.63
Stage 8	-22.1	494.66	-250.02
Stage 8	-22.3	444.89	-248.87
Stage 8	-22.5	395.33	-247.77
Stage 8	-22.7	345.98	-246.76
Stage 8	-22.9	296.9	-245.42
Stage 8	-23.1	248.21	-243.4
Stage 8	-23.3	200.15	-240.33
Stage 8	-23.5	152.96	-235.93
Stage 8	-23.7	106.98	-229.91
Stage 8	-23.9	62.57	-222.06
Stage 8	-24.1	20.14	-212.15
Stage 8	-24.3	-19.86	-199.99
Stage 8	-24.5	-56.95	-185.43
Stage 8	-24.7	-90.61	-168.33
Stage 8	-24.9	-120.33	-148.58
Stage 8	-25.1	-145.54	-126.07
Stage 8	-25.3	-165.69	-100.73
Stage 8	-25.5	-180.19	-72.51
Stage 8	-25.7	-188.51	-41.62
Stage 8	-25.9	-190.15	-8.17
Stage 8	-26.1	-184.53	28.07
Stage 8	-26.3	-171.06	67.37
Stage 8	-26.5	-149.11	109.76
Stage 8	-26.7	-118.06	155.22
Stage 8	-26.9	-77.91	200.76
Stage 8	-27.1	-38.33	197.87
Stage 8	-27.3	-10.45	139.45
Stage 8	-27.5	0	52.24

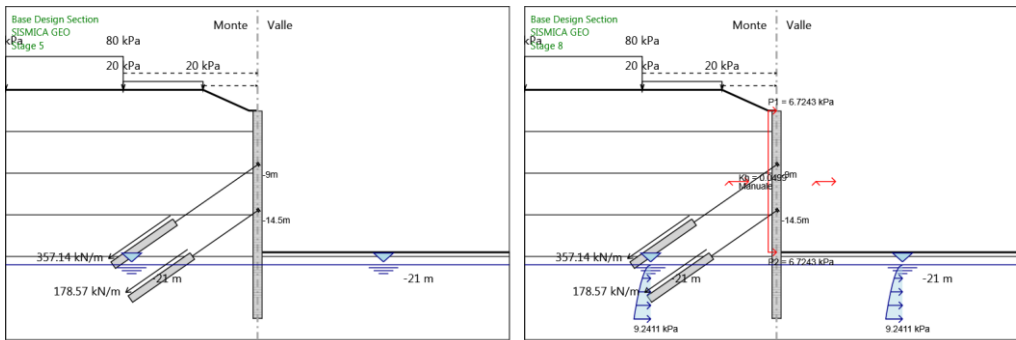
Tabella Grafici dei Risultati











Risultati Elementi strutturali - SISMICA GEO

Design Assumption: SISMICA GEO Sollecitazione Tieback

Stage	Forza (kN/m)
Stage 3	357.1
Stage A	371.5493
Stage B	371.6241
Stage 4	576.0579
Stage 5	576.3074
Stage 8	656.1781

Design Assumption: SISMICA GEO Sollecitazione Tieback_New

Stage	Forza (kN/m)
Stage B	178.6
Stage 4	297.0936
Stage 5	297.2078
Stage 8	313.9389