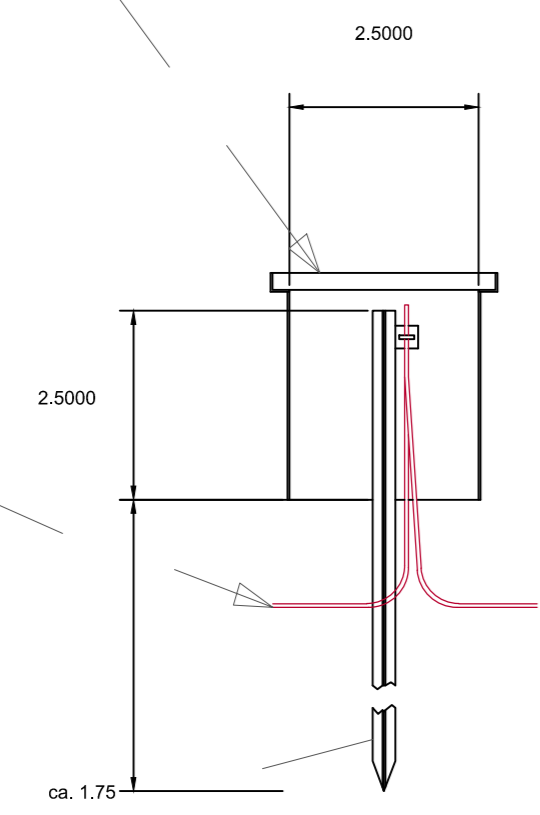


Pazzetto in PVC di dimensioni esterne 300 x 300 x 300 mm, carrabile

Corda di rame nudo sezione 78mm<sup>2</sup>

Picchetto in profilato di acciaio zincato a caldo dallo spessore di 5 mm e dimensioni trasversali di 500 mm



The ERICO TIP-03 inspection shaft has a closable cover and is suitable for an equipotential bonding busbar. The following ground connections can be connected:

1. Connection of ground rods
2. Grounding of the external transformer station
3. Grounding of the stairs
4. Radial extension of the grounding system if the grounding resistance is too high
5. Resurveying of the grounding resistance

**TIPOLOGICI DISP. VERTICALE O IN ALTERNATIVA IN ACC. ZINCATO A CROCE L. 3m**

<p>Hammer inserts for driving in ground rods using vibratory hammers</p>	<p>Ground rods 1.5 m, 20 mm Ø, StZn</p> <p>Typ S</p>
<p>Impact tips</p>	

Bullone M 10 e connettore 50 mm<sup>2</sup>

**Example of Cadweld connection (exothermic welding):**

- Ring grounding electrode on ground rod
- Ring grounding electrode on reinforcing steel
- Ring grounding electrode on galvanized steel strip (30 x 3.5 mm)

**cross connections**

Cross-pieces for above and below ground connections for connection of conductors in crosswise and T-arrangement without intermediate plate for FI and material clamp: StZn, clamp range FI/FI: 30/30 mm

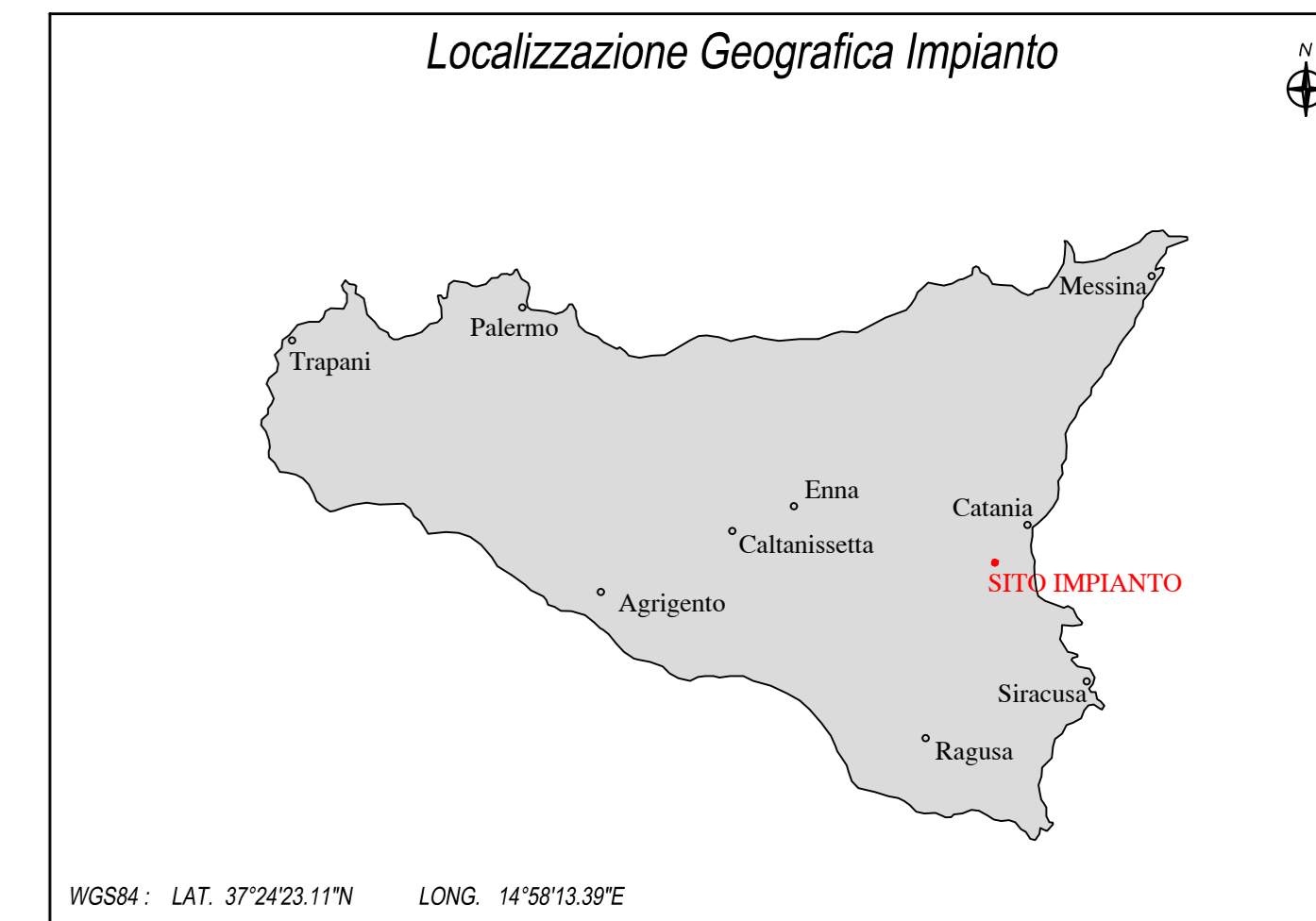
**Connection clamps**

Grounding loop and cross connection cross-pieces for above and below ground connections for connection of conductors in crosswise and T-arrangement with intermediate plate for R2 and FI material clamp: NBO (V4A), clamp range Rd/Rd: 8-10/8-10 mm, clamp range Rd/FI: 8-10/30 mm, clamp range FI/FI: 30/30 mm

**Connection clamps for foundation ground electrodes and reinforcements**

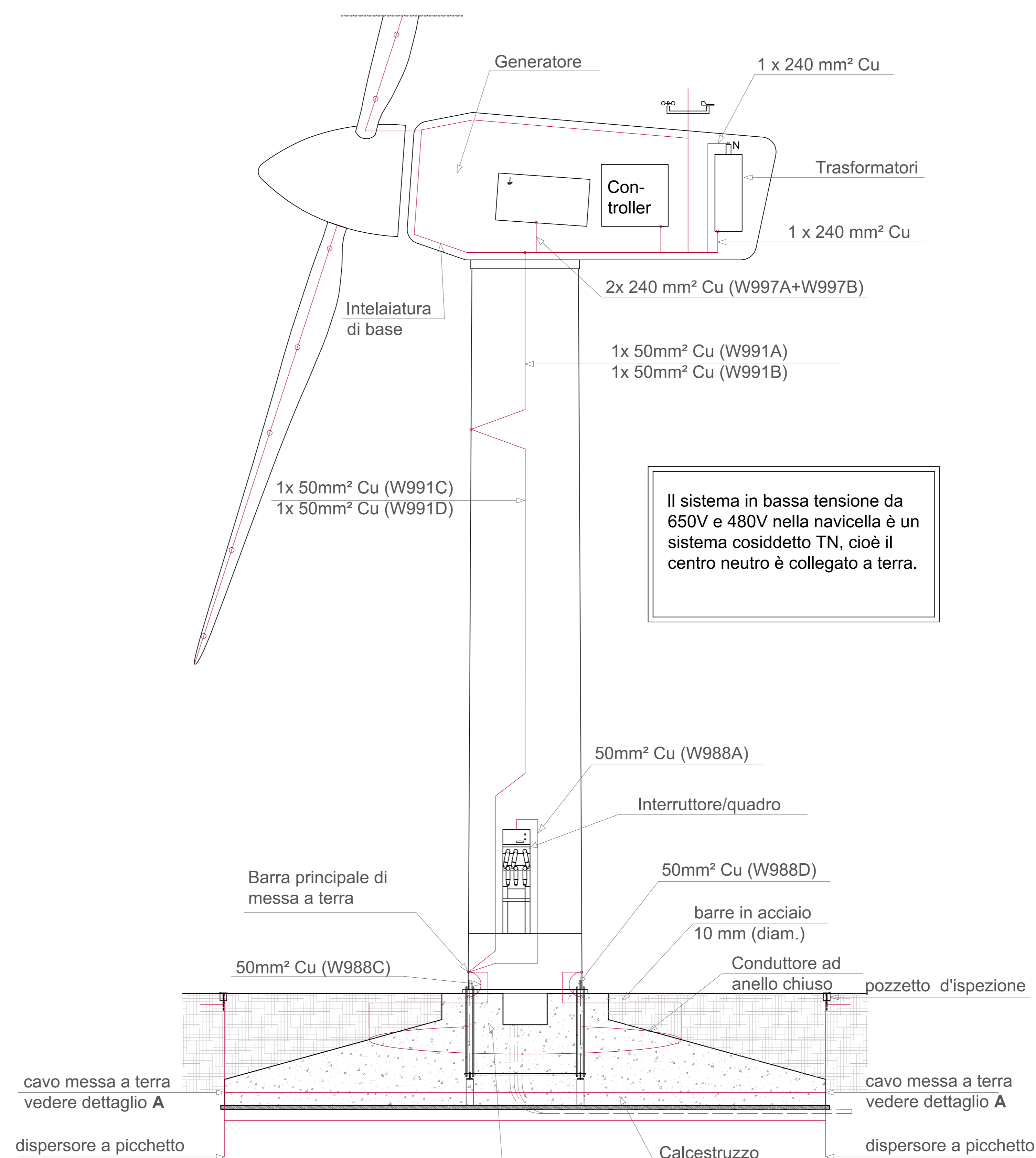
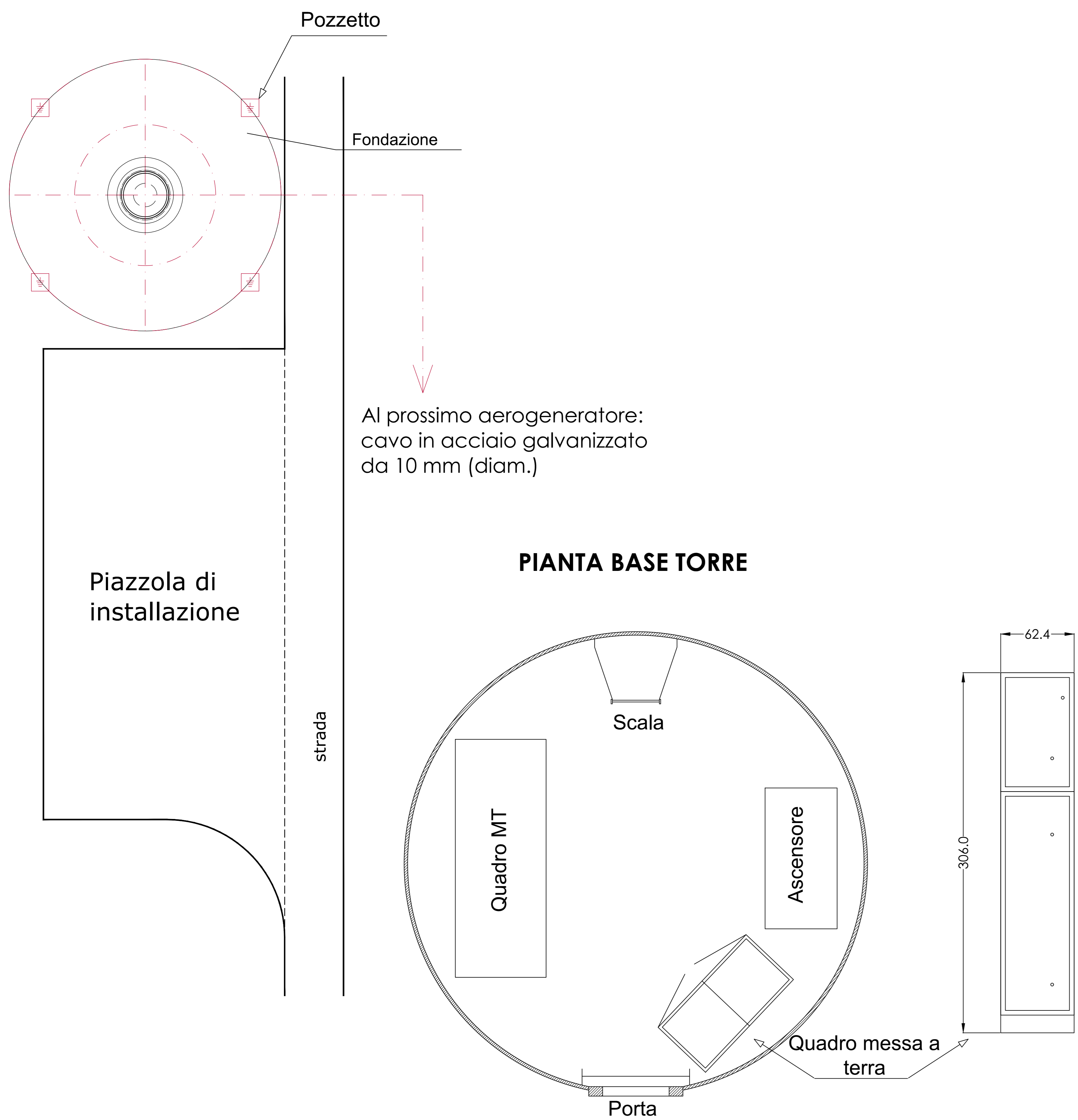
Terminals for connecting round and flat cables in the concrete foundation or concrete reinforcing mats and reinforcements to round and flat cables.

**Clamps for connecting round conductors, cables and flat cables to ground rods**



Pianta dell'impianto messa a terra della fondazione scala 1:200

Impianto messa a terra nella sezione della fondazione scala 1:100



REGIONE SICILIA  
Provincia di Siracusa  
COMUNE DI CARLENTINI

PROGETTO  
**POTENZIAMENTO PARCO EOLICO CARLENTINI**



COMMITTENTE  
**ERG Wind 2000** Una società del Gruppo **ERG**  
**ERG Wind Sicilia 3** Una società del Gruppo **ERG**

SOCIETA' DI PROGETTAZIONE: **UTIP** s.r.l.  
CONSULENZA SPECIALISTICA: **Contex** s.r.l.  
TECNICO PROFESSIONISTA RESPONSABILE DEL SERVIZIO: **ING. GIUSEPPE M. M. M. M.**

OGGETTO DELL'LABORATORIO

**Rete di terra e Fondazione WTG**

DESCRIZIONE	RED.	CONTR.	APPR.	DATA	SCALA	FOGLIO	FORMATO	CODICE DOCUMENTO				
Emiliazione per il sito Carle...	G.P...	A.N...	G.D.M...	Marzo 2019	1/200	1	A0	IMP.	DISC.	TRAC.	PROV.	REV.
NOME FILE: CAR-ENG-TAV-003.RP								CSB	ENG	TAV	0033	00