

FWD

NOTES

1. FOR MATERIAL SPECIFICATION & DETAILS REFER SHEET 2 OF 2
2. THE MAIN DECK DISCH. VALVE TO BE CLOSED & THE VALVE TO THE HOLDING TANK TO BE OPENED AT THE TIME OF HELICOPTER LANDING.
3. FOR GENERAL NOTES REFER SHEET 2 OF 2

SYSTEM	MAX. ALLOWABLE WORKING PRESSURE	TEST PRESSURE	DESIGN TEMPERATURE
ZERO POLLUTION	150 PSI	LEAK TEST	65°C

LEGEND

- BUTTERFLY VALVE (LUGGED TYPE)
- BALL VALVE
- BLIND FLANGE
- FULL COUPLING
- PLUG
- SCRUBBER
- TANK VENT CHECK VALVE W/FLAME SCREEN
- C/O
- NEW PIPE
- EXISTING PIPE

REFERENCE DRAWINGS

TITLE	DRAWING NO.
ZERO POLLUTION - MAIN DECK PIPING SKETCH	09-112-SEN-PI-SK-00
HELIDECK TIE DOWN	09-112-SEN-ST-DD-10

REVISION HISTORY

- REV.1 - ISSUED FOR APPROVAL
- REV.0 - APPROVED FOR CONSTRUCTION

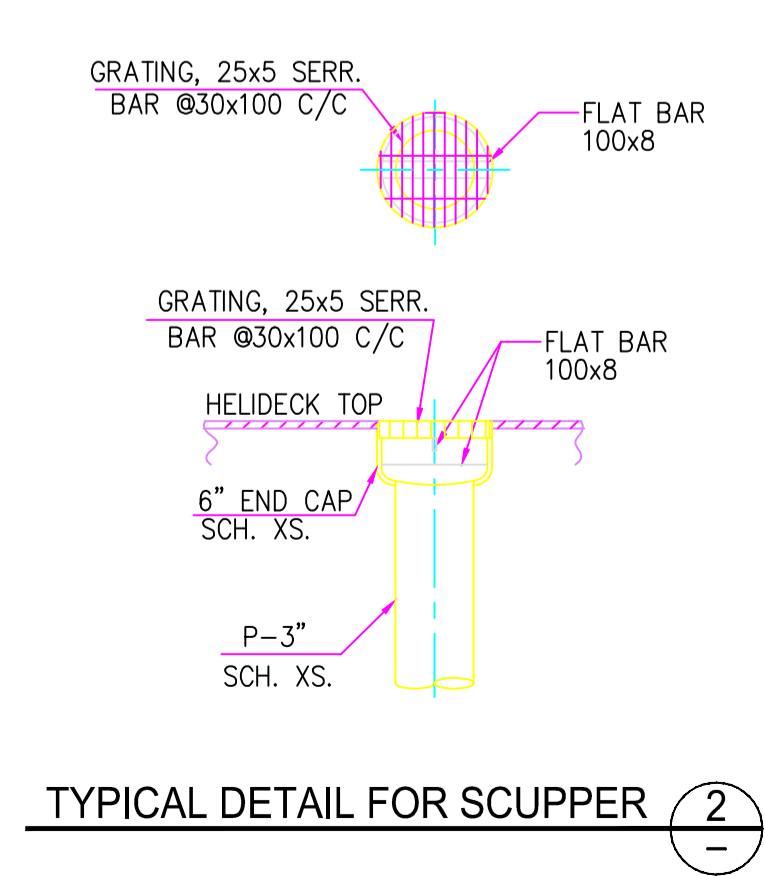
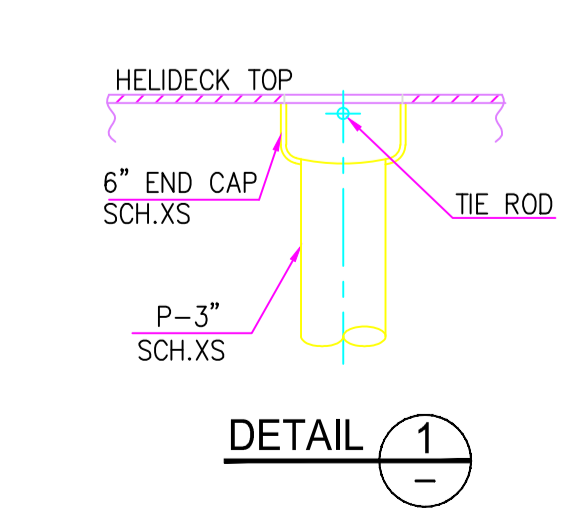
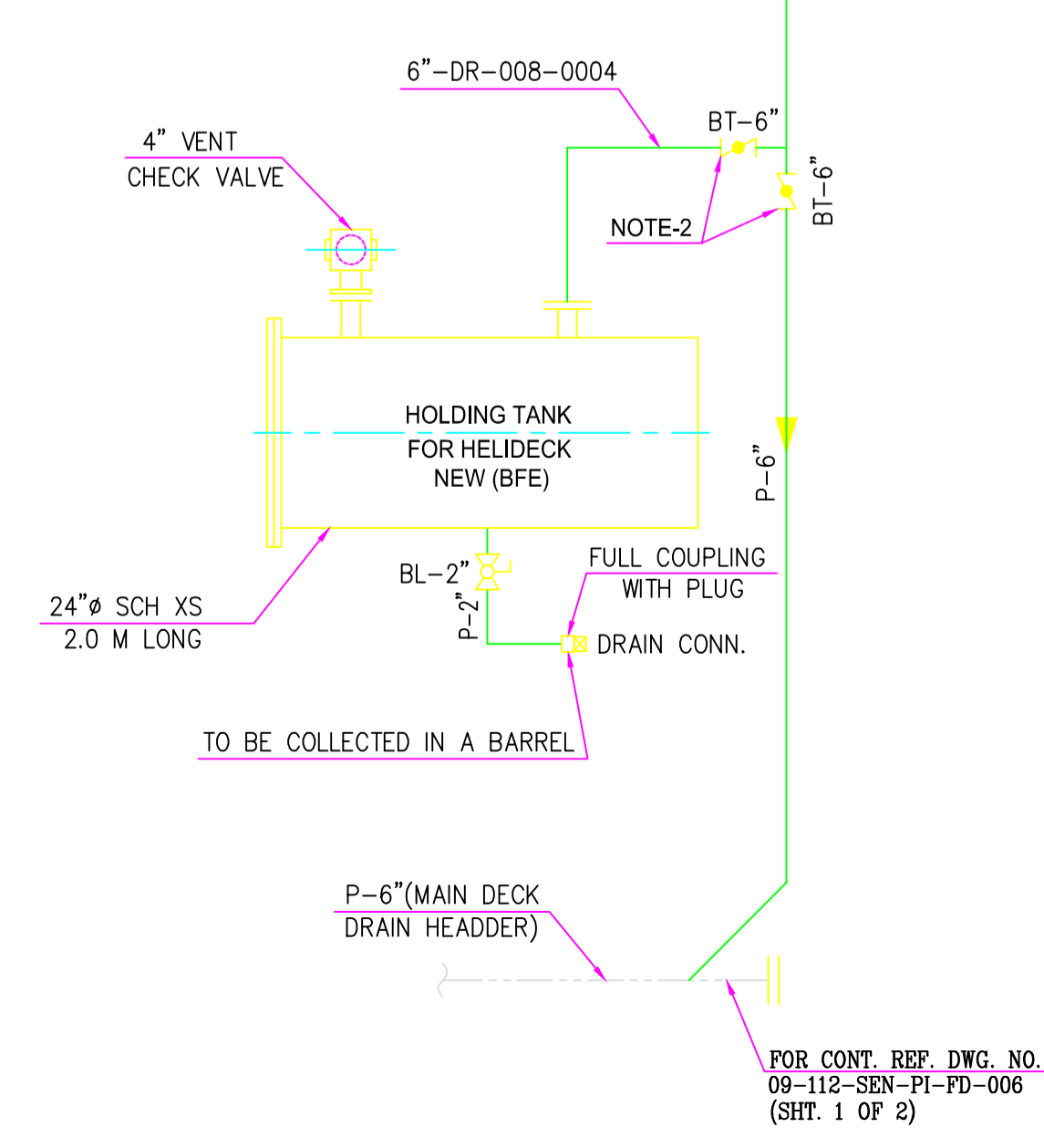
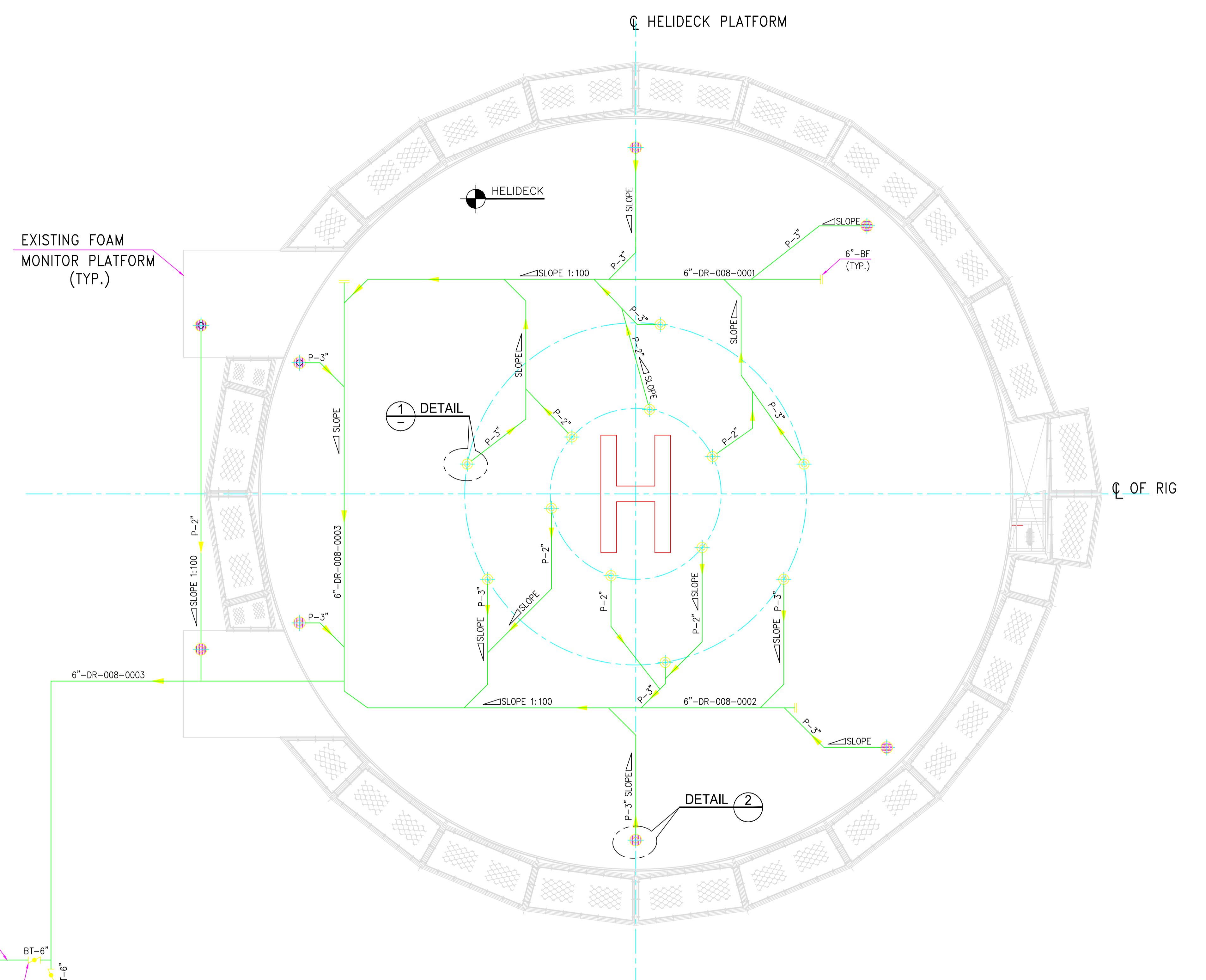
WBS NO. BR -730 / 001

REV	DATE	DESCRIPTION	BY	CHKD.	APP
0	14.10.2009	APPROVED FOR CONSTRUCTION	SPN	PBM	MI
A	02.10.2009	ISSUED FOR APPROVAL	SPN	PBM	MI

CLIENT: **TRANSOCEAN**
 TITLE: **KEY MANHATTAN**
HELIDECK ZERO POLLUTION SYSTEM
FLOW DIAGRAM

Lamprell Energy Ltd.
 C/o P. O. BOX 5427
 Dubai U.A.E.
 Tel: 06-5282323; Fax: 06-5284325

SCALE	HULL No.	RIG CLASS	
NTS	-	-	
COST CODE	DRAWING NUMBER	SHT. No.	RE
-	09-112-SEN-PI-FD-008	1 OF 2	●



FOR CONT. REF. DWG. NO.
 09-112-SEN-PI-FD-006
 (SHT. 1 OF 2)

