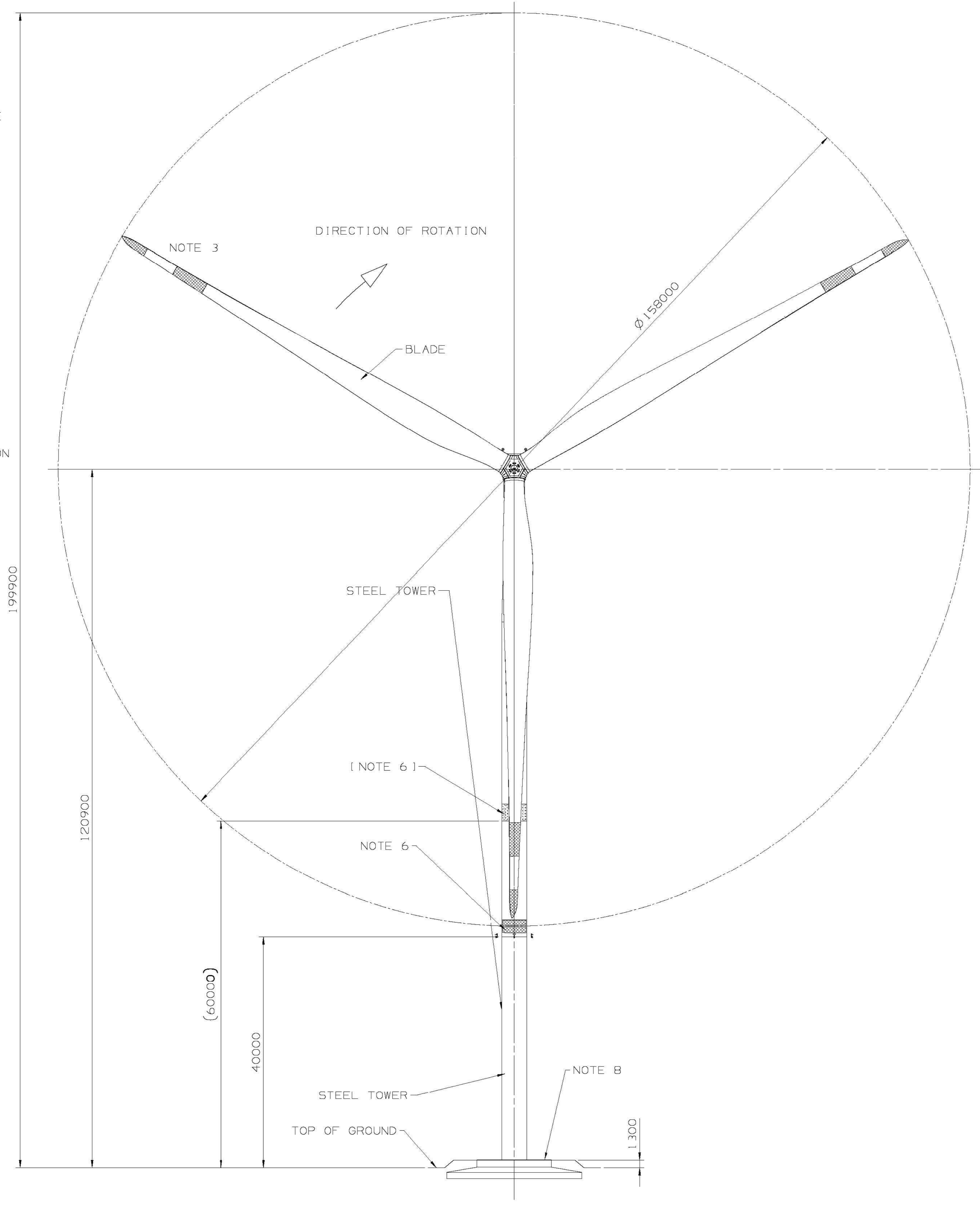


NOTES:

DIMENSIONS AND DISCRPTION IN ( ) ARE OPTIONAL.  
 DIMENSIONS AND DISCRPTION IN [ ] ARE ALTERNATIVE  
 MARKING, WHICH CAN BE USED INSTEAD.

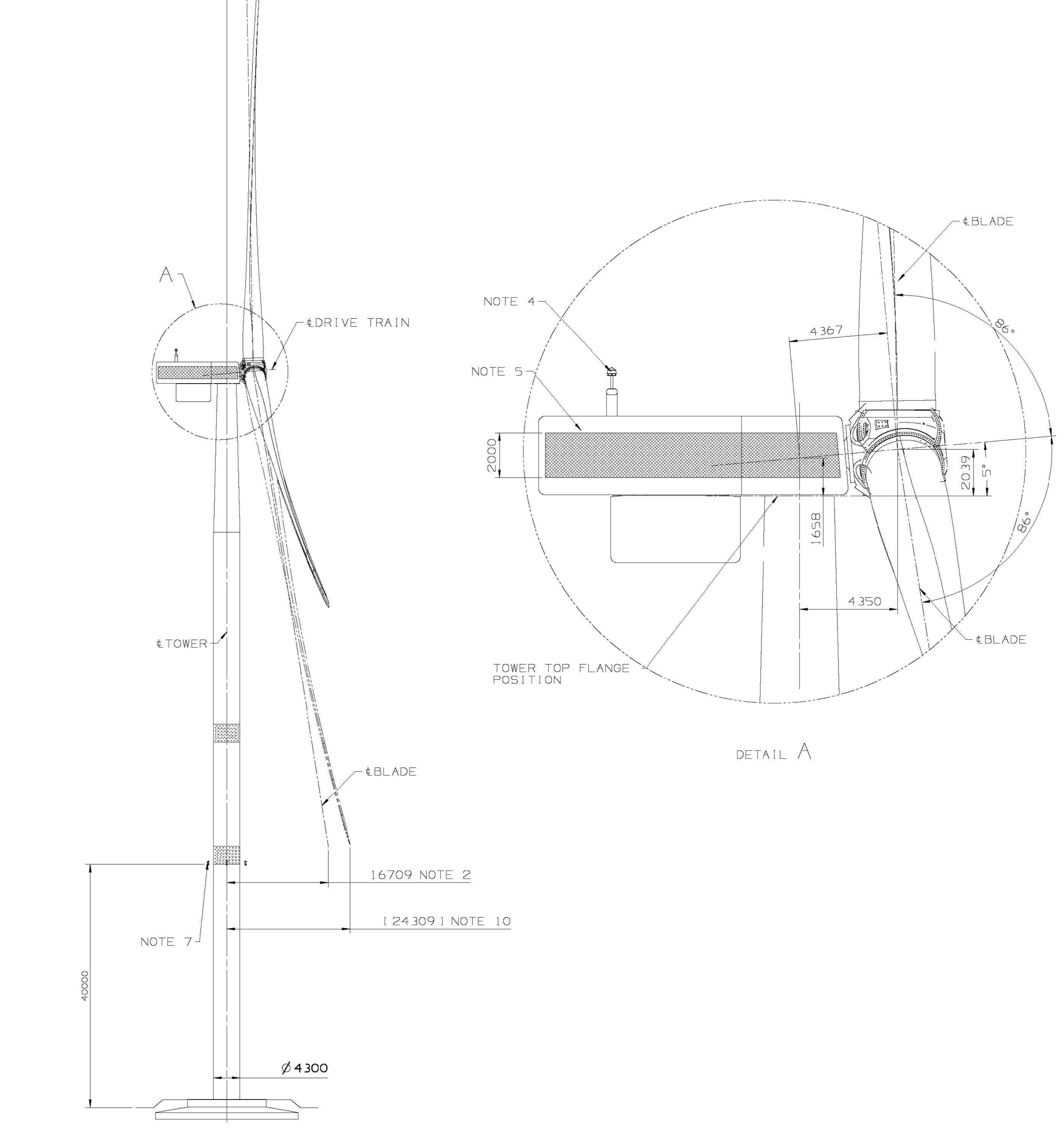
THIS DRAWING SHOWS A STANDARD CONFIGURATION ONLY.  
 COUNTRY AND SITE SPECIFIC REGULATION MAY VARY.

1. ECCENTRICITY EB: DISTANCE BETWEEN TOWER CENTER AND BLADE TIP IN OPERATION.
2. DISTANCE AB: DISTANCE BETWEEN TOWER CENTER AND BLADE TIP IN OPERATION.
3. DAYLIGHT IDENTIFICATION 3x6m ON EACH BLADE  
 RED-LIGHTGREY-RED : RAL 3020, 7035, 3020  
 (ORANGE-WHITE-ORANGE: RAL 2009, 9016, 2009)
4. NIGHT IDENTIFICATION:  
 TWO AVIATION LIGHTS W-RED
5. DAYLIGHT IDENTIFICATION BOTH SIDES OF NACELLE:  
 2m RED : RAL 3020 (2m ORANGE: RAL 2009)
6. DAYLIGHT IDENTIFICATION AT TOWER:  
 3m RED : RAL 3020 (3m ORANGE: RAL 2009)
7. NIGHT IDENTIFICATION:  
 4 AVIATION LIGHTS
8. FOUNDATION SHOWN IS FOR INFORMATION ONLY.
9. ECCENTRICITY ES: DISTANCE BETWEEN TOWER CENTER AND BLADE TIP IN IDLE.
10. DISTANCE AS: DISTANCE BETWEEN TOWER CENTER AND BLADE TIP IN IDLE.
11. DISTANCE FROM TOWER CENTER TO BLADE TIP IN IDLE  
 AREA: 20562.26m<sup>2</sup>
12. DISTANCE FROM TOWER CENTER TO BLADE TIP IN OPERATION  
 AREA: 19910.90m<sup>2</sup>

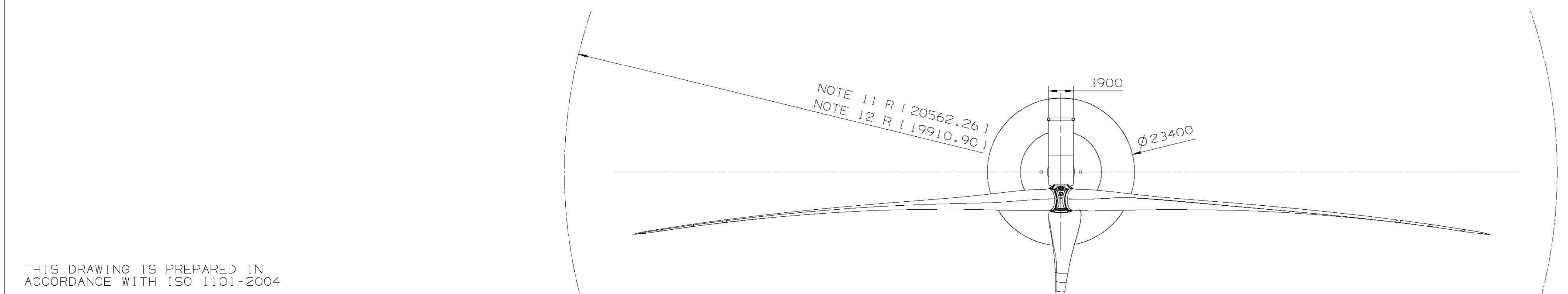


REVISION HISTORY			
REVZONE	DESCRIPTION	DATE (YYYY-MM-DD)	APPROVED
-	(1) THIS DRAWING WAS CREATED PER ECR3040321		

REVISE ON CAD ONLY  
 NX PART: 446W2749



VIEW WITH ROTOR 60° TURNED



THIS DRAWING IS PREPARED IN ACCORDANCE WITH ISO 1101-2004

© COPYRIGHT 2017 General Electric Company(USA).  
 All rights reserved. The information herein is Proprietary and Technically Exclusive content that is solely owned by General Electric Company and/or its affiliates. Thus, it is being provided with the explicit expectation of restricted and privileged use. All persons or legal entities receiving this information shall be deemed by the act of its receipt to have contractually agreed to make no duplications, reproductions of any nature by any means, modifications, disclosures, or use any portion of this material, except as is expressly authorized in writing by General Electric Company and/or its legitimate affiliates.

GE CLASS II (INTERNAL NON-CRITICAL)

GE RENEWABLE ENERGY

TURBINE 120.9MHH, 158M ROTOR STEEL TOWER

DWG NO 446W2749

DWG TYPE	OUTLINE
DRAWN	105043471
DRAWN DATE	17-10-18
CHECK	SEE PLW
FIRST ANGLE PROJECTION	CHECK DATE 17-10-18
ENGRD	SEE PLW
ENGRD DATE	17-10-18
ADDITIONAL APPROVALS	SEE PLW FOR ADDITIONAL INFORMATION
MATERIAL	NA
DWG SOURCE	NK10
SIMILAR TO	44385648
DWG CODE	US/SC, GREENVILLE

SCALE: NONE ACTUAL WT: NA SHEET 1 OF 1

REGIONE MOLISE  
 PROVINCIA DI CAMPOBASSO

Comune:  
 Rotello  
 Località "Crocilla - Mazziccolo - Difesa Grande - Piano Cavato"

PROGETTO DEFINITIVO PER LA REALIZZAZIONE DI UN IMPIANTO DI PRODUZIONE DI ENERGIA ELETTRICA DA FONTE EOLICA E RELATIVE OPERE DI CONNESSIONE

Sezione:  
 SEZIONE 4 - Elaborati progettuali relativi all'aerogeneratori e lavori edili

Titolo elaborato:  
 Particolari costruttivi dell'aerogeneratore: pianta e prospetto

N. Elaborato: 4.1 Scale: -

Committente  
 WIND ENERGY ROTELLO S.r.l.

Progettazione  
 TENPROJECT

Administratore Unico  
 Fabio MARESCA

Progettista  
 Dott. Ing. Nicola FORTE

Rev	Data	Elaborazione	Approvazione	Emissione	DESCRIZIONE
00	14/05/2019	PPP	AP	MF	Progetto definitivo

Nome File sorgente: GE-RTU1.PD.x.t.dwg Nome file stampo: GE-RTU1.PD.x.t.pdf Formato di stampa: A1x1390