



REGIONE PUGLIA



PROVINCIA di FOGGIA



COMUNE di TROIA

e2i energie speciali Srl

Via Dante n°15 - 20121 MILANO



Arch. Antonio Demajo
Via N. delli Carri, 48 - 71121 Foggia (FG)
Tel. 0881.756251 | Fax 1784412324
E-Mail: sit.vega@gmail.com

Arch. Marianna Denora
Via Savona, 3 - 70022 Altamura (BA)
Tel. Fax 080 3147468
E-Mail: info@studioprogettazioneacustica.it

Dott. Forestale Luigi Lupo
Corso Roma, 110 - 71121 Foggia
E-Mail: lulglupo@libero.it

**Studio di Geologia Tecnica & Ambientale
Dott.sa Geol. Giovanna Amedei**
Via Pietro Nenni, 4 - 71012 Rodi Garganico (FG)
Tel./Fax 0884.965793 | Cell. 347.6262259
E-Mail: giovannaamedei@iscall.it

Dott. Agr. Emiddio Ursitti
Tel. 339.5239845
E-Mail: emiddioursitti@libero.it

Dott. Vincenzo Ficco
Tel. 0881.750334
E-Mail: info@archeologicasrl.com

Opera: Impianto Eolico composto da n.10 aerogeneratori da 4,2 MW per una potenza complessiva di 42 MW nel Comune di Troia (FG) alla Località "Montalvino - Cancarro"

Fidat: PROGETTO - Parte B

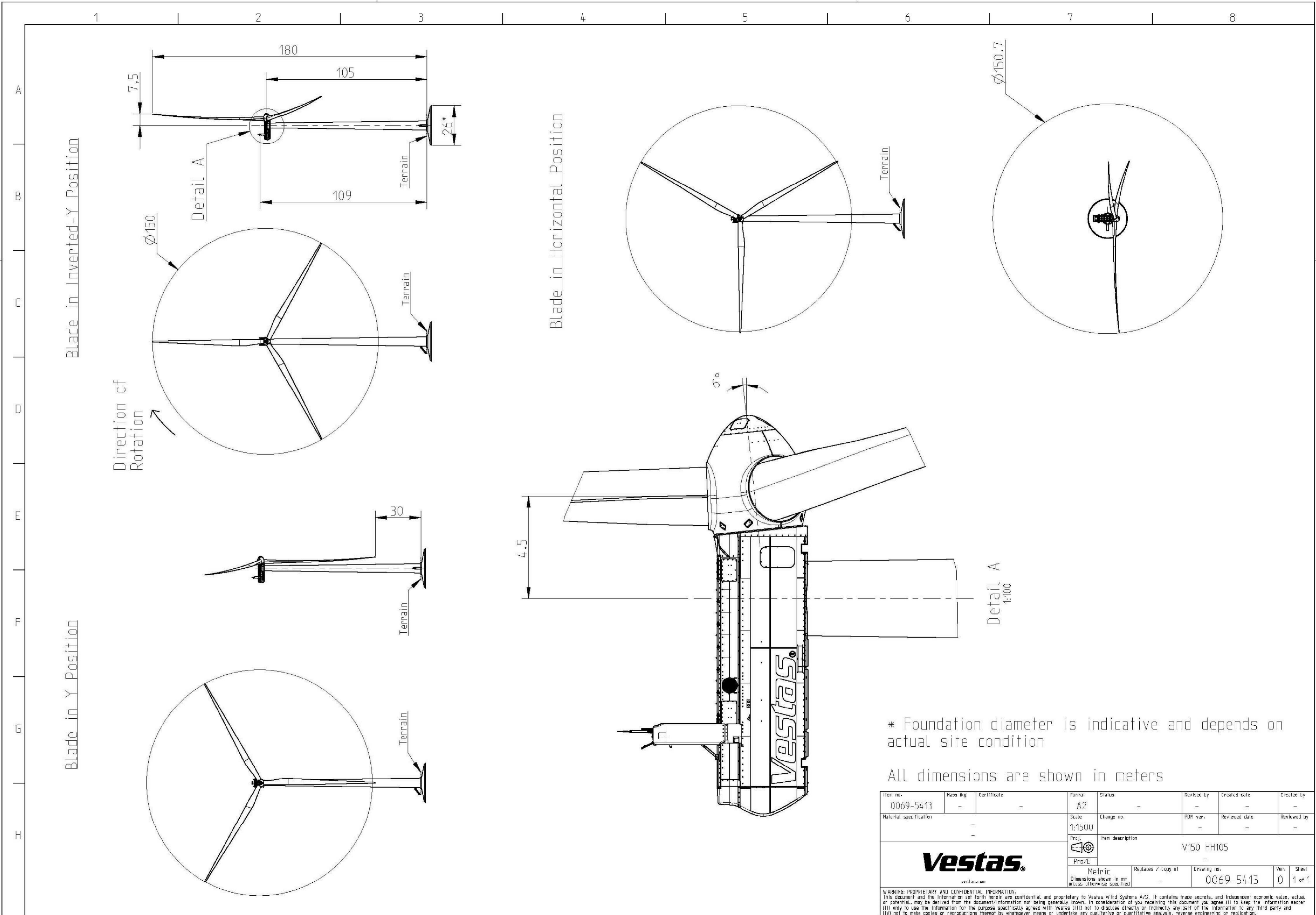
Nome Elaborato: 8HW7PE8_ARCH_TAV_B09

Descrizione Elaborato: Piante e prospetti aerogeneratore

00	Luglio 2019	Emissione per progetto definitivo	Vega	Arch. A. Demajo	e2i Srl
Rev.	Data	Oggetto della revisione	Elaborazione	Verifica	Approvazione

Scala: Fs
Formato: Codice Pratica **8HW7PE8**

RESTRICTED



* Foundation diameter is indicative and depends on actual site condition

All dimensions are shown in meters

Item no.	0069-5413	Mass (kg)	-	Certificate	-	Format	A2	Status	-	Revised by	-	Created date	-	Created by	-
Material specification	-	Scale	1:1500	Change no.	-	Proj.	V150 HH105	Proj. description	-	Revised date	-	Reviewed date	-	Reviewed by	-
Metric		Replaces / Copy of		Drawing no.		Ver.		Sheet							
Dimensions shown in mm unless otherwise specified		-		0069-5413		0		1 of 1							

WARNING: PROPRIETARY AND CONFIDENTIAL INFORMATION. This document and the information set forth herein are confidential and proprietary to Vestas Wind Systems A/S. It contains trade secrets, and independent economic value, actual or potential, may be derived from the document/information not being generally known. In consideration of your receiving this document you agree (i) to keep the information secret (ii) only to use the information for the purpose specifically agreed with Vestas (iii) not to disclose directly or indirectly any part of the information to any third party and (iv) not to make copies or reproductions, in whole or in part, for any purpose (regardless of whether the information is confidential or not).

Original Instruction: T05_0069-5413 VER.00
T05_0069-5413 Ver.00 - Approved- Exported from DMS: 2019-05-20 by MAGRN