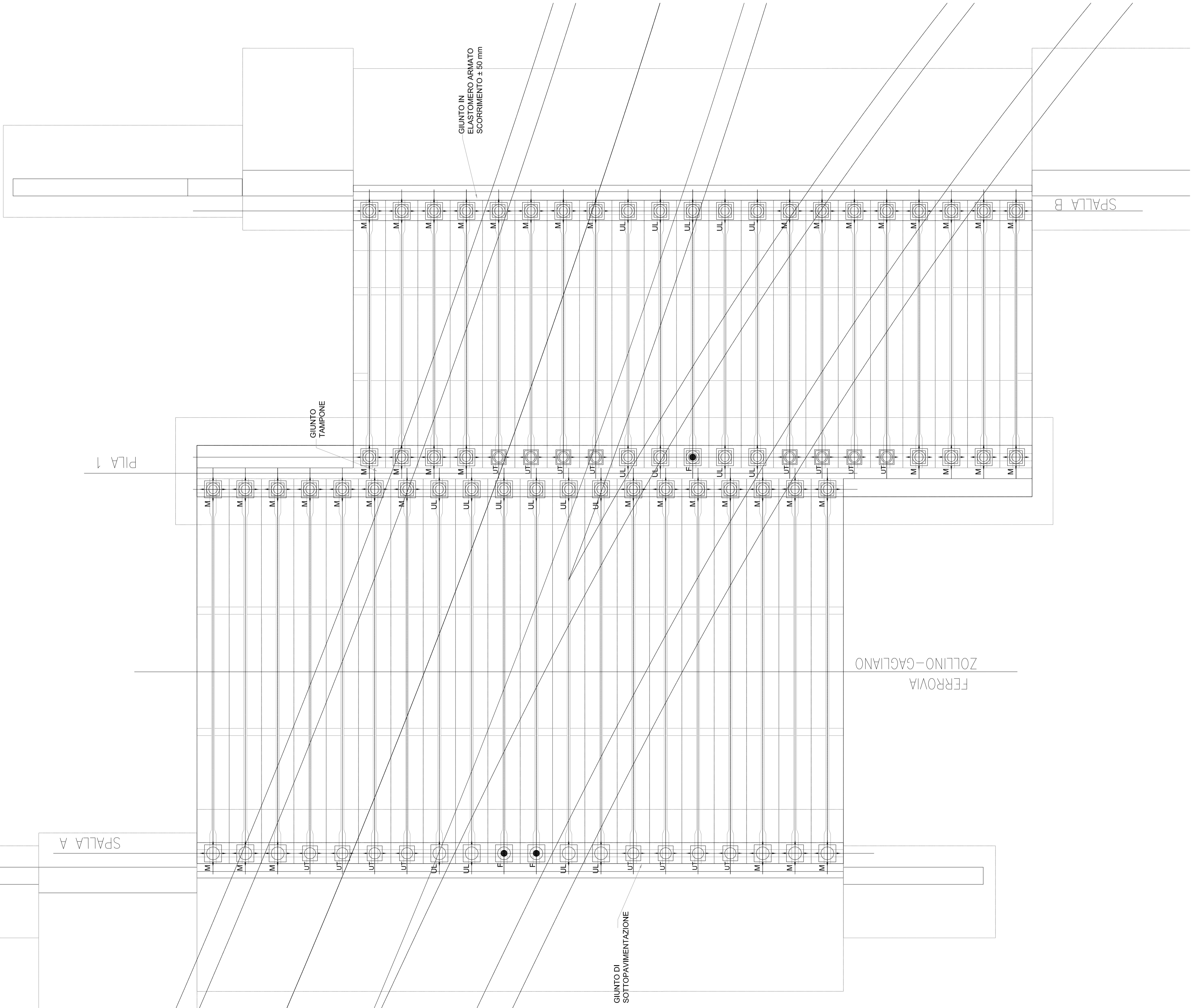


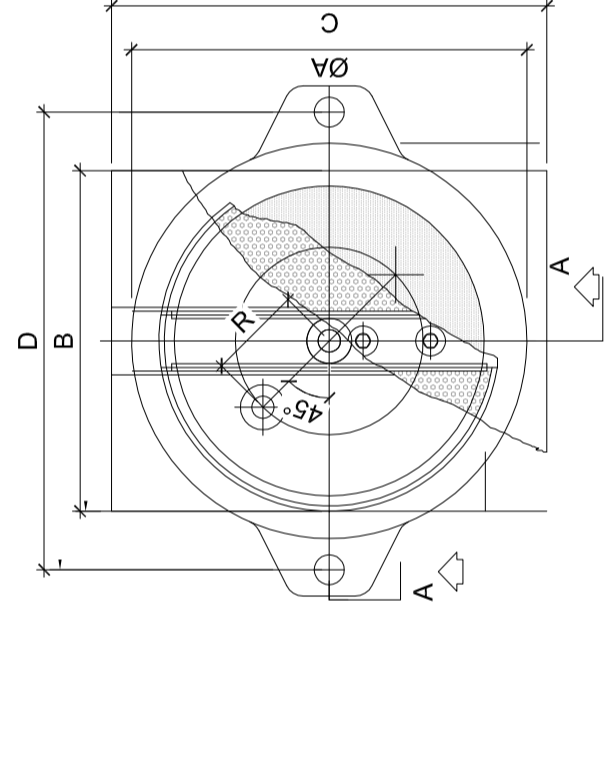
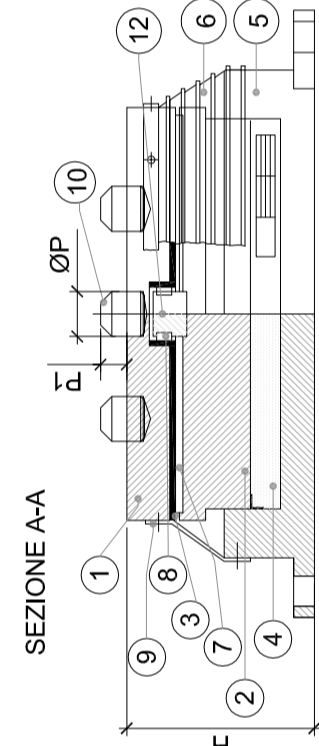
SCHEMA APPARECCHI D'APPOGGIO E GIUNTI

Scala 1:100



APP. UNIDIREZIONALE UL e UT

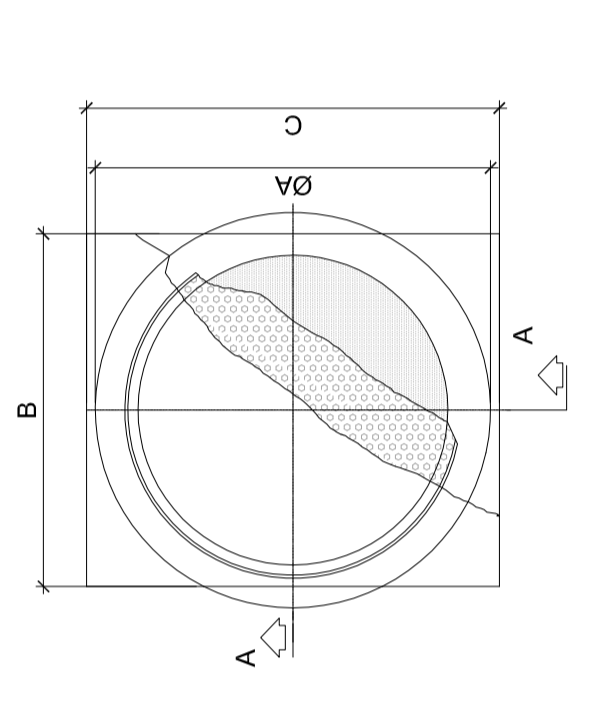
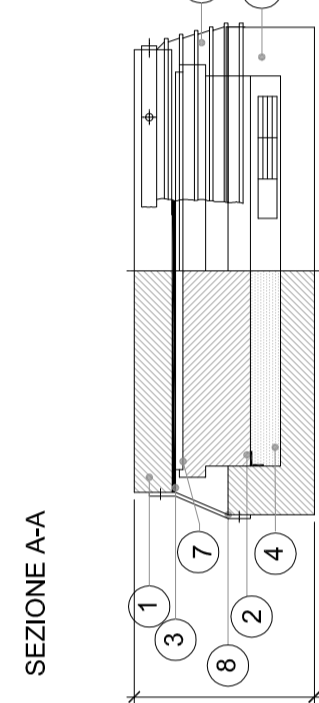
Appoggio in scivolo PTFE in disco tipo mobile unidirezionale longitudinale e trasversale



12	Giunto di scivolo	C. 40	UNI-EN 10025-1	UNI-EN 10025-2	UNI-EN 10025-1/24
11	Tarfilato d'ancoraggio	L400(3KCAK3)	UNI-EN 10025-1/2	UNI-EN 10025-1	UNI-EN 10025-1/24
10	Assemblaggio provvisorio	Fe 380	UNI-EN 10025-2	UNI-EN 10025-1	UNI-EN 10025-1/24
9	Supporto di ancoramento	Fe 380	UNI-EN 10025-2	UNI-EN 10025-1	UNI-EN 10025-1/24
8	Parapolvere	Fe 380	UNI-EN 10025-2	UNI-EN 10025-1	UNI-EN 10025-1/24
7	Forcella	Fe 430/510	UNI-EN 10025-1	UNI-EN 10025-2	UNI-EN 10025-1/24
6	Placca di ancoramento	Fe 430/510	UNI-EN 10025-1	UNI-EN 10025-2	UNI-EN 10025-1/24
5	Forcella	Fe 430/510	UNI-EN 10025-1	UNI-EN 10025-2	UNI-EN 10025-1/24
4	Disco	Fe 430/510	UNI-EN 10025-1	UNI-EN 10025-2	UNI-EN 10025-1/24
3	Placca di ancoramento	Fe 430/510	UNI-EN 10025-1	UNI-EN 10025-2	UNI-EN 10025-1/24
2	Placca di ancoramento	Fe 430/510	UNI-EN 10025-1	UNI-EN 10025-2	UNI-EN 10025-1/24
1	Placca di ancoramento	Fe 430/510	UNI-EN 10025-1	UNI-EN 10025-2	UNI-EN 10025-1/24

APP. MULTIDIREZIONALE M

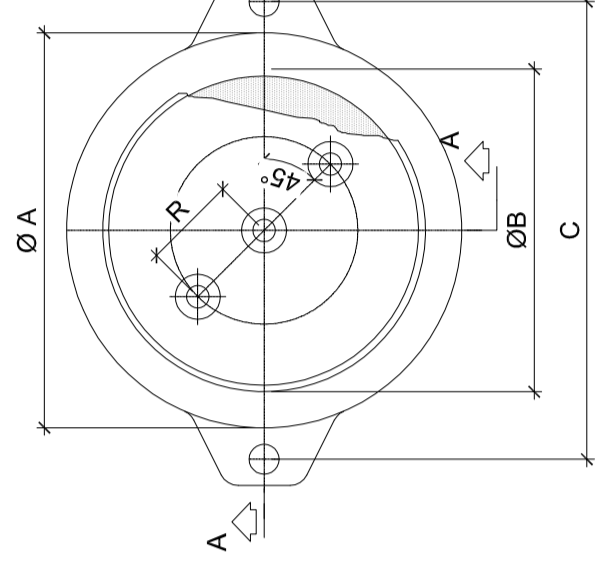
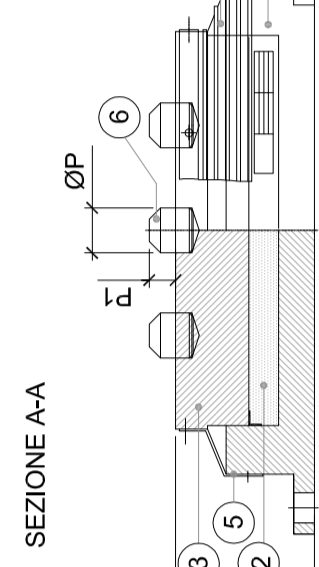
Appoggio in scivolo PTFE in disco multirezionale



8	Assemblaggio provvisorio	Fe 380	UNI-EN 10025-2	UNI-EN 10025-1	UNI-EN 10025-1/24
7 <td>Supporto di ancoramento <td>Fe 380 <td>UNI-EN 10025-2 <td>UNI-EN 10025-1 <td>UNI-EN 10025-1/24 </td></td></td></td></td>	Supporto di ancoramento <td>Fe 380 <td>UNI-EN 10025-2 <td>UNI-EN 10025-1 <td>UNI-EN 10025-1/24 </td></td></td></td>	Fe 380 <td>UNI-EN 10025-2 <td>UNI-EN 10025-1 <td>UNI-EN 10025-1/24 </td></td></td>	UNI-EN 10025-2 <td>UNI-EN 10025-1 <td>UNI-EN 10025-1/24 </td></td>	UNI-EN 10025-1 <td>UNI-EN 10025-1/24 </td>	UNI-EN 10025-1/24
6 <td>Parapolvere <td>Fe 380 <td>UNI-EN 10025-2 <td>UNI-EN 10025-1 <td>UNI-EN 10025-1/24 </td></td></td></td></td>	Parapolvere <td>Fe 380 <td>UNI-EN 10025-2 <td>UNI-EN 10025-1 <td>UNI-EN 10025-1/24 </td></td></td></td>	Fe 380 <td>UNI-EN 10025-2 <td>UNI-EN 10025-1 <td>UNI-EN 10025-1/24 </td></td></td>	UNI-EN 10025-2 <td>UNI-EN 10025-1 <td>UNI-EN 10025-1/24 </td></td>	UNI-EN 10025-1 <td>UNI-EN 10025-1/24 </td>	UNI-EN 10025-1/24
5 <td>Forcella <td>Fe 430/510 <td>UNI-EN 10025-1 <td>UNI-EN 10025-2 <td>UNI-EN 10025-1/24 </td></td></td></td></td>	Forcella <td>Fe 430/510 <td>UNI-EN 10025-1 <td>UNI-EN 10025-2 <td>UNI-EN 10025-1/24 </td></td></td></td>	Fe 430/510 <td>UNI-EN 10025-1 <td>UNI-EN 10025-2 <td>UNI-EN 10025-1/24 </td></td></td>	UNI-EN 10025-1 <td>UNI-EN 10025-2 <td>UNI-EN 10025-1/24 </td></td>	UNI-EN 10025-2 <td>UNI-EN 10025-1/24 </td>	UNI-EN 10025-1/24
4 <td>Disco <td>Fe 430/510 <td>UNI-EN 10025-1 <td>UNI-EN 10025-2 <td>UNI-EN 10025-1/24 </td></td></td></td></td>	Disco <td>Fe 430/510 <td>UNI-EN 10025-1 <td>UNI-EN 10025-2 <td>UNI-EN 10025-1/24 </td></td></td></td>	Fe 430/510 <td>UNI-EN 10025-1 <td>UNI-EN 10025-2 <td>UNI-EN 10025-1/24 </td></td></td>	UNI-EN 10025-1 <td>UNI-EN 10025-2 <td>UNI-EN 10025-1/24 </td></td>	UNI-EN 10025-2 <td>UNI-EN 10025-1/24 </td>	UNI-EN 10025-1/24
3 <td>Placca di ancoramento <td>Fe 430/510 <td>UNI-EN 10025-1 <td>UNI-EN 10025-2 <td>UNI-EN 10025-1/24 </td></td></td></td></td>	Placca di ancoramento <td>Fe 430/510 <td>UNI-EN 10025-1 <td>UNI-EN 10025-2 <td>UNI-EN 10025-1/24 </td></td></td></td>	Fe 430/510 <td>UNI-EN 10025-1 <td>UNI-EN 10025-2 <td>UNI-EN 10025-1/24 </td></td></td>	UNI-EN 10025-1 <td>UNI-EN 10025-2 <td>UNI-EN 10025-1/24 </td></td>	UNI-EN 10025-2 <td>UNI-EN 10025-1/24 </td>	UNI-EN 10025-1/24
2 <td>Placca di ancoramento <td>Fe 430/510 <td>UNI-EN 10025-1 <td>UNI-EN 10025-2 <td>UNI-EN 10025-1/24 </td></td></td></td></td>	Placca di ancoramento <td>Fe 430/510 <td>UNI-EN 10025-1 <td>UNI-EN 10025-2 <td>UNI-EN 10025-1/24 </td></td></td></td>	Fe 430/510 <td>UNI-EN 10025-1 <td>UNI-EN 10025-2 <td>UNI-EN 10025-1/24 </td></td></td>	UNI-EN 10025-1 <td>UNI-EN 10025-2 <td>UNI-EN 10025-1/24 </td></td>	UNI-EN 10025-2 <td>UNI-EN 10025-1/24 </td>	UNI-EN 10025-1/24
1 <td>Placca di ancoramento <td>Fe 430/510 <td>UNI-EN 10025-1 <td>UNI-EN 10025-2 <td>UNI-EN 10025-1/24 </td></td></td></td></td>	Placca di ancoramento <td>Fe 430/510 <td>UNI-EN 10025-1 <td>UNI-EN 10025-2 <td>UNI-EN 10025-1/24 </td></td></td></td>	Fe 430/510 <td>UNI-EN 10025-1 <td>UNI-EN 10025-2 <td>UNI-EN 10025-1/24 </td></td></td>	UNI-EN 10025-1 <td>UNI-EN 10025-2 <td>UNI-EN 10025-1/24 </td></td>	UNI-EN 10025-2 <td>UNI-EN 10025-1/24 </td>	UNI-EN 10025-1/24

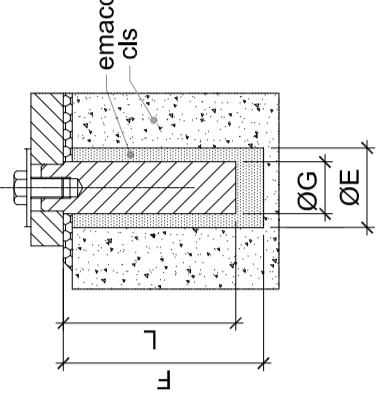
APP. FISSO F

Appoggio in scivolo PTFE in tipo fisso



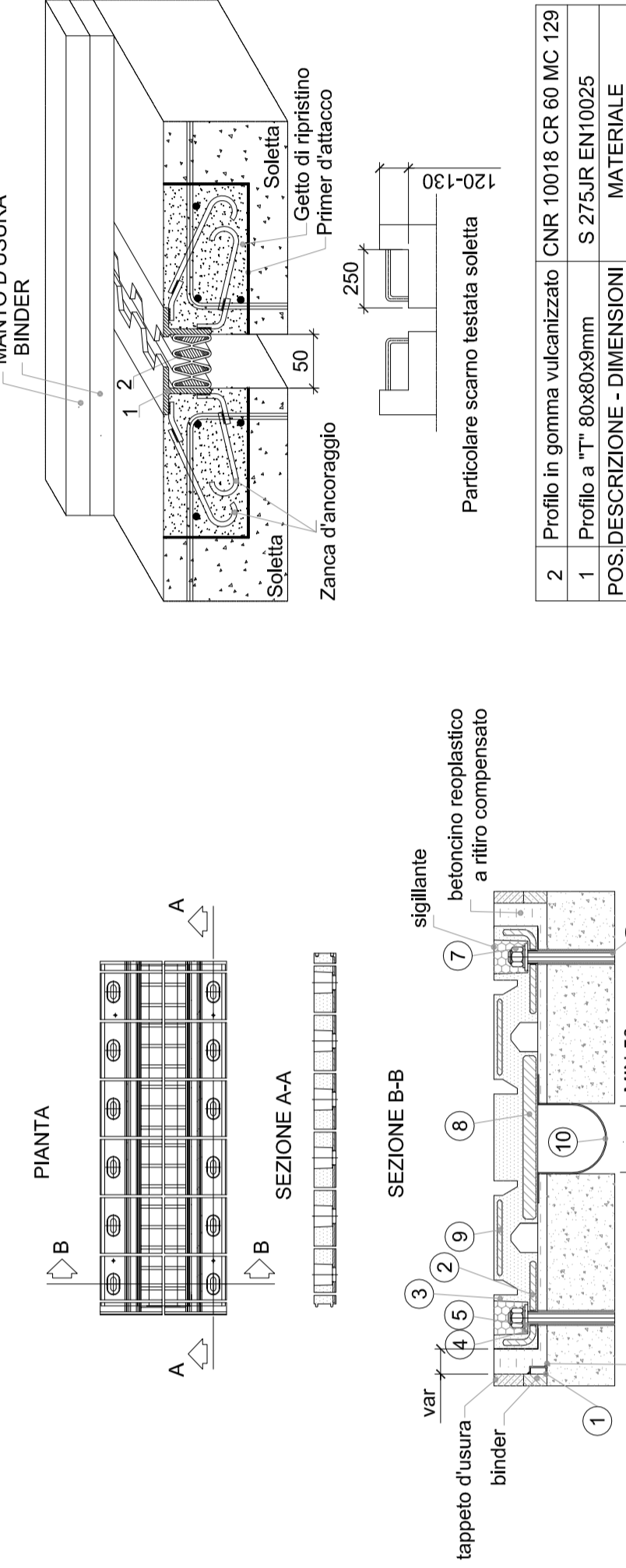
7	Tarfilato d'ancoraggio	C.40	UNI-EN 10025-1/2	UNI-EN 10025-1	UNI-EN 10025-1/24
6 <td>Assemblaggio provvisorio <td>Fe 380</td> <td>UNI-EN 10025-2</td> <td>UNI-EN 10025-1</td> <td>UNI-EN 10025-1/24</td> </td>	Assemblaggio provvisorio <td>Fe 380</td> <td>UNI-EN 10025-2</td> <td>UNI-EN 10025-1</td> <td>UNI-EN 10025-1/24</td>	Fe 380	UNI-EN 10025-2	UNI-EN 10025-1	UNI-EN 10025-1/24
5 <td>Supporto di ancoramento <td>Fe 380</td> <td>UNI-EN 10025-2</td> <td>UNI-EN 10025-1</td> <td>UNI-EN 10025-1/24</td> </td>	Supporto di ancoramento <td>Fe 380</td> <td>UNI-EN 10025-2</td> <td>UNI-EN 10025-1</td> <td>UNI-EN 10025-1/24</td>	Fe 380	UNI-EN 10025-2	UNI-EN 10025-1	UNI-EN 10025-1/24
4 <td>Parapolvere <td>Fe 380</td> <td>UNI-EN 10025-2</td> <td>UNI-EN 10025-1</td> <td>UNI-EN 10025-1/24</td> </td>	Parapolvere <td>Fe 380</td> <td>UNI-EN 10025-2</td> <td>UNI-EN 10025-1</td> <td>UNI-EN 10025-1/24</td>	Fe 380	UNI-EN 10025-2	UNI-EN 10025-1	UNI-EN 10025-1/24
3 <td>Forcella <td>Fe 430/510</td> <td>UNI-EN 10025-1</td> <td>UNI-EN 10025-2</td> <td>UNI-EN 10025-1/24</td> </td>	Forcella <td>Fe 430/510</td> <td>UNI-EN 10025-1</td> <td>UNI-EN 10025-2</td> <td>UNI-EN 10025-1/24</td>	Fe 430/510	UNI-EN 10025-1	UNI-EN 10025-2	UNI-EN 10025-1/24
2 <td>Disco <td>Fe 430/510</td> <td>UNI-EN 10025-1</td> <td>UNI-EN 10025-2</td> <td>UNI-EN 10025-1/24</td> </td>	Disco <td>Fe 430/510</td> <td>UNI-EN 10025-1</td> <td>UNI-EN 10025-2</td> <td>UNI-EN 10025-1/24</td>	Fe 430/510	UNI-EN 10025-1	UNI-EN 10025-2	UNI-EN 10025-1/24
1 <td>Placca di ancoramento <td>Fe 430/510</td> <td>UNI-EN 10025-1</td> <td>UNI-EN 10025-2</td> <td>UNI-EN 10025-1/24</td> </td>	Placca di ancoramento <td>Fe 430/510</td> <td>UNI-EN 10025-1</td> <td>UNI-EN 10025-2</td> <td>UNI-EN 10025-1/24</td>	Fe 430/510	UNI-EN 10025-1	UNI-EN 10025-2	UNI-EN 10025-1/24

PARTICOLARE ANCORAGGIO



GIUNTO DI SOTTOPAVIMENTAZIONE (GIUNTO SPALLA A)

GIUNTO - SPALLA B



DEPOSITIVI DI GIUNTO	
M	SIMBOLICA SLD
L1	L2
mm	mm
±10	

AZIONI SUGLI APPARECCHI D'APPOGGIO					
Id	Tipo	In	M _{stat} max	M _{stat} min	M _{stat} SIV
1	ZAV	1/1	100	0	100
2	UL	1/1	100	0	100
3	UL	1/1	110	0	110
4	UL	1/1	140	0	140
5	UL	1/1	160	0	160
6	UL	1/1	180	0	180
7	UL	1/1	200	0	200
8	UL	1/1	220	0	220
9	UL	1/1	240	0	240
10	UL	1/1	260	0	260
11	UL	1/1	280	0	280
12	UL	1/1	300	0	300
13	UL	1/1	320	0	320
14	UL	1/1	340	0	340
15	UL	1/1	360	0	360

LEGENDA SIMBOLI

- UL = DISPOSITIVO DI VINCOLO UNIDIREZIONALE LONGITUDINALE
- UT = DISPOSITIVO DI VINCOLO UNIDIREZIONALE TRASVERSALE
- M = DISPOSITIVO DI VINCOLO MULTIDIREZIONALE
- F = DISPOSITIVO DI VINCOLO FISSO

IN TUTTI I CASI IL PRODOTTORE È RESPONSABILE DELLA VERIFICA DELLA QUALITÀ DEI MATERIALI E DEI COMPONENTI E DELL'ADDEBITAMENTO DEI MATERIALI.



Direzione Progettazione e Realizzazione Lavori

CORRIDOIO PLURIMODALE ADRIATICO
ITINERARIO MAGIE - SANTA MARIA DI LEUCA
S.S. N° 275 "D.L.S. MARIA DI LEUCA"
LAVORI DI AMMODERNAMENTO E ADEGUAMENTO ALLA SEZ. B DEL D.M. 5.11.2001
S.S. 86 dal km 98+200 al km 98+286 - S.S. 275 dal km 0+000 al km 2+000
1° Lotto: Dal km 0+000 di prog. al km 23+300 di prog.

PROGETTO DEFINITIVO

COB: BA283

PROGETTAZIONE: ANAS - COORDINAMENTO: UNIVERSITÀ AGRARIA

PROGETTO: ANAS - COORDINAMENTO: UNIVERSITÀ AGRARIA

PROGETTO: ANAS - COORDINAMENTO: UNIVERSITÀ AGRARIA

PROGETTO: ANAS - COORDINAMENTO: UNIVERSITÀ AGRARIA

PROGETTO: ANAS - COORDINAMENTO: UNIVERSITÀ AGRARIA

PROGETTO: ANAS - COORDINAMENTO: UNIVERSITÀ AGRARIA

PROGETTO: ANAS - COORDINAMENTO: UNIVERSITÀ AGRARIA

PROGETTO: ANAS - COORDINAMENTO: UNIVERSITÀ AGRARIA

PROGETTO: ANAS - COORDINAMENTO: UNIVERSITÀ AGRARIA

PROGETTO: ANAS - COORDINAMENTO: UNIVERSITÀ AGRARIA

PROGETTO: ANAS - COORDINAMENTO: UNIVERSITÀ AGRARIA

PROGETTO: ANAS - COORDINAMENTO: UNIVERSITÀ AGRARIA

PROGETTO: ANAS - COORDINAMENTO: UNIVERSITÀ AGRARIA

PROGETTO: ANAS - COORDINAMENTO: UNIVERSITÀ AGRARIA

PROGETTO: ANAS - COORDINAMENTO: UNIVERSITÀ AGRARIA

PROGETTO: ANAS - COORDINAMENTO: UNIVERSITÀ AGRARIA

PROGETTO: ANAS - COORDINAMENTO: UNIVERSITÀ AGRARIA

PROGETTO: ANAS - COORDINAMENTO: UNIVERSITÀ AGRARIA

PROGETTO: ANAS - COORDINAMENTO: UNIVERSITÀ AGRARIA

PROGETTO: ANAS - COORDINAMENTO: UNIVERSITÀ AGRARIA

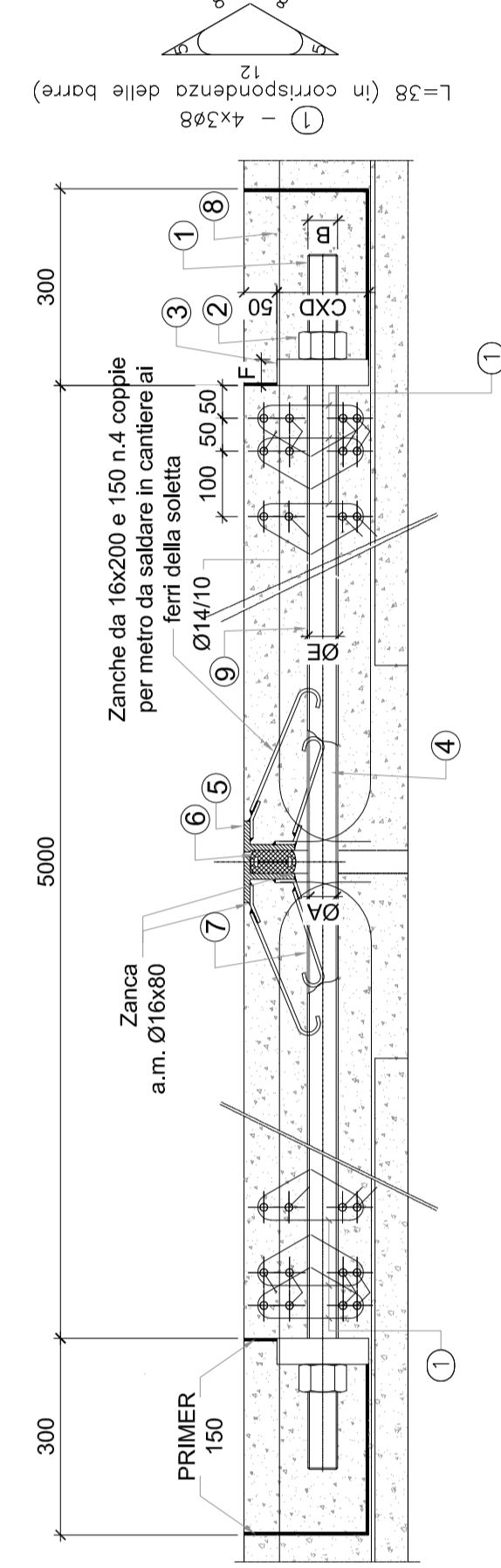
PROGETTO: ANAS - COORDINAMENTO: UNIVERSITÀ AGRARIA

PROGETTO: ANAS - COORDINAMENTO: UNIVERSITÀ AGRARIA

PROGETTO: ANAS - COORDINAMENTO: UNIVERSITÀ AGRARIA

PROGETTO: ANAS - COORDINAMENTO: UNIVERSITÀ AGRARIA

BARRA DI COLLEGAMENTO DEGLI IMPALCATI



9	Giunto di ancoramento	Fe 380	UNI-EN 10025-2	UNI-EN 10025-1	UNI-EN 10025-1/24
8 <td>Assemblaggio provvisorio</td> <td>Fe 380</td> <td>UNI-EN 10025-2</td> <td>UNI-EN 10025-1</td> <td>UNI-EN 10025-1/24</td>	Assemblaggio provvisorio	Fe 380	UNI-EN 10025-2	UNI-EN 10025-1	UNI-EN 10025-1/24
7 <td>Supporto di ancoramento</td> <td>Fe 380</td> <td>UNI-EN 10025-2</td> <td>UNI-EN 10025-1</td> <td>UNI-EN 10025-1/24</td>	Supporto di ancoramento	Fe 380	UNI-EN 10025-2	UNI-EN 10025-1	UNI-EN 10025-1/24
6 <td>Parapolvere</td> <td>Fe 380</td> <td>UNI-EN 10025-2</td> <td>UNI-EN 10025-1</td> <td>UNI-EN 10025-1/24</td>	Parapolvere	Fe 380	UNI-EN 10025-2	UNI-EN 10025-1	UNI-EN 10025-1/24
5 <td>Forcella</td> <td>Fe 430/510</td> <td>UNI-EN 10025-1</td> <td>UNI-EN 10025-2</td> <td>UNI-EN 10025-1/24</td>	Forcella	Fe 430/510	UNI-EN 10025-1	UNI-EN 10025-2	UNI-EN 10025-1/24
4 <td>Disco</td> <td>Fe 430/510</td> <td>UNI-EN 10025-1</td> <td>UNI-EN 10025-2</td> <td>UNI-EN 10025-1/24</td>	Disco	Fe 430/510	UNI-EN 10025-1	UNI-EN 10025-2	UNI-EN 10025-1/24
3 <td>Placca di ancoramento</td> <td>Fe 430/510</td> <td>UNI-EN 10025-1</td> <td>UNI-EN 10025-2</td> <td>UNI-EN 10025-1/24</td>	Placca di ancoramento	Fe 430/510	UNI-EN 10025-1	UNI-EN 10025-2	UNI-EN 10025-1/24
2 <td>Placca di ancoramento</td> <td>Fe 430/510</td> <td>UNI-EN 10025-1</td> <td>UNI-EN 10025-2</td> <td>UNI-EN 10025-1/24</td>	Placca di ancoramento	Fe 430/510	UNI-EN 10025-1	UNI-EN 10025-2	UNI-EN 10025-1/24
1 <td>Placca di ancoramento</td> <td>Fe 430/510</td> <td>UNI-EN 10025-1</td> <td>UNI-EN 10025-2</td> <td>UNI-EN 10025-1/24</td>	Placca di ancoramento	Fe 430/510	UNI-EN 10025-1	UNI-EN 10025-2	UNI-EN 10025-1/24

SEZIONE LONGITUDINALE

Scala 1:100

