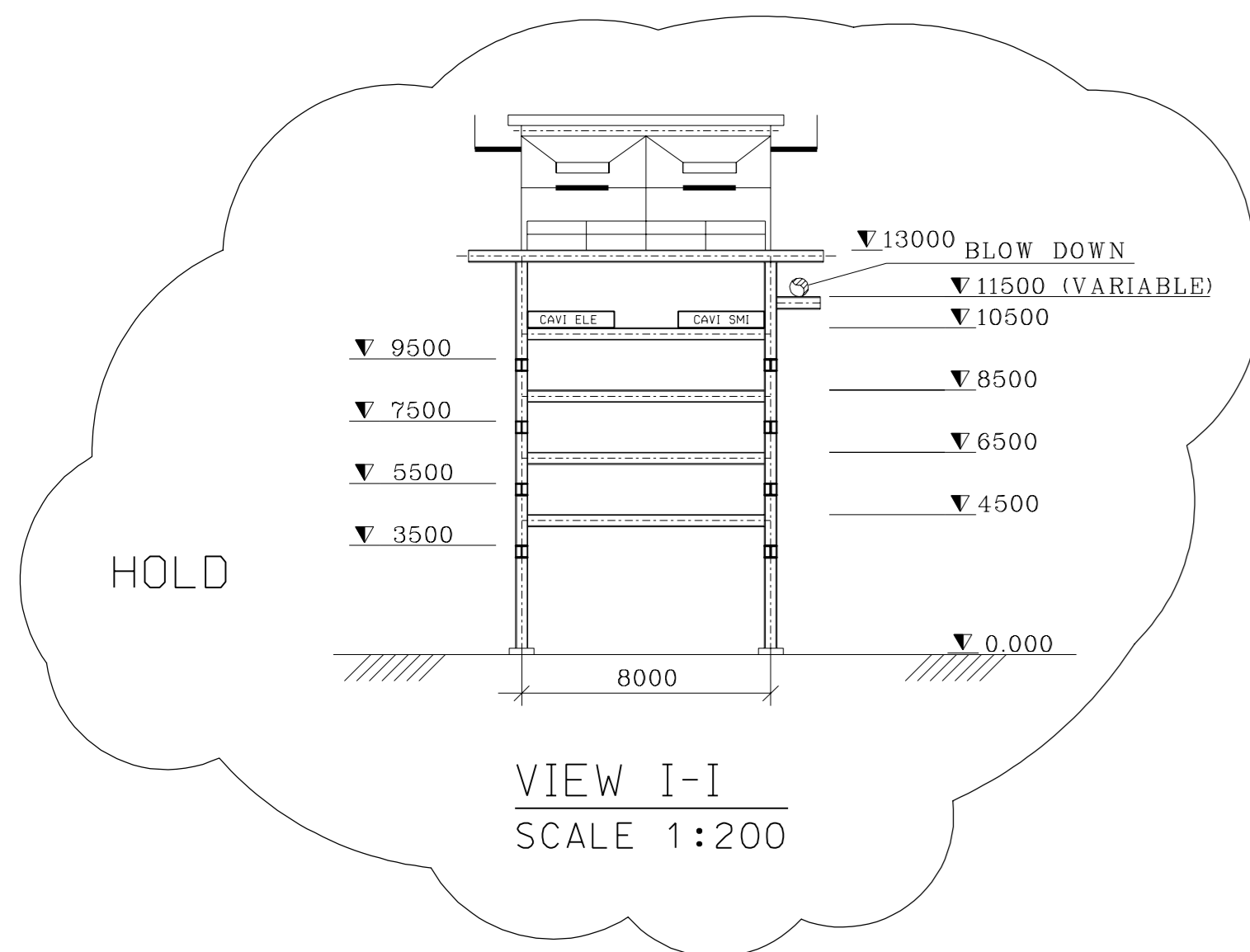
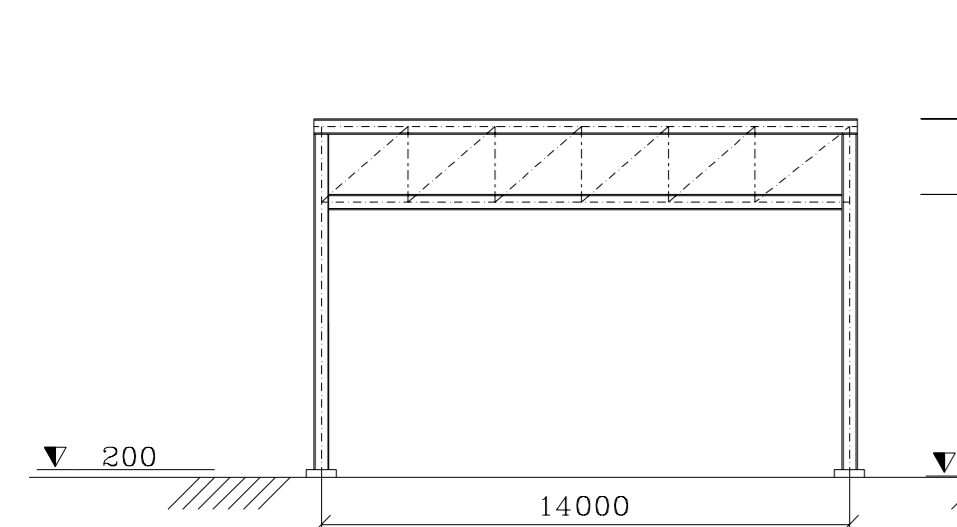


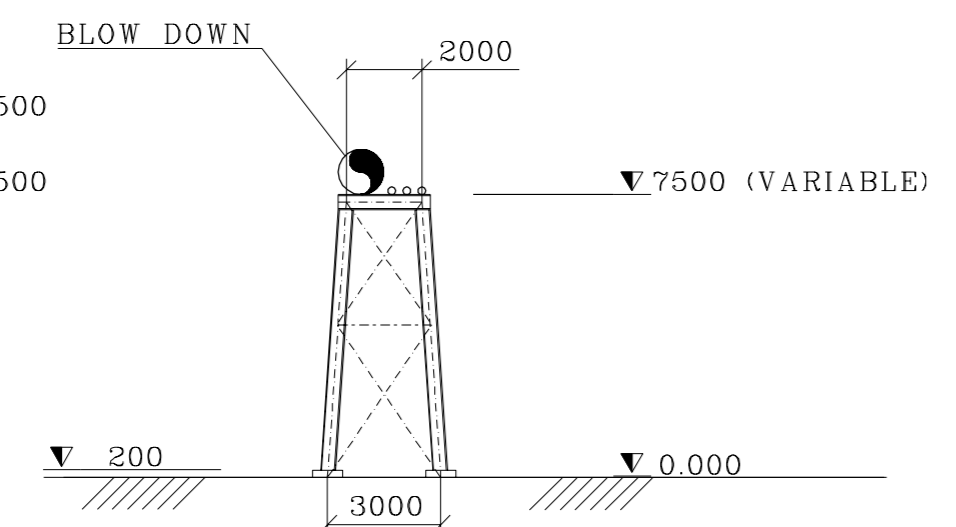
VIEW L-L
SCALE 1:200



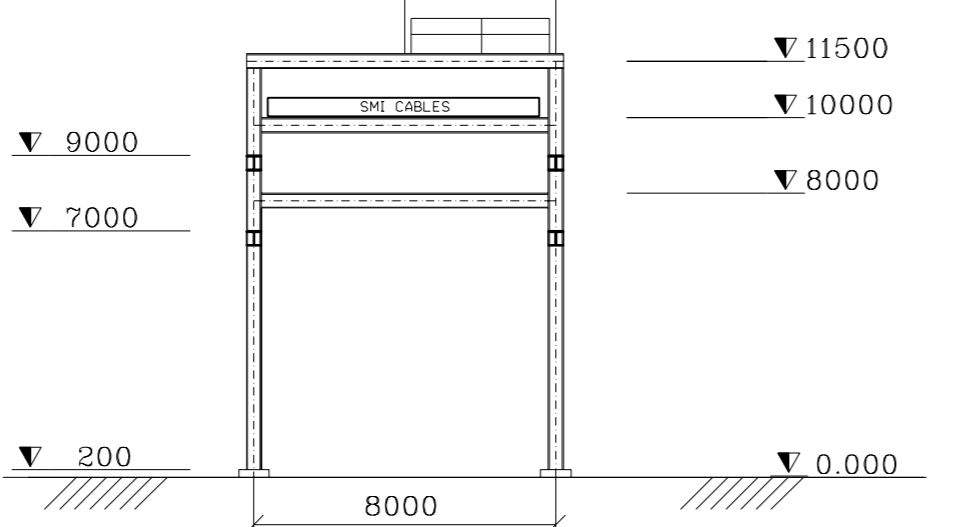
VIEW I-I
SCALE 1:200



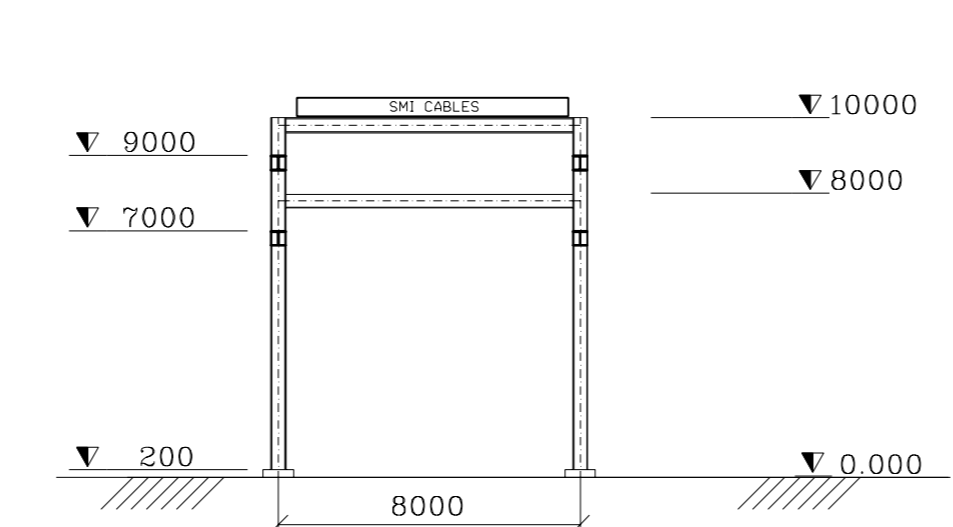
TYPICAL FOR CROSS-ROAD
SCALE 1:200



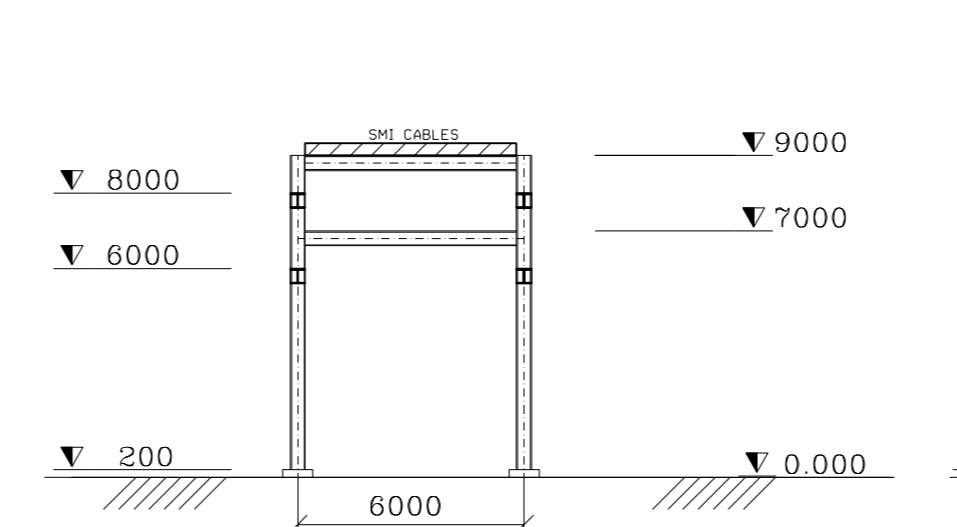
VIEW H-H
SCALE 1:200



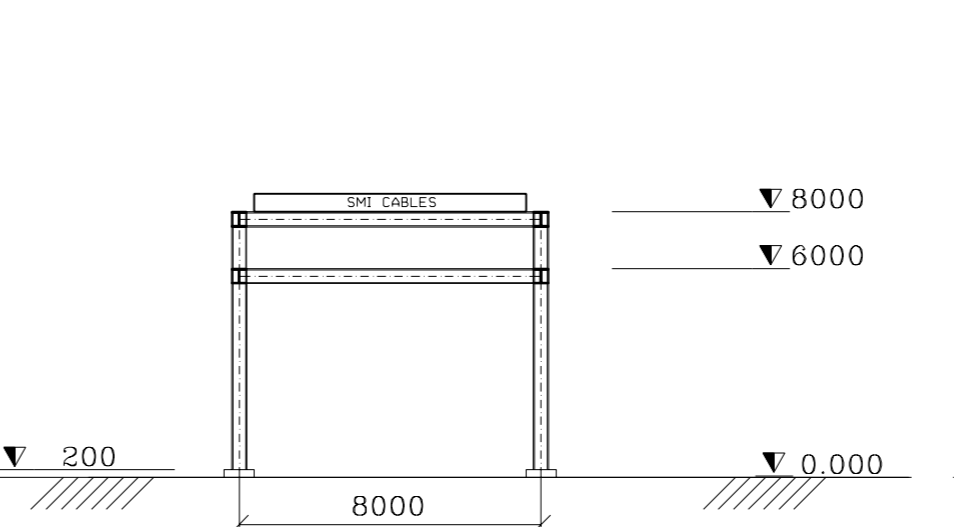
VIEW D-D
SCALE 1:200



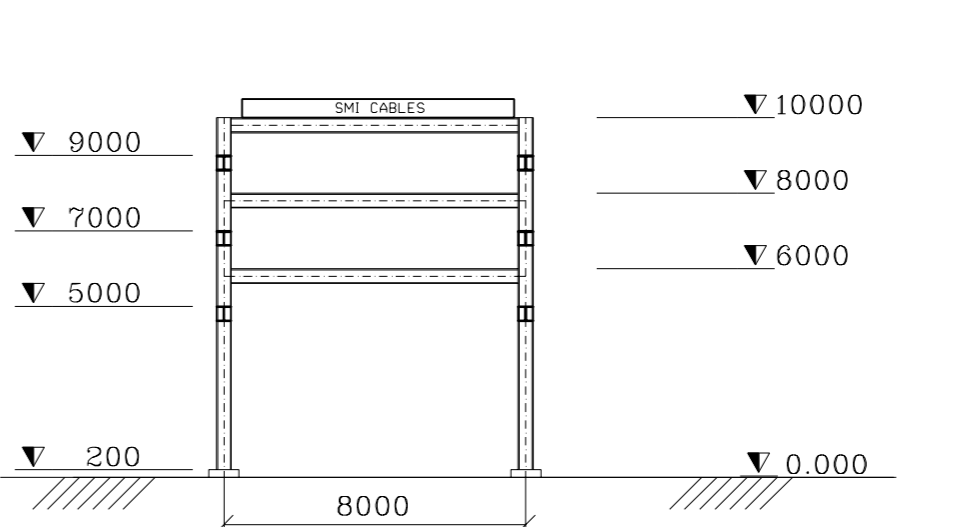
VIEW C-C
SCALE 1:200



VIEW B-B
SCALE 1:200



VIEW G-G
SCALE 1:200



VIEW A-A
SCALE 1:200

LEGEND

- 1 TOPPING AND VACUUM (UNIT 10100/10200)
- 2 GASOL HDS (UNIT 10400)
- 4 MEROX & GPL S. (UNIT 10300)
- 6 COOLING TOWERS (UNIT 10760)
- 9 CONDENSATE RECOVERY SYSTEM (UNIT 10720)
Including the following items:
72-V-001 MC Recovery Drum
72-V-002 LC Recovery Drum
72-E-001 Steam Condenser
72-P-001 A/B LC Condensate Pump
- 10 CONTROL AND TECHNICAL ROOM
- 11 NEW ELECTRIC CABIN
- 12 K.O. DRUM SYSTEM (UNIT 10800)
- 14 DILY WATER SYSTEM FOR TOPPING AND VACUUM / MERDX (UNIT 10790)
Including the following items:
79-S-001 Storm Water Basin For Unit 10100/10200, 10300
79-P-001 A/B
- 15 DIL REMOVAL SYSTEM (UNIT 10790)
Including the following items:
79-PX-001 D11 Removal Package
79-P-004 A/B Decolored Water Pump
79-P-005 A/B D11 Pump
- 16 SPENT CAUSTIC TREATMENT

DRAFT

28	20/07/06	REVISED ...	GIBSON	CISARI
2A	10/07/06	REVISED UNITS AREA AND INCLUDED S.P. COMMENTS	GIBSON	CISARI
2	16/06/06	MODIFIED PLAN UNITS FOR EXISTING BUILDINGS AREA	GIBSON	CISARI
1	30/04/06	ISSUE FOR FEED	BOCCALI	FEDELE
0	09/03/06	ISSUE	BOCCALI	FEDELE
REV.	DATA	DESCRIZIONE	INVENTARI	EMERITANO

Snamprogetti		DIS. N. 00-GB-A-62041
Eni S.p.A. Divisione Refining & Marketing Raffineria di Taranto		Commissa : 315000
TARANTO PLUS REFINERY EXPANSION PROJECT		Foglio 1 di 1
EXTRACTION FROM GENERAL PLOT PLAN		Revisione 1 1 1
		DIS. N°
		Reparto:
		Commissa:
		Revisione:
		Data:
		Unita':
		Scala: 1:2500
		Software: T1
		Software: da

This document is the property of SNAMPROGETTI who will safeguard its right according to the c/d11 and penal provision of law