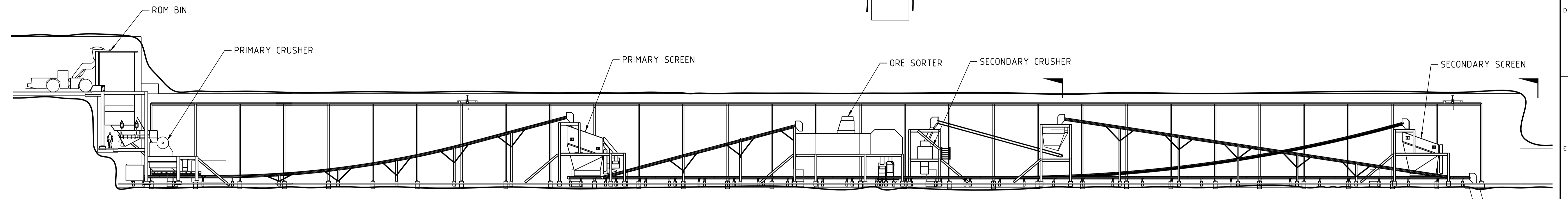
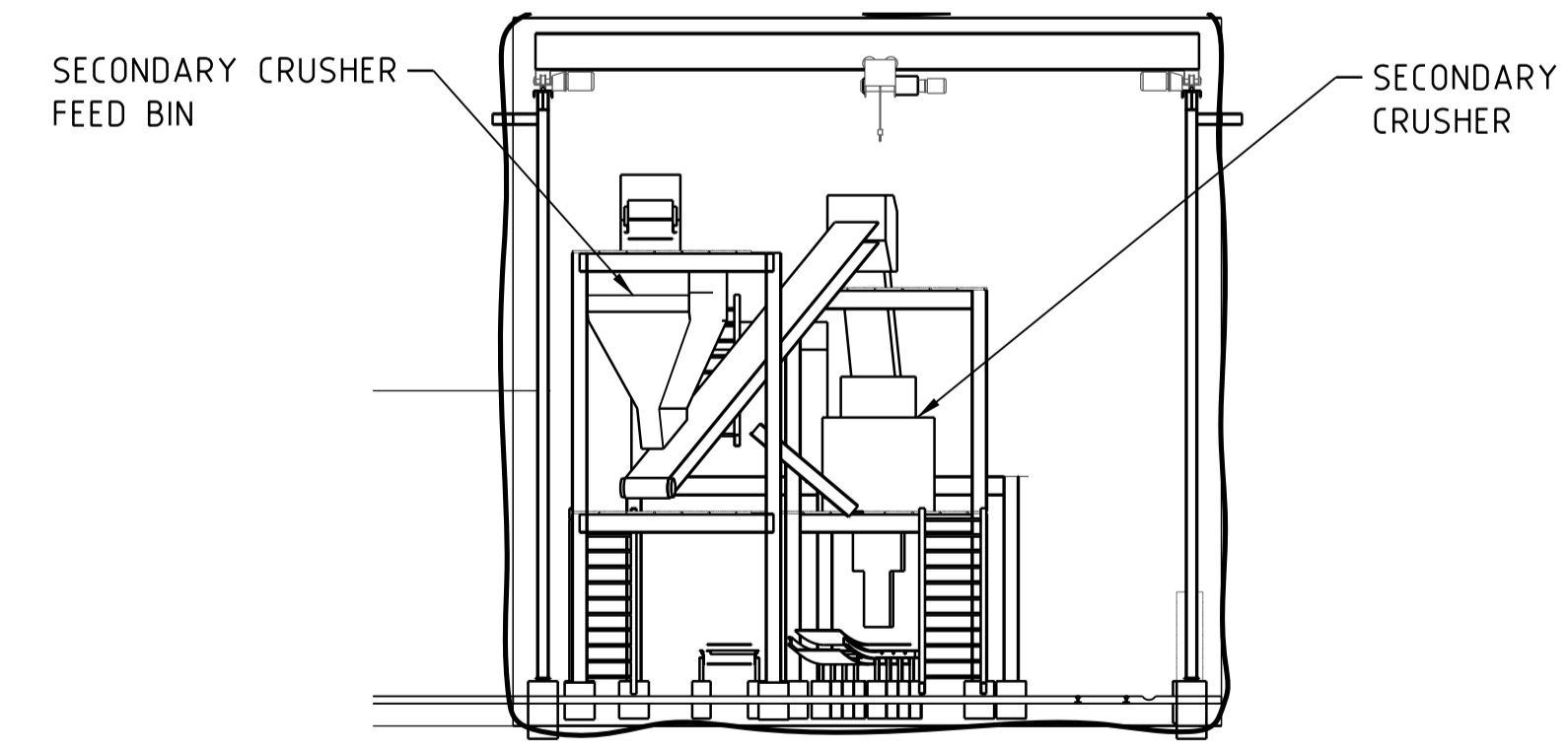
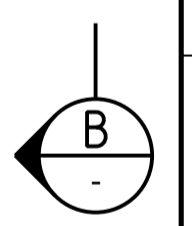
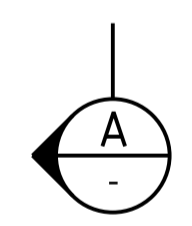


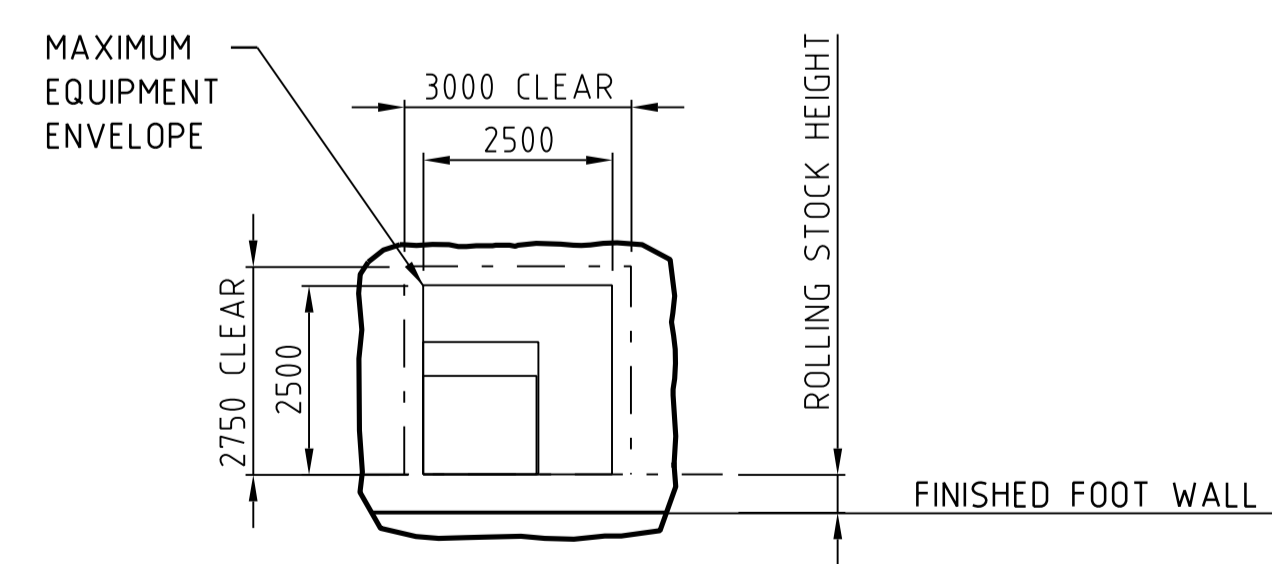
PLAN



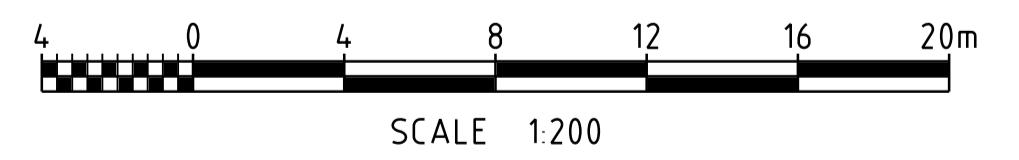
ELEVATION



SECTION A  
1:10



TRANSPORT ENVELOPE  
1:100



DRG No	REFERENCE DRAWNGS	REV	DATE	DESCRIPTION	DRN	CHK'D	DESIGN ENG.	LEAD ENG.	DESIGN APP'D	PROJ. APP'D	CLIENT APP'D
XX	XXX	B	02NOV18	ISSUED FOR STUDY	TJJ		JS		RS		
		A	26OCT18	ISSUED FOR REVIEW	EL		JS		RS		

CLIENT ALTA ZINC LIMITED  
PROJECT GORNO ZINC PROJECT

**Lycopodium**  
Lycopodium Minerals Pty Ltd ABN: 34 055 880 209  
Level 5, 1 Adelaide Terrace, East Perth, Western Australia 6004  
T: +61(0) 8 6210 5222 www.lycopodium.com.au

This drawing and its contents are confidential, are subject to return on demand and may not be copied or disclosed to any third party or used directly or indirectly for any other purpose than as determined in writing by Lycopodium Minerals Pty Ltd.



DRAWN	CHECKED	DESIGN ENG.	LEAD ENG.	DESIGN APP'D	PROJ. APP'D	CLIENT APP'D
DRAWING TITLE		JOB No.		DRG No.		REV.
TREATMENT PLANT GENERAL UNDERGROUND FEED PREPARATION EXCAVATIONS PLAN AND ELEVATIONS		2039		110-GD-001		B
SCALE 1:200		DATE 23OCT18				