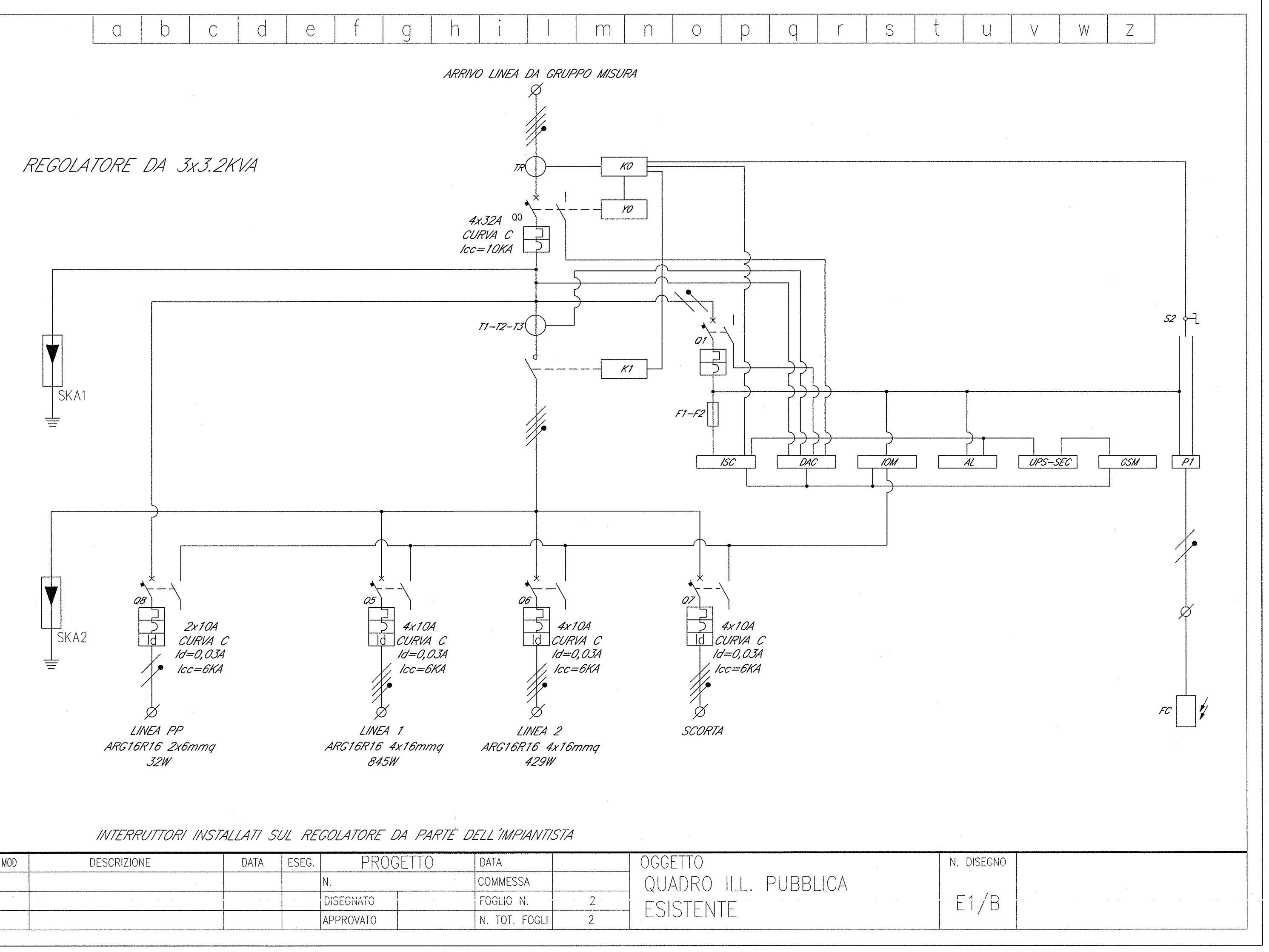


Table with columns 'DESCRIZIONE' and 'CODICE' listing various technical references and codes.

DATI GENERALI QUADRO ELETTRICO. Includes technical specifications like current, protection level, dimensions, and a table for meter data.



LEGENDA SIMBOLI DEL QUADRO ELETTRICO. Legend table mapping symbols to components like breakers, fuses, and protection devices.

Administrative section including logos for RFI and Italferr, project details like 'INFRASTRUTTURE FERROVIARIE STRATEGICHE', and a table of revision history.