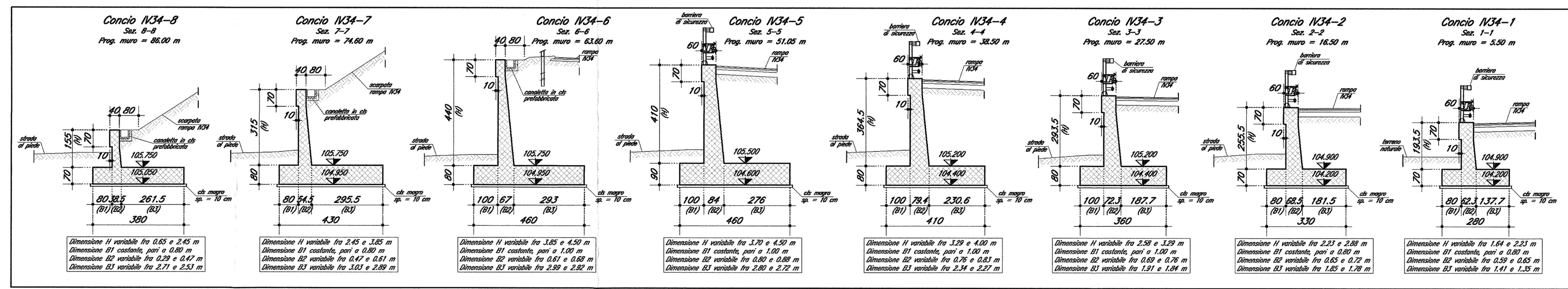
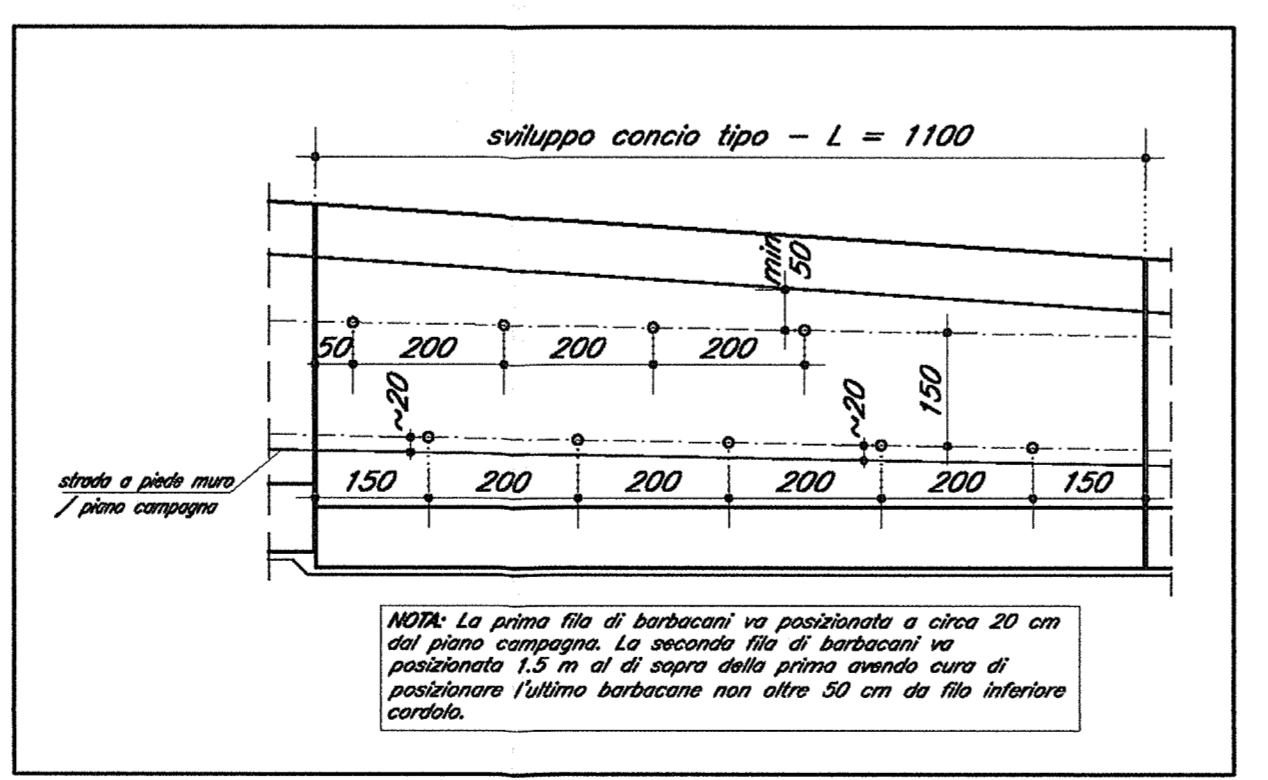


SEZIONI TRASVERSALI MURO
SCALA 1:100

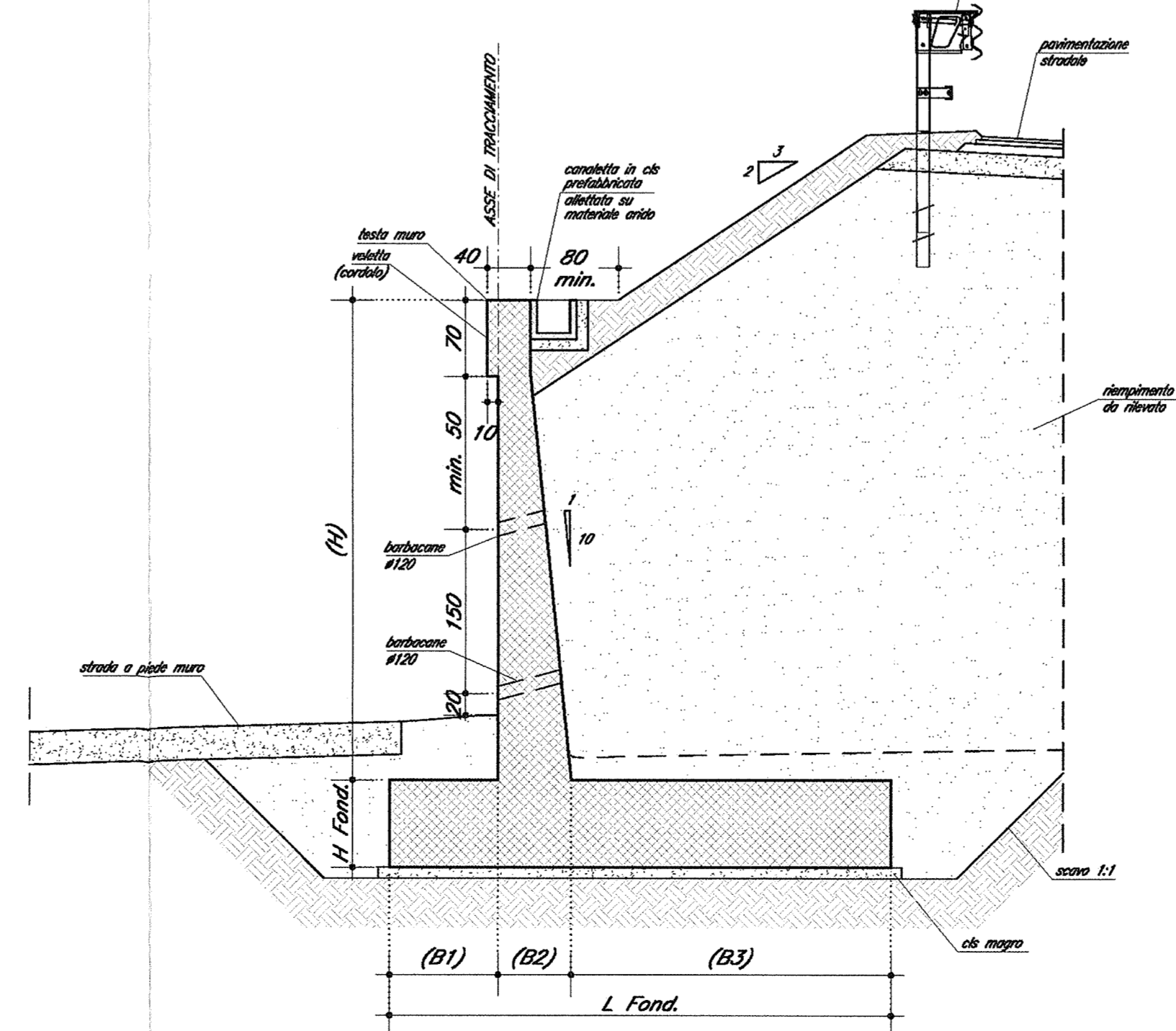
Table with columns for points (1-7), coordinates (X, Y), and elevation (Z). It lists the coordinates for various points along the wall.



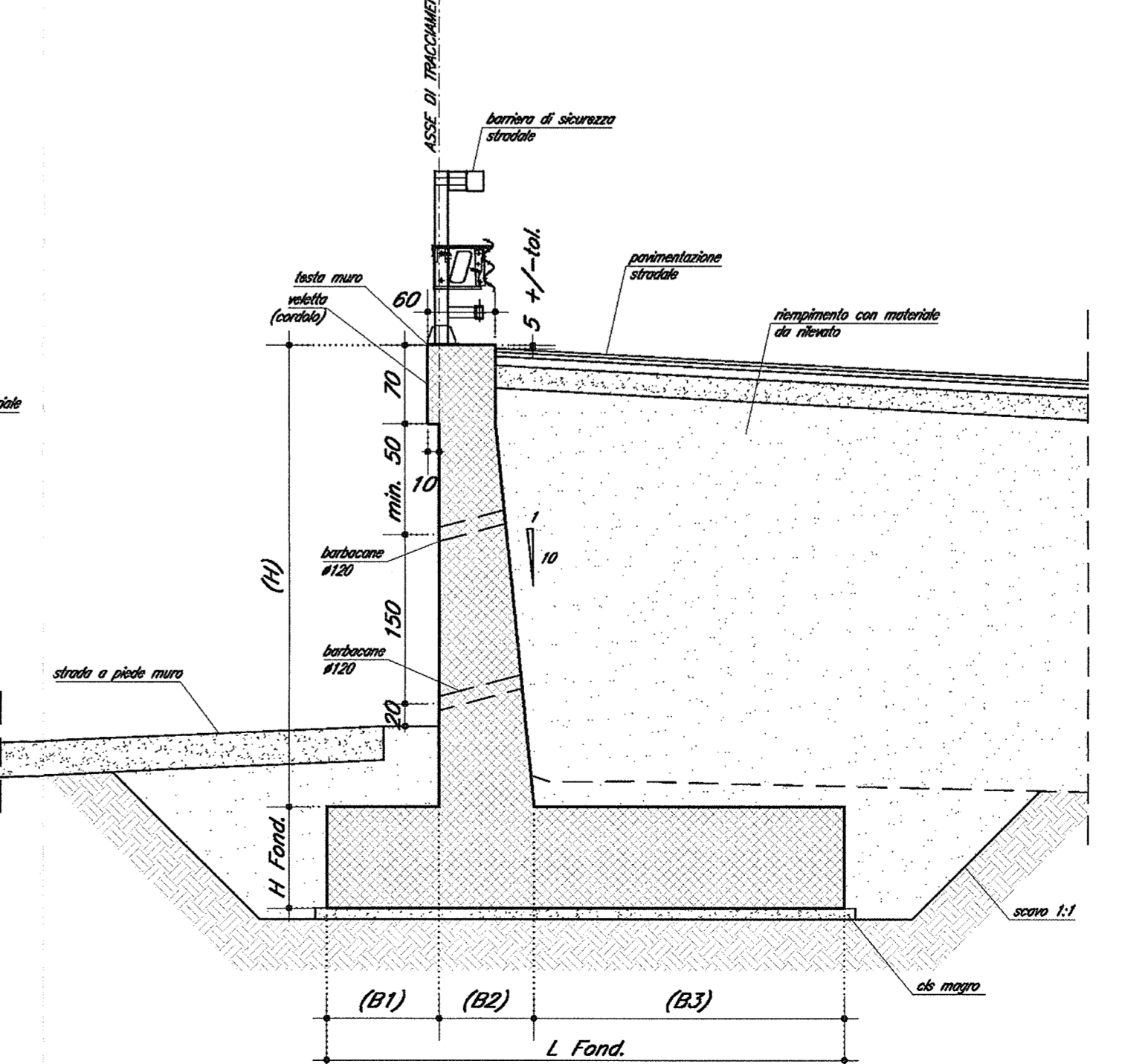
SCHEMA POSIZIONAMENTO BARBACANI
SCALA 1:100



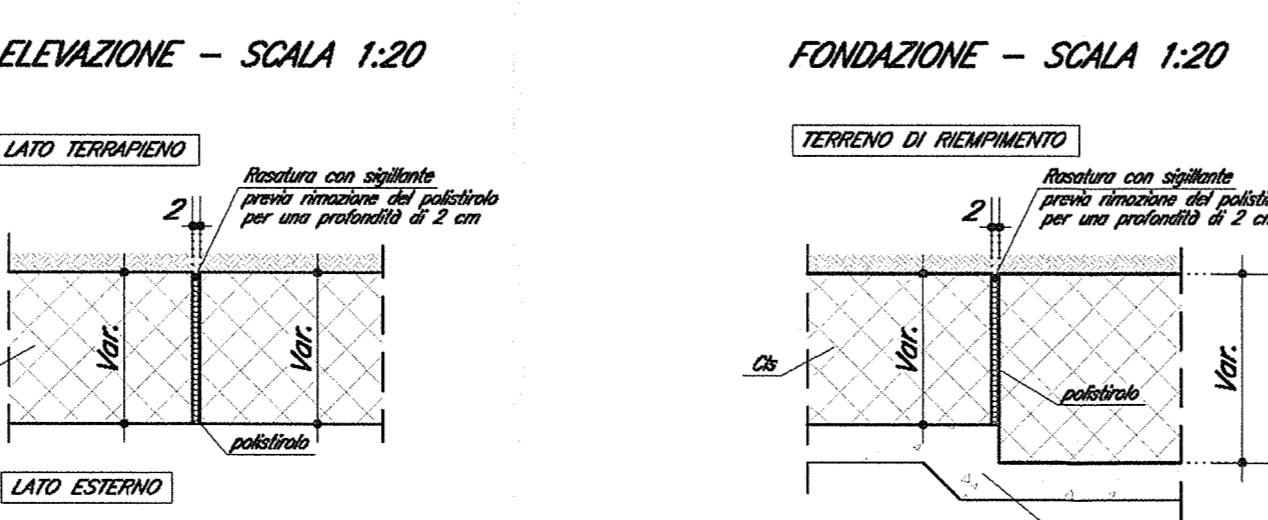
SEZIONE TRASVERSALE TIPICA
MURO DI SOTTOSCARPA - SCALA 1:50



SEZIONE TRASVERSALE TIPICA
MURO DI SOSTEGNO - SCALA 1:50



DETTAGLIO GIUNTI FRA CONCI
ELEVAZIONE - SCALA 1:20



FONDAZIONE - SCALA 1:20

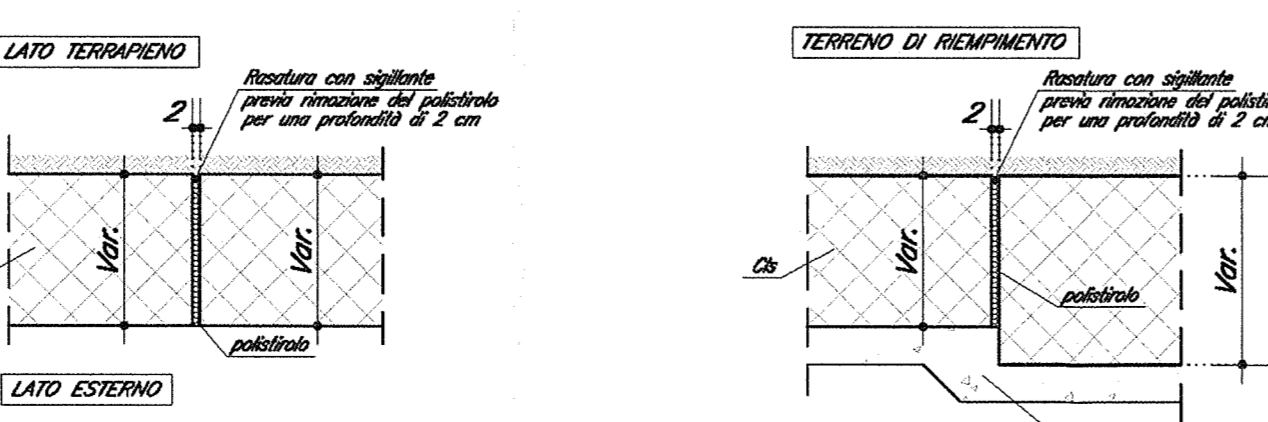


Table of reference documents with columns for description and code. It lists various technical specifications and standards used in the project.

NOTE GENERALI

General notes regarding the representation of the wall profile, measurement units, and coordinate systems.

Project information block including: COMMITTEE (RFI), GENERAL CONTRACTOR (Cepav due), PROJECT LOCATION (IV34 - CAVALCAFERROVIA VIA GREZZE), and a table for project phases and dates.