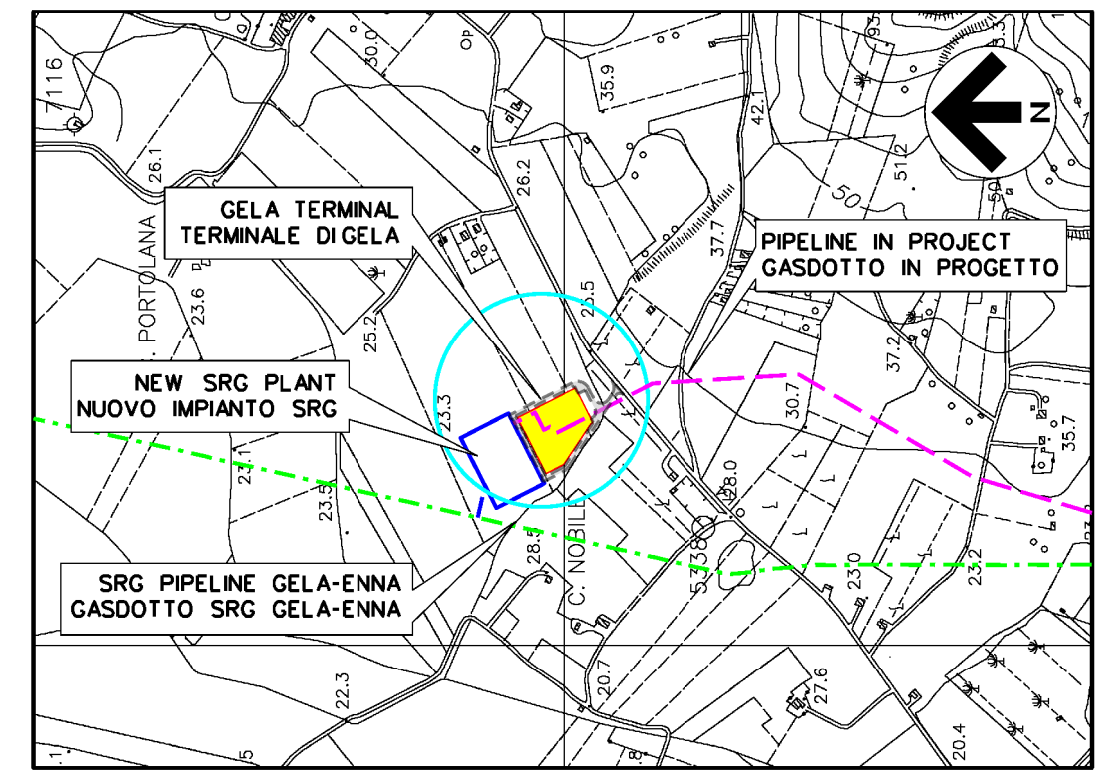


REFERENCE DOCUMENTS/DOCUMENTI DI RIFERIMENTO	N
ELECTRICAL CONTROL BUILDING FOR GELA TERM. EDIFICIO DI CONTROLLO ELETTRICO TERMINALE DIGELA	10-DT-D-5517
TYPICAL DRAWINGS FOR PLANT FENCE / PARTICOLARI COSTRUTTIVI RECINZIONE	10-DT-D-5515
TYPICAL DRAWINGS FOR PLANT ACCESS ROAD / SEZIONI TIPO PER STRADE DI ACCESSO IMPIANTI	10-DT-D-5516

LEGEND/LEGENDA

- PIPELINE IN PROJECT ABOVEGROUND/GASDOTTO IN PROGETTO FUORITERRA
- - - - - PIPELINE IN PROJECT UNDERGROUND/GASDOTTO IN PROGETTO INTERRATO
- PIPING IN PROJECT OVERGROUND/TUBAZIONI IN PROGETTO FUORI TERRA
- - - - - PIPING IN PROJECT UNDERGROUND/TUBAZIONI IN PROGETTO INTERRATE
- EQUIPMENTS IN PROJECT/ APPARECCHIATURE IN PROGETTO
- CIVIL WORKS IN PROJECT/OPERE CIVILI IN PROGETTO
- GREEN AREA FOR PLANT VISUAL MITIGATION / AREA VERDE PER MITIGAZIONE VISIVA IMPIANTO
- GAS FLOW DIRECTION
DIREZIONE DEL GAS
- FLOW METERS
MISURATORI DI FLUSSO
- CHECK VALVE
VALVOLA DI NON RITORNO
- BLOCK VALVE
VALVOLA DI INTERCETTAZIONE



ROUTE MAP/COROGRAFIA 1:10000
SHEET/FOGLIO C.T.R. F.643120

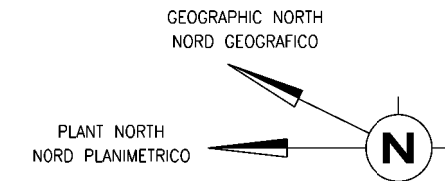
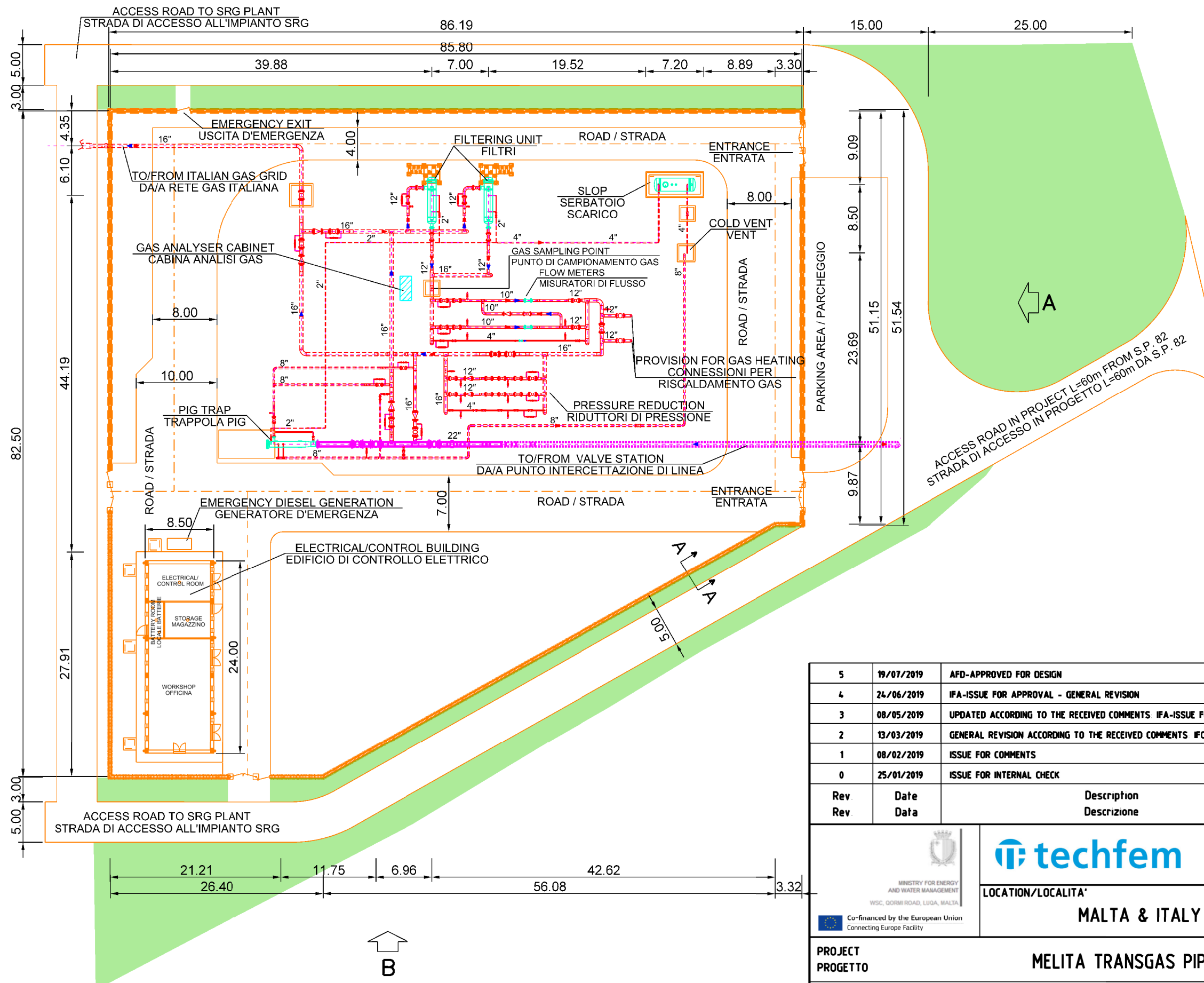
The sole responsibility of this publication lies with the author. The European Union is not responsible for any use that may be made of the information contained therein.

Rev	Date	Description	Prepared	Checked	Approved
Rev	Data	Descrizione	Preparato	Verificato	Approvato
5	19/07/2019	AFD-APPROVED FOR DESIGN	D BARUCCA	G AIUDI	A PATERNIANI
4	24/06/2019	IFA-ISSUE FOR APPROVAL - GENERAL REVISION	D BARUCCA	G AIUDI	A PATERNIANI
3	08/05/2019	UPDATED ACCORDING TO THE RECEIVED COMMENTS IFA-ISSUE FOR APPROVAL	D BARUCCA	G AIUDI	A PATERNIANI
2	13/03/2019	GENERAL REVISION ACCORDING TO THE RECEIVED COMMENTS IFC-ISSUE FOR COMMENTS	D BARUCCA	G AIUDI	A PATERNIANI
1	08/02/2019	ISSUE FOR COMMENTS	D BARUCCA	G AIUDI	A PATERNIANI
0	25/01/2019	ISSUE FOR INTERNAL CHECK	D BARUCCA	G AIUDI	A PATERNIANI

 MINISTRY FOR ENERGY AND WATER MANAGEMENT <small>WSC, GORMI ROAD, LUQA, MALTA</small> Co-financed by the European Union Connecting Europe Facility	 LOCATION/LOCALITA' MALTA & ITALY	CONTRACT N. CT 3108/2018	JOB Comessa 171001
		Document No / N Documento 20-DT-D-5560	
PROJECT PROGETTO	MELITA TRANSGAS PIPELINE	REVISION REVISIONE	5
DOCUMENT TITLE TITOLO DEL DOCUMENTO	ITALY GELA TERMINAL - GENERAL LAYOUT DRAWING TERMINALE DI GELA - PLANIMETRIA E PROSPETTI	SHEET/FG	1 OF/DI 3
		SCALE/SCALA	

ALL DIMENSION ARE IN METERS (m)
TUTTE LE DIMENSIONI SONO IN METRI (m)

REFERENCE DOCUMENTS/DOCUMENTI DI RIFERIMENTO	N
ELECTRICAL CONTROL BUILDING FOR GELA TERM / EDIFICIO DI CONTROLLO ELETTRICO TERMINALE DI GELA	10-DT-D-5517
TYPICAL DRAWINGS FOR PLANT FENCE / PARTICOLARI COSTRUTTIVI RECINZIONE	10-DT-D-5515
TYPICAL DRAWINGS FOR PLANT ACCESS ROAD / SEZIONI TIPO PER STRADE DI ACCESSO IMPIANTI	10-DT-D-5516



PLAN VIEW SCALE 1:500
PLANIMETRIA SCALA 1:500

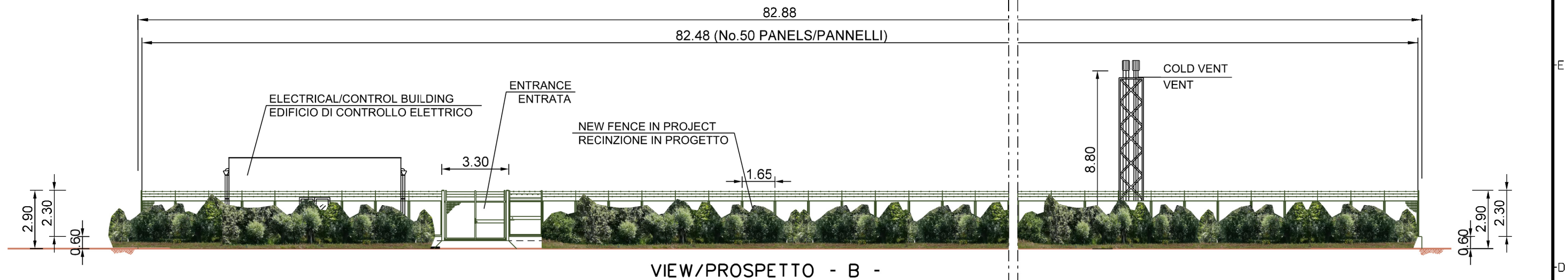
The sole responsibility of this publication lies with the author. The European Union is not responsible for any use that may be made of the information contained therein.

5	19/07/2019	AFD-APPROVED FOR DESIGN	D BARUCCA	G AIUDI	A PATERNIANI
4	24/06/2019	IFA-ISSUE FOR APPROVAL - GENERAL REVISION	D BARUCCA	G AIUDI	A PATERNIANI
3	08/05/2019	UPDATED ACCORDING TO THE RECEIVED COMMENTS IFA-ISSUE FOR APPROVAL	D BARUCCA	G AIUDI	A PATERNIANI
2	13/03/2019	GENERAL REVISION ACCORDING TO THE RECEIVED COMMENTS IFC-ISSUE FOR COMMENTS	D BARUCCA	G AIUDI	A PATERNIANI
1	08/02/2019	ISSUE FOR COMMENTS	D BARUCCA	G AIUDI	A PATERNIANI
0	25/01/2019	ISSUE FOR INTERNAL CHECK	D BARUCCA	G AIUDI	A PATERNIANI
Rev	Date	Description	Prepared	Checked	Approved
Rev	Data	Descrizione	Preparato	Verificato	Approvato

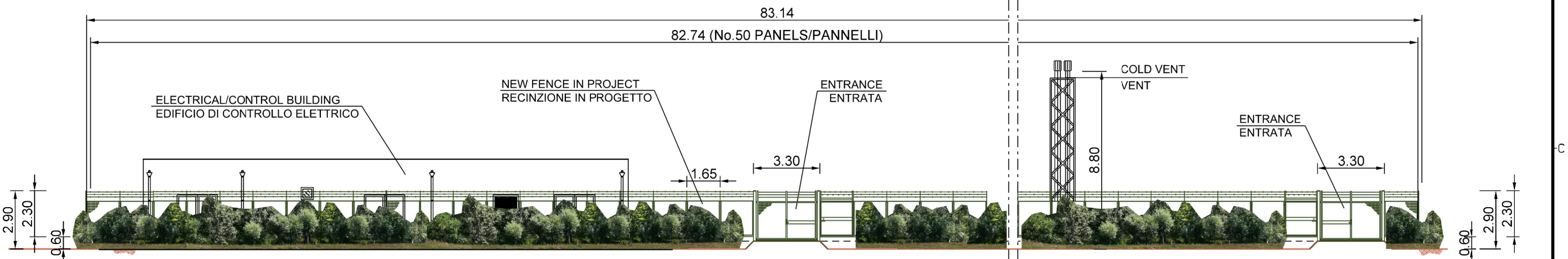
		CONTRACT N. CT 3108/2018	JOB Comessa 171001
	LOCATION/LOCALITA' MALTA & ITALY		Document No / N Documento 20-DT-D-5560
PROJECT PROGETTO	MELITA TRANSGAS PIPELINE		REVISION REVISIONE 5
DOCUMENT TITLE TITOLO DEL DOCUMENTO	ITALY GELA TERMINAL - GENERAL LAYOUT DRAWING TERMINALE DI GELA - PLANIMETRIA E PROSPETTI		SHEET/FG 2 OF/DI 3
			SCALE/SCALA 1:500

ALL DIMENSION ARE IN METERS (m)
TUTTE LE DIMENSIONI SONO IN METRI (m)

REFERENCE DOCUMENTS/DOCUMENTI DI RIFERIMENTO	N
ELECTRICAL CONTROL BUILDING FOR GELA TERM / EDIFICIO DI CONTROLLO ELETTRICO TERMINALE DI GELA	10-DT-D-5517
TYPICAL DRAWINGS FOR PLANT FENCE / PARTICOLARI COSTRUTTIVI RECINZIONE	10-DT-D-5515
TYPICAL DRAWINGS FOR PLANT ACCESS ROAD / SEZIONI TIPO PER STRADE DI ACCESSO IMPIANTI	10-DT-D-5516

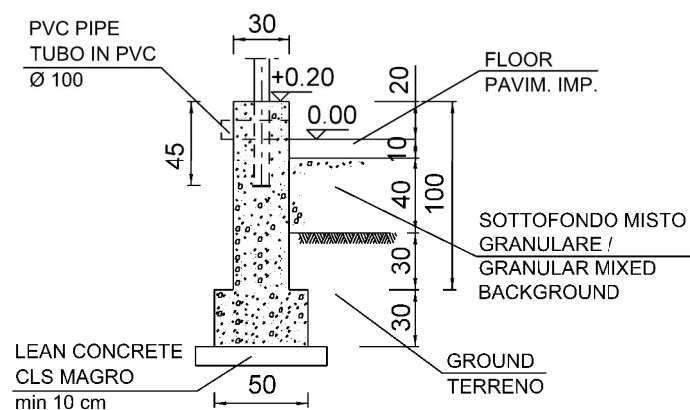


VIEW/PROSPETTO - B -



VIEW/PROSPETTO - A -

VIEWS SCALE 1:200
PROSPETTI SCALA 1:200



SECTION/SEZIONE A-A
SCALE/SCALA 1:50
(dimensions in cm/dimensioni in cm)
FENCE WALL DETAIL
PARTICOLARE MURETTO DI RECINZIONE

ALL DIMENSION ARE IN METERS (m)
TUTTE LE DIMENSIONI SONO IN METRI (m)

5	19/07/2019	AFD-APPROVED FOR DESIGN	D BARUCCA	G AIUDI	A PATERNIANI
4	24/06/2019	IFA-ISSUE FOR APPROVAL - GENERAL REVISION	D BARUCCA	G AIUDI	A PATERNIANI
3	08/05/2019	UPDATED ACCORDING TO THE RECEIVED COMMENTS IFA-ISSUE FOR APPROVAL	D BARUCCA	G AIUDI	A PATERNIANI
2	13/03/2019	REVISED ACCORDING TO THE RECEIVED COMMENTS IFC-ISSUE FOR COMMENTS	D BARUCCA	G AIUDI	A PATERNIANI
1	08/02/2019	ISSUE FOR COMMENTS	D BARUCCA	G AIUDI	A PATERNIANI
0	25/01/2019	ISSUE FOR INTERNAL CHECK	D BARUCCA	G AIUDI	A PATERNIANI
Rev	Date	Description	Prepared	Checked	Approved
Rev	Data	Descrizione	Preparato	Verificato	Approvato
				CONTRACT N. CT 3108/2018	JOB Comessa 171001
		LOCATION/LOCALITA' MALTA & ITALY	Document No / N Documento 20-DT-D-5560		
PROJECT PROGETTO		MELITA TRANSGAS PIPELINE	REVISION REVISIONE	5	
DOCUMENT TITLE TITOLO DEL DOCUMENTO		ITALY GELA TERMINAL - GENERAL LAYOUT DRAWING TERMINALE DI GELA - PLANIMETRIA E PROSPETTI	SHEET/FG	3	OF/DI 3
			SCALE/SCALA	1:200	

The sole responsibility of this publication lies with the author. The European Union is not responsible for any use that may be made of the information contained therein.